

## REPAIR SHEET

BRAND

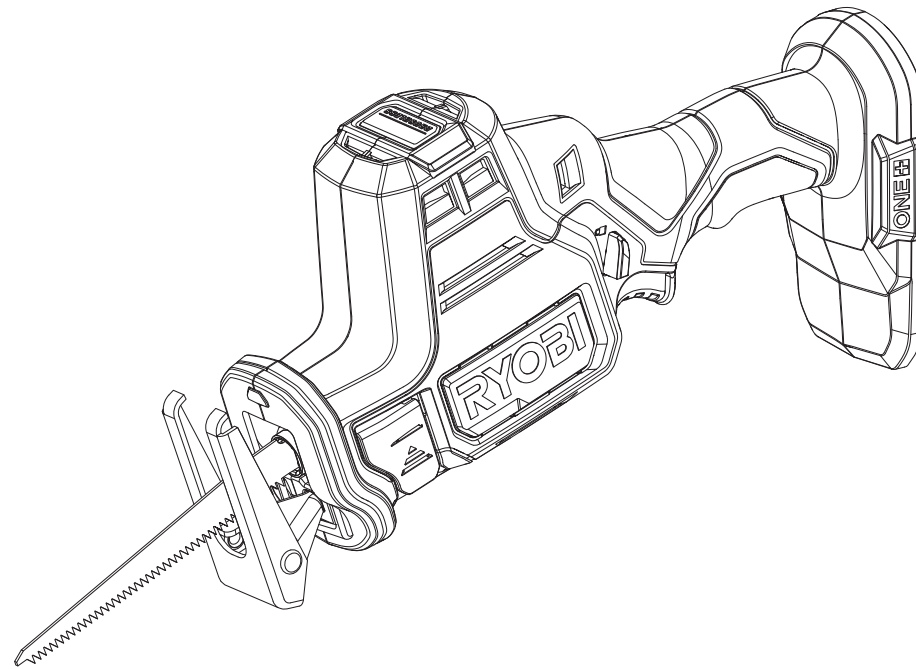
**RYOBI**

DESCRIPTION

# 18 Volt Reciprocating Saw

MODEL NO.

**PSBRS01**

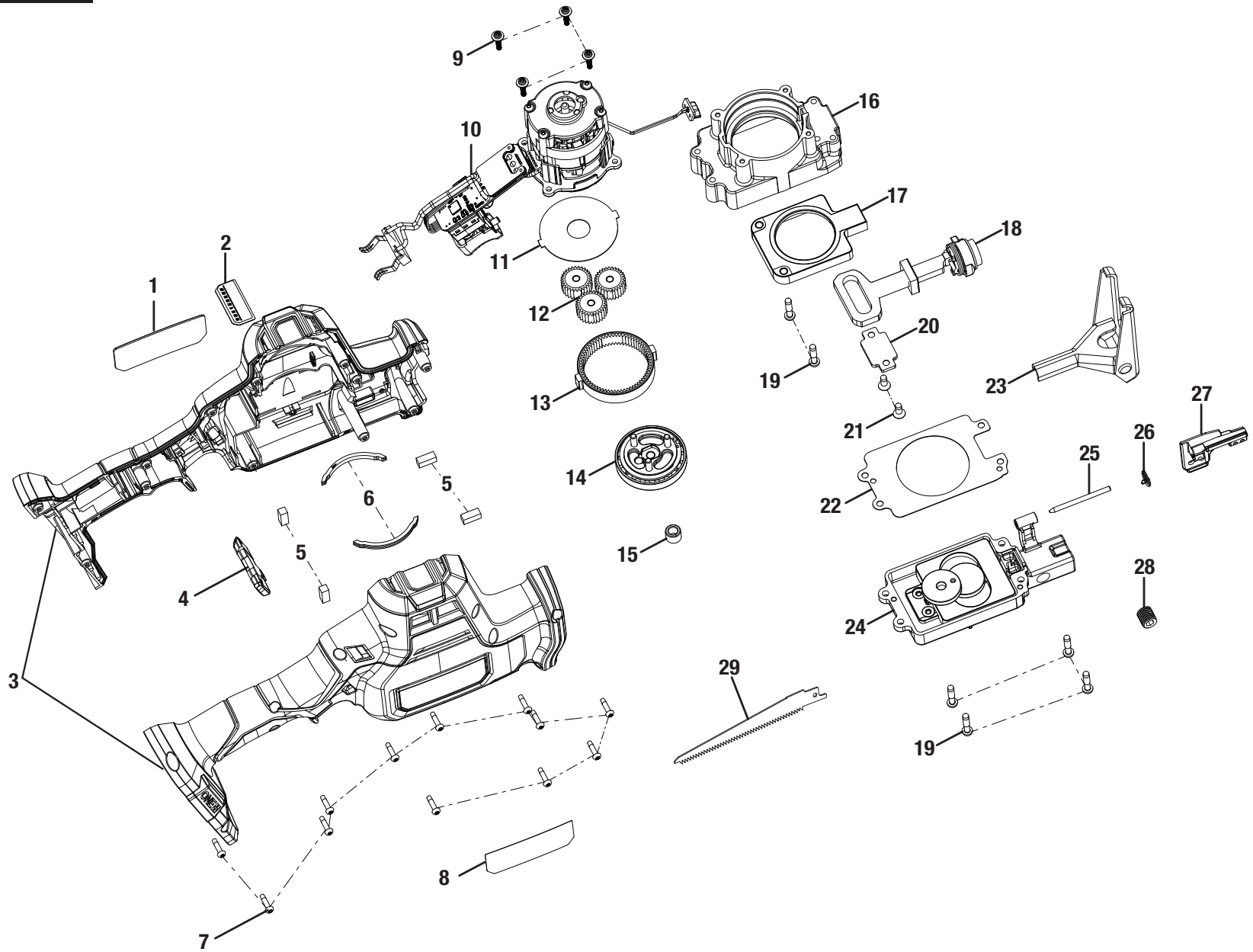


**ONE WORLD TECHNOLOGIES, INC.**

P.O. Box 1288, Anderson, SC 29622 ■ 1-800-525-2579 ■ [www.ryobitools.com](http://www.ryobitools.com)

8-3-23 (Rev:03)

*The model number and manufacturing location will be found on a label attached to the product. Always mention this information in all communications regarding this product and when ordering parts.*



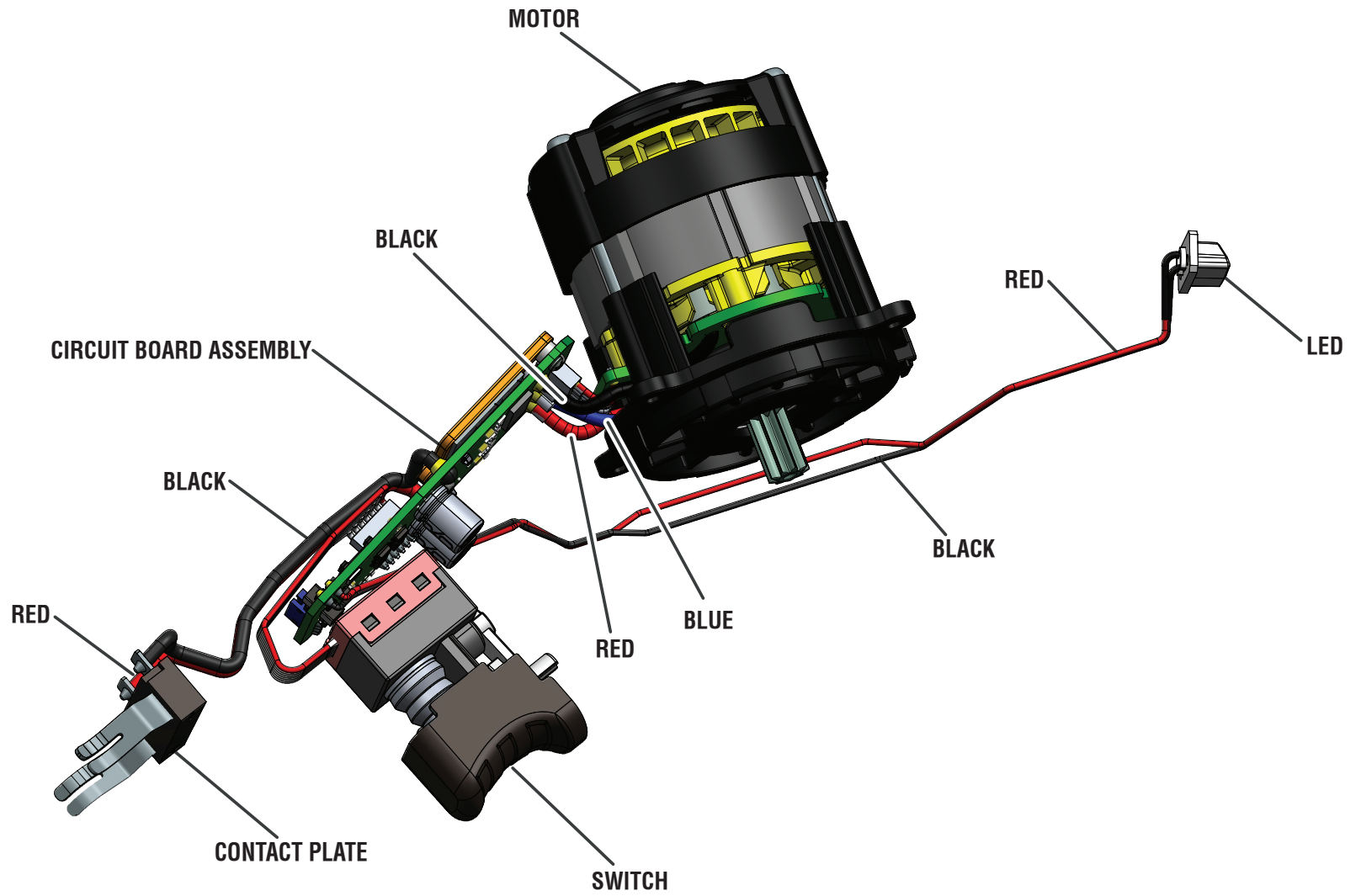


PSBRS01

PARTS LIST

KEY NO.	PART NO.	DESCRIPTION	QTY.
1	565721001	Logo Label	1
2	565722001	Rear Logo Label	1
3	204147002	Housing Assembly (Inc. Key Nos. 1-2 & 8)	1
4	330256002	Lock-Off Button	1
5	565717001	Rubber Pad	4
6	565725001	Rubber Wedge	2
7	660570005	Screw (M3 x 14 mm, Pan Hd.)	12
8	941123031	Data Label	1
9	661443001	Screw (M3 x 15 mm, T20 Torx Pan Hd.)	4
10	206147003	Switch and Motor Assembly	1
11	633331001	Washer (OD51.5 x ID15 x 0.5t)	1
12	T611189001	Planet Gear	3
13	T611188001	Ring Gear	1
14	204147003	Carrier Assembly	1
15	698741001	Bushing (OD10 x ID6 x 8 mm)	1
16	644160001	Lower Case	1

KEY NO.	PART NO.	DESCRIPTION	QTY.
17	614630001	Sliding Bushing	1
18	316359001	Output and Clamp Assembly	1
19	661171001	Screw (M4 x 17 mm, T20 Torx Pan Hd.)	6
20	659250001	Plate Cover	1
21	661177001	Screw (M4 x 17 mm)	2
22	659253003	Washer (OD85 x ID50 x 0.5t)	1
23	300216067	Shoe	1
24	204147004	Counter Balance Assembly	1
25	674139001	Pin	1
26	690475001	Torsion Spring	1
27	316377001	Release Lever	1
28	660170001	Screw (M10 x 10 mm, Pan Hd.)	1
29	690347002	Wood Cutting Blade	1
	<b>Not Shown:</b>		
	998000176	Operator's Manual	



**WIRING DIAGRAM**