



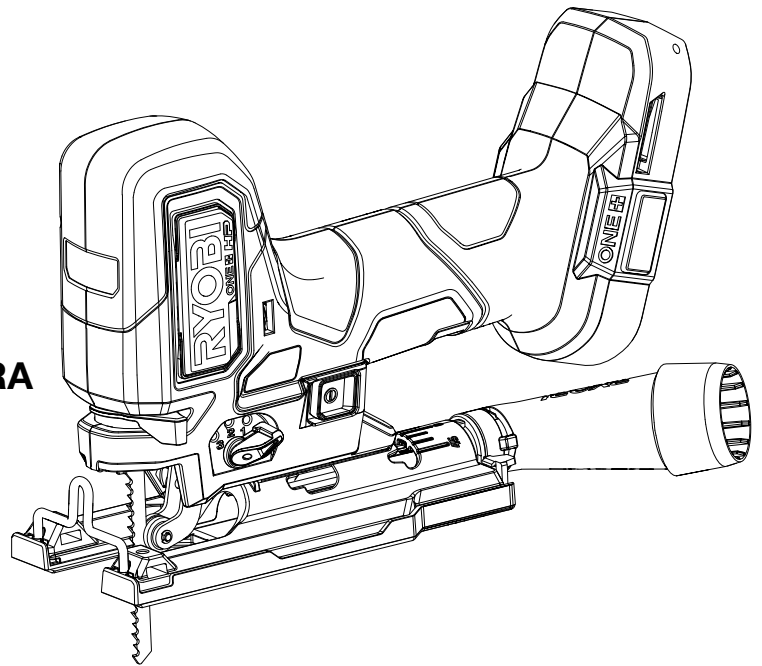
# OPERATOR'S MANUAL

MANUEL D'UTILISATION  
MANUAL DEL OPERADOR

## ONE+ 18V BRUSHLESS COMPACT BARREL GRIP JIG SAW

SCIE SAUTEUSE À POIGNÉE  
POMMEAU DE COMPACT SANS  
BALAI DE 18 V DE ONE+  
SIERRA DE VAIVÉN CON EMPUÑADURA  
DE BARRIL DE COMPACTO SIN  
ESCOBILLAS DE ONE+ 18 V

PSBJS01



### TABLE OF CONTENTS

- General Power Tool Safety Warnings..... 2-3
- Jig Saw Safety Warnings..... 3-4
- Symbols..... 4-5
- Features..... 5
- Assembly..... 5
- Operation..... 6-9
- Maintenance..... 10
- Illustrations..... 11-13
- Parts Ordering / Service..... Back Page

### TABLE DES MATIÈRES

- Règles de sécurité générales relatives aux outils électriques..... 2-3
- Avertissements de sécurité relatifs scie sauteuse..... 4
- Symboles..... 5
- Caractéristiques..... 5
- Assemblage..... 6
- Utilisation..... 6-9
- Entretien..... 10
- Illustrations..... 11-13
- Commande de pièces/dépannage.....Page arrière

### ÍNDICE DE CONTENIDO

- Advertencias de seguridad generales para la herramienta eléctrica..... 2-3
- Advertencias de seguridad sierra de vaivén..... 4
- Símbolos..... 5
- Características..... 5
- Armado..... 5
- Funcionamiento..... 6-9
- Mantenimiento..... 10
- Ilustraciones..... 11-13
- Pedidos de repuestos/servicio..... Pág. posterior

**⚠ WARNING:** To reduce the risk of injury, the user must read and understand the operator's manual before using this product.

**⚠ AVERTISSEMENT :** Pour réduire les risques de blessures, l'utilisateur doit lire et veiller à bien comprendre le manuel d'utilisation avant d'employer ce produit.

**⚠ ADVERTENCIA:** Para reducir el riesgo de lesiones, el usuario debe leer y comprender el manual del operador antes de usar este producto.

**SAVE THIS MANUAL FOR  
FUTURE REFERENCE**

**CONSERVER CE MANUEL  
POUR FUTURE RÉFÉRENCE**

**GUARDE ESTE MANUAL  
PARA FUTURAS CONSULTAS**

# GENERAL POWER TOOL SAFETY WARNINGS

## WARNING

Read all safety warnings, instructions, illustrations and specifications provided with this power tool. Failure to follow all instructions listed below may result in electric shock, fire and/or serious injury.

Save all warnings and instructions for future reference. The term “power tool” in the warnings refers to your mains-operated (corded) power tool or battery-operated (cordless) power tool.

## WORK AREA SAFETY

- **Keep work area clean and well lit.** Cluttered or dark areas invite accidents.
- **Do not operate power tools in explosive atmospheres, such as in the presence of flammable liquids, gases or dust.** Power tools create sparks which may ignite the dust or fumes.
- **Keep children and bystanders away while operating a power tool.** Distractions can cause you to lose control.

## ELECTRICAL SAFETY

- **Power tool plugs must match the outlet. Never modify the plug in any way. Do not use any adapter plugs with earthed (grounded) power tools.** Unmodified plugs and matching outlets will reduce risk of electric shock.
- **Avoid body contact with earthed or grounded surfaces, such as pipes, radiators, ranges and refrigerators.** There is an increased risk of electric shock if your body is earthed or grounded.
- **Do not expose power tools to rain or wet conditions.** Water entering a power tool will increase the risk of electric shock.
- **Do not abuse the cord. Never use the cord for carrying, pulling or unplugging the power tool. Keep cord away from heat, oil, sharp edges or moving parts.** Damaged or entangled cords increase the risk of electric shock.
- **When operating a power tool outdoors, use an extension cord suitable for outdoor use.** Use of a cord suitable for outdoor use reduces the risk of electric shock.
- **If operating a power tool in a damp location is unavoidable, use a ground fault circuit interrupter (GFCI) protected supply.** Use of a GFCI reduces the risk of electric shock.
- **Use battery only with charger listed.** For use with 18V lithium-ion battery packs, see tool/appliance/battery pack/charger correlation supplement 987000-432.

## PERSONAL SAFETY

- **Stay alert, watch what you are doing and use common sense when operating a power tool. Do not use a power tool while you are tired or under the influence of drugs,**

**alcohol or medication.** A moment of inattention while operating power tools may result in serious personal injury.

- **Use personal protective equipment. Always wear eye protection.** Protective equipment such as a dust mask, non-skid safety shoes, hard hat, or hearing protection used for appropriate conditions will reduce personal injuries.
- **Prevent unintentional starting. Ensure the switch is in the off-position before connecting to power source and/or battery pack, picking up or carrying the tool.** Carrying power tools with your finger on the switch or energizing power tools that have the switch on invites accidents.
- **Remove any adjusting key or wrench before turning the power tool on.** A wrench or a key left attached to a rotating part of the power tool may result in personal injury.
- **Do not overreach. Keep proper footing and balance at all times.** This enables better control of the power tool in unexpected situations.
- **Dress properly. Do not wear loose clothing or jewelry. Keep your hair and clothing away from moving parts.** Loose clothes, jewelry or long hair can be caught in moving parts.
- **If devices are provided for the connection of dust extraction and collection facilities, ensure these are connected and properly used.** Use of dust collection can reduce dust-related hazards.
- **Do not let familiarity gained from frequent use of tools allow you to become complacent and ignore tool safety principles.** A careless action can cause severe injury within a fraction of a second.
- **Do not wear loose clothing or jewelry.** Contain long hair. Loose clothes, jewelry, or long hair can be drawn into air vents.
- **Do not use on a ladder or unstable support.** Stable footing on a solid surface enables better control of the power tool in unexpected situations.

## POWER TOOL USE AND CARE

- **Do not force the power tool. Use the correct power tool for your application.** The correct power tool will do the job better and safer at the rate for which it was designed.
- **Do not use the power tool if the switch does not turn it on and off.** Any power tool that cannot be controlled with the switch is dangerous and must be repaired.
- **Disconnect the plug from the power source and/or remove the battery pack, if detachable, from the power tool before making any adjustments, changing accessories, or storing power tools.** Such preventive safety measures reduce the risk of starting the power tool accidentally.
- **Store idle power tools out of the reach of children and do not allow persons unfamiliar with the power tool**

# GENERAL POWER TOOL SAFETY WARNINGS

or these instructions to operate the power tool. Power tools are dangerous in the hands of untrained users.

- **Maintain power tools and accessories. Check for misalignment or binding of moving parts, breakage of parts and any other condition that may affect the power tool's operation. If damaged, have the power tool repaired before use.** Many accidents are caused by poorly maintained power tools.
- **Keep cutting tools sharp and clean.** Properly maintained cutting tools with sharp cutting edges are less likely to bind and are easier to control.
- **Use the power tool, accessories and tool bits etc. in accordance with these instructions, taking into account the working conditions and the work to be performed.** Use of the power tool for operations different from those intended could result in a hazardous situation.
- **Keep handles and grasping surfaces dry, clean and free from oil and grease.** Slippery handles and grasping surfaces do not allow for safe handling and control of the tool in unexpected situations.

## BATTERY TOOL USE AND CARE

- **Recharge only with the charger specified by the manufacturer.** A charger that is suitable for one type of battery pack may create a risk of fire when used with another battery pack.
- **Use power tools only with specifically designated battery packs.** Use of any other battery packs may create a risk of injury and fire.

- **When battery pack is not in use, keep it away from other metal objects, like paper clips, coins, keys, nails, screws or other small metal objects, that can make a connection from one terminal to another.** Shorting the battery terminals together may cause burns or a fire.
- **Under abusive conditions, liquid may be ejected from the battery; avoid contact. If contact accidentally occurs, flush with water. If liquid contacts eyes, additionally seek medical help.** Liquid ejected from the battery may cause irritation or burns.
- **Do not use a battery pack or tool that is damaged or modified.** Damaged or modified batteries may exhibit unpredictable behavior resulting in fire, explosion or risk of injury.
- **Do not expose a battery pack or tool to fire or excessive temperature.** Exposure to fire or temperature above 265° F may cause explosion.
- **Follow all charging instructions and do not charge the battery pack or tool outside the temperature range specified in the instructions.** Charging improperly or at temperatures outside the specified range may damage the battery and increase the risk of fire.

## SERVICE

- **Have your power tool serviced by a qualified repair person using only identical replacement parts.** This will ensure that the safety of the power tool is maintained.
- **Never service damaged battery packs.** Service of battery packs should only be performed by the manufacturer or authorized service providers.

# JIG SAW SAFETY WARNINGS

- **Hold the power tool by insulated gripping surfaces, when performing an operation where the cutting accessory may contact hidden wiring.** Cutting accessory contacting a "live" wire may make exposed metal parts of the power tool "live" and could give the operator an electric shock.
- **Use clamps or another practical way to secure and support the workpiece to a stable platform.** Holding the workpiece by hand or against your body leaves it unstable and may lead to loss of control.
- **Know your power tool. Read operator's manual carefully. Learn its applications and limitations, as well as the specific potential hazards related to this power tool.** Following this rule will reduce the risk of electric shock, fire, or serious injury.
- **Always wear eye protection with side shields marked to comply with ANSI Z87.1 when assembling parts,**

operating the tool, or performing maintenance. Following this rule will reduce the risk of serious personal injury.




- **Protect your lungs. Wear a face or dust mask if the operation is dusty.** Following this rule will reduce the risk of serious personal injury.
- **Protect your hearing. Wear hearing protection during extended periods of operation.** Following this rule will reduce the risk of serious personal injury.
- **Check damaged parts. Before further use of the tool, a guard or other part that is damaged should be carefully checked to determine that it will operate properly and perform its intended function. Check for alignment of moving parts, binding of moving parts, breakage of parts, mounting, and any other conditions that may affect its operation. A guard or other part that is damaged should be properly repaired or replaced by an authorized service center.** Following this rule will reduce the risk of shock, fire, or serious injury.

# JIG SAW SAFETY WARNINGS





- **Inspect for and remove all nails from lumber before using this tool.** Following this rule will reduce the risk of serious personal injury.
- **Battery tools do not have to be plugged into an electrical outlet; therefore, they are always in operating condition. Be aware of possible hazards when not using your battery tool or when changing accessories.** Following this rule will reduce the risk of electric shock, fire, or serious personal injury.
- **Do not place battery tools or their batteries near fire or heat.** This will reduce the risk of explosion and possibly injury.
- **Do not crush, drop or damage battery pack. Do not use a battery pack or charger that has been dropped or received a sharp blow.** A damaged battery is subject to explosion. Properly dispose of a dropped or damaged battery immediately.
- **Batteries can explode in the presence of a source of ignition, such as a pilot light.** To reduce the risk of serious personal injury, never use any cordless product in the presence of open flame. An exploded battery can propel debris and chemicals. If exposed, flush with water immediately.
- **Under extreme usage or temperature conditions, battery leakage may occur. If liquid comes in contact with your skin, wash immediately with soap and water. If liquid gets into your eyes, flush them with clean water for at least 10 minutes, then seek immediate medical attention.** Following this rule will reduce the risk of serious personal injury.
- **Save these instructions.** Refer to them frequently and use them to instruct others who may use this tool. If you loan someone this tool, loan them these instructions also.

## SYMBOLS

The following signal words and meanings are intended to explain the levels of risk associated with this product.



SYMBOL	SIGNAL	MEANING
	<b>DANGER:</b>	Indicates a hazardous situation, which, if not avoided, will result in death or serious injury.
	<b>WARNING:</b>	Indicates a hazardous situation, which, if not avoided, could result in death or serious injury.
	<b>CAUTION:</b>	Indicates a hazardous situation, that, if not avoided, may result in minor or moderate injury.
	<b>NOTICE:</b>	(Without Safety Alert Symbol) Indicates information considered important, but not related to a potential injury (e.g. messages relating to property damage).

Some of the following symbols may be used on this product. Please study them and learn their meaning. Proper interpretation of these symbols will allow you to operate the product better and safer.

SYMBOL	NAME	DESIGNATION/EXPLANATION
	Safety Alert	Indicates a potential personal injury hazard.
	Read Operator's Manual	To reduce the risk of injury, user must read and understand operator's manual before using this product.
	Eye Protection	Always wear eye protection with side shields marked to comply with ANSI Z87.1.
	Wet Conditions Alert	Do not expose to rain or use in damp locations.

# SYMBOLS

Some of the following symbols may be used on this product. Please study them and learn their meaning. Proper interpretation of these symbols will allow you to operate the product better and safer.

SYMBOL	NAME	DESIGNATION/EXPLANATION
	No Hands Symbol	Failure to keep your hands away from the blade will result in serious personal injury.
	Recycle Symbol	This product uses lithium-ion (Li-ion) batteries. Local, state, or federal laws may prohibit disposal of batteries in ordinary trash. Consult your local waste authority for information regarding available recycling and/or disposal options.
V	Volts	Voltage
min	Minutes	Time
==	Direct Current	Type or a characteristic of current
$n_0$	No Load Speed	Rotational speed, at no load
.../min	Per Minute	Revolutions, strokes, surface speed, orbits etc., per minute

# FEATURES

## PRODUCT SPECIFICATIONS

Strokes per minute..... 900-3,200/min (SPM)      Cutting Angle..... 0° to 45° (Left and Right)  
 Stroke Length..... 1 in.      Orbital Motion ..... 4 Settings

# ASSEMBLY

### WARNING:

Do not use this product if it is not completely assembled or if any parts appear to be missing or damaged. Use of a product that is not properly and completely assembled or with damaged or missing parts could result in serious personal injury.

### WARNING:

Do not attempt to modify this product or create attachments or accessories not recommended for use with this product. Any such alteration or modification is misuse and could result in a hazardous condition leading to possible serious personal injury.

If any parts are damaged or missing, please call 1-800-525-2579 for assistance.

# OPERATION

## **WARNING:**

Do not allow familiarity with this product to make you careless. Remember that a careless fraction of a second is sufficient to inflict serious injury.

## **WARNING:**

Always remove battery pack from the tool when you are assembling parts, making adjustments, cleaning, or when not in use. Removing battery pack will prevent accidental starting that could cause serious personal injury.

## **WARNING:**

Always wear eye protection with side shields marked to comply with ANSI Z87.1. Failure to do so could result in objects being thrown into your eyes and other possible serious injuries.

## **WARNING:**

Do not use any attachments or accessories not recommended by the manufacturer of this product. The use of attachments or accessories not recommended can result in serious personal injury.

## APPLICATIONS

You may use this tool for the purposes listed below:

- Cutting all types of wood and wood products, thin sheet metal, plastics, and laminates

## OVERLOAD PROTECTION

When the tool is forced or overloaded, the Li-ion battery pack will automatically shut off the tool. To reset the tool, slide the switch OFF, and then back ON to resume operation. If the tool still does not resume operation, remove and reinsert the battery. Do not force the tool.

## HIGH TEMPERATURE PROTECTION

Li-ion battery packs are equipped with a high temperature protection feature that automatically deactivates the tool when it is overheated. Slide the switch to OFF, and allow the battery to cool. To resume operation, slide the switch ON.

## INSTALLING/REMOVING BATTERY PACK

See Figure 1, page 11.

### To install:

- Insert the battery pack into the product as shown.
- Make sure the latches on each side of the battery pack snap in place and battery pack is secured before beginning operation.

### To remove:

- Depress the latches on each side of the battery pack.

## ON-OFF SWITCH AND VARIABLE SPEED DIAL

See Figure 2, page 11.

The variable speed dial delivers higher speed when rotated to a larger number and slower speed when rotated to a smaller number.

To turn the tool ON, slide one of the spring loaded switches on either side of the tool forward. The switch will return to the original position. To turn it OFF, slide one of the spring loaded switches on either side of the tool forward and allow the blade to come to a complete stop.

## VARIABLE SPEED DIAL

See Figure 2, page 11.

The speed selector dial, located under the handle of the tool, allows the saw to operate at different maximum speeds. The maximum speed can be adjusted before or during operation. To change the maximum speed during operation, hold the saw in a normal operating position, and rotate the speed selector dial to the desired speed setting. To change the maximum speed prior to operation, rotate the speed selector dial to the desired setting and slide the switch button towards the front of the tool to operate the saw.

### SETTING      OPERATION

A	Saw runs at reduced speeds until blade engages workpiece. The saw speed will increase automatically to provide the most efficient cut.
1-2	Slow speeds are ideal when minimum speed and power is required, for example, starting cuts.
3-4	Medium speeds are suitable for cutting hard metals, plastics, and laminates.
5-6	Maximum speeds produce best results when maximum power is required, for example, cutting wood. Soft metals such as aluminum, brass, and copper may also require high speeds.

# OPERATION

Avoid running the saw at low speeds for extended periods of time. Running at low speeds under constant usage may cause your saw to become overheated. If this occurs, cool your saw by running it without a load and at full speed.

## INSTALLING/REMOVING BLADES

See *Figure 3, page 11*.

The tool-free blade clamp does not require the use of a blade wrench when installing or removing the blade.

**NOTE:** The jig saw is designed to use T-shank blades only.

### To install blades:

- Remove the battery pack.
- Rotate the blade clamp lever away from the orbital adjustment knob until resistance is felt on the lever, and hold in place.
- Insert the saw blade as far as possible into the slot in the saw bar. Some resistance may be felt in doing this.
- Check to make sure the back of the saw blade is centered in the groove of the blade-support roller.
- Release the blade clamp lever. Make sure the blade is securely in place.
- Reinstall the battery pack.

**NOTE:** Check that the blade is inserted fully and completely secured. Blade will lock into position when correctly installed. Do not use the tool if the blade is not installed correctly.

### To remove blades:

- Remove the battery pack.
- Allow blade to cool.
- Rotate the blade clamp lever away from the orbital adjustment knob until resistance is felt on the lever, and hold in place.
- Remove the saw blade.

## BLOWER/VACUUM MODE

See *Figures 4 - 6, page 12*.

The jig saw is equipped with a convenient switch for managing dust while cutting. First setting blows air to clean line-of-sight while cutting. Second setting turns off air to the line-of-sight air vent to allow the dust to be vacuumed up through the rear dust port.

The saw can be operated in either blower mode to clear dust from cutting area or vacuum mode to collect dust.

### To operate in dust blower mode:

- Remove the battery pack.
- Push blower/vacuum switch to blower position. Dust will be blown from line of cut.
- Reinstall the battery pack.

### To operate in vacuum mode:

- Remove the battery pack.
- Push blower/vacuum switch to vacuum position.
- Slide the dust collection vacuum attachment into the curved area at the rear of the base.
- Connect a vacuum hose to the attachment.
- Reinstall the battery pack.
- Turn on vacuum.
- Begin cutting.

**NOTE:** The dust collection vacuum attachment can be used with the base in beveling position. See **Angle Cutting (Bevel Cutting)**.

## LED LIGHT

See *Figure 7, page 12*.

The LED light, is located on the front of the tool and illuminates when the switch is moved to the ON position to give you a clear view of the cut line on your work surface.

If the tool is not in use, the time-out feature will cause the light to shut off after 10 seconds.

The LED light illuminates only when there is a charged battery pack in the tool.

## GENERAL CUTTING

See *Figure 7, page 12*.

Rest the front of the saw base on the workpiece and align cutting edge of the blade with the marked line on the workpiece. Start the saw and move it forward on the work surface. Apply downward pressure to keep the saw steady and only enough forward pressure to keep the blade cutting.

# OPERATION

## NOTICE:

Do not force the saw. Forcing the saw may overheat the motor and break saw blades. Use clamps or another practical way to secure and support the workpiece to a stable platform.

## ORBITAL MOTION

See Figure 8, page 12.

The blade of the saw can be set to cut in an orbital motion. This feature is adjustable and provides faster, more efficient cutting. With orbital motion the blade cuts through the work on the upstroke but does not drag across the work on the downstroke. To adjust the orbital motion, rotate the orbital adjustment knob to the desired setting. Refer to the chart below to find the right setting for your application.

**NOTE:** Setting the orbital position to a lower setting will result in a smoother finish but slower cut. A higher setting will result in a rougher finish but faster cut.

## STRAIGHT CUTTING

See Figure 9, page 12.

A straight cut can be made by clamping a piece of wood or straightedge to the workpiece and guiding the edge of the saw base against it. Make the cut from one direction only. Don't cut halfway and complete the cut from the opposite end.

## SCROLL CUTTING

See Figure 10, page 12.

Scroll cuts can be made with the jig saw by guiding the direction of the cut with applied pressure on the handle.

**NOTE:** Tighter tolerance scroll cutting may require the use of a scroll cutting blade (not included).

## WARNING:

Excessive side pressure to the blade could result in broken blades or damage to the material being cut.

## ANGLE CUTTING (BEVEL CUTTING)

See Figures 11 - 12, page 13.

The base can be angled 45° left or right for bevel cutting, with positive stops at 0° and 45° (left or right). A protractor is recommended when accurate cuts are required.

- Remove the battery pack.
- If attached, remove the vacuum attachment.
- Remove the hex key from the storage compartment. Loosen the base pivot screw until the base can be moved.
 

**NOTE:** Do not completely remove screw.
- Slide the base forward until the base can move freely left and right.
- Align the pointer on the housing with the desired angle indicated on the scale on the saw base.

Orbital Setting	Material Type	Suggested Blade Type	TPI (Teeth per inch)	Speed Setting	Orbital Action
0	Counter Top, Laminate Board	Wood Cutting Blade	10-12 (Down Stroke Blade)	Position 3-4	No Orbit
	Thin Sheet Metal	Metal Cutting Blade	14-24	Positions 6 or A	No Orbit
1	Plastics and PVC	Wood Cutting Blade	10-12	Positions 4-6 or A	Minimal Orbit
	Scrolling or Curving Cuts in Wood	Scrolling Wood Blade	10-12	Position 4-6 or A	No Orbit (Setting 0)
2	Plywood, Decking and Hardwood	Wood Cutting Blade	6-12	Position 4-6 or A	Medium Orbit
3	General Lumber and Soft Wood	Wood Cutting Blade	6-10	Positions 4-6 or A	Maximum Orbit



# OPERATION

- Once the desired angle is reached, slide base back until the tab on the motor housing aligns with the appropriate notch on the underside of the base.

**NOTE:** When making a set-up for accurate cuts with a protractor, or for angles other than the preset 45° increments, the positive stop notches on the underside of the base are not used.

- Tighten the base pivot screw securely.
- Return the hex key to the storage compartment.
- Reinstall the battery pack.

## PLUNGE CUTTING

See Figures 13 - 15, page 13.

Depending on the thickness of the material being cut, you may need to drill a pilot hole before making plunge cuts.

### **WARNING:**

To avoid loss of control, broken blades, or damage to the material being cut, always use extreme caution when making plunge cuts. We do not recommend plunge cutting on materials other than wood.

#### To make plunge cuts using pilot holes:

- Mark the line of cut clearly on the workpiece.
- Drill a pilot hole inside the area marked by the line of cut. The pilot hole should be large enough to slide the blade through the material.
- Slowly lower the blade through the pilot hole in the workpiece until the base contacts the workpiece. Slide the switch toward the front of the saw to start the saw.
- Do not move the saw forward until the blade is entirely through the workpiece and the base is in complete contact with the workpiece.
- Move the saw forward to complete the opening.

#### To make plunge cuts without using pilot holes:

- Mark the line of cut clearly on the workpiece.
- Tilt the jig saw forward so that it rests on the front edge of the base and blade will not come in contact with the workpiece when the tool is turned on.

- Make sure the blade is aligned with the area to be cut.
- Slide the switch toward the front of the saw to start the saw and slowly lower the blade into the workpiece until the blade cuts through the workpiece.
- Continue lowering the blade into the workpiece until the base rests flat on the work surface, then move the jig saw forward to complete the opening.
- Use only the 6 teeth per inch blade for this type of cut.

## METAL CUTTING

See Figure 16, page 13.

**NOTE:** The jig saw must be in the no-orbit mode to cut metals and conduit. Set the orbital adjustment knob to “0.” Refer to the **Orbital Motion** section earlier in this manual for more details.

Many kinds of metals can be cut with the saw using a metal cutting blade. Be careful not to twist or bend the blades. **Do not force.** If the blade chatters or vibrates excessively, use a finer-tooth metal-cutting blade. If blade heats excessively, use lower speed. If blade teeth become filled or clogged when cutting soft metals, such as aluminum, use a coarser-tooth blade or lower speed. We recommend use of lubricant when cutting metals to keep blades cool, increase cutting action, and prolong blade life. Clamp the workpiece firmly and saw close to the clamping point to eliminate any vibration of the work being cut.

When cutting conduit, pipe, or angle iron, clamp workpiece in a vise if possible and saw close to the vise. To cut thin sheet materials, “sandwich” the material between hardboard or plywood and clamp the layers to eliminate vibration and material tearing. By doing this, the material will be cut smoothly. Lay out your pattern or line of cut on top of the “sandwich.”

**NOTE:** When cutting metal, keep exposed portion of saw bar clean and free of metal chips by wiping frequently with an oily cloth. Use extreme caution in disposing of oily cloth after completion of job to prevent potential fire hazard.

**NOTE: MAINTENANCE INFORMATION BEGINS ON PAGE 10 AFTER FRENCH AND SPANISH LANGUAGE SECTIONS. ILLUSTRATIONS START ON PAGE 11.**

# RÈGLES DE SÉCURITÉ RELATIVES AUX OUTILS ÉLECTRIQUES

## AVERTISSEMENT

**Lire tous les avertissements et toutes les instructions.**

Ne pas suivre l'ensemble des avertissements et des instructions peut entraîner une électrocution, un incendie ou des blessures graves.

**Conserver les avertissements et les instructions à des fins de référence ultérieure.** Le terme « outil motorisé », utilisé dans tous les avertissements ci-dessous désigne tout outil fonctionnant sur secteur (câblé) ou sur piles (sans fil).

## SÉCURITÉ DU LIEU DE TRAVAIL

- **Garder le lieu de travail propre et bien éclairé.** Les endroits encombrés ou sombres sont propices aux accidents.
- **Ne pas utiliser d'outils électriques dans des atmosphères explosives, par exemple en présence de liquides, gaz ou poussières inflammables.** Les outils électriques produisent des étincelles risquant d'enflammer les poussières ou vapeurs.
- **Garder les enfants et badauds à l'écart pendant l'utilisation d'un outil électrique.** Les distractions peuvent causer une perte de contrôle.

## SÉCURITÉ ÉLECTRIQUE

- **Les fiches des outils électriques doivent correspondre à la prise secteur utilisée. Ne jamais modifier la fiche, de quelque façon que ce soit. Ne jamais utiliser d'adaptateurs de fiche avec des outils mis à la terre.** Les fiches et prises non modifiées réduisent le risque de choc électrique.
- **Éviter tout contact du corps avec des surfaces mises à la terre, telles que tuyaux, radiateurs, cuisinières et réfrigérateurs.** Le risque de choc électrique est accru lorsque le corps est mis à la terre.
- **Ne pas exposer les outils électriques à l'eau ou l'humidité.** La pénétration d'eau dans ces outils accroît le risque de choc électrique.
- **Ne pas maltraiter le cordon d'alimentation. Ne jamais utiliser le cordon d'alimentation pour transporter l'outil et ne jamais débrancher ce dernier en tirant sur le cordon. Garder le cordon à l'écart de la chaleur, de l'huile, des objets tranchants et des pièces en mouvement.** Un cordon endommagé ou emmêlé accroît le risque de choc électrique.
- **Pour les travaux à l'extérieur, utiliser un cordon spécialement conçu à cet effet.** Utiliser un cordon conçu pour l'usage extérieur pour réduire les risques de choc électrique.
- **S'il est nécessaire d'utiliser l'outil électrique dans un endroit humide, employer un dispositif interrupteur de**

**défaut à la terre (GFCI).** L'utilisation d'un GFCI réduit le risque de décharge électrique.

- **Ne recharger les piles qu'avec l'appareil indiqué. Pour utiliser l'appareil avec des piles au lithium-ion de 18 V, consulter le supplément de raccordement pour chargeur/outils/piles/appareil n° 987000-432.**

## SÉCURITÉ PERSONNELLE

- **Rester attentif, prêter attention au travail et faire preuve de bon sens lors de l'utilisation de tout outil électrique. Ne pas utiliser cet outil en état de fatigue ou sous l'influence de l'alcool, de drogues ou de médicaments.** Un moment d'inattention pendant l'utilisation d'un outil électrique peut entraîner des blessures graves.
- **Utiliser l'équipement de sécurité. Toujours porter une protection oculaire.** L'équipement de sécurité, tel qu'un masque filtrant, de chaussures de sécurité, d'un casque ou d'une protection auditive, utilisé dans des conditions appropriées réduira le risque de blessures.
- **Éviter les démarrages accidentels. S'assurer que le commutateur est en position d'arrêt avant de brancher l'outil.** Porter un outil avec le doigt sur son commutateur ou brancher un outil dont le commutateur est en position de marche peut causer un accident.
- **Retirer les clés de réglage avant de mettre l'outil en marche.** Une clé laissée sur une pièce rotative de l'outil peut causer des blessures.
- **Ne pas travailler hors de portée. Toujours se tenir bien campé et en équilibre.** Ceci permettra de mieux contrôler l'outil en cas de situation imprévue.
- **Porter une tenue appropriée. Ne porter ni vêtements amples, ni bijoux. Garder les cheveux et les vêtements à l'écart des pièces en mouvement.** Les vêtements amples, bijoux et cheveux longs peuvent se prendre dans les pièces en mouvement.
- **Si les outils sont équipés de dispositifs de dépoussiérage, s'assurer qu'ils sont connectés et correctement utilisés.** L'usage de ces dispositifs de dépoussiérage peut réduire les dangers présentés par la poussière.
- **Malgré votre expérience acquise par l'utilisation fréquente des outils, soyez toujours vigilant et respectez les principes de sécurité relatifs aux outils.** Il s'agit d'une fraction de seconde pour qu'un geste irréfléchi puisse causer de graves blessures.
- **Ne porter ni vêtements amples, ni bijoux. Attacher ou couvrir les cheveux longs.** Les vêtements amples, bijoux et cheveux longs peuvent se prendre dans les ouïes d'aération.
- **Ne pas utiliser l'outil sur une échelle ou un support instable.** Une bonne tenue et un bon équilibre permettent de mieux contrôler l'outil en cas de situation imprévue.

# RÈGLES DE SÉCURITÉ RELATIVES AUX OUTILS ÉLECTRIQUES

## UTILISATION ET ENTRETIEN DES OUTILS ÉLECTRIQUES

- **Ne pas forcer l'outil. Utiliser l'outil approprié pour l'application.** Un outil approprié exécutera le travail mieux et de façon moins dangereuse s'il est utilisé dans les limites prévues.
- **Ne pas utiliser l'outil si le commutateur ne permet pas de le mettre en marche ou de l'arrêter.** Tout outil qui ne peut pas être contrôlé par son commutateur est dangereux et doit être réparé.
- **Débrancher l'outil et/ou retirer le bloc-piles avant d'effectuer des réglages, de changer d'accessoire ou de remiser l'outil.** Ces mesures de sécurité préventives réduisent les risques de démarrage accidentel de l'outil.
- **Ranger les outils motorisés hors de la portée des enfants et ne laisser personne n'étant pas familiarisé avec l'outil ou ces instructions utiliser l'outil.** Dans les mains de personnes n'ayant pas reçu des instructions adéquates, les outils sont dangereux.
- **Entretenir les outils motorisés. Vérifier qu'aucune pièce mobile n'est mal alignée ou bloquée, qu'aucune pièce n'est brisée et s'assurer qu'aucun autre problème ne risque d'affecter le bon fonctionnement de l'outil. En cas de dommages faire réparer l'outil avant de l'utiliser de nouveau.** Beaucoup d'accidents sont causés par des outils mal entretenus.
- **Garder les outils bien affûtés et propres.** Des outils correctement entretenus et dont les tranchants sont bien affûtés risquent moins de se bloquer et sont plus faciles à contrôler.
- **Utiliser l'outil, les accessoires et embouts, etc. conformément à ces instructions pour les applications pour lesquelles ils sont conçus, en tenant compte des conditions et du type de travail à exécuter.** L'usage d'un outil motorisé pour des applications pour lesquelles il n'est pas conçu peut être dangereux.
- **Gardez les poignées et les surfaces de prise sèches, propres et exemptes d'huile et de graisse.** Des poignées et des surfaces de prise glissantes empêchent la manipulation et le contrôle sécuritaires de l'outil dans des circonstances imprévues.

## UTILISATION ET ENTRETIEN DE LA PILE

- **Ne recharger qu'avec l'appareil spécifié par le fabricant.** Un chargeur approprié pour un type de pile peut créer un risque d'incendie s'il est utilisé avec un autre type de pile.
- **Utiliser exclusivement le bloc-pile spécifiquement indiqué pour l'outil.** L'usage de tout autre bloc peut créer un risque de blessures et d'incendie.
- **Lorsque le bloc-piles n'est pas en usage, le garder à l'écart d'articles tels qu'attaches trombones, pièces de monnaie, clous, vis ou autres petits objets métalliques risquant d'établir le contact entre les deux bornes.** La mise en court-circuit des bornes de piles peut causer des étincelles, des brûlures ou un incendie.
- **En cas d'usage abusif, du liquide peut s'échapper des piles. Éviter tout contact avec ce liquide. En cas de contact accidentel, rincer immédiatement les parties atteintes avec de l'eau. En cas d'éclaboussure dans les yeux consulter un médecin.** Le liquide s'échappant des piles peut causer des irritations ou des brûlures.
- **Ne pas utiliser un bloc-piles ou un outil endommagé ou modifié.** Les piles endommagées ou modifiées peuvent produire un comportement imprévisible pouvant provoquer un incendie, une explosion ou des blessures.
- **Ne pas exposer le bloc-piles ou l'outil près d'un incendie ou à une température extrême.** L'exposition à un incendie ou à une température supérieure à 130 °C (265 °F) représente un risque d'explosion.
- **Suivre toutes les instructions afférentes à la recharge et ne pas recharger le bloc-piles ou l'outil hors des températures spécifiées dans les instructions.** Une recharge incorrecte ou hors des températures spécifiées peut endommager la pile et augmenter les risques de feu.

## DÉPANNAGE




- **Les réparations doivent être confiées à un technicien qualifié, utilisant exclusivement des pièces identiques à celles d'origine.** Ceci assurera le maintien de la sécurité de l'outil.
- **Utiliser exclusivement des pièces identiques à celles d'origine pour les réparations. Se conformer aux instructions de la section Entretien de ce manuel.** L'usage de pièces non autorisées ou le non-respect des instructions peut présenter des risques de choc électrique ou de blessures.

# AVERTISSEMENTS DE SÉCURITÉ RELATIVES SCIE SAUTEUSE








- **Lorsque l'outil est utilisé pour un travail risquant de le mettre en contact avec des fils électriques cachés, le tenir par les surfaces de prise isolées.** Le contact d'un accessoire de coupe avec un fil sous tension « électrifie » les pièces métalliques exposées de l'outil et peut électrocuter l'utilisateur.
- **Dans la mesure du possible, utiliser des serre-joint pour maintenir la pièce sur une surface stable.** Une pièce tenue à la main ou contre son corps le rend instable et peut causer une perte de contrôle.
- **Apprendre à connaître l'outil. Lire attentivement le manuel d'utilisation. Apprendre les applications et les limites de l'outil, ainsi que les risques spécifiques relatifs à son utilisation.** Le respect de cette consigne réduira les risques d'incendie, de choc électrique et de blessures graves.
- **Toujours porter une protection oculaire munie d'écrans latéraux certifiée conforme à la norme ANSI Z87.1 lors du montage des pièces, du fonctionnement de l'outil ou au moment de l'entretien.** Le respect de cette règle réduira les risques de blessures graves.
- **Protection respiratoire. Porter un masque facial ou un masque antipoussière si le travail produit de la poussière.** Le respect de cette consigne réduira les risques de blessures graves.
- **Protection auditive. Porter une protection auditive lors de l'utilisation prolongée.** Le respect de cette règle réduira les risques de blessures graves.
- **Vérifier l'état des pièces. Avant d'utiliser l'outil de nouveau examiner soigneusement les pièces et dispositifs de protection qui semblent endommagés afin de déterminer s'ils fonctionnent correctement et s'ils remplissent les fonctions prévues. Vérifier l'alignement des pièces mobiles, s'assurer qu'aucune pièce n'est bloquée ou cassée, vérifier la fixation de chaque pièce et s'assurer qu'aucun autre problème ne risque d'affecter le bon fonctionnement de l'outil. Toute protection ou pièce endommagée doit être correctement réparée ou remplacée dans un centre de réparations agréé.** Le respect de cette consigne réduira les risques de choc électrique, d'incendie et de blessures graves.
- **Inspecter la pièce et retirer les clous éventuels avant d'utiliser cet outil.** Le respect de cette consigne réduira les risques de blessures graves.
- **Les outils fonctionnant sur piles n'ayant pas besoin d'être branchés sur une prise secteur, ils sont toujours en état de fonctionnement. Tenir compte des dangers possibles lorsque l'outil n'est pas en usage et lors du remplacement des piles.** Le respect de cette consigne réduira les risques d'incendie, de choc électrique et de blessures graves.
- **Ne pas placer les outils électriques sans fil ou leurs piles à proximité de flammes ou d'une source de chaleur.** Ceci réduira les risques d'explosion et de blessures.
- **Ne pas écraser, faire tomber ou endommager le bloc-piles. Ne jamais utiliser un bloc-piles ou un chargeur qui est tombé, a été écrasé, a reçu un choc violent ou a été endommagé de quelque façon que ce soit.** Une pile endommagée risque d'exploser. Éliminer immédiatement toute pile endommagée, selon une méthode appropriée.
- **Les piles peuvent exploser en présence d'une source d'allumage, telle qu'une veilleuse.** Pour réduire les risques de blessures graves, ne jamais utiliser un appareil sans fil, quel qu'il soit, en présence d'une flamme vive. En explosant, une pile peut projeter des débris et des produits chimiques. En cas d'exposition, rincer immédiatement les parties atteintes avec de l'eau.
- **Si l'outil est utilisé de façon intensive ou sous des températures extrêmes, des fuites de pile peuvent se produire. En cas de contact du liquide avec la peau, rincer immédiatement la partie atteinte avec de l'eau. En cas d'éclaboussure dans les yeux, les rincer à l'eau fraîche pendant au moins 10 minutes, puis contacter immédiatement un médecin.** Le respect de cette règle réduira les risques de blessures graves.
- **Conserver ces instructions.** Les consulter fréquemment et les utiliser pour instruire les autres utilisateurs éventuels. Si cet outil est prêté, il doit être accompagné de ces instructions.

# SYMBOLES

Les termes de mise en garde suivants et leur signification ont pour but d'expliquer le degré de risques associé à l'utilisation de ce produit.

SYMBOLE	SIGNAL	SIGNIFICATION
	<b>DANGER :</b>	Indique une situation dangereuse qui, si elle n'est pas évitée, aura pour conséquences des blessures graves ou mortelles.
	<b>AVERTISSEMENT :</b>	Indique une situation dangereuse qui, si elle n'est pas évitée, pourrait entraîner des blessures graves ou mortelles.
	<b>ATTENTION :</b>	Indique une situation dangereuse qui, si elle n'est pas évitée, pourrait entraîner des blessures légères ou de gravité modérée.
	<b>AVIS :</b>	(Sans symbole d'alerte de sécurité) Indique les informations jugées importantes sans toutefois représenter un risque de blessure (ex. : messages concernant les dommages matériels).

Certains des symboles ci-dessous peuvent être utilisés sur produit. Veiller à les étudier et à apprendre leur signification. Une interprétation correcte de ces symboles permettra d'utiliser produit plus efficacement et de réduire les risques.

SYMBOLE	NOM	DÉSIGNATION / EXPLICATION
	Symbole d'alerte de sécurité	Indique un risque de blessure potentiel.
	Lire le manuel d'utilisation	Pour réduire les risques de blessures, l'utilisateur doit lire et veiller à bien comprendre le manuel d'utilisation avant d'utiliser ce produit.
	Protection oculaire	Toujours porter une protection oculaire avec écrans latéraux certifiée conforme à la norme ANSI Z87.1.
	Avertissement concernant l'humidité	Ne pas exposer à la pluie ou l'humidité.
	Symbole Mains à l'écart	Le non-respect de cette mise en garde peut entraîner des blessures graves.
	Symbole de recyclage	Ce produit utilise les piles de lithium-ion (Li-ion). Les réglementations locales ou gouvernementales peuvent interdire de jeter les piles dans les ordures ménagères. Consulter les autorités locales compétentes pour les options de recyclage et/ou l'élimination.
V	Volts	Tension
min	Minutes	Temps
	Courant continu	Type ou caractéristique du courant
$n_0$	Vitesse à vide	Vitesse de rotation à vide
.../min	Par minute	Tours, coups, vitesse périphérique, orbites, etc., par minute

# CARACTÉRISTIQUES

## FICHE TECHNIQUE

Strokes per minute .....900 - 3 200 /min (SPM)      Angle de coupe ..... 0° to 45° à droite et à gauche  
 Course.....25,4 mm (1 po)      Mouvement orbital ..... 4 réglages

# ASSEMBLAGE

## AVERTISSEMENT :

Ne pas utiliser le produit s'il n'est pas complètement assemblé ou si des pièces semblent manquantes ou endommagées. L'utilisation d'un produit dont l'assemblage est incorrect ou incomplet ou comportant des pièces endommagées ou absentes représente un risque de blessures graves.

## AVERTISSEMENT :

Ne pas essayer de modifier cet outil ou de créer des pièces et accessoires non recommandés. De telles altérations ou modifications sont considérées comme un usage abusif et peuvent créer des conditions dangereuses, risquant d'entraîner des blessures graves.

Si des pièces manquent ou sont endommagées, veuillez appeler au 1-800-525-2579 pour obtenir de l'aide.

# UTILISATION

## AVERTISSEMENT :

Ne pas laisser la familiarité avec l'outil faire oublier la prudence. Ne pas oublier qu'une fraction de seconde d'inattention peut entraîner des blessures graves.

## AVERTISSEMENT :

Toujours retirer la bloc-pile de l'outil au moment d'assembler des pièces, d'effectuer des réglages et de procéder au nettoyage, ou lorsque l'outil n'est pas utilisé. Le fait de retirer la pile permet d'empêcher un démarrage accidentel pouvant entraîner des blessures graves.

## AVERTISSEMENT :

Toujours porter une protection oculaire avec écrans latéraux certifiée conforme à la norme ANSI Z87.1. Si une opération dégage de la poussière, porter également un masque anti-poussière.

## AVERTISSEMENT :

Ne pas utiliser d'outils ou accessoires non recommandés par le fabricant pour cet outil. L'utilisation de pièces et accessoires non recommandés peut entraîner des blessures graves.

## APPLICATIONS

Cet outil peut être utilisé pour les applications ci-dessous :

- Le sciage de tous types de produits en bois, coupe de tôle mince, coupe de plastiques et laminés.

## PROTECTION CONTRE LES SURCHARGES

Le bloc-piles au lithium-ion éteindra automatique l'outil lorsque ce dernier est forcé ou surchargé. Pour réinitialiser l'outil, glisser le commutateur vers la position ARRÊT, puis vers la position MARCHÉ pour continuer l'utilisation. Si

l'outil ne fonctionne toujours pas, retirer et réinsérer la pile. Ne pas forcer l'outil.

## PROTECTION CONTRE LES HAUTES TEMPÉRATURES

Les blocs-piles au lithium-ion sont équipés d'un dispositif de protection contre les hautes températures qui désactive l'outil en cas de surchauffe. Glisser le commutateur vers la position ARRÊT et laisser la pile se refroidir. Pour continuer l'utilisation, glisser le commutateur vers la position MARCHÉ.

## INSTALLATION ET RETRAIT DU BLOC-PILE

Voir la figure 1, page 10.

### Pour installer :

- Insérer le bloc-piles dans l'outil comme illustré.
- S'assurer que ses deux loquets latéraux s'engagent correctement et vérifier que le bloc-piles est bien fixé à l'outil avant d'utiliser l'outil.

### Pour retirer :

- Appuyer sur les deux loquets se trouvant sur les côtés du bloc-piles.

## COMMUTATEUR MARCHÉ-ARRÊT ET SÉLECTEUR DE VITESSES VARIABLES

Voir la figure 2, page 10.

Le sélecteur de vitesses variables fournit une vitesse plus élevée quand il est tourné sur un nombre plus grand, et une vitesse plus basse quand il est tourné sur un nombre plus petit.

Pour mettre l'outil en marche, glisser vers l'avant l'un des interrupteurs à ressort situés de chaque côté de l'outil. L'interrupteur reviendra à sa position d'origine. Pour l'éteindre, glisser vers l'avant l'un des interrupteurs à ressort situés de chaque côté de l'outil et attendre que la lame s'immobilise.

## SÉLECTEUR DE VITESSES VARIABLES

Voir la figure 2, page 11.

Le sélecteur de vitesse, situé sous la poignée de l'outil, permet à la scie de fonctionner à différentes vitesses maximales. La vitesse maximale peut être ajustée avant

# UTILISATION

ou pendant l'utilisation. Pour changer la vitesse maximale pendant l'utilisation, tenir la scie en position d'utilisation normale et tourner le sélecteur de vitesses sur le réglage de vitesse souhaité. Pour changer la vitesse maximale avant l'utilisation, tourner le sélecteur de vitesses sur le réglage souhaité et glisser le commutateur vers l'avant de l'outil pour utiliser la scie.

## RÉGLAGE UTILISATION

- A La scie fonctionne à vitesse réduite jusqu'à ce que la lame entre en contact avec la pièce à couper. La vitesse de la scie augmente automatiquement pour une coupe plus efficace.
- 1-2 Les basses vitesses sont parfaites lorsqu'une vitesse et une puissance minimales sont requises, par exemple au début des coupes.
- 3-4 Les vitesses moyennes conviennent pour couper les métaux durs, les plastiques et les laminés.
- 5-6 Les vitesses maximales produisent les meilleurs résultats lorsqu'une puissance maximale est requise, par exemple pour la coupe du bois. Les métaux mous tels que l'aluminium, le laiton et le cuivre requièrent également de hautes vitesses.

Éviter d'utiliser la scie à basse vitesse pendant des périodes prolongées. Ceci pourrait causer une surchauffe. Si la scie surchauffe, la faire refroidir en la laissant tourner à vide et à la vitesse maximum.

## INSTALLATION/RETRAIT DE LA LAME

Voir la figure 3, page 11.

Le porte-lame sans outil est équipé d'un dispositif de verrouillage qui ne nécessite pas l'usage d'une clé pour installer ou retirer la lame.

**NOTE :** La scie sauteuse est uniquement conçue pour les lames à tige en T.

### Installation des lames :

- Retirer le bloc-pile.
- Tourner le levier de serre-lame loin du bouton de réglage de l'orbite jusqu'à ressentir une résistance sur le levier, puis maintenir en place.
- Insérer la nouvelle lame le plus profondément possible dans la fente de la barre de la scie. Il est possible qu'une certaine résistance se fasse ressentir lors de l'insertion.
- Vérifier que l'arrière de la lame est correctement positionné dans l'encoche du rouleau de support.
- Relâcher le levier de verrouillage de lame. Vérifier que la lame est solidement assujettie.
- Réinstallez le bloc-pile.

**NOTE :** S'assurer que la lame est complètement insérée et fixée correctement. La lame se fixe en place lorsqu'elle est correctement installée. Ne pas utiliser l'outil si la lame n'est pas installée correctement.

### Retrait de la lame :

- Retirer le bloc-pile.
- Laisser refroidir la lame
- Tourner le levier de serre-lame loin du bouton de réglage de l'orbite jusqu'à ressentir une résistance sur le levier, puis maintenir en place.
- Retirer la lame.

## MODE DE SOUFFLANTE/ASPIRATEUR

Voir les figures 4 à 6, page 12.

La scie sauteuse est dotée d'un commutateur pratique pour gérer la poussière pendant la coupe. Le premier réglage produit un souffle d'air qui dégage la ligne de coupe. Le deuxième réglage ferme l'évent d'air de la ligne de coupe pour permettre l'aspiration de la poussière et son évacuation par l'orifice arrière.

Utiliser la scie en mode Soufflante » pour dégager la poussière de la zone de coupe ou en mode « Aspirateur » pour ramasser la poussière.

### Utiliser l'outil en mode « Soufflante » :

- Retirer le bloc-pile.
- Pousser le commutateur de soufflante/aspirateur vers la position « Soufflante ». La poussière sera délogée de la ligne de coupe.
- Réinstallez le bloc-pile.

### Utiliser l'outil en mode « Aspirateur » :

- Retirer le bloc-pile.
- Pousser le commutateur de soufflante/aspirateur vers la position « Aspirateur ».
- Glisser l'accessoire d'aspiration dans la partie incurvée de l'arrière de la base.
- Attacher un tuyau d'aspiration à l'accessoire.
- Réinstallez le bloc-pile.
- Mettre l'aspirateur en marche.
- Commencer à couper.

**NOTE :** L'accessoire d'aspiration de la poussière peut être utilisé avec la base en position de biseautage. Voir **Découpe en angle (Découpe en biseau)**.

## LAMPE DEL

Voir la figure 7, page 12.

La lumière DEL, située à l'avant de la base de l'outil, s'allume lorsque le commutateur est mis en position MARCHE pour vous donner une vue claire de la ligne de coupe sur votre surface de travail.

Si l'outil n'est pas utilisé, la fonction de temporisation fera éteindre la lumière après 10 secondes.

La lampe DÉL s'allume seulement lorsqu'un bloc-piles chargé se trouve dans l'outil.

# UTILISATION

## COUPE GÉNÉRALE

Voir la figure 7, page 12.

Placer le devant de la base de la scie contre la pièce à couper et aligner le tranchant de la lame sur la ligne de coupe tracée sur la pièce. Mettre la scie en marche et la pousser vers l'avant. Appuyer sur la scie de manière à assurer sa stabilité et la pousser vers l'avant avec un mouvement régulier et juste assez de force pour que la lame continue de couper.

### AVIS :

Ne pas forcer la scie. Cela pourrait causer une surchauffe du moteur et la cassure de la lame. Utiliser des serre-joint ou un autre système approprié pour maintenir fermement la pièce sur une surface stable.

## MOUVEMENT ORBITAL

Voir la figure 8, page 12.

La lame de la scie peut être réglée sur une coupe par mouvement orbital. L'ampleur de l'orbite est réglable, ce qui permet de couper plus rapidement et plus efficacement. Avec le mouvement orbital, la lame coupe dans sa course vers le haut, mais ne frotte pas contre le matériau lors de sa course vers le bas. Pour régler le mouvement orbital, tourner le bouton de réglage d'orbite au réglage désiré. Consulter le tableau ci-dessous pour trouver le bon réglage pour votre utilisation.

**NOTE :** Le fait de régler la position orbitale à un réglage inférieur permet d'obtenir un fini plus lisse; une coupe plus lente est toutefois requise. Un réglage plus élevé permet d'obtenir un fini plus rugueux, mais permet cependant de réaliser la coupe plus rapidement.

## COUPE DROITE

Voir la figure 9, page 12.

Une coupe rectiligne peut être obtenue en assujettissant une planche ou une règle sur la pièce à couper pour guider la base de scie. Ne couper que dans un sens. Ne jamais couper jusqu'à la moitié d'une pièce dans un sens et terminer la coupe dans l'autre.

## COUPE DE FORMES

Voir la figure 10, page 12.

Les découpes de formes sont exécutées en guidant la scie sauteuse par pression sur la poignée.

**NOTE :** Des coupes de rouleau plus exigeantes pourraient requérir une lame conçue pour la coupe de rouleau (non comprise).

### AVERTISSEMENT :

Une pression latérale excessive sur la lame peut la briser et endommager la pièce en train d'être coupée.

## COUPES EN BISEAU (COUPE EN BISEAU)

Voir les figures 11 et 12, page 13

La base peut être mise en angle de 45° à gauche ou à droite pour les coupes en biseau, avec des arrêts positifs à 0° et à 45° (gauche ou droite). Lorsque des angles précis sont nécessaires, il est recommandé d'utiliser un rapporteur.

- Retirer le bloc-pile.
- S'il est installé, retirer l'accessoire d'aspiration.
- Retirer la clé hexagonale de son logement. Fournie pour desserrer le vis pivot de la base de manière à pouvoir la retirer.

**NOTE :** Ne pas retirer complètement le vis.

Réglages d'orbite	Type de matériaux	Suggère le type de lame	TPI (dents par pouce)	Réglages de vitesse	Mouvement orbital
0	Comptoir, conseil en stratifié	Lame à bois	10-12 (lame de descente)	Positions 3-4	Pas de mouvement orbital
	Tôle	Lame pour coupe de métaux	14-24	Positions 6 ou A	Pas de mouvement orbital
1	Plastiques et P.V.C.	Lame à bois	10-12	Positions 4-6 ou A	Minime mouvement orbital
	Défilement ou courbe coupe en la bois	Lame pour coupe défilement	10-12	Positions 4-6 ou A	Pas de mouvement orbital (vitesse 0)
2	Contreplaqué, platelage et planchers en bois	Lame à bois	6-12	Positions 4-6 ou A	Moyen mouvement orbital
3	Général de bois et bois tendre	Lame à bois	6-10	Positions 4-6 ou A	Maximum mouvement orbital



# UTILISATION

- Glisser la base vers l'avant jusqu'à ce qu'elle bouge librement de gauche à droite.
- Aligner le pointeur du boîtier avec l'angle désiré indiqué sur la base.
- Une fois que l'angle choisi est atteint, glisser la base vers l'arrière jusqu'à ce que l'onglet du logement de moteur s'aligne avec la rainure appropriée se trouvant sous la base.  
**NOTE :** Lors du réglage pour la coupe précise d'un angle mesuré avec un rapporteur ou d'angles autres que la pré-réglage de 45°, les crans d'arrêt de l'arrière de la base ne sont pas utilisés.
- Serrer fermement le vis pivot de la base.
- Remettre la clé hexagonale dans le compartiment de rangement.
- Réinstallez le bloc-pile.

## COUPE PLONGEANTE

Voir les figures 13 à 15, page 13.

Selon l'épaisseur du matériau à couper, il peut être nécessaire d'effectuer un trou pilote avant d'effectuer les coupes en plongée.

### AVERTISSEMENT :

Lors des coupes plongées, prendre les précautions les plus extrêmes afin de ne pas risquer de perdre le contrôle de la scie, briser la lame ou endommager la pièce en train d'être coupée. Nous recommandons de ne pas pratiquer de coupes plongées dans des matériaux autres que le bois.

### Pour faire des trous pilotes à l'aide du forage de guidage :

- Marquer clairement la ligne de coupe sur la pièce.
- Percer un trou pilote en l'intérieur de la zone marquée par la ligne de coupe. Le trou pilote doit être assez large pour pouvoir glisser la lame dans le matériau.
- Abaisser lentement la lame dans le trou pilote de la pièce à ouvrir jusqu'au contact de la base avec la pièce à ouvrir. Glisser le commutateur vers l'avant de la scie pour la mettre en marche..
- Ne pas déplacer la scie avant la lame n'est pas complètement introduite dans la pièce à ouvrir et que la base ne soit fermement en contact avec la pièce à travailler.
- Pousser la scie vers l'avant pour achever la découpe.

### Pour faire des coupes en plongée sans trou pilote :

- Marquer clairement la ligne de coupe sur la pièce.

- Incliner la scie vers l'avant, de manière à ce qu'elle repose sur le devant de sa base et que la lame n'entre pas en contact avec la pièce à couper lorsque la scie est mise en marche.
- S'assurer que la lame est alignée avec de la partie à couper.
- Glisser le commutateur vers l'avant de la scie pour la mettre en marche et abaisser lentement la lame dans la pièce à travailler jusqu'à ce qu'elle coupe à travers.
- Continuer d'abaisser la lame dans la pièce, jusqu'à ce que la base de la scie repose à plat sur la pièce, puis pousser la scie vers l'avant pour achever la découpe.
- Pour ce type de coupe, utiliser exclusivement une lame à 6 dents par pouce.

## COUPE DE MÉTAUX

Voir la figure 16, page 13.

**NOTE :** Le mode orbital doit être désactivé pour la coupe de métaux et tuyaux. Mettre le bouton de réglage d'orbite sur « 0 ». Consulter la section intitulée **Mouvement Orbital** abordée précédemment dans ce manuel pour plus de renseignements.

Il est possible de couper plusieurs types de métaux lorsque la scie est utilisée avec une lame à métaux (non comprise). Veiller à ne pas tordre ou fléchir la lame. **Ne pas forcer.** Si la lame oscille ou vibre excessivement, la remplacer par une lame à dents plus fines. Si la lame chauffe excessivement, réduire la vitesse. Si les dents de la lames sont comblées par de la limaille lors de la coupe de métaux tendres, tels que l'aluminium, utiliser une lame plus grossière ou une vitesse plus basse. Nous recommandons d'utiliser un lubrifiant pour la coupe de métaux afin d'accroître l'efficacité de coupe, de garder la lame fraîche et de prolonger sa vie utile. Assujettir solidement la pièce et couper près du point de serrage pour éviter la vibration du matériau.

Lors de la coupe de conduits, tuyaux ou de cornières, serrer la pièce dans un étau et couper le plus près possible du point de serrage. Pour la coupe des tôles minces, placer le matériau en « sandwich » entre deux planches et utiliser des serre-joint pour empêcher les vibrations et la déchirure du matériau. Ceci permettra d'obtenir une coupe nette. Tracer le motif ou la ligne de coupe sur le « sandwich ».

**NOTE :** Lors de la coupe de métal, garder la partie exposée de la tige de la scie propre et exempte de copeaux de métal en l'essuyant fréquemment avec un chiffon huilé. Prendre toutes les précautions nécessaires lors de la mise au rebut du chiffon, pour éviter un risque d'incendie.

**NOTE : SECTION ENTRETIEN COMMENÇANT SUR 10 DE PAGE  
APRÈS LA SECTION ESPAÑOL. ILLUSTRATIONS COMMENÇANT SUR LA PAGE 11.**

# ADVERTENCIAS DE SEGURIDAD PARA HERRAMIENTAS ELÉCTRICAS

## ADVERTENCIA

Lea todas las advertencias de seguridad y las instrucciones. El incumplimiento de las advertencias e instrucciones puede ocasionar descarga eléctrica, fuego o lesiones graves.

Guarde todas las advertencias e instrucciones para futuras consultas. El término “herramienta eléctrica” empleado en todos los avisos de advertencia enumerados abajo se refiere a las herramientas eléctricas de cordón (alámbricas) y de baterías (inalámbricas).

## SEGURIDAD EN EL ÁREA DE TRABAJO

- **Mantenga limpia y bien iluminada el área de trabajo.** Un área de trabajo mal despejada o mal iluminada propicia accidentes.
- **No utilice herramientas motorizadas en atmósferas explosivas, como las existentes alrededor de líquidos, gases y polvos inflamables.** Las herramientas eléctricas generan chispas que pueden encender el polvo y los vapores inflamables.
- **Mantenga alejados a los niños y circunstancias al maniobrar una herramienta eléctrica.** Toda distracción puede causar pérdida del control de la herramienta.

## SEGURIDAD ELÉCTRICA

- **Las clavijas de las herramientas eléctricas deben corresponder a las tomas de corriente donde se conectan. Nunca modifique la clavija de ninguna forma. No utilice ninguna clavija adaptadora con herramientas eléctricas dotadas de contacto a tierra.** Conectando las clavijas originales en las tomas de corriente donde corresponden se disminuye el riesgo de una descarga eléctrica.
- **Evite el contacto del cuerpo con las superficies de objetos que estén haciendo tierra o estén conectados a ésta, como tuberías, radiadores, estufas y refrigeradores.** Existe un mayor riesgo de descargas eléctricas si el cuerpo está haciendo tierra.
- **No exponga las herramientas eléctricas a la lluvia ni a condiciones de humedad.** La introducción de agua en una herramienta eléctrica aumenta el riesgo de descargas eléctricas.
- **No maltrate el cordón eléctrico. Nunca utilice el cordón para trasladar, desconectar o tirar de la herramienta eléctrica. Mantenga el cordón alejado del calor, del aceite, de bordes afilados y de piezas móviles.** Los cordones eléctricos dañados o enredados aumentan el riesgo de descargas eléctricas.
- **Al utilizar una herramienta eléctrica a la intemperie, use un cordón de extensión apropiado para el exterior.** Usando un cordón adecuado para el exterior se disminuye el riesgo de descargas eléctricas.

- **Si debe operar una herramienta en lugares húmedos, use un suministro protegido por un interruptor de circuito con pérdida a tierra (GFCI).** El uso de un GFCI reduce el riesgo de descargas eléctricas.
- **Cargue las baterías solamente con el cargador indicado. Para utilizar con paquetes de baterías de iones de litio de 18 V,** consulte el folleto de la herramienta/aparato/paquete de baterías/cargador complementario 987000-432.

## SEGURIDAD PERSONAL

- **Permanezca alerta, preste atención a lo que esté haciendo y aplique el sentido común al utilizar herramientas eléctricas. No utilice la herramienta eléctrica si está cansado o se encuentra bajo los efectos de alguna droga, alcohol o medicamento.** Un momento de inatención al utilizar una herramienta eléctrica puede causar lesiones corporales serias.
- **Use equipo de seguridad. Siempre póngase protección ocular.** El uso de equipo de seguridad como mascarilla para el polvo, calzado de seguridad, casco y protección para los oídos en las circunstancias donde corresponda disminuye el riesgo de lesiones.
- **Evite un arranque accidental de la unidad. Asegúrese de que el interruptor esté en la posición de apagado antes de conectar la herramienta.** Portar las herramientas eléctricas con el dedo en el interruptor, o conectarlas con el interruptor puesto, propicia accidentes.
- **Retire toda llave o herramienta de ajuste antes de encender la herramienta eléctrica.** Toda llave o herramienta de ajuste dejada en una pieza giratoria de la herramienta eléctrica puede causar lesiones.
- **No estire el cuerpo para alcanzar mayor distancia. Mantenga una postura firme y buen equilibrio en todo momento.** De esta manera se logra un mejor control de la herramienta eléctrica en situaciones inesperadas.
- **Vístase adecuadamente. No vista ropas holgadas ni joyas. Mantenga el cabello y la ropa alejados de las piezas móviles.** Las ropas holgadas, las joyas y el cabello largo pueden engancharse en las piezas móviles.
- **Si se suministran dispositivos para conectar mangueras de extracción y captación de polvo, asegúrese de que éstas estén bien conectadas y se usen correctamente.** La utilización de captador de polvo puede disminuir los peligros relacionados con el polvo.
- **No permita que la familiaridad obtenida por el uso frecuente de las herramientas lo vuelva complaciente e ignore los principios de seguridad de las herramientas.** Una acción descuidada puede causar lesiones graves en una fracción de segundo.
- **No vista ropas holgadas ni joyas.** Recójase el cabello si está largo. Las ropas holgadas y las joyas, así como

# ADVERTENCIAS DE SEGURIDAD PARA HERRAMIENTAS ELÉCTRICAS

el cabello largo, pueden resultar atraídas hacia el interior de las aberturas de ventilación.

- **No utilice la unidad al estar en una escalera o en un soporte inestable.** Una postura estable sobre una superficie sólida permite un mejor control de la herramienta eléctrica en situaciones inesperadas.

## EMPLEO Y CUIDADO DE LA HERRAMIENTA ELÉCTRICA

- **Sólo cargue el paquete de baterías con el cargador especificado por el fabricante.** Un cargador adecuado para un tipo paquete de baterías puede significar un riesgo de incendio si se emplea con un paquete de baterías diferente.
- **Utilice las herramientas eléctricas sólo con los paquetes de baterías específicamente indicados.** El empleo de paquetes de baterías diferentes puede presentar un riesgo de incendio.
- **Cuando no esté utilizándose el paquete de baterías, manténgalo lejos de otros objetos metálicos, como clips, monedas, llaves, clavos, tornillos o otros objetos metálicos, pequeños que puedan establecer conexión entre ambas terminales.** Establecer una conexión directa entre las dos terminales de las baterías puede causar quemaduras o incendios.
- **Si se maltratan las baterías, puede derramarse líquido de las mismas; evite todo contacto con éste. En caso de contacto, lávese con agua. Si el líquido llega a tocar los ojos, además busque atención médica.** El líquido de las baterías puede causar irritación y quemaduras.
- **No utilice un paquete de baterías o una herramienta que esté dañado o modificado.** Las baterías dañadas o modificadas pueden tener un funcionamiento impredecible que provoque incendios, explosiones o riesgo de lesiones.
- **No exponga el paquete de baterías o una herramienta al fuego o a temperaturas excesivas.** La exposición al fuego o a temperatura sobre los 130 °C (265 °F) puede provocar explosiones.
- **Siga todas las instrucciones de carga y no cargue el paquete de baterías ni la herramienta fuera del rango de temperaturas especificado en las instrucciones.** Si realiza la carga en forma incorrecta o fuera de las temperaturas del rango especificado puede dañar la batería y aumentar el riesgo de incendios.
- **Mantenga los mangos y superficies de agarre limpias y libres de aceite y grasa.** Los mangos y superficies de agarre resbalosas no permiten la manipulación y control seguro de la herramienta en situaciones inesperadas.

## EMPLEO Y CUIDADO DE LA HERRAMIENTA DE BATERÍAS

- **Sólo cargue el paquete de baterías con el cargador especificado por el fabricante.** Un cargador adecuado para un tipo paquete de baterías puede significar un riesgo de incendio si se emplea con un paquete de baterías diferente.
- **Utilice las herramientas eléctricas sólo con los paquetes de baterías específicamente indicados.** El empleo de paquetes de baterías diferentes puede presentar un riesgo de incendio.
- **Cuando no esté utilizándose el paquete de baterías, manténgalo lejos de otros objetos metálicos, como clips, monedas, llaves, clavos, tornillos o otros objetos metálicos, pequeños que puedan establecer conexión entre ambas terminales.** Establecer una conexión directa entre las dos terminales de las baterías puede causar quemaduras o incendios.
- **Si se maltratan las baterías, puede derramarse líquido de las mismas; evite todo contacto con éste. En caso de contacto, lávese con agua. Si el líquido llega a tocar los ojos, además busque atención médica.** El líquido de las baterías puede causar irritación y quemaduras.
- **No utilice un paquete de baterías o una herramienta que esté dañado o modificado.** Las baterías dañadas o modificadas pueden tener un funcionamiento impredecible que provoque incendios, explosiones o riesgo de lesiones.
- **No exponga el paquete de baterías o una herramienta al fuego o a temperaturas excesivas.** La exposición al fuego o a temperatura sobre los 130 °C (265 °F) puede provocar explosiones.
- **Siga todas las instrucciones de carga y no cargue el paquete de baterías ni la herramienta fuera del rango de temperaturas especificado en las instrucciones.** Si realiza la carga en forma incorrecta o fuera de las temperaturas del rango especificado puede dañar la batería y aumentar el riesgo de incendios.

## SERVICIO




- **Permita que un técnico de reparación calificado preste servicio a la herramienta eléctrica, y sólo con piezas de repuesto idénticas.** De esta manera se mantiene la seguridad de la herramienta eléctrica.
- **Al dar servicio a una herramienta eléctrica, sólo utilice piezas de repuesto idénticas. Siga las instrucciones señaladas en la sección Mantenimiento de este manual.** El empleo de piezas no autorizadas o el incumplimiento de las instrucciones de mantenimiento puede significar un riesgo de descarga eléctrica o de lesiones.

# ADVERTENCIAS DE SEGURIDAD SIERRA DE VAIVÉN







- **Sujete las herramientas eléctricas por las superficies aisladas de sujeción al efectuar una operación en la cual la herramienta de corte pueda entrar en contacto con cables ocultos o con su propio cordón eléctrico.** Todo contacto de una herramienta con un cable cargado carga las piezas metálicas expuestas de la herramienta y da una descarga eléctrica al operador.
- **Utilice prensas o cualquier otro medio práctico de asegurar y sostener la pieza de trabajo en una plataforma segura.** Sostener la pieza con la mano o contra el cuerpo es inestable y puede causar una pérdida de control.
- **Familiarícese con su herramienta eléctrica. Lea cuidadosamente el manual del operador. Aprenda sus usos y limitaciones, así como los posibles peligros específicos de esta herramienta eléctrica.** Con el cumplimiento de esta regla se reduce el riesgo de una descarga eléctrica, incendio o lesión seria.
- **Siempre use protección ocular con laterales protectores con la marca de cumplimiento con la norma ANSI Z87.1 al ensamblar piezas, utilizar la herramienta o llevar a cabo tareas de mantenimiento.** Con el cumplimiento de esta regla se reduce el riesgo de lesiones corporales serias.
- **Protéjase los pulmones. Use una careta o mascarilla contra el polvo si la operación genera mucho polvo.** Con el cumplimiento de esta regla se reduce el riesgo de lesiones serias.
- **Protéjase los oídos. Durante períodos prolongados de utilización del producto, póngase protección para los oídos.** Con el cumplimiento de esta regla se reduce el riesgo de lesiones corporales serias.
- **Revise para ver si hay piezas dañadas. Antes de seguir utilizando la herramienta, es necesario inspeccionar cuidadosamente toda protección o pieza dañada para determinar si funcionará correctamente y desempeñará la función a la que está destinada. Verifique la alineación de las partes móviles, que no haya atoramiento de las mismas, que no haya piezas rotas, el montaje de las piezas y cualquier otra condición que pudiera afectar su funcionamiento. Toda protección o pieza que esté dañada debe repararse apropiadamente o reemplazarse en un centro de servicio autorizado.** Con el cumplimiento de esta regla se reduce el riesgo de una descarga eléctrica, incendio o lesión grave.
- **Inspeccione la madera y elimine todos los clavos presentes en la misma antes de usar esta herramienta.** Con el cumplimiento de esta regla se reduce el riesgo de lesiones serias.
- **No se necesita conectar a una toma de corriente las herramientas de baterías; por lo tanto, siempre están en condiciones de funcionamiento. Esté consciente de los posibles peligros cuando no esté usando la herramienta de baterías o cuando esté cambiando los accesorios de la misma.** Con el cumplimiento de esta regla se reduce el riesgo de una descarga eléctrica, incendio o lesión corporal seria.
- **No coloque herramientas de baterías ni las baterías mismas cerca del fuego o del calor.** De esta manera se reduce el riesgo de explosiones y de lesiones.
- **No aplaste, deje caer o dañe de baterías. Nunca utilice una batería o cargador que se ha caído, aplastado, recibido un golpe contundente o ha sido dañado(a) de alguna manera.** Las baterías dañadas pueden sufrir explosiones. Deseche de inmediato toda batería que haya sufrido una caída o cualquier daño.
- **Las baterías pueden explotar en presencia de fuentes de inflamación, como los pilotos de gas.** Para reducir el riesgo de lesiones serias, nunca use un producto inalámbrico en presencia de llamas expuestas. La explosión de una batería puede lanzar fragmentos y compuestos químicos. Si ha quedado expuesto a la explosión de una batería, lávese de inmediato con agua.
- **En condiciones extremas de uso o temperatura las baterías pueden emanar líquido. Si el líquido llega a tocarle la piel, lávese de inmediato con agua y jabón. Si le entra líquido en los ojos, láveselos con agua limpia por lo menos 10 minutos, y después busque de inmediato atención médica.** Con el cumplimiento de esta regla se reduce el riesgo de lesiones corporales serias.
- **Guarde estas instrucciones.** Consúltelas con frecuencia y empléelas para instruir a otras personas que puedan utilizar esta herramienta. Si presta a alguien esta herramienta, facilítele también las instrucciones.

# SÍMBOLOS

Las siguientes palabras de señalización y sus significados tienen el objeto de explicar los niveles de riesgo relacionados con este producto.

SÍMBOLO	SEÑAL	SIGNIFICADO
	<b>PELIGRO:</b>	Indica una situación peligrosa, la cual, si no se evita, causará la muerte o lesiones serias.
	<b>ADVERTENCIA:</b>	Indica una situación peligrosa, la cual, si no se evita, podría causar la muerte o lesiones serias.
	<b>PRECAUCIÓN:</b>	Indica una situación peligrosa, la cual, si no se evita, podría causar lesiones menores o leves.
	<b>AVISO:</b>	(Sin el símbolo de alerta de seguridad) Indica la información que se considera importante, pero no relacionada con lesiones potenciales (por ej. en relación a daños a la propiedad).

Es posible que se empleen en este producto algunos de los siguientes símbolos. Le suplicamos estudiarlos y aprender su significado. Una correcta interpretación de estos símbolos le permitirá utilizar mejor y de manera más segura el producto.

SÍMBOLO	NOMBRE	DENOMINACIÓN/EXPLICACIÓN
	Alerta de seguridad	Indica un peligro posible de lesiones personales.
	Lea el manual del operador	Para reducir el riesgo de lesiones, el usuario debe leer y comprender el manual del operador antes de usar este producto.
	Protección ocular	Siempre póngase protección ocular con protección lateral con la marca de cumplimiento de la norma ANSI Z87.1.
	Alerta de condiciones húmedas	No exponga la unidad a la lluvia ni la use en lugares húmedos.
	Símbolo de no acercar las manos	Si no mantiene las manos alejadas de la hoja de corte, se causará serias lesiones corporales.
	Símbolo de reciclado	Este producto utiliza baterías de iones de litio (Li-ion). Es posible que algunas leyes municipales, estatales o federales prohíban desechar las baterías en la basura normal. Consulte a las autoridades reguladoras de desechos para obtener información en relación con las alternativas de reciclado y desecho disponibles.
V	Volts	Voltaje
min	Minutos	Tiempo
==	Corriente continua	Tipo o característica de corriente
n <sub>0</sub>	Velocidad en vacío	Velocidad de rotación, en vacío
.../min	Por minuto	Revoluciones, carreras, velocidad superficial, órbitas, etc., por minuto

# CARACTERÍSTICAS

## ESPECIFICACIONES DEL PRODUCTO

Carreras por minuto ..... 900-3 200/min. (SPM)      Ángulo de corte.....0° a 45° (a la izquierda y a la derecha)  
 Longitud de la carrera ..... 25,4 mm (1 pulg.)      Movimiento orbital.....4 ajustes

# ARMADO

## ADVERTENCIA:

No use este producto si no está totalmente ensamblado o si alguna pieza falta o está dañada. El uso de un producto que no está adecuadamente y completamente ensamblado o posee partes dañadas o faltantes puede resultar en lesiones personales graves.

## ADVERTENCIA:

No intente modificar este producto ni crear aditamentos o accesorios que no estén recomendados para usar con este producto. Dichas alteraciones o modificaciones constituyen un uso indebido y podrían provocar una situación de riesgo que cause posibles lesiones personales graves.

Si hay piezas dañadas o faltantes, le suplicamos llamar al 1-800-525-2579, donde le brindaremos asistencia.

# FUNCIONAMIENTO

## ADVERTENCIA:

No permita que su familiarización con las herramientas lo vuelva descuidado. Tenga presente que un descuido de un instante es suficiente para causar una lesión grave.

## ADVERTENCIA:

Siempre retire el paquete de baterías de la herramienta cuando esté ensamblando partes, realizando ajustes, limpiando o cuando ésta no esté en uso. Retirando el paquete de baterías se evita arrancar accidentalmente la unidad, lo cual puede causar lesiones serias.

## ADVERTENCIA:

Siempre póngase protección ocular con protección lateral con la marca de cumplimiento de la norma ANSI Z87.1. Si no cumple esta advertencia, los objetos que salen despedidos pueden producirle lesiones serias en los ojos.

## ADVERTENCIA:

No utilice ningún aditamento o accesorio no recomendado por el fabricante de esta producto. El empleo de aditamentos o accesorios no recomendados podría causar lesiones serias.

## APLICACIONES

Esta herramienta puede emplearse para los fines enumerados abajo:

- Para cortar todo tipo de productos de madera, corte de chapa metálica delgada, corte de plásticos y laminados

## PROTECCIÓN CONTRA SOBRECARGAS

Cuando se fuerce o sobrecargue la herramienta, el paquete de baterías de iones de litio apagará la herramienta en forma automática. Para restablecer la herramienta, deslice el interruptor a la posición de apagado y luego vuelva a encenderla para reanudar la operación. Si aun así no funciona,

quite y vuelva a instalar los paquete de batería. No fuerce la herramienta.

## PROTECCIÓN CONTRA ALTAS TEMPERATURAS

Los paquetes de baterías de iones de litio están equipados con una función de protección contra altas temperaturas que desactiva la herramienta automáticamente cuando se sobrecalienta. Deslice el interruptor a la posición de apagado (OFF) y deje que la batería se enfríe. Para reanudar la operación, deslice el interruptor a la posición de encendido (ON).

## INSTALACIÓN/DESMONTAR DEL PAQUETE DE BATERÍAS

*Vea la figura 1, página 11.*

### Para instalar:

- Coloque el paquete de baterías en el producto como se muestra.
- Asegúrese de que los pestillos situados a ambos lados del paquete de baterías entren completamente en su lugar con un chasquido y de que el paquete quede bien asegurado en la herramienta antes de comenzar a utilizarla.

### Para desmontar:

- Al oprimirse los pestillos situados en ambos lados del paquete de baterías.

## INTERRUPTOR DE ENCENDIDO/APAGADO (ON-OFF) Y SELECTOR DE VELOCIDAD VARIABLE

*Vea la figura 2, página 11.*

El selector de velocidad variable ofrece una velocidad más alta cuando se gira a un número más grande y una velocidad más lenta cuando se gira a un número más pequeño.

Para encender la herramienta, deslice uno de los interruptores con resorte a uno de los lados de la herramienta hacia adelante. El interruptor volverá a la posición original. Para apagarla, deslice uno de los interruptores con resorte a uno lado de la herramienta hacia adelante y deje que la hoja se detenga por completo.

# FUNCIONAMIENTO

## SELECTOR DE VELOCIDAD VARIABLE

Vea la figura 2, página 11.

El selector de velocidad, ubicado debajo del mango de la herramienta, permite que la sierra funcione a diferentes velocidades máximas. La velocidad máxima puede ajustarse antes o durante el funcionamiento de la herramienta. Para cambiar la velocidad máxima durante el funcionamiento, sostenga la sierra en una posición de funcionamiento normal y gire el selector de velocidad hasta el ajuste de velocidad deseado. Para cambiar la velocidad máxima antes de la operación, gire el selector de velocidad a la configuración deseada y deslice el botón interruptor hacia el frente de la herramienta para operar la sierra.

### CONFIGURACIÓN      FUNCIONAMIENTO

- |     |   |
|-----|---|
| A   | La sierra funciona a velocidades reducidas hasta que la hoja hace contacto con la pieza de trabajo. La velocidad de la sierra se incrementará automáticamente para proporcionar el corte más eficiente.                               |
| 1-2 | Las velocidades bajas son ideales cuando se necesitan velocidad y potencia mínimas; por ejemplo, para comenzar cortes.  |
| 3-4 | Las velocidades medias son apropiadas para cortar metales duros, plásticos y láminas.   |
| 5-6 | Las velocidades máximas producen los mejores resultados cuando se necesita máxima potencia; por ejemplo, para cortar madera. Los metales blandos, como el aluminio, el cobre y el bronce, también podrían requerir velocidades altas. |

Evite utilizar la sierra a velocidad baja durante períodos de tiempo prolongados. Si se hace funcionar la sierra a baja velocidad en uso constante puede recalentarse. Si ocurre tal situación, enfríe la sierra poniéndola a funcionar en vacío y a toda velocidad.

## INSTALAR Y DESMONTAJE LAS HOJAS

Vea la figura 3, página 11.

La mordaza para ajustar hojas sin herramientas no requiere el uso de una llave de ajuste para instalar o quitar la hoja.

**NOTA:** La sierra de vaivén está diseñada para usar únicamente cuchillas con conector o vástago en T.

### Para instalar las hojas:

- Retire el paquete de batería.
- Gire la palanca de la abrazadera de la cuchilla alejándola de la perilla de ajuste orbital hasta que sienta resistencia en la palanca y manténgala en su lugar.
- Introduzca la hoja de corte tanto como sea posible en la ranura de la barra de la sierra. Al hacer esto, se puede sentir cierta resistencia.
- Revise para asegurarse de que la parte posterior de la hoja de corte esté centrada en la ranura de la guía del rodillo.
- Suelte la palanca de la mordaza de la hoja. Asegúrese de que la hoja esté firmemente en su lugar.

- Réinstalar el paquete de batería

**NOTA:** Revise que la cuchilla esté totalmente insertada y completamente asegurada. La cuchilla se fijará en su posición si está correctamente instalada. No utilice la herramienta si la hoja no está instalada correctamente.

### Para quitar hoja:

- Retire el paquete de batería.
- Espere a que la hoja se enfríe.
- Gire la palanca de la abrazadera de la cuchilla alejándola de la perilla de ajuste orbital hasta que sienta resistencia en la palanca y manténgala en su lugar.
- Quite la hoja de corte.

## MODO SOPLADOR/ASPIRADORA

Vea las figuras 4 a 6, página 12.

La sierra de vaivén cuenta con un práctico interruptor para lidiar con el polvo mientras se realizan cortes. La primera configuración emite aire para limpiar la línea de vista mientras se realizan cortes. La segunda configuración apaga el aire de las rejillas de ventilación de la línea de vista para que el polvo sea aspirado a través de la abertura de salida de polvo trasera.

La sierra se puede usar, ya sea en modo soplador, para limpiar el polvo del área de corte, o en modo aspiradora, para captar el polvo.

### Para usar en modo soplador de polvo:

- Retire el paquete de batería.
- Ponga el interruptor de soplador/aspiradora en la posición soplador. El polvo de la línea de corte se soplará.
- Réinstalar el paquete de batería

### Para usar en modo aspiradora:

- Retire el paquete de batería.
- Ponga el interruptor de soplador/aspiradora en la posición aspiradora.
- Con un movimiento de deslizamiento coloque el aditamento para succión de aserrín dentro del área curva, en la parte posterior de la base.
- Conecte una manguera de aspiradora al accesorio.
- Réinstalar el paquete de batería
- Encienda la aspiradora.
- Comience a cortar.

**NOTA:** El accesorio de aspiradora para recolección de polvo se puede usar con la base en la posición de biselado. Consulte Corte en ángulo (corte en bisel).

## LUZ LED

Vea la figura 7, página 12.

La luz LED está ubicada en el frente de la base de la herramienta y se ilumina al mover el interruptor a la posición de encendido (ON) para brindarle una vista clara de la línea de corte en la superficie de trabajo.

# FUNCIONAMIENTO

Si la herramienta no está en uso, la función de inactividad hará que la luz se apague después de 10 segundos.

La luz de diodo luminiscente se enciende sólo cuando se coloca una batería cargada en la herramienta.

## CORTES GENERALES

Vea la figura 7, página 12.

Deje descansar la parte frontal de la base de la sierra en la pieza de trabajo y alinee el borde de corte de la hoja con la línea de dicha pieza. Asegúrese de que el cordón eléctrico no estorbe y no esté en la línea de corte. Encienda la sierra y desplácela hacia adelante por la superficie de la pieza de trabajo. Aplique presión hacia abajo para mantener estable la sierra, y hacia adelante aplique sólo la presión suficiente para mantener la sierra cortando.

### AVISO:

No fuerce la sierra. Si se fuerza la sierra puede recalentarse el motor y romperse la hoja de corte. Utilice prensas o cualquier otro medio práctico de asegurar y sostener la pieza de trabajo en una plataforma segura.

## MOVIMIENTO ORBITAL

Vea la figura 8, página 11.

La hoja de la sierra se puede configurar para cortar con un movimiento orbital. Esta característica es ajustable y proporciona un corte más rápido y eficiente. Con el movimiento orbital la hoja corta la pieza de trabajo en la carrera ascendente pero no roza la pieza durante la carrera descendente. Para ajustar el movimiento en órbita, gire la perilla de ajuste orbital a la marca deseada. Consulte el siguiente gráfico para encontrar la configuración indicada para su aplicación.

Órbitas alternativas	Tipo de material	Sugirió tipo de hoja	TPI (dientes por pulgada)	Configuración de la velocidad	Movimiento en órbita
0	Encimera, tablero laminado	Hoja para corte de madera	10-12 (hoja de bajada)	Posiciones 3-4	Ningún movimiento orbital
	Lámina metálica	Hoja para corte de metal	14-24	Posiciones 6 o A	Ningún movimiento orbital
1	Plásticos y PVC	Hoja para corte de madera	10-12	Posiciones 4-6 o A	Movimiento orbital mínima
	Desplazamiento o cortes curvados en madera	Hoja para corte de desplazamiento	10-12	Posiciones 4-6 o A	Ningún movimiento orbital (velocidad 0)
2	Madera contrachapada, entarimado y pisos de madera	Hoja para corte de madera	6-12	Posiciones 4-6 o A	Movimiento orbital mediano
3	Madera en general y madera suave	Hoja para corte de madera	6-10	Posiciones 4-6 o A	Movimiento orbital mediano

**NOTA:** Ajustar la posición orbital a una marca inferior provocará un acabado más liso, pero un corte más lento. Una marca superior provocará un acabado más áspero, pero un corte más rápido.

## CORTES RECTOS

Vea la figura 9, página 12.

Pueden realizarse cortes rectos fijando con prensas de mano una tabla recta o regla en la pieza de trabajo y guiando el borde de la base de sierra contra la misma. Realice el corte en una sola dirección. No corte hasta medio camino, para luego completar el corte a partir del extremo opuesto.

## CORTES CONTORNEADOS

Vea la figura 10 página 12.

Pueden efectuarse cortes contorneados con la sierra de vaivén; para ello, guíe la dirección del corte aplicando presión lateral en el mango.

**NOTA:** El calado de tolerancia más ajustada podría requerir el uso de una hoja de calado (no incluida).



### ADVERTENCIA:

Una presión lateral excesiva puede producir la ruptura de la hoja o daños en la pieza de trabajo.

## CORTE DE ÁNGULO (CORTE EN BISEL)

Vea las figuras 11 y 12, página 12 y 13.

La base puede ponerse a 45° a la izquierda o derecha para el corte con bisel, con topes positivos a 0 y 45° (izquierda y derecha). Cuando se requieren cortes precisos, se recomienda utilizar un transportador de ángulos.

- Retire el paquete de batería.
- Si está conectado el accesorio para aspiradora, desmóntelo.



# FUNCIONAMIENTO

- Retire la llave hexagonal de su lugar de guardarse. Afloje la tornillo del pivote de la base hasta que la pueda desmontar.

**NOTA:** No quite la tornillo por completo.

- Deslice la base hacia adelante hasta que pueda moverse libremente de izquierda a derecha.
- Alinee el puntero de la carcasa con el ángulo deseado indicado en la base.
- Una vez que se alcanzó el ángulo deseado, deslice la base hacia atrás hasta que la lengüeta en el alojamiento del motor se alinee con la muesca correcta en la parte posterior de la base.

**NOTA:** Al preparar la unidad con un transportador de ángulos con el fin de efectuar cortes precisos, o para ángulos diferentes de los prefijados a incrementos de 45°, no se usan las muescas de tope de la parte posterior de la base.

- Apriete firmemente la tornillo del pivote de la base.
- Vuelva a colocar la llave hexagonal en el compartimiento.
- Réinstalar el paquete de batería.

## CORTES DE PENETRACIÓN

Vea las figuras 13 a 15, página 13.

Dependiendo del espesor del material que se está cortando, es posible que deba taladrar un agujero guía antes de efectuar cortes de penetración.

### ADVERTENCIA:

Para evitar perder el control, romper hojas o dañar la pieza de trabajo, siempre tenga extrema precaución al efectuar cortes de penetración. No recomendamos efectuar cortes de penetración en ningún material que no sea madera.

#### Para realizar cortes de penetración utilizando agujeros guía:

- Marque claramente la línea de corte en la pieza de trabajo.
- Perfore un agujero guía a través de área marcada por la en la línea de corte. El agujero guía debe ser lo suficientemente grande como para poder deslizar la hoja a través del material.
- Haga descender lentamente la hoja a través del agujero guía de la pieza de trabajo hasta que la base entre en contacto con la pieza. Deslice el interruptor hacia la parte delantera de la sierra para encender la sierra.
- Solo mueva la sierra hacia adelante cuando la hoja haya atravesado por completo la pieza de trabajo y la base toque completamente dicha pieza.
- Mueva hacia adelante la sierra para terminar la abertura.

#### Para realizar cortes de penetración sin utilizar agujeros guía:

- Marque claramente la línea de corte en la pieza de trabajo.

- Incline hacia adelante la sierra, de manera que descansa en el borde delantera de la base y la hoja no toque la pieza de trabajo al encender la sierra.

- Asegúrese de que la hoja esté dentro del área del corte.
- Deslice el interruptor hacia la parte delantera de la sierra para encender la sierra y baje lentamente la hoja hacia la pieza de trabajo hasta que la hoja corte el material.
- Continúe bajando e introduciendo la hoja en la pieza de trabajo hasta que la base descansa completamente abatida sobre la superficie de la pieza de trabajo, y después desplace hacia adelante la sierra para completar el corte.
- Para este tipo de corte sólo utilice hoja de 6 dientes por pulgada.

## CORTE DE METALES

Vea la figura 16, página 13.

**NOTA:** La sierra debe estar en el modo de corte sin órbita para cortar metales y tubo conduit. Ponga el ajuste de órbita en "0". Consulte la sección Orbital Motion descrita anteriormente en este manual, para obtener más detalles.

Se pueden cortar numerosas clases de metales con la sierra utilizando una hoja para cortar este tipo de material. Tenga cuidado de no torcer o doblar la hoja de la sierra. No fuerce la herramienta. Si la hoja traquetea o vibra excesivamente, use una hoja de dientes más finos para corte de metales. Si la hoja se calienta excesivamente, aplique una velocidad más baja. Si los dientes de la hoja se llenan o cubren de limaduras al cortar metales suaves como el aluminio, utilice una hoja de dientes más bastos o una velocidad más baja. Recomendamos utilizar lubricante al cortar metales para mantener frías las hojas, aumentar la eficacia del corte y prolongar la duración de las mismas. Sujete firmemente la pieza de trabajo con prensas y corte cerca del punto de sujeción para eliminar toda vibración posible de la pieza.

Al cortar tubo conduit, así como tubo o ángulo de hierro, sujete la pieza de trabajo en una prensa de banco si es posible y corte cerca de la prensa. Para cortar material en forma de lámina delgada, "emparedelo" entre dos paneles de madera prensada o contrachapada y sujete las capas con prensas para eliminar la vibración y el desgarramiento del material. Haciendo esto el material se corta de manera eficiente. Coloque el dibujo o línea de corte encima del "emparedado".

**NOTA:** Al cortar metal, mantenga la porción expuesta de la hoja limpia y libre de limaduras de metal limpiándola frecuentemente con un paño impregnado de aceite. Tenga extrema precaución al desechar el paño impregnado de aceite después de terminar el trabajo, para evitar un peligro de incendio.

## MAINTENANCE

### **WARNING:**

When servicing, use only identical replacement parts. Use of any other parts could create a hazard or cause product damage.

### **GENERAL MAINTENANCE**

Avoid using solvents when cleaning plastic parts. Most plastics are susceptible to damage from various types of commercial solvents and may be damaged by their use. Use clean cloths to remove dirt, dust, oil, grease, etc.

## ENTRETIEN

### **AVERTISSEMENT :**

Utiliser exclusivement des pièces d'origine pour les réparations. L'usage de toute autre pièce pourrait créer une situation dangereuse ou endommager l'produit.

### **ENTRETIEN GÉNÉRAL**

Éviter d'utiliser des solvants pour le nettoyage des pièces en plastique. La plupart des matières plastiques peuvent être endommagées par divers types de solvants du commerce. Utiliser un chiffon propre pour éliminer la saleté, la poussière, l'huile, la graisse, etc.

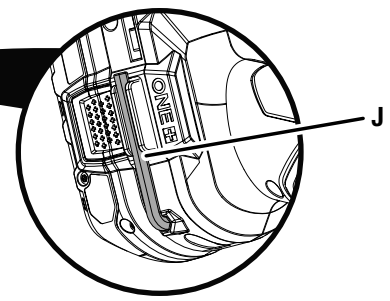
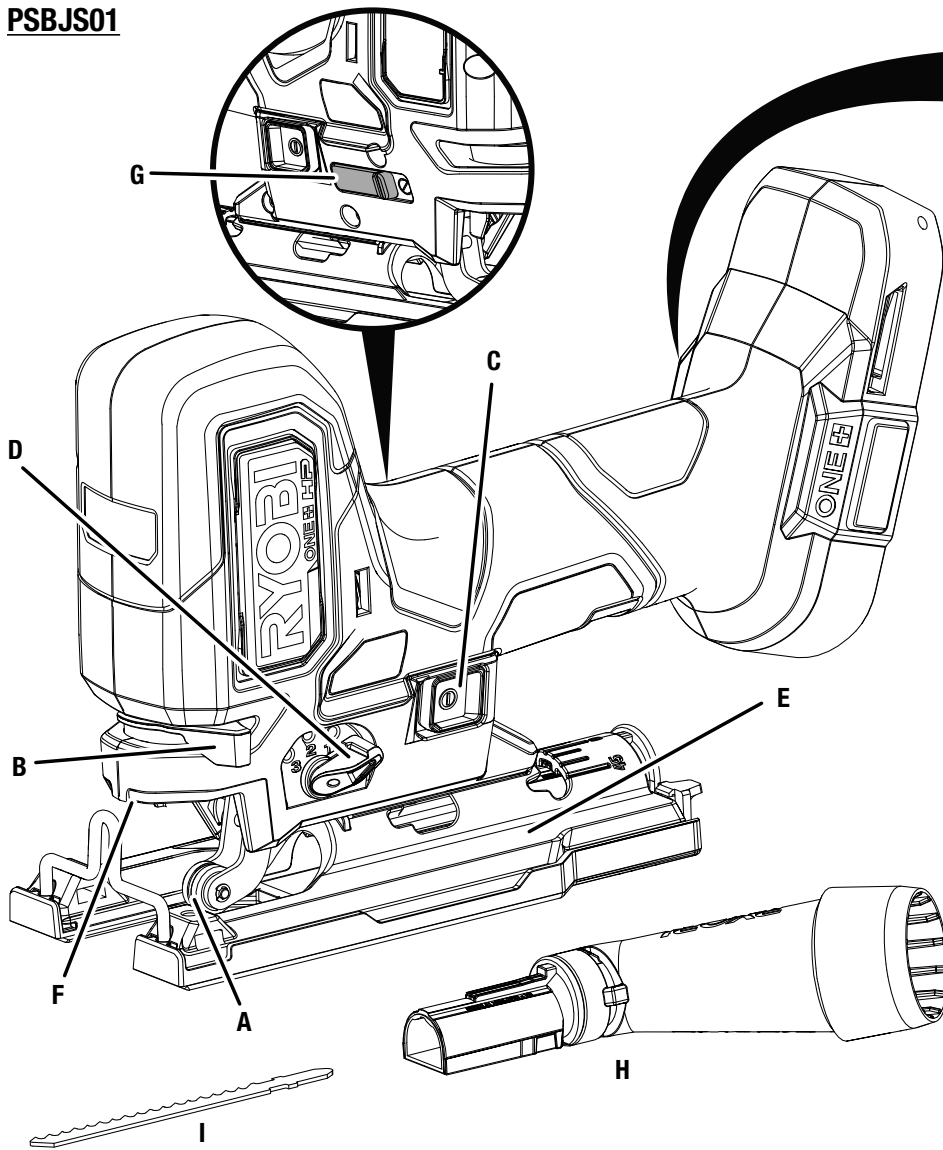
## MANTENIMIENTO

### **ADVERTENCIA:**

Al dar servicio a la unidad, sólo utilice piezas de repuesto idénticas. El empleo de piezas diferentes podría causar un peligro o dañar el producto.

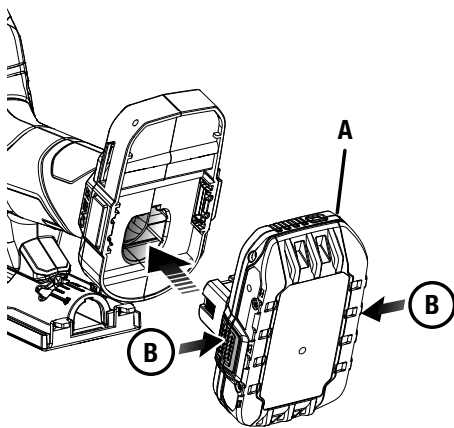
### **MANTENIMIENTO GENERAL**

Evite el empleo de solventes al limpiar piezas de plástico. La mayoría de los plásticos son susceptibles a diferentes tipos de solventes comerciales y pueden resultar dañados. Utilice paños limpios para eliminar la suciedad, el polvo, el aceite, la grasa, etc.



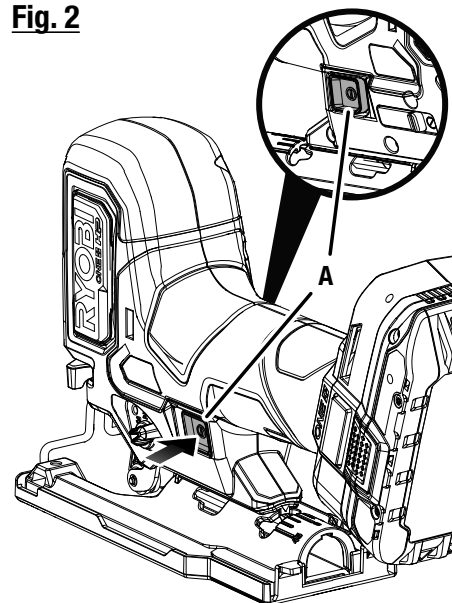
- A - Blade-support roller (rouleau d'appui de la lame, rodillo de soporte de la hoja)
- B - Blade clamp lever (levier de verrouillage de lame, palanca de la mordaza de la hoja)
- C - ON/OFF switch (commutateur MARCHÉ/ARRÊT, interruptor de ENCENDIDO/APAGADO)
- D - Orbital adjustment knob (bouton de réglage d'orbite, perilla de ajuste de órbita)
- E - Base (base, base)
- F - LED light (lampe à DEL, diodo lumineux)
- G - Blower/vacuum switch (commutateur de soufflant/aspirateur, interruptor de soplador/aspiradora)
- H - Dust collection vacuum attachment (accessoire d'aspiration, aditamento para succión de aserrín)
- I - T-shank saw blade (lame de scie à tige en T, hoja de la sierra con fuste en "T")
- J - Hex key (clé hex, llave hexagonal)

**Fig. 1**



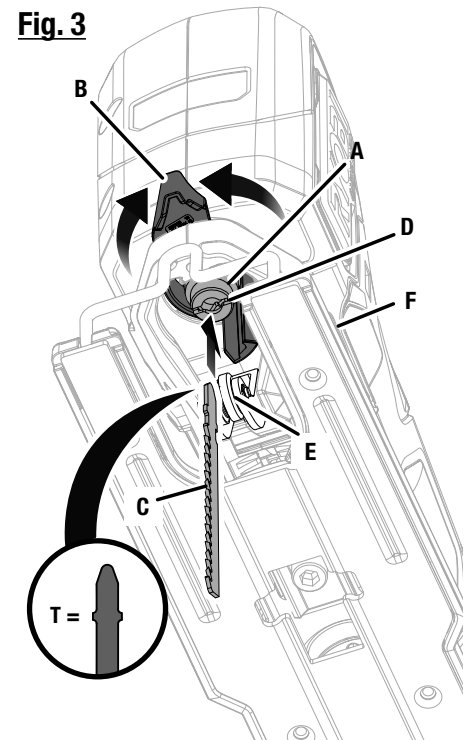
- A - Battery pack (bloc-piles, paquete de baterías)
- B - Depress latches to release battery pack (appuyer sur le loquet pour libérer le bloc-piles, para soltar el paquete de baterías oprima el pestillo)

**Fig. 2**



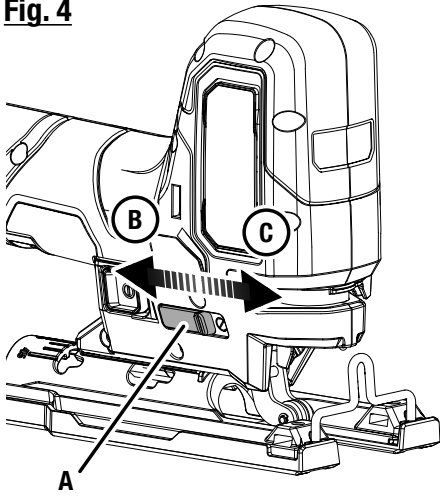
- A - ON/OFF switch (commutateur MARCHÉ/ARRÊT, interruptor de ENCENDIDO/APAGADO)

**Fig. 3**



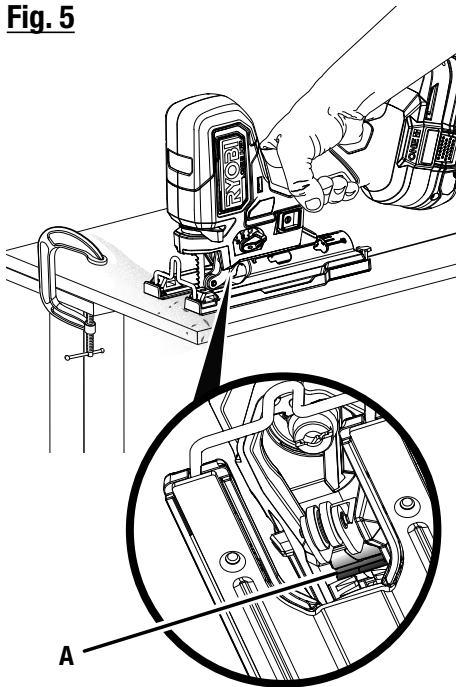
- A - Saw bar (barre de la scie, barra de la sierra)
- B - Blade clamp lever (levier de verrouillage de lame, palanca de la mordaza de la hoja)
- C - Saw blade (lame, hoja de la sierra)
- D - Slot (fente, ranura)
- E - Blade support roller (rouleau d'appui de la lame, rodillo de soporte de la hoja)
- F - Orbital adjustment knob (bouton de réglage d'orbite, perilla de ajuste de órbita)

**Fig. 4**



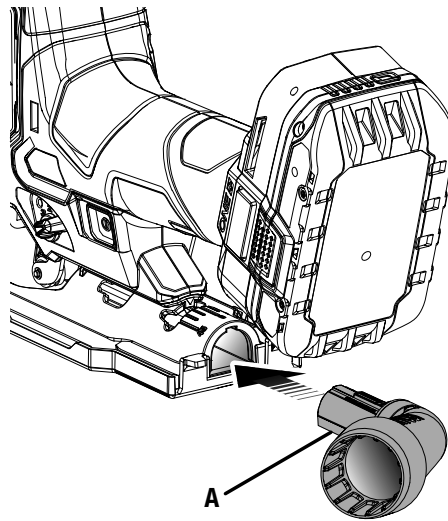
A - Blower/vacuum switch (commutateur de soufflant/aspirateur, interruptor de soplador/aspiradora)  
B - Vacuum position ON [aspirateur en position MARCHÉ, posición de aspiradora (ON)]  
C - Blower position ON [souffleuse en position MARCHÉ, posición de sopladora (ON)]

**Fig. 5**



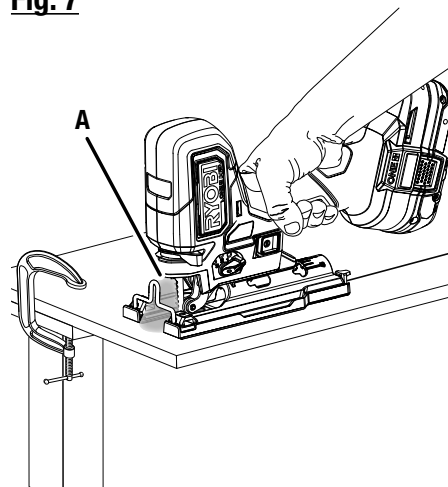
A - Blower port (orifice de soufflante, abertura de la sopladora)

**Fig. 6**



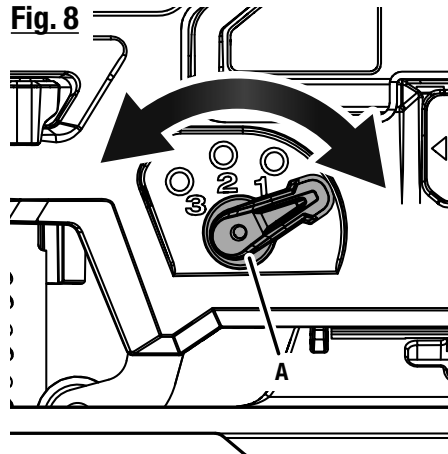
A - Dust collection vacuum attachment (accessoire d'aspiration, aditamento para succión de aserrín)

**Fig. 7**



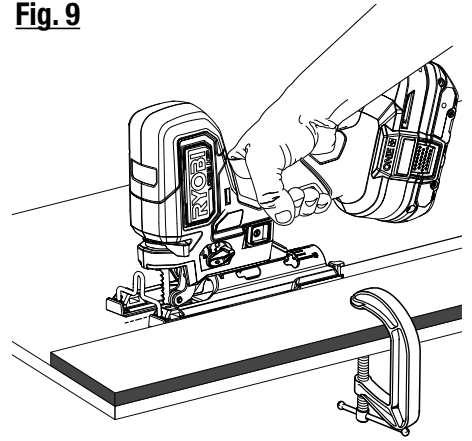
A - LED light (lampe à DEL, diodo luminescente)

**Fig. 8**

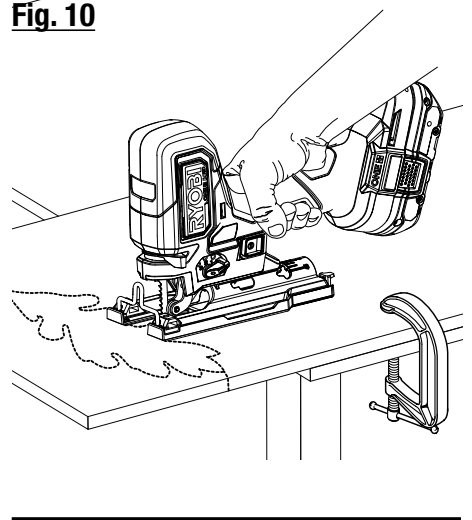


A - Orbital adjustment knob (bouton de réglage d'orbite, perilla de ajuste de órbita)

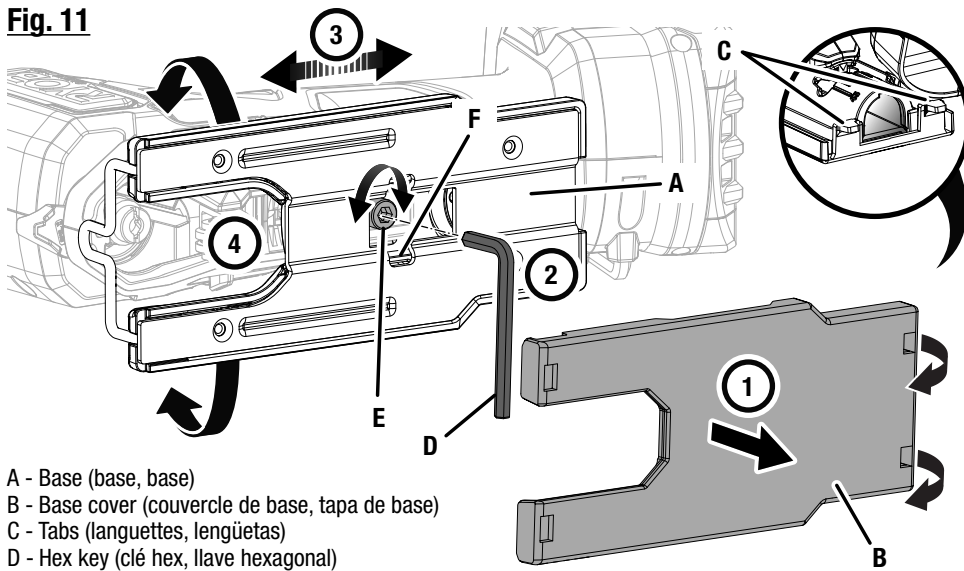
**Fig. 9**



**Fig. 10**



**Fig. 11**



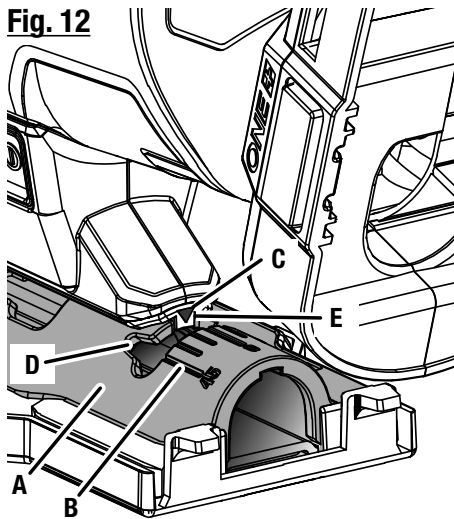
- A - Base (base, base)
- B - Base cover (couvercle de base, tapa de base)
- C - Tabs (languettes, lengüetas)
- D - Hex key (clé hex, llave hexagonal)
- E - Base pivot screw (vis pivot de la base, tornillo del pivote de la base)
- F - Notches (notches, notches)

SLIDE BASE FORWARD TO ADJUST ANGLE  
 SLIDE BASE BACKWARD TO LOCK IN AT  
 DESIRED ANGLE

GLISSER LA BASE VERS L'ARRIÈRE POUR  
 RÉGLER L'ANGLE  
 GLISSER LA BASE VERS L'AVANT POUR  
 BLOQUER À L'ANGLE CHOISI

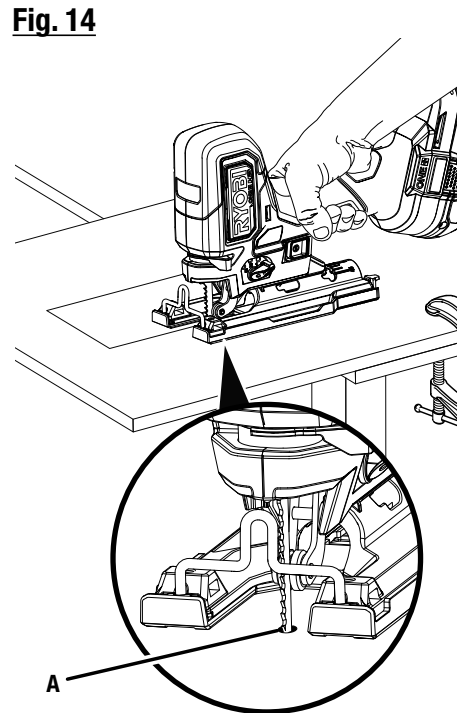
DESPLACE LA BASE HACIA ATRÁS PARA  
 AJUSTAR EL ÁNGULO  
 DESPLACE LA BASE HACIA ADELANTE PARA  
 BLOQUEARLA EN EL ÁNGULO DESEADO

**Fig. 12**



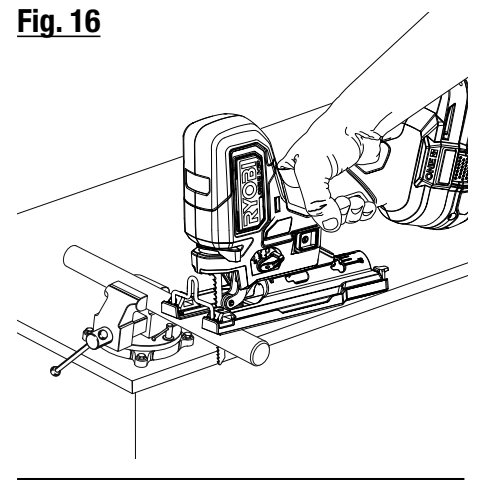
- A - Base (base, base)
- B - Scale (échelle, escala)
- C - Bevel scale indicator (indicateur de rapporteur d'inclinaison, indicador escala de biseles)
- D - 45° positive stop (arrêt positif à 45°, tope positivo de 45°)
- E - Tab (inside 0° positive stop) [onglet (arrêt positif intérieur à 0°), lengüeta (dentro de tope positivo de 0°)]

**Fig. 14**

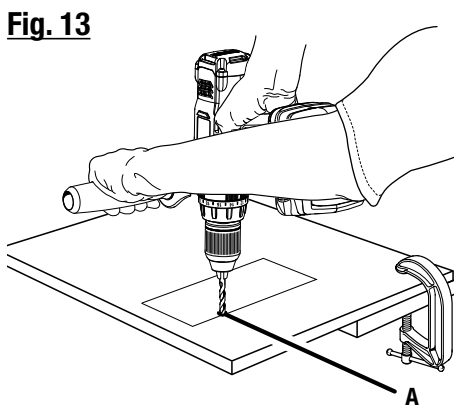


- A - Pilot hole (avant trou, agujero guía)

**Fig. 16**

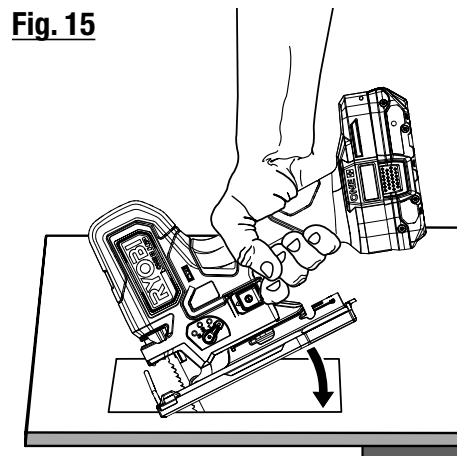


**Fig. 13**



- A - Pilot hole (avant trou, agujero guía)

**Fig. 15**





# NOTES / NOTAS

## HERRAMIENTAS ELÉCTRICAS RYOBI® PÓLIZA DE GARANTÍA LIMITADA DE TRES AÑOS E INFORMACIÓN PARA MANUALES

Producto Descripción: \_\_\_\_\_

Marca: **RYOBI®**

Modelo (s): \_\_\_\_\_

TTI CONSUMER POWER TOOLS, INC., garantiza este producto por el término de tres años incluyendo la mano de obra contra cualquier defecto de fabricación y funcionamiento a partir de la fecha de compra. Con excepción de las baterías, los accesorios de las herramientas eléctricas están garantizados por noventa (90) días. Las baterías están garantizadas por tres años.

### Condiciones:

Para hacer efectiva la Garantía acuda al lugar donde adquirió el producto o presentar al Centro de Servicio Autorizado la Póliza de Garantía sellada por el establecimiento en donde adquirió el producto. No deben exigirse mayores requisitos que la presentación del producto, acompañado de la póliza correspondiente, debidamente sellada por el establecimiento que lo vendió y la factura, o recibo o comprobante, en el que consten los datos específicos del producto objeto de la compraventa, ahí se reemplazará cualquier pieza o componente defectuoso sin cargo alguno para el usuario final. La empresa se hace responsable de los gastos de transportación razonablemente erogados que se deriven del cumplimiento de la presente garantía dentro de la red de servicio.

### La garantía perderá validez en los siguientes casos:

1. Cuando el producto se hubiese utilizado en condiciones distintas a las normales.
2. Cuando el producto no hubiese sido operado de acuerdo con el instructivo de uso que se encontrará en la página web ([www.ryobitools.mx/manuals](http://www.ryobitools.mx/manuals)).
3. Cuando el producto hubiese sido alterado o reparado por personas no autorizadas por el fabricante nacional, importador o comercializador responsable respectivo.
4. No cubre ningún malfuncionamiento, falla o defecto producido por el uso indebido, maltrato, negligencia, alteración, modificación o reparación efectuada por terceros diferentes de los centros de servicio autorizados.

El consumidor podrá solicitar que se haga efectiva esta garantía y podrá obtener las partes, componentes, consumibles y accesorios en:

Lo invitamos a leer el instructivo escaneando el siguiente código.

También puede obtenerlo llamando al teléfono 800-843-1111 o a través de la siguiente liga: <https://www.ryobitools.mx/manuals>



Fecha de compra: \_\_\_\_\_

Nombre del consumidor: \_\_\_\_\_

Calle y número: \_\_\_\_\_

Colonia o poblado: \_\_\_\_\_

Delegación o municipios: \_\_\_\_\_

Ciudad, código postal y estado: \_\_\_\_\_

### CENTRO DE SERVICIO Y ATENCIÓN A CLIENTES PROMOTORES AGRÍCOLAS S.A. DE C.V.

RÍO GUADAJUZO #152, PARQUE TECNO INDUSTRIAL CASTRO DEL RÍO. 36810  
IRAPUATO, GUANAJUATO.

Para consultas o dudas respecto a esta garantía llame al teléfono que se incluye abajo. Explique defecto o la petición específica, y tenga a la mano su comprobante de compra.

**Importado por:** Servicios Home Depot, S. de R.L. de C.V.  
Ricardo Margain No. 605, Santa Engracia, San Pedro Garza García  
Nuevo León, México C.P. 66267



# OPERATOR'S MANUAL/ONE+ 18V BRUSHLESS COMPACT BARREL GRIP JIG SAW

MANUEL D'UTILISATION/SCIE SAUTEUSE À POIGNÉE POMMEAU DE COMPACT SANS  
BALAI DE 18 V DE ONE+

MANUAL DEL OPERADOR/SIERRA DE VAIVÉN CON EMPUÑADURA DE BARRIL  
DE COMPACTO SIN ESCOBILLAS DE ONE+ 18 V

**PSBJS01**

To request service, purchase replacement parts,  
locate an Authorized Service Center or obtain Customer or Technical Support:  
Visit [www.ryobitools.com](http://www.ryobitools.com) or call **1-800-525-2579**

If any parts or accessories are damaged or missing, do not return this product to the store.  
Call **1-800-525-2579** for immediate service.

Please obtain your model and serial number from the product data plate.  
**This product is covered under a 3-year limited Warranty. Proof of purchase is required.**

MODEL NUMBER\* \_\_\_\_\_ SERIAL NUMBER \_\_\_\_\_

*\*Model number on product may have additional letters at the end. These letters designate  
manufacturing information and should be provided when calling for service.*

RYOBI is a registered trademark of Ryobi Limited and is used pursuant to a license granted by Ryobi Limited.

Pour faire une demande de réparations ou obtenir des pièces de rechange, trouver un  
Centre de réparations agréé pour obtenir un soutien technique ou le Service à la clientèle :  
Visiter [www.ryobitools.com](http://www.ryobitools.com) ou en téléphonant au **1-800-525-2579**

Si des pièces ou accessoires sont manquantes ou endommagées, ne pas retourner  
ce produit au magasin. Appeler immédiatement au **1-800-525-2579** pour obtenir de l'aide.

Inscrire les numéros de modèle et de série inscrits sur la plaque d'identification du produit.  
**Ce produit est couvert par une garantie limitée de trois (3) ans. Une preuve d'achat est exigée.**

NUMÉRO DE MODÈLE\* \_\_\_\_\_ NUMÉRO DE SÉRIE \_\_\_\_\_

*\*Le numéro de modèle sur le produit peut contenir des lettres supplémentaires à la fin. Ces lettres désignent  
les informations du fabricant et doivent être fournies lors d'un appel de demande de service.*

RYOBI est une marque déposée de Ryobi Limited et est utilisée en vertu d'une licence accordée par Ryobi Limited.

Para obtener servicio, comprar piezas de repuesto, localizar un centro de servicio autorizado  
y obtener Servicio o Asistencia Técnica al Consumidor:

Visite [www.ryobitools.com](http://www.ryobitools.com) (en la EE.UU.) o [www.ryobitools.mx](http://www.ryobitools.mx) (en México)  
o llame al **1-800-525-2579** (en la EE.UU.) o **800-843-1111** (en México).

Si hay alguna pieza o accesorios dañada o faltante, no devuelva este producto a la tienda.  
Llame al **1-800-525-2579** (en la EE.UU.) o **800-843-1111** (en México) para servicio técnico inmediato.

Obtenga su modelo y número de serie de la placa de datos del producto.  
**Este producto está cubierto con una garantía limitada de 3 años. Se solicita prueba de la compra.**

NÚMERO DE MODELO\* \_\_\_\_\_ NÚMERO DE SERIE \_\_\_\_\_

*\*El número de modelo que figura en el producto podría tener letras adicionales al final. Estas designan información  
de fabricación y deben suministrarse cuando llame para obtener asistencia o servicio.*

RYOBI es una marca registrada de Ryobi Limited y se utiliza conforme a una licencia otorgada por Ryobi Limited.

**TTI CONSUMER POWER TOOLS, INC.**

P.O. Box 1288, Anderson, SC 29622 • Phone 1-800-525-2579

États-Unis, Téléphone 1-800-525-2579 • USA, Teléfono 1-800-525-2579