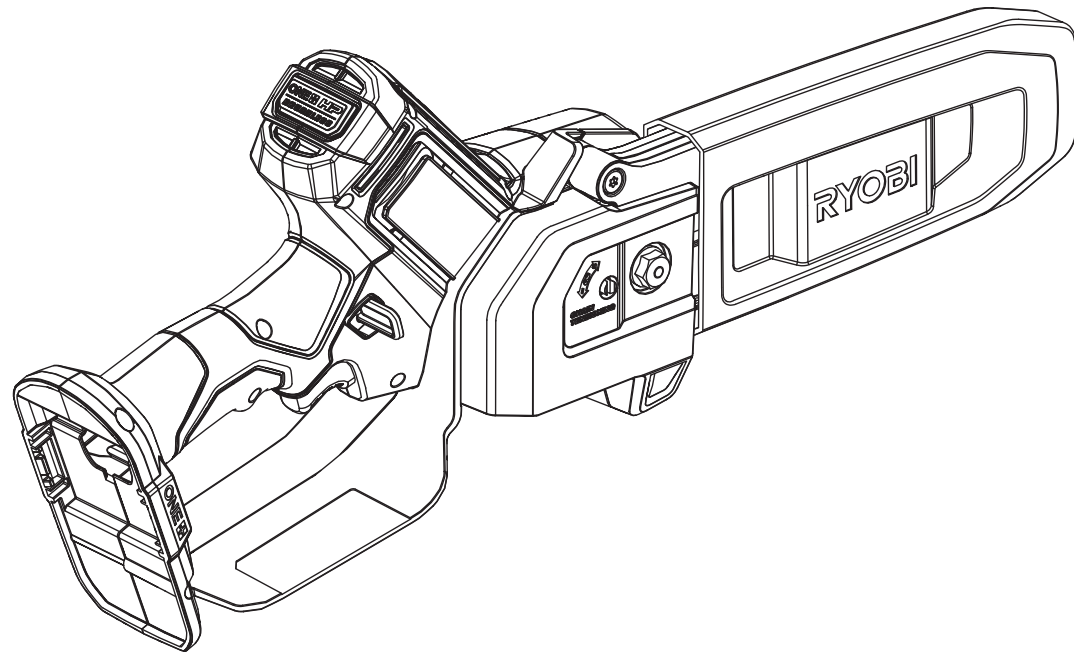


REPAIR SHEET

BRAND RYOBI	
MODEL NO. PSBCW01	MFG. NO. 106878001

DESCRIPTION
18 Volt HP 8 in. Compact Pruner

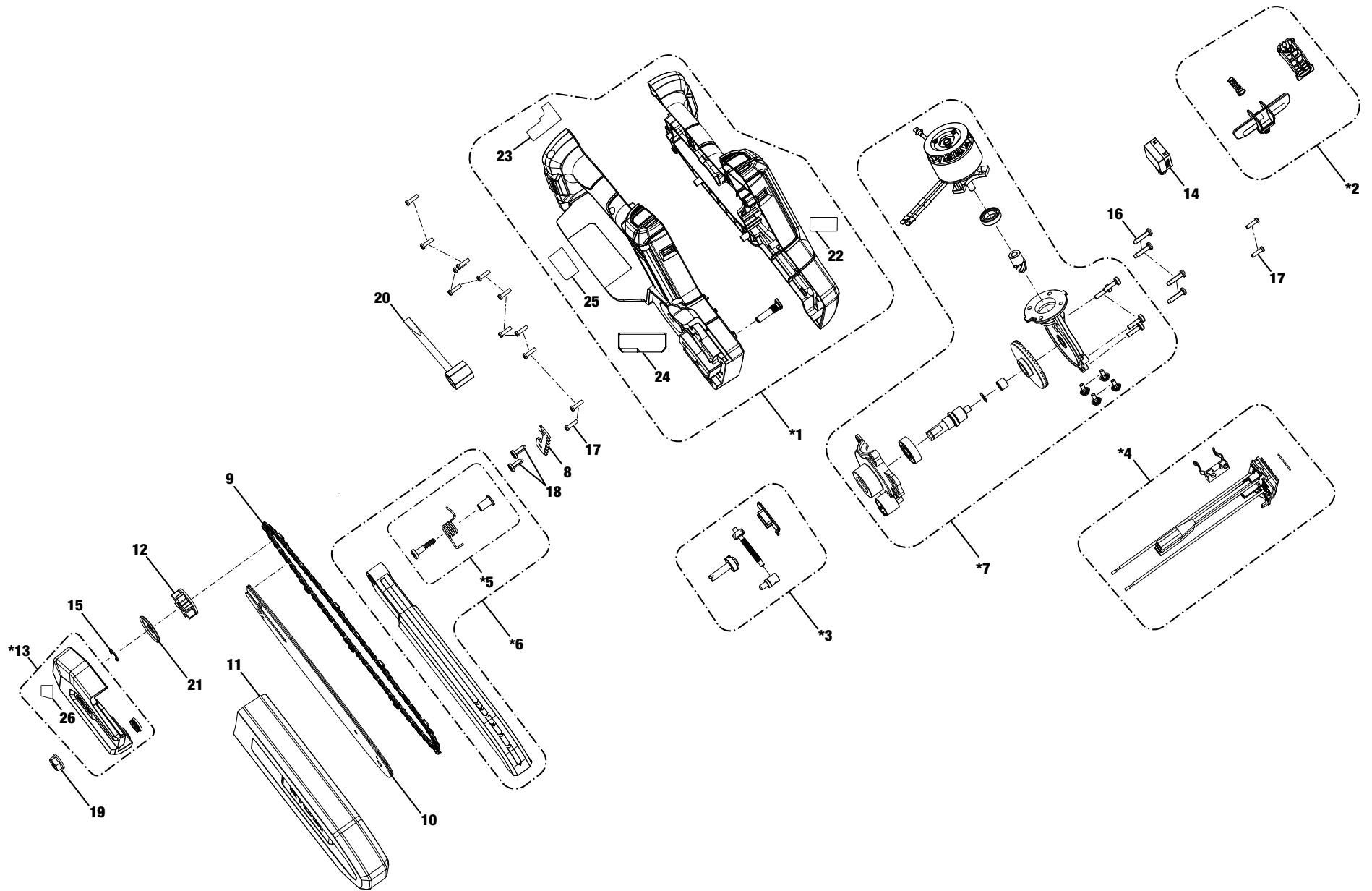


TECHTRONIC INDUSTRIES POWER EQUIPMENT

P.O. Box 1288, Anderson, SC 29622 ■ 1-800-525-2579 ■ www.ryobitools.com

1-04-24 (Rev:02)

The model number and manufacturing location will be found on a label attached to the product. Always mention this information in all communications regarding this product and when ordering parts.



* Part comes as a complete assembly. Individual components of an assembly will not be offered separately, unless listed in the parts list.



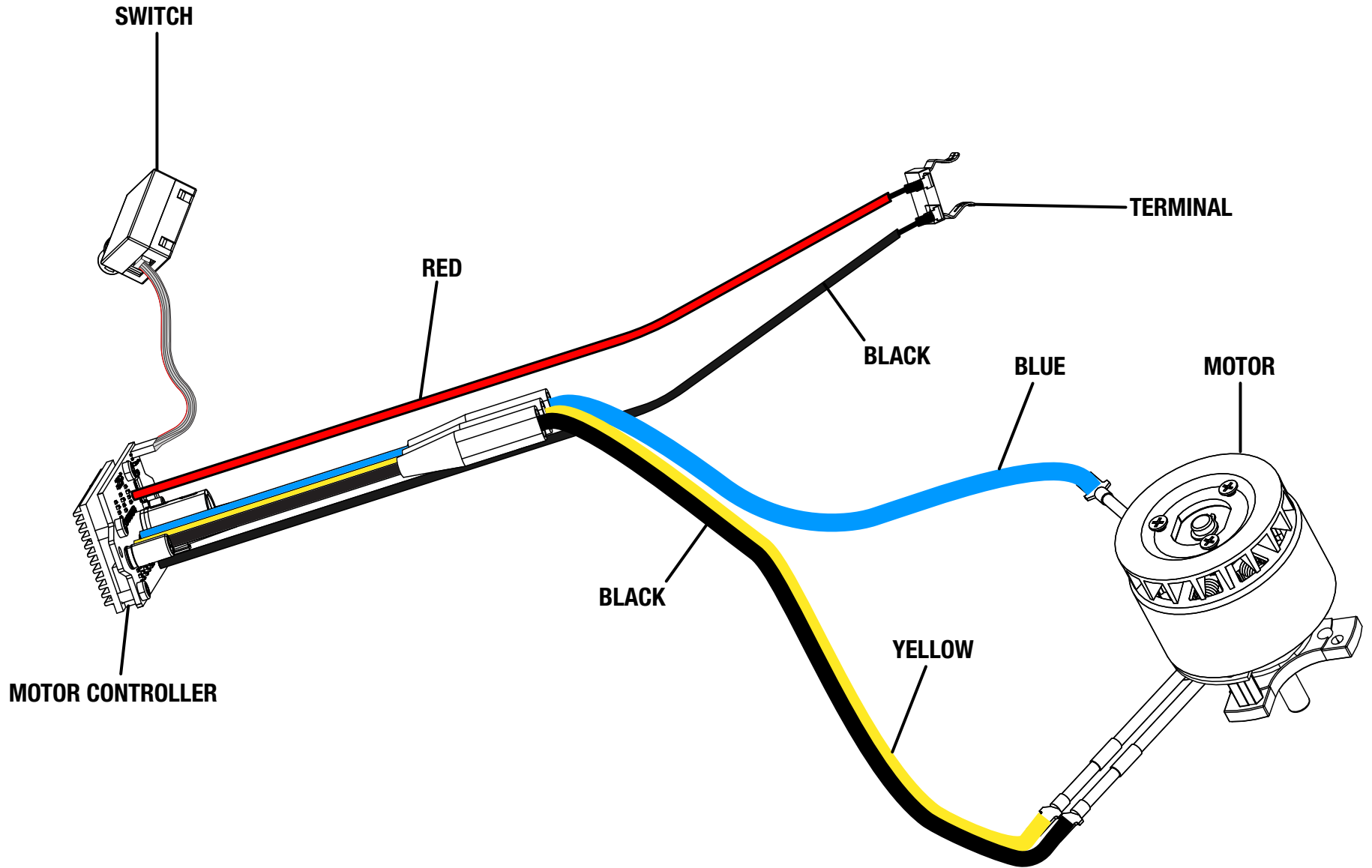
PSBCW01

PARTS LIST

KEY NO.	PART NO.	DESCRIPTION	QTY.
1*	205314002	Housing Assembly (Inc. Key Nos. 22-25)	1
2*	205878003	Trigger Assembly	1
3*	205319002	Chain Tensioner Assembly	1
4*	205586002	Motor Controller & Battery Foot Assembly	1
5*	205758002	Hardware Pack For Guard	1
6*	205313002	Front Guard Assembly (Inc. Key No. 5)	1
7*	319741003	Motor & Gear Box Assembly	1
8	657396004	Spike Bumper	1
9	682172001	8 in. Saw Chain	1
10	319738004	8 in. Bar	1
11	581050001	Scabbard	1
12	612313001	Sprocket	1
13*	205369003	Sprocket Cover Assembly (Inc. Key No. 26)	1
14	760777001	Switch	1

KEY NO.	PART NO.	DESCRIPTION	QTY.
15	636159001	E-Ring	1
16	661189003	Screw (M4 x 18 mm, T20 Torx. Pan Hd.)	4
17	660203087	Screw (M3 x 12 mm)	14
18	662064002	Screw	2
19	678339005	Flange Nut	1
20	612330001	Wrench	11
21	635367002	Cap Washer	2
22	941110299	Data Label	1
23	941110300	QR Label	1
24	941110301	ONE+ HP Compact Brushless Label	1
25	941110316	Icon Warning Label	1
26	941110317	No Hands Icon Label	1
	Not Shown:		
	999000310	Operator's Manual	

* Part comes as a complete assembly. Individual components of an assembly will not be offered separately, unless listed in the parts list.



WIRING DIAGRAM