

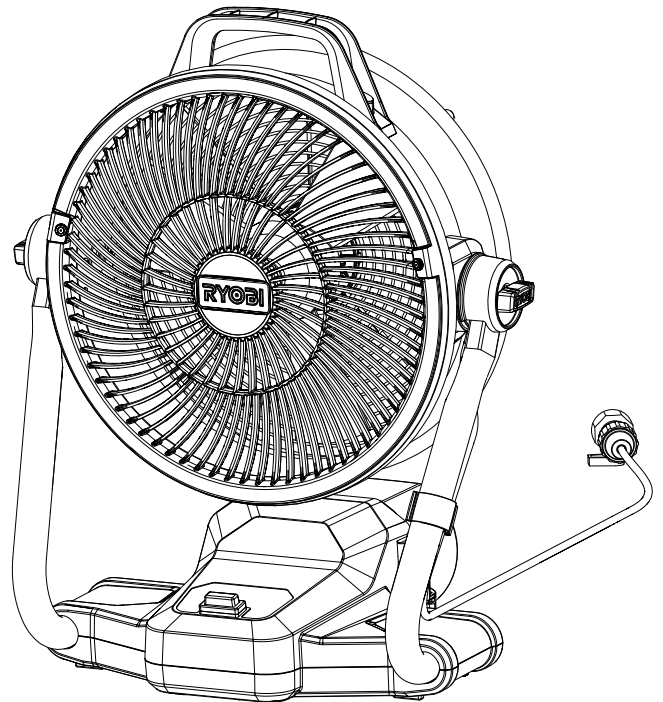
OPERATOR'S MANUAL MANUEL D'UTILISATION MANUAL DEL OPERADOR

18 VOLT HYBRID 12 IN. MISTING AIR CANNON

HYBRIDE 18 V DE 304,8 mm (12 po) CANON À AIR DE BRUMISATION

VENTILADOR DE ROCIADO HÍBRIDO DE 18 V y 304,8 mm (12 pulg.)

PCL850



**EXTENSION CORDS NOT INCLUDED
CORDON PROLONGATEURS PAS INCLUS
CORDÓN DE EXTENSIÓN NO VIENEN INCLUIDAS**

INCLUDES: Air Cannon, Handle, Fasteners, Socket Wrench, Operator's Manual

INCLUT : Canon à air, poignée, pièces de fixation, clé à douille, manuel del utilisation

INCLUYE: Ventilador, mango, sujetadores, llave de tubo, manual del operador

TABLE OF CONTENTS

- Important Safety Instructions2-3
- Portable Fan Safety Warnings 4
- Electrical5
- Symbols6-7
- Features7
- Assembly7
- Operation8-9
- Maintenance 10
- Troubleshooting 10
- Illustrations11-13
- Parts Ordering / Service Back Page

TABLE DES MATIÈRES

- Instructions importantes concernant la sécurité2-4
- Avertissements de sécurité relatifs ventilateur portatif 4
- Caractéristiques électriques5
- Symboles6-7
- Caractéristiques7
- Assemblage7
- Utilisation8-9
- Entretien 10
- Dépannage 10
- Illustrations11-13
- Commande de pièces / réparationPage arrière

ÍNDICE DE CONTENIDO

- Instrucciones de seguridad importantes2-4
- Advertencias de seguridad para ventilador portátil 4
- Aspectos eléctricos5
- Símbolos6-7
- Características7
- Armado7
- Funcionamiento8-9
- Mantenimiento 10
- Corrección de problemas 10
- Ilustraciones11-13
- Pedidos de piezas / servicio Pág. posterior

⚠ WARNING: To reduce the risk of injury, the user must read and understand the operator's manual before using this product.

⚠ AVERTISSEMENT : Pour réduire les risques de blessures, l'utilisateur doit lire et veiller à bien comprendre le manuel d'utilisation avant d'employer ce produit.

⚠ ADVERTENCIA: Para reducir el riesgo de lesiones, el usuario debe leer y comprender el manual del operador antes de usar este producto.

SAVE THIS MANUAL FOR FUTURE REFERENCE

CONSERVER CE MANUEL POUR FUTURE RÉFÉRENCE

GUARDE ESTE MANUAL PARA FUTURAS CONSULTAS

IMPORTANT SAFETY INSTRUCTIONS



WARNING

READ AND UNDERSTAND ALL INSTRUCTIONS. Failure to follow all instructions listed below, may result in electric shock, fire and/or serious personal injury.

- **To reduce the risk of injury**, close supervision is necessary when a product is used near children.
- **Do not allow children to operate this product.** It is not a toy.
- **Exercise caution to avoid slipping or falling.**
- **Use only recommended accessories.** The use of improper accessories may cause risk of injury.
- **Never leave product running unattended.** Turn hose faucet completely off and remove battery pack. Don't leave product until spray comes to a complete stop.
- **Never direct mist or water toward any electrical wiring or devices.**
- **Ensure that all hoses and accessories are properly connected before using the product.**
- **ONLY** use clean, cold water.
- **Store indoors.**
- **Do not use this misting fan to spray pesticides, liquid fertilizers, chemicals, or any liquids other than clean water.** Spraying these substances could result in serious injury or illness to the operator or bystanders.
- **Make sure hose and mist tube are located so that they will not be stepped on, tripped over, come in contact with sharp edges or moving parts or otherwise subjected to damage or stress.** This will reduce the risk of accidental falls, which could cause injury, and damage to the hose and mist tube which could prevent the product from working properly.
- **Use caution when positioning the product for use.** Never place the unit near electrical outlets or switches.
- **Check hoses and parts for signs of damage. Replace any damaged hoses or parts.**
- **Verify that all connections are secure before operating the unit.**
- **Use caution when using in windy conditions.** Winds may carry mists into electrical wiring or devices.
- **Do not kink or overbend the hose or mist tube.**
- **Ensure all hose connections are secure before using misting fan.** Spilled water and leaks can result in a slippery surface and create a slip and fall hazard.

ELECTRICAL SAFETY

- **Use this product only with batteries and chargers listed in tool/appliance/battery pack/charger correlation supplement 987000-432.**
- **Do not defeat the safety purpose of the polarized or grounding-type plug.** A polarized plug has two blades with one wider than the other. A grounding type plug has two blades and a third grounding prong. The wide blade or the third prong on a grounding plug are for your safety. If the plug does not fit into your outlet, consult an electrician for replacement of the obsolete outlet.
- **Protect the extension cord from being walked on or pinched particularly at plugs, convenience receptacles, and the point where they exit from the product.**
- **Unplug this product during lightning storms or when not in use.**
- **Check extension cords before each use. If damaged replace immediately.** Never use a product with a damaged cord since touching the damaged area could cause electrical shock resulting in serious injury.

PERSONAL SAFETY

- **Dress properly. Do not wear loose clothing or jewelry. Contain long hair. Keep your hair and clothing, away from moving parts.** Loose clothes, jewelry, or long hair can be caught in moving parts or drawn into air vents.
- **Prevent unintentional starting. Ensure the switch is in the off-position before connecting to power source and/or battery pack, picking up or carrying the product.** Carrying battery packs with your finger on the switch or energizing products that have the switch on invites accidents.
- **Do not overreach. Keep proper footing and balance at all times.** Proper footing and balance enable better control of the product in unexpected situations.
- **Do not use on a ladder or unstable support.** Stable footing on a solid surface enables better control of the product in unexpected situations.
- **Constantly stay aware of cord location.**

BATTERY PRODUCT USE AND CARE

- **Use battery operated products only with specifically designated battery pack.** Use of any other batteries may create a risk of fire.
- **Do not use battery product if switch does not turn it on or off.** A battery product that cannot be controlled with the switch is dangerous and must be repaired.
- **Disconnect battery pack from product before making any adjustments, changing accessories, or storing the product.** Such preventive safety measures reduce the risk of starting the product accidentally.

IMPORTANT SAFETY INSTRUCTIONS

- **Recharge only with the charger specified by the manufacturer.** A charger that is suitable for one type of battery pack may create a risk of fire when used with another battery pack.
- **When battery pack is not in use, keep it away from other metal objects like: paper clips, coins, keys, nails, screws, or other small metal objects that can make a connection from one terminal to another.** Shorting the battery terminals together may cause sparks, burns, or a fire.
- **Under abusive conditions, liquid may be ejected from the battery; avoid contact. If contact accidentally occurs, flush with water. If liquid contacts eyes, additionally seek medical help.** Liquid ejected from the battery may cause irritation or burns.
- **Do not use a battery pack or tool that is damaged or modified.** Damaged or modified batteries may exhibit unpredictable behavior resulting in fire, explosion, or risk of injury.
- **Do not expose a battery pack or tool to fire or excessive temperature.** Exposure to fire or temperature above 265° F may cause explosion.
- **Keep the product dry, clean and free from oil and grease.** Always use a clean cloth when cleaning. Never use brake fluids, gasoline, petroleum-based products, or any strong solvents to clean your battery product. Following this rule will reduce the risk of loss of control and deterioration of the enclosure plastic.
- **Know your product. Read operator's manual carefully. Learn its applications and limitations, as well as the specific potential hazards related to this battery product.** Following this rule will reduce the risk of electric shock, fire, or serious injury.
- **Battery products do not have to be plugged into an electrical outlet; therefore, they are always in operating condition. Be aware of possible hazards when not using your battery product or when changing accessories.** Following this rule will reduce the risk of electric shock, fire, or serious personal injury.
- **Do not place battery products or their batteries near fire or heat.** This will reduce the risk of explosion and possibly injury.
- **Do not crush, drop or damage battery pack. Never use a battery that has been dropped or received a sharp blow.** A damaged battery is subject to explosion. Properly dispose of a dropped or damaged battery immediately.
- **Batteries can explode in the presence of a source of ignition, such as a pilot light.** To reduce the risk of serious personal injury, never use any cordless product in the presence of open flame. An exploded battery can propel debris and chemicals. If exposed, flush with water immediately.
- **Do not charge battery product battery in a damp or wet location.** Following this rule will reduce the risk of electric shock.
- **Under extreme usage or temperature conditions, battery leakage may occur. If liquid comes in contact with your skin, wash immediately with soap and water. If liquid gets into your eyes, flush them with clean water for at least 10 minutes, then seek immediate medical attention.** Following this rule will reduce the risk of serious personal injury.
- **Do not incinerate the misting fan even if it is severely damaged.** The batteries can explode in a fire.
- **To reduce the risk of fire or electric shock, do not use this fan with any solid-state speed control device.**
- **Not for use in kitchens.**
- **For general ventilating use only.** Do not use to exhaust hazardous or explosive materials and vapors.
- **To reduce the risk of personal injury and electric shock, the portable fan should not be played with or placed where small children can reach it.**
- **To reduce the risk of electric shock, do not expose to water or rain.**
- **Ensure battery compartment cover is completely closed to prevent water from contacting battery or entering battery port.**
- **Follow all charging instructions and do not charge the battery pack or tool outside the temperature range specified in the instructions.** Charging improperly or at temperatures outside the specified range may damage the battery and increase the risk of fire.
- **Have servicing performed by a qualified repair person using only identical replacement parts.** This will ensure that the safety of the product is maintained.
- **Do not modify or attempt to repair the appliance or the battery pack (as applicable) except as indicated in the instructions for use and care.**

SERVICE

- **Service must be performed only by qualified repair personnel.** Service or maintenance performed by unqualified personnel may result in a risk of injury.
- **When servicing a battery product, use only identical replacement parts. Follow instructions in the Maintenance section of this manual.** Use of unauthorized parts or failure to follow Maintenance Instructions may create a risk of shock or injury.
- **Save these instructions.** Refer to them frequently and use them to instruct others who may use this tool. If you loan someone this tool, loan them these instructions also.

PORTABLE FAN SAFETY WARNINGS

- **Know your portable fan. Read operator's manual carefully. Learn its applications and limitations, as well as the specific potential hazards related to this product.** Following this rule will reduce the risk of electric shock, fire, or serious injury.
- **To reduce the risk of electric shock, do not use this fan near water or rain, especially when it is powered by the power cord. Do not allow the battery pack to get wet.**
- **Clean only with dry cloth.**
- **Do not operate near any heat sources such as radiators, heat registers, stoves, or other apparatus (including amplifiers) that produce heat.**
- **Do not charge battery tool in a damp or wet location. Do not use, store, or charge battery packs or products in locations where the temperature is less than 50°F or more than 100°F. Store product indoors only.**
- **To reduce the risk of fire or electric shock, do not use this portable fan with any solid-state speed control device.**
- **To reduce the risk of personal injury and electric shock, the portable fan should not be played with or placed where small children can reach it.**
- **Save these instructions.** Refer to them frequently and use them to instruct others who may use this tool. If you loan someone this tool, loan them these instructions also.

ELECTRICAL

DOUBLE INSULATION

Double insulation is a concept in safety in electric products, which eliminates the need for the usual three-wire grounded power cord. All exposed metal parts are isolated from the internal metal motor components with protecting insulation. Double insulated products do not need to be grounded.

WARNING:

The double insulated system is intended to protect the user from shock resulting from a break in the product's internal wiring. Observe all normal safety precautions to avoid electrical shock.

NOTE: Servicing of a product with double insulation requires extreme care and knowledge of the system and should be performed only by a qualified service technician. For service, we suggest you return the product to your nearest authorized service center for repair. Always use original factory replacement parts when servicing.

ELECTRICAL CONNECTION

This is a hybrid product capable of operating on alternating current (AC) through an extension cord or direct current (DC) through a battery pack. If the product does not operate when an extension cord or battery pack is installed, double-check the power supply.

- To use alternating current, connect the product to a **power supply that is 120 volts, AC only (normal household current), 60 Hz.**
- To use direct current, install a **manufacturer-recommended 18 volt battery pack only.**

GROUND FAULT CIRCUIT INTERRUPTER

See Figure 1, page 11.

This unit is recommended for use with a Ground Fault Circuit Interrupter (GFCI), which guards against the hazards of ground fault currents. An example of ground fault current is the current that would flow through a person who is using an appliance with faulty insulation and, at the same time, is in contact with an electrical ground such as a plumbing fixture, wet floor, or earth.

GFCI plugs do not protect against short circuits, overloads, or shocks.

NOTE: To ensure readiness for use, press the reset button each time you connect the misting fan to the power supply. The GFCI plug can be tested with the TEST and RESET buttons.

To test:

- Press the TEST button. You will hear a “click” sound and the LED light will go out.
- To restore power, press the RESET button. The LED light will illuminate to indicate power has been restored.

Perform this test monthly to ensure proper operation of the GFCI.

EXTENSION CORDS

When using a product at a considerable distance from a power source, be sure to use an extension cord that has the capacity to handle the current the product will draw. An undersized cord will cause a drop in line voltage, resulting in overheating and loss of power. Use the chart to determine the minimum wire size required in an extension cord. Only round jacketed cords listed by Underwriter's Laboratories (UL) should be used.

If using this product outdoors, use an extension cord that is designed for outside use. This type of cord is designated with “WA” or “W” on the cord's jacket.

Before using any extension cord, inspect it for loose or exposed wires and cut or worn insulation.

**Ampere rating (on product data plate)

Cord Length	Wire Size (A.W.G.)					
	0-2.0	2.1-3.4	3.5-5.0	5.1-7.0	7.1-12.0	12.1-16.0
25'	16	16	16	16	14	14
50'	16	16	16	14	14	12
100'	16	16	14	12	10	—

**Used on 12 gauge - 20 amp circuit

NOTE: AWG = American Wire Gauge

WARNING:




Keep the extension cord clear of the working area. Position the cord so that it will not get caught on lumber, tools, or other obstructions while you are working with this product. Failure to do so can result in serious personal injury.

WARNING:










Check extension cords before each use. If damaged replace immediately. Never use a product with a damaged cord since touching the damaged area could cause electrical shock resulting in serious injury.

SYMBOLS

The following signal words and meanings are intended to explain the levels of risk associated with this product.


SYMBOL	SIGNAL	MEANING
	DANGER:	Indicates a hazardous situation, which, if not avoided, will result in death or serious injury.
	WARNING:	Indicates a hazardous situation, which, if not avoided, could result in death or serious injury.
	CAUTION:	Indicates a hazardous situation, that, if not avoided, may result in minor or moderate injury.
	NOTICE:	(Without Safety Alert Symbol) Indicates information considered important, but not related to a potential injury (e.g. messages relating to property damage).

Some of the following symbols may be used on this product. Please study them and learn their meaning. Proper interpretation of these symbols will allow you to operate the product better and safer.

SYMBOL	NAME	DESIGNATION/EXPLANATION
	Safety Alert	Indicates a potential personal injury hazard.
	Read Operator's Manual	To reduce the risk of injury, user must read and understand operator's manual before using this product.
	Electrocution/ Electric Shock	Keep water and mist discharge pointed away from all electrical devices to reduce the risk of electrocution or electric shock.
	Chemical Burns	To reduce the risk of injury or damage, DO NOT USE ACIDS, ALKALINES, BLEACHES, SOLVENTS, FLAMMABLE MATERIAL, OR INDUSTRIAL GRADE SOLUTIONS in this product.
	Slippery Surface	Improper hose connections and/or leaks can result in a slip and fall hazard.
	Wet Conditions Alert	Do not expose to rain or use in damp locations.
	Long Hair	Failure to keep long hair away from air inlet could result in personal injury.
	Fan Blades	Contact with moving fan blades can cause serious personal injury.
	Recycle Symbol	This product uses lithium-ion (Li-ion) batteries. Local, state or federal laws may prohibit disposal of batteries in ordinary trash. Consult your local waste authority for information regarding available recycling and/or disposal options.
V	Volts	Voltage
A	Amperes	Current
Hz	Hertz	Frequency (cycles per second)
W	Watt	Power

SYMBOLS

Some of the following symbols may be used on this product. Please study them and learn their meaning. Proper interpretation of these symbols will allow you to operate the product better and safer.

SYMBOL	NAME	DESIGNATION/EXPLANATION
min	Minutes	Time
≡	Direct Current	Type or a characteristic of current
~	Alternating Current	Type of current
	Class II Tool	Double-insulated construction

FEATURES

PRODUCT SPECIFICATIONS

Motor..... 18 Volt DC
120 V, AC only, 60 Hz

Switch..... 2-Speed

ASSEMBLY

UNPACKING

This product requires assembly.

- Carefully remove the tool and any accessories from the box. All items listed in the **Includes** section must be included at the time of purchase.

WARNING:

Items in this *Assembly* section are not assembled to the product by the manufacturer and require customer installation. Use of a product that may have been improperly assembled could result in serious personal injury.

- If any parts are damaged or missing, please call 1-800-525-2579 for assistance.

WARNING:

If any parts are damaged or missing do not operate this product until the parts are replaced. Use of this product with damaged or missing parts could result in serious personal injury.

WARNING:

Do not attempt to modify this product or create accessories or attachments not recommended for use with this product. Any such alteration or modification is misuse and could result in a hazardous condition leading to possible serious personal injury.

INSTALLING CARRY HANDLE

See Figure 2, page 11.

- Align holes in carry handle over bolts in fan housing.
- Place washers over bolts and carry handle.
- Insert nuts into included socket wrench and thread onto bolts.
- Use the socket wrench to tighten nuts onto bolts until snug.

OPERATION

WARNING:

Do not allow familiarity with tools to make you careless. Remember that a careless fraction of a second is sufficient to inflict serious injury.

WARNING:

Keep water and mist discharge pointed away from all electrical devices to reduce the risk of electrocution or electric shock.

WARNING:

Do not use any attachments or accessories not recommended by the manufacturer of this tool. The use of attachments or accessories not recommended can result in serious personal injury.

WARNING:

Always remove battery pack or unplug extension cord from your product when you are assembling parts, making adjustments, cleaning, or when not in use. Removing battery pack or unplugging extension cord will prevent accidental starting that could cause serious personal injury.

APPLICATIONS

You may use this tool for the purpose listed below:

- General ventilation of most household spaces

WARNING:

Hybrid tools are always in operating condition. Therefore, switch should always be in the **OFF (0)** position when not in use.

NOTICE:

This product is designed to be powered by either a RYOBI™ ONE+™ 18V battery pack (DC mode) or by electric power (AC mode). Either power source can be used by installing an approved battery pack or power cord into the product as described in this manual.

INSTALLING/REMOVING BATTERY PACK

See Figure 3, page 11.

- Place the speed switch in the **OFF (0)** position.
- Open the battery compartment door.
- Insert the battery pack into the product as shown.
- Make sure the latches on each side of the battery pack snap into place and the battery pack is secured before beginning operation.
- Close the battery compartment door.

WARNING:

Do not use the misting fan unless the battery cover is fully closed. NEVER allow water or any liquids to enter the battery compartment.

- Depress the latches to remove the battery pack.
NOTE: If desired, the battery cover can be locked by installing a padlock through the holes at the top of the cover.

For complete charging instructions, see the operator's manuals for your battery pack and charger.

USING A POWER CORD (NOT INCLUDED)

See Figure 4, page 12.

NOTE: Use a GFCI rated cord.

- Place the speed switch in the **OFF (0)** position.
- Insert the female end of the power cord into the product as shown.
- Connect the male end of the power cord to the power source.
- Make sure the power cord is secured before beginning operation.

FAN LOW/OFF/HIGH SWITCH

See Figure 5, page 12.

The **LOW/OFF/HIGH** fan switch is located on the center front of the base.

- To select **LOW** speed, press (I).
- To select **HIGH** speed, press (II).
- To turn the fan **OFF**, select the center position (0).

OPERATION

HANGING THE PORTABLE FAN WITH THE KEYHOLE MOUNT

See Figure 6, page 12.

NOTE: Be careful not to hang the fan in such a way that it prevents normal fan operation or damages the cord.

- Use a 6 mm minimum screw size for mounting the fan.
- Ensure that the screw is securely fastened into a stud and that the screw is exposed no more than 5/8 in.
- Slide the keyhole hanger, located on the frame cross member, over the screw. Make sure the fan is securely mounted.

ADJUSTABLE HEAD

See Figure 6, page 12.

To change the angle of the fan head, loosen the adjustment knob on each side of the fan head. Select the desired position and tighten each knob to secure.

NOTICE:

Adjusting the fan head without loosening the adjustment knobs could result in damage to the fan.

ADJUSTING THE MISTING ANGLE

See Figure 7, page 13.

The fan can be angled forward -15° or back 45° to adjust the direction of the mist.

USING THE MISTING FAN WITH A GARDEN HOSE (NOT INCLUDED)

See Figure 8, page 13.

WARNING:

Always route hoses away from traffic areas to prevent a tripping hazard.

- Choose a flat, steady surface, such as a concrete patio or tabletop.
- Set the fan switch to the **OFF (O)** position.
- With the water faucet turned completely off, attach a garden hose (not provided) securely to the garden hose connector and hand tighten.
- Install the battery pack and close the battery compartment.
- Turn the garden hose faucet on all the way and allow the hose to fill with water.
- Rotate the water control valve on the garden hose connector to the ON position.
- Press the fan switch to **LOW (I)** or **HIGH (II)** position.

To move the fan to another location:

- Set the fan switch to the **OFF (O)** position.

NOTE: The intake tube cannot be removed.

USING THE FAN WITHOUT MIST

If desired, this product may be used as a fan only, when not connected to a water source. Always disconnect the garden hose and place the misting tube in its storage area.

MAINTENANCE

WARNING:

When servicing, use only identical replacement parts. Use of any other part could create a hazard or cause product damage.

GENERAL MAINTENANCE

Avoid using solvents when cleaning plastic parts. Most plastics are susceptible to damage from various types of commercial solvents and can be damaged by their use. Use clean cloths to remove dirt, dust, oil, grease, etc.

WARNING:

With the battery pack removed from the misting fan, always clean and thoroughly dry out all parts of the misting fan and intake tube, when not in use to prevent the possible formation of bacteria or mold. Spraying mist that contains bacterial or mold can result in serious personal injury or illness.

NOZZLE MAINTENANCE

See Figure 9, page 13.

WARNING:

Ensure all nozzle maintenance is properly performed to prevent leaks. Leaks can result in a slippery surface, create a slip and fall hazard, or cause property damage.

Irregular mist patterns or leakage may be the result of a clogged or dirty nozzle.

To clean nozzles:

- Make sure both the power switch and pump switch are in the **OFF (O)** position.
- Remove the battery pack.
- Remove the brass nozzles from each side of the fan.
- Soak nozzles in nozzle cleaner (not included) to loosen foreign materials clogging or restricting the nozzle.
- Using a garden hose, flush debris out of nozzle by back flushing (running the water through the nozzle backwards or from the outside to the inside).
- Reconnect the nozzles.

TROUBLESHOOTING

PROBLEM	POSSIBLE CAUSE	SOLUTION
Leak at nozzle or threaded hole	Nozzles were installed improperly. Nozzles clogged or dirty.	Reinstall nozzles and tighten securely. Clean nozzles.
Fan will not start	Battery is defective or fully discharged.	Charge battery or contact customer service.

NOTE: ILLUSTRATIONS START ON PAGE 11 AFTER FRENCH AND SPANISH LANGUAGE SECTIONS.

INSTRUCTIONS IMPORTANTES CONCERNANT LA SÉCURITÉ



AVERTISSEMENT

LIRE ET VEILLER À BIEN COMPRENDRE TOUTES LES INSTRUCTIONS. Le nonrespect de toutes les instructions ci-dessous peut entraîner un choc électrique, un incendie et/ou des blessures graves.

- **Pour réduire le risque de blessures**, une bonne surveillance est nécessaire quand un appareil est utilisé à proximité des enfants.
- **Ne pas laisser les enfants faire fonctionner ce produit. Ceci n'est pas un jouet.**
- **Faire preuve de prudence pour éviter de glisser ou tomber.**
- **Utiliser exclusivement les accessoires recommandés.** L'utilisation d'accessoires inadéquats peut causer des blessures.
- **Ne jamais laisser l'outil en fonctionnement sans surveillance. Fermer complètement le robinet du boyau et retirer le bloc-piles.** Ne pas laisser le produit sans surveillance tant que la vaporisation n'est pas terminée.
- **Ne jamais diriger un jet direct ou l'eau vers tout câble ou dispositif électrique.**
- **S'assurer que tous les tuyaux flexibles et les accessoires sont correctement raccordés avant d'utiliser ce produit.**
- **Utiliser de l'eau propre froide UNIQUEMENT.**
- **Ranger à l'intérieur.**
- **Ne pas utiliser ce ventilateur de brumisation pour vaporiser des pesticides, liquides fertilisants, produits chimiques ou tout autre liquide n'étant pas de l'eau propre.** Le fait de répandre ces substances peut faire en sorte d'infliger des blessures ou maladies à l'utilisateur ou à des tierces personnes.
- **S'assurer que le tuyau flexible et le boyau de pulvérisation ne sont pas acheminés à un endroit où ils seront piétinés, ou une situation de trébuchement ou en contact avec des objets tranchants ou des pièces mobiles et où ils risquent d'être endommagés ou comprimés.** Ceci préviendra le risque de chute accidentelle, évitera les blessures et les dommages au tuyau flexible et au boyau de pulvérisation pouvant empêcher le fonctionnement adéquat du système.
- **Être prudent lors du positionnement de ce produit en vue d'une utilisation.** Ne jamais installer l'appareil près des prises de courant ou des interrupteurs.
- **Vérifier les tuyaux flexibles et les pièces et s'assurer qu'ils ne sont pas endommagés. Remplacer tout tuyau flexible endommagé ou toute pièce endommagée.**
- **S'assurer que tous les raccords sont solidement fixés avant d'utiliser le système.**

- **Être prudent lors d'une utilisation par grand vent.** Les vents peuvent transporter les brumes vers les câbles électriques ou les dispositifs.
- **Ne pas entortiller ou courber excessivement le tuyau flexible ou boyau de pulvérisation.**
- **S'assurer que tous les raccords de boyau sont fixés correctement avant d'utiliser le ventilateur de brumisation.** De l'eau échappée ou des fuites peuvent rendre une surface glissante et représenter un risque de glissement ou de chute.

SÉCURITÉ ÉLECTRIQUE

- **Utiliser ce produit seulement avec la piles et le chargeurs indiqués dans le supplément de raccordement pour chargeur/outils/piles/appareil n° 987000-432.**
- **Ne pas neutraliser la fonction de sécurité de la fiche polarisée ou du type mise à la terre.** Une fiche polarisée a deux lames, dont l'une est plus large que l'autre. Une fiche du type mise à la terre a elle aussi deux lames, en plus d'une broche de mise à la terre. La lame la plus large et la broche ont pour but d'assurer la sécurité. Si la fiche ne se branche pas dans la prise, demander à un électricien de remplacer la prise défectueuse.
- **Protéger le cordon d'alimentation pour que personne ne marche dessus ou ne le pince, en particulier au niveau des fiches, des prises de courant et des points où il sort de l'appareil.**
- **Débrancher cet appareil pendant les orages électriques ou lorsque l'outil n'est pas utilisé.**
- **Vérifier l'état des cordons prolongateurs avant chaque utilisation. Remplacer immédiatement tout cordon endommagé.** Ne jamais utiliser un produit dont le cordon d'alimentation est endommagé, car tout contact avec la partie endommagée pourrait causer un choc électrique et des blessures graves.

SÉCURITÉ PERSONNELLE

- **Porter une tenue appropriée. Ne porter ni vêtements amples, ni bijoux. Attacher ou couvrir les cheveux longs. Garder les cheveux et les vêtements à l'écart des pièces en mouvement.** Les vêtements amples, bijoux et cheveux longs peuvent se prendre dans les pièces en mouvement peuvent se prendre dans les ouïes d'aération.
- **Éviter les démarrages accidentels. S'assurer que la gâchette est verrouillée en position d'arrêt avant d'insérer le blocs-piles o cordon prolongateur.** Le transport du produit avec le doigt sur le commutateur ou l'insertion du blocs-piles o cordon prolongateur avec le commutateur en position de marche est une invite aux accidents.
- **Ne pas travailler hors de portée. Toujours se tenir bien campé et en équilibre.** Une bonne tenue et un bon

INSTRUCTIONS IMPORTANTES CONCERNANT LA SÉCURITÉ

équilibre permettent de mieux contrôler le produit en cas de situation imprévue.

- **Ne pas utiliser le produit sur une échelle ou un support instable.** Une bonne tenue et un bon équilibre permettent de mieux contrôler le produit en cas de situation imprévue.
- **Toujours être conscient de l'emplacement du cordon.**

UTILISATION ET ENTRETIEN DE L'OUTIL DE PILE

- **Utiliser exclusivement le blocs-piles spécifiquement indiqué pour le ventilateur.** L'usage de tout autre bloc peut créer un risque d'incendie.
- **Ne pas utiliser le ventilateur si le commutateur ne permet pas de le mettre en marche ou de l'arrêter.** Un ventilateur qui ne peut pas être contrôlé par son commutateur est dangereux et doit être réparé.
- **Déconnecter le blocs-piles et mettre le commutateur en position d'arrêt ou de verrouillage avant d'effectuer des réglages, de changer d'accessoire ou de remiser le ventilateur.** Ces mesures de sécurité réduisent les risques de démarrage accidentel du ventilateur.
- **Ne recharger qu'avec l'appareil spécifié par le fabricant.** Un chargeur approprié pour un type de batterie peut créer un risque d'incendie s'il est utilisé avec un autre type de batterie.
- **Lorsque le blocs-piles n'est pas en usage, le tenir à l'écart d'articles métalliques tels que : les attaches trombones, pièces de monnaie, clous, vis et autres petits objets métalliques risquant d'établir le contact entre les deux bornes.** La mise en court-circuit des bornes de piles peut causer des étincelles, des brûlures ou un incendie.
- **En cas d'usage abusif, du liquide peut s'échapper des batteries. Éviter tout contact avec ce liquide. En cas de contact accidentel, rincer immédiatement les parties atteintes avec de l'eau. Si le liquide pénètre dans vos yeux, il faut aussi consulter un médecin.** Le liquide s'échappant des batteries peut causer des irritations ou des brûlures.
- **Ne pas utiliser un bloc-piles ou un outil endommagé ou modifié.** Les piles endommagées ou modifiées peuvent produire un comportement imprévisible pouvant provoquer un incendie, une explosion ou des blessures.
- **Ne pas exposer le bloc-piles ou l'outil au feu ou à des températures excessives.** Une exposition au feu ou à une température supérieure à 130 °C peut provoquer une explosion.
- **Garder le ventilateur et sa poignée secs, propres et exempts d'huile ou de graisse.** Toujours utiliser un chiffon propre pour le nettoyage. Ne jamais utiliser de liquide de freins, d'essence, de produits à base de pétrole ou de solvants forts pour nettoyer l'outil. Le respect

de ces règles réduira les risques de perte de contrôle et d'endommagement du boîtier en plastique.

- **Apprendre à connaître l'outil. Lire attentivement le manuel d'utilisation. Apprendre les applications et les limites de l'outil, ainsi que les risques spécifiques relatifs à son utilisation.** Le respect de cette consigne réduira les risques d'incendie, de choc électrique et de blessures graves.
- **Les outils fonctionnant sur piles n'ayant pas besoin d'être branchés sur une prise secteur, ils sont toujours en état de fonctionnement. Tenir compte des dangers possibles lorsque l'outil n'est pas en usage et lors du remplacement des piles.** Le respect de cette consigne réduira les risques d'incendie, de choc électrique et de blessures graves.
- **Ne pas placer les outils électriques sans fil ou leurs piles à proximité de flammes ou d'une source de chaleur.** Ceci réduira les risques d'explosion et de blessures.
- **Ne pas écraser, faire tomber ou endommager le bloc-piles. Ne jamais utiliser un bloc-piles ou un chargeur qui est tombé, a été écrasé, a reçu un choc violent ou a été endommagé de quelque façon que ce soit.** Une pile endommagée risque d'exploser. Éliminer immédiatement toute pile endommagée, selon une méthode appropriée.
- **Les piles peuvent exploser en présence d'une source d'allumage, telle qu'une veilleuse.** Pour réduire les risques de blessures graves, ne jamais utiliser un appareil sans fil, quel qu'il soit, en présence d'une flamme vive. En explosant, une pile peut projeter des débris et des produits chimiques. En cas d'exposition, rincer immédiatement les parties atteintes avec de l'eau.
- **Ne pas recharger un outil fonctionnant sur piles dans un endroit humide ou mouillé.** Le respect de cette règle réduira les risques de choc électrique.
- **Si l'outil est utilisé de façon intensive ou sous des températures extrêmes, des fuites de pile peuvent se produire. En cas de contact du liquide avec la peau, rincer immédiatement la partie atteinte avec de l'eau. En cas d'éclaboussure dans les yeux, les rincer à l'eau fraîche pendant au moins 10 minutes, puis contacter immédiatement un médecin.** Le respect de cette règle réduira les risques de blessures graves.
- **Ne pas incinérer le ventilateur même s'il est très endommagé.** Les piles peuvent exploser dans le feu.
- **Pour réduire les risques d'incendie et de choc électrique, ne pas utiliser de ventilateur avec un dispositif de contrôle de vitesse à circuit solide.**
- **Pas pour l'usage dans les cuisines.**
- **Pour une utilisation générale uniquement.** Ne pas utiliser pour évacuer des vapeurs et des matériaux dangereux ou explosifs.

INSTRUCTIONS IMPORTANTES CONCERNANT LA SÉCURITÉ

- Pour réduire le risque de blessure et de chocs électriques, le ventilateur ne doit pas être utilisé comme un jouet ou placé à portée des enfants.
- Pour réduire le risque de chocs électriques, ne pas exposer à l'eau ou à la pluie.
- S'assurer que le couvercle du logement de piles est fermé correctement afin de prévenir tout contact et toute infiltration d'eau vers la pile.
- Suivre toutes les instructions afférentes à la recharge et ne pas recharger le bloc-piles ou l'appareil hors des températures spécifiées dans les instructions. Une recharge incorrecte ou hors des températures spécifiées peut endommager la pile et augmenter les risques de feu.
- Demander à un réparateur qualifié d'effectuer la réparation en utilisant des pièces de rechange identiques. Ceci assurera la bonne sécurité du produit réparé.
- Ne pas modifier ni tenter de réparer l'appareil ou le bloc-piles (le cas échéant), sauf comme indiqué dans les instructions d'utilisation et d'entretien.

DÉPANNAGE

- Les réparations doivent être confiées à un technicien qualifié, utilisant exclusivement des pièces identiques à celles d'origine. Ceci assurera le maintien de la sécurité de l'outil.
- Utiliser exclusivement des pièces identiques à celles d'origine pour les réparations. Se conformer aux instructions de la section Entretien de ce manuel. L'usage de pièces non autorisées ou le non-respect des instructions peut présenter des risques de choc électrique ou de blessures.
- Conserver ces instructions. Les consulter fréquemment et les utiliser pour instruire les autres utilisateurs éventuels. Si cet outil est prêté, il doit être accompagné de ces instructions.

AVERTISSEMENTS DE SÉCURITÉ RELATIFS VENTILATEUR PORTATIF

- Apprendre à connaître le produit. Lire attentivement le manuel d'utilisation. Apprendre les applications et les limites du produit, ainsi que les risques spécifiques relatifs à son utilisation. Le respect de cette consigne réduira les risques d'incendie, de choc électrique et de blessures graves.
- Pour réduire le risque de décharge électrique, ne pas utiliser le ventilateur près de l'eau ou la pluie surtout s'il est alimenté par le cordon d'alimentation. Ne pas permettre au bloc-pile de se mouiller.
- Ne nettoyer l'appareil qu'avec un chiffon sec.
- Ne pas installer l'appareil près de sources de chaleur telles que radiateurs, bouches de chaleurs, poêles ni d'autres appareils (y compris les amplificateurs) qui produisent de la chaleur.
- Ne pas recharger un outil fonctionnant sur piles dans un endroit humide ou mouillé. Ne pas utiliser, remiser ou charger le bloc-piles ou produits dans des emplacements où la température est inférieure 10 °C (50 °F) à ou supérieure à 38 °C (100 °F). Entreposer l'outil seulement à l'intérieur.
- Pour réduire les risques d'incendie et de choc électrique, ne pas utiliser de produit avec un dispositif de contrôle de vitesse à circuit solide.
- Pour réduire le risque de blessure et de chocs électriques, le ventilateur ne doit pas être utilisé comme un jouet ou placé à portée des enfants.
- Conserver ces instructions. Les consulter fréquemment et les utiliser pour instruire les autres utilisateurs éventuels. Si cet outil est prêté, il doit être accompagné de ces instructions.

CARACTÉRISTIQUES ÉLECTRIQUES

DOUBLE ISOLATION

La double isolation est un dispositif de sécurité utilisé sur les produits à moteur électriques, éliminant le besoin de cordon d'alimentation habituel à trois fils avec terre. Toutes les pièces métalliques exposées sont isolées des composants internes du moteur par l'isolation protectrice. Les produits à double isolation ne nécessitent pas de mise à la terre.

AVERTISSEMENT :

Le système à double isolation est conçu pour protéger l'utilisateur contre les chocs électriques causés par une rupture du câblage interne de l'produit. Prendre toutes les précautions de sécurité normales pour éviter les chocs électriques.

NOTE : La réparation d'un produit à double isolation exigeant des précautions extrêmes ainsi que la connaissance du système, elle ne doit être confiée qu'à un réparateur qualifié. En ce qui concerne les réparations, nous recommandons de confier l'produit au centre de réparation le plus proche. Utiliser exclusivement des pièces d'origine pour les réparations.

CONNEXIONS ÉLECTRIQUES

Ce produit hybride peut fonctionner avec du courant alternatif (ca) grâce à une rallonge électrique ou avec du courant continu (cc) grâce à un bloc-piles. Si le produit ne fonctionne ni avec une rallonge électrique ni avec le bloc-piles, double-vérifiez l'alimentation électrique.

- Pour utiliser du courant alternatif, branchez le produit à une **source d'alimentation de 120 V, ca seulement (courant normal d'une demeure), 60 Hz.**
- Pour utiliser du courant continu, installez **seulement un bloc-piles de 18 V recommandé par le fabricant.**

DISJONCTEUR DE FUITE À LA TERRE

Voir la figure 1, page 11.

Cette unité est recommandé pour une utilisation avec d'un disjoncteur de fuite à la terre qui protège des dangers de courants de défaut à la terre. Un exemple de courant de défaut à la terre est le courant qui passerait par une personne utilisant un appareil dont l'isolation serait défectueuse, et qui serait en même temps en contact avec une mise électrique à la terre, telle qu'un dispositif de plomberie, un sol mouillé ou la terre.

Les bouchons protégées par un disjoncteur de fuite à la terre ne protègent pas des court-circuits, des surcharges et des chocs électriques.

NOTE : Pour s'assurer que le produit est toujours prêt à être utilisé, appuyer sur le bouton « Reset » (Réinitialisation) chaque fois que le produit est branché dans une prise de courant.

Les bouchons protégées par un disjoncteur de fuite à la terre peuvent être testées au moyen des boutons TEST et RESET (Réinitialisation).

Pour tester :

- Appuyer sur le bouton TEST. Le son d'un enclenchement (clic) se fera entendre et le témoin DEL s'éteindra.
- Pour restaurer l'alimentation, appuyer sur le bouton RESET (Réinitialiser). Le témoin DEL s'illuminera pour indiquer que l'alimentation est rétablie.

Effectuer ce test chaque mois pour assurer un bon fonctionnement du disjoncteur de fuite à la terre.

CORDONS PROLONGATEURS

Lors de l'utilisation d'un outil électrique à grande distance d'une prise secteur, veiller à utiliser un cordon prolongateur d'une capacité suffisante pour supporter l'appel de courant de l'produit. Un cordon de capacité insuffisante causerait une baisse de la tension de ligne, entraînant une perte de puissance et une surchauffe. Se reporter au tableau ci-dessous pour déterminer le calibre minimum de fil requis pour un cordon donné. Utiliser exclusivement des cordons à gaine cylindrique homologués par Underwriter's Laboratories (UL).

Si vous utilisez ce produit à l'extérieur, utiliser un cordon prolongateur spécialement conçu à cet effet. Ce type de cordon porte l'inscription « WA » ou « W » sur sa gaine.

Avant d'utiliser un cordon prolongateur, vérifier que ses fils ne sont ni détachés ni exposés et que son isolation n'est ni coupée, ni usée.

**Intensité nominale (sur la plaquette signalétique de l'produit)

0-2,0 2,1-3,4 3,5-5,0 5,1-7,0 7,1-12,0 12,1-16,0

Longueur du cordon	Calibre de fil (A.W.G.)					
	16	16	16	16	14	14
25'	16	16	16	16	14	14
50'	16	16	16	14	14	12
100'	16	16	14	12	10	—

**Utilisé sur circuit de calibre 12 – 20 A

NOTE : AWG = American Wire Gauge

AVERTISSEMENT :




Maintenir le cordon prolongateur à l'écart de la zone de travail. Lors du travail avec un cordon électrique, placer le cordon de manière à ce qu'il ne risque pas de se prendre dans les pièces de bois, produits et autres obstacles. Ne pas prendre cette précaution peut entraîner des blessures graves.

AVERTISSEMENT :










Vérifier l'état des cordons prolongateurs avant chaque utilisation. Remplacer immédiatement tout cordon endommagé. Ne jamais utiliser un produit dont le cordon d'alimentation est endommagé, car tout contact avec la partie endommagée pourrait causer un choc électrique et des blessures graves.

SYMBOLES

Les termes de mise en garde suivants et leur signification ont pour but d'expliquer le degré de risques associé à l'utilisation de ce produit.


SYMBOLE	SIGNAL	SIGNIFICATION
	DANGER :	Indique une situation dangereuse qui, si elle n'est pas évitée, aura pour conséquences des blessures graves ou mortelles.
	AVERTISSEMENT :	Indique une situation dangereuse qui, si elle n'est pas évitée, pourrait entraîner des blessures graves ou mortelles.
	ATTENTION :	Indique une situation dangereuse qui, si elle n'est pas évitée, pourrait entraîner des blessures légères ou de gravité modérée.
	AVIS :	(Sans symbole d'alerte de sécurité) Indique les informations jugées importantes sans toutefois représenter un risque de blessure (ex. : messages concernant les dommages matériels).

Certains des symboles ci-dessous peuvent être utilisés sur produit. Veiller à les étudier et à apprendre leur signification. Une interprétation correcte de ces symboles permettra d'utiliser produit plus efficacement et de réduire les risques.

SYMBOLE	NOM	DÉSIGNATION / EXPLICATION
	Symbole d'alerte de sécurité	Indique un risque de blessure potentiel.
	Lire le manuel d'utilisation	Pour réduire les risques de blessures, l'utilisateur doit lire et veiller à bien comprendre le manuel d'utilisation avant d'utiliser ce produit.
	Électrocution / Choc électrique	Diriger la pulvérisation d'eau loin de tout dispositif électrique afin de réduire le risque d'électrocution ou de décharge électrique.
	Brûlures chimiques	Pour réduire les risques de blessures ou de dommages matériels, NE PAS UTILISER DE PRODUITS ACIDES, ALCALINS OU JAVÉLISÉS, NI DE SUBSTANCES INFLAMMABLES OU DE SOLUTIONS DE QUALITÉ INDUSTRIELLE dans ce produit.
	Surface glissante	Des raccords de tuyau flexible mal effectués et/ou des fuites peuvent rendre une surface glissante et créer un risque de glissement ou de chute.
	Avertissement concernant l'humidité	Ne pas exposer à la pluie ou l'humidité.
	Cheveux longs	Ne pas garder les cheveux longs à l'écart de l'entrée d'air peut entraîner des blessures.
	Hélices de ventilateur	Tout contact avec des hélices de ventilateur en mouvement peut provoquer des blessures graves.
	Symbole de recyclage	Ce produit utilise les piles de lithium-ion (Li-ion). Les réglementations locales ou gouvernementales peuvent interdire de jeter les piles dans les ordures ménagères. Consulter les autorités locales compétentes pour les options de recyclage et/ou l'élimination.
V	Volts	Tension
A	Ampères	Intensité

SYMBOLES

Certains des symboles ci-dessous peuvent être utilisés sur produit. Veiller à les étudier et à apprendre leur signification. Une interprétation correcte de ces symboles permettra d'utiliser produit plus efficacement et de réduire les risques.

SYMBOLE	NOM	DÉSIGNATION / EXPLICATION
Hz	Hertz	Fréquence (cycles par seconde)
W	Watt	Alimentation
min	Minutes	Temps
≡	Courant continu	Type ou caractéristique du courant
~	Courant alternatif	Type de courant
	Outil de la classe II	Construction à double isolation

CARACTÉRISTIQUES

FICHE TECHNIQUE

Moteur18 V c.c.120 V, c.a. seulement, 60 Hz Commutateur 2 vitesses

ASSEMBLAGE

DÉBALLAGE

Ce produit nécessite un assemblage.

- Avec précaution, sortir l'outil et les accessoires de la boîte. Tous les articles énumérés sous « **Inclut** » doivent se trouver dans l'emballage au moment de l'achat.

AVERTISSEMENT :

Certaines pièces figurant dans cette section *Assemblage* n'ont pas été installées sur le produit par le fabricant et exigent une installation du client. Le fait d'utiliser un produit qui a été assemblé de façon inadéquate peut entraîner des blessures.

Si des pièces manquent ou sont endommagées, veuillez appeler au 1-800-525-2579 pour obtenir de l'aide.

AVERTISSEMENT :

Si des pièces manquent ou sont endommagées, ne pas utiliser cet outil avant qu'elles aient été remplacées. Le non-respect de cet avertissement pourrait entraîner des blessures graves.

AVERTISSEMENT :

Ne pas essayer de modifier cet outil ou de créer des accessoires ou de pièces non recommandés pour l'outil. De telles altérations ou modifications sont considérées comme un usage abusif et peuvent créer des conditions dangereuses, risquant d'entraîner des blessures graves.

INSTALLATION DE POIGNÉE DE TRANSPORT

Voir la figure 2, page 11.

- Aligner les trous de la poignée de transport sur les boulons du boîtier du ventilateur.
- Placer les rondelles sur les deux boulons et la poignée de transport.
- Insérer les écrous dans la clé à douille incluse et les enfiler sur les boulons.
- Utiliser la clé à douille pour serrer les écrous sur les boulons jusqu'à ce qu'ils soient bien en place.

UTILISATION

AVERTISSEMENT :

Ne pas laisser la familiarité avec l'outil faire oublier la prudence. Ne pas oublier qu'une fraction de seconde d'inattention peut entraîner des blessures graves.

AVERTISSEMENT :

Diriger la pulvérisation d'eau loin de tout dispositif électrique afin de réduire le risque d'électrocution ou de décharge électrique.

AVERTISSEMENT :

Ne pas utiliser d'outils ou accessoires non recommandés par le fabricant pour cet outil. L'utilisation de pièces et accessoires non recommandés peut entraîner des blessures graves.

AVERTISSEMENT :

Toujours retirer le bloc-piles ou cordon prolongateur de le produit au moment d'assembler des pièces, d'effectuer des réglages et de procéder au nettoyage, ou lorsque l'outil n'est pas utilisé. Le fait de retirer la pile ou cordon prolongateur permet d'empêcher un démarrage accidentel pouvant entraîner des blessures graves.

APPLICATIONS

Cet outil peut être utilisé pour l'application ci-dessous :

- Ventilation générale de la plupart des pièces de la maison

AVERTISSEMENT :

Les outils hybrides sont toujours en état de fonctionnement. Il est donc nécessaire de toujours régler l'interrupteur sur la position centrale ou sur **D'ARRÊT (O)** lorsque l'outil n'est pas en usage.

AVIS :

Ce produit a été conçu pour être alimenté par un bloc-piles de 18 V ONE+™ de RYOBI™ (mode CC) ou une source d'alimentation électrique (mode CA). L'une des sources d'alimentation peut être utilisée soit par un bloc-piles approuvé ou par le cordon d'alimentation du produit, comme décrit dans ce manuel.

INSTALLATION/RETRAIT DU BLOC-PILES

Voir la figure 3, page 11.

- Régler l'interrupteur de vitesse sur la position centrale, ou **D'ARRÊT (O)**.
- Ouvrir la porte du compartiment des piles.
- Insérer la bloc-piles dans l'outil tel qu'illustré.
- S'assurer que ses deux loquets latéraux s'engagent correctement et vérifier que le bloc-piles est solidement assujéti avant d'utiliser produit.
- Fermer la porte du logement du bloc-piles.

AVERTISSEMENT :

Ne pas utiliser le ventilateur de brumisation si le couvercle de la pile n'est pas complètement fermé. Ne JAMAIS laisser de l'eau ou tout autre liquide pénétrer dans le compartiment des piles.

- Relâcher les loquets pour retirer le bloc-piles.

NOTE : Au besoin, le couvercle de pile peut être verrouillé en installant un cadenas dans les trous situés sur le dessus du couvercle.

Pour prendre connaissance des consignes de chargement, consulter le manuel d'utilisation des piles et des chargeurs.

UTILISATION DU CORDON D'ALIMENTATION (NON INCLUS)

Voir la figure 4, page 12.

NOTE : Utiliser un cordon équipé d'un disjoncteur de fuite à la terre.

- Placer l'interrupteur de vitesse dans la position **ARRÊT (O)**.
- Insérer la partie femelle du cordon d'alimentation dans le produit, comme illustré.
- Raccorder la fiche du cordon d'alimentation dans une source d'énergie.
- S'assurer que le cordon d'alimentation est raccordé correctement avant d'allumer le ventilateur.

L'INTERRUPTEUR LOW (FAIBLE) / OFF (ARRÊT) / HIGH (ÉLEVÉ) DE VENTILATEUR

Voir la figure 5, page 12.

L'interrupteur **LOW** (faible) / **OFF** (arrêt) / **HIGH** (élevé) est situé à la centre de la partie avant de la base.

- Pour sélectionner la ventilateur **LOW** appuyer sur **(I)**.
- Pour sélectionner la ventilateur **HIGH** appuyer sur **(II)**.
- Pour mettre le ventilateur à **OFF**, sélectionner la position du centre **(O)**.

UTILISATION

SUSPENDRE LE VENTILATEUR PORTABLE SELON LE MONTAGE À TROU DE SERRURE

Voir la figure 6, page 12.

NOTE : Prendre soin de ne pas suspendre le ventilateur de manière à nuire au fonctionnement normal du ventilateur ou pouvant endommager le cordon d'alimentation.

- Utiliser une vis d'une taille minimum de 6 mm pour monter le ventilateur.
- S'assurer que la vis est bien fixée dans un montant et que la partie exposée de la vis ne dépasse pas plus que 15,9 mm (5/8 po)
- Glisser le support à trou de serrure, situé sur le membre transversal du cadre, sur la vis. S'assurer que le ventilateur est monté de manière sécuritaire.

TÊTE AJUSTABLE

Voir la figure 6, page 12.

Pour changer l'angle de la tête du ventilateur, desserrer le bouton de réglage sur chaque côté de la tête du ventilateur. Sélectionner la position désirée et serrer chaque bouton.

AVIS :

Ajuster la tête du ventilateur sans desserrer les boutons de réglage peut endommager le ventilateur.

AJUSTER L'ANGLE DE BRUMISATION

Voir la figure 7, page 13.

L'angle du ventilateur peut être ajusté vers l'avant à -15° ou vers l'arrière à 45° afin d'orienter la brume.

UTILISER LE TUBE DE BRUMISATION AVEC UN BOYAU D'ARROSAGE (NON INCLUS)

Voir la figure 8, page 13.

AVERTISSEMENT :

Toujours acheminer et éloigner les boyaux des aires de circulation afin de prévenir le risque de chute.

- Choisir une surface plane et stable comme un patio en béton ou une table.
- Mettre l'interrupteur du ventilateur à la position **OFF (O)**.
- Pendant que le robinet d'eau est complètement fermé, raccorder fermement le boyau d'arrosage (non inclus) au raccord du boyau d'admission et serrer à la main.
- Installer le bloc-piles et fermer le compartiment.
- Ouvrir complètement le robinet du boyau d'arrosage pour permettre au boyau d'arrosage de se remplir d'eau.
- Tourner la valve de contrôle de l'eau sur le connecteur du tuyau d'arrosage en position ON.
- Mettre l'interrupteur du ventilateur à la position **LOW (I)** ou **HIGH (II)**.

Pour déplacer le ventilateur :

- Régler l'interrupteur du ventilateur à la position **OFF (O)**.

NOTE : Il n'est pas possible de retirer le tube d'admission.

UTILISER LE VENTILATEUR SANS LA BRUME

Si désiré, ce produit peut être utilisé simplement comme ventilateur lorsqu'il n'est pas raccordé à une source d'eau. Toujours débrancher le boyau d'arrosage et placer le tube de brumisation dans son espace de rangement.

ENTRETIEN

AVERTISSEMENT :

Utiliser exclusivement des pièces d'origine pour les réparations. L'usage de toute autre pièce pourrait créer une situation dangereuse ou endommager l'produit.

ENTRETIEN GÉNÉRAL

Éviter d'utiliser des solvants pour le nettoyage des pièces en plastique. La plupart des matières plastiques peuvent être endommagées par divers types de solvants du commerce. Utiliser un chiffon propre pour éliminer la saleté, la poussière, l'huile, la graisse, etc.

AVERTISSEMENT :

Pendant que le bloc-piles n'est pas installé dans le ventilateur de brumisation, toujours nettoyer et sécher complètement toutes les pièces du ventilateur de brumisation et du boyau d'admission dès la fin de l'utilisation afin de prévenir la formation possible de bactéries et de moisissures. Un jet de vaporisation contenant des bactéries ou des moisissures peut provoquer des blessures graves ou des maladies.

ENTRETIEN DE BUSE

Voir la figure 9, page 13.

AVERTISSEMENT :

S'assurer d'entretenir correctement toutes les buses afin de prévenir les fuites. Les fuites peuvent rendre une surface glissante et représenter un risque de glissement ou de chute en plus de causer des dommages matériels.

Une pulvérisation irrégulière ou une fuite indique que la buse est obstruée ou sale.

Pour nettoyer les buses :

- S'assurer que l'interrupteur de courant et l'interrupteur de la pompe sont à la position **OFF (O)**.
- Retire le bloc piles.
- Retirer les buses en laiton de chaque côté du ventilateur.
- Tremper les buses dans le nettoyant pour buses (non inclus) pour déloger les matériaux obstruant la buse.
- À l'aide d'un boyau d'arrosage, rincer les débris se trouvant dans la buse en effectuant un rinçage à circulation inversée (rincer la buse uniquement avec de l'eau en laissant celle-ci couler en sens inverse ou de l'extérieur vers l'intérieur).
- Réinstaller les buses.

DÉPANNAGE

PROBLÈME	CAUSE	SOLUTION
Fuite depuis la buse ou le trou fileté	Buses mal installées. Buses obstruées ou sales.	Remplacer la buse et serrer fermement. Nettoyer la buse.
Le ventilateur ne démarre pas	Le bloc piles est défectueux ou faible.	Recharger le bloc piles ou consulter service à la clientèle

NOTE : ILLUSTRATIONS COMMENÇANT SUR 11 DE PAGE APRÈS LA SECTION ESPAGNOL.

INSTRUCCIONES DE SEGURIDAD IMPORTANTES

ADVERTENCIA

LEA Y COMPRENDA TODAS LAS INSTRUCCIONES.

El incumplimiento de las instrucciones señaladas abajo puede causar descargas eléctricas, incendios y lesiones serias.

- **Para reducir el riesgo de lesiones**, se requiere una estrecha supervisión cuando se use el producto cerca de niños.
- **No permita que los niños hagan funcionar este producto. No es un juguete.**
- **Tenga suma precaución para evitar resbalarse o caer**
- **Sólo use accesorios recomendados.** El empleo de accesorios inadecuados puede presentar riesgos de lesiones.
- **Nunca deje el producto funcionando sin supervisión. Apague completamente el grifo de la manguera y extraiga el paquete de baterías.** No se aleje del producto hasta que el rociado se haya detenido por completo.
- **Nunca dirija rocío o agua hacia ningún cableado o dispositivo eléctrico.**
- **Asegúrese de que todas las mangueras y todos los accesorios estén conectados correctamente antes de usar el producto.**
- **Use SOLAMENTE agua limpia y fría.**
- **Entreposer à l'intérieur.**
- **No utilice este ventilador rociador para rociar pesticidas, fertilizantes, productos químicos o líquidos que no sean agua potable.** Esparcir estas sustancias podría producir lesiones serias o enfermedad al operador o a las personas presentes.
- **Asegúrese de que la manguera y el tubo de rociado estén ubicados en un lugar donde no estén expuestos a pisaduras, no generen tropezones, no entren en contacto con bordes afilados o piezas móviles o donde no se encuentren expuestos a ninguna otra clase de daño o estrés.** De esta manera, se reducirá el riesgo de caídas accidentales, que podrían causar lesiones, y de daños en la manguera y el tubo de rociado, que podrían impedir que el producto funcione correctamente.
- **Tenga cuidado cuando posicione el producto para usarlo.** Nunca coloque la unidad cerca de tomas de corriente o interruptores eléctricos.
- **Busque señales de daños en las mangueras y las piezas.** Reemplace cualquier manguera o pieza dañada.
- **Verifique que todas las conexiones estén firmes antes de operar la unidad.**

- **Sea precavido cuando use la unidad cuando haya mucho viento.** El viento fuerte puede hacer que el producto rociado ingrese a cables o dispositivos eléctricos.
- **No retuerza ni doble en exceso la manguera o tubo de rociado.**
- **Asegúrese de que todas las conexiones de la manguera estén fijas antes de usar el ventilador rociador.** El agua derramada y las fugas pueden generar una superficie resbaladiza y crear un riesgo de resbalones y caídas.

SEGURIDAD ELÉCTRICA

- **Usar este producto únicamente con la baterías y el cargador indicados en el folleto de la herramienta/aparato/paquete de baterías/cargador complementario 987000-432.**
- **No anule la característica de seguridad de la clavija polarizada o clavija del tipo de conexión a tierra.** Una clavija polarizada tiene dos patillas, una de las cuales es más ancha que la otra. Una clavija del tipo de conexión a tierra tiene dos patillas y una tercera de conexión a tierra. La patilla más ancha o la tercera patilla se suministran para seguridad del operador. Si la clavija no encaja en la toma de corriente, consulte a un electricista para que cambie la toma de corriente obsoleta.
- **Proteja el cordón eléctrico para evitar que se lo pise o pellizque, especialmente a la altura de las clavijas, de las tomas de corriente y del punto de conexión de salida del aparato.**
- **Desenchufe este aparato durante las tormentas eléctricas o cuando no se utilice la máquina.**
- **Inspeccione los cordones de extensión cada vez antes de usarlos. Si están dañados reemplácelos de inmediato.** Nunca utilice la producto con un cordón dañado, ya que si toca la parte dañada puede producirse una descarga eléctrica, y las consecuentes lesiones serias.

SEGURIDAD PERSONAL

- **Vístase adecuadamente. No vista ropas holgadas ni joyas. Recójase el cabello si está largo. Mantenga el cabello y la ropa alejados de las piezas móviles.** Las ropas holgadas, las joyas y el cabello largo pueden engancharse en las piezas móviles pueden resultar atraídas hacia el interior de las aberturas de ventilación.
- **Evite un arranque accidental de la unidad. Asegúrese de que el interruptor esté en la posición de aseguramiento o de apagado antes de instalar el paquete de baterías o cordón de extensión.** Llevar los ventiladores con el dedo en el interruptor o instalar el paquete de baterías o cordón de extensión en la ventilador con el interruptor puesto es causa común de accidentes.

INSTRUCCIONES DE SEGURIDAD IMPORTANTES

- **No estire el cuerpo para alcanzar mayor distancia. Mantenga una postura firme y buen equilibrio en todo momento.** La postura firme y el buen equilibrio permiten un mejor control de la ventilador en situaciones inesperadas.
- **No utilice la unidad al estar en una escalera o en un soporte inestable.** Una postura estable sobre una superficie sólida permite un mejor control de la ventilador en situaciones inesperadas.
- **Observe constantemente la ubicación del cordón eléctrico.**

EMPLEO Y CUIDADO DE LA HERRAMIENTA DE BATERÍAS

- **Utilice los ventiladores de baterías sólo con el paquete de baterías específicamente indicado.** El empleo de baterías diferentes puede presentar un riesgo de incendio.
- **No utilice los ventiladores si el interruptor no enciende o no apaga.** Un ventilador que no puede controlarse con el interruptor es peligroso y debe repararse.
- **Desconecte el paquete de baterías de el ventilador o ponga el interruptor en la posición de aseguramiento o apagado antes de efectuar ajustes, de cambiar accesorios o de guardar el ventilador.** Con tales medidas preventivas de seguridad se reduce el riesgo de poner en marcha accidentalmente el ventilador.
- **Sólo cargue el paquete de pilas con el cargador especificado por el fabricante.** Un cargador adecuado para un tipo paquete de baterías puede significar un riesgo de incendio si se emplea con otro paquete de baterías.
- **Cuando no esté usando el paquete de baterías, manténgalo alejado de todo objeto metálico como: clips, monedas, llaves, clavos, tornillos y otros objetos metálicos pequeños que puedan establecer conexión entre ambas terminales.** Establecer una conexión directa entre las dos terminales puede causar chispas, quemaduras o incendios.
- **Si se maltratan las pilas, puede derramarse líquido de las mismas; evite todo contacto con éste. En caso de contacto, lávese con agua. Si el líquido llega a tocar los ojos, además busque atención médica.** El líquido que sale despedido de la bateía puede causar irritaciones o quemaduras.
- **No utilice una batería o herramienta dañada o modificada.** Las baterías dañadas o modificadas pueden tener un funcionamiento impredecible que provoque incendios, explosiones o riesgo de lesiones.
- **No exponga la batería o herramienta al fuego o a temperaturas excesivas.** La exposición al fuego o a una temperatura superior a los 130 °C puede provocar explosiones.
- **Mantenga el ventilador y el mango secos, limpios y sin aceite ni grasa.** Siempre utilice un paño limpio para la limpieza de la unidad. Nunca utilice fluidos para frenos, gasolina, productos a base de petróleo ni solventes fuertes para limpiar el ventilador. Con el cumplimiento de esta regla se reduce el riesgo de una pérdida de control y el deterioro del alojamiento de plástico de la unidad.
- **Familiarícese con su ventilador eléctrico. Lea cuidadosamente el manual del operador. Aprenda sus usos y limitaciones, así como los posibles peligros específicos de este ventilador.** Con el cumplimiento de esta regla se reduce el riesgo de una descarga eléctrica, incendio o lesión seria.
- **No se necesita conectar a una toma de corriente los ventiladores de baterías; por lo tanto, siempre están en condiciones de funcionamiento. Esté consciente de los posibles peligros cuando no esté usando el ventilador de baterías o cuando esté cambiando los accesorios del mismo.** Con el cumplimiento de esta regla se reduce el riesgo de una descarga eléctrica, incendio o lesión corporal seria.
- **No coloque productos de baterías ni las baterías mismas cerca del fuego o del calor.** De esta manera se reduce el riesgo de explosiones y de lesiones.
- **No aplaste, deje caer ni dañe el paquete de pilas. Nunca vuelva a utilizar una pila que haya sufrido una caída o un golpe sólido.** Las pilas dañadas pueden sufrir explosiones. Properly dispose of a dropped or damaged battery immediately.
- **Las baterías pueden explotar en presencia de una fuente de inflamación, como una luz guía.** Para reducir el riesgo de lesiones corporales serias, nunca use un producto inalámbrico en presencia de llamas expuestas. La explosión de una batería puede lanzar fragmentos y compuestos químicos. Si ha quedado expuesto a la explosión de una batería, lávese de inmediato con agua.
- **No cargue ventiladores de baterías en lugares mojados o húmedos.** Con el cumplimiento de esta regla se reduce el riesgo de una descarga eléctrica.
- **En condiciones extremas de uso o temperatura las baterías pueden emanar líquido. Si el líquido llega a tocarle la piel, lávese de inmediato con agua y jabón, y después neutralice los efectos con jugo de limón o vinagre. Si le entra líquido en los ojos, láveselos con agua limpia por lo menos 10 minutos, y después busque de inmediato atención médica.** Con el cumplimiento de esta regla se reduce el riesgo de lesiones serias.
- **No incinere este aparato, incluso si está dañado seriamente.** Las baterías pueden estallar e incendiarse.
- **Para reducir el riesgo de incendio o descarga eléctrica, no utilice este ventilador con ningún dispositivo de control de velocidad de estado sólido.**
- **No es para uso en cocinas.**

INSTRUCCIONES DE SEGURIDAD IMPORTANTES

- **Para usos sólo de ventilación en general.** No utilice para extraer materiales y vapores explosivos o peligrosos.
- **Para reducir el riesgo de lesión personal y descarga eléctrica, el ventilador portátil no debe usarse o colocarse al alcance de niños pequeños.**
- **Para reducir el riesgo de descarga eléctrica, no lo exponga a la lluvia o al agua.**
- **Asegúrese de que la cubierta del compartimiento de la batería esté completamente cerrada para evitar que el agua entre en contacto con la batería o ingrese al puerto de la batería.**
- **Siga todas las instrucciones de carga y no cargue la batería ni el aparato fuera del rango de temperaturas especificado en las instrucciones.** Si realiza la carga en forma inapropiada o fuera de la temperatura del rango especificado, puede dañar la batería y aumentar el riesgo de incendios.
- Asegúrese de que un técnico de reparación calificado haga el mantenimiento usando solo repuestos idénticos. De esta manera, mantendrá la seguridad del producto.
- No modifique ni intente reparar el dispositivo ni la batería (según corresponda), excepto como se indica en las instrucciones de uso y cuidado.

SERVICIO

- **El servicio del ventilador sólo debe ser efectuado por personal de reparación calificado.** Todo servicio o mantenimiento efectuado por personal no calificado puede significar un riesgo de lesiones.
- **Al dar servicio a un ventilador, sólo utilice piezas de repuesto idénticas. Siga las instrucciones señaladas en la sección Mantenimiento de este manual.** El empleo de piezas no autorizadas o el incumplimiento de las instrucciones de mantenimiento puede significar un riesgo de descarga eléctrica o de lesiones.
- **Guarde estas instrucciones.** Consúltelas con frecuencia y empléelas para instruir a otras personas que puedan utilizar esta herramienta. Si presta a alguien esta herramienta, facilítele también las instrucciones.

ADVERTENCIAS DE SEGURIDAD VENTILADOR PORTÁTIL

- **Familiarícese con su ventilador eléctrico.** Lea cuidadosamente el manual del operador. Aprenda sus usos y limitaciones, así como los posibles peligros específicos de este ventilador. Con el cumplimiento de esta regla se reduce el riesgo de una descarga eléctrica, incendio o lesión seria.
- **Para reducir el riesgo de descarga eléctrica, no utilice este ventilador cerca del agua o la lluvia, especialmente cuando está conectado a través del cable de alimentación. No deje que la batería se humedezca.**
- **Limpie sólo con un paño seco.**
- **No instale cerca de fuentes de calor como, por ejemplo, radiadores, rejillas térmicas u otros aparatos que generen calor (entre ellos, amplificadores).**
- **No cargue herramientas de baterías en lugares mojados o húmedos. No lo utilice, guarde o cargue la paquete de baterías o la unidad en lugares donde la temperatura sea inferior a 10 °C (50 °F) o superior a 38 °C (100 °F).** Guarde la unidad en el interior.
- **Para reducir el riesgo de incendio o descarga eléctrica, no utilice este ventilador con ningún dispositivo de control de velocidad de estado sólido.**
- **Para reducir el riesgo de lesión personal y descarga eléctrica, el ventilador portátil no debe usarse o colocarse al alcance de niños pequeños.**
- **Guarde estas instrucciones.** Consúltelas con frecuencia y empléelas para instruir a otras personas que puedan utilizar esta herramienta. Si presta a alguien esta herramienta, facilítele también las instrucciones.

ASPECTOS ELÉCTRICOS

DOBLE AISLAMIENTO

El doble aislamiento es una característica de seguridad de las productos eléctricas, la cual elimina la necesidad de usar el típico cordón eléctrico de tres conductores con conexión a tierra. Todas las partes metálicas expuestas están aisladas de los componentes metálicos internos del motor por medio de aislamiento de protección. No es necesario conectar a tierra las producto con doble aislamiento.



ADVERTENCIA:

El sistema de doble aislamiento está destinado para proteger al usuario contra las descargas eléctricas resultantes de la ruptura del cableado interno de la producto. Observe todas las precauciones de seguridad para evitar descargas eléctricas.

NOTA: El mantenimiento de una producto con doble aislamiento requiere sumo cuidado y conocimiento del sistema, y únicamente deben realizarlo técnicos de servicio calificados. Para el servicio de la producto, le sugerimos llevarla al centro de servicio autorizado más cercano para toda reparación. Siempre utilice piezas de repuesto de la fábrica original al dar servicio a la unidad.

CONEXIÓN ELÉCTRICA

Este es un producto híbrido que funciona con corriente alterna (CA) mediante un cable de extensión o corriente continua (CC) mediante un paquete de baterías. Si el producto no funciona al instalar un cable de extensión o un paquete de baterías, vuelva a verificar la fuente de alimentación.

- Para usar corriente alterna, conecte el producto a una **fuente de alimentación de 120 V, CA solamente (corriente utilizada comúnmente en los hogares) y 60 Hz.**
- Para usar corriente continua, instale **solo un paquete de baterías de 18 V recomendado por el fabricante.**

INTERRUPTOR DE CIRCUITO ACCIONADO POR FALLA DE CONEXIÓN A TIERRA

Vea la figura 1, página 11.

Esta unidad se recomienda para su uso con un interruptor del circuito accionado por falla de conexión a tierra (GFCI), el cual protege contra los peligros de las corrientes desarrolladas al presentarse tal falla. Un ejemplo de una corriente debida a una falla de conexión a tierra es la que fluiría a través de una persona que está utilizando un aparato con aislamiento defectuoso, y al mismo tiempo está en contacto con una tierra eléctrica como una parte de la plomería, suelo húmedo o tierra.

Las clavijas protegidos con GFCIs no protegen contra cortos circuitos, sobrecargas ni descargas eléctricas.

NOTA: Para asegurarse de que está listo para el uso, presione el botón de reajuste cada vez que conecte la lavadora de presión al suministro de corriente.

Las clavijas con GFCIs pueden probarse con los botones TEST [PRUEBA] y RESET [REAJUSTE].

Para efectuar una prueba:

- Oprima el botón TEST. Escuchará un clic y el diodo luminiscente se apagará
- Para restablecer la corriente, oprima el botón RESET. El diodo luminiscente se encenderá indicando que se ha restablecido la corriente.

Las clavijas con GFCIs pueden probarse con los botones TEST [PRUEBA] y RESET [REAJUSTE].

Realice mensualmente esta prueba para asegurarse del buen funcionamiento del GFCI.

CORDONES DE EXTENSIÓN

Al utilizar una producto eléctrica a una distancia considerable de la fuente de voltaje, asegúrese de utilizar un cordón de extensión con la suficiente capacidad para soportar la corriente de consumo de la producto. Un cordón de un calibre insuficiente causa una caída en el voltaje de línea, la cual a su vez produce recalentamiento y pérdida de potencia. Básese en la tabla suministrada para determinar el grueso mínimo requerido del cordón de extensión. Solamente deben utilizarse cordones con forro redondo registrados en Underwriter's Laboratories (UL). Si usa este producto al a la intemperie, utilice un cordón de extensión fabricado para uso en el exterior. Este tipo de cordón lleva las letras "WA" o "W" en el forro.

Antes de utilizar un cordón de extensión, inspecciónelo para ver si tiene conductores flojos o expuestos y aislamiento cortado o gastado.

**Amperaje (aparece en la placa de datos de la producto)

0-2,0 2,1-3,4 3,5-5,0 5,1-7,0 7,1-12,0 12,1-16,0

Longitud del cordón	Calibre conductores (A.W.G.)					
	16	16	16	16	14	14
25'	16	16	16	16	14	14
50'	16	16	16	14	14	12
100'	16	16	14	12	10	—

**Se usa en los circuitos de calibre 12, de 20 amperes.

NOTA: AWG = Calibre conductores norma americana



ADVERTENCIA:

Mantenga el cordón de extensión fuera del área de trabajo. Al trabajar con una producto eléctrica, coloque el cordón de tal manera que no pueda enredarse en la madera, productos ni en otras obstrucciones. La inobservancia de esta advertencia puede causar lesiones serias.






ADVERTENCIA:










Inspeccione los cordones de extensión cada vez antes de usarlos. Si están dañados reemplácelos de inmediato. Nunca utilice la producto con un cordón dañado, ya que si toca la parte dañada puede producirse una descarga eléctrica, y las consecuentes lesiones serias.

SÍMBOLOS

Las siguientes palabras de señalización y sus significados tienen el objeto de explicar los niveles de riesgo relacionados con este producto.

SÍMBOLO	SEÑAL	SIGNIFICADO
	PELIGRO:	Indica una situación peligrosa, la cual, si no se evita, causará la muerte o lesiones serias.
	ADVERTENCIA:	Indica una situación peligrosa, la cual, si no se evita, podría causar la muerte o lesiones serias.
	PRECAUCIÓN:	Indica una situación peligrosa, la cual, si no se evita, podría causar lesiones menores o leves.
	AVISO:	(Sin el símbolo de alerta de seguridad) Indica la información que se considera importante, pero no relacionada con lesiones potenciales (por ej. en relación a daños a la propiedad).

Es posible que se empleen en este producto algunos de los siguientes símbolos. Le suplicamos estudiarlos y aprender su significado. Una correcta interpretación de estos símbolos le permitirá utilizar mejor y de manera más segura el producto.

SÍMBOLO	NOMBRE	DENOMINACIÓN/EXPLICACIÓN
	Alerta de seguridad	Indica un peligro posible de lesiones personales.
	Lea el manual del operador	Para reducir el riesgo de lesiones, el usuario debe leer y comprender el manual del operador antes de usar este producto.
	Electrocución/ descarga eléctrica	Mantenga la descarga de agua y producto pulverizado alejada de todos los dispositivos eléctricos para reducir el riesgo de electrocución o de descarga eléctrica.
	Quemaduras químicas	Para reducir el riesgo de lesiones o daños físicos, NO USE SOLUCIONES ÁCIDAS, ALCALINAS, BLANQUEADORES, SOLVENTES, MATERIALES INFLAMABLES O DE GRADO INDUSTRIAL en este producto.
	Superficie resbalosa	Si hay conexiones mal hechas y/o pérdidas en la manguera, se puede generar un riesgo de resbalones y caídas.
	Alerta de condiciones húmedas	No exponga la unidad a la lluvia ni la use en lugares húmedos.
	Cabello largo	Si no mantiene el cabello largo lejos de la entrada de aire puede producirse lesiones.
	Hojas del ventilador	El contacto con las hojas móviles del ventilador puede provocar lesiones personales graves.
	Símbolo de reciclado	Este producto utiliza baterías de iones de litio (Li-ion). Es posible que algunas leyes municipales, estatales o federales prohíban desechar las baterías en la basura normal. Consulte a las autoridades reguladoras de desechos para obtener información en relación con las alternativas de reciclado y desecho disponibles.
V	Voltios	Voltaje
A	Amperios	Corriente
Hz	Hertz	Frecuencia (ciclos por segundo)

SÍMBOLOS

Es posible que se empleen en este producto algunos de los siguientes símbolos. Le suplicamos estudiarlos y aprender su significado. Una correcta interpretación de estos símbolos le permitirá utilizar mejor y de manera más segura el producto.

SÍMBOLO	NOMBRE	DENOMINACIÓN/EXPLICACIÓN
W	Watts	Potencia
min	Minutos	Tiempo
≡	Corriente continua	Tipo o característica de corriente
~	Corriente alterna	Tipo de corriente
⊞	Fabricación Clase II	Fabricación con doble aislamiento

CARACTERÍSTICAS

ESPECIFICACIONES DEL PRODUCTO

Motor 18 V, corr. cont.
120 V, sólo corr. alt., 60 Hz

Interruptor..... Dos velocidades

ARMADO

DESEMPAQUETADO

Este producto requiere armarse.

- Extraiga cuidadosamente de la caja la producto y los accesorios. Todos los elementos enumerados en la sección **Incluye** se deben incluir al momento de la compra.

ADVERTENCIA:

Las piezas incluidas en esta sección de *Armado* no vienen ensambladas en el producto de fábrica y requieren la instalación por parte del cliente. El uso de un producto que pueda haber sido armado de manera incorrecta podría provocar lesiones personales graves.

- Si hay piezas dañadas o faltantes, le suplicamos llamar al 1-800-525-2579, donde le brindaremos asistencia.

ADVERTENCIA:

Si falta o está dañada alguna pieza, no utilice este producto sin haber reemplazado la pieza. Usar este producto con partes dañadas o faltantes puede causar lesiones serias al operador.

ADVERTENCIA:

No intente modificar este producto ni hacer aditamentos ni accesorios no recomendados para el mismo. Cualquier alteración o modificación constituye maltrato el cual puede causar una condición peligrosa, y como consecuencia posibles lesiones corporales serias.

INSTALACIÓN DEL MANGO DE TRANSPORTE

Vea la figura 2, página 11.

- Alinee los orificios del mango de transporte con los pernos de la carcasa del ventilador.
- Coloque arandelas sobre pernos y del mango de transporte.
- Inserte las tuercas en la llave de tubo incluida y enrosque los pernos.
- Utilice la llave de tubo para ajustar las tuercas en los pernos hasta que queden seguros.

FUNCIONAMIENTO

ADVERTENCIA:

No permita que su familiarización con las herramientas lo vuelva descuidado. Tenga presente que un descuido de un instante es suficiente para causar una lesión grave.

ADVERTENCIA:

Mantenga la descarga de agua y producto pulverizado alejada de todos los dispositivos eléctricos para reducir el riesgo de electrocución o de descarga eléctrica.

ADVERTENCIA:

No utilice ningún aditamento o accesorio no recomendado por el fabricante de esta herramienta. El empleo de aditamentos o accesorios no recomendados podría causar lesiones serias.

ADVERTENCIA:

Retire siempre el paquete de baterías o cordón de extensión del producto antes de instalar las piezas, realizar ajustes, limpiarla o cuando no la utilice. Retirar el paquete de baterías o cordón de extensión evitará que la unidad se accione accidentalmente y provoque lesiones graves.

USOS

Esta herramienta puede emplearse para los fines enumerados abajo:

- La ventilación general de la mayoría de los espacios de la casa

ADVERTENCIA:

Las herramientas híbridas siempre están en condiciones de funcionamiento. Por lo tanto, siempre coloque el interruptor de corriente en la posición central, o de **APAGADO (0)**, cuando no esté usándose.

AVISO:

Este producto está diseñado para ser alimentado con un paquete de baterías RYOBI™ ONE+™ 18 V (modo CC) o mediante alimentación eléctrica (modo CA). Puede utilizarse cualquier fuente de alimentación instalando un paquete de baterías aprobado o un cable de alimentación dentro del producto, como se describe en este manual.

INSTALACIÓN/DESMONTAR DEL PAQUETE DE BATERÍAS

Veá la figura 3, página 11.

- Coloque el interruptor de velocidad en posición de **APAGADO (0)**.
- Abra la puerta del compartimiento de las baterías.
- Coloque el paquete de baterías en el producto como se muestra.
- Asegúrese de que los pestillos situados en ambos lados del paquete de baterías se deslicen completamente en su lugar y de que el paquete quede bien fijo en el producto antes de empezar a utilizarlo.
- Cierre la puerta del compartimiento de la pila.

ADVERTENCIA:

No utilice el ventilador de rociado, a menos que la tapa de la batería esté completamente cerrada. **NUNCA** permita que entre agua o líquido en el compartimiento de la batería.

- Oprima los pestillos para extraer el paquete de baterías.
NOTA: Si lo desea, la cubierta de la batería se puede bloquear instalando un candado en los orificios de la parte superior de la cubierta.

Para obtener instrucciones específicas de carga, lea el manual del operador que se incluye con el cargador y la batería.

NOTA: El paquete de la batería se debe recargar después de aproximadamente 5 horas del uso para reducir la posibilidad de dañarlo. La descarga profunda repetida de la batería puede disminuir la vida de la capacidad de almacenaje y de la batería.

INSTALACIÓN/DESMONTAR DEL CABLE DE ALIMENTACIÓN (NO INCLUIDA)

Veá la figura 4, página 12.

NOTA: Use un cable con clasificación GFCI.

- Coloque el interruptor de velocidad en posición de **APAGADO (0)**.
- Inserte el extremo hembra del cable de alimentación dentro del producto como se muestra.
- Conecte el extremo macho del cable de alimentación a la fuente de alimentación.
- Asegúrese de que el cable de alimentación esté asegurado antes de comenzar con el funcionamiento.

FUNCIONAMIENTO

INTERRUPTOR DE BAJA/APAGADO/ALTA DE VENTILADOR

Vea la figura 5, página 12.

El interruptor de **BAJA/APAGADO/ALTA** de la ventilador está ubicado en la parte delantera central de la base.

- Para seleccionar la ventilador **BAJA**, presione (I).
- Para seleccionar la ventilador **ALTA**, presione (II).
- Para **APAGAR** el ventilador, seleccione la posición central (O).

CÓMO COLGAR EL VENTILADOR PORTÁTIL CON EL SOPORTE DE MONTAJE

Vea la figura 6, página 12.

NOTA: Tenga cuidado de no colgar el ventilador de una manera que evite el funcionamiento normal del ventilador o que dañe el cable.

- Para montar el ventilador, use un tornillo de 6 mm como mínimo.
- Asegúrese de que el tornillo quede bien sujetado en el montante y que no quede expuesto más de 15,9 mm (5/8 pulg.).
- Deslice el soporte de montaje, ubicado en la estructura transversal del marco, en el tornillo. Asegúrese de que el ventilador quede colocado de forma segura.

CABEZA AJUSTABLE

Vea la figura 6, página 12.

Para cambiar el ángulo del cabezal del ventilador, afloje la perilla de ajuste a cada lado del cabezal del ventilador. Seleccione la posición deseada y ajuste las perillas para fijar la unidad.

AVISO:

Si ajusta el cabezal del ventilador sin aflojar las perillas de ajuste, podría dañar el ventilador.

AJUSTE DEL ÁNGULO DE ROCIADO

Vea la figura 7, página 13.

El ángulo del ventilador puede ajustarse hacia adelante -15° o hacia atrás 45° para ajustar la dirección del rocío.

USO DEL VENTILADOR ROCIADOR CON UNA MANGUERA DE JARDÍN (NO SE INCLUYE)

Vea la figura 8, página 13.

ADVERTENCIA:

Siempre coloque las mangueras lejos de las áreas de tráfico para evitar riesgos de caídas.

- Seleccione una superficie plana y uniforme, como un patio de concreto o mesa de trabajo.
- Establezca el interruptor de ventilador en la posición de **APAGADO (O)**.
- Con el grifo de agua completamente apagado, conecte una manguera de jardín (no suministrada) de manera segura al manguera de jardín de conector y ajuste a mano.
- Instale el paquete de baterías y cierre el compartimiento de la batería.
- Encienda el grifo de la manguera de jardín completamente y permita que la manguera se llene de agua.
- Gire la válvula de control de agua del conector de la manguera de jardín a la posición ENCENDIDO.
- Presione el interruptor del ventilador a la posición **BAJA (I)** o **ALTA (II)**.

Para mover el ventilador a otra ubicación:

- Establezca interruptor de ventilador en la posición de **APAGADO (O)**.

NOTA: No se puede extraer el tubo de entrada.

USO DEL VENTILADOR SIN ROCIADOR

Si lo desea, puede utilizar este producto solo como ventilador, cuando no está conectado a una fuente de agua. Desconecte siempre la manguera de jardín y coloque el tubo rociador en su área de almacenamiento.

MANTENIMIENTO

ADVERTENCIA:

Al dar servicio a la unidad, sólo utilice piezas de repuesto idénticas. El empleo de piezas diferentes podría causar un peligro o dañar el producto.

MANTENIMIENTO GENERAL

Evite el empleo de solventes al limpiar piezas de plástico. La mayoría de los plásticos son susceptibles a diferentes tipos de solventes comerciales y pueden resultar dañados. Utilice paños limpios para eliminar la suciedad, el polvo, el aceite, la grasa, etc.

ADVERTENCIA:

Con el paquete de baterías completamente extraído del ventilador rociador, siempre limpie y seque totalmente todas las piezas del ventilador rociador, el tubo de entrada y los cubos cuando no estén en uso para evitar la posible formación de bacterias o mohos. El rocío que contiene bacterias o mohos puede provocar lesiones personales graves o enfermedades.

MANTENIMIENTO DE LA BOQUILLA

Vea la figura 9, página 13.

ADVERTENCIA:

Asegúrese de que todo el mantenimiento de las boquillas se realice correctamente para evitar fugas. Las fugas pueden generar una superficie resbaladiza y crear un riesgo de resbalones y caídas y daños a la propiedad.

Los patrones de rociado irregulares o fugas pueden deberse a una boquilla atascada o sucia.

Para limpiar las boquillas:

- Asegúrese de que el interruptor de encendido y el interruptor de la bomba estén en la posición de **APAGADO (O)**.
- Retire el paquete de baterías.
- Retire las boquillas de latón de cada lado del ventilador.
- Sumerja las boquillas en un limpiador de boquillas (no incluido) para desprender los materiales extraños que atascan o restringen la boquilla.
- Con una manguera de jardín, enjuague los residuos de la boquilla mediante la limpieza a contracorriente (haciendo correr el agua a través de la boquilla en dirección inversa o desde el exterior hacia el interior).
- Vuelva a conectar las boquillas.

CORRECCIÓN DE PROBLEMAS

PROBLEMA	CAUSA	SOLUCIÓN
Pérdida en la boquilla o el orificio roscado	Las boquillas no se instalaron correctamente. Las boquillas están obstruidas o sucias.	Vuelva las boquillas y ajuste firmemente. Limpie las boquillas.
Ventilador no arranca	La batería tiene poca carga o está descargada.	Cargue la batería.

PCL850

- A - Adjustment knob (bouton de réglage, perilla de ajuste)
- B - 2-speed switch (interrupteur à 2 vitesses, interruptor de 2 velocidades)
- C - AC Receptacle (prise, receptáculo)
- D - Battery port (logements de bloc-piles, puertos de baterías)
- E - Carry handle (poignée de transport, mango de transporte)
- F - Garden hose connector (raccord du boyau d'arrosage, conector de la manguera de jardín)
- G - Misting nozzles (buses de vaporisation, boquilla para rociar)
- H - Socket wrench (clé à douille, llave de tubo)

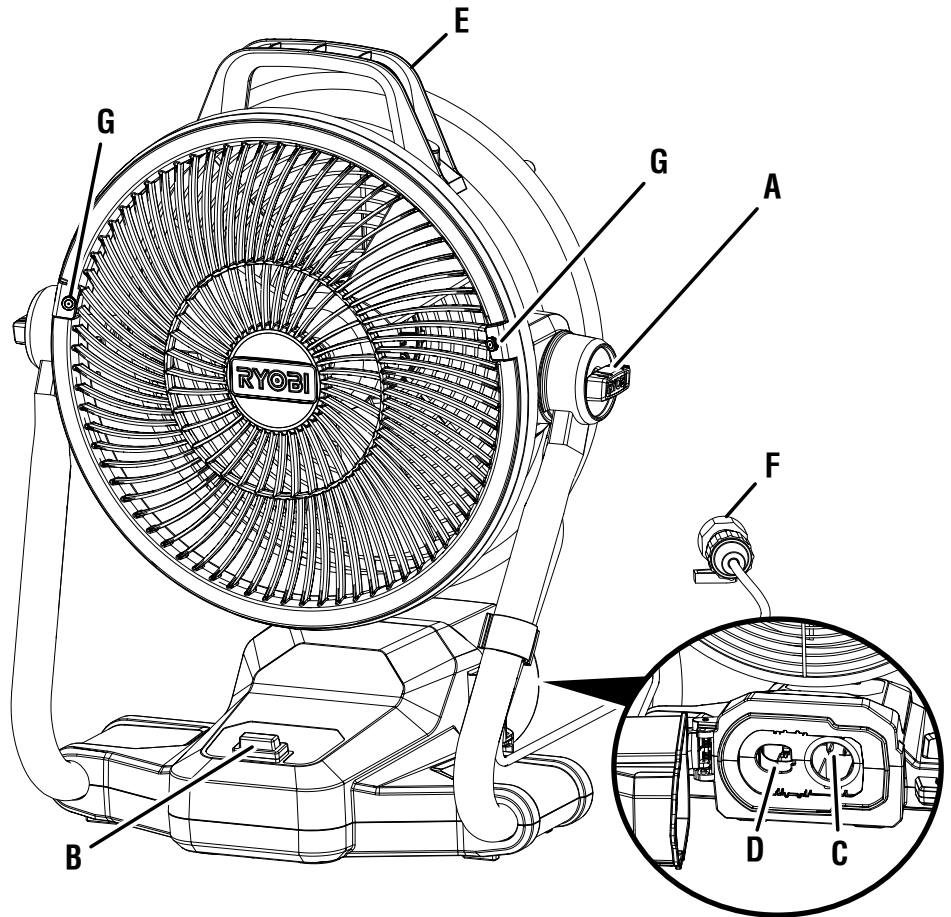
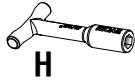
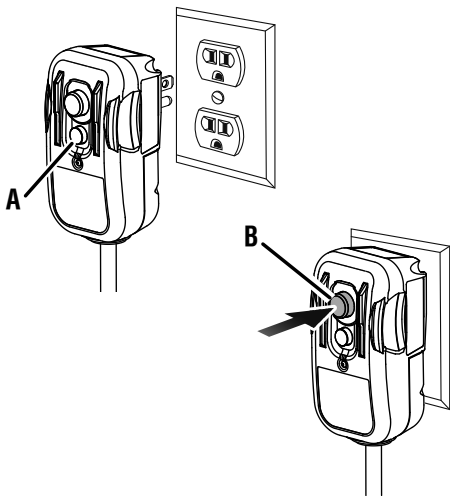
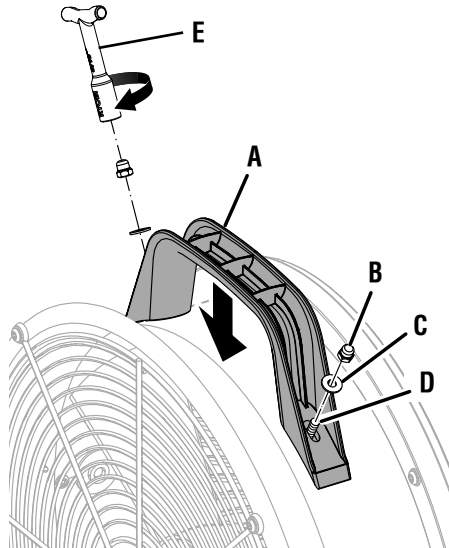


Fig. 1



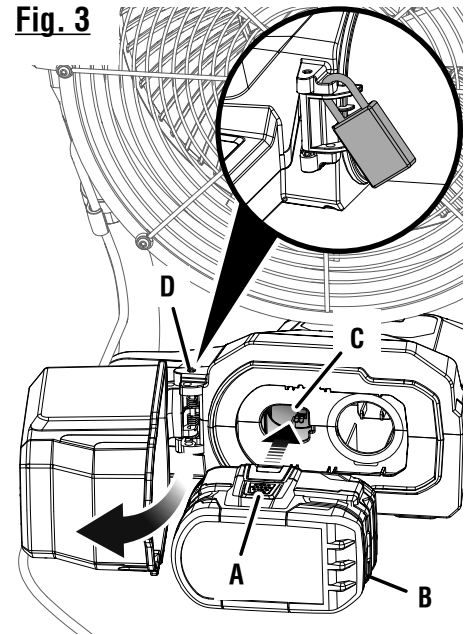
- A - Test button (bouton de test, botón de prueba)
- B - Reset button (bouton de réinitialisation, botón de reajuste)

Fig. 2



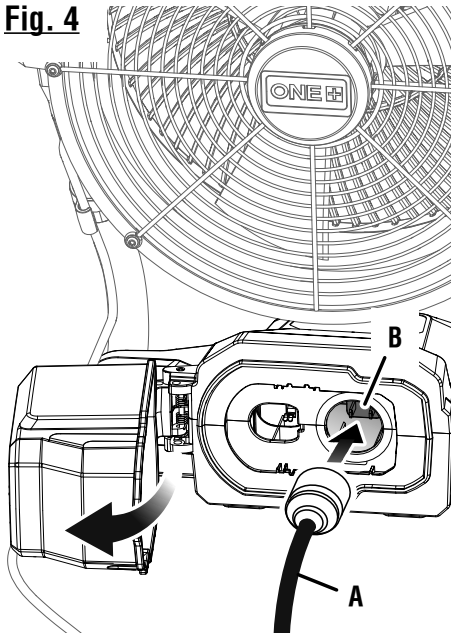
- A - Carry handle (poignée de transport, mango de transporte)
- B - Bolt (boulon, perno)
- C - Washer (rondelle, arandela)
- D - Nut (écrou, tuerca)
- E - Socket wrench (clé à douille, llave de tubo)

Fig. 3



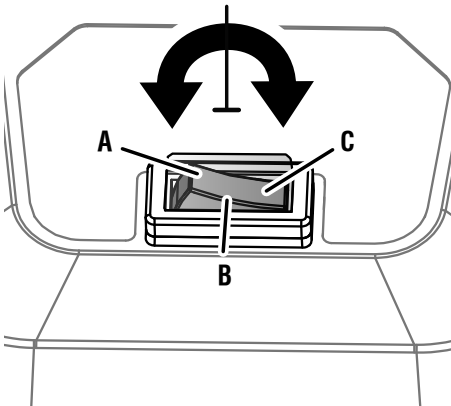
- A - Latches (loquets, pestillos)
- B - Battery pack (bloc-piles, baterías)
- C - Battery port (logements de bloc-piles, puertos de baterías)
- D - Padlock hole (padlock not included) [trou de chaînes (cadenas non inclus), orificio de candado (candado no incluido)]

Fig. 4



A - Power cord (cordon d'alimentation, cordón de corriente)
B - AC Receptacle (prise, receptáculo)

Fig. 5



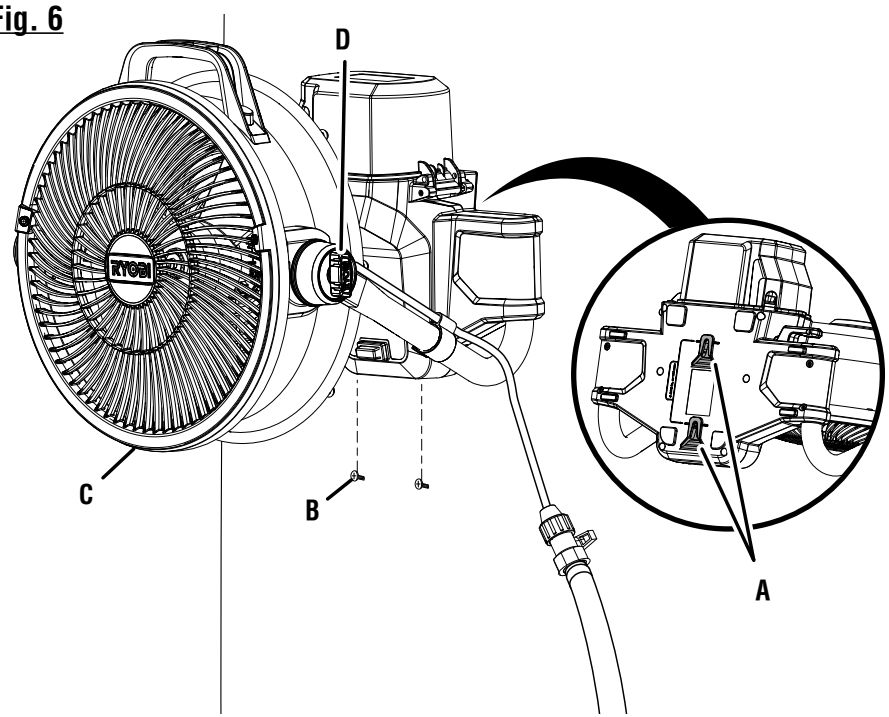
**FAN LOW/OFF/HIGH SWITCH
(COMMUTATEUR DE BASSE/ARRÊT/
ÉLEVÉE DE VENTILATEUR, INTERRUPTOR
DE BAJO/ APAGADO/ALTO/ DE
VENTILADOR)**

A - LOW speed (I) [basse vitesse (I),
velocidad baja (I)]

B - OFF (O) [arrêt (O), apagado (O)]

C - HIGH speed (II) [élevée vitesse (II),
velocidad alto (II)]

Fig. 6



A - Keyhole mount (montage à trou de serrure, soporte de montaje)
B - Screw (vis, tornillo)
C - Adjustable head (tête de réglage, cabeza ajuste)
D - Adjustment knob (bouton de réglage, perilla de ajuste)

Fig. 7

ADJUST FROM -15° TO 45°
AJUSTER DE -15° À 45°
AJUSTE DE -15° A 45°

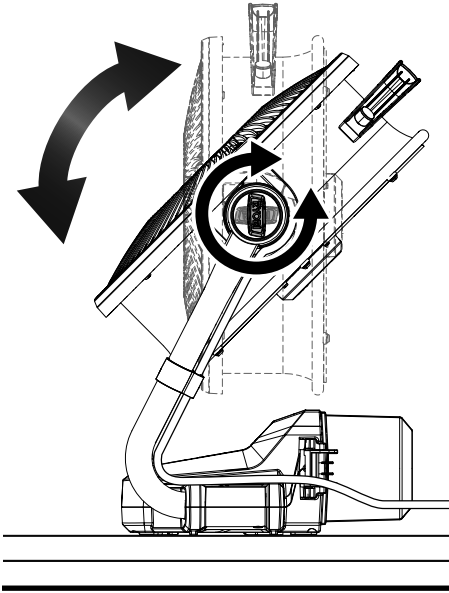
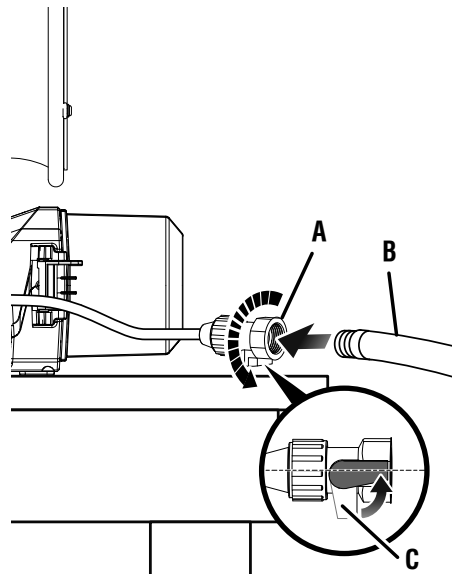
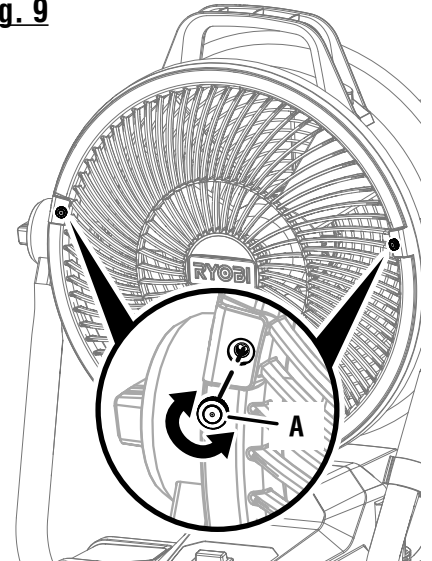


Fig. 8



- A - Garden hose connector (raccord du boyau d'arrosage, conector de la manguera de jardín)
- B - Garden hose (tuyau d'arrosage, manguera de jardín)
- C - Water control valve (valve de contrôle de l'eau, válvula de control de agua)

Fig. 9



- A - Brass nozzle (buse en laiton, boquilla de latón)



OPERATOR'S MANUAL/12 in., 18 VOLT HYBRID MISTING AIR CANNON
MANUEL D'UTILISATION/HYBRIDE 18 V DE 304,8 mm (12 po)
CANON À AIR DE BRUMISATION
MANUAL DEL OPERADOR/VENTILADOR DE ROCIADO HÍBRIDO
DE 18 V Y 304,8 mm (12 pulg.)

PCL850

To request service, purchase replacement parts,
locate an Authorized Service Center or obtain Customer or Technical Support:
Visit www.ryobitools.com or call **1-800-525-2579**

If any parts or accessories are damaged or missing, do not return this product to the store.
Call **1-800-525-2579** for immediate service.

Please obtain your model and serial number from the product data plate.
This product is covered under a 3-year limited Warranty. Proof of purchase is required.

MODEL NUMBER* _____ SERIAL NUMBER _____

**Model number on product may have additional letters at the end. These letters designate manufacturing information and should be provided when calling for service.*

RYOBI is a trademark of Ryobi Limited and is used pursuant to a license granted by Ryobi Limited.

Pour faire une demande de réparations ou obtenir des pièces de rechange, trouver un
Centre de réparations agréé pour obtenir un soutien technique ou le Service à la clientèle :
Visiter www.ryobitools.com ou en téléphonant au **1-800-525-2579**

Si des pièces ou accessoires sont manquantes ou endommagées, ne pas retourner
ce produit au magasin. Appeler immédiatement au **1-800-525-2579** pour obtenir de l'aide.

Inscrire les numéros de modèle et de série inscrits sur la plaque d'identification du produit.
Ce produit est couvert par une garantie limitée de trois (3) ans. Une preuve d'achat est exigée.

NUMÉRO DE MODÈLE* _____ NUMÉRO DE SÉRIE _____

**Le numéro de modèle sur le produit peut contenir des lettres supplémentaires à la fin. Ces lettres désignent les informations du fabricant et doivent être fournies lors d'un appel de demande de service.*

RYOBI est une marque de Ryobi Limited et est utilisée en vertu d'une licence accordée par Ryobi Limited.

Para obtener servicio, comprar piezas de repuesto, localizar un centro
de servicio autorizado y obtener Servicio o Asistencia Técnica al Consumidor:
Visite www.ryobitools.com o llame al **1-800-525-2579**

Si hay alguna pieza ou accesorios dañada o faltante, no devuelva este producto a la tienda.
Llame al **1-800-525-2579** para servicio técnico inmediato.

Obtenga su modelo y número de serie de la placa de datos del producto.
Este producto está cubierto con una garantía limitada de 3 años. Se solicita prueba de la compra.

NÚMERO DE MODELO* _____ NÚMERO DE SERIE _____

**El número de modelo que figura en el producto podría tener letras adicionales al final. Estas designan información de fabricación y deben suministrarse cuando llame para obtener asistencia o servicio.*

RYOBI es una marca de Ryobi Limited y se utiliza conforme a una licencia otorgada por Ryobi Limited.

TTI CONSUMER POWER TOOLS, INC.

P.O. Box 1288, Anderson, SC 29622 • Phone 1-800-525-2579
États-Unis, Téléphone 1-800-525-2579 • USA, Teléfono 1-800-525-2579

www.ryobitools.com