



**REGISTER YOUR TOOLS**  
 @ <http://register.ryobitools.com>  
 1-800-525-2579

**EN MEXICO:**  
 PARA MÁS INFORMACIÓN  
**WWW.RYOBITOLS.MX**  
 CENTROS DE SERVICI  
 800-843-1111



# OPERATOR'S MANUAL

MANUEL D'UTILISATION  
 MANUAL DEL OPERADOR

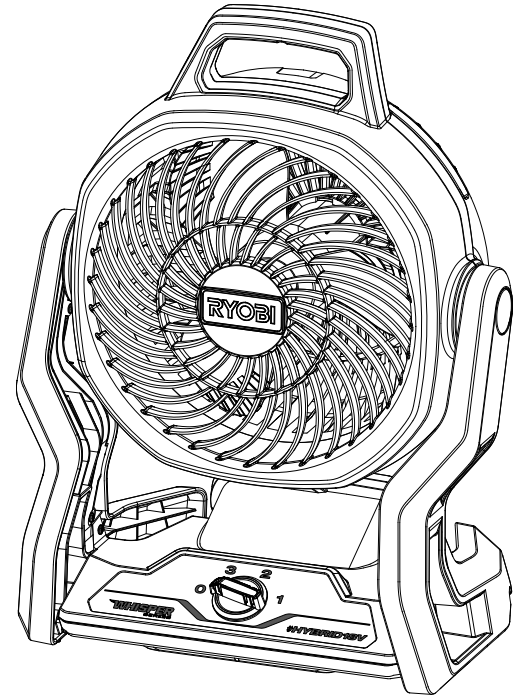
## 18 VOLT HYBRID FAN

VENTILATEUR HYBRIDE DE 18 V  
 VENTILADOR DE HÍBRIDA DE 18 V

### PCL811

EXTENSION CORDS NOT INCLUDED  
 CORDON PROLONGATEURS PAS INCLUS  
 CORDÓN DE EXTENSIÓN NO VIENEN INCLUIDAS

FOR INDOOR USE  
 POUR UTILISATION À L'INTÉRIEUR  
 PARA USARSE EN EL INTERIOR



#### TABLE OF CONTENTS

\*\*\*\*\*

- Important Safety Instructions .....2-3
- Fan Safety Warnings ..... 3
- Electrical..... 4
- Symbols..... 5
- Features..... 6
- Assembly..... 6
- Operation.....6-7
- Maintenance..... 7
- Illustrations ..... 8
- Parts Ordering / Service..... Back Page

#### TABLE DES MATIÈRES

\*\*\*\*\*

- Instructions importantes  
concernant la sécurité .....2-3
- Avertissements de sécurité relatifs  
ventilateur ..... 3
- Caractéristiques électriques..... 4
- Symboles..... 5
- Caractéristiques ..... 6
- Assemblage..... 6
- Utilisation.....6-7
- Entretien ..... 7
- Illustrations ..... 8
- Commande de pièces /  
réparation.....Page arrière

#### ÍNDICE DE CONTENIDO

\*\*\*\*\*

- Instrucciones de seguridad  
importantes .....2-3
- Advertencias de seguridad para  
ventilador ..... 3
- Aspectos eléctricos..... 4
- Símbolos ..... 5
- Características ..... 6
- Armado..... 6
- Funcionamiento.....6-7
- Mantenimiento..... 7
- Ilustraciones ..... 8
- Pedidos de piezas /  
servicio..... Pág. posterior

**⚠ WARNING:** To reduce the risk of injury, the user must read and understand the operator's manual before using this product.

**⚠ AVERTISSEMENT :** Pour réduire les risques de blessures, l'utilisateur doit lire et veiller à bien comprendre le manuel d'utilisation avant d'employer ce produit.

**⚠ ADVERTENCIA:** Para reducir el riesgo de lesiones, el usuario debe leer y comprender el manual del operador antes de usar este producto.

**SAVE THIS MANUAL FOR FUTURE REFERENCE**

**CONSERVER CE MANUEL POUR FUTURE RÉFÉRENCE**

**GUARDE ESTE MANUAL PARA FUTURAS CONSULTAS**

# IMPORTANT SAFETY INSTRUCTIONS



## WARNING!

**READ AND SAVE THESE INSTRUCTIONS.** Failure to follow all instructions listed below, may result in electric shock, fire and/or serious personal injury.

## SAVE THESE INSTRUCTIONS

### WORK AREA

- **Keep your work area clean and well lit.** Cluttered benches and dark areas invite accidents.
- **Do not operate fans in explosive atmospheres, such as in the presence of flammable liquids, gases, or dust.** Fans create sparks which may ignite the dust or fumes.

### ELECTRICAL SAFETY

- **A battery operated fan with integral batteries or a separate battery pack must be recharged only with the specified charger for the battery.** A charger that may be suitable for one type of battery may create a risk of fire when used with another battery.
- **Use battery operated fan only with specifically designated battery pack.** Use of any other batteries may create a risk of fire.
- **Use this product only with batteries and chargers listed in tool/appliance/battery pack/charger correlation supplement 987000-432.**
- **Do not defeat the safety purpose of the polarized or grounding-type plug.** A polarized plug has two blades with one wider than the other. A grounding type plug has two blades and a third grounding prong. The wide blade or the third prong are provided for your safety. If the provided plug does not fit into your outlet, consult an electrician for replacement of the obsolete outlet.
- **Protect the power cord from being walked on or pinched particularly at plugs, convenience receptacles, and the point where they exit from the product.**
- **Unplug this product during lightning storms or when not in use.**

### PERSONAL SAFETY

- **Dress properly. Do not wear loose clothing or jewelry. Contain long hair. Keep your hair, clothing, and gloves away from moving parts.** Loose clothes, jewelry, or long hair can be caught in moving parts.
- **Avoid accidental starting. Be sure switch is in the locked or off position before inserting battery pack or extension cord.** Carrying fans with your finger on the switch or inserting the battery pack or extension cord into a fan with the switch on invites accidents.
- **Do not overreach. Keep proper footing and balance at all times.** Proper footing and balance enable better control of the fan in unexpected situations.
- **Do not use on a ladder or unstable support.** Stable footing on a solid surface enables better control of the fan in unexpected situations.

### FAN USE AND CARE

- **Do not use fan if switch does not turn it on or off.** A fan that cannot be controlled with the switch is dangerous and must be repaired.
- **Disconnect battery pack or extension cord from fan or place the switch in the locked or off position before making any adjustments, changing accessories, or storing the fan.** Such preventive safety measures reduce the risk of starting the fan accidentally.
- **When battery pack is not in use, keep it away from other metal objects like: paper clips, coins, keys, nails, screws, or other small metal objects that can make a connection from one terminal to another.** Shorting the battery terminals together may cause sparks, burns, or a fire.
- **Keep the fan and its handle dry, clean and free from oil and grease.** Always use a clean cloth when cleaning. Never use brake fluids, gasoline, petroleum-based products, or any strong solvents to clean your fan. Following this rule will reduce the risk of loss of control and deterioration of the enclosure plastic.

# IMPORTANT SAFETY INSTRUCTIONS

- To reduce the risk of electric shock, do not use this fan near water, especially when it is powered by the power cord.
- Clean only with dry cloth.
- Do not operate near any heat sources such as radiators, heat registers, stoves, or other apparatus (including amplifiers) that produce heat.

## SERVICE

- Fan service must be performed only by qualified repair personnel. Service or maintenance performed by unqualified personnel may result in a risk of injury.
- When servicing a fan, use only identical replacement parts. Follow instructions in the Maintenance section of this manual. Use of unauthorized parts or failure to follow Maintenance Instructions may create a risk of shock or injury.

# FAN SAFETY WARNINGS

- Know your fan. Read operator's manual carefully. Learn its applications and limitations, as well as the specific potential hazards related to this fan. Following this rule will reduce the risk of electric shock, fire, or serious injury.
- Battery tools do not have to be plugged into an electrical outlet; therefore, they are always in operating condition. Be aware of possible hazards when not using your battery tool or when changing accessories. Following this rule will reduce the risk of electric shock, fire, or serious personal injury.
- Do not place fans or their batteries near fire or heat. This will reduce the risk of explosion and possibly injury.
- Do not crush, drop or damage battery pack. Do not use a battery pack or charger that has been dropped or received a sharp blow. A damaged battery is subject to explosion. Properly dispose of a dropped or damaged battery immediately.
- Batteries can explode in the presence of a source of ignition, such as a pilot light. To reduce the risk of serious personal injury, never use any cordless product in the presence of open flame. An exploded battery can propel debris and chemicals. If exposed, flush with water immediately.
- Under extreme usage or temperature conditions, battery leakage may occur. If liquid comes in contact with your skin, wash immediately with soap and water, then neutralize with lemon juice or vinegar. If liquid gets into your eyes, flush them with clean water for at least 10 minutes, then seek immediate medical attention. Following this rule will reduce the risk of serious personal injury.
- Do not incinerate the battery even if it is severely damaged. The batteries can explode in a fire.
- To reduce the risk of fire or electric shock, do not use this fan with any solid-state speed control device.
- Not for use in kitchens.
- For general ventilating use only. Do not use to exhaust hazardous or explosive materials and vapors.
- **WARNING:** To reduce the risk of personal injury and electric shock, the fan should not be played with or placed where small children can reach it.
- To reduce the risk of electric shock, do not expose to water or rain.
- Save these instructions. Refer to them frequently and use them to instruct others who may use this tool. If you loan someone this tool, loan them these instructions also to prevent misuse of the product and possible injury.

# ELECTRICAL

## DOUBLE INSULATION

Double insulation is a concept in safety in electric products, which eliminates the need for the usual three-wire grounded power cord. All exposed metal parts are isolated from the internal metal motor components with protecting insulation. Double insulated products do not need to be grounded.

### **WARNING:**

The double insulated system is intended to protect the user from shock resulting from a break in the product's internal wiring. Observe all normal safety precautions to avoid electrical shock.

**NOTE:** Servicing of a product with double insulation requires extreme care and knowledge of the system and should be performed only by a qualified service technician. For service, we suggest you return the product to your nearest authorized service center for repair. Always use original factory replacement parts when servicing.

## ELECTRICAL CONNECTION

This is a hybrid product capable of operating on alternating current (AC) through an extension cord or direct current (DC) through a battery pack. If the product does not operate when an extension cord or battery pack is installed, double-check the power supply.

- To use alternating current, connect the product to a **power supply that is 120 volts, AC only (normal household current), 60 Hz.**
- To use direct current, install a **manufacturer-recommended 18 volt battery pack only.**

**NOTE:** Do not operate this product on direct current through an extension cord. Doing so would cause a substantial voltage drop, which will cause a loss of power and could cause the product to overheat.

## EXTENSION CORDS

When using a product at a considerable distance from a power source, be sure to use an extension cord that has the capacity to handle the current the product will draw. An undersized cord will cause a drop in line voltage, resulting in overheating and loss of power. Use the chart to determine the minimum wire size required in an extension cord. Only round jacketed cords listed by Underwriter's Laboratories (UL) should be used.

Before using any extension cord, inspect it for loose or exposed wires and cut or worn insulation.

\*\*Ampere rating (on product data plate)

Cord Length	Wire Size (A.W.G.)					
	0-2.0	2.1-3.4	3.5-5.0	5.1-7.0	7.1-12.0	12.1-16.0
25'	16	16	16	16	14	14
50'	16	16	16	14	14	12
100'	16	16	14	12	10	—

\*\*Used on 12 gauge - 20 amp circuit

**NOTE:** AWG = American Wire Gauge

### **WARNING:**




Keep the extension cord clear of the working area. Position the cord so that it will not get caught on lumber, tools, or other obstructions while you are working with this product. Failure to do so can result in serious personal injury.

### **WARNING:**








Check extension cords before each use. If damaged replace immediately. Never use a product with a damaged cord since touching the damaged area could cause electrical shock resulting in serious injury.

# SYMBOLS

The following signal words and meanings are intended to explain the levels of risk associated with this product.

SYMBOL	SIGNAL	MEANING
	<b>DANGER:</b>	Indicates a hazardous situation, which, if not avoided, will result in death or serious injury.
	<b>WARNING:</b>	Indicates a hazardous situation, which, if not avoided, could result in death or serious injury.
	<b>CAUTION:</b>	Indicates a hazardous situation, that, if not avoided, may result in minor or moderate injury.
	<b>NOTICE:</b>	(Without Safety Alert Symbol) Indicates information considered important, but not related to a potential injury (e.g. messages relating to property damage).

Some of the following symbols may be used on this product. Please study them and learn their meaning. Proper interpretation of these symbols will allow you to operate the product better and safer.

SYMBOL	NAME	DESIGNATION/EXPLANATION
	Safety Alert	Indicates a potential personal injury hazard.
	Read Operator's Manual	To reduce the risk of injury, user must read and understand operator's manual before using this product.
	Wet Conditions Alert	Do not expose to rain or use in damp locations.
	Recycle Symbol	This product uses lithium-ion (Li-ion) batteries. Local, state or federal laws may prohibit disposal of batteries in ordinary trash. Consult your local waste authority for information regarding available recycling and/or disposal options.
V	Volts	Voltage
A	Amperes	Current
Hz	Hertz	Frequency (cycles per second)
W	Watt	Power
min	Minutes	Time
	Direct Current	Type or a characteristic of current
	Alternating Current	Type of current
	Class II Tool	Double-insulated construction

# FEATURES

## PRODUCT SPECIFICATIONS

Motor..... 18 Volt DC  
120 V, AC only, 60 Hz

Switch..... 3-Speed

# ASSEMBLY

### **WARNING:**

Do not use this product if it is not completely assembled or if any parts appear to be missing or damaged. Use of a product that is not properly and completely assembled or with damaged or missing parts could result in serious personal injury.

### **WARNING:**

Do not attempt to modify this product or create accessories or attachments not recommended for use with this product. Any such alteration or modification is misuse and could result in a hazardous condition leading to possible serious personal injury.

If any parts are damaged or missing, please call 1-800-525-2579 for assistance.

# OPERATION

### **WARNING:**

Do not allow familiarity with tools to make you careless. Remember that a careless fraction of a second is sufficient to inflict serious injury.

### **WARNING:**

Do not use any attachments or accessories not recommended by the manufacturer of this tool. The use of attachments or accessories not recommended can result in serious personal injury.

## APPLICATIONS

You may use this tool for the purpose listed below:

- General ventilation of most household spaces

### **NOTICE:**

This product is designed to be powered by either a Ryobi™ One+™ 18V battery pack (DC mode) or by electric power (AC mode). Either power source can be used by installing an approved battery pack or power cord into the product as described in this manual.

## INSTALLING/REMOVING BATTERY PACK

See Figure 1, page 8.

- Place the switch in the **OFF (0)** position.
- Insert the battery pack into the product as shown.
- Make sure the latches on each side of the battery pack snap into place and the battery pack is secured before beginning operation.
- Depress the latches to remove the battery pack.

For complete charging instructions, see the operator's manuals for your battery pack and charger.

### **WARNING:**

Always remove battery pack or unplug extension cord from your product when you are assembling parts, making adjustments, cleaning, or when not in use. Removing battery pack or unplugging extension cord will prevent accidental starting that could cause serious personal injury.

# OPERATION

## INSTALLING/REMOVING POWER CORD

See Figure 2, page 8.

- Place the switch in the **OFF (0)** position.
- Insert the female end of the power cord into the product as shown.
- Route the power cord through the mounting hook.
- Connect the male end of the power cord to the power source.
- Make sure the power cord is secured before beginning operation.

## STARTING/STOPPING THE FAN

See Figure 3, page 8.

- Connect the fan to an AC or DC power supply.
- To start the fan, turn the switch clockwise and select the desired speed.
- The switch has four settings:
  - 0 - Off
  - 3 - High
  - 2 - Medium
  - 1 - Low
- To stop the fan, turn the switch counterclockwise to the **OFF (0)** position.

### **WARNING:**

Hybrid tools are always in operating condition. Therefore, switch should always be in the **OFF (0)** position, when not in use.

## HANGING/MOUNTING FAN

See Figures 4 - 5, page 9.

Your fan has a variety of hanging options. Choose the option that is best suited for your location.

**NOTE:** The fan can be hung in a vertical or horizontal position. Be careful not to hang the fan in such a way that it prevents normal fan operation or damages the cord.

### **Mounting the fan using the key hole:**

- Remove the battery or power cord.
- Use two #8 pan head screws with a minimum length of 1-1/4 in. for mounting the fan.
- Ensure that the screws are securely fastened into a stud and that the screws are exposed no more than 1/2 in.
- Install the screws into the wall so that the center distance is 2 in.
- Slide the fan's base over the screws until the screws are aligned with the key holes. Insert the screws into the keyholes and slide the fan base down to secure the fan into place.

**NOTE:** Be careful not to hang the fan in such a way that it prevents normal fan operation.

- Insert the battery or power cord.

### **Hanging the fan using the mounting hooks:**

- The fan can be mounted to a chain link fence using the mounting hooks on the base of the fan.

## ADJUSTABLE HEAD

See Figure 6, page 9.

The fan head can be rotated up to 160 degrees. To switch head positions, adjust head to desired position.

# MAINTENANCE

### **WARNING:**

When servicing, use only identical replacement parts. Use of any other part could create a hazard or cause product damage.

## GENERAL MAINTENANCE

Avoid using solvents when cleaning plastic parts. Most plastics are susceptible to damage from various types of commercial solvents and can be damaged by their use. Use clean cloths to remove dirt, dust, oil, grease, etc.

**NOTE: ILLUSTRATIONS START ON PAGE 8  
AFTER FRENCH AND SPANISH LANGUAGE SECTIONS.**

# INSTRUCTIONS IMPORTANTES CONCERNANT LA SÉCURITÉ



## AVERTISSEMENT !

**LIRE ET CONSERVER CES INSTRUCTIONS.** Le non respect de toutes les instructions ci-dessous peut entraîner un choc électrique, un incendie et / ou des blessures graves.

## CONSERVER CES INSTRUCTIONS LIEU DE TRAVAIL

- **Garder le lieu de travail propre et bien éclairé.** Les établis encombrés et les endroits sombres sont propices aux accidents.
- **Ne pas utiliser d' ventilateurs électriques dans des atmosphères explosives, par exemple en présence de liquides, gaz ou poussières inflammables.** Les ventilateurs électriques produisent des étincelles risquant d'enflammer les poussières ou vapeurs.

## SÉCURITÉ ÉLECTRIQUE

- **Les piles des ventilateurs électriques, qu'elles soient intégrées ou amovibles, ne doivent être rechargées qu'avec l'appareil spécifié.** Un chargeur approprié pour un type de pile peut créer un risque d'incendie s'il est utilisé avec un autre type de pile.
- **Utiliser exclusivement le blocs-piles spécifiquement indiqué pour le ventilateur.** L'usage de tout autre bloc peut créer un risque d'incendie.
- **Utiliser ce produit seulement avec la piles et le chargeurs indiqués dans le supplément de raccordement pour chargeur/outils/piles/appareil n° 987000-432.**
- **Ne pas neutraliser la fonction de sécurité de la fiche polarisée ou du type mise à la terre.** Une fiche polarisée a deux lames, dont l'une est plus large que l'autre. Une fiche du type mise à la terre a elle aussi deux lames, en plus d'une broche de mise à la terre. La lame la plus large et la broche ont pour but d'assurer la sécurité. Si la fiche fournie ne se branche pas dans la prise, demander à un électricien de remplacer la prise désuète.
- **Protéger le cordon d'alimentation pour que personne ne marche dessus ou ne le pince, en particulier au niveau des fiches, des prises de courant et des points où il sort de l'appareil.**
- **Débrancher cet appareil pendant les orages électriques ou lorsque l'outil n'est pas utilisé.**

## SÉCURITÉ PERSONNELLE

- **Porter une tenue appropriée. Ne porter ni vêtements amples, ni bijoux. Attacher ou couvrir les cheveux longs. Garder les cheveux, les vêtements et les gants à l'écart des pièces en mouvement.** Les vêtements amples, bijoux et cheveux longs peuvent se prendre dans les pièces en mouvement.
- **Éviter les démarrages accidentels. S'assurer que la gâchette est verrouillée en position d'arrêt avant d'insérer le blocs-piles o cordon prolongateur.** Le transport du ventilateur avec le doigt sur le commutateur ou l'insertion du blocs-piles o cordon prolongateur avec le commutateur en position de marche est une invite aux accidents.
- **Ne pas travailler hors de portée. Toujours se tenir bien campé et en équilibre.** Une bonne tenue et un bon équilibre permettent de mieux contrôler le ventilateur en cas de situation imprévue.
- **Ne pas utiliser le ventilateur sur une échelle ou un support instable.** Une bonne tenue et un bon équilibre permettent de mieux contrôler le ventilateur en cas de situation imprévue.

## UTILISATION ET ENTRETIEN DE L'VENTILATEUR

- **Ne pas utiliser le ventilateur si le commutateur ne permet pas de le mettre en marche ou de l'arrêter.** Un ventilateur qui ne peut pas être contrôlé par son commutateur est dangereux et doit être réparé.
- **Déconnecter le blocs-piles o cordon prolongateur et mettre le commutateur en position d'arrêt ou de verrouillage avant d'effectuer des réglages, de changer d'accessoire ou de remiser le ventilateur.** Ces mesures de sécurité réduisent les risques de démarrage accidentel du ventilateur.
- **Lorsque le blocs-piles n'est pas en usage, le tenir à l'écart d'articles métalliques tels que : les attaches trombones, pièces de monnaie, clous, vis et autres petits objets métalliques risquant d'établir le contact entre les deux bornes.** La mise en court-circuit des bornes de piles peut causer des étincelles, des brûlures ou un incendie.
- **Garder le ventilateur et sa poignée secs, propres et exempts d'huile ou de graisse.** Toujours utiliser un chiffon propre pour le nettoyage. Ne jamais utiliser de liquide de freins, d'essence, de produits à base de pétrole ou de solvants forts pour nettoyer l' ventilateur. Le respect de ces règles réduira les risques de perte de contrôle et d'endommagement du boîtier en plastique.



# INSTRUCTIONS IMPORTANTES CONCERNANT LA SÉCURITÉ

- Pour réduire le risque de décharge électrique, ne pas utiliser le ventilateur près de l'eau surtout s'il est alimenté par le cordon d'alimentation.
- Ne nettoyer l'appareil qu'avec un chiffon sec.
- Ne pas installer l'appareil près de sources de chaleur telles que radiateurs, bouches de chaleurs, poêles ni d'autres appareils (y compris les amplificateurs) qui produisent de la chaleur.

## DÉPANNAGE

- Le dépannage des ventilateurs doit être confié exclusivement à un personnel qualifié. Les réparations ou entretiens effectués par des personnes non qualifiées présentent des risques de blessures.
- Utiliser exclusivement des pièces identiques à celles d'origine pour les réparations. Se conformer aux instructions de la section Entretien de ce manuel. L'usage de pièces non autorisées ou le non-respect des instructions peut présenter des risques de choc électrique ou de blessures.

## AVERTISSEMENTS DE SÉCURITÉ RELATIFS VENTILATEUR

- Apprendre à connaître le ventilateur. Lire attentivement le manuel d'utilisation. Apprendre les applications et les limites du ventilateur, ainsi que les risques spécifiques relatifs à son utilisation. Le respect de cette consigne réduira les risques d'incendie, de choc électrique et de blessures graves.
- Les outils fonctionnant sur piles n'ayant pas besoin d'être branchés sur une prise de courant, ils sont toujours en état de fonctionnement. Tenir compte des dangers possibles lorsque l'produit n'est pas en usage et lors du remplacement des piles. Le respect de cette consigne réduira les risques d'incendie, de choc électrique et de blessures graves.
- Ne pas placer les ventilateurs sans fil ou leurs piles à proximité de flammes ou d'une source de chaleur. Ceci réduira les risques d'explosion et de blessures.
- Ne pas écraser, faire tomber ou endommager le bloc de piles. Ne pas utiliser un bloc de piles ou un chargeur endommagé ou soumis à un choc violent. Une pile endommagée risque d'exploser. Éliminer immédiatement toute pile endommagée, selon une méthode appropriée.
- Les piles peuvent exploser en présence d'une source d'allumage, telle qu'une veilleuse. Pour réduire les risques de blessures graves, ne jamais utiliser un appareil sans fil, quel qu'il soit, en présence d'une flamme vive. En explosant, une pile peut projeter des débris et des produits chimiques. En cas d'exposition, rincer immédiatement les parties atteintes avec de l'eau.
- Si le ventilateur est utilisé de façon intensive ou sous des températures extrêmes, des fuites de pile peuvent se produire. En cas de contact du liquide avec la peau, rincer immédiatement la partie atteinte avec de l'eau savonneuse, puis neutraliser avec du jus de citron ou du vinaigre. En cas d'éclaboussure dans les yeux, les rincer à l'eau fraîche pendant au moins 10 minutes, puis contacter immédiatement un médecin. Le respect de cette consigne réduira les risques de blessures graves.
- Ne pas incinérer les piles même s'il est très endommagé. Les piles peuvent exploser dans le feu.
- Pour réduire les risques d'incendie et de choc électrique, ne pas utiliser de ventilateur avec un dispositif de contrôle de vitesse à circuit solide.
- Pas pour l'usage dans les cuisines.
- Pour une utilisation générale uniquement. Ne pas utiliser pour évacuer des vapeurs et des matériaux dangereux ou explosifs.
- AVERTISSEMENT : Pour réduire le risque de blessure et de chocs électriques, le ventilateur ne doit pas être utilisé comme un jouet ou placé à portée des enfants.
- Pour réduire le risque de chocs électriques, ne pas exposer à l'eau ou à la pluie.
- Conserver ces instructions. Les consulter fréquemment et les utiliser pour instruire les autres utilisateurs éventuels. Si cet outil est prêté, il doit être accompagné de ces instructions, afin d'éviter un usage incorrect et d'éventuelles blessures.

# CARACTÉRISTIQUES ÉLECTRIQUES

## DOUBLE ISOLATION

La double isolation est un dispositif de sécurité utilisé sur les produits à moteur électriques, éliminant le besoin de cordon d'alimentation habituel à trois fils avec terre. Toutes les pièces métalliques exposées sont isolées des composants internes du moteur par l'isolation protectrice. Les produits à double isolation ne nécessitent pas de mise à la terre.

### AVERTISSEMENT :

Le système à double isolation est conçu pour protéger l'utilisateur contre les chocs électriques causés par une rupture du câblage interne de l'produit. Prendre toutes les précautions de sécurité normales pour éviter les chocs électriques.

**NOTE :** La réparation d'un produit à double isolation exigeant des précautions extrêmes ainsi que la connaissance du système, elle ne doit être confiée qu'à un réparateur qualifié. En ce qui concerne les réparations, nous recommandons de confier l'produit au centre de réparation le plus proche. Utiliser exclusivement des pièces d'origine pour les réparations.

## CONNEXIONS ÉLECTRIQUES

Ce produit hybride peut fonctionner avec du courant alternatif (ca) grâce à une rallonge électrique ou avec du courant continu (cc) grâce à un bloc-piles. Si le produit ne fonctionne ni avec une rallonge électrique ni avec le bloc-piles, double-vérifiez l'alimentation électrique.

- Pour utiliser du courant alternatif, branchez le produit à une **source d'alimentation de 120 V, ca seulement (courant normal d'une demeure), 60 Hz.**
- Pour utiliser du courant continu, installez a **seulement un bloc-piles de 18 V recommandé par le fabricant.**

**NOTE :** Ne faites pas fonctionner ce produit au courant continu par une rallonge électrique, ce qui pourrait causer une baisse importante de tension et une coupure de courant; le produit pourrait alors surchauffer.

## CORDONS PROLONGATEURS

Lors de l'utilisation d'un outil électrique à grande distance d'une prise secteur, veiller à utiliser un cordon prolongateur d'une capacité suffisante pour supporter l'appel de courant de l'produit. Un cordon de capacité insuffisante causerait une baisse de la tension de ligne, entraînant une perte de puissance et une surchauffe. Se reporter au tableau ci-dessous pour déterminer le calibre minimum de fil requis pour un cordon donné. Utiliser exclusivement des cordons à gaine cylindrique homologués par Underwriter's Laboratories (UL). Avant d'utiliser un cordon prolongateur, vérifier que ses fils ne sont ni détachés ni exposés et que son isolation n'est ni coupée, ni usée.

\*\*Intensité nominale (sur la plaquette signalétique de l'produit)

0-2,0 2,1-3,4 3,5-5,0 5,1-7,0 7,1-12,0 12,1-16,0

Longueur du cordon	Calibre de fil (A.W.G.)					
	0-2,0	2,1-3,4	3,5-5,0	5,1-7,0	7,1-12,0	12,1-16,0
25'	16	16	16	16	14	14
50'	16	16	16	14	14	12
100'	16	16	14	12	10	—

\*\*Utilisé sur circuit de calibre 12 – 20 A

**NOTE :** AWG = American Wire Gauge

### AVERTISSEMENT :




Maintenir le cordon prolongateur à l'écart de la zone de travail. Lors du travail avec un cordon électrique, placer le cordon de manière à ce qu'il ne risque pas de se prendre dans les pièces de bois, produits et autres obstacles. Ne pas prendre cette précaution peut entraîner des blessures graves.

### AVERTISSEMENT :








Vérifier l'état des cordons prolongateurs avant chaque utilisation. Remplacer immédiatement tout cordon endommagé. Ne jamais utiliser un produit dont le cordon d'alimentation est endommagé, car tout contact avec la partie endommagée pourrait causer un choc électrique et des blessures graves.

# SYMBOLES

Les termes de mise en garde suivants et leur signification ont pour but d'expliquer le degré de risques associé à l'utilisation de ce produit.

SYMBOLE	SIGNAL	SIGNIFICATION
	<b>DANGER :</b>	Indique une situation dangereuse qui, si elle n'est pas évitée, aura pour conséquences des blessures graves ou mortelles.
	<b>AVERTISSEMENT :</b>	Indique une situation dangereuse qui, si elle n'est pas évitée, pourrait entraîner des blessures graves ou mortelles.
	<b>ATTENTION :</b>	Indique une situation dangereuse qui, si elle n'est pas évitée, pourrait entraîner des blessures légères ou de gravité modérée.
	<b>AVIS :</b>	(Sans symbole d'alerte de sécurité) Indique les informations jugées importantes sans toutefois représenter un risque de blessure (ex. : messages concernant les dommages matériels).

Certains des symboles ci-dessous peuvent être utilisés sur produit. Veiller à les étudier et à apprendre leur signification. Une interprétation correcte de ces symboles permettra d'utiliser produit plus efficacement et de réduire les risques.

SYMBOLE	NOM	DÉSIGNATION / EXPLICATION
	Symbole d'alerte de sécurité	Indique un risque de blessure potentiel.
	Lire le manuel d'utilisation	Pour réduire les risques de blessures, l'utilisateur doit lire et veiller à bien comprendre le manuel d'utilisation avant d'utiliser ce produit.
	Avertissement concernant l'humidité	Ne pas exposer à la pluie ou l'humidité.
	Symbole de recyclage	Ce produit utilise les piles de lithium-ion (Li-ion). Les réglementations locales ou gouvernementales peuvent interdire de jeter les piles dans les ordures ménagères. Consulter les autorités locales compétentes pour les options de recyclage et/ou l'élimination.
V	Volts	Tension
A	Ampères	Intensité
Hz	Hertz	Fréquence (cycles par seconde)
W	Watt	Alimentation
min	Minutes	Temps
	Courant continu	Type ou caractéristique du courant
	Courant alternatif	Type de courant
	Outil de la classe II	Construction à double isolation

# CARACTÉRISTIQUES

## SPECIFICATIONS DU PRODUIT

Moteur ..... 18 V c.c.  
120 V, c.a. seulement, 60 Hz

Commutateur ..... Trois vitesses

## ASSEMBLAGE

### AVERTISSEMENT :

Ne pas utiliser le produit s'il n'est pas complètement assemblé ou si des pièces semblent manquantes ou endommagées. L'utilisation d'un produit dont l'assemblage est incorrect ou incomplet ou comportant des pièces endommagées ou absentes représente un risque de blessures graves.

### AVERTISSEMENT :

Ne pas essayer de modifier cet outil ou de créer des pièces et accessoires non recommandés. De telles altérations ou modifications sont considérées comme un usage abusif et peuvent créer des conditions dangereuses, risquant d'entraîner des blessures graves.

Si des pièces manquent ou sont endommagées, veuillez appeler au 1-800-525-2579 pour obtenir de l'aide.

## UTILISATION

### AVERTISSEMENT :

Ne pas laisser la familiarité avec l'outil faire oublier la prudence. Ne pas oublier qu'une fraction de seconde d'inattention peut entraîner des blessures graves.

### AVERTISSEMENT :

Ne pas utiliser d'outils ou accessoires non recommandés par le fabricant pour cet outil. L'utilisation de pièces et accessoires non recommandés peut entraîner des blessures graves.

## APPLICATIONS

Cet outil peut être utilisé pour l'application ci-dessous :

- Ventilation générale de la plupart des pièces de la maison

### AVIS :

Ce produit a été conçu pour être alimenté par un bloc-piles de 18 V One+™ de Ryobi™ (mode CC) ou une source d'alimentation électrique (mode CA). L'une des sources d'alimentation peut être utilisée soit par un bloc-piles approuvé ou par le cordon d'alimentation du produit, comme décrit dans ce manuel.

## INSTALLATION/RETRAIT DU BLOC-PILES

Voir la figure 1, page 8.

- Régler l'interrupteur sur la position **D'ARRÊT (0)**.
- Insérer la bloc-piles dans l'outil tel qu'illustré.
- S'assurer que ses deux loquets latéraux s'engagent correctement et vérifier que le bloc-piles est solidement assujéti avant d'utiliser produit.
- Relâcher les loquets pour retirer le bloc-piles.

Pour prendre connaissance des consignes de chargement, consulter le manuel d'utilisation des piles et des chargeurs.

### AVERTISSEMENT :

Toujours retirer le bloc-piles o cordon prolongateur de le produit au moment d'assembler des pièces, d'effectuer des réglages et de procéder au nettoyage, ou lorsque l'outil n'est pas utilisé. Le fait de retirer la pile o cordon prolongateur permet d'empêcher un démarrage accidentel pouvant entraîner des blessures graves.

# UTILISATION

## INSTALLATION/RETRAIT DU CORDON D'ALIMENTATION

Voir la figure 2, Page 8.

- Régler l'interrupteur sur la position **D'ARRÊT (0)**.
- Insérer la partie femelle du cordon d'alimentation dans le produit, comme illustré.
- Passer le cordon d'alimentation à travers la crochets de montage.
- Raccorder la fiche du cordon d'alimentation dans une source d'énergie.
- S'assurer que le cordon d'alimentation est raccordé correctement avant d'allumer le ventilateur.

## MISE EN MARCHÉ ET ARRÊT DU VENTILATEUR

Voir la figure 3, page 8.

- Raccorder le ventilateur à une source d'énergie CA ou CC.
- Pour démarrer le ventilateur, tourner l'interrupteur dans le sens horaire et sélectionner la vitesse désirée.
- L'interrupteur comprend quatre réglages :
  - 0 - Arrêt
  - 3 - Haut
  - 2 - Moyen
  - 1 - Bas
- Pour éteindre le ventilateur, tourner l'interrupteur dans le sens anti-horaire vers la position **ARRÊT (0)**.



### AVERTISSEMENT :

Les outils hybrides sont toujours en état de fonctionnement. Il est donc nécessaire de toujours régler l'interrupteur sur la position **D'ARRÊT (0)** lorsque l'outil n'est pas en usage.

## PENDRE OU MONTER LE VENTILATEUR

Voir les figure 4 et 5, page 9.

Ce ventilateur possède plusieurs options de suspension. Choisir l'option la mieux adaptée à l'endroit choisi.

**NOTE :** Le ventilateur peut être suspendu à la verticale ou à l'horizontale. Éviter de suspendre le ventilateur de manière à nuire à son fonctionnement normal ou à endommager son cordon.

### Utilisation des trous de serrure pour suspendre le ventilateur:

- Enlever le bloc-piles ou le cordon d'alimentation.
- Utilisez deux vis à tête cylindrique no 8 d'une longueur minimale de 31,8 mm pour monter le ventilateur.
- S'assurer que les vis sont solidement fixées dans un montant et qu'elles ne sont pas exposées à plus de 12,7 mm (1/2 po).
- Installer les vis dans le mur de sorte que la distance centrale soit de 50 mm (2 po).
- Glisser la base du ventilateur sur les vis jusqu'à ce que les vis soient alignées avec les trous de serrure. Insérer les vis dans les trous de serrure et glisser la base du ventilateur vers le bas pour le sécuriser en place.  
**NOTE:** S'assurer de ne pas suspendre le ventilateur de manière à ce qu'il empêche le fonctionnement normal du ventilateur.
- Insertion de la pile ou cordon d'alimentation.

### Suspendre le ventilateur à l'aide des crochets :

- Le ventilateur peut être monté sur une clôture à mailles losangées à l'aide des crochets de montage situés à la base du ventilateur.

## TÊTE AJUSTABLE

Voir la figure 6, page 9.

La tête du ventilateur se tourne jusqu'à 160 degrés. Pour changer les positions de tête, ajuster la tête à la position désirée.

# ENTRETIEN



### AVERTISSEMENT :

Utiliser exclusivement des pièces d'origine pour les réparations. L'usage de toute autre pièce pourrait créer une situation dangereuse ou endommager l'produit.

## ENTRETIEN GÉNÉRAL

Éviter d'utiliser des solvants pour le nettoyage des pièces en plastique. La plupart des matières plastiques peuvent être endommagées par divers types de solvants du commerce. Utiliser un chiffon propre pour éliminer la saleté, la poussière, l'huile, la graisse, etc.

**NOTE : ILLUSTRATIONS COMMENÇANT SUR 8 DE PAGE APRÈS LA SECTION ESPAGNOL.**

# INSTRUCCIONES DE SEGURIDAD IMPORTANTES



## ¡ADVERTENCIA!

**LEA Y GUARDE ESTAS INSTRUCCIONES.** El incumplimiento de las instrucciones señaladas abajo puede causar descargas eléctricas, incendios y lesiones corporales serias.

## GUARDE ESTAS INSTRUCCIONES ÁREA DE TRABAJO

- **Mantenga limpia y bien iluminada el área de trabajo.** Una mesa de trabajo mal despejada y una mala iluminación son causas comunes de accidentes.
- **No utilice ventiladores en atmósferas explosivas, como las existentes alrededor de líquidos, gases y polvos inflamables.** Los ventiladores generan chispas que pueden encender el polvo y los vapores inflamables.

## SEGURIDAD ELÉCTRICA

- **Todo ventilador de baterías, ya sea de baterías integradas o de paquete de baterías separado, debe recargarse únicamente con el cargador especificado para las baterías.** Un cargador que puede ser adecuado para un tipo de baterías puede significar un riesgo de incendio si se emplea con otro tipo de baterías.
- **Utilice los ventiladores de baterías sólo con el paquete de baterías específicamente indicado.** El empleo de baterías diferentes puede presentar un riesgo de incendio.
- **Usar este producto únicamente con la baterías y el cargadores indicados en el folleto de la herramienta/aparato/paquete de baterías/cargador complementario 987000-432.**
- **No anule la característica de seguridad de la clavija polarizada o clavija del tipo de conexión a tierra.** Una clavija polarizada tiene dos patillas, una de las cuales es más ancha que la otra. Una clavija del tipo de conexión a tierra tiene dos patillas y una tercera de conexión a tierra. La patilla más ancha o la tercera patilla se suministran para seguridad del operador. Si la clavija suministrada no encaja en la toma de corriente, consulte a un electricista para que cambie la toma de corriente obsoleta.
- **Proteja el cordón eléctrico para evitar que se lo pise o pellizque, especialmente a la altura de las clavijas, de las tomas de corriente y del punto de conexión de salida del aparato.**
- **Desenchufe este aparato durante las tormentas eléctricas o cuando no se utilice la máquina.**

## SEGURIDAD PERSONAL

- **Vístase adecuadamente. No vista ropas holgadas ni joyas. Recójase el cabello si está largo. Mantenga el cabello, la ropa y los guantes alejados de las piezas móviles.** Las ropas holgadas, las joyas y el cabello largo pueden engancharse en las piezas móviles.
- **Evite un arranque accidental de la unidad. Asegúrese de que el interruptor esté en la posición de aseguramiento o de apagado antes de instalar el paquete de baterías o cordón de extensión.** Llevar los ventiladores con el dedo en el interruptor o instalar el paquete de baterías o cordón de extensión en la ventilador con el interruptor puesto es causa común de accidentes.
- **No estire el cuerpo para alcanzar mayor distancia. Mantenga una postura firme y buen equilibrio en todo momento.** La postura firme y el buen equilibrio permiten un mejor control de la ventilador en situaciones inesperadas.
- **No utilice la unidad al estar en una escalera o en un soporte inestable.** Una postura estable sobre una superficie sólida permite un mejor control de la ventilador en situaciones inesperadas.

## EMPLEO Y CUIDADO DE LA VENTILADOR

- **No utilice los ventiladores si el interruptor no enciende o no apaga.** Un ventilador que no puede controlarse con el interruptor es peligroso y debe repararse.
- **Desconecte el paquete de baterías o cordón de extensión de el ventilador o ponga el interruptor en la posición de aseguramiento o apagado antes de efectuar ajustes, de cambiar accesorios o de guardar el ventilador.** Con tales medidas preventivas de seguridad se reduce el riesgo de poner en marcha accidentalmente el ventilador.
- **Cuando no esté usando el paquete de baterías, manténgalo alejado de todo objeto metálico como: clips, monedas, llaves, clavos, tornillos y otros objetos metálicos pequeños que puedan establecer conexión entre ambas terminales.** Establecer una conexión directa entre las dos terminales puede causar chispas, quemaduras o incendios.
- **Mantenga el ventilador y el mango secos, limpios y sin aceite ni grasa.** Siempre utilice un paño limpio para la limpieza de la unidad. Nunca utilice fluidos para frenos,

# INSTRUCCIONES DE SEGURIDAD IMPORTANTES

gasolina, productos a base de petróleo ni solventes fuertes para limpiar el ventilador. Con el cumplimiento de esta regla se reduce el riesgo de una pérdida de control y el deterioro del alojamiento de plástico de la unidad.

- **Para reducir el riesgo de descarga eléctrica, no utilice este ventilador cerca del agua, especialmente cuando está conectado a través del cable de alimentación.**
- **Limpie sólo con un paño seco.**
- **No instale cerca de fuentes de calor como, por ejemplo, radiadores, rejillas térmicas u otros aparatos que generen calor (entre ellos, amplificadores).**

## SERVICIO

- **El servicio del ventilador sólo debe ser efectuado por personal de reparación calificado.** Todo servicio o mantenimiento efectuado por personal no calificado puede significar un riesgo de lesiones.
- **Al dar servicio a un ventilador, sólo utilice piezas de repuesto idénticas. Siga las instrucciones señaladas en la sección “Mantenimiento” de este manual.** El empleo de piezas no autorizadas o el incumplimiento de las instrucciones de mantenimiento puede significar un riesgo de descarga eléctrica o de lesiones.

# ADVERTENCIAS DE SEGURIDAD VENTILADOR

- **Familiarícese con su ventilador eléctrico. Lea cuidadosamente el manual del operador. Aprenda sus usos y limitaciones, así como los posibles peligros específicos de este ventilador.** Con el cumplimiento de esta regla se reduce el riesgo de una descarga eléctrica, incendio o lesión seria.
- **Las herramientas de baterías no se necesitan conectar a una toma de corriente; por lo tanto, siempre están en condiciones de funcionamiento.** Esté consciente de los posibles peligros cuando no esté usando la herramienta de baterías o cuando esté cambiando los accesorios de la misma. Con el cumplimiento de esta regla se reduce el riesgo de una descarga eléctrica, incendio o lesión corporal seria.
- **No coloque ventiladores de baterías ni las baterías mismas cerca del fuego o del calor.** De esta manera se reduce el riesgo de explosiones y de lesiones.
- **No aplaste, deje caer o dañe el paquete de baterías. No utilice el paquete de baterías ni el cargador si han sufrido una caída o un golpe contundente.** Las baterías dañadas pueden sufrir explosiones. Deseche de inmediato toda batería que haya sufrido una caída o que haya sido dañada.
- **Las baterías pueden explotar en presencia de una fuente de inflamación, como una luz guía.** Para reducir el riesgo de lesiones corporales serias, nunca use un producto inalámbrico en presencia de llamas expuestas. La explosión de una batería puede lanzar fragmentos y compuestos químicos. Si ha quedado expuesto a la explosión de una batería, lávese de inmediato con agua.
- **En condiciones extremas de uso o temperatura las baterías pueden emanar líquido. Si el líquido llega a tocarle la piel, lávese de inmediato con agua y jabón, y después neutralice los efectos con jugo de limón o vinagre. Si le entra líquido en los ojos, láveselos con agua limpia por lo menos 10 minutos, y después busque de inmediato atención médica.** Con el cumplimiento de esta regla se reduce el riesgo de lesiones serias.
- **No incinere las baterías, incluso si está dañado seriamente.** Las baterías pueden estallar e incendiarse.
- **Para reducir el riesgo de incendio o descarga eléctrica, no utilice este ventilador con ningún dispositivo de control de velocidad de estado sólido.**
- **No es para uso en cocinas.**
- **Para usos sólo de ventilación en general. No utilice para extraer materiales y vapores explosivos o peligrosos.**
- **ADVERTENCIA: Para reducir el riesgo de lesión personal y descarga eléctrica, el ventilador no debe usarse o colocarse al alcance de niños pequeños.**
- **Para reducir el riesgo de descarga eléctrica, no lo exponga a la lluvia o al agua.**
- **Guarde estas instrucciones.** Consúltelas con frecuencia y empléelas para instruir a otras personas que puedan utilizar esta herramienta. Si presta a alguien esta herramienta, facilítele también las instrucciones con el fin de evitar un uso indebido del producto y posibles lesiones.

# ASPECTOS ELÉCTRICOS

## DOBLE AISLAMIENTO

El doble aislamiento es una característica de seguridad de las productos eléctricas, la cual elimina la necesidad de usar el típico cordón eléctrico de tres conductores con conexión a tierra. Todas las partes metálicas expuestas están aisladas de los componentes metálicos internos del motor por medio de aislamiento de protección. No es necesario conectar a tierra las productos con doble aislamiento.



### ADVERTENCIA:

El sistema de doble aislamiento está destinado para proteger al usuario contra las descargas eléctricas resultantes de la ruptura del cableado interno de la producto. Observe todas las precauciones de seguridad para evitar descargas eléctricas.

**NOTA:** El mantenimiento de una producto con doble aislamiento requiere sumo cuidado y conocimiento del sistema, y únicamente deben realizarlo técnicos de servicio calificados. Para el servicio de la producto, le sugerimos llevarla al centro de servicio autorizado más cercano para toda reparación. Siempre utilice piezas de repuesto de la fábrica original al dar servicio a la unidad.

## CONEXIÓN ELÉCTRICA

Este es un producto híbrido que funciona con corriente alterna (CA) mediante un cable de extensión o corriente continua (CC) mediante un paquete de baterías. Si el producto no funciona al instalar un cable de extensión o un paquete de baterías, vuelva a verificar la fuente de alimentación.

- Para usar corriente alterna, conecte el producto a una **fuentes de alimentación de 120 V, CA solamente (corriente utilizada comúnmente en los hogares) y 60 Hz.**
- Para usar corriente continua, instale **solo un paquete de baterías de 18 V recomendado por el fabricante.**

**NOTA:** No use el producto con corriente continua con un cable de extensión. Si lo hace, podría haber una caída importante de tensión, que causará la pérdida de alimentación y que el producto se sobrecaliente.

## CORDONES DE EXTENSIÓN

Al utilizar una producto eléctrica a una distancia considerable de la fuente de voltaje, asegúrese de utilizar un cordón de extensión con la suficiente capacidad para soportar la corriente de consumo de la producto. Un cordón de un calibre insuficiente causa una caída en el voltaje de línea, la cual a su vez produce recalentamiento y pérdida de potencia. Báse en la tabla suministrada para determinar el grueso mínimo requerido del cordón de extensión. Solamente deben utilizarse cordones con forro redondo registrados en Underwriter's Laboratories (UL).

Antes de utilizar un cordón de extensión, inspecciónelo para ver si tiene conductores flojos o expuestos y aislamiento cortado o gastado.

\*\*Amperaje (aparece en la placa de datos de la producto)

0-2,0    2,1-3,4    3,5-5,0    5,1-7,0    7,1-12,0    12,1-16,0

Longitud del cordón	Calibre conductores (A.W.G.)					
	0-2,0	2,1-3,4	3,5-5,0	5,1-7,0	7,1-12,0	12,1-16,0
25'	16	16	16	16	14	14
50'	16	16	16	14	14	12
100'	16	16	14	12	10	—

\*\*Se usa en los circuitos de calibre 12, de 20 amperes.

**NOTA:** AWG = Calibre conductores norma americana



### ADVERTENCIA:

Mantenga el cordón de extensión fuera del área de trabajo. Al trabajar con una producto eléctrica, coloque el cordón de tal manera que no pueda enredarse en la madera, productos ni en otras obstrucciones. La inobservancia de esta advertencia puede causar lesiones serias.






### ADVERTENCIA:

Inspeccione los cordones de extensión cada vez antes de usarlos. Si están dañados reemplácelos de inmediato. Nunca utilice la producto con un cordón dañado, ya que si toca la parte dañada puede producirse una descarga eléctrica, y las consecuentes lesiones serias.










# SÍMBOLOS

Las siguientes palabras de señalización y sus significados tienen el objeto de explicar los niveles de riesgo relacionados con este producto.

SÍMBOLO	SEÑAL	SIGNIFICADO
	<b>PELIGRO:</b>	Indica una situación peligrosa, la cual, si no se evita, causará la muerte o lesiones serias.
	<b>ADVERTENCIA:</b>	Indica una situación peligrosa, la cual, si no se evita, podría causar la muerte o lesiones serias.
	<b>PRECAUCIÓN:</b>	Indica una situación peligrosa, la cual, si no se evita, podría causar lesiones menores o leves.
	<b>AVISO:</b>	(Sin el símbolo de alerta de seguridad) Indica la información que se considera importante, pero no relacionada con lesiones potenciales (por ej. en relación a daños a la propiedad).

Es posible que se empleen en este producto algunos de los siguientes símbolos. Le suplicamos estudiarlos y aprender su significado. Una correcta interpretación de estos símbolos le permitirá utilizar mejor y de manera más segura el producto.

SÍMBOLO	NOMBRE	DENOMINACIÓN/EXPLICACIÓN
	Alerta de seguridad	Indica un peligro posible de lesiones personales.
	Lea el manual del operador	Para reducir el riesgo de lesiones, el usuario debe leer y comprender el manual del operador antes de usar este producto.
	Alerta de condiciones húmedas	No exponga la unidad a la lluvia ni la use en lugares húmedos.
	Símbolo de reciclado	Este producto utiliza baterías de iones de litio (Li-ion). Es posible que algunas leyes municipales, estatales o federales prohíban desechar las baterías en la basura normal. Consulte a las autoridades reguladoras de desechos para obtener información en relación con las alternativas de reciclado y desecho disponibles.
V	Voltios	Voltaje
A	Amperios	Corriente
Hz	Hertz	Frecuencia (ciclos por segundo)
W	Watts	Potencia
min	Minutos	Tiempo
	Corriente continua	Tipo o característica de corriente
	Corriente alterna	Tipo de corriente
	Fabricación Clase II	Fabricación con doble aislamiento

# CARACTERÍSTICAS

## ESPECIFICACIONES DEL PRODUCTO

Motor..... 18 V, corr. cont.  
120 V, sólo corr. alt., 60 Hz

Interruptor..... Tres velocidades

## ARMADO

### ADVERTENCIA:

No use este producto si no está totalmente ensamblado o si alguna pieza falta o está dañada. El uso de un producto que no está adecuadamente y completamente ensamblado o posee partes dañadas o faltantes puede resultar en lesiones personales graves.

### ADVERTENCIA:

No intente modificar este producto ni crear aditamentos o accesorios que no estén recomendados para usar con este producto. Dichas alteraciones o modificaciones constituyen un uso indebido y podrían provocar una situación de riesgo que cause posibles lesiones personales graves.

Si hay piezas dañadas o faltantes, le suplicamos llamar al 1-800-525-2579, donde le brindaremos asistencia. En México, llame al 01-800-843-1111.

## FUNCIONAMIENTO

### ADVERTENCIA:

No permita que su familiarización con las herramientas lo vuelva descuidado. Tenga presente que un descuido de un instante es suficiente para causar una lesión grave.

### ADVERTENCIA:

No utilice ningún aditamento o accesorio no recomendado por el fabricante de esta herramienta. El empleo de aditamentos o accesorios no recomendados podría causar lesiones serias.

## USOS

Esta herramienta puede emplearse para los fines enumerados abajo:

- La ventilación general de la mayoría de los espacios de la casa

### AVISO:

Este producto está diseñado para ser alimentado con un paquete de baterías Ryobi™ One+™ 18 V (modo CC) o mediante alimentación eléctrica (modo CA). Puede utilizarse cualquier fuente de alimentación instalando un paquete de baterías aprobado o un cable de alimentación dentro del producto, como se describe en este manual.

## INSTALACIÓN/DESMONTAR DEL PAQUETE DE BATERÍAS

Vea la figura 1, página 8.

- Coloque el interruptor de corriente en la posición **APAGADO (0)**.
- Coloque el paquete de baterías en el producto como se muestra.
- Asegúrese de que los pestillos situados en ambos lados del paquete de baterías se deslicen completamente en su lugar y de que el paquete quede bien fijo en el producto antes de empezar a utilizarlo.
- Oprima los pestillos para extraer el paquete de baterías.

Para obtener instrucciones específicas de carga, lea el manual del operador que se incluye con el cargador y la batería.

### ADVERTENCIA:

Retire siempre el paquete de baterías o cordón de extensión del producto antes de instalar las piezas, realizar ajustes, limpiarla o cuando no la utilice. Retirar el paquete de baterías o cordón de extensión evitará que la unidad se accione accidentalmente y provoque lesiones graves.

# FUNCIONAMIENTO

## INSTALACIÓN/DESMONTAR DEL CABLE DE ALIMENTACIÓN

Vea la figura 2, página 8.

- Coloque el interruptor de corriente en la posición **APAGADO (0)**.
- Inserte el extremo hembra del cable de alimentación dentro del producto como se muestra.
- Pase el cordón de corriente a través del gancho para colgar.
- Conecte el extremo macho del cable de alimentación a la fuente de alimentación.
- Asegúrese de que el cable de alimentación esté asegurado antes de comenzar con el funcionamiento.

## ENCENDIDO Y APAGADO DE VENTILADOR

Vea la figura 3, página 8.

- Conecte el ventilador a una fuente de alimentación CA o CC.
- Para arrancar el ventilador, gire el interruptor de velocidad en sentido horario y seleccione la velocidad deseada.
- El interruptor de velocidad tiene cuatro configuraciones:
  - 0:** apagado
  - 3:** alta
  - 2:** media
  - 1:** baja
- Para detener el ventilador, gire el interruptor de velocidad en sentido antihorario a la posición de **APAGADO (0)**.



### ADVERTENCIA:

Las herramientas híbridas siempre están en condiciones de funcionamiento. Por lo tanto, siempre coloque el interruptor de corriente en la posición **APAGADO (0)**, cuando no esté usándose.

## PARA COLGAR EL VENTILADOR

Vea las figuras 4 y 5, página 9.

Su ventilador tiene una variedad de opciones para colgar. Elija la opción que le sea más cómoda para su ubicación.

**NOTA:** El ventilador puede colgarse de manera vertical u horizontal. Tenga cuidado de no colgar el ventilador de manera que impida la operación normal del ventilador o le cause daños al cordón.

### Cómo usar los orificios para ganchos para colgar el ventilador:

- Retire la batería o cable de alimentación.
- Utilice dos tornillos de cabeza plana n.º 8 con una longitud mínima de 31,8 mm para montar el ventilador.
- Asegúrese de que los tornillos estén bien ajustados en la viga y de que no queden expuestos más de 12,7 mm (1/2 pulg.).
- Instale los tornillos en la pared de modo que la distancia al centro sea de 50 mm (2 pulg.).
- Deslice la base del ventilador en los tornillos hasta que estos queden alineados con los orificios para ganchos. Inserte los tornillos en los orificios para ganchos y deslice la base del ventilador hacia abajo para asegurar el ventilador en su lugar.
  - NOTA:** Tenga cuidado de no colgar el ventilador de manera que evite el funcionamiento normal de la unidad.
- Inserte la batería o cable de alimentación.

### Cómo colgar el ventilador con los ganchos:

- El ventilador se puede colgar en una cerca de alambre utilizando los ganchos de la base del ventilador.

## CABEZA AJUSTABLE

Vea la figura 6, página 9.

La cabeza ajustable del ventilador se rota hasta 160 grados. Para cambiar las posiciones de la cabeza, ajústela a la posición deseada.

# MANTENIMIENTO



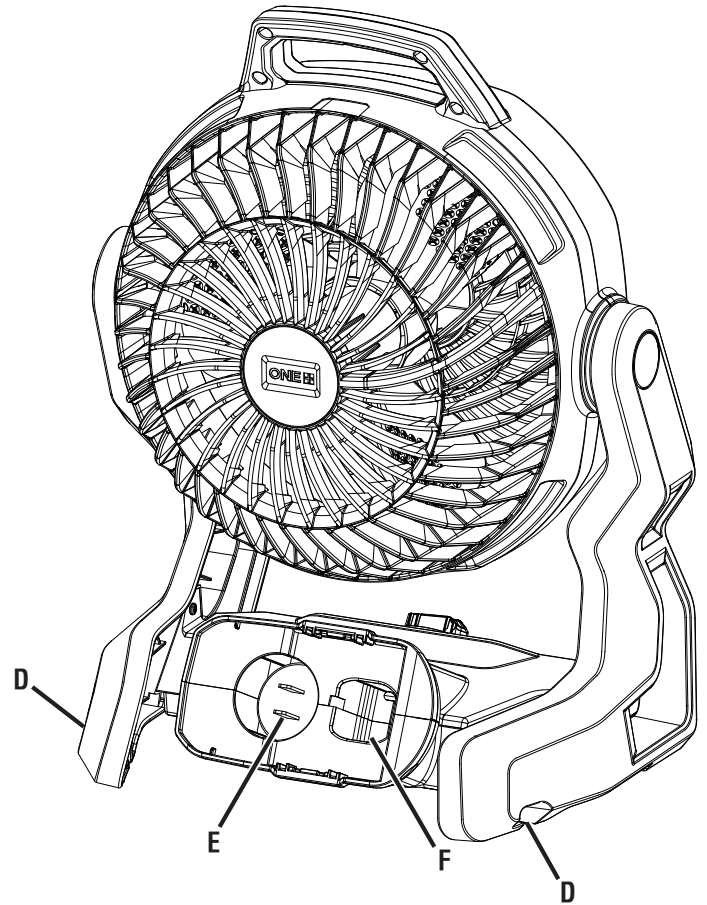
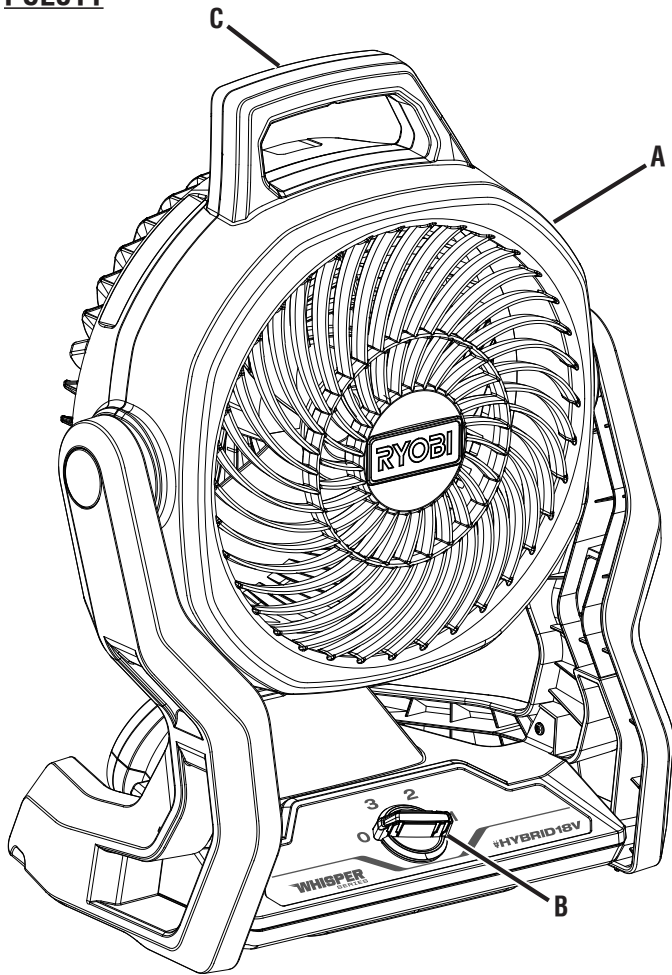
### ADVERTENCIA:

Al dar servicio a la unidad, sólo utilice piezas de repuesto idénticas. El empleo de piezas diferentes podría causar un peligro o dañar el producto.

## MANTENIMIENTO GENERAL

Evite el empleo de solventes al limpiar piezas de plástico. La mayoría de los plásticos son susceptibles a diferentes tipos de solventes comerciales y pueden resultar dañados. Utilice paños limpios para eliminar la suciedad, el polvo, el aceite, la grasa, etc.

**PCL811**

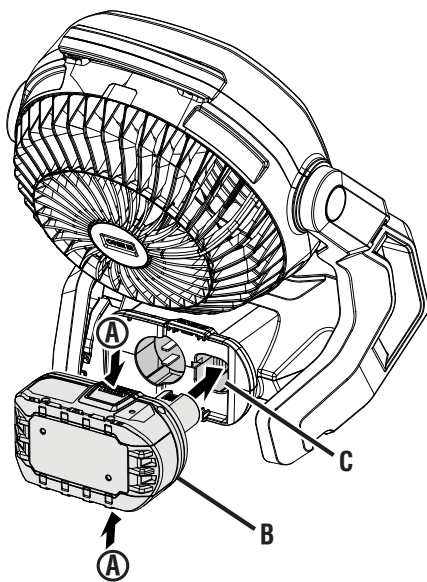


A - Adjustable head (tête ajustable, cabeza ajustable)  
B - Switch (interrupteur, interruptor)

C - Handle (poignée, mango)  
D - Mounting hook (crochet de montage, gancho para colgar)

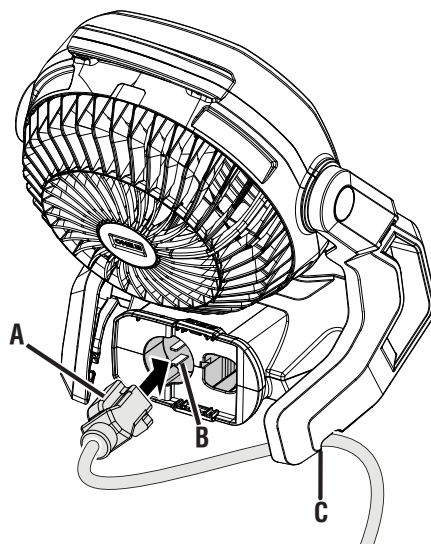
E - Receptacle (prise, receptáculo)  
F - Battery port (logements de bloc-piles, puertos de baterías)

**Fig. 1**



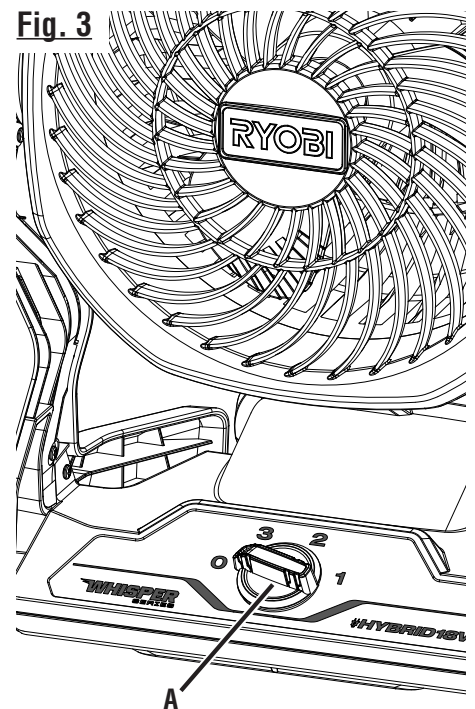
A - Latches (loquets, pestillos)  
B - Battery pack (bloc-piles, baterías)  
C - Battery port (logements de bloc-piles, puertos de baterías)

**Fig. 2**



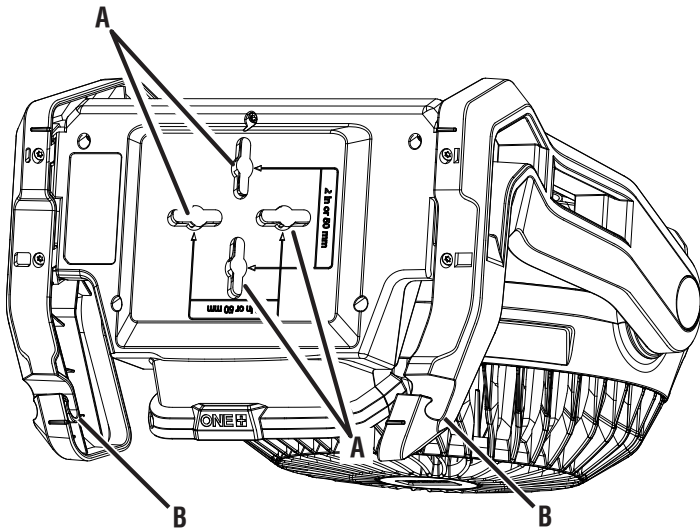
A - Power cord (cordon d'alimentation, cordón de corriente)  
B - Receptacle (prise, receptáculo)  
C - Mounting hook (crochet de montage, gancho para colgar)

**Fig. 3**



A - Switch (interrupteur, interruptor)

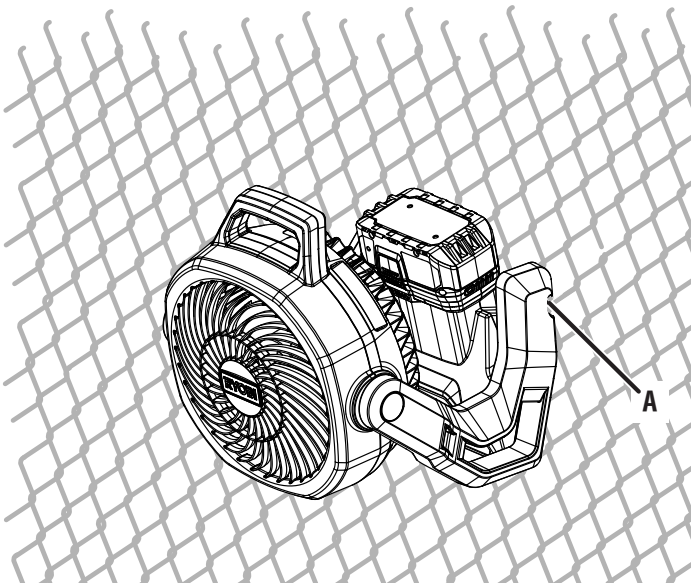
**Fig. 4**



A - Key hole hangers - 2 in. [« trou de serrure » pour la suspension de 50 mm (2 po), colgador tipo “bocallave” de 50 mm (2 pulg.)]  
B - Mounting hook (crochet de montage, gancho para colgar)

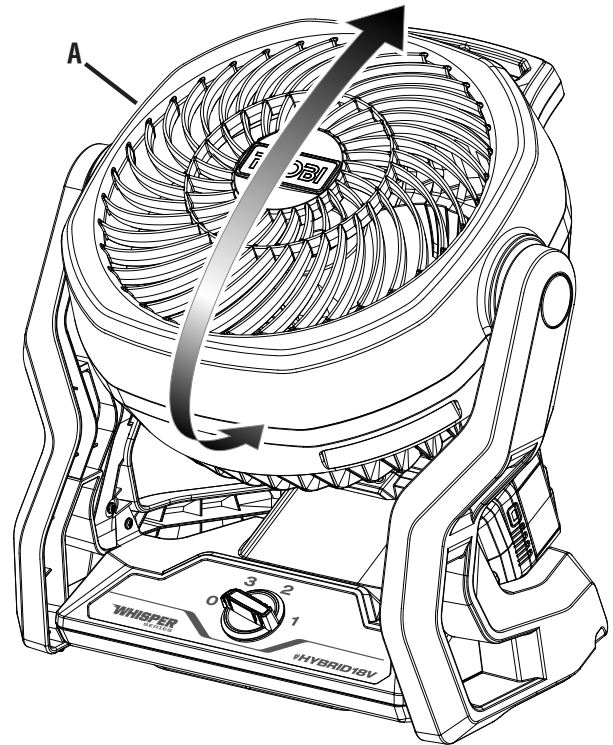
**Fig. 5**

**MOUNTED TO A CHAIN LINK FENCE  
MONTÉ SUR UNE CLÔTURE À  
MAILLES LOSANGÉES  
MONTADO EN UNA CERCA DE ALAMBRE**



A - Mounting hook (crochet de montage, gancho para colgar)

**Fig. 6**



A - Adjustable head (tête ajustable, cabeza ajustable)

**NOTES/NOTAS**

---

---

---

---

---

---

---

---

---

---

---

---

---

---

---

---

---

---

---

---

---

---

---

---

---

---

---

---

---

---

---





**OPERATOR'S MANUAL / 18 VOLT HYBRID FAN**  
**MANUEL D'UTILISATION / VENTILATEUR HYBRIDE DE 18 V**  
**MANUAL DEL OPERADOR / VENTILADOR HÍBRIDA DE 18 V**  
**PCL811**

To request service, purchase replacement parts,  
locate an Authorized Service Center or obtain Customer or Technical Support:  
Visit [www.ryobitools.com](http://www.ryobitools.com) or call **1-800-525-2579**

If any parts or accessories are damaged or missing, do not return this product to the store.  
Call **1-800-525-2579** for immediate service.

Please obtain your model and serial number from the product data plate.  
**This product is covered under a 3-year limited Warranty. Proof of purchase is required.**

MODEL NUMBER\* \_\_\_\_\_ SERIAL NUMBER \_\_\_\_\_

*\*Model number on product may have additional letters at the end. These letters designate manufacturing information and should be provided when calling for service.*

RYOBI is a trademark of Ryobi Limited and is used pursuant to a license granted by Ryobi Limited.

Pour faire une demande de réparations ou obtenir des pièces de rechange, trouver un  
Centre de réparations agréé pour obtenir un soutien technique ou le Service à la clientèle :  
Visiter [www.ryobitools.com](http://www.ryobitools.com) ou en téléphonant au **1-800-525-2579**

Si des pièces ou accessoires sont manquantes ou endommagées, ne pas retourner  
ce produit au magasin. Appeler immédiatement au **1-800-525-2579** pour obtenir de l'aide.

Inscrire les numéros de modèle et de série inscrits sur la plaque d'identification du produit.  
**Ce produit est couvert par une garantie limitée de trois (3) ans. Une preuve d'achat est exigée.**

NUMÉRO DE MODÈLE\* \_\_\_\_\_ NUMÉRO DE SÉRIE \_\_\_\_\_

*\*Le numéro de modèle sur le produit peut contenir des lettres supplémentaires à la fin. Ces lettres désignent les informations du fabricant et doivent être fournies lors d'un appel de demande de service.*

RYOBI est une marque de Ryobi Limited et est utilisée en vertu d'une licence accordée par Ryobi Limited.

Para obtener servicio, comprar piezas de repuesto, localizar un centro de servicio autorizado  
y obtener Servicio o Asistencia Técnica al Consumidor:

Visite [www.ryobitools.com](http://www.ryobitools.com) (en la EE.UU.) o [www.ryobitools.mx](http://www.ryobitools.mx) (en México)  
o llame al **1-800-525-2579** (en la EE.UU.) o **01-800-843-1111** (en México).

Si hay alguna pieza o accesorios dañada o faltante, no devuelva este producto a la tienda.  
Llame al **1-800-525-2579** (en la EE.UU.) o **01-800-843-1111** (en México) para servicio técnico inmediato.

Obtenga su modelo y número de serie de la placa de datos del producto.  
**Este producto está cubierto con una garantía limitada de 3 años. Se solicita prueba de la compra.**

NÚMERO DE MODELO\* \_\_\_\_\_ NÚMERO DE SERIE \_\_\_\_\_

*\*El número de modelo que figura en el producto podría tener letras adicionales al final. Estas designan información de fabricación y deben suministrarse cuando llame para obtener asistencia o servicio.*

RYOBI es una marca de Ryobi Limited y se utiliza conforme a una licencia otorgada por Ryobi Limited.

**ONE WORLD TECHNOLOGIES, INC.**

P.O. Box 1288, Anderson, SC 29622 • Phone 1-800-525-2579  
États-Unis, Téléphone 1-800-525-2579 • USA, Teléfono 1-800-525-2579

[www.ryobitools.com](http://www.ryobitools.com)