



OPERATOR'S MANUAL
MANUEL D'UTILISATION
MANUAL DEL OPERADOR
18 V HYBRID FORCED AIR
PROPANE HEATER
APPAREIL DE CHAUFFAGE HYBRIDE AU
PROPANE
ET À AIR FORCÉ DE 18 V
CALENTADOR A GAS PROPANO
DE AIRE FORZADO HÍBRIDO DE 18 V
PCL801

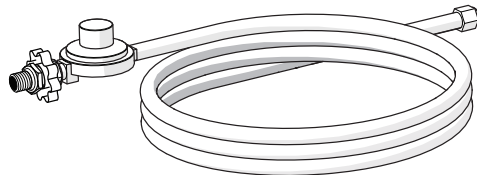
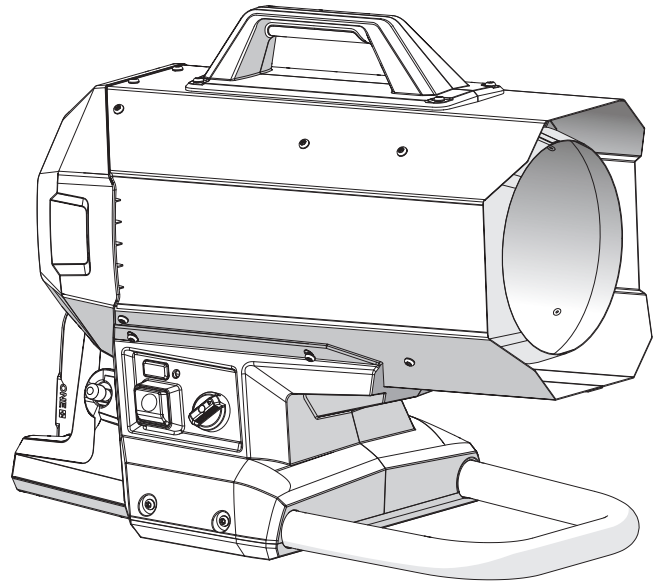


TABLE OF CONTENTS

- Important Safety Instructions..... 2-4
- Portable Propane Heater Safety Warnings 5
- Symbols 6
- Electrical 7
- Features 8
- Tools Needed 8
- Assembly 8-9
- Operatio 10-11
- Maintenance 12
- Illustrations..... 13-14
- Parts Ordering and ServiceBack page

TABLE DES MATIÈRES

- Instructions importantes concernant la sécurité..... 2-4
- Avertissements de sécurité relatifs appareil de chauffage au propane portatif..... 5
- Symboles 6
- Caractéristiques électriques 7
- Caractéristiques 7
- Outils nécessaires 8
- Assemblage 8-9
- Utilisatio 10-11
- Entretien 12
- Illustrations..... 13-14
- Commande de pièces et dépannagePage arrière

ÍNDICE DE CONTENIDO

- Instrucciones de seguridad importantes..... 2-4
- Advertencias de seguridad calentador a gas propano portátil . 4-5
- Símbolos..... 6
- Aspectos eléctricos 7
- Características 8
- Herramientas necesarias 8
- Armado 8-9
- Funcionamiento 10-11
- Mantenimiento 12
- Ilustraciones 13-14
- Pedidos de piezas y servicio Pág. posterior

⚠ WARNING: To reduce the risk of injury, the user must read and understand the operator's manual before using this product.

⚠ AVERTISSEMENT : Pour réduire les risques de blessures, l'utilisateur doit lire et veiller à bien comprendre le manuel d'utilisation avant d'employer ce produit.

⚠ ADVERTENCIA: Para reducir el riesgo de lesiones, el usuario debe leer y comprender el manual del operador antes de usar este producto.

SAVE THIS MANUAL FOR FUTURE REFERENCE

CONSERVER CE MANUEL POUR FUTURE RÉFÉRENCE

GUARDE ESTE MANUAL PARA FUTURAS CONSULTAS

IMPORTANT SAFETY INSTRUCTIONS

DANGER:

Carbon Monoxide. Using a propane heater indoors CAN KILL YOU IN MINUTES.

Propane heater exhaust contains high levels of carbon monoxide (CO), a poisonous gas you cannot see or smell. If you can smell the propane heater exhaust, you are breathing CO. But even if you cannot smell the exhaust, you could be breathing CO.

- Never use a propane heater inside homes, garages, crawlspaces, recreational vehicles, or other partly enclosed areas. Deadly levels of carbon monoxide can build up in these areas. Using a fan or opening windows and doors does NOT supply enough fresh air.
- ONLY use a propane heater outdoors and far away from open windows, doors, and vents. These openings can pull in propane heater exhaust.

Propane cylinder must be located outdoors during operation except during construction or renovation of buildings not occupied by the public.

Even when you use a propane heater correctly, CO may leak into the home. ALWAYS use a battery-powered or battery-backup CO alarm in the home.

If you start to feel sick, dizzy, weak, or experience a headache after the propane heater has been running, move to fresh air RIGHT AWAY. See a doctor. You could have carbon monoxide poisoning. Do not sleep while propane heater is operating.

DANGER:

If you smell propane gas, shut off propane to the heater at the propane cylinder. If odor continues, keep away from the heater and immediately call your propane gas supplier or your fire department.

WARNING:

FIRE, BURN, INHALATION, AND EXPLOSION HAZARD. KEEP SOLID COMBUSTIBLES, SUCH AS BUILDING MATERIALS, PAPER, OR CARDBOARD, A SAFE DISTANCE AWAY FROM THE HEATER AS RECOMMENDED BY THE INSTRUCTIONS. NEVER USE THE HEATER IN SPACES WHICH DO OR MAY CONTAIN VOLATILE OR AIRBORNE COMBUSTIBLES, OR PRODUCTS SUCH AS GASOLINE, SOLVENTS, PAINT THINNER, DUST PARTICLES OR UNKNOWN CHEMICALS.

WARNING:

FIRE, BURN, INHALATION, AND EXPLOSION HAZARD. DO NOT PLACE OVER COMBUSTIBLE MATERIALS SUCH AS BUILDING MATERIALS, WOOD, PAPER, OR CARDBOARD OR MATERIALS SUBJECT TO DISINTEGRATION DUE TO EXPANSION, SUCH AS CONCRETE.

WARNING:

FOR OUTDOOR USE ONLY

WARNING:

FAILURE TO COMPLY WITH THE PRECAUTIONS AND INSTRUCTIONS PROVIDED WITH THIS HEATER CAN RESULT IN DEATH, SERIOUS BODILY INJURY, AND PROPERTY LOSS OR DAMAGE FROM HAZARDS OF FIRE, EXPLOSION, BURN, ASPHYXIATION, CARBON MONOXIDE POISONING, AND/OR ELECTRICAL SHOCK.

ONLY PERSONS WHO CAN UNDERSTAND AND FOLLOW THE INSTRUCTIONS SHOULD USE OR SERVICE THIS HEATER.

IF YOU NEED ASSISTANCE OR HEATER INFORMATION SUCH AS AN INSTRUCTIONS MANUAL, LABEL, ETC. CONTACT THE MANUFACTURER.

WARNING:

NOT FOR HOME OR RECREATIONAL VEHICLE USE.

IMPORTANT SAFETY INSTRUCTIONS

WARNING:

Air Quality Hazard:

- Do not use this heater for heating human living quarters.
- Use of direct-fired heaters in the construction environment can result in exposure to levels of CO, CO₂, and NO₂, considered to be hazardous to health and potentially life threatening.
- Do not use in unventilated areas.
- Know the signs of CO and CO₂ poisoning.
 - Headaches, stinging eyes;
 - Dizziness, disorientation;
 - Difficulty breathing, feels of being suffocated.
- Proper ventilation air exchange (OSHA 29 CFR 1926.57) to support combustion and maintain acceptable air quality shall be provided in accordance with OSHA 29 CFR Part 1926.154, ANSI A10.10 Safety Requirements for Temporary and Portable Space Heating Devices and Equipment used in the Construction Industry or the Natural Gas and Propane Installation Codes CSA B149.1.
- Periodically monitor levels of CO, CO₂, and NO₂ existing at the construction site – at the minimum at the start of the shift and after 4 hours.
- Provide ventilation air exchange, either natural or mechanical, as required to maintain acceptable indoor air quality.

WARNING:

Adequate ventilation must be provided. A minimum 2 ft. sq. (0.19 m²) ventilation opening near floor and 2 ft. sq. (0.19 m²) ventilation opening near ceiling must be in place during use of this heater. Do not sleep while heater is operating.

WARNING:

Read and save these instructions. Failure to follow all instructions listed below, may result in electric shock, fire and/or serious personal injury.

SAVE THESE INSTRUCTIONS

When using propane:

- This propane product must be installed in accordance with the latest local codes. In the absence of local codes, use the:
 - United States:
 - National Fuel Gas Code, ANSI Z223.1/NFPA 54
 - LP Gas Code, NFPA 58
 - Canada:
 - Natural Gas and Propane Installation Code, CSA B149.1
 - Propane Storage and Handling Code, CSA B149.2.
- Proper ventilation air exchange (**OSHA 29 CFR 1926.57**) to support combustion and maintain acceptable air quality shall be provided in accordance with **OSHA 29 CFR Part 1926.154, ANSI A10.10 Safety Requirements for Temporary and Portable Space Heating Devices and Equipment** used in the Construction Industry or the Natural Gas and Propane Installation Codes CSA B149.1.
- Periodically monitor levels of CO, CO₂, and existing NO₂ existing at the construction site – at the minimum at the start of the shift and after 4 hours.
- Provide ventilation air exchange, either natural or mechanical, as required to maintain acceptable indoor air quality.
- Always turn off gas at the propane cylinder (liquid propane also called liquid petroleum gas) when the product is not in use. Disconnect the cylinder before storage.
- Before storing, allow the product to cool for 30 minutes and remove propane cylinder from the unit. Do not store a propane cylinder attached to or near the product. If not followed exactly, a fire causing death or serious injury may occur.
- Inspect the hose for damage before each use. If it is evident there is excessive abrasion or wear, or the hose is cut, it must be replaced prior to the product being put into operation. The replacement hose assembly shall be that specified by the manufacturer. Use only replacement hose part no. TYQ-5B1-QG005.
- This heater must be located on stable and level surface and located away from combustible surfaces by no less than 24 inches from rear and sides of heater and 72 inches from above and front outlet of heater.

IMPORTANT SAFETY INSTRUCTIONS

- Never fill the propane cylinder beyond 80 percent full. An overfilled or improperly stored cylinder is a hazard due to possible gas release from the safety release valve. If not followed exactly, a fire causing death or serious injury may occur.
- Only use a propane cylinder that includes a collar to protect the cylinder valve.
- If a leak is detected at any time, get away from the propane cylinder and call the fire department.
- Do not use the product until leak-tested.
- Propane cylinders must be stored outdoors out of reach of children and must not be stored in a building, garage, or any other closed in area.
- Do not operate in altitudes above 2,000 ft.

WORK AREA

- **Keep your work area clean and well lit.** Cluttered benches and dark areas invite accidents.
- **Do not operate propane heaters in explosive atmospheres, such as in the presence of flammable liquids, gases, or dust.** Propane heaters create sparks which may ignite the dust or fumes.

ELECTRICAL SAFETY

- **A battery operated product with integral batteries or a separate battery pack must be recharged only with the specified charger for the battery.** A charger that may be suitable for one type of battery may create a risk of fire when used with another battery.
- **Use battery operated product only with specifically designated battery pack.** Use of any other batteries may create a risk of fire.
- **Use this product only with batteries and chargers listed in tool/appliance/battery pack/charger correlation supplement 987000-432.**
- Protect the power cord from being walked on or pinched particularly at plugs, convenience receptacles, and the point where they exit from the product.
- Unplug this product during lightning storms or when not in use.

PERSONAL SAFETY

- **Dress properly. Do not wear loose clothing or jewelry. Contain long hair. Keep your hair, clothing, and gloves away from moving parts.** Loose clothes, jewelry, or long hair can be caught in moving parts.
- **Avoid accidental starting. Be sure switch is in the locked or off position before inserting battery pack or extension cord.** Carrying the product with your finger on the switch or inserting the battery pack or extension cord into the product with the switch on invites accidents.

- **Do not overreach. Keep proper footing and balance at all times.** Proper footing and balance enable better control of the product in unexpected situations.
- **Do not wear loose clothing or jewelry. Contain long hair.** Loose clothes, jewelry, or long hair can be drawn into air vents.
- **Do not use on a ladder or unstable support.** Stable footing on a solid surface enables better control of the product in unexpected situations.

PROPANE HEATER USE AND CARE

- **Do not use the product if switch does not turn it on or off.** A product that cannot be controlled with the switch is dangerous and must be repaired.
- **Disconnect battery pack or extension cord from the product or place the switch in the locked or off position before making any adjustments, changing accessories, or storing the product.** Such preventive safety measures reduce the risk of starting the product accidentally.
- **When battery pack is not in use, keep it away from other metal objects like: paper clips, coins, keys, nails, screws, or other small metal objects that can make a connection from one terminal to another.** Shorting the battery terminals together may cause sparks, burns, or a fire.
- **Keep the product and its handle dry, clean, and free from oil and grease.** Always use a clean cloth when cleaning. Never use brake fluids, gasoline, petroleum-based products, or any strong solvents to clean your product. Following this rule will reduce the risk of loss of control and deterioration of the enclosure plastic.
- **To reduce the risk of electric shock, do not use this product near water, especially when it is powered by the power cord.**
- **Clean only with dry cloth.**
- **Do not operate near any other heat sources such as radiators, heat registers, stoves, or other apparatus (including amplifiers) that produce heat.**

SERVICE




- **Propane heater service must be performed only by qualified repair personnel.** Service or maintenance performed by unqualified personnel may result in a risk of injury.
- **When servicing a propane heater, use only identical replacement parts. Follow instructions in the *Maintenance* section of this manual.** Use of unauthorized parts or failure to follow *Maintenance* Instructions may create a risk of shock or injury.

PORTABLE PROPANE HEATER SAFETY WARNINGS








- **Know your product.** Read operator's manual carefully. Learn its applications and limitations, as well as the specific potential hazards related to this product. Following this rule will reduce the risk of electric shock, fire, or serious injury.
 - **Battery tools do not have to be plugged into an electrical outlet; therefore, they are always in operating condition.** Be aware of possible hazards when not using your battery tool or when changing accessories. Following this rule will reduce the risk of electric shock, fire, or serious personal injury.
 - **Do not place propane heaters or their batteries near fire or heat.** This will reduce the risk of explosion and possibly injury.
 - **Do not crush, drop, or damage battery pack. Do not use a battery pack or charger that has been dropped or received a sharp blow.** A damaged battery is subject to explosion. Properly dispose of a dropped or damaged battery immediately.
 - **Batteries can explode in the presence of a source of ignition, such as a pilot light.** To reduce the risk of serious personal injury, never use any cordless product in the presence of open flame. An exploded battery can propel debris and chemicals. If exposed, flush with water immediately.
 - **Do not charge battery tool in a damp or wet location. Do not use, store, or charge battery packs or products in locations where the temperature is less than 50°F or more than 100°F.** Do not store outside or in vehicles. **40°C?**
 - **Under extreme usage or temperature conditions, battery leakage may occur. If liquid comes in contact with your skin, wash immediately with soap and water, then neutralize with lemon juice or vinegar. If liquid gets into your eyes, flush them with clean water for at least 10 minutes, then seek immediate medical attention.** Following this rule will reduce the risk of serious personal injury.
 - **Do not incinerate the battery even if it is severely damaged.** The batteries can explode in a fire.
 - **To reduce the risk of fire or electric shock, do not use this product with any solid-state speed control device.**
 - **Not for use in kitchens, bathrooms, or other places where water may be present.**
 - **For general ventilating use only.** Do not use to exhaust hazardous or explosive materials and vapors.
 - **Make sure your extension cord is in good condition.** When using an extension cord, be sure to use one heavy enough to carry the current your product will draw. A wire gauge size (A.W.G.) of at least 16 is recommended for an extension cord 100 feet or less in length. A cord exceeding 100 feet is not recommended. If in doubt, use the next heavier gauge. The smaller the gauge number, the heavier the cord. An undersized cord will cause a drop in line voltage resulting in loss of power and overheating.
 - **To reduce the risk of personal injury and electric shock, the product should not be played with or placed where small children can reach it.**
 - **To reduce the risk of electric shock, do not expose to water or rain.**
 - **Never attempt to power the device with a battery pack and extension cord at the same time.**
 - **The minimum surrounding air temperature rating for this heater is 0°F (-17°C).**
 - **Not for use with ductwork.**
- When using propane:**
- Use the forced air heater only with propane and the regulator/valve assembly supplied.
 - The hose assembly shall be protected from traffic, building materials, and contact with hot surfaces both during use and while in storage.
 - Check for leaks prior to forced air heater operation. Do this even if this forced air heater was assembled at the store.
 - Do not operate the forced air heater if there is a gas leak present.
 - Never use a flame to check for gas leaks.
 - Propane gas is not natural gas. Do not try to convert this forced air heater to natural gas as it will void the warranty and is extremely dangerous.
 - Place dust cap on cylinder valve outlet whenever the cylinder is not in use. Only install the type of dust cap on the cylinder valve outlet that is provided with the cylinder valve. Other types of caps or plugs may result in leakage of propane.
 - Do not store propane cylinders, gasoline, or other flammable liquids in the vicinity of the forced air heater.
 - Shut down the forced air heater and allow to cool for five minutes before changing the propane cylinder.
 - Do not smoke when attaching or removing the propane cylinder.
 - **Save these instructions.** Refer to them frequently and use them to instruct others who may use this tool. If you loan someone this tool, loan them these instructions also.

SYMBOLS

The following signal words and meanings are intended to explain the levels of risk associated with this product.

SYMBOL	SIGNAL	MEANING
	DANGER:	Indicates a hazardous situation, which, if not avoided, will result in death or serious injury.
	WARNING:	Indicates a hazardous situation, which, if not avoided, could result in death or serious injury.
	CAUTION:	Indicates a hazardous situation, that, if not avoided, may result in minor or moderate injury.
	NOTICE:	(Without Safety Alert Symbol) Indicates information considered important, but not related to a potential injury (e.g. messages relating to property damage).

Some of the following symbols may be used on this product. Please study them and learn their meaning. Proper interpretation of these symbols will allow you to operate the product better and safer.

SYMBOL	NAME	DESIGNATION/EXPLANATION
	Safety Alert	Indicates a potential personal injury hazard.
	Read Operator's Manual	To reduce the risk of injury, user must read and understand operator's manual before using this product.
	Wet Conditions Alert	Do not expose to rain or use in damp locations.
	Toxic Fumes	Running a propane heater gives off carbon monoxide, an odorless, colorless, poison gas. Breathing carbon monoxide can cause nausea, fainting, or death.
	Hot Surface and Exhaust Gases	To reduce the risk of injury or damage, avoid contact with any hot surface and do not place any body parts in the path of hot exhaust gases.
	Recycle Symbol	This product uses lithium-ion (Li-ion) batteries. Local, state or federal laws may prohibit disposal of batteries in ordinary trash. Consult your local waste authority for information regarding available recycling and/or disposal options.
V	Volts	Voltage
A	Amperes	Current
Hz	Hertz	Frequency (cycles per second)
W	Watt	Power
min	Minutes	Time
≡	Direct Current	Type or a characteristic of current
~	Alternating Current	Type of current
	Class II Tool	Double-insulated construction

ELECTRICAL

DOUBLE INSULATION

Double insulation is a concept in safety in electric products, which eliminates the need for the usual three-wire grounded power cord. All exposed metal parts are isolated from the internal metal motor components with protecting insulation. Double insulated products do not need to be grounded.

WARNING:

The double insulated system is intended to protect the user from shock resulting from a break in the product's internal wiring. Observe all normal safety precautions to avoid electrical shock.

NOTE: Servicing of a product with double insulation requires extreme care and knowledge of the system and should be performed only by a qualified service technician. For service, we suggest you return the product to your nearest authorized service center for repair. Always use original factory replacement parts when servicing.

ELECTRICAL CONNECTION

This product should be connected to a **power supply that is 120 volts, AC only (normal household current), 60 Hz.** Do not operate this product on direct current (DC) through the power cord. A substantial voltage drop will cause a loss of power and the motor will overheat. If the product does not operate when plugged into an outlet, double-check the power supply.

EXTENSION CORDS

When using a product at a considerable distance from a power source, be sure to use an extension cord that has the capacity to handle the current the product will draw. An undersized cord will cause a drop in line voltage, resulting in overheating and loss of power. Use the chart to determine the minimum wire size required in an extension cord. Only round jacketed cords listed by Underwriter's Laboratories (UL) should be used.

When using this product outdoors, use an extension cord that is designed for outside use. This type of cord is designated with "WA" or "W" on the cord's jacket.

Before using any extension cord, inspect it for loose or exposed wires and cut or worn insulation.

**Ampere rating (on product data plate)

Cord Length	Wire Size (A.W.G.)					
	0-2.0	2.1-3.4	3.5-5.0	5.1-7.0	7.1-12.0	12.1-16.0
25'	16	16	16	16	14	14
50'	16	16	16	14	14	12
100'	16	16	14	12	10	—

**Used on 12 gauge - 20 amp circuit

NOTE: AWG = American Wire Gauge

WARNING:

Keep the extension cord clear of the working area. Position the cord so that it will not get caught on lumber, tools, or other obstructions while you are working with this product. Failure to do so can result in serious personal injury.

WARNING:

Check extension cords before each use. If damaged replace immediately. Never use a product with a damaged cord since touching the damaged area could cause electrical shock resulting in serious injury.

WARNING:

To reduce the risk of electric shock, use only with an extension cord intended for outdoor use, such as an extension cord of cord type SW-A, SOW-A, STW-A, STOW-A, SJW-A, SJOW-A, SJTW-A. or SJTOW-A.

FEATURES

PRODUCT SPECIFICATIONS

Dual Power Source..... 18 Volt Battery
or 120 Volts, AC only, 60Hz

Output30,000–60,000 BTU
Fuel Source Propane (not included)

TOOLS NEEDED

The following tools (not included) are needed for assembly and making adjustments:

Adjustable wrench

ASSEMBLY

UNPACKING

This product requires assembly.

- Carefully remove the tool and any accessories from the box. All items listed in the **Includes** section must be included at the time of purchase.

WARNING:

Items in this **Assembly** section are not assembled to the product by the manufacturer and require customer installation. Use of a product that may have been improperly assembled could result in serious personal injury.

- If any parts are damaged or missing, please call 1-800-525-2579 for assistance.

WARNING:

If any parts are damaged or missing do not operate this product until the parts are replaced. Use of this product with damaged or missing parts could result in serious personal injury.

WARNING:

Do not attempt to modify this product or create accessories or attachments not recommended for use with this product. Any such alteration or modification is misuse and could result in a hazardous condition leading to possible serious personal injury.

ATTACHING THE HANDLE

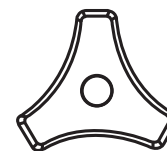
See *Figure 1, page 13.*

- Turn the propane heater OFF.
- Align the tab on the bottom of the handle to the slot in the top of the heater.
- NOTE: The screw holes in the handle and the heater should also align when the handle is oriented properly.
- Use the provided screws (4) to attach the handle to the heater.
- Tighten each screw securely.

USING PROPANE (LIQUID PROPANE ALSO CALLED LIQUID PETROLEUM)

Propane is highly flammable and may ignite unexpectedly when mixed with air. The propane cylinder used with this forced air heater must meet the following requirements:

- Constructed and marked in accordance with the *Specifications for LP Gas Cylinders* of the U.S. Department of Transportation (D.O.T.) or the National Standard of Canada, *CAN/CSA-B339, Cylinders, Spheres, and Tubes for Transportation of Dangerous Goods and Commission.*
- Measurements: 12 in. diameter x 18 in. tall with 20 lb. maximum capacity.
- Cylinder valve must have:
 - — Cylinder connection device (Type 1) compatible with the connector for the propane heater
 - — Safety relief valve



OPD HANDWHEEL

ASSEMBLY

- — UL listed Overfill Protection Device (OPD). This OPD safety feature is identified by a unique triangular handwheel. Use only propane cylinders with this type of valve.
- Arranged for vapor withdrawal and include collar to protect propane cylinder valve. Always keep propane cylinder in upright position during use, transport, or storage.

TESTING THE PROPANE CYLINDER

See Figure 2, page 13.

- Make sure the propane cylinder is disconnected from the propane hose and regulator.
- Using a clean paint brush and a 50/50 mixture of mild soap and water, brush soapy solution over areas indicated by arrows in figure 1.
- “Growing” bubbles indicate a leak. Do not use or move the propane cylinder. Contact a gas supplier or the fire department!
- If you see, smell, or hear the hiss of escaping gas from the propane cylinder:
 - Move away from propane cylinder
 - Do not attempt to correct the problem yourself
 - Call your local fire department
- If no leaks are present, you may proceed to install and connect the propane cylinder.

CONNECTING THE PROPANE CYLINDER

See Figures 3 - 6, pages 13 - 14.

To connect:

- Using an adjustable wrench (not provided), screw the open end of the propane hose to the propane inlet on the heater. Tighten securely.

NOTE: For first time use, remove the rubber protector cap that protects the propane inlet during shipment. Retain the rubber cap and reinstall to prevent damage to the propane inlet and when storing the heater.

- Make sure the handwheel on the propane cylinder is in its full off position, then remove the cap from the cylinder valve.
- Hold the regulator firmly and insert the nipple into the cylinder valve.

NOTE: Nipple must be centered in the cylinder valve.

- Holding coupling nut and regulator as shown, turn coupling nut counterclockwise and tighten by hand, taking care not to cross-thread the connection. Do not use tools.

NOTE: The regulator threads are left handed. The regulator will seal in the cylinder valve resulting in some resistance.

An additional one-half to three-quarters turn is required to complete the connection. If you cannot complete the connection, disconnect and repeat the above two steps. If you still cannot complete the connection, DO NOT use this regulator!

- Inspect valve connection port and regulator. Look for any damage or debris. Remove any debris. Inspect hose for damage. **Never attempt to use damaged or plugged equipment. See your local propane dealer for repairs.**

To disconnect:

- Hold regulator firmly and turn coupling nut clockwise to remove.
- Place cap on cylinder valve outlet whenever the cylinder is not in use.

NOTE: Only install on the cylinder valve outlet the type of cap that is provided with the cylinder valve. Other types of caps or plugs may result in leakage of propane.

TESTING VALVES, HOSE, AND REGULATOR FOR LEAKS

DANGER:

DO NOT smoke or use an open flame during leak test. If a leak is present, the gas could ignite and result in serious personal injury.

WARNING:

To avoid serious personal injury, always check for gas leaks any time the propane cylinder is disconnected and then reconnected.

Connections on the hose and regulator were tested at the factory to ensure no gas leaks were present. However, shipping and handling could loosen connections. As a safety precaution:

- Turn the propane heater off.
- Make sure the regulator is properly connected to the propane cylinder.
- Turn handwheel counterclockwise to open the cylinder valve.

NOTE: If you hear a *rushing* sound, immediately turn off the cylinder valve. This sound means there is a major leak at the connection. Correct the problem before proceeding.

- Using a clean paint brush and a 50/50 mixture of mild soap and water, brush soapy solution over all the connections and fittings on the product, along the hose, and at the propane cylinder.
- “Growing” bubbles indicate a leak. Close the cylinder valve then retighten all connections.

NOTE: If leaks cannot be stopped, do not try to repair. Call for replacement parts.

- If you are not using the propane heater immediately after the leak test, close the cylinder valve by turning the valve clockwise.

OPERATION

WARNING:

Do not allow familiarity with tools to make you careless. Remember that a careless fraction of a second is sufficient to inflict serious injury.

WARNING:

Do not use any attachments or accessories not recommended by the manufacturer of this tool. The use of attachments or accessories not recommended can result in serious personal injury.

WARNING:

Risk of fire. Never position heater at a downward angle or towards combustible materials. This heater must be located away from combustible surfaces by no less than 24 inches from rear and sides of heater and 72 inches from above and front outlet of heater. Heater must be placed on a level surface and the flow of combustion and ventilation air not be obstructed.

APPLICATIONS

You may use this tool for the purpose listed below:

- General heating of outdoor spaces and most construction sites with adequate ventilation

NOTICE:

This product is designed to be powered by either a Ryobi 18V battery pack (DC mode) or by electric power (AC mode). Either power source can be used by installing an approved battery pack or power cord into the product as described in this manual.

INSTALLING/REMOVING BATTERY PACK

See Figure 7, page 14.

- Insert the battery pack into the product as shown.
- Make sure the latches on each side of the battery pack snap into place and the battery pack is secured before beginning operation.

- Depress the latches to remove the battery pack.

For complete charging instructions, see the operator's manuals for your battery pack and charger.

WARNING:

Always remove battery pack or unplug power cord from your product when you are assembling parts, making adjustments, cleaning, or when not in use. Removing battery pack or unplugging power cord will prevent accidental starting that could cause serious personal injury.

INSTALLING/REMOVING POWER CORD (NOT INCLUDED)

See Figure 8, page 15.

- Insert the female end of a 16 AWG rated outdoor extension cord into the product as shown.
- Connect the male end of the extension cord to the power source.
- Make sure the extension cord is secured before beginning operation.

STARTING/STOPPING THE HEATER

See Figure 9, page 15.

WARNING:

Position the heater properly before use. Locate heater on stable and level surface if heater is running and at least (USA) 7 ft. (2.13 m) and (CAN) 10 ft (3 m) from and not directed toward LP (propane) containers within 20 feet.

The heater should be inspected before each use, and at least annually by a qualified service person.

To start:

- Make sure the propane tank is properly connected, a leak test has been performed, and the tank valve is fully turned on.
- NEVER direct the heater toward the propane tank. Position the propane tank behind the heater with the propane hose fully extended to its longest length.
- Connect the heater to a power cord or approved battery pack.

OPERATION

- Press the ON/OFF button. The fan will turn on and the first gas valve will open. The LED will display solid red and then then displays green when the burner is ready to be ignited. The flashing green LED is a timer set for 10 seconds to allow the thermostat time to heat up to the operating range after the burner is lit.
- Press the electronic ignition button and the second valve will open to the burner. Hold until the LED displays a solid green. Release the igniter button and the burner should remain lit.

NOTE: If the burner doesn't remain lit, wait 30 seconds and repeat the starting steps, making sure the electronic ignition button is pressed immediately after it begins flashing green and held until the LED displays a solid green to lock the gas valve in the on position. If it still fails to ignite, check fuel level in the propane cylinder.

NOTE: A solid red LED indicates a fault condition. Contact Customer Service for assistance.

To stop:

- Press the ON/OFF button. The heater will automatically shut down.
- Turn the handwheel on the propane cylinder to the fully off position.
- Remove the regulator and propane hose from the propane cylinder and replace the cap on the cylinder.
- Remove the power cord or battery from the unit.

To restart:

- Allow the unit to cool for 5 minutes.
- Follow the steps under **Starting/Stopping the Heater**.

NOTICE:

The unit may relight immediately if the ON/OFF button is pressed less than 5 minutes after shutdown and the gas valve hasn't had sufficient time to cool completely. Make sure the heater is placed in a safe position before pressing the ON/OFF button.

TEMPERATURE CONTROL

See *Figure 9, page 15*.

The temperature control knob controls the flow rate of the propane for the variable heat output. The temperature control adjusts from 30,000 to 60,000 BTU.

- To increase the temperature, turn the temperature control knob clockwise.
- For a lower temperature, turn the temperature control knob counterclockwise.

AUTO SHUT OFF

The gas valve will automatically shut off during any of the following conditions:

- **Flame out** — If the propane tank is empty or the flame is accidentally extinguished.
- **Over temperature** — If the flow of air becomes blocked or the temperature inside the unit is too high, the first valve will automatically shut off and the LED will flash red. The heater can be relit after the thermostat cools down.
NOTE: A flashing red LED indicates an operation error. Make sure air flow is not restricted. Turn off the unit and restart.
- **Low voltage** — such as a power outage or a low battery.
- **Improper fan rotation** — If the fan is not rotating properly, the unit will automatically shut off and the LED will display solid red. The LED will remain solid red and the unit will shut off before igniting if there is still an issue with the fan. If the fan battery is drained, the system will shut off the valve.

STORAGE

Always remove the propane cylinder, propane hose and regulator, battery pack, and/or power cord from the unit when storing. Reinstall the rubber protector cap to the propane inlet to avoid damage and prevent debris or insects from entering the gas line. Always store the unit indoors.

NOTE: MAINTENANCE INFORMATION BEGINS ON PAGE 12 AFTER FRENCH AND SPANISH LANGUAGE SECTIONS. ILLUSTRATIONS START ON PAGE 13.

INSTRUCTIONS IMPORTANTES CONCERNANT LA SÉCURITÉ

DANGER :

Monoxyde de Carbone. Utiliser un appareil de chauffage au propane à l'intérieur d'un bâtiment CAUSERA LA MORT EN QUELQUES MINUTES.

Le tuyau d'échappement de la appareil de chauffage au propane contient un niveau élevé de monoxyde de carbone (CO), lequel s'avère être un gaz poison inodore et invisible. Si vous pouvez sentir les gaz du tuyau d'échappement de la appareil de chauffage au propane, vous respirez du CO. Mais, même si vous ne pouvez pas sentir les gaz provenant du tuyau d'échappement, vous pourriez être en train de respirer du CO.

■ Ne jamais utiliser un appareil de chauffage au propane à l'intérieur d'une maison, des garages, des petits espaces, véhicules récréatifs ou autres aires restreintes partiellement fermées. Des niveaux mortels de monoxyde de carbone peuvent s'accumuler dans ces aires restreintes. Utiliser un ventilateur ou ouvrir une fenêtre ou les portes NE fournissent PAS assez d'air frais à respirer.

■ Utilisez SEULEMENT la appareil de chauffage au propane à l'extérieur et loin des fenêtres ouvertes, des portes ouvertes, et des bouches d'aérations. Ces ouvertures peuvent tirer l'air provenant du tuyau d'échappement.

La bouteille de propane doit être située à l'extérieur pendant l'utilisation, sauf lors de la construction ou de la rénovation de bâtiments inoccupés par le public.

Même si vous utilisez un appareil de chauffage au propane correctement, des gaz CO peuvent toujours s'infiltrer dans la maison. TOUJOURS utiliser une alarme de monoxyde de carbone à piles dans votre maison.

Si vous commencez à vous sentir malade, étourdi ou faible, ou si vous avez un mal de tête après que l'appareil de chauffage au propane a fonctionné, trouvez de l'air frais IMMÉDIATEMENT. Consultez un médecin. Vous pourriez avoir un empoisonnement au monoxyde de carbone. Ne dormez pas pendant que l'appareil de chauffage au propane fonctionne.

DANGER :

Si une odeur de gaz propane se dégage, fermer l'alimentation en gaz propane de la appareil de chauffage au propane au niveau de la bouteille de propane. Si l'odeur persiste, s'éloigner du appareil de chauffage au propane et appeler immédiatement le fournisseur de gaz propane ou le service des incendies.

AVERTISSEMENT :

RISQUES D'INCENDIE, DE BRÛLURE, D'INHALATION ET D'EXPLOSION. GARDEZ LES MATÉRIAUX COMBUSTIBLES TELS QUE LES MATÉRIAUX DE CONSTRUCTION, LE PAPIER OU LE CARTON À UNE DISTANCE SÉCURITAIRE DE L'APPAREIL DE CHAUFFAGE TEL QU'ON LE RECOMMANDE DANS LES DIRECTIVES. N'UTILISEZ JAMAIS L'APPAREIL DE CHAUFFAGE DANS DES ESPACES QUI CONTIENNENT OU PEUVENT CONTENIR DES COMBUSTIBLES VOLATILS OU AÉROPORTÉS, OU DES PRODUITS TELS QUE DU GAZ, DES SOLVANTS, DU DILUANT, DES PARTICULES DE POUSSIÈRE OU DES PRODUITS CHIMIQUES INCONNUS.

AVERTISSEMENT :

RISQUE D'INCENDIE, DE BRÛLURE, D'INHALATION ET D'EXPLOSION. NE PAS PLACER SUR DES MATÉRIAUX COMBUSTIBLES, TELS QUE LES MATÉRIAUX DE CONSTRUCTION, LE BOIS, LE PAPIER OU LE CARTON, OU SUR DES MATÉRIAUX SUJETS À LA DÉSINTÉGRATION EN RAISON D'UNE EXPANSION, TELS QUE LE BÉTON.

AVERTISSEMENT :

POUR USAGE EXTÉRIEUR SEULEMENT

AVERTISSEMENT :

LE NON-RESPECT DES PRÉCAUTIONS ET DES DIRECTIVES FOURNIES AVEC CET APPAREIL DE CHAUFFAGE PEUT CAUSER LA MORT, DES BLESSURES GRAVES ET DES DOMMAGES OU PERTES MATÉRIELS À CAUSE DE RISQUES D'INCENDIE, D'EXPLOSION, DE BRÛLURE, D'ASPHYXIE, D'EMPOISONNEMENT AU MONOXYDE DE CARBONE OU DE DÉCHARGE ÉLECTRIQUE.

SEULEMENT LES PERSONNES QUI PEUVENT COMPRENDRE ET SUIVRE LES INSTRUCTIONS DEVRAIENT UTILISER OU UTILISER CE CHAUFFAGE.

SI VOUS AVEZ BESOIN D'INFORMATIONS D'ASSISTANCE OU DE CHAUFFAGE COMME MANUEL D'INSTRUCTIONS, ÉTIQUETTE, ETC. CONTACTER LE FABRICANT.

INSTRUCTIONS IMPORTANTES CONCERNANT LA SÉCURITÉ

AVERTISSEMENT :

N'UTILISEZ PAS L'APPAREIL DE CHAUFFAGE DANS UNE MAISON OU DANS UN VÉHICULE RÉCRÉATIF.

AVERTISSEMENT :

Danger lié à la qualité de l'air :

- Ne pas utiliser cet appareil de chauffage pour chauffer des locaux d'habitation.
- L'utilisation d'appareils de chauffage à combustion directe dans un environnement de construction peut entraîner l'exposition à des niveaux de monoxyde de carbone, de dioxyde de carbone et de dioxyde d'azote considérés nocifs pour la santé et potentiellement mortels.
- Ne pas utiliser dans des zones non aérées.
- Apprendre à reconnaître les signes d'intoxication au monoxyde de carbone et au dioxyde de carbone.
 - Maux de tête et yeux qui piquent ;
 - Vertiges et désorientation ;
 - Difficulté à respirer et sensation d'étouffement.
- Un renouvellement d'air de ventilation adéquat (OSHA 29 CFR 1926.57) pour favoriser la combustion et maintenir une qualité d'air acceptable doit être assuré conformément à la norme OSHA 29 CFR Partie 1926.154, ANSI A10.10 Exigences sécuritaires relatives aux appareils et dispositifs générateurs de chaleur temporaires et portatifs utilisés dans l'industrie de la construction ou dans les codes d'installation du gaz naturel et du propane CSA B149.1.
- Surveiller périodiquement les niveaux de monoxyde de carbone, de dioxyde de carbone et de dioxyde d'azote sur le chantier de construction, au moins au début du quart de travail et après 4 heures.
- Assurer un renouvellement d'air de ventilation, naturel ou mécanique, au besoin, afin de maintenir une qualité d'air intérieur acceptable.

AVERTISSEMENT :

Il doit y avoir une ventilation adéquate. Pendant l'utilisation de l'appareil de chauffage, il doit y avoir une ouverture d'au moins 0,19 m² (2 pi²) près du plancher et près du plafond pour l'aération. Ne dormez pas pendant que l'appareil de chauffage fonctionne.

AVERTISSEMENT :

LIRE ET CONSERVER CES INSTRUCTIONS. Le non respect de toutes les instructions ci-dessous peut entraîner un choc électrique, un incendie et / ou des blessures graves.

CONSERVER CES INSTRUCTIONS

Lors de l'utilisation le gaz de propane :

- Cet produit de propane doit être installé conformément aux plus récents codes locaux. En l'absence de tels codes, utiliser :
 - États-Unis :
 - National Fuel Gas Code, la norme de l'American National Standards Institute ANSI Z223.1/de la National Fire Protection Association NFPA 54
 - LP gas Code, la norme NFPA 58
 - Canada :
 - le Code d'Installation du gaz naturel et du propane, la norme de l'Association canadienne de normalisation CSA B149.1
 - le Code d'Installation du gaz naturel et du propane, la norme de l'Association canadienne de normalisation CSA B149.1
- Un renouvellement d'air de ventilation adéquat (**OSHA 29 CFR 1926.57**) pour favoriser la combustion et maintenir une qualité d'air acceptable doit être assuré conformément à la norme **OSHA 29 CFR Partie 1926.154, ANSI A10.10 Exigences sécuritaires relatives aux appareils et dispositifs générateurs de chaleur temporaires et portatifs** utilisés dans l'industrie de la construction ou dans les codes d'installation du gaz naturel et du propane CSA B149.1.
- Surveiller périodiquement les niveaux de CO, de CO₂ et de NO₂ existants sur le chantier; au minimum au début du quart de travail et après 4 heures.
- Assurer un renouvellement d'air de ventilation, naturel ou mécanique, au besoin, afin de maintenir une qualité d'air intérieur acceptable.
- Toujours couper la sortie de gaz sur la bouteille de propane (le propane liquide est également appelé gaz de pétrole liquéfié) lorsque le produit n'est pas utilisé. Débrancher la bouteille avant d'entreposer le produit.
- Laisser le moteur refroidir pour 30 minutes et retirer la bouteille de gaz de propane avant de remiser l'outil. Ne pas entreposer de bouteilles de propane de rechange fixé sur ou à proximité de le produit. En cas de non-respect de ces instructions, un incendie peut entraîner la mort ou des blessures graves.
- Avant d'utiliser le produit, vérifier l'état du tuyau flexible. Si le tuyau montre des signes d'abrasion ou d'usure excessive, ou s'il est coupé, le remplacer avant d'utiliser le produit. Le tuyau de remplacement doit être conforme aux indications du fabricant de le produit. Utiliser uniquement le tuyau de remplacement numéro de pièce TYQ-5B1-QG005
- Cet appareil de chauffage doit être placé sur une surface plane et stable, et l'arrière et les côtés de l'appareil doivent être situés à au moins 609,60 mm (24 po) des surfaces combustibles alors que l'avant et le dessus de l'appareil doivent être situés à 182,88 cm (72 po) des surfaces combustibles.
- Ne jamais remplir la bouteille de propane au-delà de 80 % de sa capacité. Une bouteille trop remplie ou rangée de façon inappropriée constitue un danger en raison de

INSTRUCTIONS IMPORTANTES CONCERNANT LA SÉCURITÉ

la possibilité de fuite de gaz provenant de la soupape de sûreté. En cas de non-respect de ces instructions, un incendie peut entraîner la mort ou des blessures graves.

- N'utiliser que des bouteilles de propane dont la vanne est protégée par un collet.
- Si une fuite est détectée, s'éloigner de la bouteille de propane et appeler le service des incendies.
- Ne pas utiliser le produit avant d'avoir vérifié et confirmé son étanchéité.
- Les bouteilles propane doivent être entreposées à l'extérieur, hors de la portée des enfants. Elles ne doivent pas être entreposées dans un bâtiment, un garage ou un autre espace confiné.
- Ne pas opérer à une altitude supérieure à 610 m (2 000 pi).

LIEU DE TRAVAIL

- **Garder le lieu de travail propre et bien éclairé.** Les établis encombrés et les endroits sombres sont propices aux accidents.
- **Ne pas utiliser de produit portatifs électriques dans des atmosphères explosives, par exemple en présence de liquides, gaz ou poussières inflammables.** Les produits électriques produisent des étincelles risquant d'enflammer les poussières ou vapeurs.

SÉCURITÉ ÉLECTRIQUE

- **Les piles des produits électriques, qu'elles soient intégrées ou amovibles, ne doivent être rechargées qu'avec l'appareil spécifié.** Un chargeur approprié pour un type de pile peut créer un risque d'incendie s'il est utilisé avec un autre type de pile.
- **Utiliser exclusivement le blocs-piles spécifiquement indiqué pour le produit.** L'usage de tout autre bloc peut créer un risque d'incendie.
- **Utiliser ce produit seulement avec la piles et le chargeurs indiqués dans le supplément de raccordement pour chargeur/outils/piles/appareil n° 987000-432.**
- **Protéger le cordon d'alimentation pour que personne ne marche dessus ou ne le pince, en particulier au niveau des fiches, des prises de courant et des points où il sort de l'appareil.**
- **Débrancher cet appareil pendant les orages électriques ou lorsque l'outil n'est pas utilisé.**

SÉCURITÉ PERSONNELLE

- **Porter une tenue appropriée. Ne porter ni vêtements amples, ni bijoux. Attacher ou couvrir les cheveux longs. Garder les cheveux, les vêtements et les gants à l'écart des pièces en mouvement.** Les vêtements amples, bijoux et cheveux longs peuvent se prendre dans les pièces en mouvement.
- **Éviter les démarrages accidentels. S'assurer que la gâchette est verrouillée en position d'arrêt avant d'insérer le blocs-piles o cordon prolongateur.** Le transport du produit avec le doigt sur le commutateur ou l'insertion du blocs-piles o cordon prolongateur avec le commutateur en position de marche est une invite aux accidents.

- **Ne pas travailler hors de portée. Toujours se tenir bien campé et en équilibre.** Une bonne tenue et un bon équilibre permettent de mieux contrôler le produit en cas de situation imprévue.
- **Ne porter ni vêtements amples, ni bijoux. Attacher ou couvrir les cheveux longs.** Les vêtements amples, bijoux et cheveux longs peuvent se prendre dans les ouïes d'aération.
- **Ne pas utiliser le produit sur une échelle ou un support instable.** Une bonne tenue et un bon équilibre permettent de mieux contrôler le produit en cas de situation imprévue.

UTILISATION ET ENTRETIEN DE LE APPAREIL DE CHAUFFAGE AU PROPANE PORTATIF

- **Ne pas utiliser le produit si le commutateur ne permet pas de le mettre en marche ou de l'arrêter.** Un produit qui ne peut pas être contrôlé par son commutateur est dangereux et doit être réparé.
- **Déconnecter le blocs-piles o cordon prolongateur et mettre le commutateur en position d'arrêt ou de verrouillage avant d'effectuer des réglages, de changer d'accessoire ou de remiser le produit.** Ces mesures de sécurité réduisent les risques de démarrage accidentel du produit.
- **Lorsque le blocs-piles n'est pas en usage, le tenir à l'écart d'articles métalliques tels que : les attaches trombones, pièces de monnaie, clous, vis et autres petits objets métalliques risquant d'établir le contact entre les deux bornes.** La mise en court-circuit des bornes de piles peut causer des étincelles, des brûlures ou un incendie.
- **Garder le produit et sa poignée secs, propres et exempts d'huile ou de graisse.** Toujours utiliser un chiffon propre pour le nettoyage. Ne jamais utiliser de liquide de freins, d'essence, de produits à base de pétrole ou de solvants forts pour nettoyer le produit. Le respect de ces règles réduira les risques de perte de contrôle et d'endommagement du boîtier en plastique.
- **Pour réduire le risque de décharge électrique, ne pas utiliser le produit près de l'eau surtout s'il est alimenté par le cordon d'alimentation.**
- **Ne nettoyer l'appareil qu'avec un chiffon sec.**
- **Ne pas installer l'appareil près de sources de chaleur telles que radiateurs, bouches de chaleurs, poêles ni d'autres appareils (y compris les amplificateurs) qui produisent de la chaleur.**

DÉPANNAGE




- **Le dépannage des produits doit être confié exclusivement à un personnel qualifié.** Les réparations ou entretiens effectués par des personnes non qualifiées présentent des risques de blessures.
- **Utiliser exclusivement des pièces identiques à celles d'origine pour les réparations. Se conformer aux instructions de la section Entretien de ce manuel.** L'usage de pièces non autorisées ou le non-respect des instructions peut présenter des risques de choc électrique ou de blessures.

AVERTISSEMENTS DE SÉCURITÉ RELATIFS APPAREIL DE CHAUFFAGE AU PROPANE PORTATIF








- **Apprendre à connaître le appareil de chauffage au propane. Lire attentivement le manuel d'utilisation. Apprendre les applications et les limites du produit, ainsi que les risques spécifiques relatifs à son utilisation.** Le respect de cette consigne réduira les risques d'incendie, de choc électrique et de blessures graves.
 - **Les outils fonctionnant sur piles n'ayant pas besoin d'être branchés sur une prise de courant, ils sont toujours en état de fonctionnement.** Tenir compte des dangers possibles lorsque l'produit n'est pas en usage et lors du remplacement des piles. Le respect de cette consigne réduira les risques d'incendie, de choc électrique et de blessures graves.
 - **Ne pas placer les appareil de chauffage au propane ou leurs piles à proximité de flammes ou d'une source de chaleur.** Ceci réduira les risques d'explosion et de blessures.
 - **Ne pas écraser, faire tomber ou endommager le bloc de piles. Ne pas utiliser un bloc de piles ou un chargeur endommagé ou soumis à un choc violent.** Une pile endommagée risque d'exploser. Éliminer immédiatement toute pile endommagée, selon une méthode appropriée.
 - **Les piles peuvent exploser en présence d'une source d'allumage, telle qu'une veilleuse.** Pour réduire les risques de blessures graves, ne jamais utiliser un appareil sans fil, quel qu'il soit, en présence d'une flamme vive. En explosant, une pile peut projeter des débris et des produits chimiques. En cas d'exposition, rincer immédiatement les parties atteintes avec de l'eau.
 - **Ne pas recharger un outil fonctionnant sur piles dans un endroit humide ou mouillé. Ne pas utiliser, remiser ou charger le bloc-piles ou produits dans des emplacements où la température est inférieure 10 °C (50 °F) à ou supérieure à 38 °C (100 °F).** Ne pas ranger l'outil à l'extérieur ou dans un véhicule.
 - **Si le produit est utilisé de façon intensive ou sous des températures extrêmes, des fuites de pile peuvent se produire. En cas de contact du liquide avec la peau, rincer immédiatement la partie atteinte avec de l'eau savonneuse, puis neutraliser avec du jus de citron ou du vinaigre. En cas d'éclaboussure dans les yeux, les rincer à l'eau fraîche pendant au moins 10 minutes, puis contacter immédiatement un médecin.** Le respect de cette consigne réduira les risques de blessures graves.
 - **Ne pas incinérer le piles même s'il est très endommagé.** Les piles peuvent exploser dans le feu.
 - **Pour réduire les risques d'incendie et de choc électrique, ne pas utiliser de produit avec un dispositif de contrôle de vitesse à circuit solide.**
 - **Ne pas utiliser dans les cuisines, salles de bain ou autres endroits où il y a présence d'eau.**
 - **S'assurer que le cordon prolongateur est en bon état. Si un cordon prolongateur est utilisé, s'assurer que sa capacité est suffisante pour supporter le courant de fonctionnement de l'outil. Un calibre de fil (A.W.G) d'au minimum 16 est recommandé pour un cordon prolongateur de 30 m (100 pi) maximum. L'usage d'un cordon de plus de 30 m (100 pi) est déconseillé. En cas de doute, utiliser un cordon du calibre immédiatement supérieur. Moins le numéro de calibre est élevé, plus la capacité du fil est grande.** Un cordon de capacité insuffisante causerait une baisse de la tension de ligne, entraînant une perte de puissance et une surchauffe.
 - **Pour réduire le risque de blessure et de chocs électriques, le produit ne doit pas être utilisé comme un jouet ou placé à portée des enfants.**
 - **Pour réduire le risque de chocs électriques, ne pas exposer à l'eau ou à la pluie.**
 - **Ne jamais tenter de mettre simultanément le dispositif sous tension par le bloc-piles et le cordon d'alimentation.**
 - **La limite inférieure de température ambiante autour de cet appareil de chauffage est de -17 °C (0 °F).**
 - **N'utilisez pas l'appareil de chauffage avec un réseau de gaines.**
- Lors de l'utilisation le gaz de propane :**
- Utiliser le produit seulement avec le gaz propane et l'ensemble de régulateur et vanne fourni.
 - L'assemblage de tuyau devrait être protégé de la circulation, des matériaux de construction et du contact avec des surfaces chaudes à la fois pendant l'utilisation de l'appareil et quand il est rangé.
 - Vérifier s'il y a des fuites avant d'utiliser le produit. Procéder à cette vérification même si le produit a été assemblé au magasin.
 - Ne pas utiliser le produit s'il y a une fuite de gaz.
 - Ne pas utiliser de flamme pour chercher la provenance d'une fuite de gaz.
 - Le propane n'est pas du gaz naturel. Ne pas tenter de convertir ce gril au gaz naturel, puisque cela annulera la garantie et que c'est extrêmement dangereux.
 - Mettre le capuchon antipoussière sur la sortie de la vanne de la bouteille lorsque celle-ci n'est pas utilisée. Ce barbecue a été fabriqué pour être utilisé avec du gaz propane, sauf si une trousse de conversion approuvée a été installée.
 - Ne pas entreposer les bouteille de propane, d'essence ou liquides inflammables à proximité du produit ou d'un autre appareil.
 - Arrêter l'appareil et le laisser refroidir cinq minutes avant de changer la bouteille de propane ou de rajouter un lubrifiant à la produit.
 - Ne pas fumer lors de la fixation ou du retrait de la bouteille de propane.
 - **Conserver ces instructions.** Les consulter fréquemment et les utiliser pour instruire les autres utilisateurs éventuels. Si cet outil est prêt, il doit être accompagné de ces instructions.

SYMBOLES

Les termes de mise en garde suivants et leur signification ont pour but d'expliquer le degré de risques associé à l'utilisation de ce produit.

SYMBOLE	SIGNAL	SIGNIFICATION
	DANGER :	Indique une situation dangereuse qui, si elle n'est pas évitée, aura pour conséquences des blessures graves ou mortelles.
	AVERTISSEMENT :	Indique une situation dangereuse qui, si elle n'est pas évitée, pourrait entraîner des blessures graves ou mortelles.
	ATTENTION :	Indique une situation dangereuse qui, si elle n'est pas évitée, pourrait entraîner des blessures légères ou de gravité modérée.
	AVIS :	(Sans symbole d'alerte de sécurité) Indique les informations jugées importantes sans toutefois représenter un risque de blessure (ex. : messages concernant les dommages matériels).

Certains des symboles ci-dessous peuvent être utilisés sur produit. Veiller à les étudier et à apprendre leur signification. Une interprétation correcte de ces symboles permettra d'utiliser produit plus efficacement et de réduire les risques.

SYMBOLE	NOM	DÉSIGNATION / EXPLICATION
	Symbole d'alerte de sécurité	Indique un risque de blessure potentiel.
	Lire le manuel d'utilisation	Pour réduire les risques de blessures, l'utilisateur doit lire et veiller à bien comprendre le manuel d'utilisation avant d'utiliser ce produit.
	Avertissement concernant l'humidité	Ne pas exposer à la pluie ou l'humidité.
	Vapeurs toxiques	Durant le fonctionnement, le appareil de chauffage au propane émet du monoxyde de carbone, un gaz toxique inodore et incolore. Respirer le monoxyde de carbone peut entraîner des nausées, des évanouissements, voire la mort.
	Surface brûlante et gaz d'échappement	Pour réduire les risques de blessures ou de dommages, éviter tout contact avec les surfaces brûlantes et ne pas positionner toute partie du corps dans le passage de gaz d'échappement chauds.
	Symbole de recyclage	Ce produit utilise les piles de lithium-ion (Li-ion). Les réglementations locales ou gouvernementales peuvent interdire de jeter les piles dans les ordures ménagères. Consulter les autorités locales compétentes pour les options de recyclage et/ou l'élimination.
V	Volts	Tension
A	Ampères	Intensité
Hz	Hertz	Fréquence (cycles par seconde)
W	Watt	Alimentation
min	Minutes	Temps
≡	Courant continu	Type ou caractéristique du courant
~	Courant alternatif	Type de courant
	Outil de la classe II	Construction à double isolation

CARACTÉRISTIQUES ÉLECTRIQUES

DOUBLE ISOLATION

La double isolation est un dispositif de sécurité utilisé sur les produits à moteur électriques, éliminant le besoin de cordon d'alimentation habituel à trois fils avec terre. Toutes les pièces métalliques exposées sont isolées des composants internes du moteur par l'isolation protectrice. Les produits à double isolation ne nécessitent pas de mise à la terre.

AVERTISSEMENT :

Le système à double isolation est conçu pour protéger l'utilisateur contre les chocs électriques causés par une rupture du câblage interne de l'produit. Prendre toutes les précautions de sécurité normales pour éviter les chocs électriques.

NOTE : La réparation d'un produit à double isolation exigeant des précautions extrêmes ainsi que la connaissance du système, elle ne doit être confiée qu'à un réparateur qualifié. En ce qui concerne les réparations, nous recommandons de confier l'produit au centre de réparation le plus proche. Utiliser exclusivement des pièces d'origine pour les réparations.

CONNEXIONS ÉLECTRIQUES

Il doit être branché uniquement sur **une alimentation 120 V, c.a. (courant résidentiel standard) 60 Hz**. Ne pas l'utiliser sur une source de courant continu (c.c.) en le reliant par le cordon d'alimentation. Une chute de tension importante causerait une perte de puissance et une surchauffe du moteur. Si l'produit ne fonctionne pas une fois branché, vérifier l'alimentation électrique.

CORDONS PROLONGATEURS

Lors de l'utilisation d'un outil électrique à grande distance d'une prise secteur, veiller à utiliser un cordon prolongateur d'une capacité suffisante pour supporter l'appel de courant de l'produit. Un cordon de capacité insuffisante causerait une baisse de la tension de ligne, entraînant une perte de puissance et une surchauffe. Se reporter au tableau ci-dessous pour déterminer le calibre minimum de fil requis pour un cordon donné. Utiliser exclusivement des cordons à gaine cylindrique homologués par Underwriter's Laboratories (UL).

Pour le travail à l'extérieur, utiliser un cordon prolongateur spécialement conçu à cet effet. Ce type de cordon porte l'inscription « WA » ou « W » sur sa gaine.

Avant d'utiliser un cordon prolongateur, vérifier que ses fils ne sont ni détachés ni exposés et que son isolation n'est ni coupée, ni usée.

**Intensité nominale (sur la plaquette signalétique de l'produit)

Longueur du cordon	Calibre de fil (A.W.G.)					
	0-2,0	2,1-3,4	3,5-5,0	5,1-7,0	7,1-12,0	12,1-16,0
25'	16	16	16	16	14	14
50'	16	16	16	14	14	12
100'	16	16	14	12	10	—

**Utilisé sur circuit de calibre 12 – 20 A

NOTE : AWG = American Wire Gauge

AVERTISSEMENT :

Maintenir le cordon prolongateur à l'écart de la zone de travail. Lors du travail avec un cordon électrique, placer le cordon de manière à ce qu'il ne risque pas de se prendre dans les pièces de bois, produits et autres obstacles. Ne pas prendre cette précaution peut entraîner des blessures graves.

AVERTISSEMENT :

Vérifier l'état des cordons prolongateurs avant chaque utilisation. Remplacer immédiatement tout cordon endommagé. Ne jamais utiliser un produit dont le cordon d'alimentation est endommagé, car tout contact avec la partie endommagée pourrait causer un choc électrique et des blessures graves.

AVERTISSEMENT :

Afin de réduire le risque de décharge électrique, n'utilisez l'appareil qu'avec une rallonge électrique conçue pour l'utilisation extérieure telle qu'une rallonge électrique de type SW-A, SOW-A, STW-A, STOW-A, SJW-A, SJOW-A, SJTW-A ou SJTOW-A.

CARACTÉRISTIQUES

FICHE TECHNIQUE

Alimentation double Pile de 18 V
ou alimentation 120 V, c.a. 60 Hz.

Puissance BTU30 000–60 000
Source de combustiblePropane (non inclus)

OUTILS NÉCESSAIRES

Les outils suivants (non fournis) sont nécessaires pour l'assemblage et l'alignement :

Clé à molette

ASSEMBLAGE

DÉBALLAGE

Ce produit doit être assemblé.

- Extraiga cuidadosamente la herramienta y los accesorios de la caja. Tous les articles énumérés sous **Inclut** doivent se trouver dans l'emballage au moment de l'achat.

AVERTISSEMENT :

Certaines pièces figurant dans cette section *Assemblage* n'ont pas été installées sur le produit par le fabricant et exigent une installation du client. Le fait d'utiliser un produit qui a été assemblé de façon inadéquate peut entraîner des blessures.

- Si des pièces sont manquantes ou endommagées, appeler le 1-800-525-2579.

AVERTISSEMENT :

Si des pièces manquent ou sont endommagées, ne pas utiliser ce produit avant qu'elles aient été remplacées. Le fait d'utiliser ce produit même s'il contient des pièces endommagées ou s'il lui manque des pièces peut entraîner des blessures graves.

AVERTISSEMENT :

Ne pas essayer de modifier ce produit ou de créer des accessoires non recommandés pour ce produit. De telles altérations ou modifications sont considérées comme un usage abusif et peuvent créer des conditions dangereuses pouvant entraîner des blessures graves.

ATTACHER LA POIGNEE

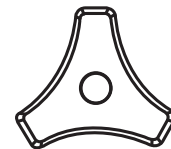
Voir la figure 1, page 13.

- ÉTEINDRE l'appareil de chauffage au propane.
- Aligner la languette au bas de la poignée sur la fente en haut de l'appareil de chauffage.
- NOTE: Les trous de vis dans la poignée et l'appareil de chauffage doivent également s'aligner lorsque la poignée est bien orientée.
- Utiliser les vis fournies (4) pour fixer la poignée à l'appareil de chauffage.
- Bien serrer chaque vis.

UTILISATION PROPANE (PROPANE LIQUIDE ÉGALEMENT APPELÉ PÉTROLE LIQUIDE)

Le propane est hautement inflammable et risque de s'enflammer de manière imprévue quand mélangé à l'air. La bouteille de propane utilisée avec ce heater doit répondre aux exigences suivantes :

- Construite et marquée conformément aux *Specifications for LP Gas Cylinders* du U.S. Department of Transportation (D.O.T.) ou du National Standard of Canada, *CAN/CSA-B339, Cylinders, Spheres, and Tubes for Transportation of Dangerous Goods; and Commission*.
- Dimensions : 304,8 mm (12 po) de diamètre x 457,2 mm (18 po) de hauteur avec capacité maximum de 9,09 kg (20 lb).
- La vanne de bouteille doit avoir :
 - Dispositif de connexion de bouteille (Type 1) compatible avec le connecteur pour le heater.
 - Soupape de sûreté-décharge
 - Dispositif de protection de trop-plein homologué UL (OPD). Cette fonction de sécurité OPD est identifiée par un volant unique triangulaire. Utiliser uniquement les bouteilles de propane ayant ce type de soupape.
- Aménagé pour le retrait de la vapeur et inclut une collerette pour protéger la vanne de bouteille de propane. Conserver toujours la bouteille de propane en position verticale pendant l'utilisation, le transport ou l'entreposage.



OPD VOLANT

TESTS DE LA BOUTEILLE DE PROPANE

Voir la figure 2, page 13.

- S'assurer que la bouteille de propane est débranchée du tuyau et du régulateur de propane.
- À l'aide d'un pinceau propre et d'un mélange 50/50 de savon doux et d'eau, appliquer la solution savonneuse sur les zones indiquées par les flèches sur la figure 1.
- Des bulles « croissantes » indiquent une fuite. Ne pas utiliser la bouteille de propane et ne pas la déplacer. Contacter le fournisseur de gaz ou le service des incendies !

ASSEMBLAGE

- Si l'on voit, on sent ou on entend le sifflement du gaz s'échappant de la bouteille de propane :
 - S'éloigner de la bouteille de propane
 - Ne pas tenter de rectifier le problème soi-même
 - Appeler le service des incendies
- S'il n'y a pas de fuite, continuer l'installation et le branchement de la bouteille de propane.

INSTALLATION DE LA BOUTEILLE DE PROPANE

Voir les figures 3 à 6, pages 14 et 15.

Pour connecter :

- À l'aide d'une clé ajustable (non incluse), vissez l'embout ouvert du tuyau de propane à l'entrée de propane de l'appareil de chauffage. Serrer fermement.

NOTE : À la première utilisation, retirez le capuchon protecteur de caoutchouc qui protège l'entrée de propane pendant l'expédition. Conserver le capuchon en caoutchouc et le réinstaller pour éviter d'endommager l'entrée de propane et pour ranger l'appareil de chauffage.

- Assurer que volant de la bouteille de propane est dans son position d'arrêt, puis retirer le capuchon de la bouteille.
- Maintenir le régulateur fermement et insérer le mamelon dans la vanne de la bouteille de gaz

NOTE : Le mamelon doit être centré dans la vanne de la bouteille.

- En maintenant l'écrou de raccordement et le régulateur comme il l'est indiqué, tourner l'écrou de raccordement dans le sens contraire d'une montre et serrer à la main en prenant soin de ne pas fausser le filetage de la connexion. Ne pas utiliser d'outils.

NOTE : Les filets du régulateur sont vers la gauche. Le régulateur se scellera dans la vanne de la bouteille résultant en une certaine résistance. **Il faudra tourner de un-demi à trois-quarts de tour pour terminer la connexion.** Si l'on ne peut pas terminer la connexion, déconnecter et refaire les deux étapes ci-dessus. Si l'on ne peut toujours pas terminer la connexion, NE PAS UTILISER ce régulateur!

- Inspecter les connexions de soupape transportent et le régulateur. Inspecter les connexions de soupape transportent et le régulateur. Chercher n'importe quels dommages ou n'importe quel débris. Enlever n'importe quel débris. Inspecter le tuyau pour les dommages. **Jamais la tentative à nous avons endommagé ou avons bouché de l'équipement. Voir votre Négociant local de propane pour les réparations.**

Pour déconnecter :

- Tenez fermement le régulateur et tournez l'écrou d'accouplement dans le sens horaire pour le retirer.
- Mettre le capuchon antipoussière sur la sortie de la vanne de la bouteille lorsque celle-ci n'est pas utilisée.

NOTE : N'utiliser à cette fin que le type de capuchon antipoussière fourni avec la vanne de la bouteille. D'autres types de capuchons ou de bouchons peuvent entraîner une fuite de propane.

ESSAI D'ÉTANCHÉITÉ DES VANNES, DU TUYAU ET DU RÉGULATEUR

DANGER :

NE PAS FUMER ni utiliser de flamme nue lors d'un essai d'étanchéité. En présence d'une fuite, le gaz pourrait s'enflammer et provoquer de graves blessures corporelles.

AVERTISSEMENT :

Pour éviter toute blessure corporelle grave, vérifier toujours la présence éventuelle de fuite de gaz à chaque déconnexion et reconnexion de la bouteille de propane.

Les connexions sur le tuyau et le régulateur ont été testées en usine pour s'assurer qu'il n'y ait aucune fuite. Néanmoins, les connexions pourraient s'être desserrées pendant le transport et la manutention. Par mesure de sécurité :

- Tourner l'interrupteur le chauffage à la position OFF (arrêt).
- S'assurer que le régulateur est correctement connecté à la bouteille de propane.
- Tourner le volant dans le sens contraire des aiguilles d'une montre pour ouvrir la vanne de la bouteille.

NOTE : Si l'on entend un bruit *strident*, fermer immédiatement la vanne de bouteille. Le bruit signifie qu'il existe une fuite importante au niveau de la connexion. Rectifier le problème avant de continuer.

- À l'aide d'un pinceau propre et d'un mélange moitié-moitié de savon doux et d'eau, brosser la solution savonneuse sur tous les raccords et branchements du produit, le long du tuyau et sur la bouteille de propane.
- Des bulles « croissantes » indiquent une fuite. Fermer la vanne de bouteille puis resserrer toutes les connexions.
NOTE : Si les fuites ne peuvent être stoppées, ne pas tenter d'entreprendre des réparations. Appeler pour obtenir des pièces de rechange.
- Si l'on n'utilise pas le chauffage immédiatement après l'essai d'étanchéité, fermer la vanne de bouteille en tournant la vanne dans le sens des aiguilles d'une montre.

UTILISATION

AVERTISSEMENT :

Ne pas laisser la familiarité avec l'outil faire oublier la prudence. Ne pas oublier qu'une fraction de seconde d'inattention peut entraîner des blessures graves.

AVERTISSEMENT :

Ne pas utiliser d'outils ou accessoires non recommandés par le fabricant pour cet outil. L'utilisation de pièces et accessoires non recommandés peut entraîner des blessures graves.

AVERTISSEMENT :

Risque d'incendie. Ne placez jamais l'appareil de chauffage vers le bas ou vers des matériaux combustibles. L'arrière et les côtés de cet appareil de chauffage doivent être situés à au moins 609,60 mm (24 po) des surfaces combustibles alors que l'avant et le dessus de l'appareil doivent être situés à 182,88 cm (72 po) des surfaces combustibles. L'appareil de chauffage doit être placé sur une surface plane et le débit de combustion et de ventilation ne doit pas être obstrué.

APPLICATIONS

Cet outil peut être utilisé pour l'application ci-dessous :

- Chauffage général d'espaces extérieurs et majorité des chantiers de construction qui ont une ventilation adéquate

AVIS :

Ce produit a été conçu pour être alimenté par un bloc-piles de 18 V de Ryobi (mode CC) ou une source d'alimentation électrique (mode CA). L'une des sources d'alimentation peut être utilisée soit par un bloc-piles approuvé ou par le cordon d'alimentation du produit, comme décrit dans ce manuel.

INSTALLATION/RETRAIT DU BLOC-PILES

Voir la figure 7, page 15.

- Insérer la bloc-piles dans l'outil tel qu'illustré.
- S'assurer que ses deux loquets latéraux s'engagent correctement et vérifier que le bloc-piles est solidement assujéti avant d'utiliser produit.
- Relâcher les loquets pour retirer le bloc-piles.

Pour prendre connaissance des consignes de chargement, consulter le manuel d'utilisation des piles et des chargeurs.

AVERTISSEMENT :

Toujours retirer le bloc-piles ou cordon prolongateur de le produit au moment d'assembler des pièces, d'effectuer des réglages et de procéder au nettoyage, ou lorsque l'outil n'est pas utilisé. Le fait de retirer la pile ou cordon prolongateur permet d'empêcher un démarrage accidentel pouvant entraîner des blessures graves.

INSTALLATION/RETRAIT DU CORDON D'ALIMENTATION (NON INCLUS)

Voir la figure 8, page 15.

- Insérez dans l'appareil le bout femelle d'une rallonge électrique conçue pour l'extérieur de calibre américain de 16, comme illustré.
- Raccorder la fiche du cordon d'alimentation dans une source d'énergie.
- S'assurer que le cordon d'alimentation est raccordé correctement avant d'allumer le produit.

MISE EN MARCHÉ ET ARRÊT DU CHAUFFAGE

Voir la figure 9, page 15.

AVERTISSEMENT :

Bien placer l'appareil de chauffage avant de l'utiliser. Placer l'appareil de chauffage sur une surface plane et stable lorsqu'il fonctionne; aux États-Unis, il doit également être situé à au moins 2,13 m (7 pi) et au Canada à 3,00 m (10 pi) des contenants de propane liquide et ne pas être dirigé vers de tels contenants situés à moins de 6,10 m (20 pi).

L'appareil de chauffage devrait être inspecté avant chaque utilisation et au moins une fois par année par un préposé à l'entretien qualifié.

Démarrage:

- Assurez-vous que la bouteille de propane est bien branchée, qu'un essai d'étanchéité a été fait et que le robinet de la bonbonne est bien ouvert.
- Ne dirigez JAMAIS l'appareil de chauffage vers la bonbonne de propane. Placez la bonbonne de propane derrière l'appareil de chauffage avec le tuyau de propane étiré à sa pleine longueur.

UTILISATION

- Branchez l'appareil de chauffage à un cordon d'alimentation ou un bloc-piles approuvé.
- Appuyez sur le bouton marche/arrêt. Le ventilateur se met en marche et la première vanne de gaz s'ouvre. La DEL s'affiche en rouge fixe puis en vert lorsque le brûleur est prêt à être allumé. Le voyant vert clignotant est une minuterie réglée sur 10 secondes pour laisser le temps au thermostat de chauffer jusqu'à la plage de fonctionnement après l'allumage du brûleur.
- Appuyer sur le bouton d'allumage électronique et la deuxième vanne s'ouvre sur le brûleur. Maintenir la pression jusqu'à ce que la LED affiche un vert solide. Relâcher le bouton de l'allumeur et le brûleur devrait rester allumé.

NOTE : Si le brûleur ne reste pas allumé, attendre 30 secondes et répéter les étapes de démarrage, en vous assurant que vous appuyez sur le bouton d'allumage électronique dès que le voyant commence à clignoter en vert et que vous le maintenez enfoncé jusqu'à ce que le voyant affiche un vert fixe pour verrouiller la vanne de gaz en position de marche. S'il ne s'allume toujours pas, vérifier le niveau de gaz dans la bonbonne de propane

NOTE : Une DEL rouge en continu indique un état défectueux. Communiquer avec le service à la clientèle pour obtenir de l'aide.

Arrêt:

- Appuyez sur le bouton marche/arrêt. L'appareil de chauffage s'éteindra automatiquement.
- Tournez le robinet de la bonbonne de propane jusqu'à ce qu'il soit complètement fermé.
- Retirez le tuyau et régulateur de la bonbonne de propane et replacez le capuchon sur le cylindre.
- Retirez le cordon d'alimentation ou la pile de l'appareil.

Pour redémarrer :

- Permettre à l'unité de refroidir pendant 5 minutes.
- Suivre les étapes dans la section **Mise en marche et arrêt du chauffage**.

AVIS :

L'appareil peut réallumer immédiatement si vous appuyez sur le bouton marche/arrêt moins de 5 minutes après l'arrêt et que le soupape de gaz n'ait pas eu suffisamment de temps pour refroidir. S'assurer que l'appareil de chauffage est dans une position sécuritaire avant d'appuyer sur le bouton marche/arrêt.

CONTRÔLE DE LA TEMPÉRATURE

Voir la figure 9, page 15.

Le bouton de réglage de la température contrôle le débit du propane pour la sortie de chaleur variable. Le régulateur de température s'ajuste de 30 000 à 60 000 BTU.

- Pour augmenter la température, tournez le bouton de commande de température en sens horaire.
- Pour abaisser la température, tournez le bouton de commande de température en sens contraire aux aiguilles d'une montre.

ARRÊT AUTOMATIQUE

Le robinet de gaz s'éteindra automatiquement si l'une des choses suivantes se produit :

- **La flamme s'éteint**—Si la bonbonne de propane est vide ou que la flamme s'éteint accidentellement.
- **Surchauffe** —Si le flux d'air est bloqué ou si la température à l'intérieur de l'unité est trop élevée, la première vanne se ferme automatiquement et la DEL clignote en rouge. La chauffeuse peut être rallumée après que le thermostat ait refroidi.
NOTE : Un voyant rouge clignotant indique une erreur de fonctionnement. S'assurer que le flux d'air n'est pas restreint. Éteindre l'appareil et le redémarrer.
- **Faible tension**—Si une panne de courant survient ou si la pile est faible.
- **Rotation incorrecte du ventilateur** — Si le ventilateur ne tourne pas correctement, l'unité s'éteint automatiquement et le voyant s'affiche en rouge fixe. Le voyant DEL restera rouge fixe et l'appareil s'éteindra avant de s'allumer s'il y a toujours un problème avec le ventilateur. Si la pile du ventilateur est déchargée, le système arrêtera la vanne.

ENTREPOSAGE

Toujours débrancher la bouteille de gaz de propane, tuyau et régulateur de propane et retirer le bloc-piles et/ou cordon d'alimentation de l'unité lorsqu'il n'est pas utilisé. Réinstaller le capuchon de protection en caoutchouc à l'entrée du propane pour éviter les dommages et empêcher les débris ou les insectes de pénétrer dans la conduite de gaz. Rangez toujours l'unité à l'intérieur.

NOTE : SECTION ENTRETIEN COMMENÇANT SUR 12 DE PAGE APRÈS LA SECTION ESPAGNOL. ILLUSTRATIONS COMMENÇANT SUR LA PAGE 13.

INSTRUCCIONES DE SEGURIDAD IMPORTANTES

PELIGRO:

Monóxido de carbono. Usar un calentador a gas propano en el interior LO MATARÁ EN POCOS MINUTOS.

Los gases de escape del calentador a gas propano contienen niveles altos de monóxido de carbono (CO), un gas venenoso que no puede verse ni olerse. Si puede oler los gases de escape del calentador a gas propano, está respirando CO. Pero incluso si no puede oler los gases de escape, es posible que esté respirando CO.

- Nunca use un calentador a gas propano dentro de su hogar, garaje, sótano, vehículos recreativos ni demás espacios parcialmente encerrados. En dichos espacios, pueden acumularse niveles mortales de monóxido de carbono. Usar un ventilador o abrir puertas y ventanas NO proporciona suficiente aire fresco.
- SÓLO utilice el calentador a gas propano al aire libre y lejos de ventanas, puertas y respiraderos abiertos. Estas aberturas pueden atraer los gases de escape del calentador a gas propano.

El cilindro de propano debe colocarse al aire libre durante la operación, excepto durante la construcción o renovación de edificios no ocupados por el público.

Incluso si utiliza el calentador a gas propano correctamente, el CO puede ingresar en su hogar. SIEMPRE utilice una alarma de CO de pilas o con pilas de respaldo en su hogar.

Si comienza a sentir náuseas, mareos, debilidad o experimenta dolor de cabeza después de que el calentador con propano ha estado funcionando, salga al aire fresco DE INMEDIATO. Vea a un doctor. Puede sufrir intoxicación por monóxido de carbono. No duerma mientras el calentador con propano esté en funcionamiento.

PELIGRO:

Si siente olor a gas propano, cierre el suministro de gas propano al calentador en el cilindro de gas propano. Si el olor persiste, manténgase alejado del calentador a gas propano y llame de inmediato a su proveedor de gas propano o a su departamento de bomberos.

ADVERTENCIA:

RIESGO DE INCENDIO, QUEMADURA, INHALACIÓN Y EXPLOSIÓN. MANTENGA LOS COMBUSTIBLES SÓLIDOS, COMO LOS MATERIALES DE CONSTRUCCIÓN, PAPEL O CARTÓN, A UNA DISTANCIA SEGURA DEL CALENTADOR, TAL COMO SE RECOMIENDA EN LAS INSTRUCCIONES. NUNCA USE EL CALENTADOR DONDE HAYA O PUEDA HABER COMBUSTIBLES AÉREOS O VOLÁTILES, O PRODUCTOS COMO GASOLINA, SOLVENTES, DILUYENTE DE PINTURA, PARTÍCULAS DE POLVO O QUÍMICOS DESCONOCIDOS.

ADVERTENCIA:

PELIGRO DE INCENDIO, QUEMADURAS, INHALACIÓN Y EXPLOSIÓN. NO COLOCAR SOBRE MATERIALES INFLAMABLES, COMO MATERIALES DE CONSTRUCCIÓN, MADERA, PAPEL O CARTÓN, O MATERIALES SUJETOS A DESINTEGRACIÓN DEBIDO A EXPANSIÓN, COMO EL CONCRETO.

ADVERTENCIA:

SOLO PARA USO EXTERIOR

ADVERTENCIA:

EL INCUMPLIMIENTO DE LAS PRECAUCIONES E INSTRUCCIONES PROVISTAS CON ESTE CALENTADOR PUEDE RESULTAR EN LA MUERTE, LESIONES CORPORALES GRAVES Y PÉRDIDAS O DAÑOS A LOS BIENES POR EL PELIGRO DE INCENDIO, EXPLOSIÓN, QUEMADURAS, ASFIXIA, INTOXICACIÓN CON MONÓXIDO DE CARBONO O DESCARGA ELÉCTRICA.

ÚNICAMENTE LAS PERSONAS QUE PUEDEN ENTENDER Y SIGUIENDO LAS INSTRUCCIONES DEBE USAR O USAR ESTE CALENTADOR.

SI USTED NECESITA INFORMACIÓN DE ASISTENCIA O CALENTADOR COMO MANUAL DE INSTRUCCIONES, ETIQUETA, ETC. PÓNGASE EN CONTACTO CON EL FABRICANTE.

ADVERTENCIA:

NO APTO PARA EL USO EN VEHÍCULOS RECREATIVOS O EN EL HOGAR.

INSTRUCCIONES DE SEGURIDAD IMPORTANTES

ADVERTENCIA:

Peligro para la calidad del aire:

- No use este calentador para calentar cuartos con seres humanos.
- El uso de calentadores de fuego directo en entornos de construcción puede resultar en la exposición a niveles altos de CO, CO₂ y NO₂, que se consideran peligrosos para la salud y potenciales amenazas para la vida.
- No use el calentador en áreas no ventiladas.
- Conozca los signos de intoxicación por CO y CO₂.
 - Dolores de cabeza, picazón en los ojos;
 - Mareo, desorientación;
 - Dificultad para respirar, sensación de sofocación.
- Proporcione intercambio de aire de ventilación adecuado (título 29 del CFR, parte 1926.57 de la OSHA) para soportar la combustión y mantener una calidad de aire aceptable, de acuerdo con el título 29 del CFR, parte 1926.154 de la OSHA, los Requisitos de seguridad para dispositivos y equipos temporarios y portátiles de calefacción del espacio de ANSI A10.10 utilizados en el sector de la construcción o los Códigos de instalación de gas natural o propano, CSA B149.1.
- Controle periódicamente los niveles de CO, CO₂ y NO₂ en el lugar de la construcción, como mínimo al comienzo de un turno y después de 4 horas.
- Proporcione intercambio de aire de ventilación, ya sea de forma natural o mecánica, según sea necesario para mantener una calidad de aire aceptable en el interior.

ADVERTENCIA:

Debe proporcionarse ventilación adecuada. Debe implementarse una abertura de ventilación de 0,19 m² (2 pies cuadrados) como mínimo cerca del piso y una abertura de ventilación de 0,19 m² (2 pies cuadrados) cerca del techo mientras se usa este calentador. No duerma mientras el calentador esté en funcionamiento.

ADVERTENCIA:

Lea y guarde estas instrucciones. El incumplimiento de las instrucciones señaladas abajo puede causar descargas eléctricas, incendios y lesiones corporales serias.

GUARDE ESTAS INSTRUCCIONES

Cuando se utiliza la gas propano:

- Este producto propano debe instalarse de conformidad con los códigos locales vigentes. En caso de que no existan códigos locales, use los siguientes:
 - Estados Unidos:
 - Código Nacional de Gas Combustible, norma 223.1 del Instituto Americano de Normas Nacionales (American National Standards Institute, ANSI)/ norma 54 de la Asociación Nacional de Protección contra Incendios (National Fire Protection Association, NFPA)
 - Código de gas PL, norma 58 de la NFPA.
 - Canadá:
 - Código de Instalación de Gas Natural y Propano, norma B149.1 de la Asociación Canadiense de Normas (Canadian Standards Association, CSA).
 - Código de Almacenamiento y Manipulación de Propano, norma CSA B149.2.
- Proporcione intercambio de aire de ventilación adecuado (**título 29 del CFR, parte 1926.57 de la OSHA**) para soportar la combustión y mantener una calidad de aire aceptable, de acuerdo con el **título 29 del CFR, parte 1926.154 de la OSHA**, los **Requisitos de seguridad para dispositivos y equipos temporarios y portátiles de calefacción del espacio de ANSI A10.10** utilizados en el sector de la construcción o los Códigos de instalación de gas natural o propano, CSA B149.1.
- Controle periódicamente los niveles de CO, CO₂ y NO₂ existente presentes en el lugar de la construcción, como mínimo al comenzar el turno y tras 4 horas.
- Proporcione intercambio de aire de ventilación, ya sea de forma natural o mecánica, según sea necesario para mantener una calidad de aire aceptable en el interior.
- Siempre cierre el suministro de gas al cilindro de gas propano (propano líquido también llamado gas licuado de petróleo) cuando el producto no esté en uso. Desconecte el cilindro antes de almacenarlo.
- Antes de guardar la unidad, deje que se enfríe el motor durante 30 minutos y retire el cilindro de gas propano de la unidad. No almacene un cilindro de gas propano conectada al o cerca de la producto. Si no se cumple esta indicación, puede producirse un incendio que podría provocar la muerte o lesiones graves.
- Inspeccione la manguera para verificar que no tenga daños antes de cada uso. Si es evidente que hay abrasión o desgaste excesivo, o que la manguera está cortada, esta debe reemplazarse antes de poner en funcionamiento el producto. El conjunto de la manguera de reemplazo debe ser el especificado por el fabricante. Utilice sólo la pieza de repuesto de la manguera de repuesto
- Este calentador debe ubicarse en una superficie estable y nivelada y alejado de superficies combustibles en no menos de 609,60 mm (24 pulg.) de la parte posterior y lateral del calentador y 182,88 cm (72 pulg.) de la parte superior y la salida delantera de este calentador.
- Nunca llene el cilindro de gas propano por encima del 80% de su capacidad. Un cilindro llenado en exceso o almacenado en forma incorrecta constituye un peligro debido a la posible liberación de gas desde la válvula de alivio de seguridad. Si no se cumple esta indicación, puede producirse un incendio que provoque la muerte o lesiones graves.

INSTRUCCIONES DE SEGURIDAD IMPORTANTES

- Utilice únicamente un cilindro de gas propano que tenga un collar para proteger la válvula del cilindro.
- Si en algún momento se detecta una fuga, aléjese del cilindro de gas propano y llame al departamento de bomberos.
- No use la producto hasta que se haya comprobado que no tiene fugas.
- Los cilindros de propano deben almacenarse en el exterior, fuera del alcance de los niños y no deben almacenarse en un edificio, un garaje, ni en ninguna otra área cerrada.
- No operar en altitudes superiores a los 609,60 m (2000 ft).

ÁREA DE TRABAJO

- **Mantenga limpia y bien iluminada el área de trabajo.** Una mesa de trabajo mal despejada y una mala iluminación son causas comunes de accidentes.
- **No utilice productos en atmósferas explosivas, como las existentes alrededor de líquidos, gases y polvos inflamables.** Los productos generan chispas que pueden encender el polvo y los vapores inflamables.

SEGURIDAD ELÉCTRICA

- **Todo producto de baterías, ya sea de baterías integradas o de paquete de baterías separado, debe recargarse únicamente con el cargador especificado para las baterías.** Un cargador que puede ser adecuado para un tipo de baterías puede significar un riesgo de incendio si se emplea con otro tipo de baterías.
- **Utilice los productos de baterías sólo con el paquete de baterías específicamente indicado.** El empleo de baterías diferentes puede presentar un riesgo de incendio.
- **Usar este producto únicamente con la baterías y el cargadores indicados en el folleto de la herramienta/aparato/paquete de baterías/cargador complementario 987000-432.**
- **No anule la característica de seguridad de la clavija polarizada o clavija del tipo de conexión a tierra.** Una clavija polarizada tiene dos patillas, una de las cuales es más ancha que la otra. Una clavija del tipo de conexión a tierra tiene dos patillas y una tercera de conexión a tierra. La patilla más ancha o la tercera patilla se suministran para seguridad del operador. Si la clavija suministrada no encaja en la toma de corriente, consulte a un electricista para que cambie la toma de corriente obsoleta.
- **Proteja el cordón eléctrico para evitar que se lo pise o pellizque, especialmente a la altura de las clavijas, de las tomas de corriente y del punto de conexión de salida del aparato.**
- **Desenchufe este aparato durante las tormentas eléctricas o cuando no se utilice la máquina.**

SEGURIDAD PERSONAL

- **Vístase adecuadamente. No vista ropas holgadas ni joyas. Recójase el cabello si está largo. Mantenga el cabello, la ropa y los guantes alejados de las piezas móviles.** Las ropas holgadas, las joyas y el cabello largo pueden engancharse en las piezas móviles.
- **Evite un arranque accidental de la unidad. Asegúrese de que el interruptor esté en la posición de aseguramiento o de apagado antes de instalar el paquete de baterías o cordón de extensión.** Llevar los productos con el dedo en el interruptor o instalar el paquete de baterías o cordón de extensión en la producto con el interruptor puesto es causa común de accidentes.

- **No estire el cuerpo para alcanzar mayor distancia. Mantenga una postura firme y buen equilibrio en todo momento.** La postura firme y el buen equilibrio permiten un mejor control de la producto en situaciones inesperadas.
- **No vista ropas holgadas ni joyas. Recójase el cabello si está largo.** Las ropas holgadas y las joyas, así como el cabello largo, pueden resultar atraídas hacia el interior de las aberturas de ventilación.
- **No utilice la unidad al estar en una escalera o en un soporte inestable.** Una postura estable sobre una superficie sólida permite un mejor control de la producto en situaciones inesperadas.

EMPLEO Y CUIDADO DE LA CALENTADOR A GAS PROPANO PORTÁTIL

- **No utilice los productos si el interruptor no enciende o no apaga.** Un producto que no puede controlarse con el interruptor es peligroso y debe repararse.
- **Desconecte el paquete de baterías o cordón de extensión de el producto o ponga el interruptor en la posición de aseguramiento o apagado antes de efectuar ajustes, de cambiar accesorios o de guardar el producto.** Con tales medidas preventivas de seguridad se reduce el riesgo de poner en marcha accidentalmente el producto.
- **Cuando no esté usando el paquete de baterías, manténgalo alejado de todo objeto metálico como: clips, monedas, llaves, clavos, tornillos y otros objetos metálicos pequeños que puedan establecer conexión entre ambas terminales.** Establecer una conexión directa entre las dos terminales puede causar chispas, quemaduras o incendios.
- **Mantenga el producto y el mango secos, limpios y sin aceite ni grasa.** Siempre utilice un paño limpio para la limpieza de la unidad. Nunca utilice fluidos para frenos, gasolina, productos a base de petróleo ni solventes fuertes para limpiar el producto. Con el cumplimiento de esta regla se reduce el riesgo de una pérdida de control y el deterioro del alojamiento de plástico de la unidad.
- **Para reducir el riesgo de descarga eléctrica, no utilice este producto cerca del agua, especialmente cuando está conectado a través del cable de alimentación.**
- **Limpie sólo con un paño seco.**
- **No instale cerca de fuentes de calor como, por ejemplo, radiadores, rejillas térmicas u otros aparatos que generen calor (entre ellos, amplificadores).**

SERVICIO




- **El servicio del producto sólo debe ser efectuado por personal de reparación calificado.** Todo servicio o mantenimiento efectuado por personal no calificado puede significar un riesgo de lesiones.
- **Al dar servicio a un producto, sólo utilice piezas de repuesto idénticas. Siga las instrucciones señaladas en la sección *Mantenimiento de este manual*.** El empleo de piezas no autorizadas o el incumplimiento de las instrucciones de mantenimiento puede significar un riesgo de descarga eléctrica o de lesiones.

ADVERTENCIAS DE SEGURIDAD CALENTADOR A GAS PROPANO PORTÁTIL










- **Familiarícese con su calentador a gas propano. Lea cuidadosamente el manual del operador. Aprenda sus usos y limitaciones, así como los posibles peligros específicos de este producto.** Con el cumplimiento de esta regla se reduce el riesgo de una descarga eléctrica, incendio o lesión seria.
 - **Las herramientas de baterías no se necesitan conectar a una toma de corriente; por lo tanto, siempre están en condiciones de funcionamiento.** Esté consciente de los posibles peligros cuando no esté usando la herramienta de baterías o cuando esté cambiando los accesorios de la misma. Con el cumplimiento de esta regla se reduce el riesgo de una descarga eléctrica, incendio o lesión corporal seria.
 - **No coloque calentadores a gas propano ni las baterías mismas cerca del fuego o del calor.** De esta manera se reduce el riesgo de explosiones y de lesiones.
 - **No aplaste, deje caer o dañe el paquete de baterías. No utilice el paquete de baterías ni el cargador si han sufrido una caída o un golpe contundente.** Las baterías dañadas pueden sufrir explosiones. Deseche de inmediato toda batería que haya sufrido una caída o que haya sido dañada.
 - **Las baterías pueden explotar en presencia de una fuente de inflamación, como una luz guía.** Para reducir el riesgo de lesiones corporales serias, nunca use un producto inalámbrico en presencia de llamas expuestas. La explosión de una batería puede lanzar fragmentos y compuestos químicos. Si ha quedado expuesto a la explosión de una batería, lávese de inmediato con agua.
 - **No cargue herramientas de baterías en lugares mojados o húmedos. No lo utilice, guarde o cargue la paquete de baterías o la unidad en lugares donde la temperatura sea inferior a 10 °C (50 °F) o superior a 38 °C (100 °F).** No guarde la herramienta a la intemperie ni en el interior de vehículos.
 - **En condiciones extremas de uso o temperatura las baterías pueden emanar líquido. Si el líquido llega a tocarle la piel, lávese de inmediato con agua y jabón, y después neutralice los efectos con jugo de limón o vinagre. Si le entra líquido en los ojos, láveselos con agua limpia por lo menos 10 minutos, y después busque de inmediato atención médica.** Con el cumplimiento de esta regla se reduce el riesgo de lesiones serias.
 - **No incinere las baterías, incluso si está dañado seriamente.** Las baterías pueden estallar e incendiarse.
 - **Para reducir el riesgo de incendio o descarga eléctrica, no utilice este producto con ningún dispositivo de control de velocidad de estado sólido.**
 - **No usar en cocinas, baños u otros lugares donde haya agua.**
 - **Asegúrese de que esté en buen estado el cordón de extensión. Al utilizar un cordón de extensión, utilice uno del calibre suficiente para soportar la corriente que consume el producto. Se recomienda que los conductores sean de calibre 16 (A.W.G.) por lo menos, para un cordón de extensión de 30 metros (100 pies) de largo o menos. No se recomienda utilizar un cordón con más de 30 metros (100 pies) de largo. Si tiene dudas, utilice un cordón del siguiente calibre más grueso. Cuanto menor es el número de calibre, mayor es el grueso del cordón.** Un cordón de un grueso insuficiente causa una caída en el voltaje de línea, y produce recalentamiento y pérdida de potencia.
 - **Para reducir el riesgo de lesión personal y descarga eléctrica, el producto portátil no debe usarse o colocarse al alcance de niños pequeños.**
 - **Para reducir el riesgo de descarga eléctrica, no lo exponga a la lluvia o al agua.**
 - **Nunca encienda el dispositivo con un paquete de baterías y un cordón eléctrico al mismo tiempo.**
 - **La clasificación mínima de la temperatura del aire alrededor de este calentador es de -17 °C (0 °F).**
 - **No indicado para usar con conductos.**
- Cuando se utiliza la gas propano:**
- Use el producto solo con gas propano y con el conjunto de regulador/válvula suministrado.
 - El ensamblaje de la manguera deberá protegerse contra el tránsito, los materiales de construcción y el contacto con superficies calientes durante el uso y durante el almacenamiento.
 - Verifique que no haya fugas antes de asar. Realice este procedimiento incluso si esta producto fue armada en la tienda.
 - No opere el producto si hay una fuga de gas.
 - Nunca use una llama para verificar que no haya fugas de gas.
 - El gas propano no es gas natural. No intente convertir esta producto a gas natural, dado que esto anulará la garantía y es extremadamente peligroso.
 - Coloque la tapa guardapolvo en la salida de la válvula del cilindro cuando el cilindro no esté en uso. Solo instale en la salida de la válvula del cilindro el tipo de tapa guardapolvo suministrado con la válvula del cilindro. Otros tipos de tapas o tapones pueden provocar una fuga de propano.
 - No almacene los cilindro de propano, gasolina ni otros líquidos inflamables en las cercanías de la producto.
 - Apague el motor y deje que se enfríe durante cinco minutos antes de cambiar el cilindro de gas propano o ponerle lubricante al producto.
 - Do fume al instalar o retirar el cilindro de gas propano.
 - **Guarde estas instrucciones.** Consúltelas con frecuencia y empléelas para instruir a otras personas que puedan utilizar esta herramienta. Si presta a alguien esta herramienta, facilítele también las instrucciones.

SÍMBOLOS

Las siguientes palabras de señalización y sus significados tienen el objeto de explicar los niveles de riesgo relacionados con este producto.

SÍMBOLO	SEÑAL	SIGNIFICADO
	PELIGRO:	Indica una situación peligrosa, la cual, si no se evita, causará la muerte o lesiones serias.
	ADVERTENCIA:	Indica una situación peligrosa, la cual, si no se evita, podría causar la muerte o lesiones serias.
	PRECAUCIÓN:	Indica una situación peligrosa, la cual, si no se evita, podría causar lesiones menores o leves.
	AVISO:	(Sin el símbolo de alerta de seguridad) Indica la información que se considera importante, pero no relacionada con lesiones potenciales (por ej. en relación a daños a la propiedad).

Es posible que se empleen en este producto algunos de los siguientes símbolos. Le suplicamos estudiarlos y aprender su significado. Una correcta interpretación de estos símbolos le permitirá utilizar mejor y de manera más segura el producto.

SÍMBOLO	NOMBRE	DENOMINACIÓN/EXPLICACIÓN
	Alerta de seguridad	Indica un peligro posible de lesiones personales.
	Lea el manual del operador	Para reducir el riesgo de lesiones, el usuario debe leer y comprender el manual del operador antes de usar este producto.
	Alerta de condiciones húmedas	No exponga la unidad a la lluvia ni la use en lugares húmedos.
	Emanaciones tóxicas	Con el funcionamiento del calentador a gas propano se emite monóxido de carbono, un gas tóxico incoloro e inodoro. Si se inhala monóxido de carbono puede causarse náusea, desmayo o la muerte.
	Superficie caliente y gases de escape	Para reducir el riesgo de lesiones corporales o daños materiales evite tocar toda superficie caliente y no coloque partes del cuerpo en la trayectoria de los gases de escape.
	Símbolo de reciclado	Este producto utiliza baterías de iones de litio (Li-ion). Es posible que algunas leyes municipales, estatales o federales prohíban desechar las baterías en la basura normal. Consulte a las autoridades reguladoras de desechos para obtener información en relación con las alternativas de reciclado y desecho disponibles.
V	Voltios	Voltaje
A	Amperios	Corriente
Hz	Hertz	Frecuencia (ciclos por segundo)
W	Watt	Potencia
min	Minutos	Tiempo
	Corriente continua	Tipo o característica de corriente
	Corriente alterna	Tipo de corriente
	Fabricación Clase II	Fabricación con doble aislamiento

ASPECTOS ELÉCTRICOS

DOBLE AISLAMIENTO

El doble aislamiento es una característica de seguridad de las productos eléctricas, la cual elimina la necesidad de usar el típico cordón eléctrico de tres conductores con conexión a tierra. Todas las partes metálicas expuestas están aisladas de los componentes metálicos internos del motor por medio de aislamiento de protección. No es necesario conectar a tierra las productos con doble aislamiento.

ADVERTENCIA:

El sistema de doble aislamiento está destinado para proteger al usuario contra las descargas eléctricas resultantes de la ruptura del cableado interno de la producto. Observe todas las precauciones de seguridad para evitar descargas eléctricas.

NOTA: El mantenimiento de una producto con doble aislamiento requiere sumo cuidado y conocimiento del sistema, y únicamente deben realizarlo técnicos de servicio calificados. Para el servicio de la producto, le sugerimos llevarla al centro de servicio autorizado más cercano para toda reparación. Siempre utilice piezas de repuesto de la fábrica original al dar servicio a la unidad.

CONEXIÓN ELÉCTRICA

Este producto debe conectarse únicamente a un suministro de corriente de **120 V, sólo corr. alt. (corriente normal para uso doméstico), 60 Hz.** No opere este producto con corriente directa (corr. cont.) a través del cordón eléctrico. Una caída considerable de voltaje causa una pérdida de potencia y el recalentamiento del motor. Si la producto no funciona al conectarla en una toma de corriente, vuelva a verificar el suministro de voltaje.

CORDONES DE EXTENSIÓN

Al utilizar una producto eléctrica a una distancia considerable de la fuente de voltaje, asegúrese de utilizar un cordón de extensión con la suficiente capacidad para soportar la corriente de consumo de la producto. Un cordón de un calibre insuficiente causa una caída en el voltaje de línea, la cual a su vez produce recalentamiento y pérdida de potencia. Báse en la tabla suministrada para determinar el grueso mínimo requerido del cordón de extensión. Solamente deben utilizarse cordones con forro redondo registrados en Underwriter's Laboratories (UL).

Al trabajar a la intemperie con una producto, utilice un cordón de extensión fabricado para uso en el exterior. Este tipo de cordón lleva las letras "WA" o "W" en el forro.

Antes de utilizar un cordón de extensión, inspecciónelo para ver si tiene conductores flojos o expuestos y aislamiento cortado o gastado.

**Amperaje (aparece en la placa de datos de la producto)

0-2,0 2,1-3,4 3,5-5,0 5,1-7,0 7,1-12,0 12,1-16,0

Longitud del cordón	Calibre conductores (A.W.G.)					
	16	16	16	14	14	12
25'	16	16	16	16	14	14
50'	16	16	16	14	14	12
100'	16	16	14	12	10	—

**Se usa en los circuitos de calibre 12, de 20 amperes.

NOTA: AWG = Calibre conductores norma americana

ADVERTENCIA:

Mantenga el cordón de extensión fuera del área de trabajo. Al trabajar con una producto eléctrica, coloque el cordón de tal manera que no pueda enredarse en la madera, productos ni en otras obstrucciones. La inobservancia de esta advertencia puede causar lesiones serias.

ADVERTENCIA:

Inspeccione los cordones de extensión cada vez antes de usarlos. Si están dañados reemplácelos de inmediato. Nunca utilice la producto con un cordón dañado, ya que si toca la parte dañada puede producirse una descarga eléctrica, y las consecuentes lesiones serias.

ADVERTENCIA:

Para reducir el riesgo de descarga eléctrica, use solamente un cable de extensión destinado para uso en exteriores, como un cable de extensión de tipo SW-A, SOW-A, STW-A, STOW-A, SJW-A, SJOW-A, SJTW-A o SJTOW-A.

CARACTERÍSTICAS

ESPECIFICACIONES DEL PRODUCTO

Fuente de doble potencia de alimentación batería de 18 V
o corriente de 120 V, sólo corr. alt., 60 Hz.

Capacidad nominal en BTU30 000–60 000
Fuente de combustible..... Propano (no incluida)

HERRAMIENTAS NECESARIAS

Para armar la unidad y efectuar ajustes se necesitan las siguientes herramientas (no incluido):

Llave ajustable

ARMADO

DESEMPAQUETADO

Este producto requiere armarse.

- Extraiga cuidadosamente de la caja la herramienta y los accesorios. Todos los elementos enumerados en la sección “**Se incluye**” se deben incluir al momento de la compra.

ADVERTENCIA:

Items in this **Assembly** section are not assembled to the product by the manufacturer and require customer installation. El uso de un producto que puede haber sido ensamblado de forma inadecuada podría causar lesiones personales graves.

- Si hay piezas dañadas o faltantes, le suplicamos llamar al 1-800-525-2579, donde le brindaremos asistencia.

ADVERTENCIA:

Si falta o está dañada alguna pieza, no utilice este producto sin haber reemplazado la pieza. Usar este producto con partes dañadas o faltantes puede causar lesiones serias al operador.

ADVERTENCIA:

No intente modificar este producto ni hacer aditamentos ni accesorios no recomendados para el mismo. Cualquier alteración o modificación constituye maltrato y puede causar una condición peligrosa, y como consecuencia posibles lesiones corporales graves.

COLOCACIÓN DEL MANGO

Vea la figura 1, página 13.

- Apague el calentador de propano colocando el interruptor en OFF.
- Alinee la lengüeta en la parte inferior del mango con la ranura de la parte superior del calentador.

NOTA: Los orificios para tornillos del mango y el calentador también deben alinearse si el mango está orientado correctamente.

- Use los tornillos proporcionados (4) para sujetar el mango al calentador.
- Tighten each screw securely.

USO EL PROPANO (PROPANO LÍQUIDO TAMBIÉN LLAMADO PETRÓLEO LÍQUIDO)

El propano es altamente inflamable y puede prenderse fuego inesperadamente al mezclarse con el aire. El cilindro de gas propano usado con esta heater debe cumplir con los siguientes requisitos:

- Debe ser construido y marcado según las Especificaciones para cilindros de gas PL (Specifications for LP Gas Cylinders) del Departamento de Transporte (Department of Transportation, D.O.T.) de los EE. UU., o según las Normas Nacionales de Canadá (National Standard of Canada), CAN/CSA-B339, Cilindros, esferas y cilindros para la Comisión de transportes de artículos peligrosos.
- Medidas: 304,8 mm (12 pulg.) de diámetro x 457,2 mm (18 pulg.) de alto con una capacidad máxima de 9,09 kg (20 lb).
- La válvula del cilindro debe tener:
 - Dispositivo de conexión al cilindro (Tipo 1) compatible con el conector para la heater.
 - Válvula de alivio de seguridad.
 - Dispositivo de Prevención de Sobrellenado (Overfill Protection Device, OPD) registrado en Underwriter’s Laboratories (UL). Esta característica de seguridad OPD está identificada por una manivela triangular exclusiva. Use solo cilindros de propano con este tipo de válvula.
- Está preparado para la eliminación de vapor e incluye un collar para proteger la válvula del cilindro propano. Siempre conserve el cilindro de gas propano en posición vertical durante el uso, transporte o almacenamiento.



OPD MANIVELA

ARMADO

PRUEBA DEL CILINDRO DE GAS PROPANO

Vea la figura 1, página 14.

- Asegúrese de que el cilindro de gas propano esté desconectado de la manguera y del regulador de gas propano.
- Usando un pincel limpio y una mezcla de jabón suave y agua en una proporción de 50/50, cepille con solución jabonosa las áreas indicadas con flechas en la figura 1.
- La “formación” de burbujas indica que hay una fuga. No use ni mueva el cilindro de gas propano. ¡Comuníquese con un proveedor de gas o con el departamento de bomberos!
- Si advierte o huele un escape de gas o escucha el silbido del cilindro de gas propano:
 - Aléjese del cilindro de gas propano.
 - No intente corregir el problema usted mismo.
 - Llame a su departamento de bomberos local.
- Si no hay fugas presentes, puede proceder con la instalación y conexión del cilindro de gas propano.

INSTALACIÓN DEL CILINDRO DE PROPANE

Vea las figuras 2 a 5, páginas 14 y 15.

Para conectar:

- Usando una llave ajustable (no provista), atornille el extremo abierto de la manguera de propano a la entrada de propano en el calentador.

NOTA: Para usar por primera vez, retire la tapa del protector de goma que protege la entrada de propano durante el envío. Conserve la tapa de goma y vuelva a instalarla para evitar daños en la entrada de propano y cuando guarde el calentador.

- Asegúrese de que manivela del cilindro de gas propano está en su posición apagado, luego retire la tapa del cilindro.
- Sostenga el regulador firmemente e introduzca la boquilla dentro de la válvula del cilindro de gas.

NOTA: La boquilla debe estar centrada en la válvula del cilindro.

- Sosteniendo la tuerca de acoplamiento y el regulador como se muestra, gire la tuerca de acoplamiento hacia la izquierda y apriete con la mano sin estropear la conexión. No use herramientas.

NOTA: Las roscas del regulador están a la izquierda. El regulador se sellará en la válvula del cilindro, lo que provocará cierta resistencia. **Se requiere de medio giro a tres cuartos de giro adicional para completar la conexión.** Si no puede completar la conexión, desconecte el regulador y repita los dos pasos anteriores. Si aún no puede completar la conexión, ¡NO USE este regulador!

- Inspeccione conexiones de válvula portan y el regulador. Busque cualquier daño o los escombros. Quite cualquier escombros. Inspeccione manga para el daño. **Nunca**

tentativa a nosotros dañamos ni tapamos equipo. **Vea a su Comerciante local de propano de elepé para reparaciones.**

Para desconectar:

- Sostenga el regulador con firmeza y gire la tuerca de acoplamiento en sentido horario para quitarla.
- Coloque la tapa guardapolvo en la salida de la válvula del cilindro cuando el cilindro no esté en uso.

NOTA: Solo instale el tipo de tapa guardapolvo en la salida de la válvula del cilindro que se suministró con la válvula del cilindro. Otros tipos de tapas o tapones pueden provocar una fuga de propano.

PRUEBA DE VÁLVULAS, MANGUERA Y REGULADOR PARA VERIFICAR QUE NO HAYA FUGAS

PELIGRO:

NO fume ni use llamas abiertas durante la prueba de fugas. Si hay una fuga, el gas podría prenderse y provocar lesiones personales graves.

ADVERTENCIA:

Para evitar lesiones personales graves, siempre verifique que no haya fugas de gas cada vez que se desconecte y se vuelva a conectar el cilindro de gas propano.

En la fábrica se realizaron pruebas en las conexiones de la manguera y del regulador para asegurar que no hubiera fugas. Sin embargo, el envío y la manipulación pueden aflojar las conexiones. Como precaución de seguridad:

- Ponga el interruptor del calentador en OFF (apagado).
- Asegúrese de que el regulador esté conectado correctamente al cilindro de gas propano.
- Para abrir la válvula del cilindro: gire la manivela hacia la izquierda.

NOTA: Si escucha un *soplido*, apague la válvula del cilindro de inmediato. Este sonido significa que hay una fuga importante en la conexión. Corrija el problema antes de continuar.

- Con una brocha para pintar limpia y una mezcla 50/50 de jabón suave y agua, limpie todas las conexiones y accesorios del producto, la manguera y el cilindro de propano.
- La “formación” de burbujas indica que hay una fuga. Cierre la válvula del cilindro; luego, vuelva a apretar todas las conexiones.

NOTA: Si no puede detener las fugas, no intente repararlas. Solicite piezas de repuesto.

- Si no usa la calentador inmediatamente después de la prueba de fugas, cierre la válvula del cilindro haciéndola girar hacia la derecha.

FUNCIONAMIENTO

⚠ ADVERTENCIA:

No permita que su familiarización con las herramientas lo vuelva descuidado. Tenga presente que un descuido de un instante es suficiente para causar una lesión grave.

⚠ ADVERTENCIA:

No utilice ningún aditamento o accesorio no recomendado por el fabricante de esta herramienta. El empleo de aditamentos o accesorios no recomendados podría causar lesiones serias.

⚠ ADVERTENCIA:

Riesgo de incendio. Nunca coloque el calentador en un ángulo descendente o hacia materiales combustibles. Este calentador debe ubicarse alejado de superficies combustibles a no menos de 609,60 mm (24 pulg.) de la parte posterior y lateral del calentador y 182,88 cm (72 pulg.) de la parte superior y la salida delantera del calentador. El calentador debe colocarse en una superficie nivelada y el flujo del aire de combustión y ventilación no debe obstruirse.

USOS

Esta herramienta puede emplearse para los fines enumerados abajo:

- Calefacción general de espacios al aire libre y la mayoría de los sitios de construcción con una ventilación adecuada

AVISO:

Este producto está diseñado para ser alimentado con un paquete de baterías Ryobi 18 V (modo CC) o mediante alimentación eléctrica (modo CA). Puede utilizarse cualquier fuente de alimentación instalando un paquete de baterías aprobado o un cable de alimentación dentro del producto, como se describe en este manual.

INSTALACIÓN/DESMONTAR DEL PAQUETE DE BATERÍAS

Vea la figura 6, página 15.

- Coloque el paquete de baterías en el producto como se muestra.
- Asegúrese de que los pestillos situados en ambos lados del paquete de baterías se deslicen completamente en su lugar y de que el paquete quede bien fijo en el producto antes de empezar a utilizarlo.

- Oprima los pestillos para extraer el paquete de baterías. Para obtener instrucciones específicas de carga, lea el manual del operador que se incluye con el cargador y la batería.

⚠ ADVERTENCIA:

Retire siempre el paquete de baterías o cordón de extensión del producto antes de instalar las piezas, realizar ajustes, limpiarla o cuando no la utilice. Retirar el paquete de baterías o cordón de extensión evitará que la unidad se accione accidentalmente y provoque lesiones graves.

INSTALACIÓN/DESMONTAR DEL CABLE DE ALIMENTACIÓN (NO INCLUIDA)

Vea la figura 7, página 15.

- Inserte el extremo hembra de un cable de extensión para exteriores con clasificación 16 AWG en el producto tal como se muestra.
- Conecte el extremo macho del cable de alimentación a la fuente de alimentación.
- Asegúrese de que el cable de alimentación esté asegurado antes de comenzar con el funcionamiento.

ENCENDIDO Y APAGADO DE CALENTADOR

Vea la figura 8, página 15.

⚠ ADVERTENCIA:

Posicione el calentador de forma apropiada antes de usarlo. Ubique el calentador en una superficie estable y nivelada si el calentador está funcionando y a, al menos, 2,13 m (7 pies) (EE. UU.) o 3 m (10 pies) (Canadá) de distancia y no en dirección a contenedores de LP (propano) a 3,05 m (20 pies) de distancia.

El calentador debe inspeccionarse antes de cada uso (y al menos una vez al año): la inspección debe estar a cargo de personal cualificado.

Para encender:

- Asegúrese de que el cilindro de propano esté correctamente conectado, de que se haya realizado una prueba de fugas y de que la válvula del tanque esté totalmente abierta.
- NUNCA dirija el calentador hacia el tanque de propano. Coloque el tanque de propano detrás del calentador con la manguera de propano totalmente extendida a su mayor longitud.

FUNCIONAMIENTO

- Conecte el calentador a un cable de alimentación o un paquete de baterías aprobado.
- Presione el botón de encendido/apagado. El ventilador se encenderá y la primera válvula de gas se abrirá. El LED se iluminará en rojo fijo y luego se iluminará en verde cuando el quemador esté listo para encenderse. El LED verde parpadeante es un temporizador configurado en 10 segundos para permitir que el termostato se caliente hasta el rango de funcionamiento una vez que se enciende el quemador.
- Appuyer sur le bouton d'allumage électronique et la deuxième vanne s'ouvre sur le brûleur. Maintenir la pression jusqu'à ce que la LED affiche un vert solide. Relâcher le bouton de l'allumeur et le brûleur devrait rester allumé.

NOTA: Si le brûleur ne reste pas allumé, attendre 30 secondes et répéter les étapes de démarrage, en vous assurant que vous appuyez sur le bouton d'allumage électronique dès que le voyant commence à clignoter en vert et que vous le maintenez enfoncé jusqu'à ce que le voyant affiche un vert fixe pour verrouiller la vanne de gaz en position de marche. Si aún no se enciende, compruebe el nivel de combustible en el cilindro de propano.

NOTA: La luz LED en rojo sólido indica un estado defectuoso. Comuníquese con el Servicio de atención al cliente.

Para apagar:

- Presione el botón de encendido/apagado. El calentador se apagará automáticamente.
- Gire el volante en el cilindro de propano hacia la posición totalmente apagada.
- Retire el manguera y regulador del cilindro de propano y vuelva a colocar la tapa en el cilindro.
- Retire el cable de alimentación o la batería de la unidad.

Para reiniciar:

- Deje enfriar la unidad cinco minutos.
- Siga los pasos detallados en la sección **Encendido y apagado de calentador**.

AVISO:

La unidad puede encenderse de nuevo inmediatamente si se presiona el botón de encendido/apagado menos de 5 minutos después del apagado y no ha pasado el tiempo suficiente para que la válvula de gas se enfríe por completo. Asegúrese de que el calentador esté en una posición segura antes de presionar el botón de encendido/apagado.

CONTROLE DE TEMPERATURA

Veá la figura 8, página 15.

La perilla de control de temperatura controla la tasa de flujo del propano para la salida de calor variable. El control de temperatura de ajusta de 30.000 a 60.000 BTU.

- Para temperaturas más altas, gire el perilla de controle de temperatura en la dirección de las agujas del reloj.
- Para temperaturas más bajas, gire el perilla de temperatura en el sentido contrario a las agujas del reloj.

APAGADO AUTOMÁTICO

La válvula de gas se apagará automáticamente durante cualquiera de las siguientes condiciones:

- **Llama apagada:** si el tanque de propano está vacío o la llama se extingue accidentalmente.
- **Exceso de temperatura:** Si el flujo de aire se bloquea o la temperatura dentro de la unidad es demasiado alta, la primera válvula se cerrará automáticamente y el LED parpadeará en rojo. El calentador se puede volver a encender después de que el termostato se enfríe.

NOTA: Un LED rojo parpadeante indica un error de funcionamiento. Asegúrese de que el flujo de aire no esté restringido. Apague la unidad y reiníciela.

- **Bajo voltaje:** como un corte de corriente o batería baja.
- **Rotación incorrecta del ventilador:** Si el ventilador no gira correctamente, la unidad se apagará automáticamente y el LED se iluminará en rojo fijo. El LED permanecerá rojo fijo y la unidad se apagará antes de encenderse si todavía hay un problema con el ventilador. Si la batería del ventilador se agota, el sistema cerrará la válvula.

ALMACENAMIENTO

Cuando no se lo utiliza, siempre retire el cilindro de gas propano, manguera y regulador de gas propano, el paquete de baterías y/o cable de alimentación de la unidad. Conserve la tapa de goma y vuelva a instalarla para evitar daños en la entrada de propano y cuando guarde el calentador. Siempre guarde la unidad en el interior.

MAINTENANCE

WARNING

When servicing, use only identical replacement parts. Use of any other parts can create a hazard or cause product damage.

WARNING

To avoid serious personal injury, always remove the battery pack or extension cord from the product when cleaning or performing any maintenance.

GENERAL MAINTENANCE

Avoid using solvents when cleaning plastic parts. Most plastics are susceptible to damage from various types of commercial solvents and may be damaged by their use. Use clean cloths to remove dirt, dust, oil, grease, etc.

WARNING

Do not at any time let brake fluids, gasoline, petroleum-based products, penetrating oils, etc., come in contact with plastic parts. Chemicals can damage, weaken or destroy plastic which can result in serious personal injury.

ENTRETIEN

AVERTISSEMENT

Utiliser exclusivement des pièces d'origine pour les réparations. L'usage de toute autre pièce pourrait créer une situation dangereuse ou endommager l'produit.

AVERTISSEMENT

Pour éviter des blessures graves, toujours retirer le piles o cordon prolongateur de l'produit avant tout nettoyage ou entretien.

ENTRETIEN GÉNÉRAL

Éviter d'utiliser des solvants pour le nettoyage des pièces en plastique. La plupart des matières plastiques peuvent être endommagées par divers types de solvants du commerce. Utiliser un chiffon propre pour éliminer la saleté, la poussière, l'huile, la graisse, etc.

AVERTISSEMENT

Ne jamais laisser de liquides tels que le fluide de freins, l'essence, les produits à base de pétrole, les huiles pénétrantes, etc., entrer en contact avec les pièces en plastique. Les produits chimiques peuvent endommager, affaiblir ou détruire le plastique, ce qui peut entraîner des blessures graves.

MANTENIMIENTO

ADVERTENCIA

Al dar servicio a la unidad, sólo utilice piezas de repuesto idénticas. El empleo de piezas diferentes puede causar un peligro o dañar el producto.

ADVERTENCIA

Para evitar lesiones corporales serias, siempre retire el paquete de baterías o cordón de extensión de la herramienta al limpiarla o darle mantenimiento.

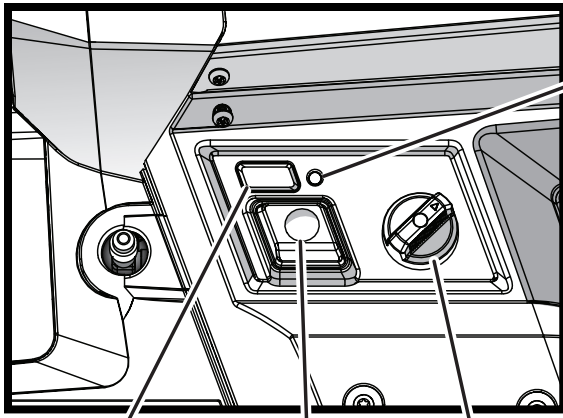
MANTENIMIENTO GENERAL

Evite el empleo de solventes al limpiar piezas de plástico. La mayoría de los plásticos son susceptibles a diferentes tipos de solventes comerciales y pueden resultar dañados. Utilice paños limpios para eliminar la suciedad, el polvo, el aceite, la grasa, etc.

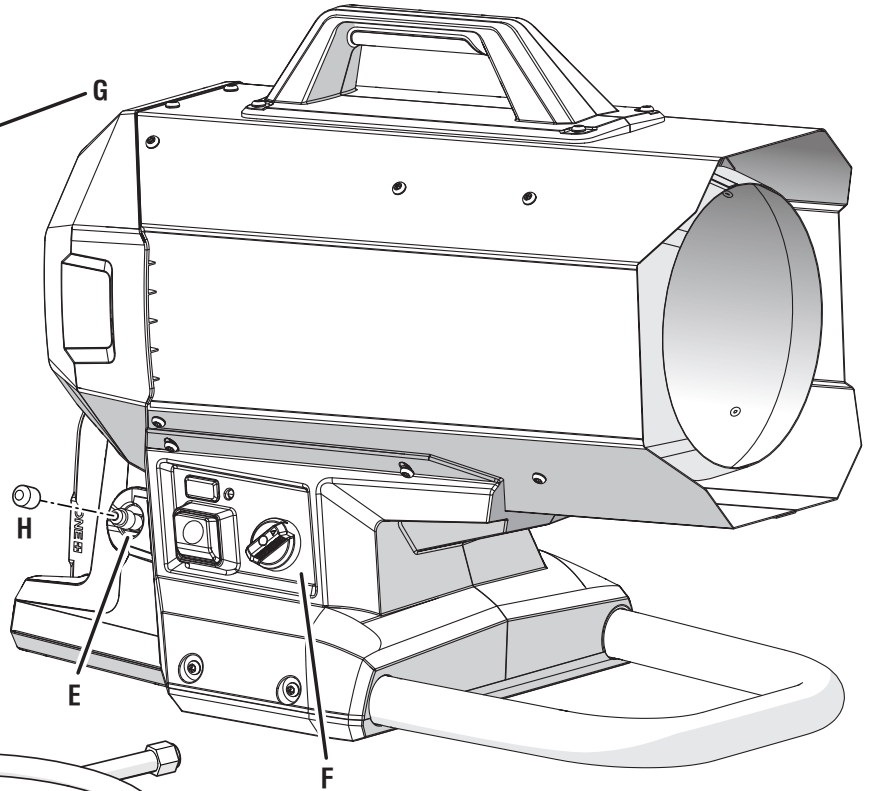
ADVERTENCIA

No permita en ningún momento que fluidos para frenos, gasolina, productos a base de petróleo, aceites penetrantes, etc., lleguen a tocar las piezas de plástico. Las sustancias químicas pueden dañar, debilitar o destruir el plástico, lo cual a su vez puede producir lesiones corporales serias.

PCL801



- A - On/off button (bouton « on/off » (marche/arrêt), botón de encendido y apagado)
- B - Electronic ignition button (bouton d'allumage électronique, botón de encendido electrónico)
- C - Temperature control knob (bouton de contrôle de température, perilla de control de temperatura)



- D - Propane hose and regulator (tuyau et régulateur de propane, manguera y regulador de gas propano)
- E - Propane inlet (vanne d'entrée de propane, entrada de gas propano)
- F - Control panel (panneau de commande, panel de control)
- G - LED (DEL, LED)
- H - Rubber cap (bouchon du en caoutchouc, tapa de goma)

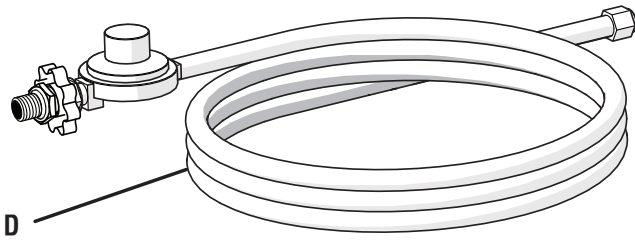
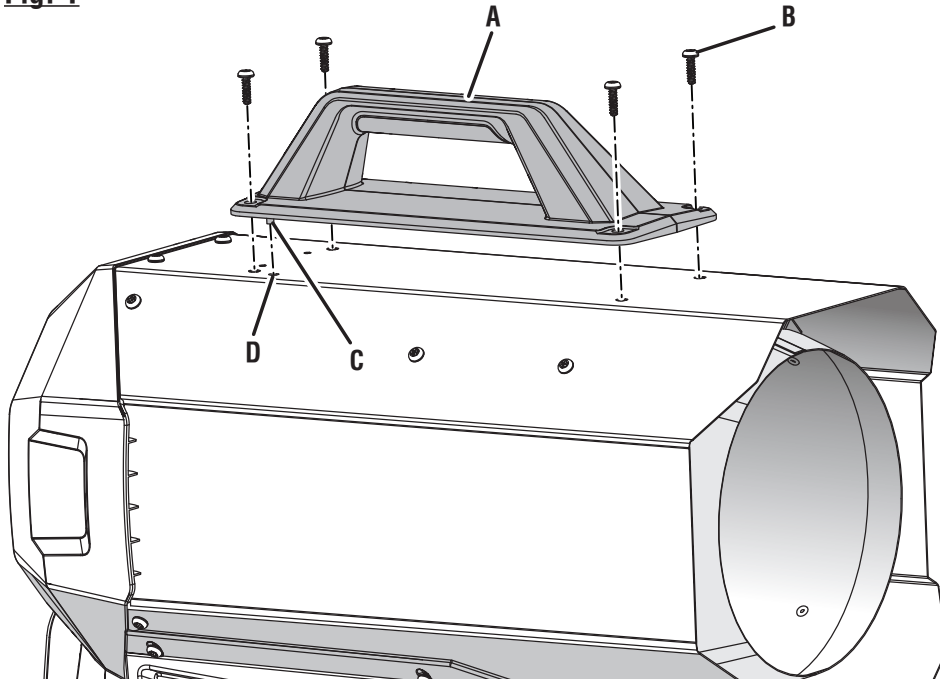


Fig. 1



- A - Handle (poignée, mango)
- B - Screw (vis, tornillo)
- C - Tab (languette, lengüeta)
- D - Slot (fente, ranura)

Fig. 2

**PROPANE CYLINDER WITH
"GROWING" BUBBLES**
**BOUTEILLE DE PROPANE AVEC
« BULLES CROISSANTES »**
**CILINDRO DE GAS PROPANO CON
"FORMACIÓN DE BURBUJAS"**

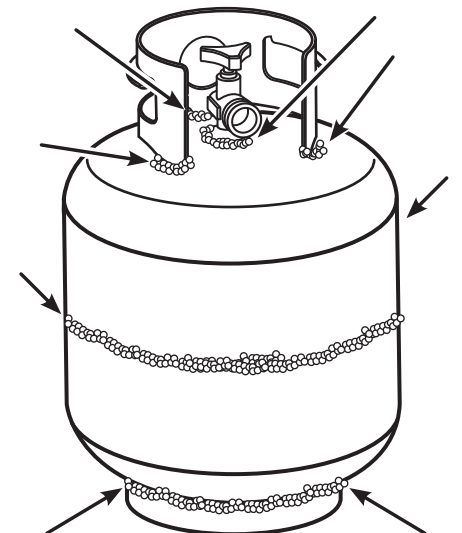
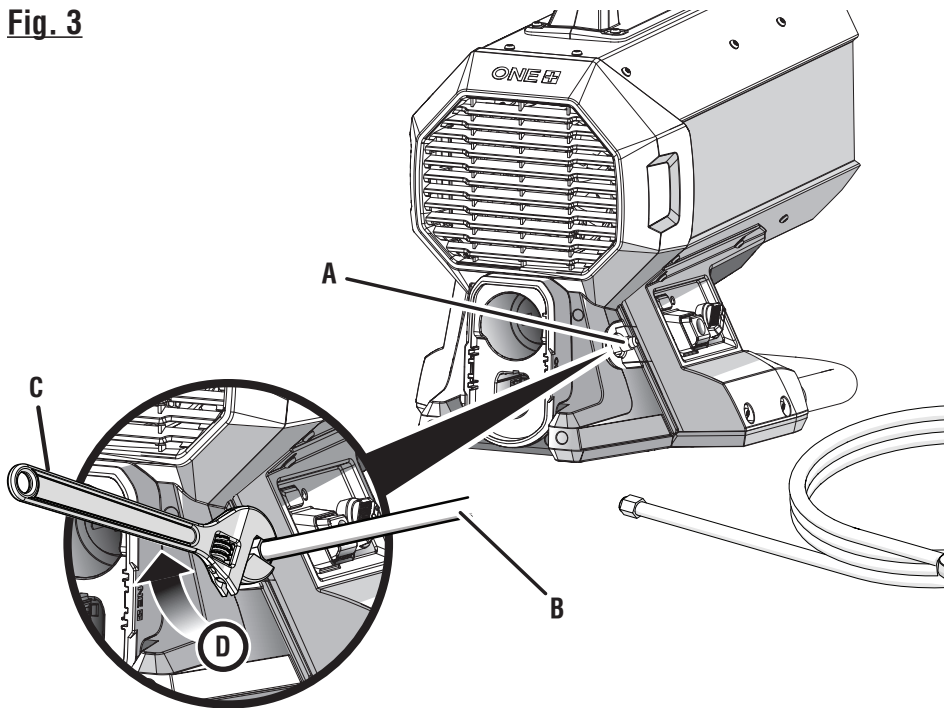
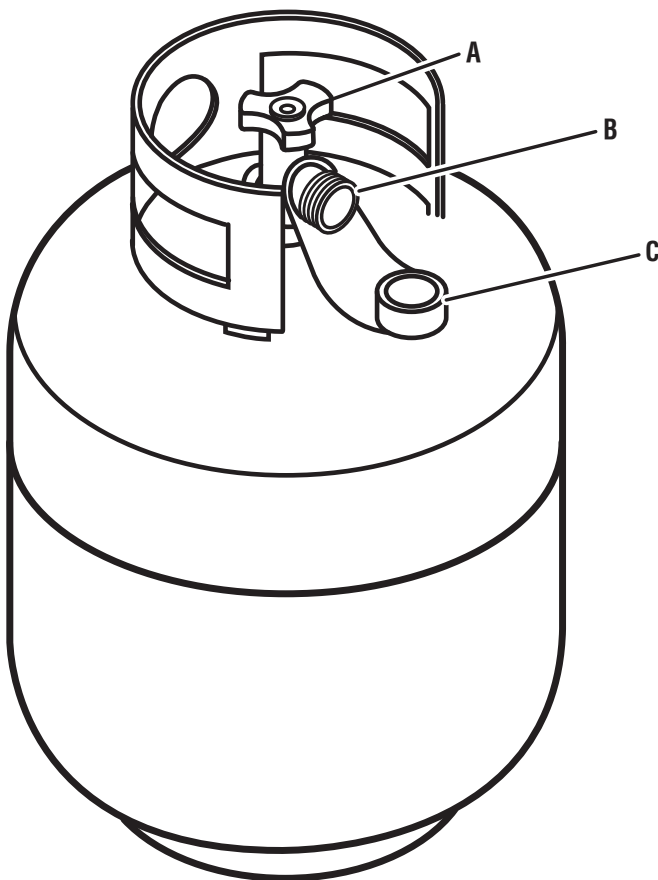


Fig. 3



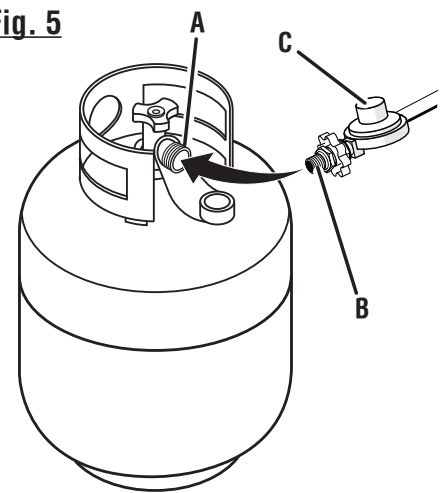
- A - Propane inlet (vanne d'entrée de propane, entrada de gas propano)
- B - Open end of the propane hose (extrémité ouverte du tuyau de propane, extremo abierto de la manguera de gas propano)
- C - Adjustable wrench (clé a molette, llave ajustable)
- D - Tighten (serrer, apriete)

Fig. 4



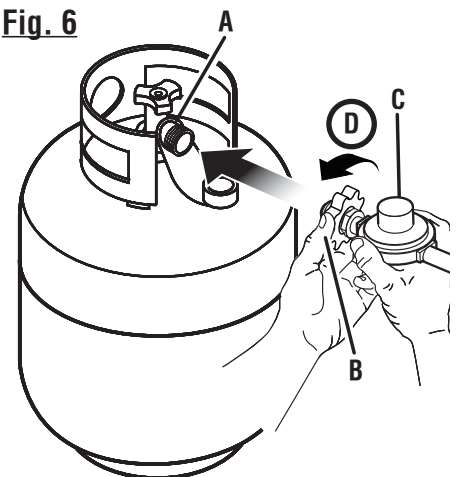
- A - Handwheel (volant, volante)
- B - Cylinder valve (vanne de bouteille, válvula del cilindro)
- C - Cap (capuchon, correa)

Fig. 5



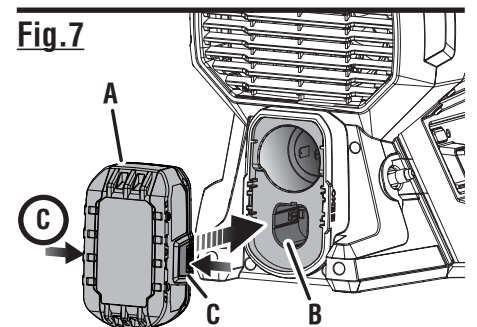
- A - Cylinder valve (vanne de bouteille, válvula del cilindro)
- B - Nipple (têton, conexión)
- C - Regulator (régulateur, regulador)

Fig. 6



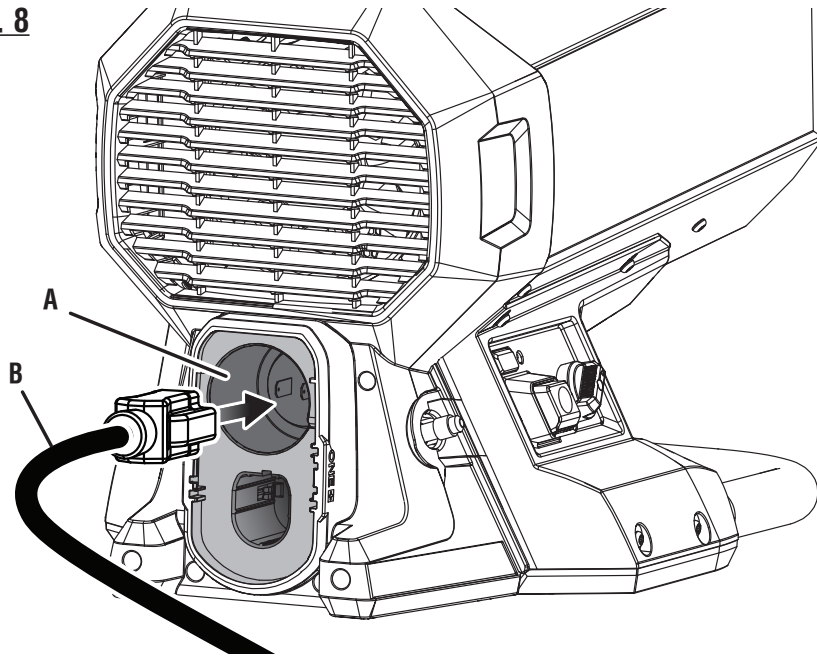
- A - Cylinder valve (vanne de bouteille, válvula del cilindro)
- B - Coupling nut (écrou de connexion, tuerca de acoplamiento)
- C - Regulator (régulateur, regulador)
- D - Tighten (serrer, apriete)

Fig. 7



- A - Battery pack (bloc-pile, paquete de batería)
- B - Battery port (logements de bloc-piles, puertos de baterías)
- C - Latches (loquet, pestillo)

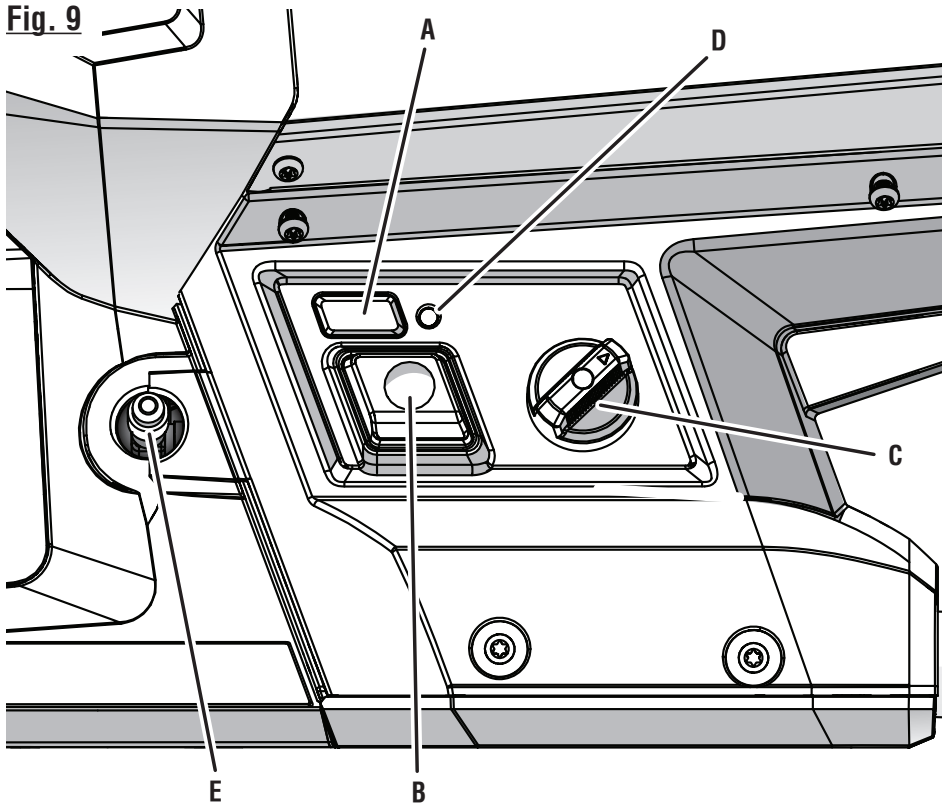
Fig. 8



A - Receptacle (prise, receptáculo)

B - Power cord (cordon d'alimentation, cordón de corriente)

Fig. 9



A - On/off button (bouton « On/off » (marche/arrêt), botón de encendido y apagado)

B - Electronic ignition button (bouton d'allumage électronique, botón de encendido electrónico)

C - Temperature control knob (bouton de contrôle de température, perilla de control de temperatura)

D - LED (DEL, LED)

E - Propane inlet (vanne d'entrée de propane, entrada de gas propano)



OPERATOR'S MANUAL/18 V HYBRID FORCED AIR PROPANE HEATER
MANUEL D'UTILISATION/APPAREIL DE CHAUFFAGE HYBRIDE AU PROPANE
ET À AIR FORCÉ DE 18 V
MANUAL DEL OPERADOR/CALENTADOR A GAS PROPANO DE AIRE FORZADO
HÍBRIDO DE 18 V
PCL801

To request service, purchase replacement parts,
locate an Authorized Service Center or obtain Customer or Technical Support:
Visit **www.ryobitools.com** or call **1-800-525-2579**

If any parts or accessories are damaged or missing, do not return this product to the store.
Call **1-800-525-2579** for immediate service.

Please obtain your model and serial number from the product data plate.
This product is covered under a 3-year limited Warranty. Proof of purchase is required.

MODEL NUMBER* _____ SERIAL NUMBER _____

**Model number on product may have additional letters at the end. These letters designate manufacturing information and should be provided when calling for service.*

RYOBI is a trademark of Ryobi Limited and is used pursuant to a license granted by Ryobi Limited.

Pour faire une demande de réparations ou obtenir des pièces de rechange, trouver un
Centre de réparations agréé pour obtenir un soutien technique ou le Service à la clientèle :
Visiter **www.ryobitools.com** ou en téléphonant au **1-800-525-2579**

Si des pièces ou accessoires sont manquantes ou endommagées, ne pas retourner
ce produit au magasin. Appeler immédiatement au **1-800-525-2579** pour obtenir de l'aide.

Inscrire les numéros de modèle et de série inscrits sur la plaque d'identification du produit.
Ce produit est couvert par une garantie limitée de trois (3) ans. Une preuve d'achat est exigée.

NUMÉRO DE MODÈLE* _____ NUMÉRO DE SÉRIE _____

**Le numéro de modèle sur le produit peut contenir des lettres supplémentaires à la fin. Ces lettres désignent les informations du fabricant et doivent être fournies lors d'un appel de demande de service.*

RYOBI est une marque de Ryobi Limited et est utilisée en vertu d'une licence accordée par Ryobi Limited.

Para obtener servicio, comprar piezas de repuesto, localizar un centro
de servicio autorizado y obtener Servicio o Asistencia Técnica al Consumidor:
Visite **www.ryobitools.com** o llame al **1-800-525-2579**

Si hay alguna pieza ou accesorios dañada o faltante, no devuelva este producto a la tienda.
Llame al **1-800-525-2579** para servicio técnico inmediato.

Obtenga su modelo y número de serie de la placa de datos del producto.
Este producto está cubierto con una garantía limitada de 3 años. Se solicita prueba de la compra.

NÚMERO DE MODELO* _____ NÚMERO DE SERIE _____

**El número de modelo que figura en el producto podría tener letras adicionales al final. Estas designan información de fabricación y deben suministrarse cuando llame para obtener asistencia o servicio.*

RYOBI es una marca de Ryobi Limited y se utiliza conforme a una licencia otorgada por Ryobi Limited.

TTI CONSUMER POWER TOOLS, INC.

P.O. Box 1288, Anderson, SC 29622 • Phone 1-800-525-2579
États-Unis, Téléphone 1-800-525-2579 • USA, Teléfono 1-800-525-2579

www.ryobitools.com

999000034
3-17-23 (REV:02)