



OPERATOR'S MANUAL

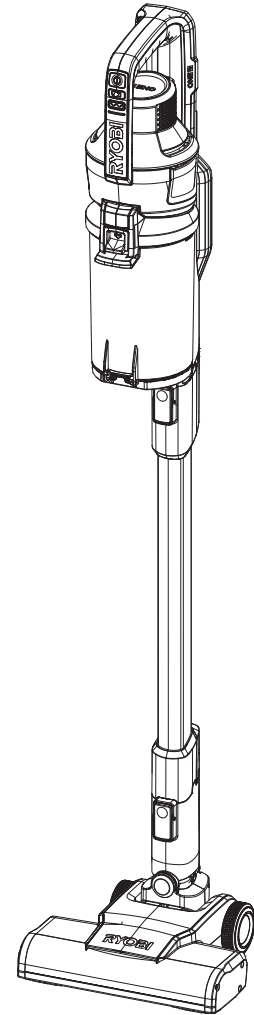
MANUEL D'UTILISATION
MANUAL DEL OPERADOR

RYOBI™ ONE+ STICK VACUUM WITH FLOOR NOZZLE

ASPIRATEUR-BALAI RYOBI™ ONE+
AVEC BUSE DE SOL

ASPIRADORA TIPO ESCOBA RYOBI™ ONE+
CON BOQUILLA PARA PISOS

PCL720/PCL720BB



INCLUDES: Stick Vac, Crevice Tool, Dust brush, Accessory Holder, Operator's Manual

INCLUT : Aspirateur vertical, Suceur plat, Brosse à poussière, Support d'accessoire, Manuel d'utilisation

INCLUYE: Aspiradora tipo escoba, Herramienta para hendiduras, Para polvo, Soporte de accesorio, Manual del operador

TABLE OF CONTENTS

- Important Safety Instructions 2-3
- Symbols..... 3-4
- Assembly 4
- Operation..... 5-6
- Maintenance..... 7
- Illustrations 8-10
- Parts Ordering and ServiceBack page

TABLE DES MATIÈRES

- Instructions importantes concernant la sécurité..... 2-3
- Symboles..... 3
- Assemblage..... 4
- Utilisation 5-6
- Entretien 7
- Illustrations 8-10
- Commande de pièces et dépannagePage arrière

ÍNDICE DE CONTENIDO

- Importantes instrucciones de seguridad 2-3
- Símbolos 4
- Armado..... 4
- Funcionamiento..... 5-6
- Mantenimiento..... 7
- Ilustraciones 8-10
- Pedidos de piezas y servicio Pág. posterior

⚠ WARNING: To reduce the risk of injury, the user must read and understand the operator's manual before using this product.

⚠ AVERTISSEMENT : Pour réduire les risques de blessures, l'utilisateur doit lire et veiller à bien comprendre le manuel d'utilisation avant d'employer ce produit.

⚠ ADVERTENCIA: Para reducir el riesgo de lesiones, el usuario debe leer y comprender el manual del operador antes de usar este producto.

SAVE THIS MANUAL FOR FUTURE REFERENCE

CONSERVER CE MANUEL POUR FUTURE RÉFÉRENCE

GUARDE ESTE MANUAL PARA FUTURAS CONSULTAS

IMPORTANT SAFETY INSTRUCTIONS

SAVE THESE INSTRUCTIONS

When using an electrical appliance, basic precautions should always be followed, including the following:

WARNING!

Read and understand all instructions. Failure to follow all instructions listed below, may result in electric shock, fire and/or serious personal injury.

READ ALL INSTRUCTIONS BEFORE USING THIS APPLIANCE

WARNING:

To reduce the risk of electric shock **DO NOT** expose to rain. Store indoors.




- **Dress properly. Do not wear loose clothing or jewelry. Contain long hair. Keep your hair, loose clothing, fingers, and all parts of the body and clothing, away from openings and moving parts.** Loose clothes, jewelry, or long hair can be caught in internal moving parts.
- **Do not overreach. Keep proper footing and balance at all times.** Proper footing and balance enables better control of the product in unexpected situations. Do not use on a ladder or unstable support.
- **Use safety equipment.** Dust mask must be used for appropriate conditions.
- **Do not** allow children to operate product or play with product as a toy. Close attention is necessary when used by or near children.
- **Use this product ONLY for its intended use as described in this manual.** Use only the attachments recommended in this manual.
- **If product is not working properly, has been dropped, damaged, left outdoors, or dropped into water, return to your nearest service center.**
- **Do not** handle charger plug or product with wet hands.
- **Do not** put any objects in ventilation openings. Do not use with any opening blocked. Keep openings free of dust, lint, hair, and anything that may reduce air flow.
- **NEVER** vacuum materials that are burning or smoking, such as hot coals, cigarette butts, matches, burning or smoking ashes, etc.
- **DO NOT** use to pick up flammable or combustible liquids, such as gasoline, or use in areas where they may be present.
- **Do not** use without dust bowl or filter in place.
- **Use extra care when using on stairs.**
- **Do not** use to pick up hard objects such as nails, screws, coins, etc. Damage or injury could result.
- **Do not** incinerate this appliance even if it is severely damaged. The batteries can explode in a fire.
- **Product does not have to be plugged into an electrical outlet, therefore it is always in operating condition.** Be aware of possible hazards when using the product or when changing accessories.
- **Use battery only with charger listed.** For use with 18 V lithium-ion battery packs, see tool/appliance/battery pack/charger correlation supplement 987000-432. Do not use charger outdoors.
- **When battery pack is not in use, keep it away from other metal objects like: paper clips, coins, keys, nails, screws, or other small metal objects that can make a connection from one terminal to another.** Shorting the battery terminals together may cause sparks, burns, or a fire.
- **Always remove battery pack from your tool when you are assembling parts, making adjustments, cleaning, or when not in use.** Removing battery pack will prevent accidental starting that could cause serious personal injury.
- **Do not use a battery pack that is damaged or modified.** Damaged or modified batteries may exhibit unpredictable behavior resulting in fire, explosion or risk of injury.
- **Do not modify or attempt to repair a battery pack that has been damaged.**
- **Batteries can explode in the presence of a source of ignition, such as excessive heat or a pilot light.** To reduce the risk of serious personal injury, never use any cordless product in the presence of an open flame or temperature above 265°F. An exploded battery can propel debris and chemicals. If exposed, flush with water immediately.
- **Prevent unintentional starting. Ensure the switch is in the off-position before connecting to power source and/or battery pack, picking up or carrying the product.** Carrying battery products with your finger on the switch or energizing battery products that have the switch on invites accidents.
- **Under abusive conditions, liquid may be ejected from the battery; avoid contact. If contact accidentally occurs, flush with water. If liquid contacts eyes, additionally seek medical help.** Liquid ejected from the battery may cause irritation or burns.
- **Protect your lungs. Wear a face or dust mask if the operation is dusty.** Following this rule will reduce the risk of serious personal injury.

IMPORTANT SAFETY INSTRUCTIONS

- Check for misalignment or binding of moving parts, breakage of parts, and any other condition that may affect the product's operation. If damaged, have the product serviced before using. Many accidents are caused by poorly maintained products.
- Use only accessories that are recommended by the manufacturer for your model. Accessories that may be suitable for one product may create a risk of injury when used on another product.
- Always turn off this appliance before connecting or disconnecting motorized nozzle.
- Follow all charging instructions and do not charge the battery pack or appliance outside of the temperature range specified in the instructions. Charging improperly or at temperatures outside of the specified range may damage the battery and increase the risk of fire.
- Do not let gasoline, oils, petroleum-based products, etc., come in contact with plastic parts. They contain chemicals that can damage, weaken, or destroy plastic.
- Have servicing performed by a qualified repair person using only identical replacement parts. This will ensure that the safety of the product is maintained.
- This product contains no serviceable parts.
- Save these instructions. Refer to them frequently and use them to instruct others who may use this product. If you loan someone this product, loan them these instructions also.
- Do not charge battery in a damp or wet location. Do not use, store, or charge battery packs or products in locations where the temperature is less than 50°F or more than 100°F. Do not store outside or in vehicles.
- Recharge only with the charger specified by the manufacturer. A charger that is suitable for one type of battery pack may create a risk of fire when used with another battery pack.
- Use appliances only with specifically designated battery packs. Use of any other battery packs may create a risk of injury and fire.
- Do not expose a battery pack or appliance to fire or excessive temperature. Exposure to fire or temperature above 265°F may cause explosion.
- Do not put hands or objects inside of floor nozzle attachment as this could cause a malfunction of the tool or risk of injury may occur.







SYMBOLS

The following signal words and meanings are intended to explain the levels of risk associated with this product.

SYMBOL	SIGNAL	MEANING
	DANGER:	Indicates a hazardous situation, which, if not avoided, will result in death or serious injury.
	WARNING:	Indicates a hazardous situation, which, if not avoided, could result in death or serious injury.
	CAUTION:	Indicates a hazardous situation, that, if not avoided, may result in minor or moderate injury.
	NOTICE:	(Without Safety Alert Symbol) Indicates information considered important, but not related to a potential injury (e.g. messages relating to property damage).

SYMBOLS

Some of the following symbols may be used on this product. Please study them and learn their meaning. Proper interpretation of these symbols will allow you to operate the product better and safer.

SYMBOL	NAME	DESIGNATION/EXPLANATION
	Safety Alert	Indicates a potential personal injury hazard.
	Read Operator's Manual	To reduce the risk of injury, user must read and understand operator's manual before using this product.
	Wet Conditions Alert	Do not expose to rain or use in damp locations.
	Long Hair	Risk of long hair being drawn into air inlet.
	Dust Bowl	Do not run unit while dust bowl is unsecured.
	Recycle Symbol	This product uses lithium-ion (Li-ion) batteries. Local, state or federal laws may prohibit disposal of batteries in ordinary trash. Consult your local waste authority for information regarding available recycling and/or disposal options.
V	Volts	Voltage
min	Minutes	Time
==	Direct Current	Type or a characteristic of current
n_0	No Load Speed	Rotational speed, at no load
.../min	Per Minute	Revolutions, strokes, surface speed, orbits etc., per minute

This is a “household type” product which means it is intended for household use.

ASSEMBLY

WARNING:

Do not use this product if it is not completely assembled or if any parts appear to be missing or damaged. Use of a product that is not properly and completely assembled or with damaged or missing parts could result in serious personal injury.

WARNING:

Do not attempt to modify this product or create accessories or attachments not recommended for use with this product. Any such alteration or modification is misuse and could result in a hazardous condition leading to possible serious personal injury.

If any parts are damaged or missing, please call 1-800-525-2579 for assistance.

OPERATION

WARNING:

Do not allow familiarity with this product to make you careless. Remember that a careless fraction of a second is sufficient to inflict serious injury.

WARNING:

Always remove battery pack from the tool when you are assembling parts, making adjustments, cleaning, or when not in use. Removing battery pack will prevent accidental starting that could cause serious personal injury.

WARNING:

Do not use any attachments or accessories not recommended by the manufacturer of this product. The use of attachments or accessories not recommended can result in serious personal injury.

APPLICATIONS

You may use this product for the following purpose:

- Light-duty vacuuming of dry surfaces
- Household type

INSTALLING/REMOVING BATTERY PACK

See Figure 1, page 8.

- Place the battery pack in the stick vacuum. Align the raised rib on the battery pack with groove in stick vacuum's battery port.
- Make sure the latches on each side of the battery pack snap into place and that the battery pack is secured in the stick vacuum before beginning operation.
- Locate the latches on the side of the battery pack and depress both sides to release the battery pack from the stick vacuum.

INSTALLING THE ACCESSORY HOLDER

See Figure 2, page 8.

- Choose the desired location for the accessory holder on the extension wand.
- Place the accessory holder onto the extension wand by firmly pressing the accessory holder onto the wand to secure.
- Accessories can be stored by inserting them from the top of the accessory holder.

STARTING/STOPPING THE VACUUM

See Figure 3, page 8.

- **To start the vacuum:** press the ON/OFF button.
- **To stop the vacuum:** press the ON/OFF button again.

HIGH/LOW SWITCH

See Figure 3, page 8.

The vacuum has two speeds to accommodate your cleaning needs.

NOTE: The vacuum always starts in high speed.

- Press the ECO button for LOW speed and the LED indicator illuminates white.
- Press the ECO button to return to HIGH speed and the LED indicator illuminates green.

NOTE: Pressing the ECO switch repeatedly will toggle the vacuum between the two speeds.

TURNING OFF THE ROLLER BRUSH

See Figure 3, page 8

The floor nozzle can be used with the roller brush turned off.

To cancel the roller brush:

- Press the roller brush ON/OFF button, located below the ECO button to cancel the use of the roller brush.

To reactivate the roller brush:

- Press the roller brush ON/OFF button again to turn the roller brush back on.

Note: If vacuum is turned off while the roller brush is off, when the vacuum is turned back on, the roller brush will default to the ON setting.

OPERATION

USING THE FLOOR NOZZLE

See Figures 4, page 9

The floor nozzle can connect directly to the vacuum for cleaning upholstery and stairs or attach with the extension wand for normal floor vacuuming.

NOTE: When not in use, always store the unit out of high traffic areas like a closet or lie flat to prevent falling over. Never stand alone in the upright position. There is a lip located on the handle of the vacuum that allows it to catch on a surface to prevent it from slipping.

To connect:

- Switch off unit and remove the battery pack.
- Align the pins on the floor nozzle with the receptacle in the stick vacuum or extension wand.
- Press together until it clicks into place.
- Replace battery pack.

To remove:

- Switch off unit and remove the battery pack.
- Depress locking tab and pull to remove.

ATTACHING AND REMOVING THE EXTENSION WAND AND ACCESSORY TOOLS

See Figure 5, page 9

The extension wand and accessory tools can be used together or separately for a variety of cleaning tasks.

To connect:

- Switch off unit and remove the battery pack.
- For the extension wand, align the pins on the extension wand with the receptacle in the stick vacuum.
- Press together until it clicks into place.
- For accessory tools, insert the tool into the outlet of the stick vacuum or the extension wand.
- Press together until it fits securely.
- Replace battery pack.

To remove:

- Switch off unit and remove the battery pack.

- Depress locking tab and pull to remove.

REMOVING/EMPTYING//REATTACHING THE DUST BOWL

See Figures 6 - 8, page 9 .

The dust bowl should be checked, emptied, and cleaned periodically for maximum dust collection.

To empty:

- Remove the battery pack.
- Push the release button located on the front of the vacuum. Pull the dust bowl down and out.
- Hold unit over waste receptacle.
- Press lock button on bottom of bowl to release spring loaded door.
- Shake lightly or tap sides to dislodge debris.
- Close door, pressing firmly until lock button engages.

To remove:

- Remove the battery pack.
- Push the release button located on the front of the vacuum. Pull the dust bowl down and out.

To reattach:

- Position the two sections as shown.
- Align the tab on the bottom of dust bowl with the slot on the bottom of motor housing.

NOTE: Make sure tab and slot are aligned correctly before securing the dust bowl.

- Snap the two sections together.

REMOVING BLOCKAGES AND CLEANING THE FLOOR NOZZLE

See Figure 9, page 10.

Obstructions in the floor nozzle may activate the overload protection sensor and must be removed. The floor nozzle will stop and the light on the floor nozzle illuminates red.

To reset:

- Remove the battery pack.
- Remove the floor nozzle assembly from the wand or stick vacuum base and clear any obstructions with a blunt object.
- Wait at least 1 minute before reattaching the assembly.

For use with PCL720BB, PBLBB716, or
PBLBB717 Floor nozzle

MAINTENANCE

This product contains no serviceable parts.

GENERAL MAINTENANCE

Avoid using solvents when cleaning plastic parts. Most plastics are susceptible to damage from various types of commercial solvents and may be damaged by their use. Use clean cloths to remove dirt, dust, oil, grease, etc.

WARNING:

Do not at any time let brake fluids, gasoline, petroleum-based products, penetrating oils, etc., come in contact with plastic parts. Chemicals can damage, weaken or destroy plastic which could result in serious personal injury.

REMOVING THE ROLLER BRUSH FOR CLEANING

See Figure 10, page 10.

The roller brush is located inside the floor nozzle assembly. The floor nozzle assembly has a tool-free end cap, allowing the roller brush to be easily removed for cleaning.

To remove:

- Insert a coin into the slot on the end of the roller brush. Rotate the end cap approximately 1/4 in. counterclockwise to unlock the roller brush.
- Slide the brush to release the cap and pull the brush from the floor nozzle assembly.

NOTE: Use scissors to remove any threads or hair wrapped around the roller brush using the scissor grooves.

To reattach:

- Insert the roller brush into the floor nozzle assembly.
- Align the tabs on the cap to the notches on the floor nozzle assembly and firmly press the cap into place.

NOTE: Make sure the opposite end of the roller brush is aligned to the drive spindle when pressing the cap into the assembly housing.

- Turn the end cap 1/4 in. clockwise with coin to lock into place.

CLEANING/REPLACING THE FILTER

See Figure 11, page 10.

- Remove the battery pack and the dust bowl.
- Remove the filter assembly by pulling it out of the dust bowl.
- Shake or lightly brush any dust or dirt off the filter assembly.
- Remove the filter by lifting away from the assembly. The filter may be rinsed if necessary.
- Empty the dust bowl; wash if necessary. Before reattaching to the stick vac, make sure all pieces are completely dry.
- Reinsert the filter into the filter assembly.
- Install the filter assembly into the dust bowl.
- Position the two sections as shown.
- Reattach the dust bowl by aligning the slot on the bottom of dust bowl with the tab on the bottom of motor housing.
NOTE: Make sure tab and slot are aligned correctly before securing the dust bowl.
- Snap the two sections together.

When purchasing a replacement filter assembly, request recommended part number 903623004.

NOTE: ILLUSTRATIONS START ON PAGE 8 AFTER FRENCH AND SPANISH LANGUAGE SECTIONS.

INSTRUCTIONS IMPORTANTES CONCERNANT LA SÉCURITÉ

CONSERVER CES INSTRUCTIONS

L'utilisation d'un appareil électrique demande d'observer en tout temps des précautions élémentaires, dont celles-ci :

AVERTISSEMENT !

LIRE ATTENTIVEMENT TOUTES LES INSTRUCTIONS.

Le non-respect de toutes les instructions ci-dessous peut entraîner un choc électrique, un incendie et/ou des blessures graves.

LIRE TOUTES LES INSTRUCTIONS AVANT D'UTILISER CET APPAREIL

AVERTISSEMENT :

Pour réduire le risque de choc électrique, **NE PAS** exposer l'appareil à la pluie. L'entreposer à l'intérieur.




- **Ne pas** insérer dans les ouïes d'aération. Ne pas utiliser si des ouvertures sont obstruées. Veiller à ce que les ouvertures ne soient jamais obstruées par de la poussière, de la peluche, des cheveux ou quoi que ce soit risquant de réduire le flux d'air.
- **NE JAMAIS** utiliser l'aspirateur pour ramasser des charbons ardents, des mégots de cigarettes, des allumettes, des cendres brûlantes ou fumantes, etc.
- **NE PAS** utiliser l'appareil pour aspirer des liquides inflammables ou combustibles comme de l'essence ou dans des endroits où de tels produits peuvent se trouver.
- **Ne pas** utiliser l'aspirateur sans la coupe à poussière et le filtre.
- **Redoubler de prudence lors de l'utilisation dans des escaliers.**
- **Ne pas** aspirer des objets durs tels que clous, vis, pièces de monnaie, etc. ce qui pourrait entraîner des blessures.
- **Ne pas** incinérer cet appareil, même s'il est fortement endommagé. Les piles peuvent exploser si elles sont jetées au feu.
- **Un aspirateur à main sans fil n'ayant pas besoin d'être branché sur une prise secteur, il est toujours en état de fonctionnement.** Tenir compte des dangers possibles pendant l'utilisation de l'aspirateur et du changement d'accessoire.
- **Ne recharger les piles qu'avec l'appareil indiqué.** Pour utiliser l'appareil avec des batteries au lithium-ion de 18 V, consulter le supplément de raccordement pour chargeur/outils/batteries/appareil n° 987000-432. Ne pas utiliser le chargeur à l'extérieur.
- **Lorsque le bloc-piles n'est pas en usage, le tenir à l'écart d'articles métalliques tels que : les attaches trombones, pièces de monnaie, clés, clous, vis et autres petits objets métalliques risquant d'établir le contact entre les deux bornes.** La mise en court-circuit des bornes de piles peut causer des étincelles, des brûlures ou un incendie.
- **Toujours retirer le bloc-piles de l'outil au moment d'assembler des pièces, d'effectuer des réglages et de procéder au nettoyage, ou lorsque l'outil n'est pas utilisé.** Le fait de retirer le bloc-piles permet d'empêcher un démarrage accidentel pouvant entraîner des blessures graves.
- **Porter des vêtements appropriés. Ne porter ni vêtements amples ni bijoux. Confiner les cheveux longs. Garder les cheveux, les vêtements amples, les doigts ainsi que toutes les parties du corps et des vêtements à l'écart des ouvertures et des pièces en mouvement.** Les vêtements amples, bijoux et cheveux longs peuvent se prendre dans les pièces en mouvement.
- **Ne pas travailler hors de portée. Toujours se tenir bien campé et en équilibre.** Une bonne tenue et un bon équilibre permettent de mieux contrôler l'aspirateur à main en cas de situation imprévue. Ne pas utiliser le produit sur une échelle ou un support instable.
- **Utiliser l'équipement de sécurité.** Un masque filtrant doit être porté dans les environnements poussiéreux.
- **Ne pas** laisser les enfants utiliser l'aspirateur à main ou s'en servir comme un jouet. Porter une attention particulière lorsque des enfants se trouvent à proximité.
- **Utiliser cet aspirateur à main SEULEMENT pour les applications pour lesquelles il est conçu, selon les instructions de ce manuel.** Utiliser exclusivement les accessoires recommandés dans ce manuel.
- **Si l'aspirateur à main ne fonctionne pas correctement, est tombé, a été endommagé, laissé à l'extérieur ou immergé, le retourner au centre de réparations le plus proche.**
- **Ne pas** manipuler la prise du chargeur ou l'aspirateur avec des mains mouillées.

INSTRUCTIONS IMPORTANTES CONCERNANT LA SÉCURITÉ







- **Ne pas utiliser un bloc-piles endommagé ou modifié.** Le bris ou la modification du bloc-piles peut causer un comportement imprévisible et causer un incendie, une explosion ou des blessures.
- **Ne pas modifier ou tenter de réparer un bloc-piles ayant été endommagé.**
- **Éviter les démarrages accidentels. S'assurer que le commutateur est en position d'arrêt avant de brancher l'outil.** Porter un outil avec le doigt sur son commutateur ou brancher un outil dont le commutateur est en position de marche peut causer un accident.
- **En cas d'usage abusif, du liquide peut s'échapper des piles. Éviter tout contact avec ce liquide. En cas de contact accidentel, rincer immédiatement les parties atteintes avec de l'eau. En cas d'éclaboussure dans les yeux consulter un médecin.** Le liquide s'échappant des piles peut causer des irritations ou des brûlures.
- **Pour un résultat optimal, les piles de l'outil doivent être rechargées dans un local où la température est de 10 à 38 °C (50 à 100°F). Ne pas ranger l'outil à l'extérieur ou dans un véhicule.**
- **Protection respiratoire. Porter un masque facial ou un masque anti-poussière si le travail produit de la poussière.** Le respect de cette règle réduira les risques de blessures graves.
- **Vérifier qu'aucune pièce mobile n'est mal alignée ou bloquée, qu'aucune pièce n'est brisée et s'assurer qu'aucun autre problème ne risque d'affecter le bon fonctionnement de l'outil. En cas de dommages, faire réparer l'outil avant de l'utiliser de nouveau.** Plusieurs accidents sont causés par des produits mal entretenus.
- **Utiliser exclusivement les accessoires recommandés par le fabricant pour le modèle d'outil.** Des accessoires appropriés pour un outil peuvent être dangereux s'ils sont utilisés avec un autre.
- Toujours fermer l'appareil avant de brancher ou de débrancher une buse motorisée.
- Suivre toutes les instructions afférentes à la recharge et ne pas recharger le bloc-piles ou l'appareil hors des températures spécifiées dans les instructions. Une recharge incorrecte ou hors des températures spécifiées peut endommager la pile et augmenter les risques de feu.
- **Ne jamais laisser de liquides tels que, l'essence, les produits à base de pétrole, les huiles pénétrantes, etc., entrer en contact avec les pièces en plastique.** Ces liquides contiennent chimiques susceptibles d'endommager, d'affaiblir ou de détruire le plastique.
- **Demander à un réparateur qualifié d'effectuer la réparation en utilisant des pièces de rechange identiques.** Ceci assurera la bonne sécurité du produit réparé.
- **Aucune pièce de ce produit ne peut être réparée par l'utilisateur.**
- **Conservé ces instructions. Les consulter fréquemment et les utiliser pour instruire les autres utilisateurs éventuels. Si cet aspirateur à main est prêté, il doit être accompagné de ces instructions.**
- **Ne pas recharger le pile dans un endroit humide ou mouillé. Ne pas utiliser, remiser ou charger le bloc-piles ou produits dans des emplacements où la température est inférieure 10 °C (50 °F) à ou supérieure à 38 °C (100 °F). Ne pas ranger l'outil à l'extérieur ou dans un véhicule.**
- **Ne recharger qu'avec l'appareil spécifié par le fabricant.** Un chargeur approprié pour un type de pile peut créer un risque d'incendie s'il est utilisé avec un autre type de pile.
- **Utiliser exclusivement le bloc-pile spécifiquement indiqué pour l'outil.** L'usage de tout autre bloc peut créer un risque de blessures et d'incendie.
- **Ne pas exposer le bloc-piles ou l'outil près d'un incendie ou à une température extrême.** L'exposition à un incendie ou à une température supérieure à 130 °C (265 °F) représente un risque d'explosion.
- Ne pas mettre les mains ou des objets à l'intérieur de l'embout de la buse de sol, car cela pourrait entraîner un mauvais fonctionnement de l'outil ou un risque de blessure.

SYMBOLES

Les termes de mise en garde suivants et leur signification ont pour but d'expliquer le degré de risques associé à l'utilisation de ce produit.

SYMBOLE	SIGNAL	SIGNIFICATION
	DANGER :	Indique une situation dangereuse qui, si elle n'est pas évitée, aura pour conséquences des blessures graves ou mortelles.
	AVERTISSEMENT :	Indique une situation dangereuse qui, si elle n'est pas évitée, pourrait entraîner des blessures graves ou mortelles.
	ATTENTION :	Indique une situation dangereuse qui, si elle n'est pas évitée, pourrait entraîner des blessures légères ou de gravité modérée.
	AVIS :	(Sans symbole d'alerte de sécurité) Indique les informations jugées importantes sans toutefois représenter un risque de blessure (ex. : messages concernant les dommages matériels).

Certains des symboles ci-dessous peuvent être utilisés sur produit. Veiller à les étudier et à apprendre leur signification. Une interprétation correcte de ces symboles permettra d'utiliser produit plus efficacement et de réduire les risques.

SYMBOLE	NOM	DÉSIGNATION / EXPLICATION
	Symbole d'alerte de sécurité	Indique un risque de blessure potentiel.
	Lire manuel d'utilisation	Pour réduire les risques de blessures, l'utilisateur doit lire et veiller à bien comprendre le manuel d'utilisation avant d'utiliser ce produit.
	Avertissement concernant l'humidité	Ne pas exposer à la pluie ou l'humidité.
	Cheveux longs	Risque que les cheveux longs soient aspirés dans l'entrée d'air.
	Coupe à poussière	Ne pas actionner lorsque le coupe à poussière n'est pas verrouillé.
	Symbole de recyclage	Ce produit utilise les piles de lithium-ion (Li-ion). Les réglementations locales ou gouvernementales peuvent interdire de jeter les piles dans les ordures ménagères. Consulter les autorités locales compétentes pour les options de recyclage et/ou l'élimination.
V	Volts	Tension
min	Minutes	Temps
—	Courant continu	Type ou caractéristique du courant
n_0	Vitesse à vide	Vitesse de rotation à vide
.../min	Par minute	Tours, coups, vitesse périphérique, orbites, etc., par minute

Ce produit est un produit de « type domestique », ce qui signifie qu'il est destiné à un usage domestique.

ASSEMBLAGE

AVERTISSEMENT :

Ne pas utiliser le produit s'il n'est pas complètement assemblé ou si des pièces semblent manquantes ou endommagées. L'utilisation d'un produit dont l'assemblage est incorrect ou incomplet ou comportant des pièces endommagées ou absentes représente un risque de blessures graves.

AVERTISSEMENT :

Ne pas essayer de modifier cet outil ou de créer des pièces et accessoires non recommandés. De telles altérations ou modifications sont considérées comme un usage abusif et peuvent créer des conditions dangereuses, risquant d'entraîner des blessures graves.

Si des pièces manquent ou sont endommagées, veuillez appeler au 1-800-525-2579 pour obtenir de l'aide.

UTILISATION

AVERTISSEMENT :

Ne pas laisser la familiarité avec l'outil faire oublier la prudence. Ne pas oublier qu'une fraction de seconde d'inattention peut entraîner des blessures graves.

AVERTISSEMENT :

Toujours retirer la bloc-pile de l'outil au moment d'assembler des pièces, d'effectuer des réglages et de procéder au nettoyage, ou lorsque l'outil n'est pas utilisé. Si cette précaution n'est pas prise, des objets peuvent être projetés dans les yeux et causer des lésions graves.

AVERTISSEMENT :

Ne pas utiliser d'outils ou accessoires non recommandés par le fabricant pour cet outil. L'utilisation de pièces et accessoires non recommandés peut entraîner des blessures graves.

APPLICATIONS

Cet outil ne doit être utilisé que pour les applications listées ci-dessous.

- Nettoyage léger des surfaces sèches
- Type de domestique

INSTALLATION/RETRAIT DU BLOC-PILES

Voir la figure 1, page 8.

- Insérer le bloc-piles dans l'aspirateur. Aligner la nervure en saillie du bloc-piles sur la rainure du logement de l'aspirateur.
- S'assurer que ses deux loquets latéraux s'engagent correctement et vérifier que le bloc est solidement assujéti avant d'utiliser l'aspirateur.

- Appuyer sur les deux loquets se trouvant sur les côtés du bloc-piles pour le séparer de l'aspirateur.

INSTALLATION DU PORTE-ACCESSOIRES

Voir la figure 2, page 8.

- Choisissez l'emplacement pour le porte-accessoires sur le tube de rallonge.
- Placez le porte-accessoires sur le tube de rallonge en appuyant fermement sur le porte-accessoires contre le tube de rallonge pour le fixer.
- Rangez les accessoires en les insérant par le haut du porte-accessoires.

MISE EN MARCHÉ / ARRÊT DE L'ASPIRATEUR

Voir la figure 3, page 8.

- **Pour mettre l'aspirateur en marche :**
- **Pour démarrer l'aspirateur :** appuyer sur le bouton MARCHE/ARRÊT.
- **Pour arrêter l'aspirateur :** appuyer de nouveau sur le bouton MARCHE/ARRÊT.

INTERRUPTEUR HAUT/BAS

Voir la figure 3, page 8.

La buse de sol peut être utilisée avec la brosse du rouleau désactivée.

NOTE : L'aspirateur démarre toujours à haute vitesse.

- Appuyer sur le bouton eco pour à basse vitesse et le voyant DEL s'allume en blanc.
- Appuyer sur le bouton eco pour revenir à la haut vitesse et le voyant DEL s'allume en vert.

NOTE : Appuyer sur le bouton eco de manière répétée fera basculer l'aspirateur entre les deux vitesses.

UTILISATION

FERMETURE DE LA BROSSE À TAPIS

Voir la figure 3, page 8

La barre à tapis peut être utilisée même si la brosse à tapis est fermée.

Pour annuler la brosse à tapis :

- Appuyez sur le bouton MARCHE/ARRÊT de la brosse à tapis, situé sous le bouton ECO pour annuler l'utilisation de la brosse à tapis.

Pour activer la brosse à tapis :

- Appuyer à nouveau sur le bouton MARCHE/ARRÊT pour remettre la brosse en marche.

NOTE : Si l'aspirateur est fermé pendant que la brosse à tapis est fermée, cette brosse se placera par défaut au réglage de MARCHE lorsque l'aspirateur est allumé de nouveau.

UTILISATION DE LA BUSE DE SOL

Voir la figure 4, page 9

La buse de sol peut être raccordée directement à l'aspirateur pour le nettoyage des meubles rembourrés et des escaliers ou être fixée à la rallonge pour l'aspiration normale du sol.

NOTE : Lorsque l'appareil n'est pas utilisé, rangez-le toujours dans un endroit peu fréquenté, comme un placard, ou posez-le à plat pour éviter qu'il tombe. Ne jamais placer en position verticale sans soutien. Un rebord situé dans le bas de l'aspirateur lui permet de s'accrocher à une surface pour éviter qu'il glisse.

Pour raccorder :

- Mettre l'appareil hors tension et retirer le bloc-pile.
- Alignez les broches de la buse de sol avec le réceptacle de l'aspirateur-balai ou de la rallonge.
- Appuyer jusqu'à ce que la brosse s'enclenche.
- Remettre le bloc-pile en place.
- Pour les retirer :
- Mettre l'appareil hors tension et retirer le bloc-pile.
- Appuyer une autre fois sur la languette de verrouillage et tirer pour retirer.

FIXATION ET RETRAIT DE LA RALLONGE POUR LANCE ET DES ACCESSOIRES

Voir la figure 5, page 9

La rallonge pour lance et les accessoires peuvent être utilisés ensemble ou séparément pour effectuer diverses tâches de nettoyage.

Pour raccorder :

- Mettre l'appareil hors tension et retirer le bloc-pile.
- Pour utiliser la rallonge pour lance, aligner les goupilles de la rallonge pour lance avec la prise située sur l'aspirateur-balai.
- Appuyer jusqu'à ce que la brosse s'enclenche.

- Pour utiliser les accessoires, insérer l'outil dans la prise secteur de l'aspirateur-balai ou de la rallonge pour lance.
- Appuyer ensemble jusqu'à ce qu'ils soient bien fixés.
- Remettre le bloc-pile en place.
- Pour les retirer :
- Mettre l'appareil hors tension et retirer le bloc-pile.
- Appuyer une autre fois sur la languette de verrouillage et tirer pour retirer.

ENLEVER/VIDER/REMETTRE NE PLACE LE RECIPIENT A POUSSIERE

Voir les figures 6 à 8, page 9.

La coupe à poussière doit être examinée, vidée et nettoyée régulièrement pour obtenir une efficacité maximum.

Pour vider :

- Retirer le bloc-pile.
- Pousser le bouton de verrouillage du dessus de l'aspirateur à main. Tourner et tirer la coupe vers le bas.
- Tenir l'appareil au-dessus du contenant à déchets.
- Appuyer sur le bouton de verrouillage au bas du récipient afin de dégager la trappe à ressort.
- Agiter légèrement ou tapoter les côtés pour déloger les débris.
- Fermer la trappe en appuyant fermement jusqu'à ce que le bouton de verrouillage s'enclenche.

Pour les retirer :

- Retirer le bloc-pile.
- Pousser le bouton de verrouillage en le côté de l'aspirateur. Tirer la coupe vers le bas.

Pour réinstallez :

- Positionner les deux sections comme indiqué.
- Aligner la languette située au bas du récipient à poussière avec la fente située au bas du boîtier du moteur.

NOTE : S'assurer que la languette et la fente sont correctement alignées avant de fixer le récipient à poussière.

- Emboîter les deux sections ensemble.

ÉLIMINER LES BLOCAGES ET NETTOYER LA BUSE DE SOL

Voir la figure 9, page 10.

Les obstructions dans la buse de sol peuvent activer le capteur de protection contre la surcharge et doivent être

Pour utilisation avec les buses de sol PCL720BB, PBLBB716, ou PBLBB717

UTILISATION

retirées. La buse de sol s'arrêtera et le voyant de la buse de sol s'allume en rouge.

Pour réinitialiser :

- Retirer le bloc-piles.

- Retirer l'ensemble de la buse de sol de la base de la rallonge ou l'aspirateur-balai et dégager toute obstruction à l'aide d'un objet émoussé.
- Attendre au moins 1 minute avant de raccorder l'ensemble de la brosse à tapis de nouveau.

ENTRETIEN

Aucune pièce de ce produit ne peut être réparée par l'utilisateur.

ENTRETIEN GÉNÉRAL

Éviter d'utiliser des solvants pour le nettoyage des pièces en plastique. La plupart des matières plastiques peuvent être endommagées par divers types de solvants du commerce. Utiliser un chiffon propre pour éliminer la saleté, la poussière, l'huile, la graisse, etc.

AVERTISSEMENT :

Ne jamais laisser de liquides tels que le fluide de freins, l'essence, les produits à base de pétrole, les huiles pénétrantes, etc., entrer en contact avec les pièces en plastique. Les produits chimiques peuvent endommager, affaiblir ou détruire le plastique, ce qui peut entraîner des blessures graves.

ENLÈVEMENT DE LA BROSSE À TAPIS POUR LE NETTOYAGE

Voir la figure 10, page 10.

La brosse à rouleau est située à l'intérieur de l'ensemble de la buse de sol. L'ensemble de la buse de sol est doté d'un embout sans outil, ce qui permet de retirer facilement la brosse à rouleau pour la nettoyer.

Pour enlever :

- Insérer une pièce de monnaie dans la fente, au bout de la brosse à rouleau. Tourner le capuchon d'extrémité d'environ 6,35 mm (1/4 po) dans le sens antihoraire, afin de déverrouiller la brosse à rouleau.
- Faire glisser la brosse pour libérer le capuchon et retirer la brosse de l'ensemble de la buse de sol.

NOTE: Utiliser des ciseaux pour enlever les fils ou les cheveux autour de la brosse à tapis à l'aide des encoches sur les ciseaux.

Pour réattacher :

- Insérer la brosse à rouleau dans l'ensemble de la buse de sol.
- Aligner les languettes du bouchon avec les encoches de la buse de sol et appuyer fermement sur le bouchon pour le mettre en place.
NOTE : Veiller à ce que le bout opposé de la brosse à rouleau s'aligne sur la broche d'entraînement, au moment d'appuyer le capuchon sur le boîtier de l'ensemble.
- Tourner le capuchon d'extrémité d'environ 6,35 mm (1/4 po) dans le sens horaire pour le verrouiller en place.

LIMPIE O REEMPLACE EL FILTRO

Voir la figure 11, page 10.

- Retirer le bloc-piles et coupe à poussière.
- Retirer l'ensemble de filtre en le sortant du récipient à poussière.
- Secouer ou brosser légèrement l'ensemble de filtre pour le nettoyer.
- Enlever le filtre et retirer en le soulevant de l'assemblage. Le filtre peut être rincé au besoin.
- Vider la coupe à poussière; les laver si nécessaire. S'assurer que toutes les pièces sont parfaitement sèches avant de les réinstaller sur l'aspirateur vertical.
- Réinsérer le filtre dans l'ensemble de filtre.
- Installez l'ensemble filtre dans le bac à poussière.
- Positionner les deux sections comme indiqué.
- Remettre en place le récipient à poussière en alignant la fente située au bas du récipient à poussière avec la languette située au bas du boîtier du moteur.
NOTE : S'assurer que la languette et la fente sont correctement alignées avant de fixer le récipient à poussière.
- Emboîter les deux sections ensemble.

Si la pièce doit être remplacée, demander la pièce recommandée, réf. 903623004.

NOTE : ILLUSTRATIONS COMMENÇANT SUR 8 DE PAGE APRÈS LE SECTION ESPAGNOL.

IMPORTANTES INSTRUCCIONES DE SEGURIDAD

GUARDE ESTAS INSTRUCCIONES

Al utilizar un aparato eléctrico, deben seguirse ciertas precauciones básicas, como las siguientes:



¡ADVERTENCIA!

LEA Y COMPRENDA TODAS LAS INSTRUCCIONES.

El incumplimiento de las instrucciones señaladas abajo puede causar descargas eléctricas, incendios y lesiones serias.

LEA TODAS LAS INSTRUCCIONES ANTES DE USAR ESTE APARATO



ADVERTENCIA:

Para reducir el riesgo de una descarga eléctrica **NO** exponga la unidad a la lluvia. Guárdela en el interior.




- **No ponga ningún objeto en las aberturas de ventilación.** No use la unidad con ninguna abertura bloqueada. Mantenga las aberturas libres de polvo, pelusa, pelo y cualquier cosa que pueda reducir el flujo de aire.
- **NUNCA** aspire materiales con brasas calientes, colillas de cigarrillos, fósforos, cenizas candentes o humeantes, etc.
- **NO** utilice la unidad para recoger líquidos inflamables o combustibles, como la gasolina, ni la utilice en lugares donde pueda haber presentes dichos líquidos.
- **No** use la unidad sin el colector de polvo y el filtro en su lugar.
- **Tenga cuidado extremo al utilizar la unidad en escaleras.**
- **No** use la unidad para recoger objetos duros como clavos, tornillos, monedas, etc. Pueden producirse daños o lesiones
- **No** incinere este aparato, incluso si está dañado seriamente. Pueden estallar y quedar envueltas en fuego las baterías.
- **La aspiradora de mano no tiene que estar enchufada en una toma de corriente, para estar siempre en condiciones de funcionamiento.** Esté consciente de los posibles peligros cuando esté usando la aspiradora de mano o cuando esté cambiando los accesorios de la misma.
- **Cargue las baterías solamente con el cargador indicado.** Para utilizar con paquetes de baterías de iones de litio de 18 V, consulte el folleto de la herramienta/aparato/paquete de baterías/cargador complementario 987000-432. No utilice el cargador en el exterior.
- **Cuando no esté usando el paquete de baterías, manténgala alejado de todo objeto metálico como: clips, monedas, llaves, clavos, tornillos y otros objetos metálicos pequeños que puedan establecer conexión entre ambas terminales.** Establecer una conexión directa entre las dos terminales puede causar chispas, quemaduras o incendios.
- **Siempre retire el paquete de baterías de la herramienta cuando esté ensamblando partes, realizando ajustes, limpiando o cuando ésta no esté en uso.** Si retira el paquete de baterías, evitará arranques accidentales que podrían provocar lesiones graves.
- **Vístase de manera apropiada. No use ropas holgadas ni joyas. Recójase el cabello si está largo. Mantenga el cabello, la ropa holgada, los dedos y todas las partes del cuerpo o la ropa alejados de las aberturas y las piezas móviles.** Las ropas holgadas, las joyas y el cabello largo pueden engancharse en las piezas internas móviles.
- **No estire el cuerpo para alcanzar mayor distancia. Mantenga una postura firme y buen equilibrio en todo momento.** La postura firme y el buen equilibrio permiten un mejor control de la aspiradora de mano en situaciones inesperadas. No utilice la unidad al estar en una escalera o en un soporte inestable.
- **Use equipo de seguridad.** Se debe usar mascarilla contra el polvo en las condiciones que así lo requieran.
- **No** permita que ningún niño utilice o juegue con la aspiradora de mano como si fuera un juguete. Debe tenerse extrema precaución cuando se use al lado de o cerca de niños.
- **Utilice esta aspiradora de mano SOLAMENTE para los fines especificados en este manual.** Solamente utilice accesorios recomendados en este manual.
- **Si la aspiradora de mano no está funcionando adecuadamente,** se dejó caer, se dañó, se dejó a la intemperie, o se dejó caer dentro del agua, regrésela al centro de servicio más cercano.
- **No** manipule la clavija del cargador o la aspiradora de mano con las manos mojadas.

IMPORTANTES INSTRUCCIONES DE SEGURIDAD







- **No utilice un paquete de baterías que esté dañado o modificado.** Las baterías dañadas o modificadas pueden tener un funcionamiento impredecible que provoque incendios, explosiones o riesgo de lesiones.
- **No modifique o intente reparar un paquete de baterías que esté dañado.**
- **Evite un arranque accidental de la unidad. Asegúrese de que el interruptor esté en la posición de apagado antes de conectar la herramienta.** Portar las herramientas eléctricas con el dedo en el interruptor, o conectarlas con el interruptor puesto, propicia accidentes.
- **Si se maltratan las baterías, puede derramarse líquido de las mismas; evite todo contacto con éste. En caso de contacto, lávese con agua. Si el líquido llega a tocar los ojos, además busque atención médica.** El líquido de las baterías puede causar irritación y quemaduras.
- **Para obtener resultados óptimos, debe cargar la herramienta de baterías en un lugar donde la temperatura esté entre 10 y 38 °C (entre 50 y 100 °F).** No guarde la herramienta a la intemperie ni en el interior de vehículos.
- **Protéjase los pulmones. Use una careta o mascarilla contra el polvo si la operación genera mucho polvo.** Con el cumplimiento de esta regla se reduce el riesgo de lesiones corporales serias.
- **Revise para ver si hay desalineación o atoramiento de piezas móviles, ruptura de piezas o toda otra condición que pueda afectar el funcionamiento de la aspiradora. Si se daña la herramienta, llévela a servicio antes de volver a utilizarla.** Numerosos accidentes son causados por herramientas mal cuidadas.
- **Sólo utilice accesorios recomendados por el fabricante para cada modelo en particular.** Accesorios que pueden ser adecuados para una aspiradora pueden significar un riesgo de lesiones si se emplean con otra aspiradora.
- **Apague siempre la máquina antes de conectar o desconectar la boquilla motorizada.**
- **Siga todas las instrucciones de carga y no cargue el paquete de baterías ni el aparato fuera del rango de temperaturas especificado en las instrucciones.** Si realiza la carga en forma incorrecta o fuera de las temperaturas del rango especificado puede dañar la batería y aumentar el riesgo de incendios.
- **No permita que gasolina, aceites, productos a base de petróleo, etc., lleguen a tocar las piezas de plástico.** Dichos productos contienen compuestos químicos que pueden dañar, debilitar o destruir el plástico.
- **Verifique que un técnico de reparación calificado haga el mantenimiento usando solo repuestos idénticos.** De esta manera se mantiene la seguridad del product.
- **Este producto no contiene piezas que puedan repararse.**
- **Guarde estas instrucciones. Consúltelas con frecuencia y empléelas para instruir a otras personas que puedan utilizar esta aspiradora de mano. Si presta a alguien esta aspiradora de mano, facilítele también las instrucciones.**
- **No cargue la batería en lugares mojados o húmedos. No lo utilice, guarde o cargue la paquete de baterías o la unidad en lugares donde la temperatura sea inferior a 10 °C (50 °F) o superior a 38 °C (100 °F).** No guarde la herramienta a la intemperie ni en el interior de vehículos.
- **Sólo cargue el paquete de baterías con el cargador especificado por el fabricante.** Un cargador adecuado para un tipo paquete de baterías puede significar un riesgo de incendio si se emplea con un paquete de baterías diferente.
- **Utilice las herramientas eléctricas sólo con los paquetes de baterías específicamente indicados.** El empleo de paquetes de baterías diferentes puede presentar un riesgo de incendio.
- **No exponga el paquete de baterías o una herramienta al fuego o a temperaturas excesivas.** La exposición al fuego o a temperatura sobre los 130 °C (265 °F) puede provocar explosiones.
- **No coloque las manos ni objetos dentro del accesorio de boquilla para pisos, ya que esto podría causar un mal funcionamiento de la herramienta o causar lesiones.**

SÍMBOLOS

Las siguientes palabras de señalización y sus significados tienen el objeto de explicar los niveles de riesgo relacionados con este producto.

SÍMBOLO	SEÑAL	SIGNIFICADO
	PELIGRO:	Indica una situación peligrosa, la cual, si no se evita, causará la muerte o lesiones serias.
	ADVERTENCIA:	Indica una situación peligrosa, la cual, si no se evita, podría causar la muerte o lesiones serias.
	PRECAUCIÓN:	Indica una situación peligrosa, la cual, si no se evita, podría causar lesiones menores o leves.
	AVISO:	(Sin el símbolo de alerta de seguridad) Indica la información que se considera importante, pero no relacionada con lesiones potenciales (por ej. en relación a daños a la propiedad).

Es posible que se empleen en este producto algunos de los siguientes símbolos. Le suplicamos estudiarlos y aprender su significado. Una correcta interpretación de estos símbolos le permitirá utilizar mejor y de manera más segura el producto.

SÍMBOLO	NOMBRE	DENOMINACIÓN/EXPLICACIÓN
	Alerta de seguridad	Indica un peligro posible de lesiones personales.
	Lea el manual del operador	Para reducir el riesgo de lesiones, el usuario debe leer y comprender el manual del operador antes de usar este producto.
	Alerta de condiciones húmedas	No exponga la unidad a la lluvia ni la use en lugares húmedos.
	Cabello largo	Riesgo de que el cabello largo quede atrapado en la entrada de aire.
	Colector de polvo	No utilice la unidad hasta mientras no esté asegurada la colector de polvo.
	Símbolo de reciclado	Este producto contiene baterías de litio (Li-ion). Es posible que algunas leyes municipales, estatales o federales prohíban desechar las baterías de níquel-cadmio en la basura normal. Consulte a las autoridades reguladoras de desechos para obtener información en relación con las alternativas de reciclado y desecho disponibles.
V	Volts	Voltaje
min	Minutos	Tiempo
==	Corriente continua	Tipo o característica de corriente
n_0	Velocidad en vacío	Velocidad de rotación, en vacío
.../min	Por minuto	Revoluciones, carreras, velocidad superficial, órbitas, etc., por minuto

Este es un producto de “tipo doméstico”, lo que significa que está diseñado para uso doméstico.

ARMADO

ADVERTENCIA:

No use este producto si no está totalmente ensamblado o si alguna pieza falta o está dañada. El uso de un producto que no está adecuadamente y completamente ensamblado o posee partes dañadas o faltantes puede resultar en lesiones personales graves.

ADVERTENCIA:

No intente modificar este producto ni crear aditamentos o accesorios que no estén recomendados para usar con este producto. Dichas alteraciones o modificaciones constituyen un uso indebido y podrían provocar una situación de riesgo que cause posibles lesiones personales graves.

Si hay piezas dañadas o faltantes, le suplicamos llamar al 1-800-525-2579, donde le brindaremos asistencia. En México, llame al 01-800-843-1111.

FUNCIONAMIENTO

ADVERTENCIA:

No permita que su familiarización con las herramientas lo vuelva descuidado. Tenga presente que un descuido de un instante es suficiente para causar una lesión grave.

ADVERTENCIA:

Siempre retire el paquete de baterías de la herramienta cuando esté ensamblando partes, realizando ajustes, limpiando o cuando ésta no esté en uso. Retirando el paquete de baterías se evita arrancar accidentalmente la unidad, lo cual puede causar lesiones serias.

ADVERTENCIA:

No utilice ningún aditamento o accesorio no recomendado por el fabricante de esta producto. El empleo de aditamentos o accesorios no recomendados podría causar lesiones serias.

- Oprima los pestillos situados en ambos lados del paquete de baterías para soltar éste de la aspiradora de mano.

INSTALACIÓN DEL SOPORTE PARA ACCESORIOS

Vea la figura 2, página 8.

- Elija la ubicación deseada para instalar el soporte para accesorios en la varilla de extensión.
- Coloque el soporte para accesorios en la varilla de extensión presionando firmemente el soporte para accesorios en la varilla para fijarlo.
- Los accesorios se pueden almacenar insertándolos desde la parte superior del soporte para accesorios.

ENCENDIDO Y APAGADO DE LA ASPIRADORA

Vea la figura 3, página 8.

- **Para encender la aspiradora:** presione el botón de ENCENDIDO/APAGADO.
- **Para detener la aspiradora:** presione el botón de ENCENDIDO/APAGADO otra vez.

INTERRUPTOR DE VELOCIDAD ALTA/BAJA

Vea la figura 3, página 8.

La boquilla para pisos se puede utilizar con el cepillo giratorio apagado.

NOTA: La aspiradora se enciende siempre en velocidad alta.

- Presione el botón ECO para usar la velocidad BAJA y el indicador LED se ilumina en blanco.
- Presione el botón ECO para usar la velocidad BAJA y el indicador LED se ilumina en verde.

NOTA: Si presione de forma repetida el botón ECO, alternará la aspiradora entre las dos velocidades.

APLICACIONES

Este producto puede emplearse para los fines siguientes:

- Limpieza liviana con aspiradora de superficies secas
- Tipo de doméstico

INSTALACIÓN/DESMONTAR DEL PAQUETE DE BATERÍAS

Vea la figura 1, página 8.

- Coloque el paquete de baterías en la aspiradora de mano. Alinee la costilla realzada exterior del paquete de baterías con la ranura interior del receptáculo para baterías de la aspiradora de mano.
- Asegúrese de que los pestillos situados en ambos lados del paquete de baterías entren completamente en su lugar, y de que el paquete quede bien fijo en la aspiradora de mano antes de empezar a utilizar éste.

FUNCIONAMIENTO

CÓMO APAGAR EL CEPILLO GIRATORIO

Vea la figura 3, página 8.

La barra giratoria puede usarse con el cepillo giratorio desactivado.

Para cancelar el cepillo giratorio, siga estos pasos:

- Presione el botón de encendido/apagado del cepillo giratorio, ubicado debajo del botón ECO, para cancelar el uso del cepillo giratorio.

Para volver a activar el cepillo giratorio, siga estos pasos:

- Presione el botón de encendido/apagado del cepillo giratorio, ubicado debajo del botón de encendido/apagado, para cancelar el uso del cepillo giratorio.

NOTA: Si apaga la aspiradora mientras el cepillo giratorio está desactivado, cuando vuelva a encender la aspiradora, el cepillo giratorio se podrá por defecto en la configuración activada.

CÓMO USAR LA BOQUILLA PARA PISOS

Vea la figura 4, página 9

La boquilla para pisos se puede conectar directamente a la aspiradora para limpiar tapizados y escaleras, o conectarse con el tubo de extensión para aspirar pisos normalmente.

NOTA: Cuando no esté en uso, siempre guarde la unidad fuera de áreas de alto tráfico, como un armario o colóquela en posición horizontal para evitar que se caiga. Nunca la deje en posición vertical. Hay un borde ubicado en la parte inferior de la aspiradora que le permite engancharse en una superficie para evitar que se escurra.

Para conectar:

- Apague la unidad y quite el paquete de baterías.
- Alinee las clavijas de la boquilla para pisos con el receptáculo de la aspiradora tipo escoba o el tubo de extensión.
- Una las piezas a presión hasta que encajen correctamente.
- Vuelva a colocar el paquete de baterías.

Para quitar:

- Apague la unidad y quite el paquete de baterías.
- Presione la orejeta de fijación y tire para quitarlo.

CÓMO COLOCAR Y QUITAR LA VARA DE EXTENSIÓN Y LAS HERRAMIENTAS ACCESORIAS

Vea la figura 5, página 9

La vara de extensión y las herramientas accesorias pueden usarse juntas o de forma separada para varias tareas de limpieza.

Para conectar:

- Apague la unidad y quite el paquete de baterías.

- En el caso de la vara de extensión, alinee las clavijas de la vara con el receptáculo de la aspiradora tipo escoba.
- Una las piezas a presión hasta que encajen correctamente.
- En el caso de las herramientas accesorias, inserte la herramienta en la toma de la aspiradora tipo escoba o la vara de extensión.
- Presione los elementos para unirlos hasta que encajen de forma segura.
- Vuelva a colocar el paquete de baterías.

Para quitar:

- Apague la unidad y quite el paquete de baterías.
- Presione la orejeta de fijación y tire para quitarlo.

QUITAR, VACIAR O VOLVER A COLOCAR EL RECIPIENTO PARA POLVO

Vea las figuras 6 a 8, página 9.

El colector de polvo debe revisarse, vaciarse y limpiarse periódicamente para lograr la máxima captación de polvo.

Para vaciarlo:

- Retire el paquete de baterías.
- Empuje el botón de liberación, el cual está situado en la parte frontal de la aspiradora. Tire del colector de polvo hacia abajo y extráigalo.
- Sostenga la unidad sobre el receptáculo para polvo.
- Presione el botón de bloqueo de la parte inferior del colector para liberar la puerta con resorte.
- Agite el colector ligeramente o golpee los laterales para expulsar los residuos.
- Cierre la puerta presionando firmemente hasta que el botón de bloqueo encaje.

Para desmontaje:

- Retire el paquete de baterías.
- Empuje el botón de liberación, el cual está situado en la parte frontal de la aspiradora. Tire del colector de polvo hacia abajo y extráigalo.

Para montaje:

- Coloque las dos secciones como se muestra en la imagen.
- Alinee la lengüeta de la parte inferior del recipiente para el polvo con la ranura de la parte inferior de la carcasa del motor.

NOTA: Asegúrese de que la lengüeta y la ranura estén alineadas correctamente antes de asegurar el recipiente para polvo.

- Junte las dos secciones.

Para usar con la boquilla para pisos PCL720BB, PBLBB716 o PBLBB717

FUNCIONAMIENTO

CÓMO QUITAR OBSTRUCCIONES Y LIMPIAR LA BOQUILLA PARA POLVO

Vea la figura 9, página 10.

Las obstrucciones en la boquilla para pisos pueden activar el sensor de protección de sobrecarga y deben eliminarse. La boquilla para pisos se detendrá y la luz de la boquilla se iluminará en rojo.

Para restablecerla:

- Quite el paquete de baterías.
- Retire el conjunto de la boquilla para pisos del tubo o la base de la aspiradora tipo escoba, y elimine cualquier obstrucción con un objeto contundente.
- Espere, al menos, 1 minuto antes de volver a colocar el conjunto de la barra giratoria.

MANTENIMIENTO

Este producto no contiene piezas que puedan repararse.

MANTENIMIENTO GENERAL

Evite el empleo de solventes al limpiar piezas de plástico. La mayoría de los plásticos son susceptibles a diferentes tipos de solventes comerciales y pueden resultar dañados. Utilice paños limpios para eliminar la suciedad, el polvo, el aceite, la grasa, etc.

ADVERTENCIA:

No permita en ningún momento que fluidos para frenos, gasolina, productos a base de petróleo, aceites penetrantes, etc., lleguen a tocar las piezas de plástico. Las sustancias químicas pueden dañar, debilitar o destruir el plástico, lo cual a su vez puede producir lesiones corporales serias.

COMO EXTRAER EL CEPILLO GIRATORIO PARA LIMPIARLO

Vea la figura 10 página 10.

El cepillo giratorio se encuentra dentro del conjunto de la boquilla para pisos. El conjunto de la boquilla para pisos tiene una tapa de extremo sin herramientas, lo que permite quitar fácilmente el cepillo giratorio para limpiarlo.

Para retirarlo:

- Inserte una moneda en la ranura del extremo del cepillo giratorio. Gire la tapa de extremo aproximadamente 6,35 mm (1/4 de pulg.) vuelta en sentido antihorario para desbloquear el cepillo giratorio.
- Deslice el cepillo para liberar la tapa y tire del cepillo del conjunto de la boquilla para pisos.

NOTA: Use tijeras para remover hebras o cabello atrapado en el cepillo giratorio utilizando los surcos de las tijeras.

Para volver a colocarlo:

- Inserte el cepillo giratorio en el conjunto de la boquilla para pisos.

- Alinee las lengüetas de la tapa con las muescas del conjunto de la boquilla para pisos y presione firmemente la tapa para colocarla.

NOTA: Asegúrese de que el extremo opuesto del cepillo giratorio esté alineado con el husillo del impulsor al presionar la tapa en la carcasa del conjunto.

- Gire la tapa 6,35 mm (1/4 de pulg.) en sentido horario con una moneda para bloquearla en su lugar.

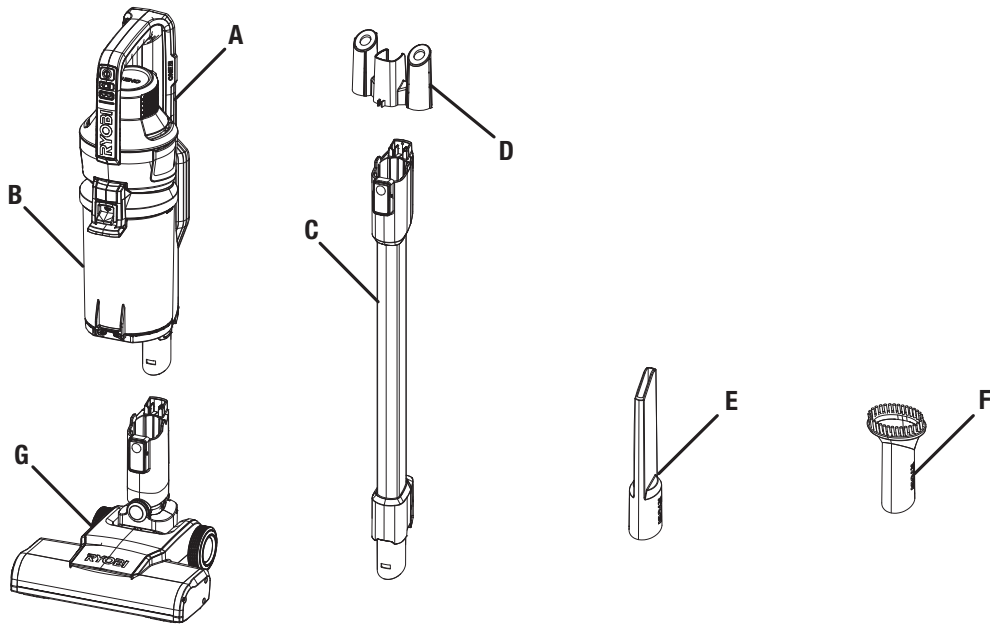
LIMPIEZA/REEMPLAZAR DEL FILTRO

Vea la figura 11, página 10.

- Retire el paquete de baterías y colector de polvo.
 - Retire el conjunto del filtro tirándolo hacia afuera del colector de polvo.
 - Sacuda o cepille ligeramente el conjunto de filtro para limpiarle el polvo y demás desechos.
 - Retire el filtro y levantando hacia fuera del conjunto. Si necesario, puede enjuagar el filtro.
 - Vacíe el colector de polvo; lávelos si es necesario. Antes de volverlos a instalar en la aspiradora tipo escoba, asegúrese que todas las piezas estén completamente secas.
 - Vuelva a insertar el filtro en el conjunto del filtro.
 - Instale el conjunto del filtro en el colector de polvo.
 - Coloque las dos secciones como se muestra en la imagen.
 - Vuelva a colocar el recipiente para polvo alineando la ranura de la parte inferior del recipiente con la lengüeta de la parte inferior de la carcasa del motor.
- NOTA:** Asegúrese de que la lengüeta y la ranura estén alineadas correctamente antes de asegurar el recipiente para polvo.
- Junte las dos secciones.

Al adquirir un pieza de repuesto, solicite el recomendado, el número de pieza 903623004.

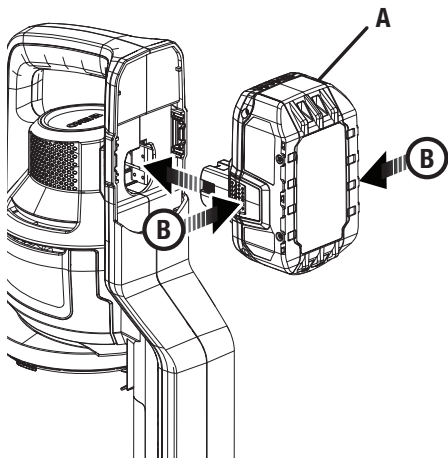
PCL720



- A - Stick vacuum (aspirateur-balai sans fil, aspiradora tipo escoba inalámbrica)
- B - Dust bowl (récipient à poussière, colector de polvo)
- C - Extension wand (rallonge pour lance, tubo de extensión)
- D - Accessory holder (porte-accessoires, soporte para accesorios)

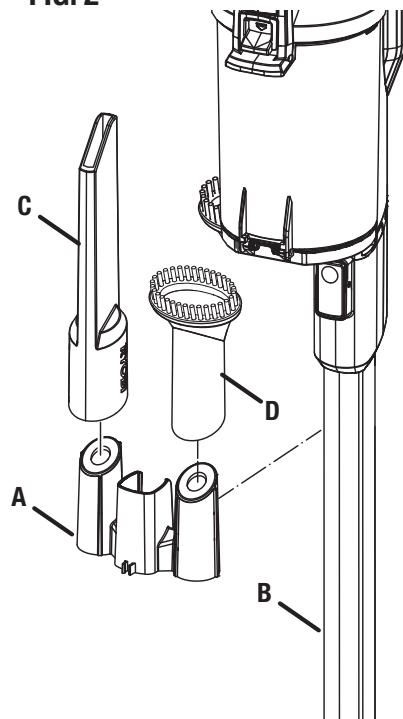
- E - Crevice tool (suceur plat, herramienta para hendiduras)
- F - Dust brush (brosse à poussière, cepillo para polvo)
- G - Floor nozzle (buse de sol, boquilla para pisos)

FIG. 1



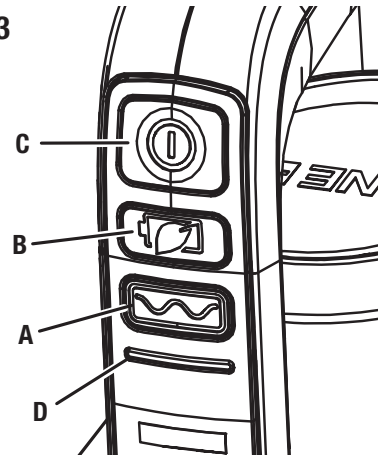
- A - Battery pack (bloc-pile, paquete de batería)
- B - Depress latches to release battery pack (appuyer sur les loquets pour libérer le bloc-pile, para soltar el paquete de baterías oprima los pestillos)

FIG. 2



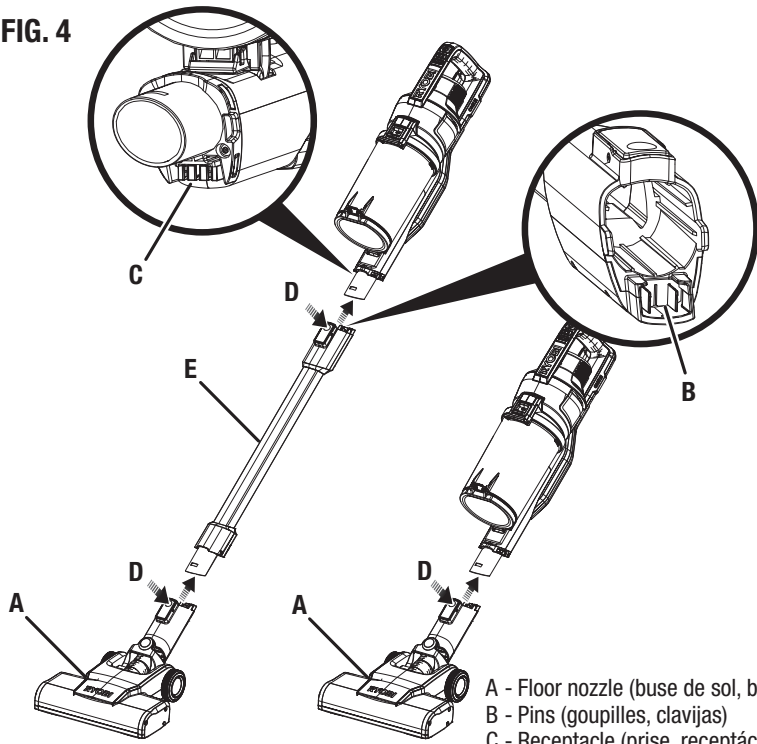
- A - Accessory holder (porte-accessoires, soporte para accesorios)
- B - Extension wand (rallonge pour lance, tubo de extensión)
- C - Crevice tool (suceur plat, herramienta para hendiduras)
- D - Dust brush (brosse à poussière, cepillo para polvo)

FIG. 3



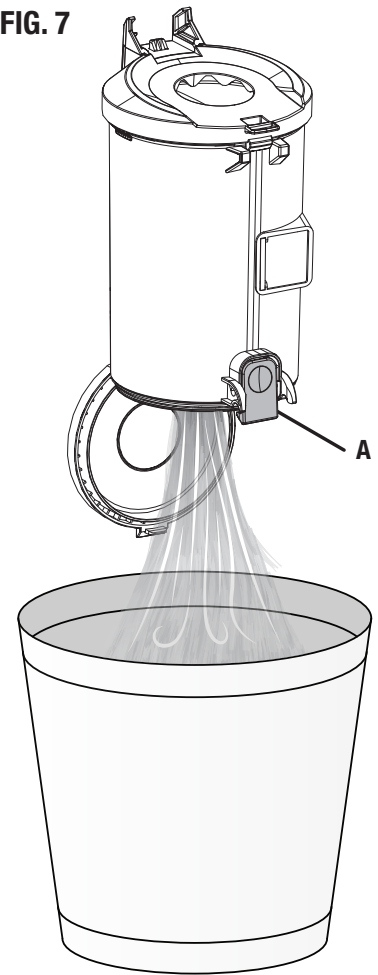
- A - Roller brush ON/OFF button (brosse à tapis interrupteur de marche/arrêt, cepillo giratorio botón de encendido/apagado)
- B - ECO button (bouton ECO, botón ECO)
- C - ON/OFF button (interrupteur de marche/arrêt, botón de encendido/apagado)
- D - LED Indicator (témoin DEL, DIODOS indicadore)

FIG. 4



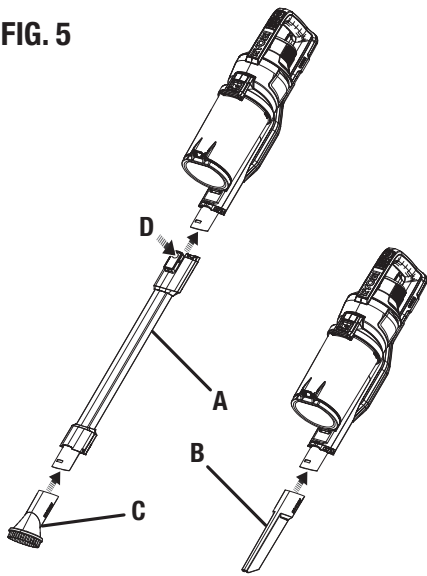
- A - Floor nozzle (buse de sol, boquilla para pisos)
- B - Pins (goupilles, clavijas)
- C - Receptacle (prise, receptáculo)
- D - Locking tab (languette de verrouillage, orejeta de fijación)
- E - Extension wand (rallonge pour lance, tubo de extensión)

FIG. 7



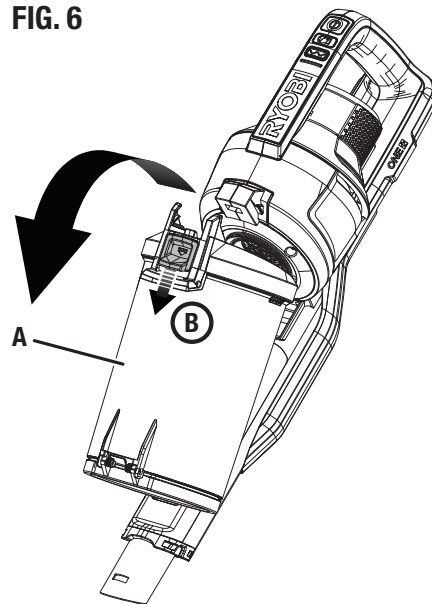
- A - Locking tab (languette de verrouillage, orejeta de fijación)

FIG. 5



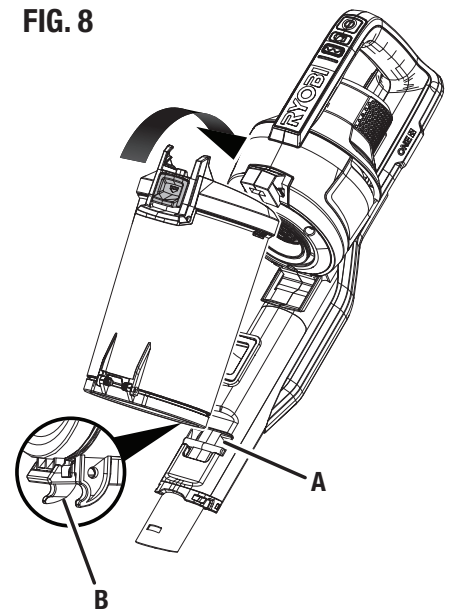
- A - Extension wand (rallonge pour lance, tubo de extensión)
- B - Crevice tool (suceur plat, herramienta para hendiduras)
- C - Dust brush (brosse à poussière, cepillo para polvo)
- D - Locking tab (languette de verrouillage, orejeta de fijación)

FIG. 6



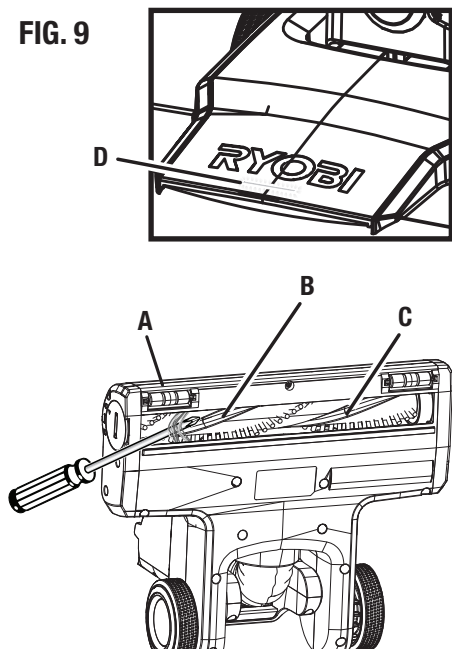
- A - Dust bowl (récipient à poussière, colector de polvo)
- B - Release button (bouton de relâchement, botón de afloje)

FIG. 8



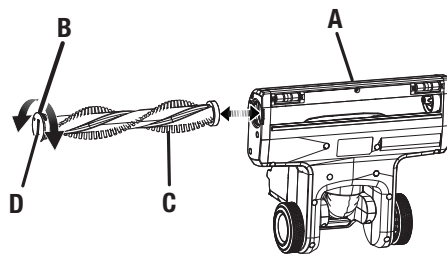
- A - Slot (fente, ranura)
- B - Tab (ergot, orejeta)

FIG. 9



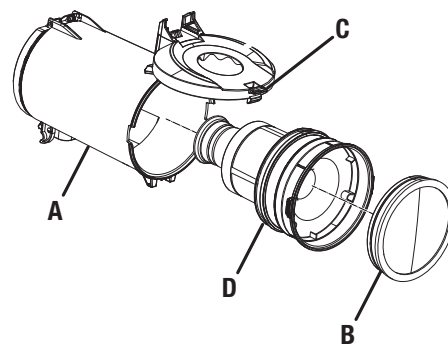
- A - Screwdriver (tournevis, destornillador)
B - Tangled threads and hair (fils et cheveux emmêlés, hilo y pelo enredados)
C - Roller brush (brosse à tapis, cepillo giratorio)
D - Overload protection sensor (capteur de protection contre les surcharges, sensor de protección contra el sobrecalentamiento)

FIG. 10



- A - Floor nozzle (brosse à tapis, barra giratoria)
B - End cap (capuchon d'extrémité, tapa del extremo)
C - Roller brush (brosse à tapis, cepillo giratorio)
D - Slot (fente, ranura)

FIG. 11



- A - Dust bowl (récipient à poussière, colector de polvo)
B - Filter (filtre, filtro)
C - Tab (languette, lengüeta)
D - Filter assembly (ensemble de filtre, conjunto de filtro)



OPERATOR'S MANUAL/RYOBI™ ONE+™ STICK VACUUM
MANUEL D'UTILISATION / ASPIRATEUR VERTICAL DE RYOBI™ ONE+™ AVEC
BROSSE À TAPIS
MANUAL DEL OPERADOR/ASPIRADORA TIPO ESCOBA DE RYOBI™ ONE+™
CON BARRA GIRATORIA

PCL720/PCL720BB

To request service, purchase replacement parts,
locate an Authorized Service Center or obtain Customer or Technical Support:
Visit www.ryobitools.com or call **1-800-525-2579**

If any parts or accessories are damaged or missing, do not return this product to the store.
Call **1-800-525-2579** for immediate service.

Please obtain your model and serial number from the product data plate.
This product is covered under a 3-year limited Warranty. Proof of purchase is required.

MODEL NUMBER* _____ SERIAL NUMBER _____

**Model number on product may have additional letters at the end. These letters designate manufacturing information and should be provided when calling for service.*

RYOBI is a trademark of Ryobi Limited and is used pursuant to a license granted by Ryobi Limited.

Pour faire une demande de réparations ou obtenir des pièces de rechange, trouver un
Centre de réparations agréé pour obtenir un soutien technique ou le Service à la clientèle :
Visiter www.ryobitools.com ou en téléphonant au **1-800-525-2579**

Si des pièces ou accessoires sont manquantes ou endommagées, ne pas retourner
ce produit au magasin. Appeler immédiatement au **1-800-525-2579** pour obtenir de l'aide.

Inscrire les numéros de modèle et de série inscrits sur la plaque d'identification du produit.
Ce produit est couvert par une garantie limitée de trois (3) ans. Une preuve d'achat est exigée.

NUMÉRO DE MODÈLE* _____ NUMÉRO DE SÉRIE _____

**Le numéro de modèle sur le produit peut contenir des lettres supplémentaires à la fin. Ces lettres désignent les informations du fabricant et doivent être fournies lors d'un appel de demande de service.*

RYOBI est une marque de Ryobi Limited et est utilisée en vertu d'une licence accordée par Ryobi Limited.

Para obtener servicio, comprar piezas de repuesto, localizar un centro
de servicio autorizado y obtener Servicio o Asistencia Técnica al Consumidor:
Visite www.ryobitools.com o llame al **1-800-525-2579**

Si hay alguna pieza ou accesorios dañada o faltante, no devuelva este producto a la tienda.
Llame al **1-800-525-2579** para servicio técnico inmediato.

Obtenga su modelo y número de serie de la placa de datos del producto.
Este producto está cubierto con una garantía limitada de 3 años. Se solicita prueba de la compra.

NÚMERO DE MODELO* _____ NÚMERO DE SERIE _____

**El número de modelo que figura en el producto podría tener letras adicionales al final. Estas designan información de fabricación y deben suministrarse cuando llame para obtener asistencia o servicio.*

RYOBI es una marca de Ryobi Limited y se utiliza conforme a una licencia otorgada por Ryobi Limited.

TTI CONSUMER POWER TOOLS, INC.

P.O. Box 1288, Anderson, SC 29622 • Phone 1-800-525-2579
États-Unis, Téléphone 1-800-525-2579 • USA, Teléfono 1-800-525-2579

www.ryobitools.com