



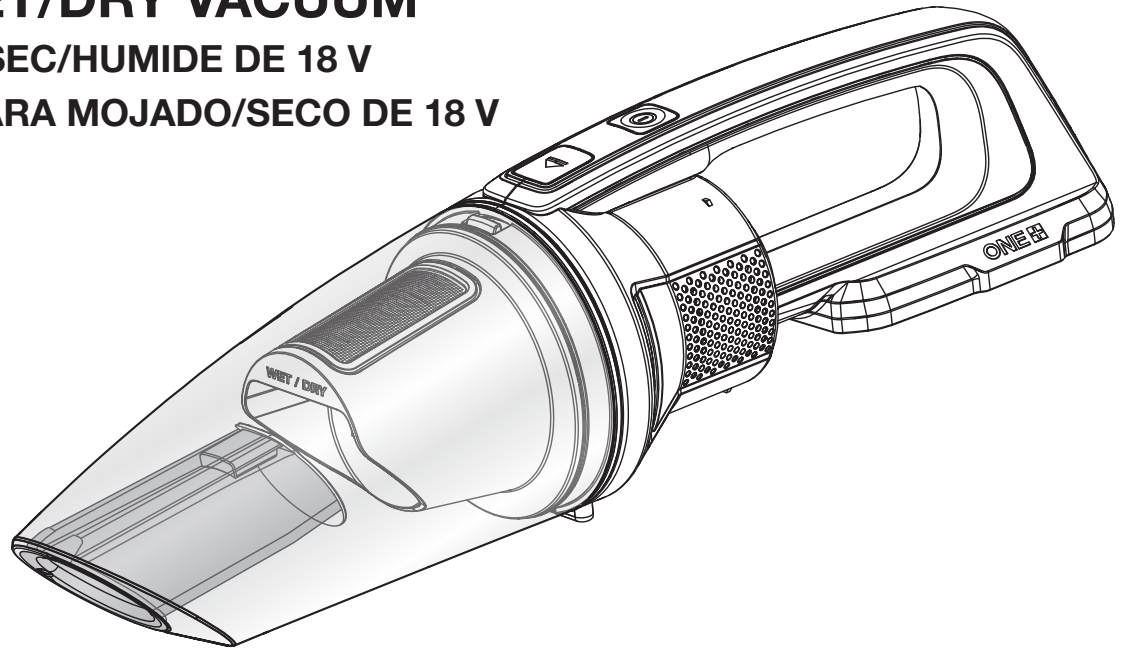
OPERATOR'S MANUAL

MANUEL D'UTILISATION
MANUAL DEL OPERADOR

18 VOLT WET/DRY VACUUM

ASPIRATEUR À SEC/HUMIDE DE 18 V
ASPIRADORA PARA MOJADO/SECO DE 18 V
PCL702

EN MEXICO:
PARA MÁS INFORMACIÓN
WWW.RYOBITOLS.MX
CENTROS DE SERVICIO
800-843-1111



INCLUDES: Wet/Dry Vac, Squeegee Attachment, Crevice Tool, Dust Brush, Adaptor, Operator's Manual

INCLUT : Aspirateur sec/humide, suceur à râçlette, suceur plat, brosse à poussière, adaptateur, manuel de l'opérateur

INCLUYE: Aspiradora en seco o húmedo, aditamento de limpiador de goma, herramienta para hendiduras, cepillo para polvo, adaptador, manual del operador

TABLE OF CONTENTS

- Important Safety Instructions2-3
- Symbols.....3-4
- Assembly.....4
- Operation.....4-5
- Maintenance.....6
- Illustrations7
- Parts Ordering and ServiceBack page

TABLE DES MATIÈRES

- Instructions importantes concernant la sécurité2-3
- Symboles.....3-4
- Assemblage.....4
- Utilisation4-5
- Entretien6
- Illustrations7
- Commande de pièces et dépannage Page arrière

ÍNDICE DE CONTENIDO

- Importantes instrucciones de seguridad..... 2-3
- Símbolos..... 3-4
- Armado4
- Funcionamiento 4-5
- Mantenimiento.....6
- Ilustraciones.....7
- Pedidos de piezas y servicio..... Pág. posterior

⚠ WARNING: To reduce the risk of injury, the user must read and understand the operator's manual before using this product.

⚠ AVERTISSEMENT : Pour réduire les risques de blessures, l'utilisateur doit lire et veiller à bien comprendre le manuel d'utilisation avant d'employer ce produit.

⚠ ADVERTENCIA: Para reducir el riesgo de lesiones, el usuario debe leer y comprender el manual del operador antes de usar este producto.

SAVE THIS MANUAL FOR FUTURE REFERENCE

CONSERVER CE MANUEL POUR FUTURE RÉFÉRENCE

GUARDE ESTE MANUAL PARA FUTURAS CONSULTAS

IMPORTANT SAFETY INSTRUCTIONS

SAVE THESE INSTRUCTIONS

When using an electrical appliance, basic precautions should always be followed, including the following:

WARNING!

READ AND UNDERSTAND ALL INSTRUCTIONS. Failure to follow all instructions listed below, may result in electric shock, fire and/or serious personal injury.

READ ALL INSTRUCTIONS BEFORE USING THIS APPLIANCE

WARNING:

To reduce the risk of electric shock **DO NOT** expose to rain. Store indoors.

- **Do not incinerate** this appliance even if it is severely damaged. The batteries can explode in a fire.
 - **The product does not have to be plugged into an electrical outlet, therefore it is always in operating condition.** Be aware of possible hazards when using the product or when changing accessories.
 - **Remove battery when the vacuum is not in use and before servicing.**
 - **Use this product only with batteries and chargers listed in tool/appliance/battery pack/charger correlation supplement 987000-432.**
 - **Recharge only with the charger specified by the manufacturer.** A charger that is suitable for one type of battery pack may create a risk of fire when used with another battery pack.
 - **Use power tools only with specifically designated battery packs.** Use of any other battery packs may create a risk of injury and fire.
 - **When battery pack is not in use, keep it away from other metal objects like: paper clips, coins, keys, nails, screws, or other small metal objects that can make a connection from one terminal to another.** Shorting the battery terminals together may cause sparks, burns, or a fire.
 - **Always remove battery pack from your tool when you are assembling parts, making adjustments, cleaning, or when not in use.** Removing battery pack will prevent accidental starting that could cause serious personal injury.
 - **Do not use a battery pack or power tool that is damaged or modified.** Damaged or modified batteries may exhibit unpredictable behavior resulting in fire, explosion or risk of injury.
 - **Do not modify or attempt to repair a power tool or battery pack that has been damaged.**
 - **To reduce the risk of serious personal injury, never use or expose battery pack or any cordless product in the presence of an open flame or temperature above 265°F.** An exploded battery can propel debris and chemicals. If exposed, flush with water immediately.
 - **Prevent unintentional starting. Ensure the switch is in the off-position before connecting to power source and/or battery pack, picking up or carrying the product.** Carrying battery products with your finger on the switch or energizing battery products that have the switch on invites accidents.
 - **Under abusive conditions, liquid may be ejected from the battery; avoid contact. If contact accidentally occurs, flush with water. If liquid contacts eyes, ad-**
- **Dress properly. Do not wear loose clothing or jewelry. Contain long hair. Keep your hair, loose clothing, fingers, and all parts of the body and clothing, away from openings and moving parts.** Loose clothes, jewelry, or long hair can be caught in internal moving parts.
 - **Do not overreach. Keep proper footing and balance at all times.** Proper footing and balance enables better control of the hand vac in unexpected situations. Do not use on a ladder or unstable support.
 - **Use safety equipment.** Dust mask must be used for appropriate conditions.
 - **Do not** allow children to operate the product or play with the product as a toy. Close attention is necessary when used by or near children.
 - **Use this product ONLY for its intended use as described in this manual.** Use only the attachments recommended in this manual.
 - **If the product is not working properly, has been dropped, damaged, left outdoors, or dropped into water, return to your nearest service center.**
 - **Do not** handle charger plug or product with wet hands.
 - **Do not** put any objects in ventilation openings. Do not use with any opening blocked. Keep openings free of dust, lint, hair, and anything that may reduce air flow.
 - **NEVER** vacuum materials that are burning or smoking, such as hot coals, cigarette butts, matches, burning or smoking ashes, etc.
 - **DO NOT** use to pick up flammable or combustible liquids, such as gasoline, or use in areas where they may be present.
 - **Use extra care when using on stairs.**
 - **Do not** use without dust bowl and filter in place.

IMPORTANT SAFETY INSTRUCTIONS




ditionally seek medical help. Liquid ejected from the battery may cause irritation or burns.

- **Do not charge battery tool in a damp or wet location. Do not use, store, or charge battery packs or products in locations where the temperature is less than 50°F or more than 100°F.** Do not store outside or in vehicles.
- **Protect your lungs. Wear a face or dust mask if the operation is dusty.** Following this rule will reduce the risk of serious personal injury.
- **Check for misalignment or binding of moving parts, breakage of parts, and any other condition that may affect the hand vac's operation. If damaged, have the product serviced before using.** Many accidents are caused by poorly maintained products.





- **Use only accessories that are recommended by the manufacturer for your model.** Accessories that may be suitable for one product may create a risk of injury when used on another product.
- **Do not let gasoline, oils, petroleum-based products, etc., come in contact with plastic parts.** They contain chemicals that can damage, weaken, or destroy plastic.
- **Have servicing performed by a qualified repair person using only identical replacement parts.** This will ensure that the safety of the product is maintained.
- **Appliance is intended for household use only.**
- **This product contains no serviceable parts.**
- **Save these instructions. Refer to them frequently and use them to instruct others who may use this hand vac. If you loan someone this hand vac, loan them these instructions also.**

SYMBOLS

The following signal words and meanings are intended to explain the levels of risk associated with this product.


SYMBOL	SIGNAL	MEANING
	DANGER:	Indicates a hazardous situation, which, if not avoided, will result in death or serious injury.
	WARNING:	Indicates a hazardous situation, which, if not avoided, could result in death or serious injury.
	CAUTION:	Indicates a hazardous situation, that, if not avoided, may result in minor or moderate injury.
	NOTICE:	(Without Safety Alert Symbol) Indicates information considered important, but not related to a potential injury (e.g. messages relating to property damage).

Some of the following symbols may be used on this product. Please study them and learn their meaning. Proper interpretation of these symbols will allow you to operate the product better and safer.

SYMBOL	NAME	DESIGNATION/EXPLANATION
	Safety Alert	Indicates a potential personal injury hazard.
	Read Operator's Manual	To reduce the risk of injury, user must read and understand operator's manual before using this product.
	Wet Conditions Alert	Do not expose to rain or use in damp locations.
	Long Hair	Risk of long hair being drawn into air inlet.

SYMBOLS

Some of the following symbols may be used on this product. Please study them and learn their meaning. Proper interpretation of these symbols will allow you to operate the product better and safer.

SYMBOL	NAME	DESIGNATION/EXPLANATION
	Recycle Symbol	This product uses lithium-ion (Li-ion) batteries. Local, state or federal laws may prohibit disposal of batteries in ordinary trash. Consult your local waste authority for information regarding available recycling and/or disposal options.
V	Volts	Voltage
min	Minutes	Time
==	Direct Current	Type or a characteristic of current
n_0	No Load Speed	Rotational speed, at no load
.../min	Per Minute	Revolutions, strokes, surface speed, orbits etc., per minute

ASSEMBLY

WARNING:

Do not use this product if it is not completely assembled or if any parts appear to be missing or damaged. Use of a product that is not properly and completely assembled or with damaged or missing parts could result in serious personal injury.

WARNING:

Do not attempt to modify this product or create accessories or attachments not recommended for use with this product. Any such alteration or modification is misuse and could result in a hazardous condition leading to possible serious personal injury.

If any parts are damaged or missing, please call 1-800-525-2579 for assistance.

OPERATION

WARNING:

Do not allow familiarity with this product to make you careless. Remember that a careless fraction of a second is sufficient to inflict serious injury.

WARNING:

Always remove battery pack from the tool when you are assembling parts, making adjustments, cleaning, or when not in use. Removing battery pack will prevent accidental starting that could cause serious personal injury.

OPERATION

WARNING:

Do not use any attachments or accessories not recommended by the manufacturer of this product. The use of attachments or accessories not recommended can result in serious personal injury.

APPLICATIONS

You may use this product for the following purpose:

- Light-duty vacuuming of wet or dry surfaces

INSTALLING/REMOVING BATTERY PACK

See Figure 1, page 6.

- Insert the battery pack into the battery port.
- Make sure the latches on each side of the battery pack snap into place and that the battery pack is secured in the hand vac before beginning operation.
- Locate the latches on the side of the battery pack and depress both sides to release the battery pack from the hand vac.

For complete charging instructions, see the operator's manuals for your battery pack and charger.

STARTING/STOPPING THE VACUUM

See Figures 2, page 6.

- **To start the vacuum:** Depress the ON/OFF switch to turn the vacuum on.
- **To stop the vacuum:** Depress the ON/OFF switch to turn the vacuum off.

DRY VACUUMING

See Figure 3, page 6.

Vacuum only items small enough to fit through the hole in the accessory port. The performance of the wet/dry vac will decrease with a full dust bowl. When emptying the dust bowl, check to see if the filter needs replacing.

NOTICE:

Empty and clean the dust bowl before switching from dry vacuuming to wet vacuuming and before switching from wet vacuuming to dry vacuuming. Mud can be difficult to clean from the bin and could clog the inlet filter reducing tool performance.

WET VACUUMING

See Figure 3, page 6.

CAUTION:

Always hold the vacuum at an angle with the nose of the tool facing down when vacuuming liquids or when the dust bowl contains liquid waste. Positioning the vacuum on its side or holding the tool with its nose facing up could allow liquid to enter the motor unit.

When wet vacuuming, monitor the amount of liquid waste present in the dust bowl. Do not allow the amount of liquid waste to exceed the liquid max fill line. When the dust bowl reaches full wet capacity, turn the wet/dry vac OFF and empty the dust bowl into a suitable container.

When you are finished vacuuming, remove and clean the filter as described later in this manual. Allow the filter to dry before reassembling the vacuum.

WARNING:

When vacuuming liquid, make sure the vacuum does not get submerged or doused in liquid, which could cause shock, vacuum failure, or personal injury.

INSTALLING ACCESSORIES

See Figure 4, page 6.

Install only accessories designed for use with this vacuum and/or the adaptor.

- Remove the battery pack.
- Insert the accessory into the opening in the dust bowl.
NOTE: For 1-1/4 in. accessories, insert the adaptor into the opening and slide the accessory onto the adaptor.
- Push the accessory securely into place.
- When not in use, remove and store the accessory and adaptor.

OPERATION

REMOVING/EMPTYING/REATTACHING THE DUST BOWL

See Figures 5 - 7, page 6.

The dust bowl should be checked, emptied, and cleaned periodically to obtain maximum efficiency.

To remove:

- Remove the battery pack.
- Position the vacuum with the accessory port facing down.

CAUTION:

If the dust bowl contains liquid waste, do not turn unit upside down as liquid may enter the motor unit.

- Depress the release button located on top of the hand vac. Pull the dust bowl down and out.

To empty:

- Empty the dust bowl into a suitable container; wash out if necessary. Dry the dust bowl before reassembly.

To reattach:

- Position the two sections as shown. Align the slot on the bottom of dust bowl with the tab on the bottom of motor housing, then snap the two sections together.

MAINTENANCE

This product contains no serviceable parts.

GENERAL MAINTENANCE

Avoid using solvents when cleaning plastic parts. Most plastics are susceptible to damage from various types of commercial solvents and may be damaged by their use. Use clean cloths to remove dirt, dust, oil, grease, etc.

WARNING:

Do not at any time let brake fluids, gasoline, petroleum-based products, penetrating oils, etc., come in contact with plastic parts. Chemicals can damage, weaken or destroy plastic which could result in serious personal injury.

CLEANING/REPLACING THE FILTER

See Figures 5 - 7, page 6.

- Remove the battery pack.
- Depress the release button located on top of the hand vac.
- Remove dust bowl, filter housing, and filter from vacuum.
- Remove filter housing and filter from dust bowl.
- Turn filter counterclockwise and remove it from filter housing.

NOTE: To reassemble, insert filter into filter housing and turn clockwise to lock into place.

- Shake or lightly brush any dust or dirt off the filter.
- Shake or lightly brush any dust off the filter housing. Wash if necessary.
- Empty the dust bowl; wash if necessary. Before reattaching to the hand vac, make sure all pieces are completely dry.

NOTE: Allow 24 hours for parts to dry completely.

When purchasing replacement filter, request recommended part number 019188001005.

NOTE: ILLUSTRATIONS START ON PAGE 7 AFTER FRENCH AND SPANISH LANGUAGE SECTIONS.

INSTRUCTIONS IMPORTANTES CONCERNANT LA SÉCURITÉ

CONSERVER CES INSTRUCTIONS

L'utilisation d'un appareil électrique demande d'observer en tout temps des précautions élémentaires, dont celles-ci :

AVERTISSEMENT !

LIRE ATTENTIVEMENT TOUTES LES INSTRUCTIONS.

Le non-respect de toutes les instructions ci-dessous peut entraîner un choc électrique, un incendie et/ou des blessures graves.

LIRE TOUTES LES INSTRUCTIONS AVANT D'UTILISER CET APPAREIL

AVERTISSEMENT :

Pour réduire le risque de choc électrique, **NE PAS** exposer l'appareil à la pluie. L'entreposer à l'intérieur.




- **NE JAMAIS** utiliser l'aspirateur pour ramasser des charbons ardents, des mégots de cigarettes, des allumettes, des cendres brûlantes ou fumantes, etc.
- **NE PAS** utiliser l'appareil pour aspirer des liquides inflammables ou combustibles comme de l'essence ou dans des endroits où de tels produits peuvent se trouver.
- **Cette unité est conçue uniquement pour aspirer des détritux secs.** Ne pas l'utiliser pour nettoyer des liquides.
- **Ne pas utiliser** l'aspirateur sans la coupe à poussière et le filtre.
- **Redoubler de prudence lors de l'utilisation dans des escaliers.**
- **Ne pas** incinérer cet appareil, même s'il est fortement endommagé. Les piles peuvent exploser si elles sont jetées au feu.
- **Un produit sans fil n'ayant pas besoin d'être branché sur une prise secteur, il est toujours en état de fonctionnement.** Tenir compte des dangers possibles pendant l'utilisation de le produit et du changement d'accessoire.
- **Retirer la pile lorsque l'aspirateur n'est pas en usage et avant tout entretien.**
- **Utiliser ce produit seulement avec la piles et le chargeurs indiqués dans le supplément de raccordement pour chargeur/outils/piles/appareil n° 987000-432.**
- **Ne recharger qu'avec l'appareil spécifié par le fabricant.** Un chargeur approprié pour un type de pile peut créer un risque d'incendie s'il est utilisé avec un autre type de pile.
- **Utiliser exclusivement le bloc-pile spécifiquement indiqué pour l'outil.** L'usage de tout autre bloc peut créer un risque de blessures et d'incendie.
- **Lorsque le bloc-piles n'est pas en usage, le tenir à l'écart d'articles métalliques tels que : les attaches trombones, pièces de monnaie, clés, clous, vis et autres petits objets métalliques risquant d'établir le contact entre les deux bornes.** La mise en court-circuit des bornes de piles peut causer des étincelles, des brûlures ou un incendie.
- **Toujours retirer le bloc-piles de l'outil au moment d'assembler des pièces, d'effectuer des réglages et de procéder au nettoyage, ou lorsque l'outil n'est pas utilisé.** Le fait de retirer le bloc-piles permet d'empêcher un démarrage accidentel pouvant entraîner des blessures graves.
- **Porter des vêtements appropriés. Ne porter ni vêtements amples ni bijoux. Confiner les cheveux longs. Garder les cheveux, les vêtements amples, les doigts ainsi que toutes les parties du corps et des vêtements à l'écart des ouvertures et des pièces en mouvement.** Les vêtements amples, bijoux et cheveux longs peuvent se prendre dans les pièces en mouvement.
- **Ne pas travailler hors de portée. Toujours se tenir bien campé et en équilibre.** Une bonne tenue et un bon équilibre permettent de mieux contrôler l'aspirateur à main en cas de situation imprévue. Ne pas utiliser le produit sur une échelle ou un support instable.
- **Utiliser l'équipement de sécurité.** Un masque filtrant doit être porté dans les environnements poussiéreux.
- **Ne pas** laisser les enfants utiliser le produit ou s'en servir comme un jouet. Porter une attention particulière lorsque des enfants se trouvent à proximité.
- **Utiliser cet produit SEULEMENT pour les applications pour lesquelles il est conçu, selon les instructions de ce manuel.** Utiliser exclusivement les accessoires recommandés dans ce manuel.
- **Si le produit ne fonctionne pas correctement, est tombé, a été endommagé, laissé à l'extérieur ou immergé, le retourner au centre de réparations le plus proche.**
- **Ne pas** manipuler la prise du chargeur ou le produit avec des mains mouillées.
- **Ne pas** insérer dans les ouies d'aération. Ne pas utiliser si des ouvertures sont obstruées. Veiller à ce que les ouvertures ne soient jamais obstruées par de la poussière, de la peluche, des cheveux ou quoi que ce soit risquant de réduire le flux d'air.

INSTRUCTIONS IMPORTANTES CONCERNANT LA SÉCURITÉ

- **Ne pas utiliser un bloc-piles ou outil électrique endommagé ou modifié.** Le bris ou la modification du bloc-piles peut causer un comportement imprévisible et causer un incendie, une explosion ou des blessures.
- **Ne pas modifier ou tenter de réparer un outil électrique ou bloc-piles ayant été endommagé.**
- **Afin de réduire les risques de blessures graves, ne jamais utiliser ou exposer de bloc-piles ou l'outil électrique en présence d'une flamme nue ou à une température supérieure à 129,4 °C (265 °F).** Une pile qui explose peut projeter des débris et des produits chimiques. En cas d'exposition, rincer immédiatement avec de l'eau.
- **Éviter les démarrages accidentels. S'assurer que le commutateur est en position d'arrêt avant de brancher l'outil.** Porter un outil avec le doigt sur son commutateur ou brancher un outil dont le commutateur est en position de marche peut causer un accident.
- **En cas d'usage abusif, du liquide peut s'échapper des piles. Éviter tout contact avec ce liquide. En cas de contact accidentel, rincer immédiatement les parties atteintes avec de l'eau. En cas d'éclaboussure dans les yeux consulter un médecin.** Le liquide s'échappant des piles peut causer des irritations ou des brûlures.
- **Ne pas recharger un outil fonctionnant sur piles dans un endroit humide ou mouillé. Ne pas utiliser, remiser ou charger le bloc-piles ou produits dans des emplacements où la température est inférieure 10 °C (50 °F) à ou supérieure à 38 °C (100 °F).** Ne pas ranger l'outil à l'extérieur ou dans un véhicule.
- **Protection respiratoire. Porter un masque facial ou un masque anti-poussière si le travail produit de la poussière.** Le respect de cette règle réduira les risques de blessures graves.
- **Vérifier qu'aucune pièce mobile n'est mal alignée ou bloquée, qu'aucune pièce n'est brisée et s'assurer qu'aucun autre problème ne risque d'affecter le bon fonctionnement de le produit. En cas de dommages, faire réparer l'outil avant de l'utiliser de nouveau.** Plusieurs accidents sont causés par des produits mal entretenus.
- **Utiliser exclusivement les accessoires recommandés par le fabricant pour le modèle d'produit.** Des accessoires appropriés pour un produit peuvent être dangereux s'ils sont utilisés avec un autre.
- **Ne jamais laisser de liquides tels que, l'essence, les produits à base de pétrole, les huiles pénétrantes, etc., entrer en contact avec les pièces en plastique.** Ces liquides contiennent chimiques susceptibles d'endommager, d'affaiblir ou de détruire le plastique.
- **Demander à un réparateur qualifié d'effectuer la réparation en utilisant des pièces de rechange identiques.** Ceci assurera la bonne sécurité du produit réparé.
- **Aucune pièce de ce produit ne peut être réparée par l'utilisateur.**
- **Ce produit est conçu pour un usage domestique seulement.**
- **Conservé ces instructions. Les consulter fréquemment et les utiliser pour instruire les autres utilisateurs éventuels. Si cet aspirateur à main est prêté, il doit être accompagné de ces instructions.**






SYMBOLES

Les termes de mise en garde suivants et leur signification ont pour but d'expliquer le degré de risques associé à l'utilisation de ce produit.

SYMBOLE	SIGNAL	SIGNIFICATION
	DANGER :	Indique une situation dangereuse qui, si elle n'est pas évitée, aura pour conséquences des blessures graves ou mortelles.
	AVERTISSEMENT :	Indique une situation dangereuse qui, si elle n'est pas évitée, pourrait entraîner des blessures graves ou mortelles.
	ATTENTION :	Indique une situation dangereuse qui, si elle n'est pas évitée, pourrait entraîner des blessures légères ou de gravité modérée.
	AVIS :	(Sans symbole d'alerte de sécurité) Indique les informations jugées importantes sans toutefois représenter un risque de blessure (ex. : messages concernant les dommages matériels).

SYMBOLES

Certains des symboles ci-dessous peuvent être utilisés sur produit. Veiller à les étudier et à apprendre leur signification. Une interprétation correcte de ces symboles permettra d'utiliser produit plus efficacement et de réduire les risques.

SYMBOLE	NOM	DÉSIGNATION / EXPLICATION
	Symbole d'alerte de sécurité	Indique un risque de blessure potentiel.
	Lire manuel d'utilisation	Pour réduire les risques de blessures, l'utilisateur doit lire et veiller à bien comprendre le manuel d'utilisation avant d'utiliser ce produit.
	Avertissement concernant l'humidité	Ne pas exposer à la pluie ou l'humidité.
	Cheveux longs	Risque que les cheveux longs soient aspirés dans l'entrée d'air.
	Symbole de recyclage	Ce produit utilise les piles de lithium-ion (Li-ion). Les réglementations locales ou gouvernementales peuvent interdire de jeter les piles dans les ordures ménagères. Consulter les autorités locales compétentes pour les options de recyclage et/ou l'élimination.
V	Volts	Tension
min	Minutes	Temps
—	Courant continu	Type ou caractéristique du courant
n_0	Vitesse à vide	Vitesse de rotation à vide
.../min	Par minute	Tours, coups, vitesse périphérique, orbites, etc., par minute

ASSEMBLAGE

AVERTISSEMENT :

Ne pas utiliser le produit s'il n'est pas complètement assemblé ou si des pièces semblent manquantes ou endommagées. L'utilisation d'un produit dont l'assemblage est incorrect ou incomplet ou comportant des pièces endommagées ou absentes représente un risque de blessures graves.

AVERTISSEMENT :

Ne pas essayer de modifier cet outil ou de créer des pièces et accessoires non recommandés. De telles altérations ou modifications sont considérées comme un usage abusif et peuvent créer des conditions dangereuses, risquant d'entraîner des blessures graves.

Si des pièces manquent ou sont endommagées, veuillez appeler au 1-800-525-2579 pour obtenir de l'aide.

UTILISATION

AVERTISSEMENT :

Ne pas laisser la familiarité avec l'outil faire oublier la prudence. Ne pas oublier qu'une fraction de seconde d'inattention peut entraîner des blessures graves.

AVERTISSEMENT :

Toujours retirer la bloc-pile de l'outil au moment d'assembler des pièces, d'effectuer des réglages et de procéder au nettoyage, ou lorsque l'outil n'est pas utilisé. Si cette précaution n'est pas prise, des objets peuvent être projetés dans les yeux et causer des lésions graves.

UTILISATION

AVERTISSEMENT :

Ne pas utiliser d'outils ou accessoires non recommandés par le fabricant pour cet outil. L'utilisation de pièces et accessoires non recommandés peut entraîner des blessures graves.

APPLICATIONS

Cet outil ne doit être utilisé que pour les applications listées ci-dessous.

- Nettoyage léger des surfaces sèches

INSTALLATION/RETRAIT DU BLOC-PILES

Voir la figure 1, page 6.

- Insérer le bloc-piles dans la prise pour piles.
- S'assurer que ses deux loquets latéraux s'engagent correctement et vérifier que le bloc est solidement assujéti avant d'utiliser l'aspirateur.
- Appuyer sur les deux loquets se trouvant sur les côtés du bloc-piles pour le séparer de l'aspirateur.

Pour prendre connaissance des consignes de chargement, consulter le manuel d'utilisation des piles et des chargeurs.

MISE EN MARCHÉ/ARRÊT DE L'ASPIRATEUR

Voir la figure 2, page 6.

- **Pour mettre l'aspirateur en marche :** Pousser le commutateur MARCHÉ/ARRÊT vers l'avant de l'aspirateur.
- **Pour arrêter l'aspirateur :** Pousser le commutateur MARCHÉ/ARRÊT vers l'arrière de l'aspirateur.

L'ASPIRATION À SEC

Voir la figure 3, page 6.

Aspirer seulement les éléments suffisamment petits pour entrer dans le trou du port de l'accessoire. La performance de l'aspirateur sec/humide diminuera avec un récipient de collecte plein. Au moment de vider le récipient de collecte, vérifier si le filtre pour l'utilisation à sec doit être remplacé.

AVIS :

Vider et nettoyer le récipient de collecte avant de passer de l'aspiration à sec à l'aspiration humide et avant de passer de l'aspiration humide à l'aspiration à sec. La boue peut être difficile à nettoyer du récipient et risque de boucher le filtre d'entrée, ce qui réduit les performances de l'outil.

L'ASPIRATION HUMIDE

Voir la figure 3, page 6.

ATTENTION :

Tenir toujours l'aspirateur en biais, le nez de l'outil vers le bas, lorsque vous aspirez des liquides ou lorsque le récipient de collecte contient des déchets liquides. Le fait de positionner l'aspirateur sur le côté ou de tenir l'outil avec le nez vers le haut pourrait permettre au liquide de pénétrer dans l'unité moteur.

Lorsque vous passez l'aspirateur humide, surveiller la quantité de déchets liquides présents dans le récipient de collecte. Ne pas laisser la quantité de déchets liquides dépasser la ligne de remplissage maximale de liquide. Lorsque le récipient de collecte a atteint sa pleine capacité, éteindre l'aspirateur sec/humide et vider le récipient de collecte dans un récipient approprié.

Lorsque vous avez fini de passer l'aspirateur, retirer et nettoyer le filtre comme décrit plus loin dans ce manuel. Laisser le filtre sécher avant de réassembler l'aspirateur.

AVERTISSEMENT :

Lors de l'aspiration de liquides, assurez-vous que l'aspirateur-traîneau ne soit pas immergé ou aspergé de liquides, ce qui pourrait causer une décharge électrique, une panne de l'aspirateur ou des blessures.

INSTALLATION/RETRAIT DES ACCESSOIRES

Voir la figure 4, page 6.

Installer uniquement les accessoires conçus pour être utilisés avec cet aspirateur et/ou l'adaptateur.

- Retirer le bloc-piles.
- Insérer l'accessoire dans l'ouverture du récipient de collecte.

NOTE : Pour les accessoires de 3,18 cm, insérer l'adaptateur dans l'ouverture et faire glisser l'accessoire sur l'adaptateur.

- Pousser l'accessoire pour qu'il soit bien en place.
- Lorsqu'ils ne sont pas utilisés, retirer et ranger l'accessoire et l'adaptateur.

UTILISATION

RETRAIT/REMISE EN PLACE DE LA COUPE À POUSSIÈRE

Voir les figures 5 à 7, page 6.

Le récipient de collecte doit être vérifié, vidé et nettoyé régulièrement pour obtenir une efficacité maximale.

Pour les retirer :

- Retirer le bloc-pile.
- Positionner l'aspirateur avec le port d'accessoires vers le bas.

ATTENTION :

Si le récipient de collecte contient des déchets liquides, ne pas retourner l'appareil car le liquide pourrait pénétrer dans l'unité moteur.

- Appuyer sur le bouton de libération situé sur le dessus de l'aspirateur à main. Tirer le récipient de collecte vers le bas et vers l'extérieur.

Pour vider :

- Vider le récipient de collecte dans un récipient approprié; le laver si nécessaire. Sécher le récipient de collecte avant de le remonter.

Pour réinstallez :

- Positionner les deux sections comme illustré. Aligner les fentes du bas de la coupe à poussière sur le languette du bas du bloc moteur et encliqueter les deux pièces.

ENTRETIEN

Aucune pièce de ce produit ne peut être réparée par l'utilisateur.

ENTRETIEN GÉNÉRAL

Éviter d'utiliser des solvants pour le nettoyage des pièces en plastique. La plupart des matières plastiques peuvent être endommagées par divers types de solvants du commerce. Utiliser un chiffon propre pour éliminer la saleté, la poussière, l'huile, la graisse, etc.

AVERTISSEMENT :

Ne jamais laisser de liquides tels que le fluide de freins, l'essence, les produits à base de pétrole, les huiles pénétrantes, etc., entrer en contact avec les pièces en plastique. Les produits chimiques peuvent endommager, affaiblir ou détruire le plastique, ce qui peut entraîner des blessures graves.

LIMPIE O REEMPLACE EL FILTRO

Voir les figures 5 à 7, page 6.

- Retirer le bloc-piles.
- Enfoncer sur le bouton de verrouillage du dessus de l'aspirateur à main.
- Retirer la coupe à poussière, le boîtier du filtre et le filtre de l'aspirateur.
- Retirer le boîtier du filtre et filtre de la coupe à poussière.
- Tourner le filtre en sens antihoraire et l'enlever du boîtier du filtre.

NOTE : Pour replacer, insérer le filtre dans le boîtier du filtre et tournez-le dans le sens horaire pour bien le fermer.

- Secouer ou brosser légèrement le filtre pour retirer la poussière ou la saleté.
- Secouer ou brosser légèrement le boîtier du filtre pour retirer la poussière. Laver au besoin.
- Vider la coupe à poussière; laver au besoin. Avant de remettre dans l'aspirateur à main, vérifier que toutes les pièces sont complètement sèches.

NOTE : Laisser les pièces sécher complètement pendant 24 heures.

Si la pièce doit être remplacée, demander la pièce recommandée, réf. 019188001005.

**NOTE : ILLUSTRATIONS COMMENÇANT
SUR 6 DE PAGE APRÈS LE SECTION ESPAGNOL.**

IMPORTANTES INSTRUCCIONES DE SEGURIDAD

GUARDE ESTAS INSTRUCCIONES

Al utilizar un aparato eléctrico, deben seguirse ciertas precauciones básicas, como las siguientes:

¡ADVERTENCIA!

LEA Y COMPRENDA TODAS LAS INSTRUCCIONES.

El incumplimiento de las instrucciones señaladas abajo puede causar descargas eléctricas, incendios y lesiones serias.

LEA TODAS LAS INSTRUCCIONES ANTES DE USAR ESTE APARATO

ADVERTENCIA:

Para reducir el riesgo de una descarga eléctrica **NO** exponga la unidad a la lluvia. Guárdela en el interior.

- **Vístase de manera apropiada. No use ropas holgadas ni joyas. Recójase el cabello si está largo. Mantenga el cabello, la ropa holgada, los dedos y todas las partes del cuerpo o la ropa alejados de las aberturas y las piezas móviles.** Las ropas holgadas, las joyas y el cabello largo pueden engancharse en las piezas internas móviles.
- **No estire el cuerpo para alcanzar mayor distancia. Mantenga una postura firme y buen equilibrio en todo momento.** La postura firme y el buen equilibrio permiten un mejor control de la aspiradora de mano en situaciones inesperadas. No utilice la unidad al estar en una escalera o en un soporte inestable.
- **Use equipo de seguridad.** Se debe usar mascarilla contra el polvo en las condiciones que así lo requieran.
- **No permita que ningún niño utilice o juegue con la producto como si fuera un juguete.** Debe tenerse extrema precaución cuando se use al lado de o cerca de niños.
- **Utilice esta producto SOLAMENTE para los fines especificados en este manual.** Solamente utilice accesorios recomendados en este manual.
- **Si el producto no está funcionando adecuadamente,** se dejó caer, se dañó, se dejó a la intemperie, o se dejó caer dentro del agua, regrésela al centro de servicio más cercano.
- **No manipule la clavija del cargador o el producto con las manos mojadas.**
- **No ponga ningún objeto en las aberturas de ventilación.** No use la unidad con ninguna abertura bloqueada. Mantenga las aberturas libres de polvo, pelusa, pelo y cualquier cosa que pueda reducir el flujo de aire.
- **NUNCA** aspire materiales con brasas calientes, colillas de cigarrillos, fósforos, cenizas candentes o humeantes, etc.
- **NO** utilice la unidad para recoger líquidos inflamables o combustibles, como la gasolina, ni la utilice en lugares donde pueda haber presentes dichos líquidos.
- **Esta unidad sólo debe utilizarse para aspirar superficies secas.** No la utilice para limpiar líquidos.
- **No** use la unidad sin el colector de polvo y el filtro en su lugar.
- **Tenga cuidado extremo al utilizar la unidad en escaleras.**
- **No** incinere este aparato, incluso si está dañado seriamente. Pueden estallar y quedar envueltas en fuego las baterías.
- **El producto no tiene que estar enchufada en una toma de corriente, para estar siempre en condiciones de funcionamiento.** Esté consciente de los posibles peligros cuando esté usando el producto o cuando esté cambiando los accesorios de la misma.
- **Cuando no esté usándose la aspiradora y antes de dársele servicio debe retirarse la batería.**
- **Usar este producto únicamente con la baterías y el cargadores indicados en el folleto de la herramienta/aparato/paquete de baterías/cargador complementario 987000-432.**
- **Sólo cargue el paquete de baterías con el cargador especificado por el fabricante.** Un cargador adecuado para un tipo paquete de baterías puede significar un riesgo de incendio si se emplea con un paquete de baterías diferente.
- **Utilice las herramientas eléctricas sólo con los paquetes de baterías específicamente indicados.** El empleo de paquetes de baterías diferentes puede presentar un riesgo de incendio.
- **Cuando no esté usando el paquete de baterías, manténgala alejado de todo objeto metálico como: clips, monedas, llaves, clavos, tornillos y otros objetos metálicos pequeños que puedan establecer conexión entre ambas terminales.** Establecer una conexión directa entre las dos terminales puede causar chispas, quemaduras o incendios.
- **Siempre retire el paquete de baterías de la herramienta cuando esté ensamblando partes, realizando ajustes, limpiando o cuando ésta no esté en uso.** Si retira el paquete de baterías, evitará arranques accidentales que podrían provocar lesiones graves.
- **No utilice un paquete de baterías o herramienta eléctrica que esté dañado o modificado.** Las baterías

IMPORTANTES INSTRUCCIONES DE SEGURIDAD

dañadas o modificadas pueden tener un funcionamiento impredecible que provoque incendios, explosiones o riesgo de lesiones.

- **No modifique o intente reparar una herramienta eléctrica o un paquete de baterías que esté dañado.**
- **Para reducir el riesgo de lesiones personales graves, nunca use o exponga un paquete de baterías o producto inalámbrico en presencia de una llama abierta o a una temperatura superior a los 129,4 °C (265 °F).** Una batería que explotó puede expulsar escombros y productos químicos. Si ha quedado expuesto a la explosión de una batería, lávese de inmediato con agua.
- **Evite un arranque accidental de la unidad. Asegúrese de que el interruptor esté en la posición de apagado antes de conectar la herramienta.** Portar las herramientas eléctricas con el dedo en el interruptor, o conectarlas con el interruptor puesto, propicia accidentes.
- **Si se maltratan las baterías, puede derramarse líquido de las mismas; evite todo contacto con éste. En caso de contacto, lávese con agua. Si el líquido llega a tocar los ojos, además busque atención médica.** El líquido de las baterías puede causar irritación y quemaduras.
- **No cargue herramientas de baterías en lugares mojados o húmedos. No lo utilice, guarde o cargue la paquete de baterías o la product unidad en lugares donde la temperatura sea inferior a 10 °C (50 °F) o superior a 38 °C (100 °F).** No guarde la herramienta a la intemperie ni en el interior de vehículos.
- **Protéjase los pulmones. Use una careta o mascarilla contra el polvo si la operación genera mucho polvo.**

Con el cumplimiento de esta regla se reduce el riesgo de lesiones corporales serias.

- **Revise para ver si hay desalineación o atoramiento de piezas móviles, ruptura de piezas o toda otra condición que pueda afectar el funcionamiento de el producto. Si se daña la herramienta, llévela a servicio antes de volver a utilizarla.** Numerosos accidentes son causados por herramientas mal cuidadas.
- **Sólo utilice accesorios recomendados por el fabricante para cada modelo en particular.** Accesorios que pueden ser adecuados para una producto pueden significar un riesgo de lesiones si se emplean con otra producto.
- **No permita que gasolina, aceites, productos a base de petróleo, etc., lleguen a tocar las piezas de plástico.** Dichos productos contienen compuestos químicos que pueden dañar, debilitar o destruir el plástico.
- **Verifique que un técnico de reparación calificado haga el mantenimiento usando solo repuestos idénticos.** De esta manera se mantiene la seguridad del product.
- **Esta producto está diseñada para uso casero solamente.**
- **Este producto no contiene piezas que puedan repararse.**
- **Guarde estas instrucciones. Consúltelas con frecuencia y empléelas para instruir a otras personas que puedan utilizar esta aspiradora de mano. Si presta a alguien esta aspiradora de mano, facilítele también las instrucciones.**






SÍMBOLOS

Las siguientes palabras de señalización y sus significados tienen el objeto de explicar los niveles de riesgo relacionados con este producto.

SÍMBOLO	SEÑAL	SIGNIFICADO
	PELIGRO:	Indica una situación peligrosa, la cual, si no se evita, causará la muerte o lesiones serias.
	ADVERTENCIA:	Indica una situación peligrosa, la cual, si no se evita, podría causar la muerte o lesiones serias.
	PRECAUCIÓN:	Indica una situación peligrosa, la cual, si no se evita, podría causar lesiones menores o leves.
	AVISO:	(Sin el símbolo de alerta de seguridad) Indica la información que se considera importante, pero no relacionada con lesiones potenciales (por ej. en relación a daños a la propiedad).

SÍMBOLOS

Es posible que se empleen en este producto algunos de los siguientes símbolos. Le suplicamos estudiarlos y aprender su significado. Una correcta interpretación de estos símbolos le permitirá utilizar mejor y de manera más segura el producto.

SÍMBOLO	NOMBRE	DENOMINACIÓN/EXPLICACIÓN
	Alerta de seguridad	Indica un peligro posible de lesiones personales.
	Lea el manual del operador	Para reducir el riesgo de lesiones, el usuario debe leer y comprender el manual del operador antes de usar este producto.
	Alerta de condiciones húmedas	No exponga la unidad a la lluvia ni la use en lugares húmedos.
	Cabello largo	Riesgo de que el cabello largo quede atrapado en la entrada de aire.
	Símbolo de reciclado	Este producto utiliza baterías de iones de litio (Li-ion). Es posible que algunas leyes municipales, estatales o federales prohíban desechar las baterías en la basura normal. Consulte a las autoridades reguladoras de desechos para obtener información en relación con las alternativas de reciclado y desecho disponibles.
V	Volts	Voltaje
min	Minutos	Tiempo
==	Corriente continua	Tipo o característica de corriente
n_0	Velocidad en vacío	Velocidad de rotación, en vacío
.../min	Por minuto	Revoluciones, carreras, velocidad superficial, órbitas, etc., por minuto

ARMADO

ADVERTENCIA:

No use este producto si no está totalmente ensamblado o si alguna pieza falta o está dañada. El uso de un producto que no está adecuadamente y completamente ensamblado o posee partes dañadas o faltantes puede resultar en lesiones personales graves.

ADVERTENCIA:

No intente modificar este producto ni crear aditamentos o accesorios que no estén recomendados para usar con este producto. Dichas alteraciones o modificaciones constituyen un uso indebido y podrían provocar una situación de riesgo que cause posibles lesiones personales graves.

Si hay piezas dañadas o faltantes, le suplicamos llamar al 1-800-525-2579, donde le brindaremos asistencia. En México, llame al 01-800-843-1111.

FUNCIONAMIENTO

ADVERTENCIA:

No permita que su familiarización con las herramientas lo vuelva descuidado. Tenga presente que un descuido de un instante es suficiente para causar una lesión grave.

ADVERTENCIA:

Siempre retire el paquete de baterías de la herramienta cuando esté ensamblando partes, realizando ajustes, limpiando o cuando ésta no esté en uso. Retirando el paquete de baterías se evita arrancar accidentalmente la unidad, lo cual puede causar lesiones serias.

FUNCIONAMIENTO

ADVERTENCIA:

No utilice ningún aditamento o accesorio no recomendado por el fabricante de este producto. El empleo de aditamentos o accesorios no recomendados podría causar lesiones serias.

APLICACIONES

Este producto puede emplearse para los fines siguientes:

- Limpieza liviana con aspiradora de superficies secas

PARA INSTALAR/DESMONTAR EL PAQUETE DE BATERÍAS

Vea la figura 1, página 6.

- Inserte el paquete de batería en el puerto de batería.
- Asegúrese de que los pestillos situados en ambos lados del paquete de baterías entren completamente en su lugar, y de que el paquete quede bien fijo en la aspiradora de mano antes de empezar a utilizar éste.
- Oprima los pestillos situados en ambos lados del paquete de baterías para soltar éste de la aspiradora de mano.

Para obtener instrucciones específicas de carga, lea el manual del operador que se incluye con el cargador y la batería.

ENCENDIDO Y APAGADO DE LA ASPIRADORA

Vea la figura 2, página 6.

- **Para encender la aspiradora:** deslice el interruptor de ENCENDIDO/APAGADO hacia al parte frontal de la aspiradora.
- **Para apagar la aspiradora:** deslice el interruptor de ENCENDIDO/APAGADO hacia al parte posterior de la aspiradora.

ASPIRADO EN SECO

Vea la figura 2, página 6.

Aspire solo elementos lo suficientemente pequeños para que pasen por el orificio del puerto para accesorios. El desempeño de la aspiradora de trabajo en seco/húmedo se verá disminuido cuando el colector de polvo esté lleno. Al vaciar el colector de polvo, compruebe si el filtro debe reemplazarse.

AVISO:

Vacíe y limpie el colector de polvo antes de cambiar de aspiración en seco a aspiración en húmedo y viceversa. El barro puede ser difícil de limpiar del depósito y podría obstruir el filtro de entrada, reduciendo el rendimiento de la herramienta.

WET VACUUMING

Vea la figura 3, página 6.

PRECAUCIÓN:

Mantenga siempre la aspiradora en ángulo con la punta hacia abajo cuando aspire líquidos o cuando el recipiente para polvo contenga desechos líquidos. Si coloca la aspiradora de costado o la sostiene con la punta hacia arriba, podría permitir que ingrese líquido a la unidad del motor.

Al pasar la aspiradora en húmedo, controle la cantidad de desechos líquidos presentes en el colector de polvo. No deje que la cantidad de desechos líquidos exceda la línea de llenado máximo correspondiente. Cuando el colector de polvo alcance su capacidad total para trabajo húmedo, apague la aspiradora de trabajo en seco/húmedo y vacíe el colector en un recipiente adecuado.

Cuando haya terminado de aspirar, retire y limpie el filtro como se describe más adelante en este manual. Deje que el filtro se seque antes de volver a montar la aspiradora.

ADVERTENCIA:

Al aspirar líquidos, asegúrese de que la aspiradora no se sumerja ni se moje, ya que podría provocar una descarga, la falla de la aspiradora o lesiones personales.

INSTALACIÓN/EXTRACCIÓN DE ACCESORIOS

Vea la figura 4, página 6.

Instale solo los accesorios diseñados para usar con esta aspiradora o el adaptador.

- Retire el paquete de baterías.
- Inserte el accesorio en la abertura del colector de polvo.
NOTA: Para accesorios de 3,81 cm, inserte el adaptador en la abertura y deslice el accesorio en el adaptador.
- Empuje el accesorio de forma segura en su lugar.
- Cuando no esté en uso, retire y guarde el accesorio y el adaptador.

FUNCIONAMIENTO

DESMONTAJE Y MONTAJE DEL COLECTOR DE POLVO

Vea las figuras 5 a 7, página 6.

El colector de polvo debe inspeccionarse, vaciarse y limpiarse periódicamente para obtener la máxima eficiencia.

Para desmontaje:

- Retire el paquete de baterías.
- Coloque la aspiradora con el puerto de accesorios hacia abajo.

PRECAUCIÓN:

Si el colector de polvo contiene desechos líquidos, no ponga la unidad boca abajo, ya que podría entrar líquido en la unidad del motor.

- Presione el botón de liberación ubicado en la parte superior de la aspiradora de mano. Tire del colector de polvo para hacia abajo y hacia afuera.

Para vaciarlo:

- Vacíe el colector de polvo en un recipiente adecuado; lavar si es necesario. Seque el colector de polvo antes de volver a colocarlo.

Para montaje:

- Coloque las dos secciones como se muestra. Alinee las ranuras situadas en la parte inferior del colector de polvo con las orejetas de la parte inferior del alojamiento del motor, y después una a presión las dos secciones.

MANTENIMIENTO

Este producto no contiene piezas que puedan repararse.

MANTENIMIENTO GENERAL

Evite el empleo de solventes al limpiar piezas de plástico. La mayoría de los plásticos son susceptibles a diferentes tipos de solventes comerciales y pueden resultar dañados. Utilice paños limpios para eliminar la suciedad, el polvo, el aceite, la grasa, etc.

ADVERTENCIA:

No permita en ningún momento que fluidos para frenos, gasolina, productos a base de petróleo, aceites penetrantes, etc., lleguen a tocar las piezas de plástico. Las sustancias químicas pueden dañar, debilitar o destruir el plástico, lo cual a su vez puede producir lesiones corporales serias.

DESMONTAJE Y LIMPIEZA / REEMPLAZAR DEL FILTRO

Vea las figuras 5 a 7, página 6.

- Retire el paquete de baterías y de colector de polvo.
- Presione hacia adelante el botón de liberación, el cual está situado en la parte superior de la aspiradora de mano.
- Retire el recipiente para polvo, la carcasa del filtro y el filtro de la aspiradora.
- Retire la carcasa del filtro y filtro del recipiente para polvo.
- Gire el filtro hacia la izquierda y retírelo del colector de polvo.

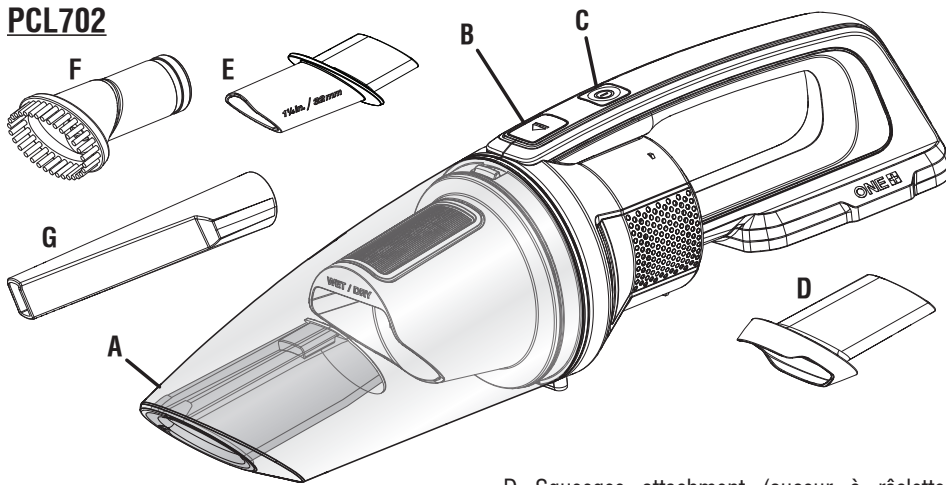
NOTA: Para reinstalar, introduzca el filtro en la carcasa del filtro y gírela hacia la derecha para asegurarla.

- Sacuda o cepille ligeramente el polvo o la suciedad del filtro.
- Sacuda o cepille ligeramente el polvo de la carcasa del filtro. Lávelo si es necesario.
- Vacíe el recipiente para polvo; lávelo si es necesario. Antes de volverlos a instalar en la aspiradora de mano, asegúrese que todas las piezas estén completamente secas.

NOTA: Deje que transcurran 24 horas para que las piezas se sequen por completo.

Al adquirir un pieza de repuesto, solicite el recomendado, el número de pieza 019188001005.

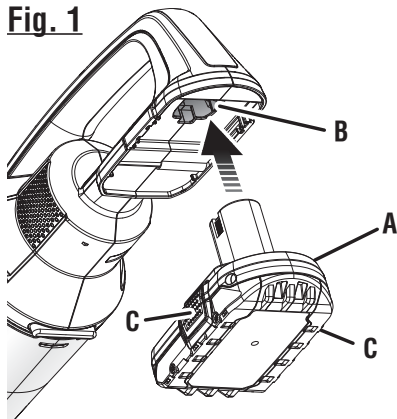
PCL702



- A - Dust bowl (coupe à poussière, colector de polvo)
- B - Release button (bouton de relâchement, botón de afloje)
- C - ON/OFF switch (commutateur marche/arrêt, interruptor de encendido/apagado)

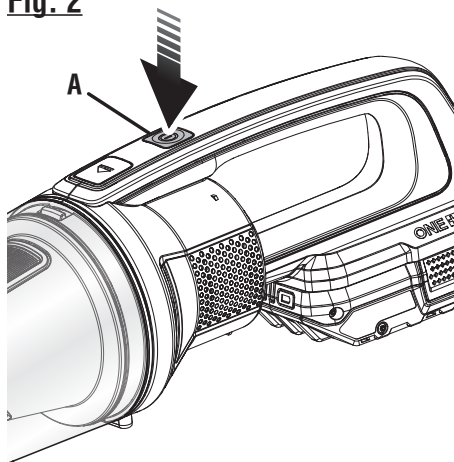
- D - Squeegee attachment (suceur à râclette, aditamento de limpiador de goma)
- E - Adaptor (adaptateur, adaptador)
- F - Dust brush (brosse à poussière, cepillo para polvo)
- G - Crevice tool (suceur plat, herramienta para hendiduras)

Fig. 1



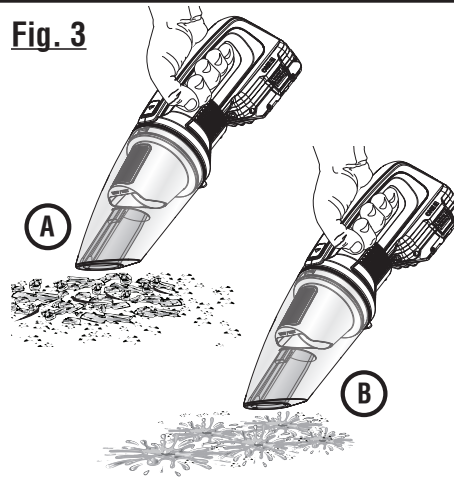
- A - Battery pack (bloc-pile, paquete de batería)
- B - Battery port (logement de piles, compartimento de la batería)
- C - Latches (loquets, pestillos)

Fig. 2



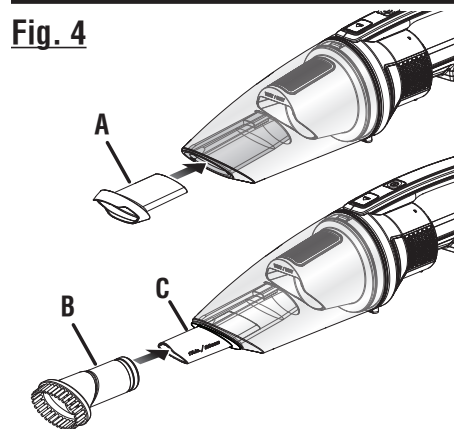
- A - ON/OFF switch (commutateur marche/arrêt, interruptor de encendido/apagado)

Fig. 3



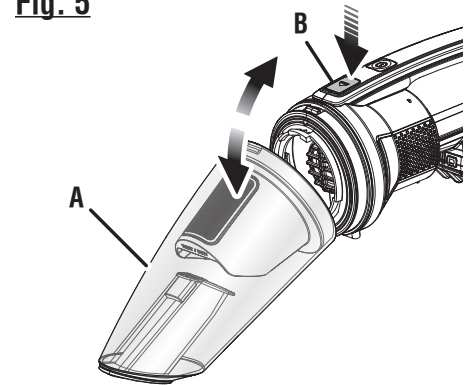
- A - Dry vacuuming (aspiration à sec, aspirado en seco)
- B - Wet vacuuming (aspiration humide, aspirado en húmedo)

Fig. 4



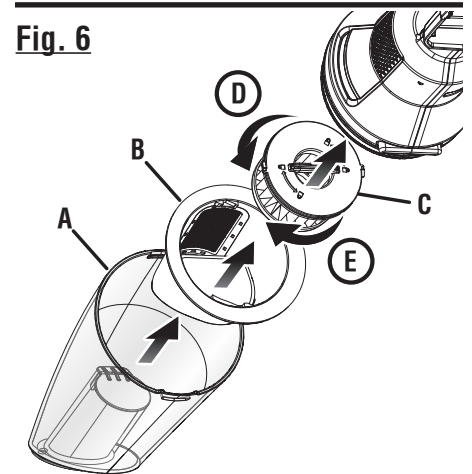
- A - Squeegee attachment (suceur à râclette, aditamento de limpiador de goma)
- B - Dust brush (brosse à poussière, cepillo para polvo)
- C - Adaptor (adaptateur, adaptador)

Fig. 5



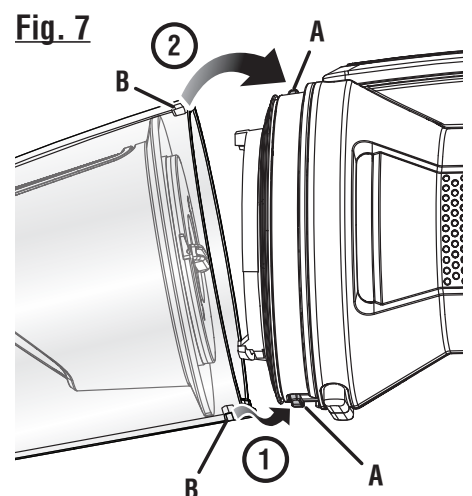
- A - Dust bowl (coupe à poussière, colector de polvo)
- B - Release button (partially pressed) [bouton de relâchement (enfoncé partiellement), botón de afloje (parcialmente presionado)]

Fig. 6



- A - Dust bowl (coupe à poussière, colector de polvo)
- B - Filter Housing (boîtier du filtre, carcasa de filtro)
- C - Filter (filtre, filtro)
- D - To unlock (pour déverrouiller, para desbloquear)
- E - To lock (pour verrouiller, para asegurar)

Fig. 7



- A - Tab (languette, orejeta)
- B - Slot (fente, ranura)



**OPERATOR'S MANUAL/18 VOLT WET/DRY VACUUM
MANUEL D'UTILISATION/ASPIRATEUR À SEC/HUMIDE DE 18 V
MANUAL DEL OPERADOR/ASPIRADORA PARA MOJADO/SECO DE 18 V
PCL702**

To request service, purchase replacement parts,
locate an Authorized Service Center or obtain Customer or Technical Support:
Visit **www.ryobitools.com** or call **1-800-525-2579**

If any parts or accessories are damaged or missing, do not return this product to the store.
Call **1-800-525-2579** for immediate service.

Please obtain your model and serial number from the product data plate.
This product is covered under a 3-year limited Warranty. Proof of purchase is required.

MODEL NUMBER* _____ SERIAL NUMBER _____

**Model number on product may have additional letters at the end. These letters designate manufacturing information and should be provided when calling for service.*

RYOBI is a trademark of Ryobi Limited and is used pursuant to a license granted by Ryobi Limited.

Pour faire une demande de réparations ou obtenir des pièces de rechange, trouver un
Centre de réparations agréé pour obtenir un soutien technique ou le Service à la clientèle :
Visiter **www.ryobitools.com** ou en téléphonant au **1-800-525-2579**

Si des pièces ou accessoires sont manquantes ou endommagées, ne pas retourner
ce produit au magasin. Appeler immédiatement au **1-800-525-2579** pour obtenir de l'aide.

Inscrire les numéros de modèle et de série inscrits sur la plaque d'identification du produit.
Ce produit est couvert par une garantie limitée de trois (3) ans. Une preuve d'achat est exigée.

NUMÉRO DE MODÈLE* _____ NUMÉRO DE SÉRIE _____

**Le numéro de modèle sur le produit peut contenir des lettres supplémentaires à la fin. Ces lettres désignent les informations du fabricant et doivent être fournies lors d'un appel de demande de service.*

RYOBI est une marque de Ryobi Limited et est utilisée en vertu d'une licence accordée par Ryobi Limited.

Para obtener servicio, comprar piezas de repuesto, localizar un centro de servicio autorizado
y obtener Servicio o Asistencia Técnica al Consumidor:

Visite **www.ryobitools.com** (en la EE.UU.) o **www.ryobitools.mx** (en México)
o llame al **1-800-525-2579** (en la EE.UU.) o **800-843-1111** (en México).

Si hay alguna pieza o accesorios dañada o faltante, no devuelva este producto a la tienda.
Llame al **1-800-525-2579** (en la EE.UU.) o **800-843-1111** (en México) para servicio técnico inmediato.

Obtenga su modelo y número de serie de la placa de datos del producto.
Este producto está cubierto con una garantía limitada de 3 años. Se solicita prueba de la compra.

NÚMERO DE MODELO* _____ NÚMERO DE SERIE _____

**El número de modelo que figura en el producto podría tener letras adicionales al final. Estas designan información de fabricación y deben suministrarse cuando llame para obtener asistencia o servicio.*

RYOBI es una marca de Ryobi Limited y se utiliza conforme a una licencia otorgada por Ryobi Limited.

TTI CONSUMER POWER TOOLS, INC.

P.O. Box 1288, Anderson, SC 29622 • Phone 1-800-525-2579
États-Unis, Téléphone 1-800-525-2579 • USA, Teléfono 1-800-525-2579

www.ryobitools.com