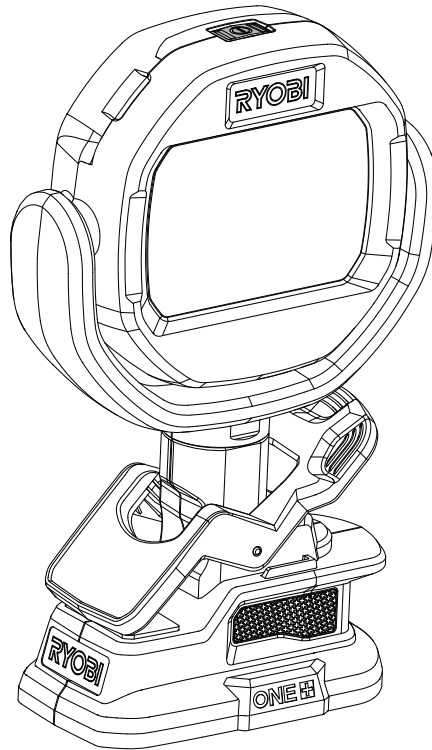


# REPAIR SHEET

BRAND  
**RYOBI**

DESCRIPTION  
**18V LED Clamp Light**

MODEL NO.  
**PCL663**

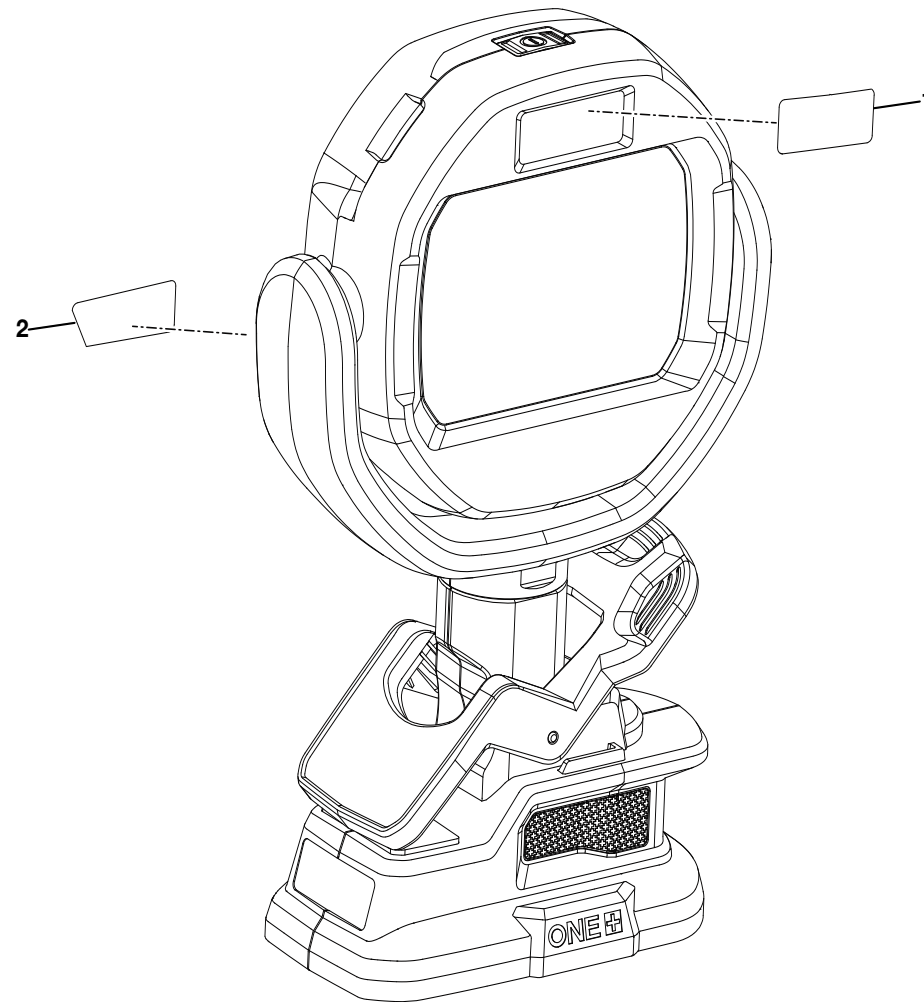


**ONE WORLD TECHNOLOGIES, INC.**

P.O. Box 1288, Anderson, SC 29622 ■ 1-800-525-2579 ■ [www.ryobitools.com](http://www.ryobitools.com)

4-28-23 (Rev:01)

The model number and manufacturing location will be found on a label attached to the product. Always mention this information in all communications regarding this product and when ordering parts.



### PARTS LIST

KEY NO.	PART NO.	DESCRIPTION	QTY.
1	941114316	Logo Label	1
2	01917000102K	Icon Label	1
	<b>Not Shown:</b>		
	998000917	Operator's Manual	