



OPERATOR'S MANUAL LED LIGHT / PCL660

IMPORTANT SAFETY INSTRUCTIONS

THIS INSTRUCTION BOOKLET CONTAINS **IMPORTANT SAFETY INFORMATION**. PLEASE READ AND KEEP FOR FUTURE REFERENCE.

⚠️ WARNING!

READ AND UNDERSTAND ALL INSTRUCTIONS. Failure to follow all instructions listed below, may result in electric shock, fire and/or serious personal injury.

⚠️ WARNING!

When using electric appliances, basic precautions should always be followed, including the following:

- **Read all the instructions before using the appliance.**
- **To reduce the risk of injury, close supervision is necessary when an appliance is used near children.**
- **To reduce the risk of electrical shock, do not put LED light or charger in water or other liquid.** Do not place or store appliance where it can fall or be pulled into a tub or sink.
- **Do not permit children to use light.** It is not a toy. The temperature of the LED will become hot after being on for only a short period of time. This hot temperature can cause burn injury if touched and can create sufficient heat to melt some fabrics.
- **If wrapped or in contact with fabrics, the light lens can produce sufficient heat to melt some fabrics.** To avoid serious personal injury, never allow the light lens to come in contact with anything.
- **Do not use or permit use of LED light in bed or sleeping bags.** This LED light lens can melt fabric and a burn injury could result.
- **Use only the charger supplied by the manufacturer to recharge.**
- **Use this product only with batteries and chargers listed in tool/appliance/battery pack/charger correlation supplement 987000-432.**
- **Use only recommended battery pack.** Any attempt to use another battery pack will cause damage to your LED light and could possibly explode, cause a fire, or personal injury.
- **Remove battery pack from LED light before performing any routine maintenance or cleaning.**
- **Do not disassemble the LED light.**
- **Do not place LED light or battery pack near fire or heat.** They may explode. Also, do not dispose of a worn out battery pack by incinerating. Do not incinerate the battery, even if it is severely damaged or completely worn out. The battery may explode in fire.
- **Do not operate LED light or charger near flammable liquids or in gaseous or explosive atmospheres.** Internal sparks may ignite fumes.

- **Keep light dry, clean, and free from oil and grease.** Always use a clean cloth when cleaning. Never use brake fluids, gasoline, petroleum-based products, or any strong solvent to clean the LED light.
- **Don't expose LED light to rain.** Water entering a power tool will increase the risk of electric shock or malfunction.
- **Do not overreach. Keep proper footing and balance at all times.** Proper footing and balance enable better control of the LED light in unexpected situations. Do not use on a ladder or unstable support.

LED LIGHT USE AND CARE

- **This product is for household use only.**
- **Store LED light out of the reach of children and other untrained persons.** Flashlights are dangerous in the hands of untrained users.

SAFETY RULES FOR LED LIGHT

- **Always remove battery pack before storing the device.**
- **Under extreme usage or temperature conditions, battery leakage may occur.** If liquid comes in contact with your skin, wash immediately with soap and water. If liquid gets in your eyes, flush them with clean water for at least 10 minutes, then seek immediate medical attention.
- **Batteries can explode in the presence of a source of ignition, such as a pilot light.** To reduce the risk of serious personal injury, never use any cordless product in the presence of open flame. An exploded battery can propel debris and chemicals. If exposed, flush with water immediately.
- **Do not crush, drop or damage battery pack. Do not use a battery pack or charger that has been dropped or received a sharp blow.** A damaged battery is subject to explosion. Properly dispose of a dropped or damaged battery immediately. Failure to heed this warning can result in serious personal injury.
- **Save these instructions.** Refer to them frequently and use them to instruct others who may use this tool. If you loan someone this tool, loan them these instructions also.

SAVE THESE INSTRUCTIONS

SYMBOLS

The following signal words and meanings are intended to explain the levels of risk associated with this product.

SYMBOL	SIGNAL	MEANING
	DANGER:	Indicates a hazardous situation, which, if not avoided, will result in death or serious injury.
	WARNING:	Indicates a hazardous situation, which, if not avoided, could result in death or serious injury.
	CAUTION:	Indicates a hazardous situation, that, if not avoided, may result in minor or moderate injury.
	NOTICE:	(Without Safety Alert Symbol) Indicates information considered important, but not related to a potential injury (e.g. messages relating to property damage).

Some of the following symbols may be used on this product. Please study them and learn their meaning. Proper interpretation of these symbols will allow you to operate the tool better and safer.

SYMBOL	NAME	DESIGNATION/ EXPLANATION
	Safety Alert	Indicates a potential personal injury hazard.
	Read Operator's Manual	To reduce the risk of injury, user must read and understand operator's manual before using this product.
	Wet Conditions Alert	Do not expose battery or internal light components to rain or water.
	Extremely Bright Light	This product uses extremely bright LEDs. To avoid serious eye injury, do not shine into eyes or face.
	Recycle Symbol	This product uses lithium-ion (Li-ion) batteries. Local, state or federal laws may prohibit disposal of batteries in ordinary trash. Consult your local waste authority for information regarding available recycling and/or disposal options.
V	Volts	Voltage
min	Minutes	Time
—	Direct Current	Type or a characteristic of current

FEATURES

PRODUCT SPECIFICATIONS

Light Output280 Lumens

OPERATION

See Figures 1 - 4.

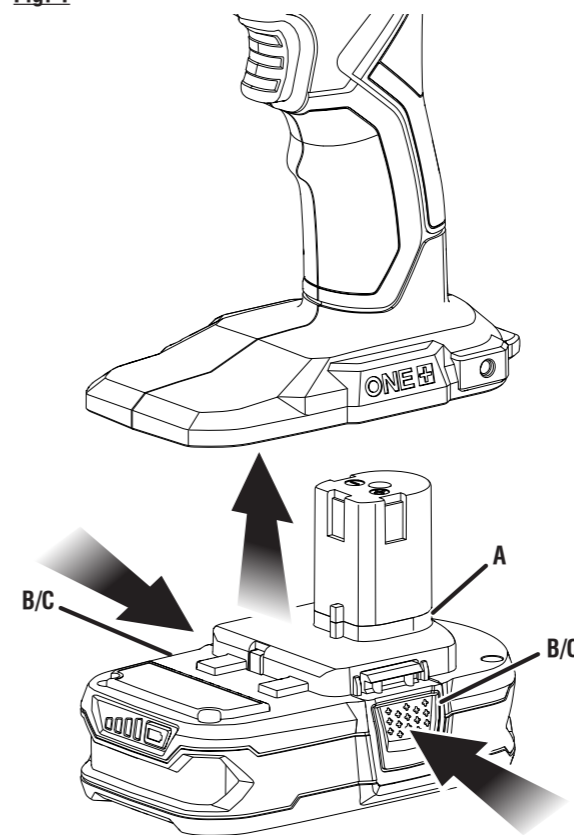
⚠️ WARNING:

If any parts are damaged or missing do not operate this product until the parts are replaced. Use of this product with damaged or missing parts could result in serious personal injury.

⚠️ WARNING:

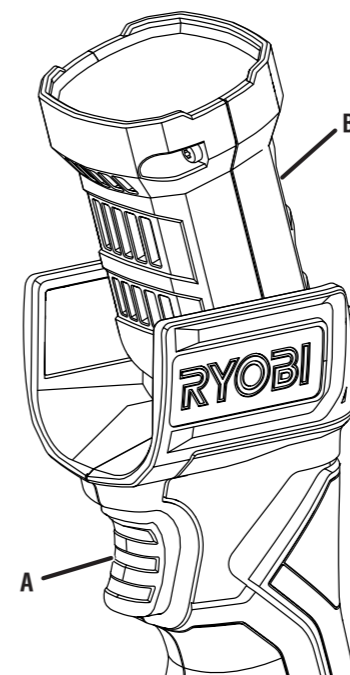
Do not direct the light beam at persons or animals and do not stare into the light beam yourself (not even from a distance). Staring into the light beam may result in serious injury or vision loss.

Fig. 1



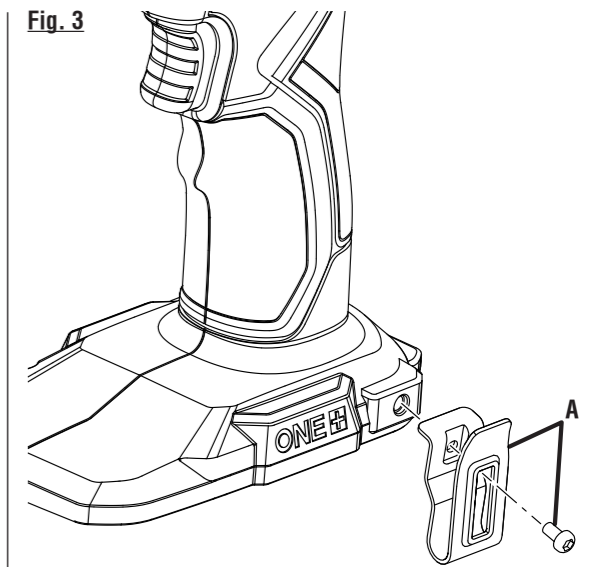
- A - Battery pack (bloc-piles, paquete de baterías)
- B - Make sure the latches on the battery pack snaps into place and the battery pack is secured in the product before beginning operation (s'assurer que les loquets de chaque côté du bloc-piles s'enclenchent correctement et que le bloc-piles est sécurisé au produit avant de mettre sous tension, asegúrese de que los pestillos del paquete de baterías entre a presión en su lugar, y de que el paquete quede bien asegurado en el taladro antes de empezar a utilizar éste)
- C - Depress the latches and pull to release and remove the battery pack (appuyer sur les loquets pour libérer et retirer le bloc-piles, presione los pestillos para desencadenamiento et quitar el paquete de baterías)

Fig. 2



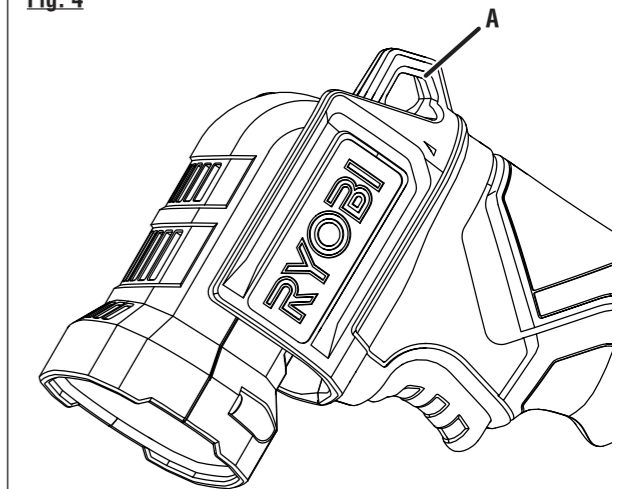
- A - Squeeze and release the switch trigger to turn the light on and off (enfoncez et relâchez l'interrupteur à gâchette pour allumer et éteindre la lampe ; apriete y libere el gatillo del interruptor para encender y apagar la luz)
- B - Rotating head (tête rotative, cabeza giratoria)

Fig. 3



A - Belt clip with screw (not included - item number A10BC01) [crochet de ceinture avec vis (non inclus - article no. A10BC01), gancho para cinturón con tornillo (no incluida - número de artículo A10BC01)]

Fig. 4



A - Hanging loop (anneau de suspension, gancho para colgar)

Français

MANUEL D'UTILISATION LAMPE À DÉL / PCL660

INSTRUCTIONS IMPORTANTES CONCERNANT LA SÉCURITÉ

CE LIVRET D'INSTRUCTIONS CONTIENT DES CONSIGNES DE SÉCURITÉ **IMPORTANTES**. VEUILLEZ LE LIRE ET LE CONSERVER POUR TOUTE RÉFÉRENCE FUTURE.

⚠️ AVERTISSEMENT !

LIRE ET VEILLER À BIEN COMPRENDRE TOUTES LES INSTRUCTIONS. Le non-respect de toutes les instructions ci-dessous peut entraîner un choc électrique, un incendie et/ou des blessures graves.

⚠️ AVERTISSEMENT !

Au moment d'utiliser les appareils électriques, les précautions de base doivent être prises, y compris ce qui suit :

- **Lire toutes les instructions avant d'utiliser l'appareil.**
- **Pour réduire le risque de blessures, une bonne surveillance est nécessaire quand un appareil est utilisé à proximité des enfants.**
- **Pour réduire le risque d'un choc électrique, ne pas mettre la lampe ou le chargeur dans l'eau ou autre liquide.** Ne pas placer ou entreposer l'appareil dans un endroit où il peut tomber ou être entraîné dans une baignoire ou un évier.

