

REPAIR SHEET

BRAND

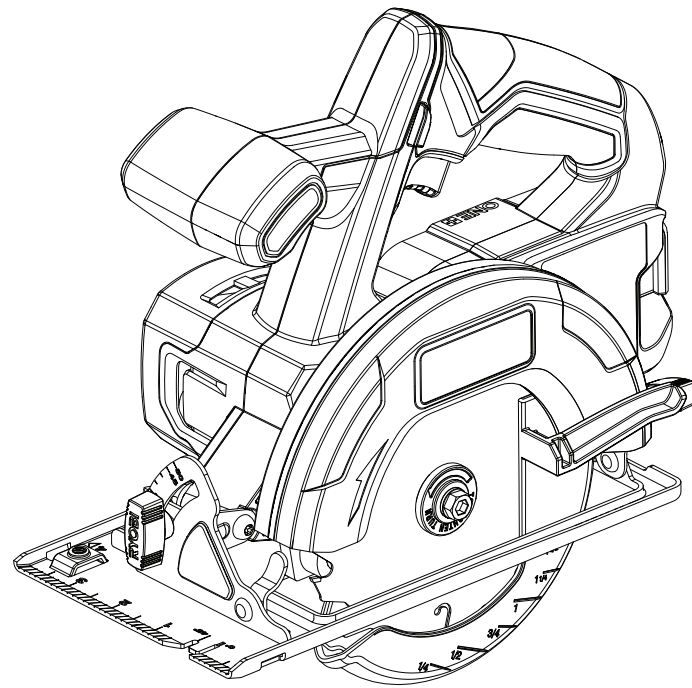
RYOBI

DESCRIPTION

18 Volt 5-1/2 in. Circular Saw

MODEL NO.

PCL500



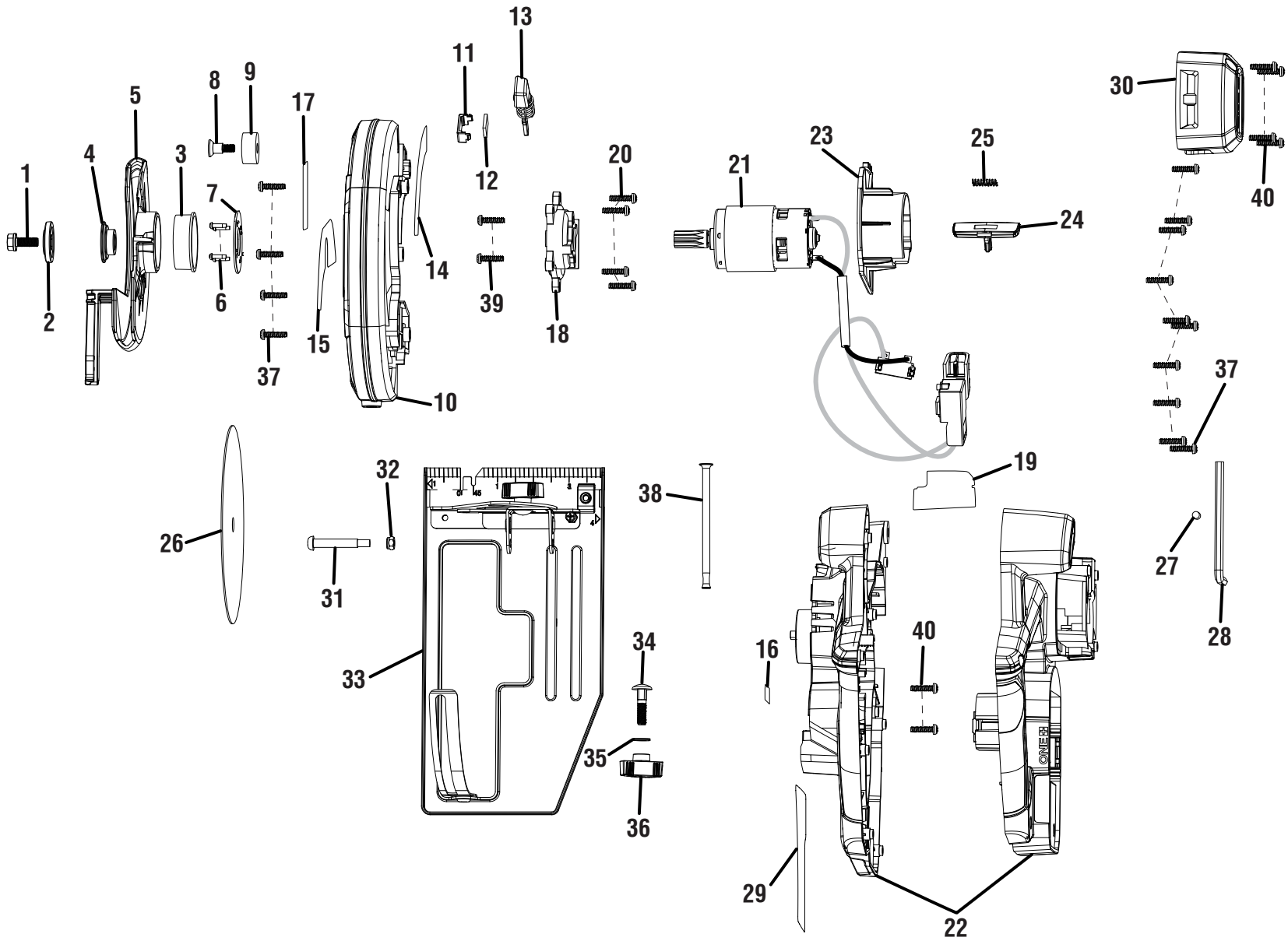
TTI CONSUMER POWER TOOLS, INC.

P.O. Box 1288, Anderson, SC 29622 ■ 1-800-525-2579 ■ www.ryobitools.com

2-7-22 (Rev:01)

The model number and manufacturing location will be found on a label attached to the product. Always mention this information in all communications regarding this product and when ordering parts.

RYOBI PCL500





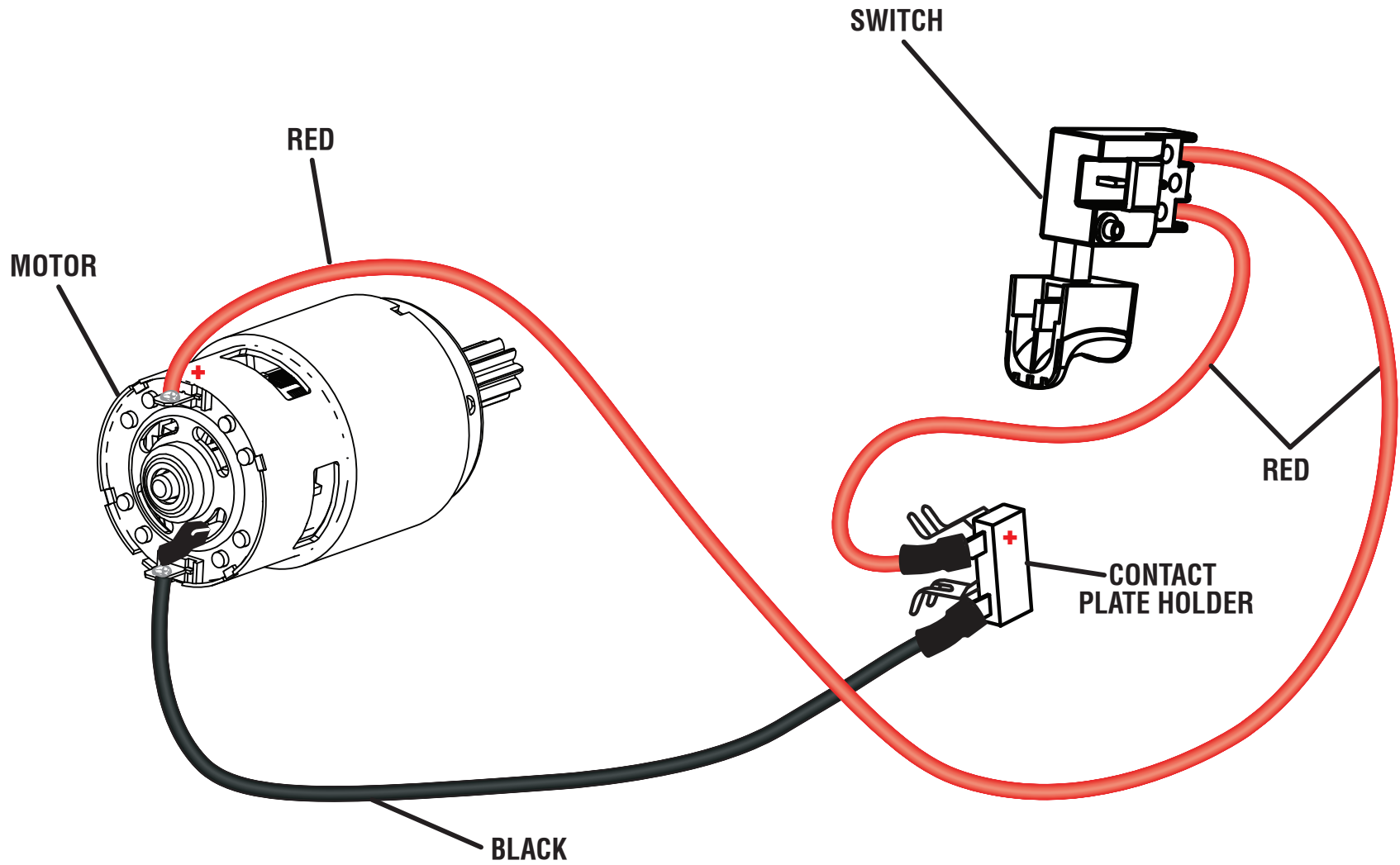
PCL500

PARTS LIST

KEY NO.	PART NO.	DESCRIPTION	QTY.
1	660144005	Screw (M6 x 16 mm, LH)	1
2	610121001	Outer Blade Clamp	1
3	543196001	Lower Guard Sleeve	1
4	610276003	Inner Flange	1
5	543071002	Lower Guard	1
6	660201004	Screw	4
7	680503003	Cover Plate (OD44 x ID20 x 0.2t)	1
8	660193006	Screw (M5 x 18 mm)	1
9	560990003	Rubber Stopper	1
10	204216002	Upper Guard (Inc. Key Nos. 14, 15, & 17)	1
11	523287001	Shaft Lock Holder	1
12	900303009	Sealing Pad	1
13	204216003	Shaft Lock Assembly	1
14	941120856	Danger Label	1
15	941120857	Behind Blade Warning Label	1
16	941120854	Icon Label	1
17	941114321	Logo Label	1
18	204216004	Gear Box Cover Assembly	1
19-CN	941123744	Data Label	1
19-VN	941123764	Data Label	1
20	660024051	Screw (M4 x 18 mm)	4
21	206216003	Motor, Pinion, and Switch Assembly	1

KEY NO.	PART NO.	DESCRIPTION	QTY.
22-CN	204216005	Housing Assembly (Inc. Key Nos. 16, 19, & 29)	1
22-VN	204216007	Housing Assembly (Inc. Key Nos. 16, 19, & 29)	1
23	543195001	Motor Baffle	1
24	543069001	Safety Button	1
25	672552001	Spring for Safety Button	1
26	670973055	5-1/2 in. Blade	1
27	560219006	Contact Plate Stopper	1
28	680002001	Wrench (5 mm)	1
29	941120853	Clamp Warning/Battery Warnings	1
30	543068001	End Cap	1
31	660145008	Screw (M5 x 40 mm, T25 Torx Hd.)	1
32	670974003	Nut (M5)	1
33	317508001	Base Assembly	1
34	661067002	Screw (M6 x 22 mm)	1
35	691992001	Washer	1
36	301124034	Depth Adjusting Knob Bolt	1
37	660024018	Screw (M4 x 16 mm)	14
38	692687001	Extension Spring	1
39	662796001	Screw with Washer (M4 x 16 mm, T20 Torx Hd.)	2
40	660031017	Screw (M3.5 x 16 mm, Torx Pan Hd.)	6
	Not Shown:		
	998000539	Operator's Manual (961153529)	

If a key number has multiple part numbers, please order the part that corresponds with the country of origin shown on the product's data label. CN = China VN = Vietnam



WIRING DIAGRAM