

REPAIR SHEET

BRAND

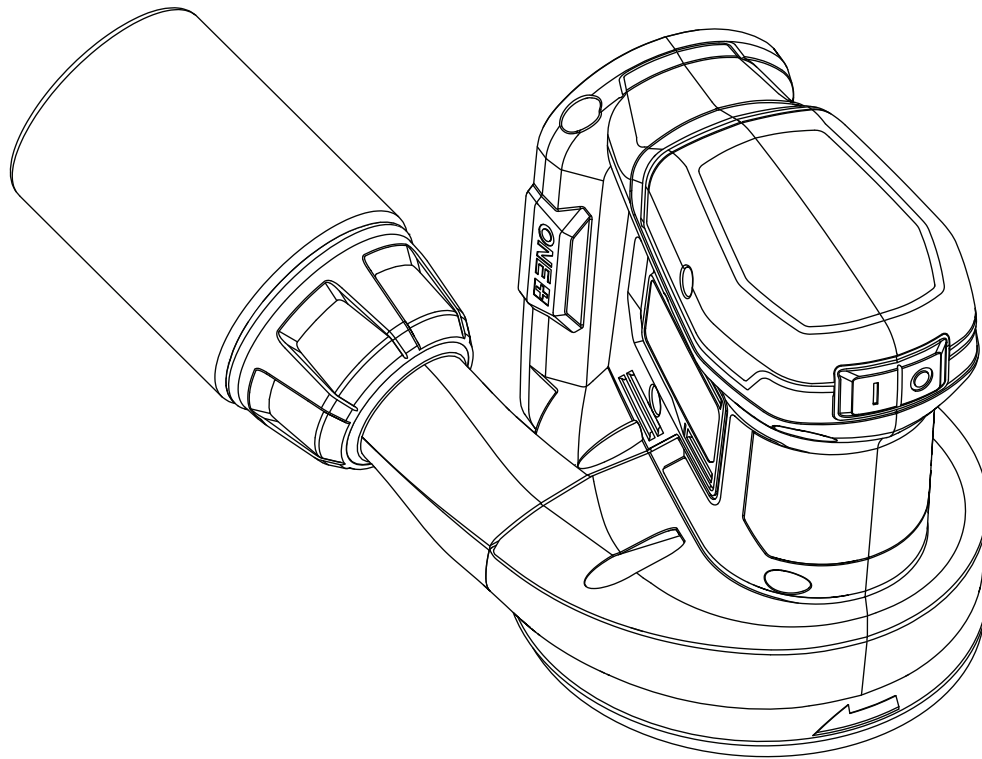
RYOBI

DESCRIPTION

18 Volt Random Orbit Sander

MODEL NO.

PCL406

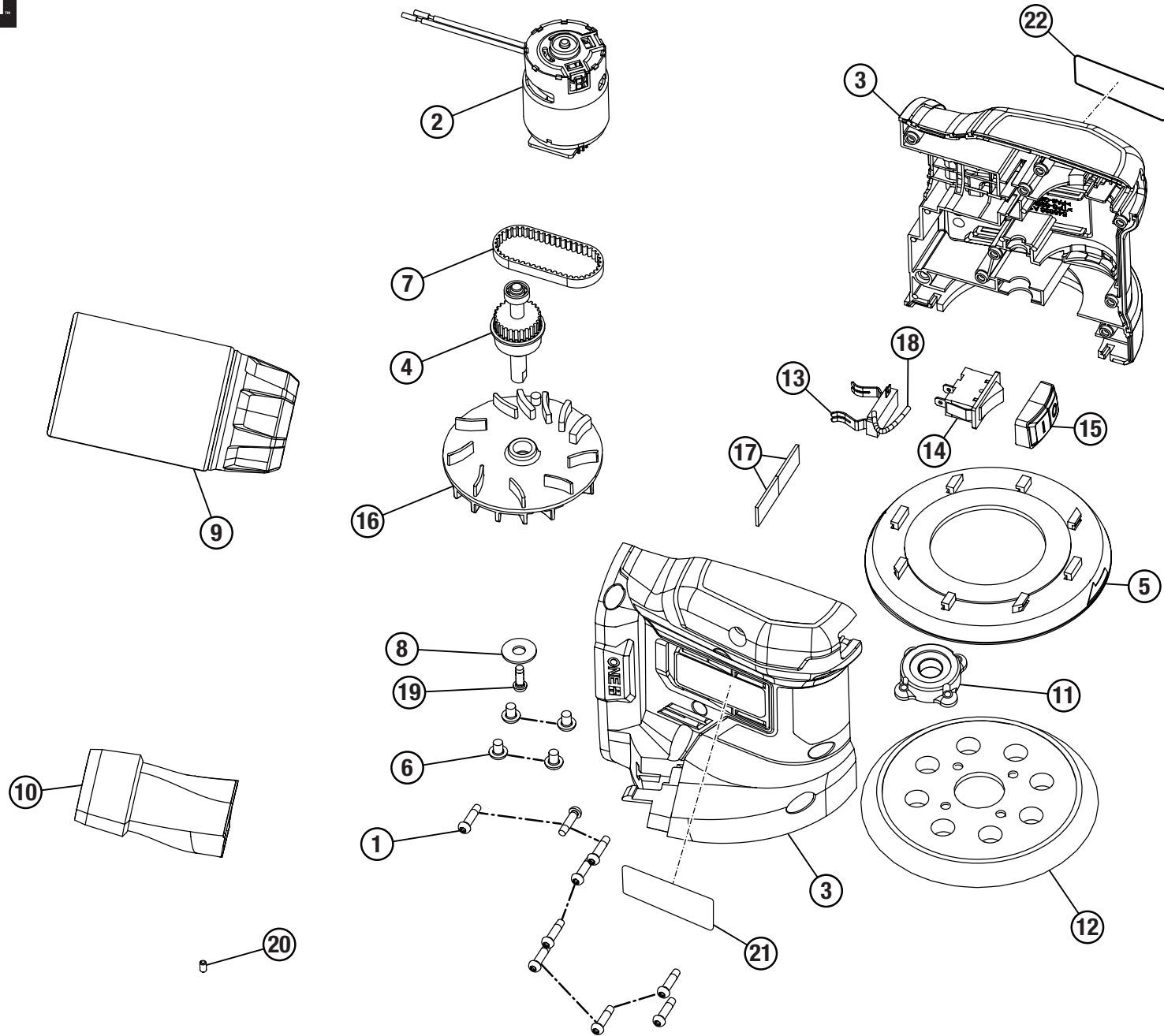


TTI CONSUMER POWER TOOLS, INC.

P.O. Box 1288, Anderson, SC 29622 ■ 1-800-525-2579 ■ www.ryobitools.com

5-03-24 (Rev:03)

The model number and manufacturing location will be found on a label attached to the product. Always mention this information in all communications regarding this product and when ordering parts.





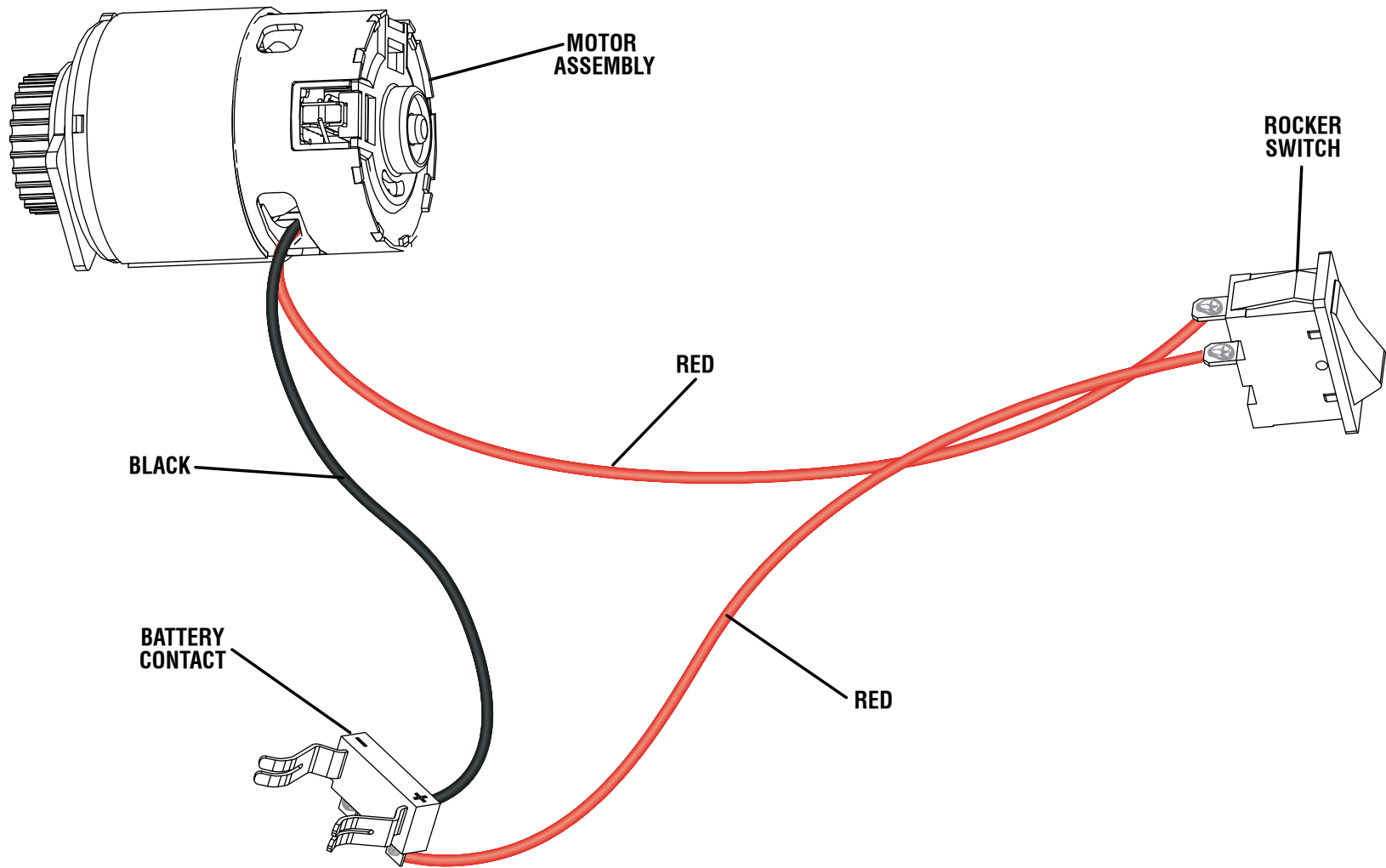
PCL406

PARTS LIST

KEY NO.	PART NO.	DESCRIPTION	QTY.
1	660024022	Screw (M4 x 16 mm, T15 Torx Hd.)	9
2	CN- 206228002	Motor Assembly	1
	VN- 206228005	Motor Assembly	1
3	204228002	Housing Assembly (Inc. Key Nos. 21-22)	1
4	CN- 206228003	Output Shaft Assembly	1
	VN- 206228006	Output Shaft Assembly	1
5	590936011	Rubber Brake	1
6	660011004	Screw (#10-32 x 1/4 In., T-25 Torx Hd.)	4
7	566056001	Timing Belt	1
8	671039001	Flat Washer (OD17 x ID4.5 x 1.2t)	1
9	204228003	Dust Bag Assembly	1
10	543537001	Dust Chute	1
11	204228004	Bearing and Cap Assembly	1
12	300527008	5 in. Disc Assy	1

KEY NO.	PART NO.	DESCRIPTION	QTY.
13	300001067	Contact Plate Holder	1
14	760271029	Rocker Switch	1
15	566132001	Switch Membrane	1
16	644430001	Counterbalance	1
17	566194001	Rubber Foam	2
18	770312129	Red Wire (90 mm)	1
19	660165011	Screw (M4 x 12 mm, T-20 Torx Hd.)	1
20	674265001	Spring Pin	1
21	CN- 941123857	Data Label	1
	VN- 941123920	Data Label	1
22	941114320	Logo Label	1
	Not Shown:		
	988000620	Operator's Manual	

If a key number has multiple part numbers, please order the part that corresponds with the date code shown on the product's data label. CN = China VN = Vietnam



WIRING DIAGRAM