

REPAIR SHEET

BRAND

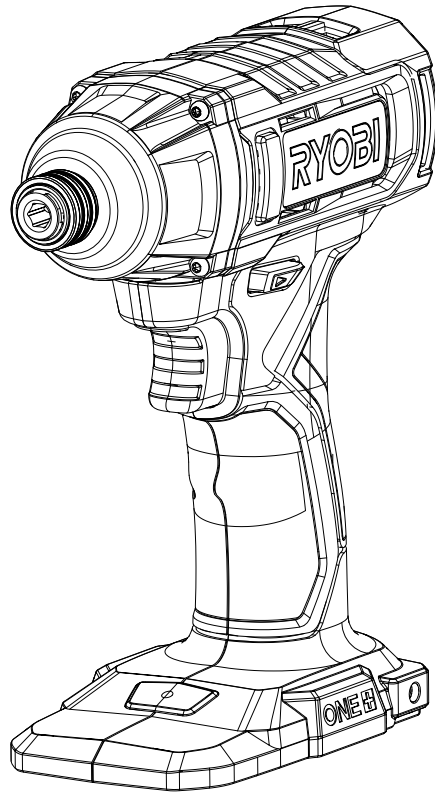
RYOBI

DESCRIPTION

18 Volt Impact Driver

MODEL NO.

PCL235

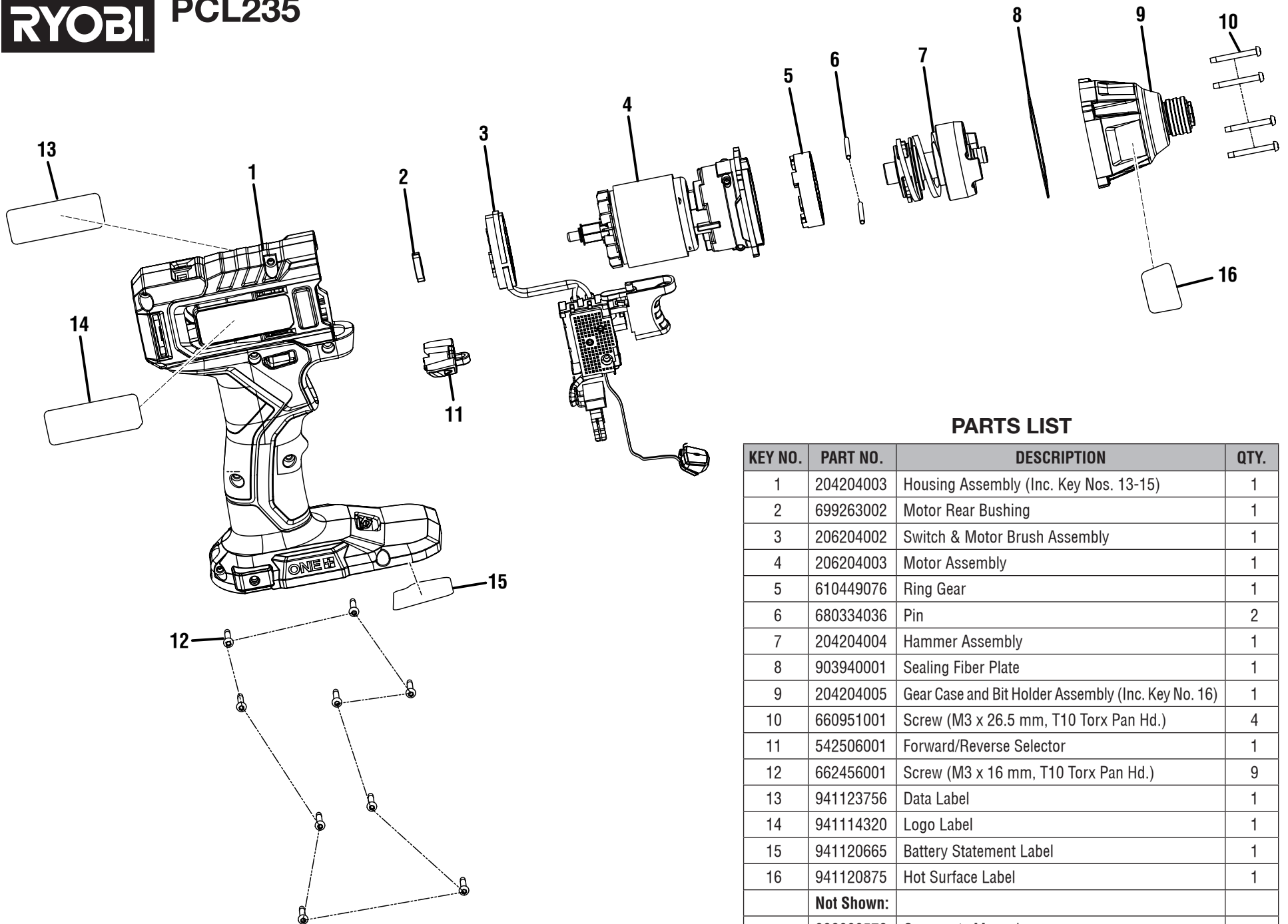


TTI CONSUMER POWER TOOLS, INC.

P.O. Box 1288, Anderson, SC 29622 ■ 1-800-525-2579 ■ www.ryobitools.com

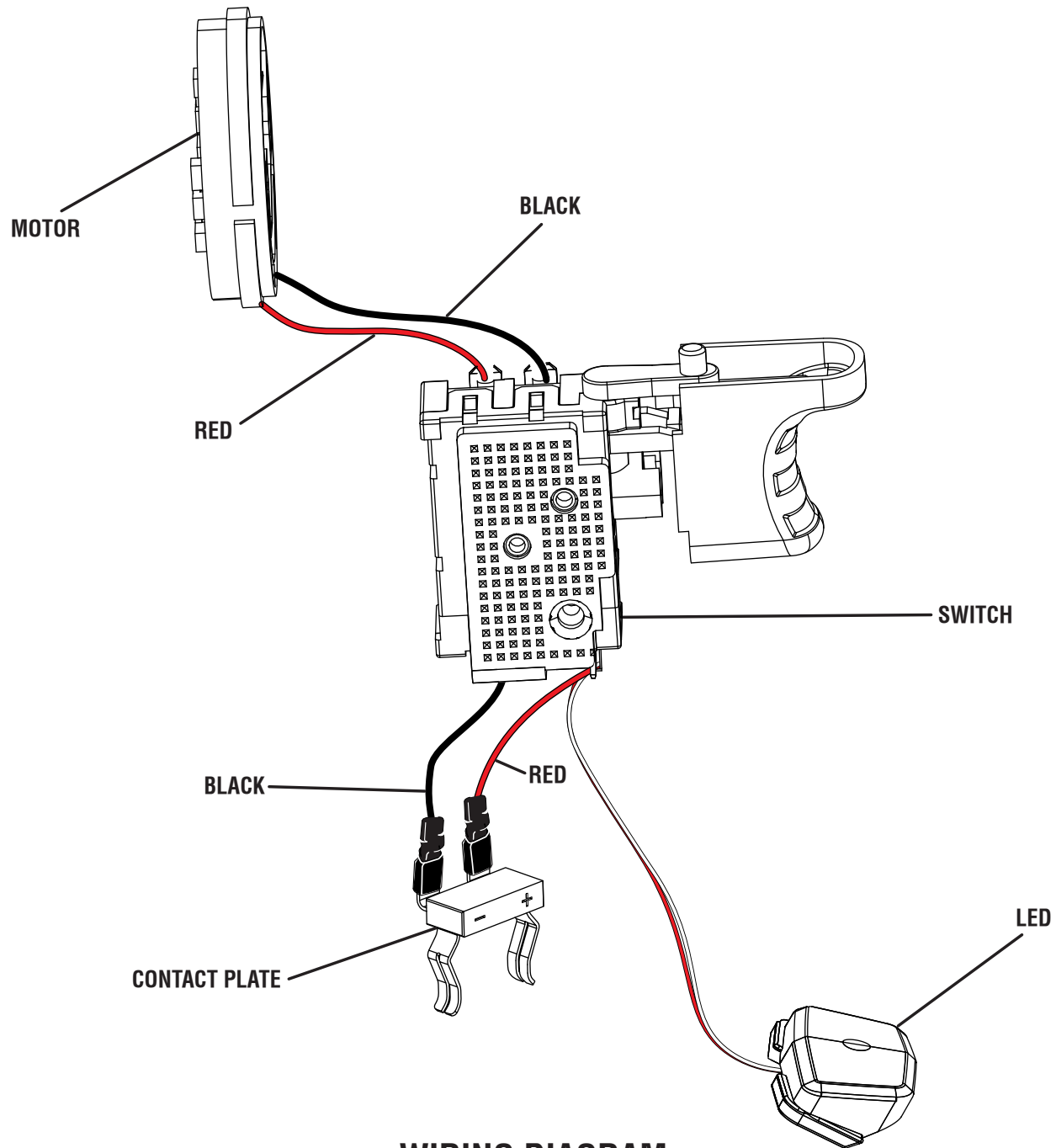
6-22-22 (Rev:02)

The model number and manufacturing location will be found on a label attached to the product. Always mention this information in all communications regarding this product and when ordering parts.



PARTS LIST

KEY NO.	PART NO.	DESCRIPTION	QTY.
1	204204003	Housing Assembly (Inc. Key Nos. 13-15)	1
2	699263002	Motor Rear Bushing	1
3	206204002	Switch & Motor Brush Assembly	1
4	206204003	Motor Assembly	1
5	610449076	Ring Gear	1
6	680334036	Pin	2
7	204204004	Hammer Assembly	1
8	903940001	Sealing Fiber Plate	1
9	204204005	Gear Case and Bit Holder Assembly (Inc. Key No. 16)	1
10	660951001	Screw (M3 x 26.5 mm, T10 Torx Pan Hd.)	4
11	542506001	Forward/Reverse Selector	1
12	662456001	Screw (M3 x 16 mm, T10 Torx Pan Hd.)	9
13	941123756	Data Label	1
14	941114320	Logo Label	1
15	941120665	Battery Statement Label	1
16	941120875	Hot Surface Label	1
	Not Shown:		
	998000578	Operator's Manual	



WIRING DIAGRAM