

# REPAIR SHEET

BRAND

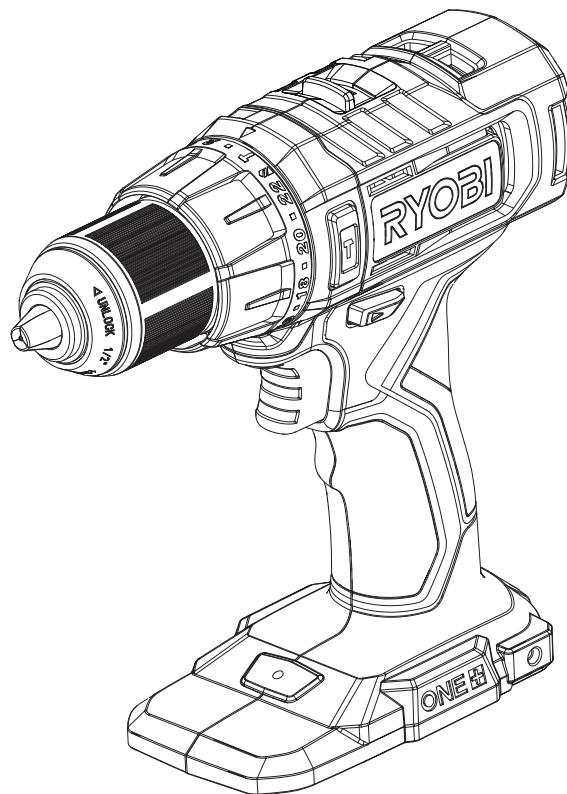
**RYOBI**

DESCRIPTION

**18 Volt 1/2 in. Hammer Drill**

MODEL NO.

**PCL220**

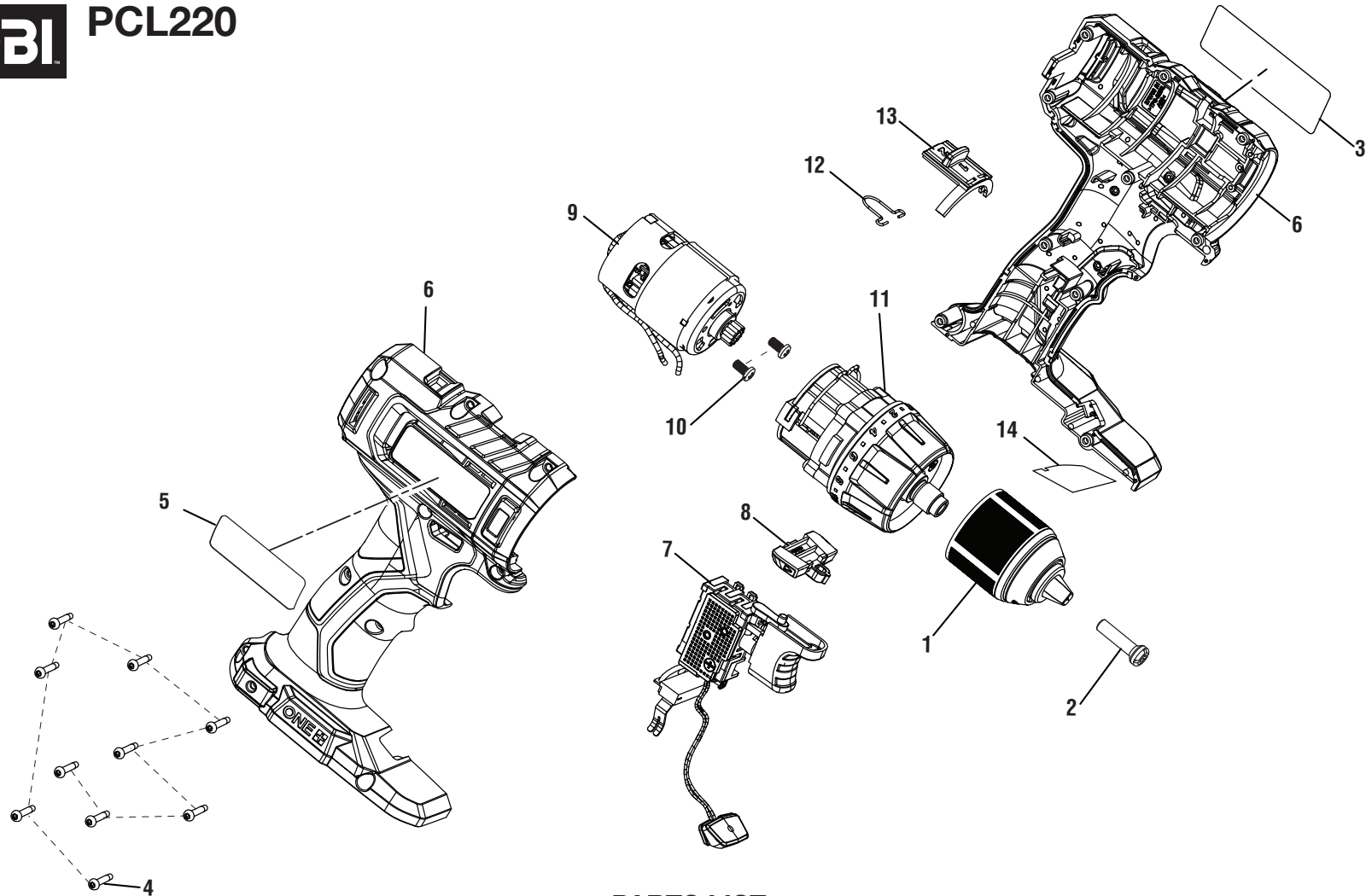


**TTI CONSUMER POWER TOOLS, INC.**

P.O. Box 1288, Anderson, SC 29622 ■ 1-800-525-2579 ■ [www.ryobitools.com](http://www.ryobitools.com)

8-31-22 (Rev:02)

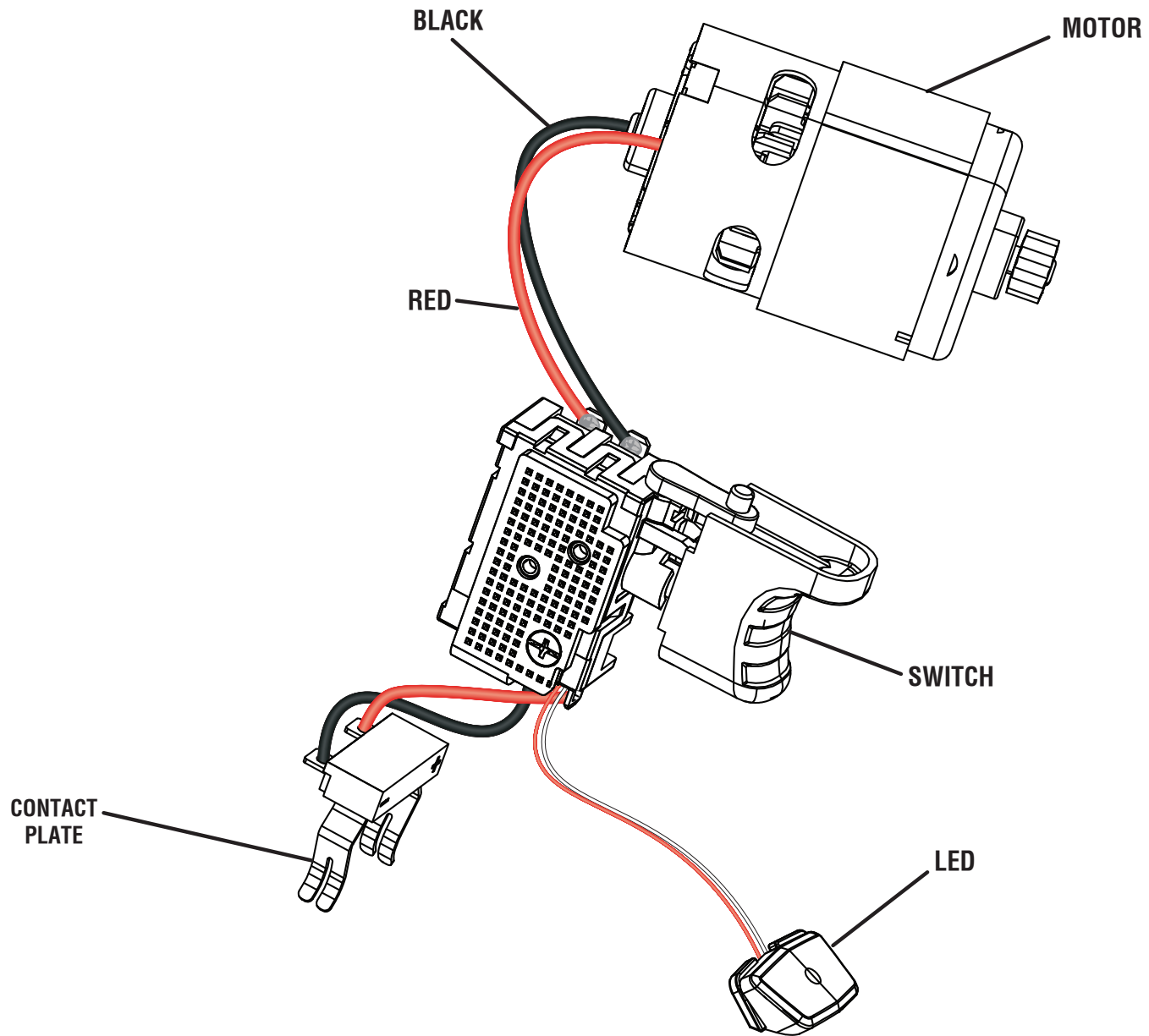
*The model number and manufacturing location will be found on a label attached to the product. Always mention this information in all communications regarding this product and when ordering parts.*



### PARTS LIST

KEY NO.	PART NO.	DESCRIPTION	QTY.
1	670794027	Chuck	1
2	660134002	Chuck Screw (M6 x 27 mm, Special LHT)	1
3	941114320	Logo Label	1
4	662456001	Screw (M3 x 27 mm, T10 Torx Pan Hd.)	10
5	941123595	Data Label	1
6	204197002	Housing Assembly (Inc. Key Nos. 3, 5, & 14)	1
7	270016262	Switch Assembly	1
8	542708001	Direction of Rotation Selector (Forward/Reverse)	1

KEY NO.	PART NO.	DESCRIPTION	QTY.
9	206197005	Motor Assembly	1
10	T662103001	Screw w/Washer (M4 x 8 mm, Pan Hd.)	2
11	206197006	Gear Box Assembly	1
12	693436001	Spring (Two Speed Gear Train Knob)	1
13	542709001	Two Speed Gear Train Selector (High/Low)	1
14	941120665	Battery Statement Label	1
	<b>Not Shown:</b>		
	998000535	Operator's Manual	



**WIRING DIAGRAM**