

REPAIR SHEET

BRAND

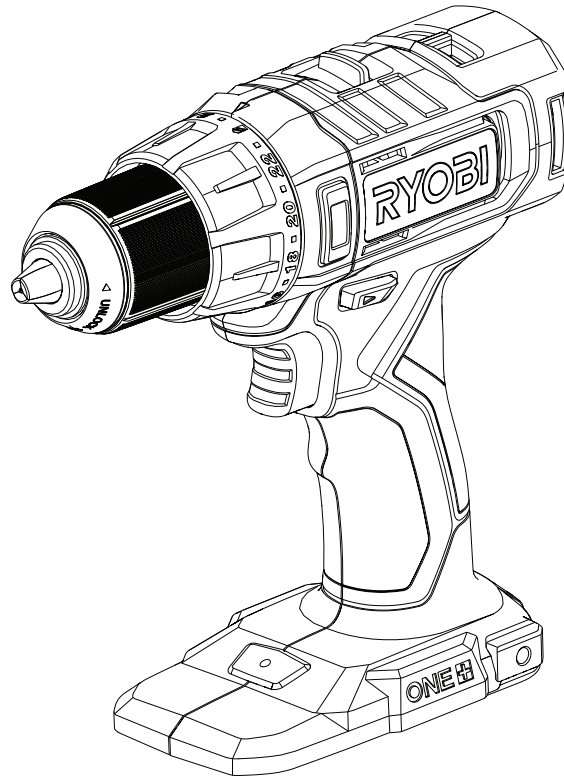
RYOBI

DESCRIPTION

18 Volt 1/2 in. 2-Speed Drill-Driver

MODEL NO.

PCL206

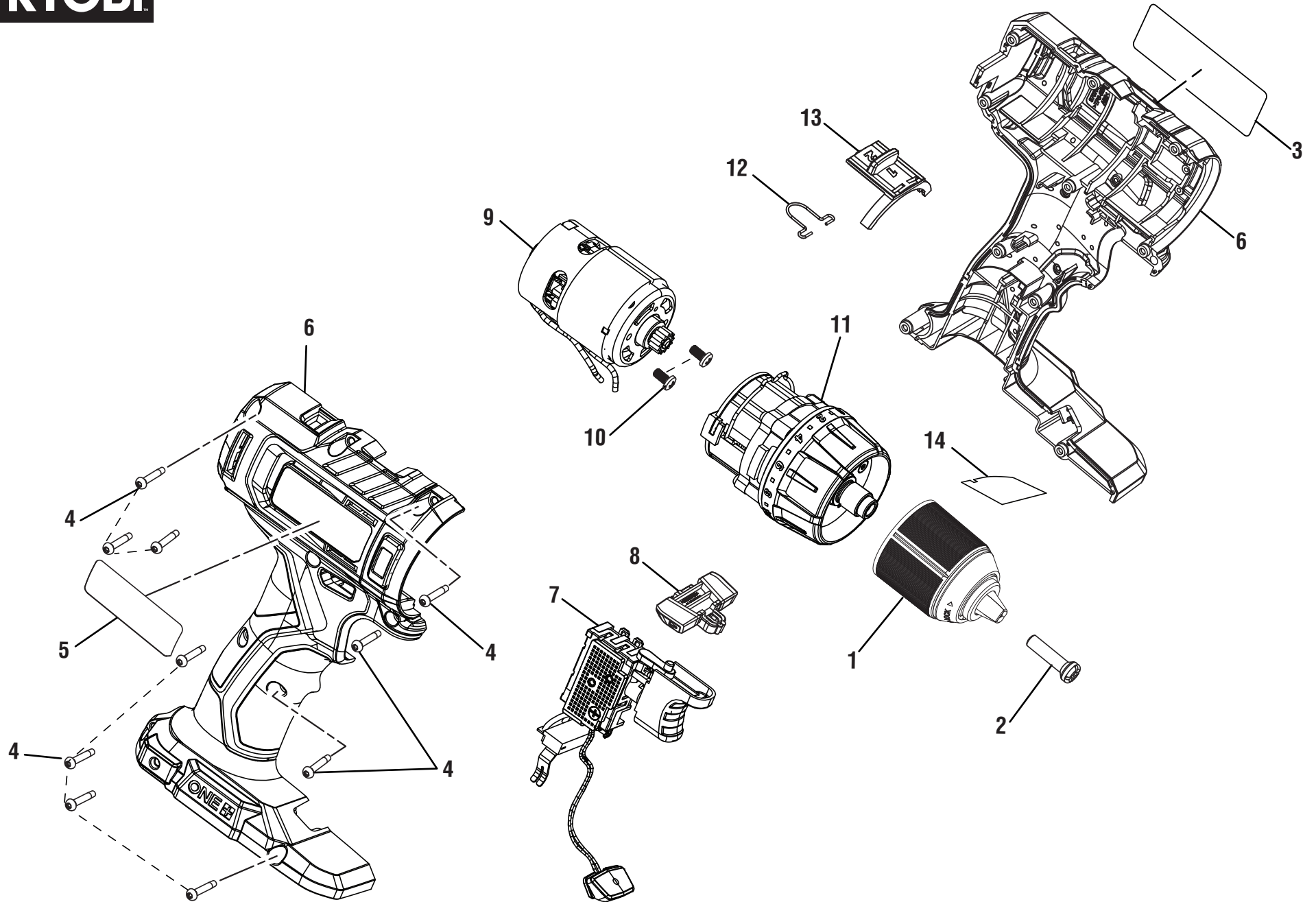


ONE WORLD TECHNOLOGIES, INC.

P.O. Box 1288, Anderson, SC 29622 ■ 1-800-525-2579 ■ www.ryobitools.com

10-1-21 (Rev:02)

The model number and manufacturing location will be found on a label attached to the product. Always mention this information in all communications regarding this product and when ordering parts.





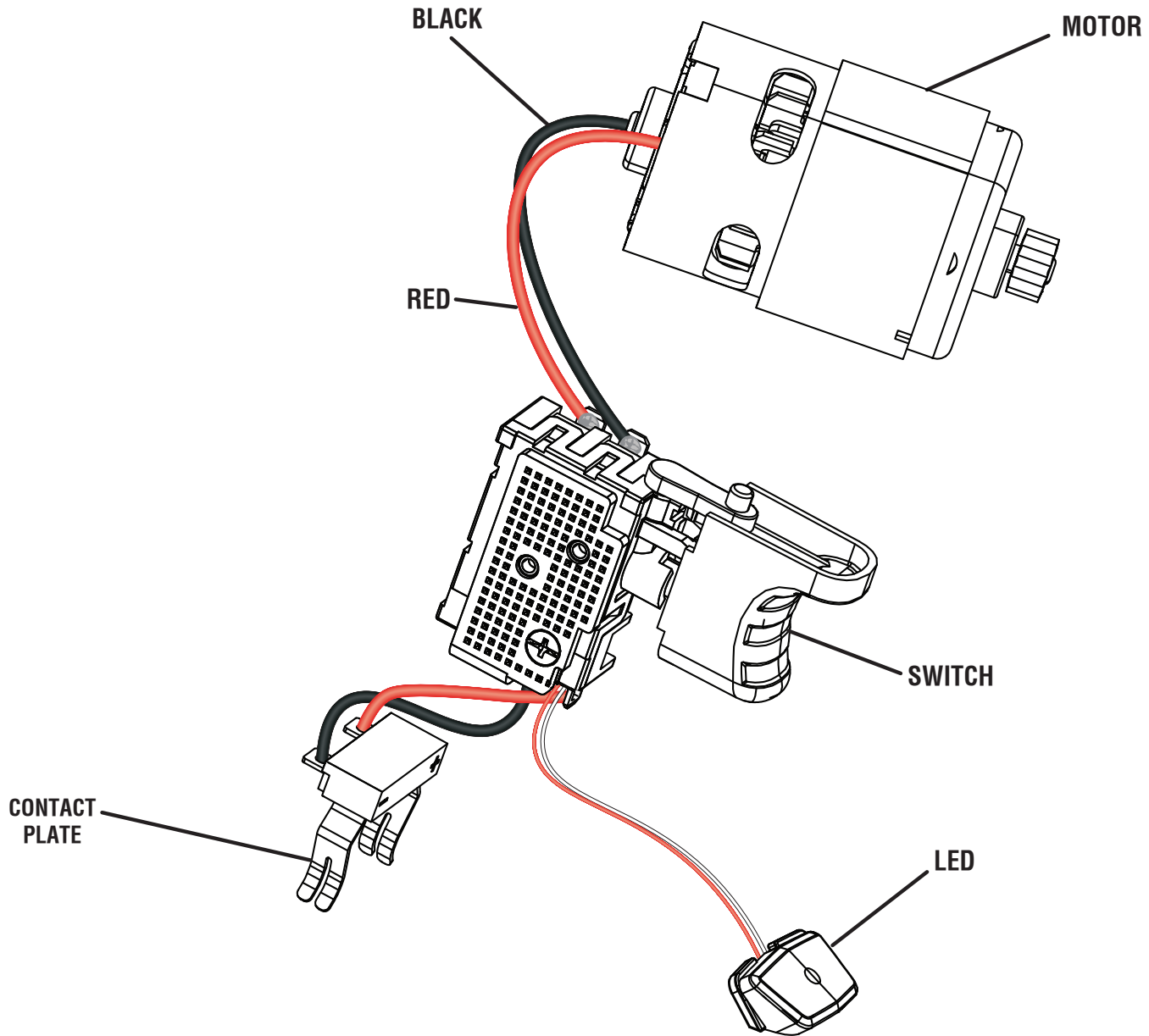
PCL206

PARTS LIST

KEY NO.	PART NO.	DESCRIPTION	QTY.
1	670794023	Chuck	1
2	660134002	Chuck Screw (M6 x 27 mm, Special LHT)	1
3	941114320	Logo Label	1
4	662456001	Screw (M3 x 27 mm, T10 Torx Pan Hd.)	10
5-CN	941123596	Data Label	1
5-VN	941123758	Data Label	1
6-CN	204196002	Housing Assembly (Inc. Key Nos. 3, 5, & 14)	1
6-VN	204196003	Housing Assembly (Inc. Key Nos. 3, 5, & 14)	1
7	270016237	Switch Assembly	1
8	542708001	Direction of Rotation Selector (Forward/Reverse)	1

KEY NO.	PART NO.	DESCRIPTION	QTY.
9-CN	206196003	Motor Assembly	1
9-VN	206196005	Motor Assembly	1
10	T662103001	Screw w/Washer (M4 x 8 mm, Pan Hd.)	2
11	206196002 or 206196004	Clutch and Gear Box Assembly	1
12	693436001	Spring (Two Speed Gear Train Knob)	1
13	542709001	Two Speed Gear Train Selector (High/Low)	1
14	941120665	Battery Statement Label	1
	Not Shown:		
	998000560	Operator's Manual	

If a key number has multiple part numbers, please order the part that corresponds with the country of origin shown on the product's data label. CN = China VN = Vietnam



WIRING DIAGRAM