



REGISTER YOUR TOOLS
<http://register.ryobitools.com>
 1-800-525-2579

**EN MEXICO:
 PARA MÁS INFORMACIÓN
 WWW.RYOBITOLS.MX
 CENTROS DE SERVICIO
 800-843-1111**



OPERATOR'S MANUAL

MANUEL D'UTILISATION MANUAL DEL OPERADOR

18V 6-PORT CHARGER CHARGEUR À 6 PORTS DE 18V CARGADOR DE 6 PUERTOS DE 18V PCG006

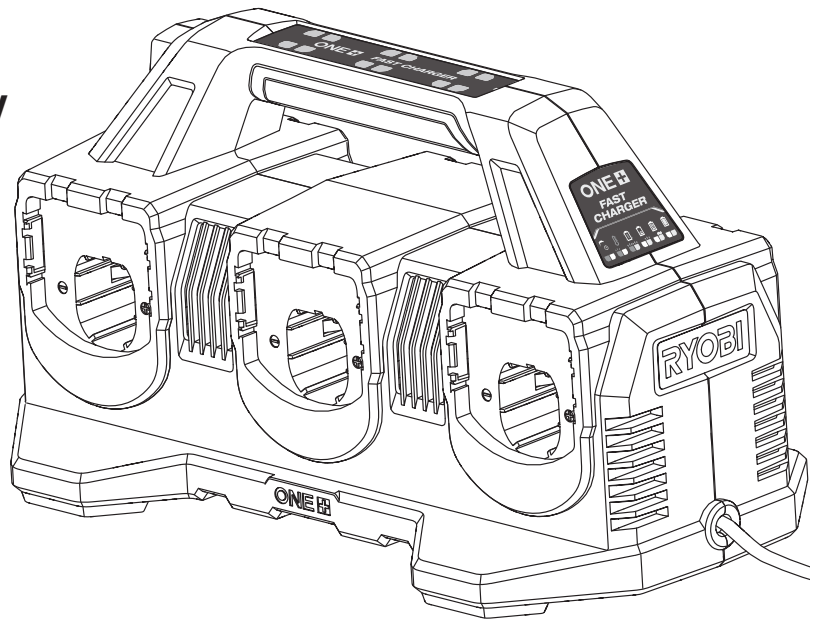


TABLE OF CONTENTS

Safety Rules for Charger 2-3
 Symbols.....3
 Assembly 4
 Operation..... 4-5
 Maintenance.....6
 Illustrations 7
 Parts Ordering/ServiceBack page

TABLE DES MATIÈRES

Règles de sécurité pour
 le chargeur 2-3
 Symboles.....3
 Assemblage..... 4
 Utilisation..... 4-5
 Entretien6
 Illustrations 7
 Commande de pièces
 et réparation.....Page arrière

ÍNDICE DE CONTENIDO

Reglas de seguridad para el
 empleo del cargador.....2-3
 Símbolos..... 3
 Armado 4
 Funcionamiento4-5
 Mantenimiento..... 6
 Ilustraciones 7
 Pedidos de piezas
 y servicio.....Pág. posterior

⚠ WARNING: To reduce the risk of injury, the user must read and understand the operator's manual before using this product.

⚠ AVERTISSEMENT : Pour réduire les risques de blessures, l'utilisateur doit lire et veiller à bien comprendre le manuel d'utilisation avant d'employer ce produit.

⚠ ADVERTENCIA: Para reducir el riesgo de lesiones, el usuario debe leer y comprender el manual del operador antes de usar este producto.

**SAVE THIS MANUAL FOR
 FUTURE REFERENCE**

**CONSERVER CE MANUEL
 POUR FUTURE RÉFÉRENCE**

**GUARDE ESTE MANUAL
 PARA FUTURAS CONSULTAS**

SAFETY RULES FOR CHARGER

WARNING!

READ AND UNDERSTAND ALL INSTRUCTIONS. Failure to follow all instructions listed below, may result in electric shock, fire and/or serious personal injury.

- **Before using charger**, read all instructions and cautionary markings in this manual, on charger, battery, and product using battery to prevent misuse of the products and possible injury or damage.

WARNING:

Charge only RYOBI lithium-ion rechargeable battery packs. Other types of batteries may burst, causing personal injury or damage. For compatible battery packs see tool/appliance/battery pack/charger correlation supplement 987000-432.

- **Do not use charger outdoors or expose to wet or damp conditions.** Water entering charger will increase the risk of electric shock.

WARNING:

Do not charge a battery that is wet or has been wet or exposed to liquids.

- **Use of an attachment not recommended or sold by the battery charger manufacturer may result in a risk of fire, electric shock, or injury to persons.** Following this rule will reduce the risk of electric shock, fire, or serious personal injury.
- **Do not abuse cord or charger.** Never use the cord to carry the charger. Do not pull the charger cord rather than the plug when disconnecting from receptacle. Damage to the cord or charger could occur and create an electric shock hazard. If cord or charger is damaged, have the charger replaced by an authorized serviceman.
- **Make sure cord is located so that it will not be stepped on, tripped over, come in contact with sharp edges or moving parts or otherwise subjected to damage or stress.** This will reduce the risk of accidental falls, which could cause injury, and damage to the cord, which could result in electric shock.
- **Keep cord and charger from heat to prevent damage to housing or internal parts.**
- **Do not let gasoline, oils, petroleum-based products, etc. come in contact with plastic parts.** They contain chemicals that can damage, weaken, or destroy plastic.

- **Do not charge battery in a damp or wet location.** Do not use, store, or charge battery packs or products in locations where the temperature is less than 50°F or more than 100°F. Do not store outside or in vehicles.

- **Always wear eye protection with side shields marked to comply with ANSI Z87.1.** Failure to do so could result in objects being thrown into your eyes resulting in possible serious injury.

- **An extension cord should not be used unless absolutely necessary.** Use of improper extension cord could result in a risk of fire and electric shock. If extension cord must be used, make sure:

- a. That pins on plug of extension cord are the same number, size and shape as those of plug on charger.
- b. That extension cord is properly wired and in good electrical condition; and
- c. That wire size is large enough for AC ampere rating of charger as specified below:

Cord Length (Feet)	25'	50'	100'
Cord Size (AWG)	16	16	16

NOTE: AWG = American Wire Gauge

- **The charger should be mounted in the vertical position or resting on its base during use.**
- **Do not operate charger with a damaged cord or plug,** which could cause shorting and electric shock. If damaged, have the charger replaced by an authorized serviceman.
- **Do not operate charger if it has received a sharp blow, been dropped, or otherwise damaged in any way.** Take it to an authorized serviceman for electrical check to determine if the charger is in good working order.
- **Do not disassemble charger.** Take it to an authorized serviceman when service or repair is required. Incorrect reassembly may result in a risk of electric shock or fire.
- **Unplug charger from outlet before attempting any maintenance or cleaning to reduce the risk of electric shock.**
- **Disconnect charger from the power supply when not in use.** This will reduce the risk of electric shock or damage to the charger if metal items should fall into the opening. It also will help prevent damage to the charger during a power surge.
- **Risk of electric shock.** Do not touch uninsulated portion of output connector or uninsulated battery terminal.
- **Save these instructions.** Refer to them frequently and use them to instruct others who may use this tool. If you loan someone this tool, loan them these instructions also to prevent misuse of the product and possible injury.

SAFETY RULES FOR CHARGER

IMPORTANT SAFETY INSTRUCTIONS




1. SAVE THESE INSTRUCTIONS - DANGER: TO REDUCE RISK OF FIRE OR ELECTRIC SHOCK CAREFULLY FOLLOW THESE INSTRUCTIONS.

This manual contains important safety and operating instructions for battery charger PCG006.





2. **Before using battery charger**, read all instructions and cautionary markings on battery charger, battery, and product using battery.
3. **⚠ WARNING:** Risk of injury, electric shock, fire, and damage. Refer to the operator's manual for size, type, and number of batteries to be charged. Other batteries may burst. Do not interconnect output terminals.
4. **⚠ CAUTION:** To reduce the risk of injury, charge only lithium-ion rechargeable batteries. Other types of batteries may burst, causing personal injury or damage.

SYMBOLS

The following signal words and meanings are intended to explain the levels of risk associated with this product.

SYMBOL	SIGNAL	MEANING
	DANGER:	Indicates a hazardous situation, which, if not avoided, will result in death or serious injury.
	WARNING:	Indicates a hazardous situation, which, if not avoided, could result in death or serious injury.
	CAUTION:	Indicates a hazardous situation, that, if not avoided, may result in minor or moderate injury.
	NOTICE:	(Without Safety Alert Symbol) Indicates information considered important, but not related to a potential injury (e.g. messages relating to property damage).

Some of the following symbols may be used on this product. Please study them and learn their meaning. Proper interpretation of these symbols will allow you to operate the product better and safer.

SYMBOL	NAME	DESIGNATION/EXPLANATION
	Safety Alert	Indicates a potential personal injury hazard.
	Read Operator's Manual	To reduce the risk of injury, user must read and understand operator's manual before using this product.
	Eye Protection	Always wear eye protection with side shields marked to comply with ANSI Z87.1.
	Wet Conditions Alert	Do not expose to rain or use in damp locations.
V	Volts	Voltage
Hz	Hertz	Frequency (cycles per second)
W	Watt	Power
~	Alternating Current	Type of current
==	Direct Current	Type or a characteristic of current

ASSEMBLY

WARNING:

Do not use this product if it is not completely assembled or if any parts appear to be missing or damaged. Use of a product that is not properly and completely assembled or with damaged or missing parts could result in serious personal injury.

WARNING:

Do not attempt to modify this product or create accessories or attachments not recommended for use with this product. Any such alteration or modification is misuse and could result in a hazardous condition leading to possible serious personal injury.

If any parts are damaged or missing, please call 1-800-525-2579 for assistance.

OPERATION

WARNING:

Do not allow familiarity with products to make you careless. Remember that a careless fraction of a second is sufficient to inflict serious injury.

WARNING:

Always wear eye protection with side shields marked to comply with ANSI Z87.1. Failure to do so could result in objects being thrown into your eyes resulting in possible serious injury.

APPLICATIONS

You may use this product for the following purpose:

- Charging RYOBI 18V Li-Ion batteries

NOTICE:

If charge does not appear to initiate or appears to stop charging the battery pack before reaching full charge, check that charger is properly plugged into a power supply (outlet) and that the power supply is energized. If so, try charging a different battery pack. If the different battery pack charges properly, then return the battery pack that did not charge properly. If a different battery pack does not charge, return the charger and the battery pack(s). Make returns to the nearest authorized service center for service or replacement.

NOTICE:

Charge in a well-ventilated area. Do not block charger vents. Keep them clear to allow proper ventilation.

KEY HOLE HANGER

See Figure 1, page 7.

To mount the charger, only use the key hole hanging feature. Screws should be installed so that the center distance is 10 in.

USING THE USB CHARGING PORT

See Figure 2, page 7.

The USB charging port provides charging power of 5 Volts DC at up to 2 amps for your cell phone, MP3 player, tablet, or other USB devices. Consult the owner's manual for your device for specific charging requirements.

Connect one end of a USB cable (not provided) to your device and the other end to a USB charging port on the charger to begin charging your device.

NOTICE:

Attempting to charge devices rated more than 2 amps could damage the USB charging ports and/or the charger.

CHARGING

See Figures 3 - 4, page 7.

Battery packs are shipped in a low charge condition to prevent possible problems. Therefore, you should charge them before first use. If the charger does not charge your battery pack under normal circumstances, return both the battery pack and charger to your nearest repair center for electrical check.

Charge time is approximately 30 minutes and is dependent upon the type of battery pack.

NOTE: Charger charges batteries one at a time; charger does NOT charge multiple batteries simultaneously.

- Make sure the power supply is normal household voltage, **120 volts, AC only, 60 Hz.**
- Connect the charger to a power supply.
- Attach the battery pack to the charger by aligning the raised ribs on the battery pack with the grooves in the charger, then insert the battery pack into the charger.
- Press down on the battery pack to be sure contacts on the battery pack engage properly with contacts in the charger.

OPERATION

- Latches should snap into place to ensure charger is correctly connected.
- Do not place the charger in an area of extreme heat or cold. It will work best at normal room temperature.
- The battery pack may become slightly warm to the touch while charging. This is normal and does not indicate a problem.
- When the battery pack is more than 80% charged and ready for use, the green LED will begin fading on/off continuously.
- After the battery is fully charged, the green LED will remain on while the charger is in Energy Save Mode.
- Charger will periodically wake from Energy Save mode to ensure the battery pack remains in a fully charged state.
- To remove the battery pack from the charger, depress latches and pull up on the battery pack.
- When the battery pack is fully charged, remove it from the charger.

CHARGING A HOT BATTERY PACK

When using a tool continuously, the battery pack may become hot. A hot battery pack may be placed directly onto a battery port but charging will not begin until the battery temperature cools to within acceptable temperature range. When a hot battery pack is placed on the charger, the battery port's LED will begin flashing red. When the battery pack cools, the charger will automatically begin charging.

NOTE: Each battery port has its own LEDs.

CHARGING A COLD BATTERY PACK

A cold battery pack may be placed directly onto the charger port but charging will not begin until the battery temperature warms to within acceptable temperature range. When a cold battery pack is placed on the charger, the battery port's LED will begin flashing red. When the battery pack warms, the charger will automatically begin charging.

NOTE: Each battery port has its own LEDs.

LED FUNCTION OF CHARGER

MODE	RED LED	GREEN LED	BATTERY PACK	ACTION
Standby	ON	OFF	Multiple battery packs installed	Waiting to charge battery pack; product will attempt to charge battery packs in the order that they are installed.
Temperature Delay	Flashing	OFF	Hot Battery Pack	When battery pack reaches cooled temperature, charger begins charge mode.
			Cold Battery Pack	When battery pack reaches warmed temperature, charger begins charge mode.
Error	Flashing	Flashing	Error	Battery pack or charger error.
<ul style="list-style-type: none"> • Try to repeat the conditions a second time by removing and reinstalling the battery pack. If the LED Error status repeats a second time, try charging a different battery. • If a different battery charges normally, dispose of the pack that received the Error (see your battery pack manual for instructions). • If a different battery also indicates Error, the charger should be replaced. 				
Charging	OFF	Flashing	Charging	Battery is being charged.
Ready	OFF	Fading	More than 80% charged	Fast-charging phase complete. Battery pack may be used. Battery will finish charging at a reduced rate until fully charged.
Charged/ Energy Save Mode	OFF	ON	Battery full / Energy Save mode	Battery pack is fully charged and charger is in Energy Save mode.

NOTE: Maintenance information begins on page 6 after French and Spanish language sections. Illustrations start on page 7.

RÈGLES DE SÉCURITÉ POUR LE CHARGEUR

AVERTISSEMENT !

LIRE ET VEILLER À BIEN COMPRENDRE TOUTES LES INSTRUCTIONS. Le non-respect de toutes les instructions ci-dessous peut entraîner un choc électrique, un incendie et/ou des blessures graves.

- **Avant d'utiliser le chargeur de piles**, lire toutes les instructions de sécurité et mises en garde figurant dans ce manuel, sur le chargeur et sur le produit utilisant le chargeur pour éviter un usage incorrect et des dommages ou blessures.

AVERTISSEMENT :

Charger seulement RYOBI bloc-piles rechargeables au lithium-ion. Les piles d'autres types peuvent exploser et causer des blessures et dommages. Pour les bloc-piles compatibles voir l'information supplémentaire outil/appareil/bloc-pile/chargeur 987000-432.

- **Ne pas utiliser le chargeur à l'extérieur, ni l'exposer à l'eau ou l'humidité.** La pénétration d'eau dans le chargeur accroît le risque de choc électrique.

AVERTISSEMENT:

Ne pas charger une pile qui est humide ou qui a été humide ou exposée à des liquides.

- **L'usage d'un accessoire non recommandé ou vendu par le fabricant du chargeur peut causer un risque d'incendie, de choc électrique ou de blessures.** Le respect de cette consigne réduira les risques d'incendie, de choc électrique et de blessures graves.
- **Ne pas recharger le pile dans un endroit humide ou mouillé. Ne pas utiliser, remiser ou charger le bloc-piles ou produits dans des emplacements où la température est inférieure 10 °C (50 °F) à ou supérieure à 29 °C (84 °F).** Ne pas ranger l'outil à l'extérieur ou dans un véhicule.
- **Ne pas maltraiter le cordon d'alimentation ou le chargeur.** Ne jamais utiliser le cordon d'alimentation pour transporter le chargeur. Ne pas débrancher le chargeur en tirant sur le cordon. Tirer sur la fiche pour la débrancher. Un cordon ou un chargeur endommagé peut présenter un risque de choc électrique. Si le cordon d'alimentation ou le chargeur est endommagé, veuillez le faire remplacer le chargeur immédiatement par un réparateur autorisé.
- **S'assurer que le cordon n'est pas acheminé à un endroit où il risque d'être piétiné, accroché, endommagé, mis en contact avec des objets tranchants ou autrement maltraité.** Ceci réduira le risque de chute pouvant entraîner des blessures et des dommages au cordon, susceptible de causer un choc électrique.
- **Garder le cordon et le chargeur à l'écart des sources de chaleur pour éviter des dommages au boîtier ou aux pièces internes.**
- **Ne jamais laisser de liquides tels que, l'essence, les produits à base de pétrole, les huiles pénétrantes, etc.,**

entrer en contact avec les pièces en plastique. Ces liquides contiennent des produits chimiques susceptibles d'endommager, d'affaiblir ou de détruire le plastique.

- **Ne pas recharger le pile dans un endroit humide ou mouillé.** Ne pas utiliser, remiser ou charger le bloc-piles ou produits dans des emplacements où la température est inférieure 10 °C (50 °F) à ou supérieure à 38 °C (100 °F). Ne pas ranger l'outil à l'extérieur ou dans un véhicule.
- **Toujours porter une protection oculaire avec écrans latéraux certifiée conforme à la norme ANSI Z87.1.** Ne pas suivre cette directive pourrait faire que des objets soient projetés dans vos yeux et causent de graves blessures.
- **N'utiliser un cordon prolongateur qu'en cas d'absolue nécessité.** L'usage d'un cordon prolongateur incorrect peut présenter des risques d'incendie et de choc électrique. Si un cordon prolongateur doit être utilisé, s'assurer :
 - a. Que la fiche du cordon comporte le même nombre de broches que celles du chargeur et que ses broches sont de mêmes forme et taille.
 - b. Que le cordon est correctement câblé et en bon état électrique ; et
 - c. Que le calibre des fils est suffisant pour l'intensité c.a. du chargeur spécifiée ci-dessous :

Longueur du cordon (en pieds)	25	50	100
Calibre du cordon (AWG)	16	16	16

NOTE : AWG = American Wire Gauge (calibre de fils américain)

- **Le chargeur doit être monté en position verticale ou reposer sur sa base pendant l'utilisation.**
- **Ne pas utiliser un chargeur dont la prise ou le cordon est endommagé**, ce qui pourrait entraîner un court-circuit et un choc électrique. Le cas échéant, faire remplacer la prise ou le cordon immédiatement par un réparateur agréé.
- **Ne pas utiliser le chargeur s'il a été soumis à un choc violent ou autrement endommagé.** Le confier à un réparateur agréé afin qu'il détermine s'il est en bon état de fonctionnement.
- **Ne pas démonter le chargeur.** Si un entretien ou une réparation est nécessaire, le confier à un réparateur agréé. Un remontage incorrect peut entraîner des risques de choc électrique ou d'incendie.
- **Pour réduire les risques de choc électrique, débrancher le chargeur de la prise secteur avant de procéder à tout nettoyage ou entretien.**
- **Lorsqu'il n'est pas en usage, débrancher le chargeur de l'alimentation secteur.** Ceci réduira le risque de choc électrique ou de dommages au chargeur si des articles en métal venaient à tomber dans l'ouverture. Ceci aidera également à éviter des dommages au chargeur en cas de saute de tension.
- **Risque de choc électrique.** Ne pas toucher les parties non isolées du connecteur de sortie ou les bornes de piles non isolées.
- **Conserver ces instructions.** Les consulter fréquemment et les utiliser pour instruire les autres utilisateurs éventuels. Si cet outil est prêté, il doit être accompagné de ces instructions, afin d'éviter un usage incorrect et d'éventuelles blessures.




RÈGLES DE SÉCURITÉ POUR LE CHARGEUR

INSTRUCTIONS IMPORTANTES CONCERNANT LA SÉCURITÉ





- 1. CONSERVER CES INSTRUCTIONS - DANGER : POUR RÉDUIRE LE RISQUE D'INCENDIE OU DE DÉCHARGE ÉLECTRIQUE, VEUILLEZ SUIVRE ATTENTIVEMENT CES INSTRUCTIONS.**
Ce manuel contient d'importantes instructions relatives à la sécurité et au fonctionnement des chargeur de piles PCG006.
- 2. Avant d'utiliser le chargeur de piles,** lire toutes les instructions et les mises en garde figurant sur le chargeur de pile, sur la pile et sur le produit utilisant la pile.
- 3. ⚠️ AVERTISSEMENT :** Risque de blessure, de décharge électrique, d'incendie et de dommages. Consulter le manuel d'utilisation afin de connaître le type et le nombre de batteries à charger. Les autres types de piles peuvent éclater. Ne pas interconnecter les bornes de sortie.
- 4. ⚠️ ATTENTION :** Pour réduire les risques de blessure, ne charger que des piles rechargeables lithium-ion. Les piles d'autres types peuvent exploser et causer des dommages et blessures.

SYMBOLES

Les termes de mise en garde suivants et leur signification ont pour but d'expliquer le degré de risques associé à l'utilisation de ce produit.

SYMBOLE	SIGNAL	SIGNIFICATION
	DANGER :	Indique une situation dangereuse qui, si elle n'est pas évitée, aura pour conséquences des blessures graves ou mortelles.
	AVERTISSEMENT :	Indique une situation dangereuse qui, si elle n'est pas évitée, pourrait entraîner des blessures graves ou mortelles.
	ATTENTION :	Indique une situation dangereuse qui, si elle n'est pas évitée, pourrait entraîner des blessures légères ou de gravité modérée.
	AVIS :	(Sans symbole d'alerte de sécurité) Indique les informations jugées importantes sans toutefois représenter un risque de blessure (ex. : messages concernant les dommages matériels).

Certains des symboles ci-dessous peuvent être utilisés sur produit. Veiller à les étudier et à apprendre leur signification. Une interprétation correcte de ces symboles permettra d'utiliser produit plus efficacement et de réduire les risques.

SYMBOLE	NOM	DÉSIGNATION / EXPLICATION
	Symbole d'alerte de sécurité	Indique un risque de blessure potentiel.
	Lire manuel d'utilisation	Pour réduire les risques de blessures, l'utilisateur doit lire et veiller à bien comprendre le manuel d'utilisation avant d'utiliser ce produit.
	Protection oculaire	Toujours porter une protection oculaire avec écrans latéraux certifiée conforme à la norme ANSI Z87.1.
	Avertissement concernant l'humidité	Ne pas exposer à la pluie ou l'humidité.
V	Volts	Tension
Hz	Hertz	Fréquence (cycles par seconde)
W	Watts	Puissance
~	Courant alternatif	Type de courant
≡	Courant continu	Type ou caractéristique du courant

ASSEMBLAGE

AVERTISSEMENT :

Ne pas utiliser le produit s'il n'est pas complètement assemblé ou si des pièces semblent manquantes ou endommagées. Le fait d'utiliser un produit assemblé de façon inadéquate ou incomplète peut entraîner des blessures graves.

AVERTISSEMENT :

Ne pas essayer de modifier ce produit ou de créer des accessoires non recommandés pour le produit. De telles altérations ou modifications sont considérées comme un usage abusif et peuvent créer des conditions dangereuses, risquant d'entraîner des blessures graves.

Si des pièces sont manquantes ou endommagées, appeler le 1-800-525-2579.

UTILISATION

AVERTISSEMENT :

Ne pas laisser la familiarité avec les produits faire oublier la prudence. Ne pas oublier qu'une fraction de seconde d'inattention peut entraîner des blessures graves.

AVERTISSEMENT :

Toujours porter une protection oculaire avec écrans latéraux certifiée conforme à la norme ANSI Z87.1. Ne pas suivre cette directive pourrait faire que des objets soient projetés dans vos yeux et causent de graves blessures.

APPLICATIONS

Cet produit peut être utilisé pour les applications :

- Charge des blocs-piles RYOBI 18 V compatibles

AVIS :

Si la charge ne semble pas commencer ou semble s'arrêter avant d'atteindre la charge complète, vérifiez que le chargeur est correctement branché sur une alimentation (prise) électrique et que celle-ci est sous tension. Si tel est le cas, essayez de charger un autre bloc-pile. Si le bloc-pile différent se charge correctement, retournez le bloc-pile qui ne s'est pas chargé correctement. Si un autre bloc-pile ne se charge pas, retournez le chargeur et les blocs-piles. Retournez l'appareil au centre de service agréé le plus proche pour le faire réparer ou le remplacer.

AVIS :

Charger dans un endroit bien ventilé. Ne pas bloquer les événements du chargeur. Veiller à ce qu'ils soient dégagés pour assurer une bonne ventilation.

TROU DE SERRURE POUR LA SUSPENSION

Voir la figure 1, page 7.

Le chargeur comporte un système d'accrochage commode du type « trou de serrure ». Les vis doivent être installées à une distance de 254 mm (10 po) d'axe en axe.

UTILISATION DE PRISE USB POUR LA CHARGE

Voir la figure 2, page 7.

Le prise USB pour la charge offre une puissance de charge de 5 VCC et jusqu'à 2 ampères pour charger un téléphone cellulaire, un lecteur MP3, une tablette ou d'autres dispositifs USB. Consulter le manuel d'utilisation du dispositif à utiliser pour connaître ses exigences électriques.

Brancher une extrémité du câble USB (non fourni) au dispositif et l'autre extrémité à la prise USB pour la charge du chargeur pour commencer la charge du dispositif.

AVIS :

Tenter de charger des dispositifs ayant des caractéristiques électriques supérieures à 2 ampères risque d'endommager les prises USB pour la charge et/ou le chargeur.

CHARGE

Voir les figures 3 et 4, page 7.

Les bloc-piles sont expédiés avec une faible charge pour éviter des problèmes. C'est pourquoi il doit être chargé avant la première utilisation. Si les piles ne se rechargent pas dans des conditions normales, les retourner, ainsi que le chargeur, au centre de réparation le plus proche, pour une vérification électrique.

Le temps de charge est d'environ 30 minutes, et dépend du type de pile.

NOTE : Le chargeur peut charger une pile à la fois ; il ne peut charger plusieurs piles simultanément.

- S'assurer que l'alimentation est de **120 V, c.a. (courant résidentiel standard), 60 Hz.**
- Brancher le chargeur sur une prise secteur.
- Fixer le bloc-piles sur le chargeur en alignant les nervures en saillie du bloc-piles avec les rainures du chargeur, puis glisser le bloc-piles et chargeur ensemble.
- Appuyer sur le chargeur pour assurer que ses contacts s'engagent correctement sur ceux du chargeur.
- Les attaches doivent s'enclencher correctement pour assurer le raccordement au chargeur.

UTILISATION

- Ne pas placer le chargeur dans un endroit exposé à des températures extrêmes (chaudes ou froides). Son fonctionnement optimal est obtenu à température ambiante.
- Pendant la charge, le piles pourrait chauffe légèrement. Ceci est normal et n'est pas l'indication d'un problème.
- Lorsque le bloc-piles est chargé à plus de 80 % et prêt à être utilisé, le voyant vert s'allume et s'éteint en continu.
- Une fois la pile entièrement chargée, le voyant vert reste allumé pendant que le chargeur est en mode d'économie d'énergie.
- Le chargeur quitte le mode d'économie d'énergie de façon périodique pour s'assurer que le bloc-piles demeure entièrement chargé.
- Pour retirer le bloc-pile du chargeur, enfoncer les attaches de chaque côté de bloc-piles et et sortir les piles du chargeur.
- Enlever le bloc-piles du chargeur dès que la charge est terminée.

CHARGE D'UN BLOC PILES CHAUD

Lorsque cet outil est utilisé continuellement, les piles chauffent. Un bloc-pile chaud peut être placé directement sur le port du chargeur, mais la charge ne commencera que lorsque la température de la pile atteindra la plage de température acceptable. Lorsqu'un bloc-piles chaud est inséré dans le chargeur, la DEL rouge commencera à clignoter. Une fois les bloc-piles refroidies, le chargeur passe automatiquement en mode de charge.

NOTE : Chaque port de pile possède ses propres voyants.

CHARGE D'UN BLOC-PILE FROID

Un chargeur chaud peut être placé directement sur le port du chargeur, mais la charge ne commencera que lorsque la température de la pile atteindra la plage de température acceptable. Lorsqu'un bloc-piles froid est inséré dans le chargeur, la DEL rouge commencera à clignoter. Une fois les bloc-piles refroidies, le chargeur passe automatiquement en mode de charge.

NOTE : Chaque port de pile possède ses propres voyants.

SIGNAUX DES TÉMOINS DEL DU CHARGEUR

MODE	TÉMOIN ROUGE	TÉMOIN VERT	BLOC-PILE	ACTION
Veille	MARCHE	ARRÊT	Plusieurs blocs-piles installés	En attente de recharge des blocs-piles; le produit tentera de recharger les blocs-piles dans leur ordre d'installation.
Délai du température	Clignotant	ARRÊT	Bloc-piles chaud	Une fois les bloc-piles refroidi, le chargeur passe en mode de charge.
			Bloc-piles froid	Une fois les piles réchauffé, le chargeur passe en mode de charge.
Erreur	Clignotant	Clignotant	Erreur	Erreur de la bloc-pile ou du chargeur.

- Retirer la bloc-pile et la réinsérer pour voir si elle ne se charge toujours pas. Si les DEL indiquent toujours un problème, essayer de charger une autre bloc-pile.
- Si une bloc-pile différente se charge normalement, éliminée le paquet qui a généré l'**Erreur** (consulter le manuel de votre bloc-piles pour connaître les instructions).
- Si une pile différente indique également **Erreur**, le chargeur doit être remplacé.

En charge	ARRÊT	Clignotant	Charge	Pile en cours de chargement.
Prêt	À L'ARRÊT	Décoloration	Plus que 80% chargé	La phase de chargement rapide est terminée. Le bloc-piles peut être utilisé. La pile finira de se charger à un taux réduit jusqu'à la charge complète.
Charge/Mode d'économie d'énergie	ARRÊT	MARCHE	Complètement chargée / Mode d'économie d'énergie	Le bloc-piles est complètement chargé et le chargeur est en mode d'économie d'énergie.

NOTE : Le information de entretien commençant sur 6 de page après la section Espagnol. Illustrations commençant sur 7 de page.

REGLAS DE SEGURIDAD PARA EL EMPLEO DEL CARGADOR

¡ADVERTENCIA!

LEA Y COMPRENDA TODAS LAS INSTRUCCIONES. El incumplimiento de las instrucciones señaladas abajo puede causar descargas eléctricas, incendios y lesiones serias.

- **Antes de emplear el cargador de baterías**, lea todas las instrucciones y las marcas precautorias del manual, del cargador, de la batería y del producto con el cual se utiliza dicha batería, con el fin de evitar un empleo indebido del producto y posibles lesiones corporales o daños físicos.

ADVERTENCIA:

Cargue sólo paquetes de baterías RYOBI recargables de iones de litio. Los otros tipos de baterías pueden explotar y ocasionar daños y lesiones corporales. Para obtener paquetes de baterías compatibles, consulte el complemento de correlación de herramienta/artefacto/paquete de batería/cargador 987000-432.

- **No utilice el cargador a la intemperie ni lo exponga a condiciones húmedas o mojadas.** La introducción de agua en el cargador aumenta el riesgo de una descarga eléctrica.

ADVERTENCIA:

No cargue una batería húmeda o que haya estado húmeda o expuesta a líquidos.

- **El uso de un accesorio no recomendado o vendido por el fabricante del cargador de baterías puede significar un riesgo de incendio, descarga eléctrica o lesiones corporales.** Con el cumplimiento de esta regla se reduce el riesgo de una descarga eléctrica, incendio o lesión seria.
- **No cargue la batería en lugares mojados o húmedos. No lo utilice, guarde o cargue la paquete de baterías o la unidad en lugares donde la temperatura sea inferior a 10 °C (50 °F) o superior a 29°C (84 °F).** No guarde la herramienta a la intemperie ni en el interior de vehículos.
- **No maltrate el cordón eléctrico ni el cargador.** Para trasladar el cargador nunca lo sostenga del cordón. No tire del cordón del cargador en lugar de tirar de la clavija al desconectar el aparato de la toma de corriente. Puede dañar el cordón o el cargador y causar un peligro de descarga eléctrica. Si el cordón eléctrico ni el cargador está dañada, un técnico de servicio autorizado debe reemplazar el cargador.
- **Asegúrese de que el cordón eléctrico esté ubicado de tal manera que nadie lo pise o se tropiece con él, no toque bordes afilados o piezas en movimiento ni quede sujeto a daños ni tensiones.** De esta manera se reduce el riesgo de caídas accidentales que pudieran causar lesiones personales y daños al cordón, lo cual podría ocasionar una descarga eléctrica.
- **Mantenga el cordón y el cargador alejados del calor para evitar dañar el alojamiento o las partes internas de la unidad.**
- **No permita que gasolina, aceites, productos a base de petróleo, etc., lleguen a tocar las piezas de plástico.**

Dichos productos contienen compuestos químicos que pueden dañar, debilitar o destruir el plástico.

- **Siempre póngase protección ocular con la marca de cumplimiento de la norma ANSI Z87.1.** La inobservancia de esta advertencia puede permitir que los objetos lanzados hacia los ojos puedan provocarle lesiones graves.
- **No cargue la batería en lugares mojados o húmedos.** No lo utilice, guarde o cargue la paquete de baterías o la unidad en lugares donde la temperatura sea inferior a 10 °C (50 °F) o superior a 38 °C (100 °F). No guarde la herramienta a la intemperie ni en el interior de vehículos.
- **No debe emplearse un cordón de extensión a menos que sea absolutamente necesario.** El empleo de un cordón de extensión inadecuado puede significar un riesgo de incendio o descarga eléctrica. Si es necesario utilizar un cordón de extensión, asegúrese:
 - a. De que las patillas de la clavija del cordón de extensión vengan en el mismo número, tamaño y forma que las de la clavija del cargador.
 - b. Que el cordón de extensión esté alambrado correctamente y en buenas condiciones eléctricas, y
 - c. Que el tamaño del alambre sea del tamaño suficiente para el amperaje de CA nominal del cargador como se especifica a continuación:

Long. cordón (pies)	25'	50'	100'
Calibre cordón (AWG)	16	16	16

NOTA: AWG = Calibre conductores norma americana

- **El cargador debe montarse en posición vertical o apoyado sobre la base durante el uso.**
- **No utilice el cargador si está dañado el cordón o la clavija**, ya que podría causar un corto circuito y una descarga eléctrica. Si está dañada una pieza, un técnico de servicio autorizado debe reemplazar el cargador.
- **No utilice el cargador si el mismo ha sufrido una caída, un golpe sólido o un daño de cualquier tipo.** Llévelo a un técnico de servicio autorizado para una revisión eléctrica y así determinar si el cargador está en buenas condiciones de funcionamiento.
- **No desarme el cargador.** Llévelo a un técnico de servicio autorizado si requiere servicio o una reparación. Si se rearma la unidad de manera incorrecta, puede presentarse un riesgo de descarga eléctrica o incendio.
- **Para reducir el riesgo de una descarga eléctrica, desconecte el cargador de la toma de corriente antes de iniciar una tarea de mantenimiento o de limpieza.**
- **Cuando no esté en uso el cargador desconéctelo del suministro de voltaje.** De esta manera se reduce el riesgo de una descarga eléctrica o daños al cargador si artículos metálicos caen en la abertura. Esto también ayuda a evitar dañar el cargador en el caso de una subida de voltaje.
- **Riesgo de descarga eléctrica.** No toque ninguna parte sin aislar del conector de salida, ni ninguna terminal de las baterías en tales condiciones.
- **Guarde estas instrucciones.** Consúltelas con frecuencia y empléelas para instruir a otras personas que puedan utilizar esta herramienta. Si presta a alguien esta herramienta, facilíttele también las instrucciones con el fin de evitar un uso indebido del producto y posibles lesiones.

REGLAS DE SEGURIDAD PARA EL EMPLEO DEL CARGADOR

■ INSTRUCCIONES DE SEGURIDAD IMPORTANTES




1. GUARDE ESTAS INSTRUCCIONES - PELIGRO: PARA REDUCIR EL RIESGO DE INCENDIOS O DESCARGA ELÉCTRICA, SIGA CUIDADOSAMENTE ESTAS INSTRUCCIONES

Este manual contiene instrucciones importantes respecto a la seguridad y funcionamiento de los cargador de baterías PCG006.





2. **Antes de emplear el cargador de baterías** lea todas las instrucciones y las indicaciones precautorias del cargador de baterías, de las baterías y del producto con el que se utilizan las baterías.
3. **⚠️ ADVERTENCIA:** Riesgo de lesiones, descarga eléctrica, incendio y daños. Diríjase al manual del operador para conocer el tamaño, tipo y número de baterías que se pueden cargar. Es posible que otras baterías exploten. No interconecte terminales de salida.
4. **⚠️ PRECAUCIÓN:** Para reducir el riesgo de lesiones, sólo cargue baterías recargables de iones de litio. Otros tipos de baterías pueden estallar y causar lesiones corporales así como daños materiales.

SÍMBOLOS

Las siguientes palabras de señalización y sus significados tienen el objeto de explicar los niveles de riesgo relacionados con este producto.

SÍMBOLO	SEÑAL	SIGNIFICADO
	PELIGRO:	Indica una situación peligrosa inminente, la cual, si no se evita, causará la muerte o lesiones serias.
	ADVERTENCIA:	Indica una situación peligrosa posible, la cual, si no se evita, podría causar la muerte o lesiones serias.
	PRECAUCIÓN:	Indica una situación peligrosa posible, la cual, si no se evita, podría causar lesiones menores o leves.
	AVISO:	(Sin el símbolo de alerta de seguridad) Indica la información que se considera importante, pero no relacionada con lesiones potenciales (por ej. en relación a daños a la propiedad).

Es posible que se empleen en este producto algunos de los siguientes símbolos. Le suplicamos estudiarlos y aprender su significado. Una correcta interpretación de estos símbolos le permitirá utilizar mejor y de manera más segura el producto.

SÍMBOLO	NOMBRE	DENOMINACIÓN/EXPLICACIÓN
	Alerta de seguridad	Indica un peligro posible de lesiones personales.
	Lea manual del operador	Para reducir el riesgo de lesiones, el usuario debe leer y comprender el manual del operador antes de usar este producto.
	Protección ocular	Siempre póngase protección ocular con protección lateral con la marca de cumplimiento de la norma ANSI Z87.1.
	Alerta de condiciones húmedas	No exponga la unidad a la lluvia ni la use en lugares húmedos.
V	Volts	Voltaje
Hz	Hertz	Frecuencia (ciclos por segundo)
W	Watts	Potencia
~	Corriente alterna	Tipo de corriente
==	Corriente continua	Tipo o característica de corriente

ARMADO

ADVERTENCIA:

No use este producto si no está totalmente ensamblado o si alguna pieza falta o está dañada. El uso de un producto que no está adecuadamente y completamente ensamblado o posee partes dañadas o faltantes puede resultar en lesiones personales graves.

ADVERTENCIA:

No intente modificar este producto ni crear aditamentos o accesorios que no estén recomendados para usar con este producto. Dichas alteraciones o modificaciones constituyen un uso indebido y podrían provocar una situación de riesgo que cause posibles lesiones personales graves.

Si hay piezas dañadas o faltantes, le suplicamos llamar al 1-800-525-2579, donde le brindaremos asistencia.

FUNCIONAMIENTO

ADVERTENCIA:

No permita que su familiarización con el producto lo vuelva descuidado. Tenga presente que un descuido de un instante es suficiente para causar una lesión seria.

ADVERTENCIA:

Siempre póngase protección ocular con la marca de cumplimiento de la norma ANSI Z87.1. La inobservancia de esta advertencia puede permitir que los objetos lanzados hacia los ojos y otros provocarle lesiones graves.

APLICACIONES

Este producto puede emplearse para los fines siguientes:

- Cargar compatibles paquetes de baterías RYOBI 18 V

AVISO:

Si la carga parece no iniciarse o se detiene la carga de la batería antes de alcanzarse la carga completa, verifique que el cargador esté correctamente enchufado a una fuente de alimentación (tomacorriente) y que la fuente de alimentación tenga corriente. Si es así, intente cargar otra batería. Si la otra batería se carga correctamente, devuelva la batería que no se cargó correctamente. Si no se carga otra batería, devuelva el cargador y la batería. Realice las devoluciones al centro de servicio autorizado más cercano para su reparación o reemplazo.

AVISO:

Cargue en un área bien ventilada. No bloquee las rejillas de ventilación. Manténgalas libres para permitir una ventilación adecuada.

COLGADOR TIPO BOCALLAVE

Ve la figura 1, página 7.

Para montar el cargador, utilice únicamente el colgador tipo bocallave. Los tornillos deben instalarse a una distancia central entre sí de 254 mm (10 pulg.).

CÓMO USAR LOS PUERTO DE CARGA PARA USB

Ve la figura 2, página 7.

El puerto de carga para USB proporciona potencia de carga de 5 voltios CC de hasta 2 amperios para su teléfono celular, reproductor de MP3, tableta, u otros dispositivos USB. Consulte the owner's manual for your device for specific charging requirements.

Conecte un extremo de un cable USB (no suministrado) a su dispositivo y el otro extremo del cable al puerto de carga para USB en el cargador para comenzar a cargar su dispositivo.

AVISO:

Si intenta cargar dispositivos de más de 2 amperios podría dañar el puerto de carga para USB y/o el cargador.

CARGA

Ve las figuras 3 - 4, página 7.

Los paquetes de baterías se envían con carga baja para evitar posibles problemas. Por lo tanto, debe cargarlas antes de usarlas por primera vez. Si el cargador no carga el paquete de baterías en circunstancias normales, regrese ambos, el paquete de baterías y el cargador, al centro de reparación más cercano, para que los revisen eléctricamente.

El tiempo de carga es de aproximadamente 30 minutos, y es dependiente del tipo de batería.

NOTA: El cargador carga una batería por vez; el cargador NO carga varias baterías de forma simultánea.

- Asegúrese de que el suministro de corriente sea sólo el doméstico normal, de **120 V, corr. alt., 60 Hz.**
- Conecte el cargador al suministro de corriente.
- Conecte el paquete de baterías al cargador; para ello, alinee las costillas realzadas del primero con las ranuras del segundo, entonces deslizen el paquete de batería y corcel juntos.
- Empuje el cargador para asegurarse que los contactos del mismo se conecten adecuadamente con los contactos del cargador.
- Los pasadores deben quedar fijos en su lugar para asegurar que el cargador se conecte correctamente.

FUNCIONAMIENTO

- No coloque el cargador en ningún área extremadamente calurosa o fría. Que funcionará mejor a la temperatura normal del interior.
- El paquete de baterías se siente puede un poco caliente al tocarse mientras está cargándose. Esto es normal y no indica ningún problema.
- Cuando la batería esté cargada en más del 80 % y lista para usar, el LED verde comenzará a encenderse y apagarse de forma continua.
- Una vez que la batería esté completamente cargada, el LED verde permanecerá encendido mientras el cargador esté en modo de ahorro de energía.
- De vez en cuando, el cargador abandonará el modo de ahorro de energía para garantizar que el paquete de baterías continúe completamente cargado.
- Para extraer el paquete de baterías del cargador, oprima los pestillos laterales del paquete de baterías y quite la batería del cargador.
- Cuando el paquete de baterías se haya cargado por completo, retírelo del cargador.

CARGAR EL PAQUETE DE BATERÍAS CUANDO ESTÁ CALIENTE

Cuando se usa continuamente esta herramienta, se calienta el paquete de baterías. Se puede colocar un paquete de baterías caliente directamente en el puerto del cargador; sin embargo, la carga no comenzará hasta que la temperatura de las baterías disminuya y se encuentre dentro del rango de temperatura aceptable. Cuando se coloque un paquete de baterías caliente en el cargador, el LED rojo comenzará a titilar. Cuando el paquete de baterías se enfríe, el cargador comenzará a cargar automáticamente.

NOTA: El puerto de la batería tiene sus propios LED.

CARGAR EL PAQUETE DE BATERÍAS CUANDO ESTÁ FRÍO

Se puede colocar un paquete de baterías frío directamente en el puerto del cargador; sin embargo, la carga no comenzará hasta que la temperatura de las baterías aumente y se encuentre dentro del rango de temperatura aceptable. Cuando se coloque un paquete de baterías frío en el cargador, el LED rojo comenzará a titilar. Cuando el paquete de baterías se caliente, el cargador comenzará a cargar automáticamente.

NOTA: El puerto de la batería tiene sus propios LED.

FUNCIONAMIENTO DE LOS DIODOS LUMINISCENTES DEL CARGADOR

MODO	DIODO ROJO	DIODO VERDE	PAQUETE DE BATERÍAS	ACCIÓN
Espera	ENCENDIDO	APAGADO	Varias baterías instaladas	A la espera de cargar la batería; el producto intentará cargar las baterías en el orden en que se coloquen.
Demora de temperatura	Destellando	APAGADO	Paquetes de baterías caliente	Cuando la temperatura del paquete de baterías baja al nivel normal, en el cargador se activa el modo de carga.
			Paquetes de baterías frío	Cuando la temperatura del paquete de baterías sube al nivel normal, en el cargador se activa el modo de carga.
Error	Destellando	Destellando	Error	Error de la paquete de baterías o del cargador.
<ul style="list-style-type: none"> • Intente repetir las condiciones por segunda vez retirando y volviendo a colocar la batería. Si el estado de error del LED se repite por segunda vez, intente cargar otra batería. • Si nota que otra batería se carga normalmente, deseche la batería que recibió el Error (consulte el manual de la batería para obtener instrucciones). • Si la otra batería también indica Error, reemplace el cargador. 				
Cargando	APAGADO	Destellando	Carga	La batería se está cargando.
Listo	APAGADO	Desvanecimiento	Más que 80% cargado	Fase de carga rápida completa. Se puede utilizar la batería. La batería terminará de cargarse a un ritmo reducido hasta que esté completamente cargada.
Cargado/ mode d'économie d'énergie	APAGADO	ENCENDIDO	Batería con carga completa / mode d'économie d'énergie	El paquete de baterías está completamente cargado y el cargador está en el modo de ahorro de energía.

MAINTENANCE

WARNING:

Disconnect from the power supply before inspecting, cleaning, or performing any maintenance. Failure to follow these instructions can result in death, serious personal injury, or property damage.

WARNING:

When servicing, use only identical replacement parts. Use of any other parts could create a hazard or cause product damage.

GENERAL MAINTENANCE

Avoid using solvents when cleaning plastic parts. Most plastics are susceptible to damage from various types of commercial solvents

and may be damaged by their use. Use clean cloths to remove dirt, dust, oil, grease, etc.

WARNING:

Do not at any time let brake fluids, gasoline, petroleum-based products, penetrating oils, etc., come in contact with plastic parts. Chemicals can damage, weaken or destroy plastic which could result in serious personal injury.

STORAGE

Always remove the battery pack before storing the charger or any time the charger is unplugged.

ENTRETIEN

AVERTISSEMENT :

Débranchez l'outil de la source d'alimentation avant d'inspecter, nettoyer ou de procéder à un entretien quel qu'il soit. Le non-respect de ces instructions peut entraîner la mort, des blessures graves ou des dégâts matériels.

AVERTISSEMENT :

Utiliser exclusivement des pièces d'origine pour les réparations. L'usage de toute autre pièce pourrait créer une situation dangereuse ou endommager l'outil.

ENTRETIEN GÉNÉRAL

Éviter d'utiliser des solvants pour le nettoyage des pièces en plastique. La plupart des matières plastiques peuvent être

endommagées par divers types de solvants commerciaux. Utiliser un chiffon propre pour éliminer la saleté, la poussière, l'huile, la graisse, etc.

AVERTISSEMENT :

Ne jamais laisser de liquides tels que le fluide de freins, l'essence, les produits à base de pétrole, les huiles pénétrantes, etc., entrer en contact avec les pièces en plastique. Les produits chimiques peuvent endommager, affaiblir ou détruire le plastique, ce qui pourrait entraîner des blessures graves.

ENTREPOSAGE

Toujours retirer le bloc-piles avant d'entreposer le chargeur ou chaque fois que le chargeur est débranché.

MANTENIMIENTO

ADVERTENCIA:

Desconecte el suministro de corriente antes de inspeccionar, limpiar o de efectuar cualquier tarea de mantenimiento. Si no se observan estas instrucciones, podrían producirse la muerte, lesiones graves o daño materiales.

ADVERTENCIA:

Para el servicio de la unidad sólo utilice piezas de repuesto idénticas. El empleo de piezas diferentes puede causar un peligro o dañar el producto.

MANTENIMIENTO GENERAL

Evite el empleo de solventes al limpiar piezas de plástico. La mayoría de los plásticos son susceptibles a diferentes tipos de solventes

comerciales y pueden resultar dañados. Utilice paños limpios para eliminar la suciedad, el polvo, el aceite, la grasa, etc.

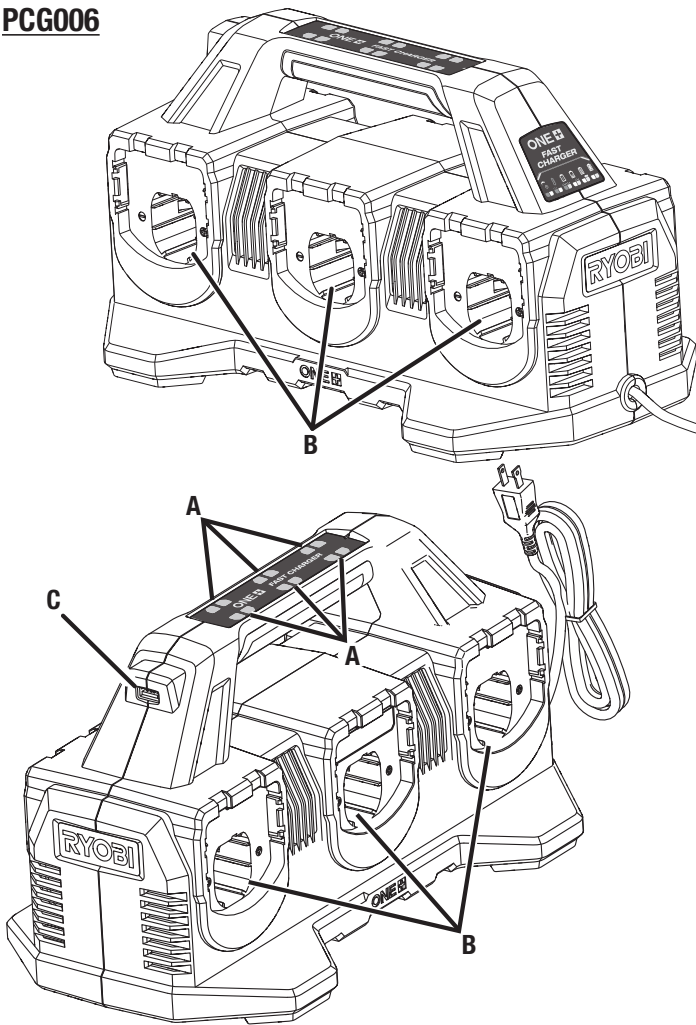
ADVERTENCIA:

No permita en ningún momento que fluidos para frenos, gasolina, productos a base de petróleo, aceites penetrantes, etc., lleguen a tocar las piezas de plástico. Las sustancias químicas pueden dañar, debilitar o destruir el plástico, lo cual a su vez puede producir lesiones corporales serias.

ALMACENAMIENTO

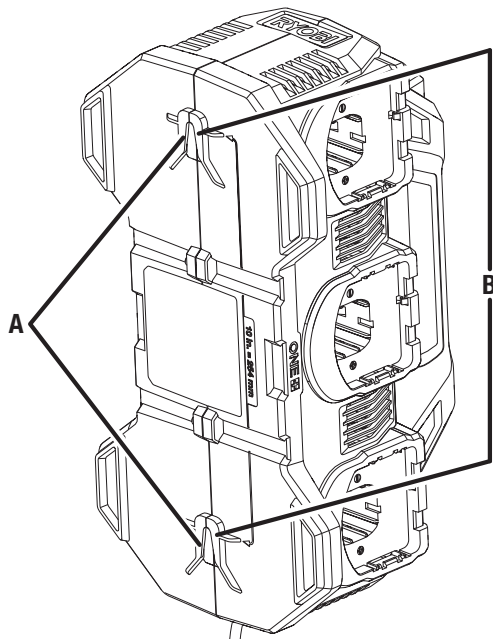
Siempre retire el paquete de baterías antes de almacenar el cargador o cada vez que el cargador esté desenchufado.

PCG006



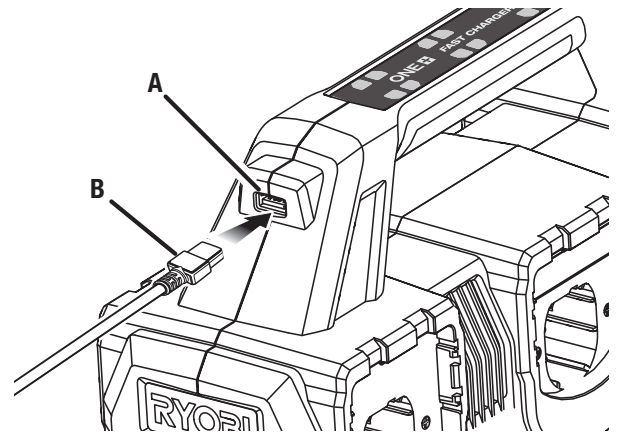
- A - LEDs (témoin, indicadores)
- B - Battery ports (logements de piles, receptáculos para baterías)
- C - USB charging port (prise USB pour la charge, puerto de carga para USB)

Fig. 1



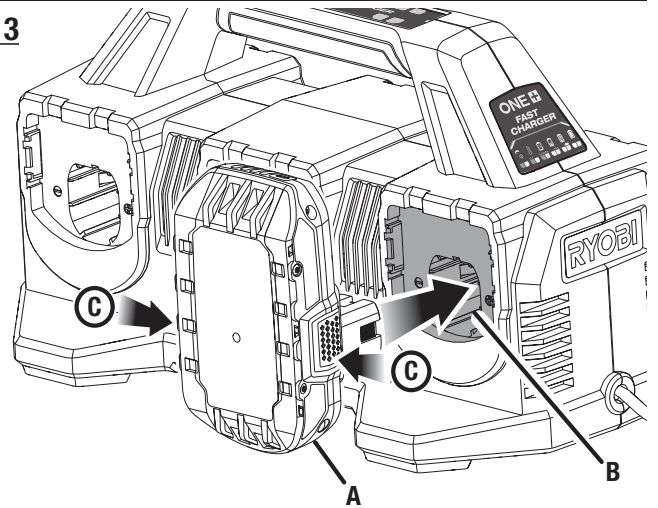
- A - Key hole hanger (trou de serrure pour la suspension, colgador tipo bocallave)
- B - 10 in. (254 mm) [254 mm (10 po), 254 mm (10 pulg.)]

Fig. 2



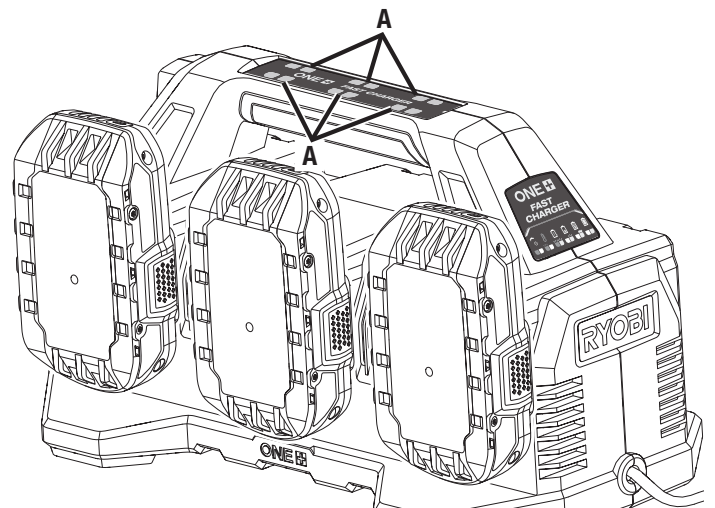
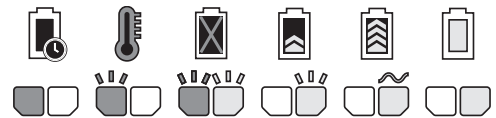
- A - USB charging port (prise USB pour la charge, puerto de carga para USB)
- B - USB cable (not provided) [câble USB (non fourni), cable USB (no suministrado)]

Fig. 3



- A - Battery pack (bloc-pile, paquete de baterías)
- B - Battery port (logement de pile, receptáculo para batería)
- C - Depress latches to remove battery pack (enfoncer les attaches pour retirer le bloc-pile, para extraer el paquete de baterías oprima los pestillos)

Fig. 4



- A - LEDs (témoin, indicadores)



OPERATOR'S MANUAL/18V 6-PORT CHARGER
MANUEL D'UTILISATION/CHARGEUR À 6 PORTS DE 18V
MANUAL DEL OPERADOR/CARGADOR DE 6 PUERTOS DE 18V
PCG006

To request service, purchase replacement parts,
locate an Authorized Service Center or obtain Customer or Technical Support:
Visit **www.ryobitools.com** or call **1-800-525-2579**

If any parts or accessories are damaged or missing, do not return this product to the store.
Call **1-800-525-2579** for immediate service.

Please obtain your model and serial number from the product data plate.
This product is covered under a 3-year limited Warranty. Proof of purchase is required.

MODEL NUMBER* _____ SERIAL NUMBER _____

**Model number on product may have additional letters at the end. These letters designate manufacturing information and should be provided when calling for service.*

RYOBI is a trademark of Ryobi Limited and is used pursuant to a license granted by Ryobi Limited.

Pour faire une demande de réparations ou obtenir des pièces de rechange, trouver un
Centre de réparations agréé pour obtenir un soutien technique ou le Service à la clientèle :
Visiter **www.ryobitools.com** ou en téléphonant au **1-800-525-2579**

Si des pièces ou accessoires sont manquantes ou endommagées, ne pas retourner
ce produit au magasin. Appeler immédiatement au **1-800-525-2579** pour obtenir de l'aide.

Inscrire les numéros de modèle et de série inscrits sur la plaque d'identification du produit.
Ce produit est couvert par une garantie limitée de trois (3) ans. Une preuve d'achat est exigée.

NUMÉRO DE MODÈLE* _____ NUMÉRO DE SÉRIE _____

**Le numéro de modèle sur le produit peut contenir des lettres supplémentaires à la fin. Ces lettres désignent les informations du fabricant et doivent être fournies lors d'un appel de demande de service.*

RYOBI est une marque de Ryobi Limited et est utilisée en vertu d'une licence accordée par Ryobi Limited.

Para obtener servicio, comprar piezas de repuesto, localizar un centro de servicio autorizado
y obtener Servicio o Asistencia Técnica al Consumidor:

Visite **www.ryobitools.com** (en la EE.UU.) o **www.ryobitools.mx** (en México)
o llame al **1-800-525-2579** (en la EE.UU.) o **01-800-843-1111** (en México).

Si hay alguna pieza o accesorios dañada o faltante, no devuelva este producto a la tienda.
Llame al **1-800-525-2579** (en la EE.UU.) o **01-800-843-1111** (en México) para servicio técnico inmediato.

Obtenga su modelo y número de serie de la placa de datos del producto.
Este producto está cubierto con una garantía limitada de 3 años. Se solicita prueba de la compra.

NÚMERO DE MODELO* _____ NÚMERO DE SERIE _____

**El número de modelo que figura en el producto podría tener letras adicionales al final. Estas designan información de fabricación y deben suministrarse cuando llame para obtener asistencia o servicio.*

RYOBI es una marca de Ryobi Limited y se utiliza conforme a una licencia otorgada por Ryobi Limited.

TTI CONSUMER POWER TOOLS, INC

P.O. Box 1288, Anderson, SC 29622 • Phone 1-800-525-2579
États-Unis, Téléphone 1-800-525-2579 • USA, Teléfono 1-800-525-2579

www.ryobitools.com