

REPAIR SHEET

BRAND

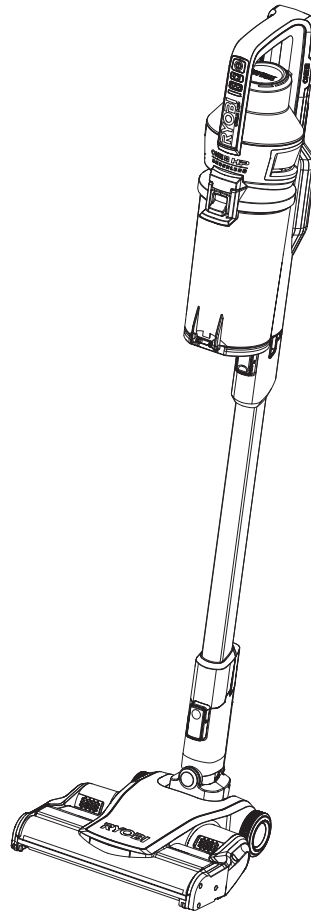
RYOBI

MODEL NO.

PBLSV717
PBLBB717/ PBLBB716

DESCRIPTION

**ONE+™ HP Stick Vacuum
with Floor Nozzle**



TTI CONSUMER POWER TOOLS, INC.

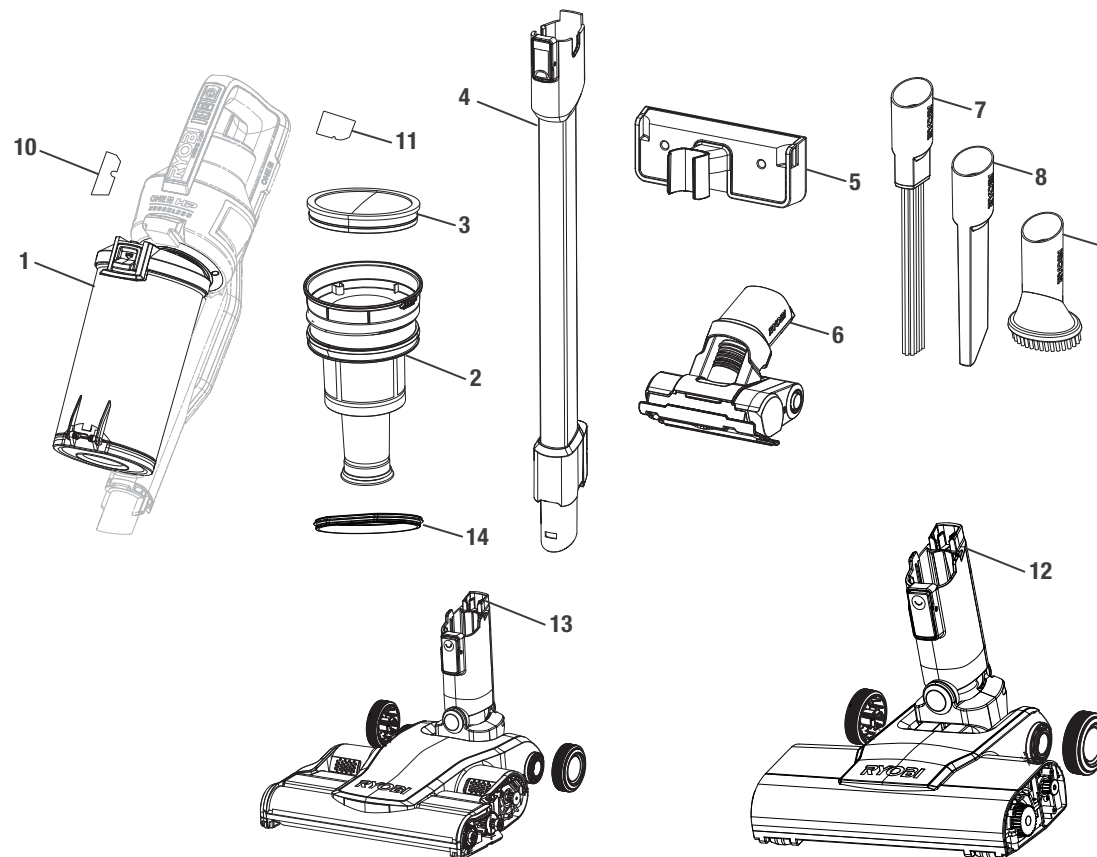
P.O. Box 1288, Anderson, SC 29622 ■ 1-800-525-2579 ■ www.ryobitools.com

7-11-23 (Rev:02)

The model number and manufacturing location will be found on a label attached to the product. Always mention this information in all communications regarding this product and when ordering parts.



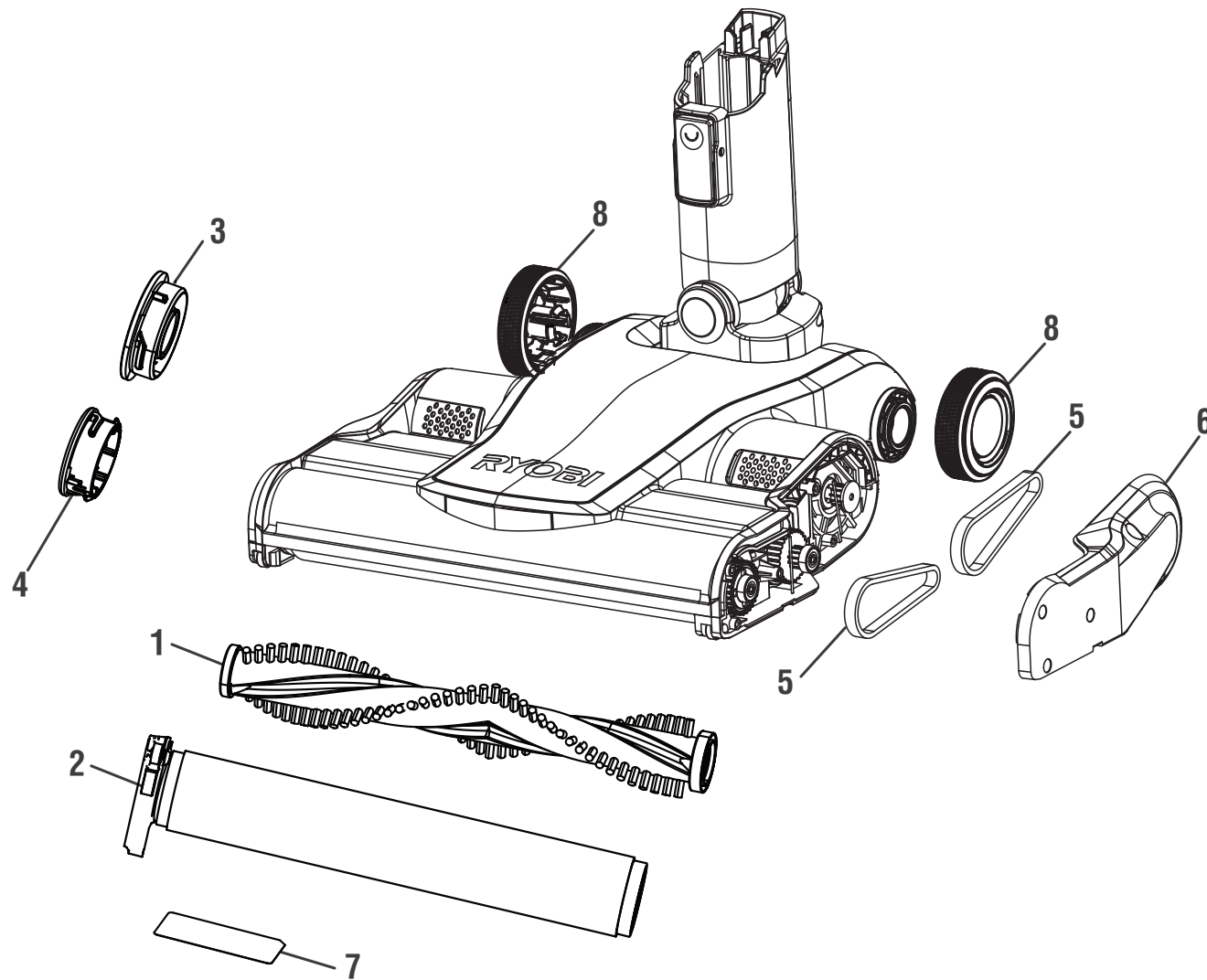
PBLSV717



PARTS LIST

KEY NO.	PART NO.	DESCRIPTION	QTY.
1	CN-206324002	Dust Cup Assembly	1
	VN-206324004	Dust Cup Assembly	1
2	204324029	Separator Assembly	1
3	904101001	Filter	1
4	318154001	Extension Wand	1
5	120832002	Wall Mount	1
6	318782001	Mini Beater Bar	1
7	318518001	Micro Crevice tool	1
8	545346001	Crevice tool Assembly	1
9	318568001	Dusting Brush Assembly	1

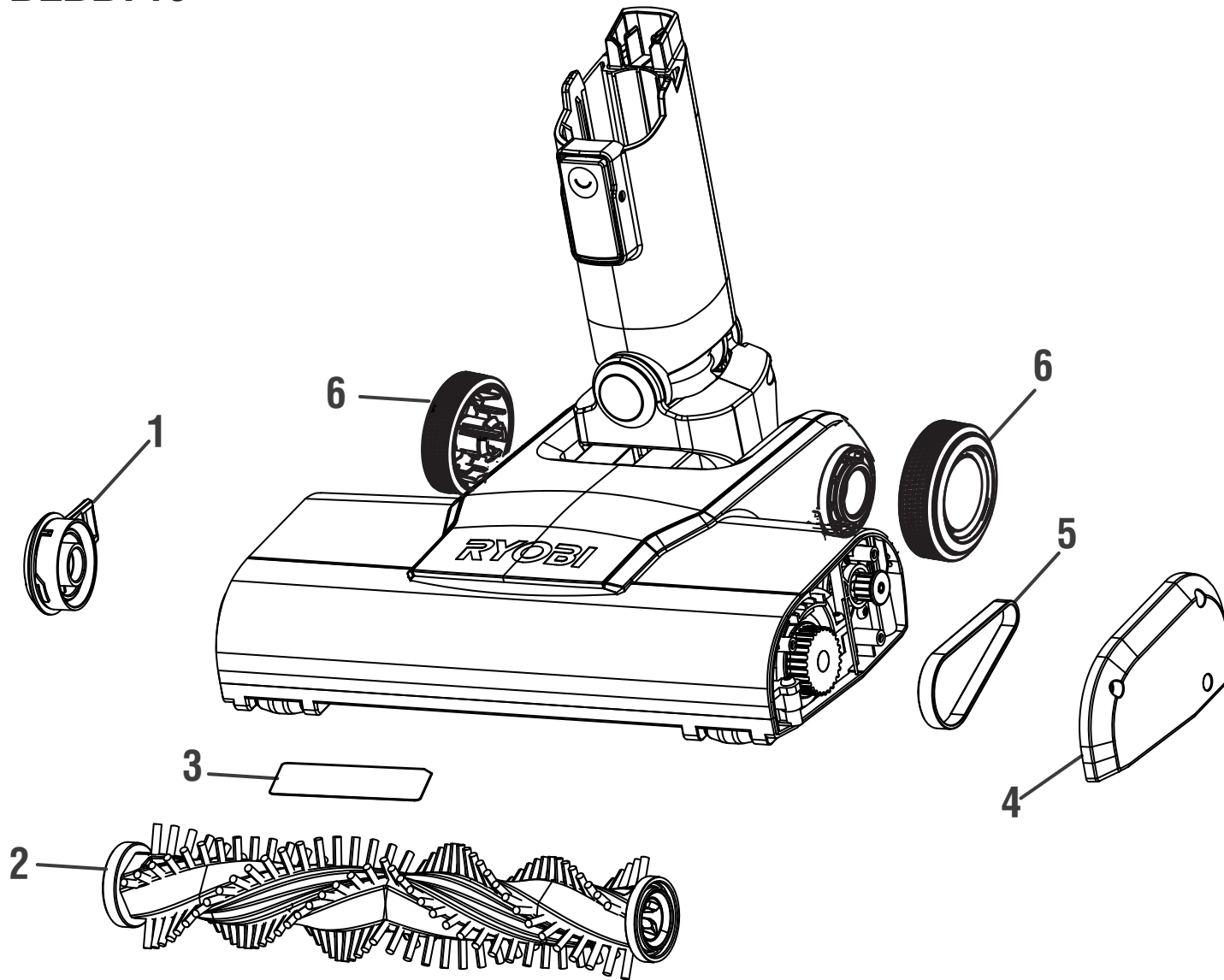
KEY NO.	PART NO.	DESCRIPTION	QTY.
10	941120979	Console Warning Label	1
11	CN-941124055	Data Label	1
	VN-941124222	Data Label	1
12	318135001	Beater Bar Assembly (PBLBB716)	1
	318135005	Beater Bar Assembly (PBLBB716)	1
13	318136001	Beater Bar Assembly (PBLBB717)	1
	318136004	Beater Bar Assembly (PBLBB717)	1
14	544997002	Dust Cup Gasket	1
	Not Shown:		
	998000855	Operator's Manual (Models PBLSV717/PBLBB717)	



PARTS LIST

KEY NO.	PART NO.	DESCRIPTION	QTY.
1	319844001	Brush Bar w/Bristle	1
2	319845001	Felt Brush Roller	1
3	319848001	Bristle Brushroll Lock Cap Assembly	1
4	544616001	Felt Brushroll Lock Cap	1

KEY NO.	PART NO.	DESCRIPTION	QTY.
5	566293001	Timing Belt	2
6	544596001	Belt Side Cover	1
7	941124058	Beater Bar Data Label	1
8	319496002	Wheel Assembly	2



PARTS LIST

KEY NO.	PART NO.	DESCRIPTION	QTY.
1	319847001	Bristle Brushroll Lock Cap Assembly	1
2	319809001	Bristle Brushroll Assembly	1
3	941124057	Data Label	1

KEY NO.	PART NO.	DESCRIPTION	QTY.
4	545830001	Belt Side Cover	1
5	903788001	Timing Belt	1
6	319496002	Wheel Assembly	2