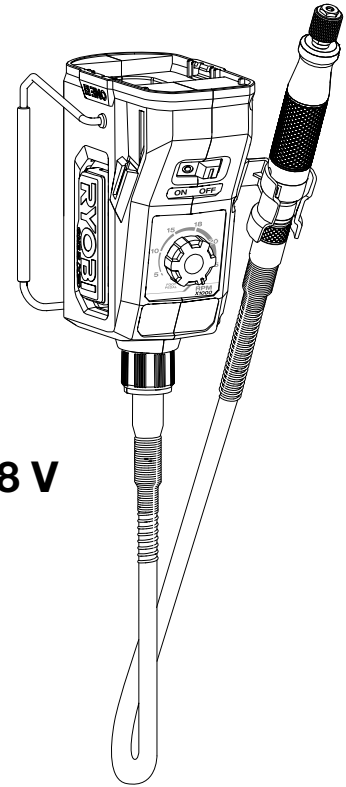




# OPERATOR'S MANUAL MANUEL D'UTILISATION MANUAL DEL OPERADOR

## 18V BRUSHLESS ROTARY TOOL OUTIL ROTATIF SANS BALAIS 18 V HERRAMIENTA GIRATORIA SIN ESCOBILLAS DE 18 V PBLRT01



**EN MEXICO:  
PARA MÁS INFORMACIÓN  
WWW.RYOBITOOLS.MX  
CENTROS DE SERVICIO  
800-843-1111**

**INCLUDES:** Rotary Tool Console, Premium Flexible Shaft, Pen Holder, Rotary Tool Accessories, Wrench, Operator's Manual

### TABLE OF CONTENTS

\*\*\*\*\*

- General Power Tool Safety Warnings ..... 2-3
- Rotary Tool Safety Warnings ..... 3-6
- Symbols..... 6-7
- Features..... 7
- Assembly..... 7
- Operation..... 8-11
- Maintenance..... 12
- Illustrations ..... 14-16
- Parts Ordering and Service .....Back page

**INCLUT:** Console de l'outil rotatif, premium arbre flexible, porte-crayon, rotary tool accessories, cle, manual del operator

### TABLE DES MATIÈRES

\*\*\*\*\*

- Avertissements de sécurité générales relatives aux outils électriques ..... 2-3
- Avertissements de sécurité relatifs de l'outil rotatif ..... 3-6
- Symboles..... 7
- Caractéristiques ..... 7
- Assemblage..... 8
- Utilisation ..... 8-12
- Entretien ..... 13
- Illustrations ..... 14-16
- Commande de pièces et dépannage .....Page arrière

**INCLUYE:** Consola de la herramienta rotatoria, premium tubo flexible, soporte de la pluma, rotary tool accessories, llave, manual del operador

### ÍNDICE DE CONTENIDO

\*\*\*\*\*

- Advertencias de seguridad para herramientas eléctrica ..... 2-3
- Advertencias de seguridad de herramienta rotatoria ..... 3-6
- Símbolos..... 7
- Características ..... 7
- Armado ..... 8
- Funcionamiento ..... 8-12
- Mantenimiento ..... 13
- Ilustraciones..... 14-16
- Pedidos de piezas y servicio ..... Pág. posterior

**⚠ WARNING:** To reduce the risk of injury, the user must read and understand the operator's manual before using this product.

**⚠ AVERTISSEMENT :** Pour réduire les risques de blessures, l'utilisateur doit lire et veiller à bien comprendre le manuel d'utilisation avant d'employer ce produit.

**⚠ ADVERTENCIA:** Para reducir el riesgo de lesiones, el usuario debe leer y comprender el manual del operador antes de usar este producto.

**SAVE THIS MANUAL FOR FUTURE REFERENCE**

**CONSERVER CE MANUEL POUR FUTURE RÉFÉRENCE**

**GUARDE ESTE MANUAL PARA FUTURAS CONSULTAS**

# GENERAL POWER TOOL SAFETY WARNINGS

## WARNING:

Read all safety warnings, instructions, illustrations and specifications provided with this power tool. Failure to follow all instructions listed below may result in electric shock, fire and/or serious injury.

Save all warnings and instructions for future reference. The term “power tool” in the warnings refers to your mains-operated (corded) power tool or battery-operated (cordless) power tool.

## WORK AREA SAFETY

- **Keep work area clean and well lit.** Cluttered or dark areas invite accidents.
- **Do not operate power tools in explosive atmospheres, such as in the presence of flammable liquids, gases or dust.** Power tools create sparks which may ignite the dust or fumes.
- **Keep children and bystanders away while operating a power tool.** Distractions can cause you to lose control.

## ELECTRICAL SAFETY

- **Power tool plugs must match the outlet. Never modify the plug in any way. Do not use any adapter plugs with earthed (grounded) power tools.** Unmodified plugs and matching outlets will reduce risk of electric shock.
- **Avoid body contact with earthed or grounded surfaces, such as pipes, radiators, ranges and refrigerators.** There is an increased risk of electric shock if your body is earthed or grounded.
- **Do not expose power tools to rain or wet conditions.** Water entering a power tool will increase the risk of electric shock.
- **Do not abuse the cord. Never use the cord for carrying, pulling or unplugging the power tool. Keep cord away from heat, oil, sharp edges or moving parts.** Damaged or entangled cords increase the risk of electric shock.
- **When operating a power tool outdoors, use an extension cord suitable for outdoor use.** Use of a cord suitable for outdoor use reduces the risk of electric shock.
- **If operating a power tool in a damp location is unavoidable, use a ground fault circuit interrupter (GFCI) protected supply.** Use of a GFCI reduces the risk of electric shock.

## PERSONAL SAFETY

- **Stay alert, watch what you are doing and use common sense when operating a power tool. Do not use a power tool while you are tired or under the influence of drugs, alcohol or medication.** A moment of inattention while operating power tools may result in serious personal injury.
- **Use personal protective equipment. Always wear eye protection.** Protective equipment such as dust mask, non-skid safety shoes, hard hat, or hearing protection used for appropriate conditions will reduce personal injuries.

- **Prevent unintentional starting. Ensure the switch is in the off-position before connecting to power source and/or battery pack, picking up or carrying the tool.** Carrying power tools with your finger on the switch or energizing power tools that have the switch on invites accidents.
- **Remove any adjusting key or wrench before turning the power tool on.** A wrench or a key left attached to a rotating part of the power tool may result in personal injury.
- **Do not overreach. Keep proper footing and balance at all times.** This enables better control of the power tool in unexpected situations.
- **Dress properly. Do not wear loose clothing or jewelry. Keep your hair and clothing away from moving parts.** Loose clothes, jewelry or long hair can be caught in moving parts.
- **If devices are provided for the connection of dust extraction and collection facilities, ensure these are connected and properly used.** Use of dust collection can reduce dust-related hazards.
- **Do not let familiarity gained from frequent use of tools allow you to become complacent and ignore tool safety principles.** A careless action can cause severe injury within a fraction of a second.
- **Do not wear loose clothing or jewelry.** Contain long hair. Loose clothes, jewelry, or long hair can be drawn into air vents.
- **Do not use on a ladder or unstable support.** Stable footing on a solid surface enables better control of the power tool in unexpected situations.

## POWER TOOL USE AND CARE

- **Do not force the power tool. Use the correct power tool for your application.** The correct power tool will do the job better and safer at the rate for which it was designed.
- **Do not use the power tool if the switch does not turn it on and off.** Any power tool that cannot be controlled with the switch is dangerous and must be repaired.
- **Disconnect the plug from the power source and/or remove the battery pack, if detachable, from the power tool before making any adjustments, changing accessories, or storing power tools.** Such preventive safety measures reduce the risk of starting the power tool accidentally.
- **Store idle power tools out of the reach of children and do not allow persons unfamiliar with the power tool or these instructions to operate the power tool.** Power tools are dangerous in the hands of untrained users.
- **Maintain power tools and accessories. Check for misalignment or binding of moving parts, breakage of parts and any other condition that may affect the power tool's operation. If damaged, have the power tool repaired before use.** Many accidents are caused by poorly maintained power tools.
- **Keep cutting tools sharp and clean.** Properly maintained cutting tools with sharp cutting edges are less likely to bind and are easier to control.

# GENERAL POWER TOOL SAFETY WARNINGS

- **Use the power tool, accessories and tool bits etc. in accordance with these instructions, taking into account the working conditions and the work to be performed.** Use of the power tool for operations different from those intended could result in a hazardous situation.
- **Keep handles and grasping surfaces dry, clean and free from oil and grease.** Slippery handles and grasping surfaces do not allow for safe handling and control of the tool in unexpected situations.

## BATTERY TOOL USE AND CARE

- **Recharge only with the charger specified by the manufacturer.** A charger that is suitable for one type of battery pack may create a risk of fire when used with another battery pack.
- **Use power tools only with specifically designated battery packs.** Use of any other battery packs may create a risk of injury and fire.
- **When battery pack is not in use, keep it away from other metal objects, like paper clips, coins, keys, nails, screws or other small metal objects, that can make a connection from one terminal to another.** Shorting the battery terminals together may cause burns or a fire.

- **Under abusive conditions, liquid may be ejected from the battery; avoid contact. If contact accidentally occurs, flush with water. If liquid contacts eyes, additionally seek medical help.** Liquid ejected from the battery may cause irritation or burns.
- **Do not use a battery pack or tool that is damaged or modified.** Damaged or modified batteries may exhibit unpredictable behavior resulting in fire, explosion or risk of injury.
- **Do not expose a battery pack or tool to fire or excessive temperature.** Exposure to fire or temperature above 265°F may cause explosion.
- **Follow all charging instructions and do not charge the battery pack or tool outside the temperature range specified in the instructions.** Charging improperly or at temperatures outside the specified range may damage the battery and increase the risk of fire.

## SERVICE

- **Have your power tool serviced by a qualified repair person using only identical replacement parts.** This will ensure that the safety of the power tool is maintained.
- **Never service damaged battery packs.** Service of battery packs should only be performed by the manufacturer or authorized service providers.

# ROTARY TOOL SAFETY WARNINGS

## SAFETY WARNINGS COMMON FOR GRINDING, SANDING, WIRE BRUSHING, POLISHING, CARVING OR ABRASIVE CUTTING-OFF OPERATIONS

- **This power tool is intended to function as a grinder, sander, wire brush, polisher, carving or cut-off tool. Read all safety warnings, instructions, illustrations and specifications provided with this power tool.** Failure to follow all instructions listed below may result in electric shock, fire and/or serious injury.
- **Do not use accessories which are not specifically designed and recommended by the tool manufacturer.** Just because the accessory can be attached to your power tool, it does not assure safe operation.
- **The rated speed of accessories must be at least equal to the operating speed setting marked on the power tool.** Accessories running faster than their rated speed can break and fly apart.
- **The outside diameter and the thickness of your accessory must be within the capacity rating of your power tool.** Incorrectly sized accessories cannot be adequately controlled.
- **The arbour size of wheels, sanding drums or any other accessory must properly fit the spindle or collet of the power tool.** Accessories that do not match the mounting

hardware of the power tool will run out of balance, vibrate excessively and may cause loss of control.

- **Mandrel mounted wheels, sanding drums, cutters or other accessories must be fully inserted into the collet or chuck.** If the mandrel is insufficiently held and/or the overhang of the wheel is too long, the mounted wheel may become loose and be ejected at high velocity.
- **Do not use a damaged accessory. Before each use inspect the accessory such as abrasive wheels for chips and cracks, sanding drum for cracks, tear or excess wear, wire brush for loose or cracked wires. If power tool or accessory is dropped, inspect for damage or install an undamaged accessory. After inspecting and installing an accessory, position yourself and bystanders away from the plane of the rotating accessory and run the power tool at maximum no-load speed for one minute.** Damaged accessories will normally break apart during this test time.
- **Wear personal protective equipment. Depending on application, use face shield, safety goggles or safety glasses. As appropriate, wear dust mask, hearing protectors, gloves and workshop apron capable of stopping small abrasive or workpiece fragments.** The eye protection must be capable of stopping flying debris generated by various operations. The dust mask or respirator must be capable of filtering particles generated by your operation. Prolonged exposure to high intensity noise may cause hearing loss.

# ROTARY TOOL SAFETY WARNINGS

- **Keep bystanders a safe distance away from work area. Anyone entering the work area must wear personal protective equipment.** Fragments of workpiece or of a broken accessory may fly away and cause injury beyond immediate area of operation.
- **Hold power tool by insulated gripping surfaces only, when performing an operation where the cutting accessory may contact hidden wiring.** Cutting accessory contacting a “live” wire may make exposed metal parts of the power tool “live” and could give the operator an electric shock.
- **Always hold the tool firmly in your hand(s) during the start-up.** The reaction torque of the motor, as it accelerates to full speed, can cause the tool to twist.
- **Use clamps to support workpiece whenever practical. Never hold a small workpiece in one hand and the tool in the other hand while in use.** Clamping a small workpiece allows you to use your hand(s) to control the tool. Round material such as dowel rods, pipes or tubing have a tendency to roll while being cut, and may cause the bit to bind or jump toward you.
- **Position the cord clear of the spinning accessory.** If you lose control, the cord may be cut or snagged and your hand or arm may be pulled into the spinning accessory.
- **Never lay the power tool down until the accessory has come to a complete stop.** The spinning accessory may grab the surface and pull the power tool out of your control.
- **After changing the bits or making any adjustments, make sure the collet nut, chuck or any other adjustment devices are securely tightened.** Loose adjustment devices can unexpectedly shift, causing loss of control, loose rotating components will be violently thrown.
- **Do not run the power tool while carrying it at your side.** Accidental contact with the spinning accessory could snag your clothing, pulling the accessory into your body.
- **Regularly clean the power tool’s air vents.** The motor’s fan will draw the dust inside the housing and excessive accumulation of powdered metal may cause electrical hazards.
- **Do not operate the power tool near flammable materials.** Sparks could ignite these materials.
- **Do not use accessories that require liquid coolants.** Using water or other liquid coolants may result in electrocution or shock.
- **The maximum recommended diameter of mounted wheels, threaded cones and plugs shall not exceed 2 in. (55 mm) and that the maximum recommended diameter of sanding accessories shall not exceed 3 in. (80 mm).**

## KICKBACK AND RELATED WARNINGS

Kickback is a sudden reaction to a pinched or snagged rotating wheel, sanding band, brush or any other accessory. Pinching or snagging causes rapid stalling of the rotating accessory which in turn causes the uncontrolled power tool to be forced in the direction opposite of the accessory’s rotation.

For example, if an abrasive wheel is snagged or pinched by the workpiece, the edge of the wheel that is entering into the pinch point can dig into the surface of the material causing the wheel

to climb out or kick out. The wheel may either jump toward or away from the operator, depending on direction of the wheel’s movement at the point of pinching. Abrasive wheels may also break under these conditions.

Kickback is the result of power tool misuse and/or incorrect operating procedures or conditions and can be avoided by taking proper precautions as given below.

- **Maintain a firm grip on the power tool and position your body and arm to allow you to resist kickback forces.** The operator can control torque reactions or kickback forces, if proper precautions are taken.
- **Use special care when working corners, sharp edges, etc. Avoid bouncing and snagging the accessory.** Corners, sharp edges or bouncing have a tendency to snag the rotating accessory and cause loss of control or kickback.
- **Do not attach a toothed saw blade.** Such blades create frequent kickback and loss of control.
- **Always feed the bit into the material in the same direction as the cutting edge is exiting from the material (which is the same direction as the chips are thrown).** Feeding the tool in the wrong direction causes the cutting edge of the bit to climb out of the work and pull the tool in the direction of this feed.
- **When using rotary files, cut-off wheels, high-speed cutters or tungsten carbide cutters, always have the work securely clamped.** These wheels will grab if they become slightly canted in the groove, and can kickback. When a cut-off wheel grabs, the wheel itself usually breaks. When a rotary file, high-speed cutter or tungsten carbide cutter grabs, it may jump from the groove and you could lose control of the tool.

## SAFETY WARNINGS SPECIFIC FOR GRINDING AND ABRASIVE CUTTING-OFF OPERATIONS:

- **Use only wheel types that are recommended for your power tool and only for recommended applications. For example: do not grind with the side of a cut-off wheel.** Abrasive cut-off wheels are intended for peripheral grinding, side forces applied to these wheels may cause them to shatter.
- **For threaded abrasive cones and plugs use only undamaged wheel mandrels with an unrelieved shoulder flange that are of correct size and length.** Proper mandrels will reduce the possibility of breakage.
- **Do not “jam” a cut-off wheel or apply excessive pressure. Do not attempt to make an excessive depth of cut.** Overstressing the wheel increases the loading and susceptibility to twisting or snagging of the wheel in the cut and the possibility of kickback or wheel breakage.
- **Do not position your hand in line with and behind the rotating wheel.** When the wheel, at the point of operation, is moving away from your hand, the possible kickback may propel the spinning wheel and the power tool directly at you.
- **When wheel is pinched, snagged or when interrupting a cut for any reason, switch off the power tool and hold**

# ROTARY TOOL SAFETY WARNINGS

the power tool motionless until the wheel comes to a complete stop. Never attempt to remove the cut-off wheel from the cut while the wheel is in motion otherwise kickback may occur. Investigate and take corrective action to eliminate the cause of wheel pinching or snagging.

- **Do not restart the cutting operation in the workpiece. Let the wheel reach full speed and carefully re-enter the cut.** The wheel may bind, walk up or kickback if the power tool is restarted in the workpiece.
- **Support panels or any oversized workpiece to minimize the risk of wheel pinching and kickback.** Large workpieces tend to sag under their own weight. Supports must be placed under the workpiece near the line of cut and near the edge of the workpiece on both sides of the wheel.
- **Use extra caution when making a “pocket cut” into existing walls or other blind areas.** The protruding wheel may cut gas or water pipes, electrical wiring or objects that can cause kickback.

## SAFETY WARNINGS SPECIFIC FOR WIRE BRUSHING OPERATIONS:

- **Be aware that wire bristles are thrown by the brush even during ordinary operation. Do not overstress the wires by applying excessive load to the brush.** The wire bristles can easily penetrate light clothing and/or skin.
- **Allow brushes to run at operating speed for at least one minute before using them. During this time no one is to stand in front or in line with the brush.** Loose bristles or wires will be discharged during the run-in time.
- **Direct the discharge of the spinning wire brush away from you.** Small particles and tiny wire fragments may be discharged at high velocity during the use of these brushes and may become imbedded in your skin.

## ADDITIONAL SAFETY RULES

- **WARNING - Some dust created by power sanding, sawing, grinding, drilling, and other common rotary tool activities contains chemicals known to cause cancer, birth defects or other reproductive harm.** Some examples of these chemicals are:
  - Lead from lead-based paints,
  - Crystalline silica from bricks and cement and other masonry products, and
  - Arsenic and chromium from chemically treated lumber.
- Your risk from these exposures varies, depending on how often you do this type of work. To reduce your exposure to these chemicals: work in a well ventilated area, and work with approved safety equipment, such as those dust masks that are specially designed to filter out microscopic particles.
- **Always use proper guard with grinding wheel.** A guard protects operator from broken wheel fragments.
- **Know your power tool. Read operator’s manual carefully. Learn its applications and limitations, as well as the specific potential hazards related to this tool.** Following this rule will reduce the risk of electric shock, fire, or serious injury.




- **Always wear eye protection with side shields marked to comply with ANSI Z87.1.** Following this rule will reduce the risk of serious personal injury.
- **Protect your lungs. Wear a face or dust mask if the operation is dusty.** Following this rule will reduce the risk of serious personal injury.
- **Protect your hearing. Wear hearing protection during extended periods of operation.** Following this rule will reduce the risk of serious personal injury.
- **This product is not intended for use with pet grooming, dental work, or any human or veterinarian medical applications.**
- **Keep pets away while operating this tool.**
- **Check damaged parts. Before further use of the tool, a guard or other part that is damaged should be carefully checked to determine that it will operate properly and perform its intended function. Check for alignment of moving parts, binding of moving parts, breakage of parts, mounting, and any other conditions that may affect its operation. A guard or other part that is damaged should be properly repaired or replaced by an authorized service center.** Following this rule will reduce the risk of shock, fire, or serious injury.
- **Inspect for and remove all nails from lumber before using this tool.** Following this rule will reduce the risk of serious personal injury.
- **Do not grind or sand heat flammable materials.** Sparks from the wheel could ignite these materials.
- **This product is not intended for use as a dental drill or in human or veterinary medical applications.** Serious injury may result.
- **When using steel screws, cut-off wheels, high speed cutters, or tungsten carbide cutters, always have the work securely clamped. Never attempt to hold the work with one hand while using any of these accessories.**
- **Battery tools do not have to be plugged into an electrical outlet; therefore, they are always in operating condition. Be aware of possible hazards when not using your battery tool or when changing accessories.** Following this rule will reduce the risk of electric shock, fire, or serious personal injury.
- **Do not place battery tools or their batteries near fire or heat.** This will reduce the risk of explosion and possibly injury.
- **Do not crush, drop or damage battery pack. Do not use a battery pack or charger that has been dropped or received a sharp blow.** A damaged battery is subject to explosion. Properly dispose of a dropped or damaged battery immediately.
- **Batteries can explode in the presence of a source of ignition, such as a pilot light.** To reduce the risk of serious personal injury, never use any cordless product in the presence of open flame. An exploded battery can propel debris and chemicals. If exposed, flush with water immediately.

# ROTARY TOOL SAFETY WARNINGS







- Under extreme usage or temperature conditions, battery leakage may occur. If liquid comes in contact with your skin, wash immediately with soap and water. If liquid gets into your eyes, flush them with clean water for at least 10 minutes, then seek immediate medical attention. Following this rule will reduce the risk of serious personal injury.
- For organic material, a flex shaft accessory is required. Proper cleaning and sanitizing is required after use. Any material including organic material cut or altered by this tool is not intended nor suitable for human consumption.
- Save these instructions. Refer to them frequently and use them to instruct others who may use this product. If you loan someone this product, loan them these instructions also.

## SYMBOLS

The following signal words and meanings are intended to explain the levels of risk associated with this product.

SYMBOL	SIGNAL	MEANING
	<b>DANGER:</b>	Indicates a hazardous situation, which, if not avoided, will result in death or serious injury.
	<b>WARNING:</b>	Indicates a hazardous situation, which, if not avoided, could result in death or serious injury.
	<b>CAUTION:</b>	Indicates a hazardous situation, that, if not avoided, may result in minor or moderate injury.
	<b>NOTICE:</b>	(Without Safety Alert Symbol) Indicates information considered important, but not related to a potential injury (e.g. messages relating to property damage).

Some of the following symbols may be used on this product. Please study them and learn their meaning. Proper interpretation of these symbols will allow you to operate the product better and safer.

SYMBOL	NAME	DESIGNATION/EXPLANATION
	Safety Alert	Indicates a potential personal injury hazard.
	Read Operator's Manual	To reduce the risk of injury, user must read and understand operator's manual before using this product.
	Eye and Breathing Protection	Always wear eye protection with side shields marked to comply with ANSI Z87.1. Breathing protection may also be required depending on the type of attachment used and as prescribed elsewhere in this Operator's Manual.
	Wet Conditions Alert	Do not expose to rain or use in damp locations.
	Long Hair	Secure long hair above shoulder level to prevent entanglement in moving parts.
	Recycle Symbol	This product uses lithium-ion (Li-ion) batteries. Local, state or federal laws may prohibit disposal of batteries in ordinary trash. Consult your local waste authority for information regarding available recycling and/or disposal options.
V	Volts	Voltage
min	Minutes	Time

# SYMBOLS

Some of the following symbols may be used on this product. Please study them and learn their meaning. Proper interpretation of these symbols will allow you to operate the product better and safer.

SYMBOL	NAME	DESIGNATION/EXPLANATION
==	Direct Current	Type or a characteristic of current
n	Rated Speed	Rotational speed
.../min	Per Minute	Revolutions, strokes, surface speed, orbits etc., per minute

# FEATURES

## PRODUCT SPECIFICATIONS

Quick-Change Collet ..... 1/8 in. Universal  
 Rated Speed ..... 1,000 - 25,000/min (RPM)  
 Foot Pedal Capability ..... Yes

# ASSEMBLY

## UNPACKING

This product requires assembly.

- Carefully remove the tool and any accessories from the box. All items listed in the **Includes** section must be included at the time of purchase.

### WARNING:

Items in this *Assembly* section are not assembled to the product by the manufacturer and require customer installation. Use of a product that may have been improperly assembled could result in serious personal injury.

- If any parts are damaged or missing, please call 1-800-525-2579 for assistance.

### WARNING:

If any parts are damaged or missing do not operate this product until the parts are replaced. Use of this product with damaged or missing parts could result in serious personal injury.

### WARNING:

Do not attempt to modify this product or create accessories or attachments not recommended for use with this product. Any such alteration or modification is misuse and could result in a hazardous condition leading to possible serious personal injury.

## CONNECTING THE PEN HOLDER AND FLEX SHAFT TO THE ROTARY TOOL CONSOLE

See Figure 1, page 14.

The pen holder can be assembled on the left or right, depending on the user's preference.

- Slide the flange on the pen holder into the opening on the side of the rotary tool console until it is fully seated.
  - NOTE:** Once fully seated, the tab on the flange will snap into the housing, preventing the pen holder from being removed.
- Place the collar of the flex shaft onto the threaded outlet on the rotary tool console.
- Turn the collar clockwise and tighten securely.

# OPERATION

## **WARNING:**

Do not allow familiarity with this product to make you careless. Remember that a careless fraction of a second is sufficient to inflict serious injury.

## **WARNING:**

Always remove battery pack from the tool when you are assembling parts, making adjustments, changing accessories, cleaning, or when not in use. Removing battery pack will prevent accidental starting that could cause serious personal injury.

## **WARNING:**

Always wear eye protection with side shields marked to comply with ANSI Z87.1. Hearing protection may also be required depending on the type of attachment used and as prescribed elsewhere in this Operator's Manual. Failure to do so could result in objects being thrown into your eyes and other possible serious injuries.

## **WARNING:**

Do not use any attachments or accessories not recommended by the manufacturer of this product. The use of attachments or accessories not recommended can result in serious personal injury.

## **WARNING:**

Before each use, make sure the pen handle is secured to the flex shaft. If necessary, press the pen handle onto the shaft to ensure that the handle is seated fully flush against the flex shaft. Failure to secure the handle could cause the handle to fall off the flex shaft, exposing the rotating spindle and resulting in serious personal injury. During use, periodically check to ensure the pen handle remains secured to the flex shaft.

## **WARNING:**

The spindle will continue to rotate when the battery pack is installed and the ON/OFF switch is in the ON position. Failure to secure the pen handle onto the flex shaft could result in contact with the rotating spindle, resulting in serious personal injury.

## **NOTICE:**

To prevent damage to the spindle or spindle lock, always allow motor to come to a complete stop before engaging the spindle lock.

## **APPLICATIONS**

You may use this product for the purposes listed below:

- Carving, engraving, etching, polishing, cleaning, removing rust, sanding, cutting, grinding, sharpening, drilling, and routing

## **HANGING THE ROTARY TOOL**

### **WARNING:**

Do not use the tool hanger to hang the tool from your body. Do not suspend the tool overhead. Suspend only from stable and secure locations.

### **WARNING:**

Always hold the hand piece firmly in your hand. To avoid serious injury, do not mount the flex shaft hand piece into any hobby station.

- Turn the tool off and remove accessories.
- Swing the tool hanger out and hang the tool on a suitable, stable structure.
- To mount the rotary tool console, use the key hole hanging feature. Screws should be installed so that the center distance is 4 in.

## **INSTALLING/REMOVING BATTERY PACK**

See Figure 2, page 15.

### **To install:**

- Insert the battery pack.
- Make sure the latches on each side of the battery pack snap into place and the battery pack is secured in the product before beginning operation.

### **To remove:**

- Depress the latches on each side of the battery pack.

For complete charging instructions, see the operator's manuals for your battery pack and charger.

### **WARNING:**

Battery products are always in operating condition. Therefore, the switch should always be locked when not in use or carrying at your side.



# OPERATION

## QUICK-CHANGE COLLET

See Figure 3, page 15.

**NOTE:** The tool ships with a preinstalled collet that is machined to precision tolerances to fit accessories with 1/8 in. diameter shanks. When installed, the quick change collet allows the user to change accessories without tools and without removing the collet from the shaft. The quick change collet is not compatible with 1/16" in. shanks.

### To remove/install the quick change collet:

- Remove the battery pack from the tool.
- Depress and hold the spindle lock button and rotate the shaft by hand until the spindle lock engages the shaft, preventing further rotation.
- With the spindle lock engaged, place the included 3/8 in. wrench on the bottom threaded end of the quick-change collet and turn counterclockwise to loosen. Continue turning counterclockwise to remove the collet from the tool.
- Remove the quick-change collet.
- **To install**, engage the spindle lock. Place the quick-change collet on the shaft and begin threading on by hand until there is resistance. Then use the included 3/8 in. wrench on the bottom threaded end of the collet and rotate clockwise until tightly secured.

### **WARNING:**

Always use the collet which matches the shank size of the accessory you plan to use. Never force a large diameter shank into a collet. The accessory should fit smoothly into the collet, but you should be able to tighten the accessory firmly and securely with the quick-change collet.

## INSTALLING/REMOVING ACCESSORIES

See Figure 4, page 15.

### **WARNING:**

To avoid serious personal injury, never use a router bit in the flex shaft attachment.

### To install:

- Remove the battery pack from the tool.
- Choose an accessory that fits the collet and is suitable for the application you are attempting.
- Ensure the quick-change collet is securely installed on the shaft.
- While depressing the spindle lock, use your hand to loosen the collet by rotating the sleeve counterclockwise.
- Insert the shank of the accessory into the collet until the shank bottoms out, then pull it out 1/16 in. to allow for expansion when the accessory gets hot.

- Rotate the collet sleeve clockwise until clicking stops and the accessory shank is gripped by the collet.

**NOTE:** If sleeve cannot be tightened or loosened sufficiently by hand, use the included 3/8 in. collet wrench on the top hexed area of the collet. Turn clockwise to tighten or counterclockwise to loosen.

### To remove:

- Remove the battery pack from the tool.
- Engage the spindle lock.
- Turn the collet sleeve counterclockwise to loosen.
- Remove the accessory.

**NOTE:** When trying to remove an accessory, if the quick-change collet begins to unthread from the tool, repeat the install process.

### **DANGER:**

If you are changing an accessory immediately after use, be careful not to touch the collet or the accessory with your hands or fingers. You will get burned because of the heat build-up from operation. Always use the wrench provided or allow the collet to cool.

## USING MANDRELS

See Figure 5, page 15.

The most common types of mandrel to use with this tool include the standard mandrel which is used with cut-off discs, grinding wheels, emery wheels, and cut-off wheels. Screw mandrels are used with polishing wheels and polishing drums. Drum mandrels are used with sanding drums.

### To install:

- Remove the battery pack.
- Install the mandrel.

### If using the standard mandrel:

- Depress and hold the spindle lock button and rotate the mandrel by hand until the spindle lock engages preventing further rotation.
- Insert the slot end of the provided wrench into the slot on top of the mandrel and unscrew.
- Remove mandrel screw and washer.
- Place desired accessory over mandrel shaft and align accessory hole with mandrel hole.
- Insert mandrel screw with washer through the accessory and mandrel shaft holes.  
**NOTE:** The mandrel washer should be placed between the mandrel screw and the accessory.
- Tighten using provided wrench.

# OPERATION

## If using the screw mandrel:

- Align desired accessory hole with mandrel screw head.
- Screw accessory onto mandrel by twisting clockwise until secure.

## If using the drum mandrel:

- Align appropriate sized sanding drum over mandrel and push down to completely cover drum end of mandrel.  
**NOTE:** If necessary, tighten the screw on the drum mandrel head to expand the drum and securely hold the sanding drum in place.

## BALANCING ACCESSORIES

For precision work, it is important that all accessories be properly balanced. To balance an accessory, slightly loosen the quick-change collet and give the accessory or collet a 1/4 in. turn. You should be able to tell by the sound and feel if the accessory is running in balance. Continue adjusting in this fashion until the best balance is achieved. Replace accessories if they become damaged or unbalanced.

## TURNING THE ROTARY TOOL ON/OFF

See Figure 6, page 15.

- To turn the tool **ON**: move the ON/OFF switch to the ON position.
- To turn the tool **OFF**: move the ON/OFF switch to the OFF position.

## SELECTING THE RIGHT SPEED

See Figure 6, page 15.

To increase the tool's speed, rotate the speed control dial clockwise. To decrease the speed, rotate the dial counterclockwise. To control the speed with a foot pedal (not included), rotate the dial completely counterclockwise.

The rotary tool has a speed range of 1,000-25,000 RPM. To select the right speed for each job, use a practice piece of material. Vary speed to find the best speed for the accessory you are using and the job to be done.

Use the speed control dial to set the best speed for the job. When the dial is set to the maximum setting, approximately 25,000 RPM is achieved.

Refer to the **Application Speed Recommendations** table to determine the proper speed based on the material being worked and the type of accessory being used.

## SLOWER SPEEDS

Certain materials, some plastics for example, require a relatively slow speed because the friction of the tool generates heat and causes the plastic to melt at high speed.

Slow speeds (15,000 RPM or less) are usually best for polishing operations using the polishing accessories. They may also be best for working on delicate projects, delicate wood carving, and fragile model parts.

Higher speeds are better for carving, cutting, and shaping wood.

Hardwoods, metals, and glass require high speed operation. Drilling should also be done at high speeds.

To determine the optimum operational speed for different materials and accessories, refer to the **Application Speed Recommendations** table. Look this table over and become familiar with it.

The best way to determine the correct speed for work on any material is to practice for a few minutes on a piece of scrap, even after referring to the table. You can quickly learn that a slower or faster speed is more effective just by observing what happens when you make a pass or two at different speeds.

When working with a scrap piece of plastic, start at a slow rate of speed and increase the speed until you observe whether the plastic is melting at the point of contact; reduce the speed slightly to get optimum working speed without melting the workpiece.

### NOTE:

- Plastic and materials that could melt at low temperatures should be cut at low speeds.
- Soft wood should be cut at high speed.
- Aluminum, tin, and copper, lead, and zinc alloys may be cut at any speed, depending on the type of cutting being done. Use paraffin or other suitable lubricant on the cutter to prevent the cut material from adhering to the cutter teeth.

## USING A FOOT PEDAL (NOT INCLUDED)

See Figures 7 - 8, pages 15 and 16.

### To install a foot pedal (not included):

- Turn the rotary tool off.
- Open the foot pedal port cover on the front of the rotary tool console.
- Insert the foot pedal cord into the foot pedal port on the rotary tool console as shown. Route cord and place the pedal cautiously to avoid trip or snag hazards.

### To use a foot pedal (not included):

- Turn the rotary tool on.
- Rotate the speed control dial fully counterclockwise to the "foot pedal" position.
- Follow the instructions in the RYOBI foot pedal operator's manual to use the foot pedal.

## OPERATING THE ROTARY TOOL

See Figure 9, page 16.

### Learning to use the rotary tool:

- Hold the tool in your hand and get used to its weight, balance, and the taper of the housing. This taper permits the tool to be grasped in a "pencil grip" or a "golf grip" method.

# OPERATION

- Examine the rotary tool accessories carefully. Damaged accessories can fly apart as they come up to speed and should not be used. The use of damaged accessories can result in serious personal injury.
- Practice on scrap materials first to see how the tool operates. Keep in mind that the work is done by the speed of the tool and by the accessory in the collet. You should not lean on or push the tool into the work.

It is best to make a series of passes with the tool rather than attempt to do all the work in one pass. To make a cut, pass the tool back and forth over the work like you would a small paint brush. Cut a little material on each pass until you reach the desired depth. For most work, a gentle touch is best; you will have greater control, make fewer errors, and get the most efficient work out of the accessory.

For the best control in close work, grip the tool like a pencil between your thumb and forefinger.

A “golf grip” method of holding the tool is used for operations such as grinding a flat surface.

## To operate the rotary tool:

- Secure all work in a vise or clamp to a workbench to prevent it from moving under the tool.
- Hold the tool in front and away from you, keeping the tool accessory clear of the workpiece.
- Turn on the tool and let the motor and accessory build up to full speed.
- Lower the tool gradually until the accessory contacts the workpiece.
- Move the tool continuously at a steady, consistent pace.
- Use just enough pressure to keep the tool from chattering or bouncing.

**NOTE:** Heavy pressure will decrease the tool’s speed and put a strain on the motor. The weight of the tool alone is adequate for most jobs.

- Lift the tool away from the workpiece before turning off the tool.

## APPLICATION SPEED RECOMMENDATIONS\*

Type of Accessory	Soft Wood	Hard Wood	Laminates Plastics	Steel	Aluminum, Brass, Etc.	Shell/ Stone	Ceramic	Glass
<b>Cut-off Discs</b>	15-35K	15-35K	5-15K	35K	35K	N/A	N/A	N/A
<b>Fiberglass Cut-off Wheel</b>	15-35K	15-35K	5-15K	35K	35K	N/A	N/A	N/A
<b>Sanding Drums</b>	15-35K	15-35K	5-15K	15-35K	15-35K	15-35K	N/A	N/A
<b>Felt Polishing Wheels</b>	5-15K	5-15K	5-15K	5-15K	5-15K	5-15K	5-15K	5-15K
<b>Aluminum Oxide Grinding Stones</b>	15-35K	15-35K	5-35K	15-35K	15-35K	N/A	N/A	N/A
<b>Silicon Carbide Grinding Stone</b>	N/A	N/A	N/A	15-35K	15-35K	15-35K	5-35K	N/A
<b>Drill Bit</b>	35K	35K	15-35K	35K	35K	—	—	—
<b>Drywall Cutting Bit</b>	35K (Drywall only)							

\*The settings provided in the chart are recommendations for operating ranges for best performance.

# MAINTENANCE

## **WARNING:**

When servicing, use only identical replacement parts. Use of any other parts could create a hazard or cause product damage.

## **WARNING:**

Always wear eye protection with side shields marked to comply with ANSI Z87.1. Failure to do so could result in objects being thrown into your eyes resulting in possible serious injury.

## **WARNING:**

To avoid serious personal injury, always remove the battery pack from the product when cleaning or performing any maintenance.

## **WARNING:**

Before each use, make sure the pen handle is secured to the flex shaft. If necessary, press the pen handle onto the shaft to ensure that the handle is seated fully flush against the flex shaft. Failure to secure the handle could cause the handle to fall off the flex shaft, exposing the rotating spindle and resulting in serious personal injury. During use, periodically check to ensure the pen handle remains secured to the flex shaft.

## **WARNING:**

The spindle will continue to rotate when the battery pack is installed and the ON/OFF switch is in the ON position. Failure to secure the pen handle onto the flex shaft could result in contact with the rotating spindle, resulting in serious personal injury.

## **GENERAL MAINTENANCE**

Avoid using solvents when cleaning plastic parts. Most plastics are susceptible to damage from various types of commercial solvents and may be damaged by their use. Use clean cloths to remove dirt, dust, oil, grease, etc.

## **WARNING:**

Do not at any time let brake fluids, gasoline, petroleum-based products, penetrating oils, etc., come in contact with plastic parts. Chemicals can damage, weaken or destroy plastic which could result in serious personal injury.

**NOTE: ILLUSTRATIONS START ON PAGE 14 AFTER FRENCH AND SPANISH LANGUAGE SECTIONS.**

# RÈGLES DE SÉCURITÉ GÉNÉRALES RELATIVES AUX OUTILS ÉLECTRIQUES

## AVERTISSEMENT :

Lire les avertissements de sécurité, les instructions et les précisions et consulter les illustrations fournis avec cet outil électrique. Le fait de ne pas se conformer à l'ensemble des consignes présentées ci-dessous risque d'entraîner des décharges électriques, un incendie et/ou des blessures graves.

Conserver les avertissements et les instructions à des fins de référence ultérieure. Le terme « outil électrique », utilisé dans tous les avertissements ci-dessous désigne tout outil fonctionnant sur secteur (câblé) ou sur piles (sans fil).

## SÉCURITÉ DU LIEU DE TRAVAIL

- **Garder le lieu de travail propre et bien éclairé.** Les endroits encombrés ou sombres sont propices aux accidents.
- **Ne pas utiliser d'outils électriques dans des atmosphères explosives, par exemple en présence de liquides, gaz ou poussières inflammables.** Les outils électriques produisent des étincelles risquant d'enflammer les poussières ou vapeurs.
- **Garder les enfants et badauds à l'écart pendant l'utilisation d'un outil électrique.** Les distractions peuvent causer une perte de contrôle.

## SÉCURITÉ ÉLECTRIQUE

- **Les fiches des outils électriques doivent correspondre à la prise secteur utilisée. Ne jamais modifier la fiche, de quelque façon que ce soit. Ne jamais utiliser d'adaptateurs de fiche avec des outils mis à la terre.** Les fiches et prises non modifiées réduisent le risque de choc électrique.
- **Éviter tout contact du corps avec des surfaces mises à la terre, telles que tuyaux, radiateurs, cuisinières et réfrigérateurs.** Le risque de choc électrique est accru lorsque le corps est mis à la terre.
- **Ne pas exposer les outils électriques à l'eau ou l'humidité.** La pénétration d'eau dans ces outils accroît le risque de choc électrique.
- **Ne pas maltraiter le cordon d'alimentation. Ne jamais utiliser le cordon d'alimentation pour transporter l'outil et ne jamais débrancher ce dernier en tirant sur le cordon. Garder le cordon à l'écart de la chaleur, de l'huile, des objets tranchants et des pièces en mouvement.** Un cordon endommagé ou emmêlé accroît le risque de choc électrique.
- **Pour les travaux à l'extérieur, utiliser un cordon spécialement conçu à cet effet.** Utiliser un cordon conçu pour l'usage extérieur pour réduire les risques de choc électrique.
- **S'il est nécessaire d'utiliser l'outil électrique dans un endroit humide, employer un dispositif interrupteur de défaut à la terre (GFCI).** L'utilisation d'un GFCI réduit le risque de décharge électrique.

## SÉCURITÉ PERSONNELLE

- **Rester attentif, prêter attention au travail et faire preuve de bon sens lors de l'utilisation de tout outil électrique. Ne pas utiliser cet outil en état de fatigue ou sous l'influence de l'alcool, de drogues ou de médicaments.** Un moment d'inattention pendant l'utilisation d'un outil électrique peut entraîner des blessures graves.
- **Utiliser l'équipement de sécurité. Toujours porter une protection oculaire.** L'équipement de sécurité, tel qu'un masque filtrant, de chaussures de sécurité, d'un casque ou d'une protection auditive, utilisé dans des conditions appropriées réduira le risque de blessures.
- **Éviter les démarrages accidentels. S'assurer que le commutateur est en position d'arrêt avant de brancher l'outil.** Porter un outil avec le doigt sur son commutateur ou brancher un outil dont le commutateur est en position de marche peut causer un accident.
- **Retirer les clés de réglage avant de mettre l'outil en marche.** Une clé laissée sur une pièce rotative de l'outil peut causer des blessures.
- **Ne pas travailler hors de portée. Toujours se tenir bien campé et en équilibre.** Ceci permettra de mieux contrôler l'outil en cas de situation imprévue.
- **Porter une tenue appropriée. Ne porter ni vêtements amples, ni bijoux. Garder les cheveux et les vêtements à l'écart des pièces en mouvement.** Les vêtements amples, bijoux et cheveux longs peuvent se prendre dans les pièces en mouvement.
- **Si les outils sont équipés de dispositifs de dépoussiérage, s'assurer qu'ils sont connectés et correctement utilisés.** L'usage de ces dispositifs de dépoussiérage peut réduire les dangers présentés par la poussière.
- **Malgré votre expérience acquise par l'utilisation fréquente des outils, soyez toujours vigilant et respectez les principes de sécurité relatifs aux outils.** Il s'agit d'une fraction de seconde pour qu'un geste irréfléchi puisse causer de graves blessures.
- **Ne porter ni vêtements amples, ni bijoux. Attacher ou couvrir les cheveux longs.** Les vêtements amples, bijoux et cheveux longs peuvent se prendre dans les ouïes d'aération.
- **Ne pas utiliser l'outil sur une échelle ou un support instable.** Une bonne tenue et un bon équilibre permettent de mieux contrôler l'outil en cas de situation imprévue.

## UTILISATION ET ENTRETIEN DES OUTILS ÉLECTRIQUES

- **Ne pas forcer l'outil. Utiliser l'outil approprié pour l'application.** Un outil approprié exécutera le travail mieux et de façon moins dangereuse s'il est utilisé dans les limites prévues.
- **Ne pas utiliser l'outil si le commutateur ne permet pas de le mettre en marche ou de l'arrêter.** Tout outil qui ne peut pas être contrôlé par son commutateur est dangereux et doit être réparé.

# RÈGLES DE SÉCURITÉ GÉNÉRALES RELATIVES AUX OUTILS ÉLECTRIQUES

- **Débrancher l'outil et/ou retirer le bloc-piles avant d'effectuer des réglages, de changer d'accessoire ou de remiser l'outil.** Ces mesures de sécurité préventives réduisent les risques de démarrage accidentel de l'outil.
- **Ranger les outils motorisés hors de la portée des enfants et ne laisser personne n'étant pas familiarisé avec l'outil ou ces instructions utiliser l'outil.** Dans les mains de personnes n'ayant pas reçu des instructions adéquates, les outils sont dangereux.
- **Entretenir les outils motorisés. Vérifier qu'aucune pièce mobile n'est mal alignée ou bloquée, qu'aucune pièce n'est brisée et s'assurer qu'aucun autre problème ne risque d'affecter le bon fonctionnement de l'outil. En cas de dommages faire réparer l'outil avant de l'utiliser de nouveau.** Beaucoup d'accidents sont causés par des outils mal entretenus.
- **Garder les outils bien affûtés et propres.** Des outils correctement entretenus et dont les tranchants sont bien affûtés risquent moins de se bloquer et sont plus faciles à contrôler.
- **Utiliser l'outil, les accessoires et embouts, etc. conformément à ces instructions pour les applications pour lesquelles ils sont conçus, en tenant compte des conditions et du type de travail à exécuter.** L'usage d'un outil motorisé pour des applications pour lesquelles il n'est pas conçu peut être dangereux.
- **Gardez les poignées et les surfaces de prise sèches, propres et exemptes d'huile et de graisse.** Des poignées et des surfaces de prise glissantes empêchent la manipulation et le contrôle sécuritaires de l'outil dans des circonstances imprévues.
- **Utiliser exclusivement le bloc-pile spécifiquement indiqué pour l'outil.** L'usage de tout autre bloc peut créer un risque de blessures et d'incendie.
- **Lorsque le bloc-piles n'est pas en usage, le garder à l'écart d'articles tels qu'attaches trombones, pièces de monnaie, clous, vis ou autres petits objets métalliques risquant d'établir le contact entre les deux bornes.** La mise en court-circuit des bornes de piles peut causer des étincelles, des brûlures ou un incendie.
- **En cas d'usage abusif, du liquide peut s'échapper des piles. Éviter tout contact avec ce liquide. En cas de contact accidentel, rincer immédiatement les parties atteintes avec de l'eau. En cas d'éclaboussure dans les yeux consulter un médecin.** Le liquide s'échappant des piles peut causer des irritations ou des brûlures.
- **Ne pas utiliser un bloc-piles ou un outil endommagé ou modifié.** Les piles endommagées ou modifiées peuvent produire un comportement imprévisible pouvant provoquer un incendie, une explosion ou des blessures.
- **Ne pas exposer le bloc-piles ou l'outil près d'un incendie ou à une température extrême.** L'exposition à un incendie ou à une température supérieure à 130°C (265°F) représente un risque d'explosion.
- **Suivre toutes les instructions afférentes à la recharge et ne pas recharger le bloc-piles ou l'outil hors des températures spécifiées dans les instructions.** Une recharge incorrecte ou hors des températures spécifiées peut endommager la pile et augmenter les risques de feu.

## UTILISATION ET ENTRETIEN DE LA PILE

- **Ne recharger qu'avec l'appareil spécifié par le fabricant.** Un chargeur approprié pour un type de pile peut créer un risque d'incendie s'il est utilisé avec un autre type de pile.

## DÉPANNAGE

- **Les réparations doivent être confiées à un technicien qualifié, utilisant exclusivement des pièces identiques à celles d'origine.** Ceci assurera le maintien de la sécurité de l'outil.
- **Ne réparez jamais de blocs-piles endommagés.** Seuls le fabricant et les fournisseurs de service autorisés doivent effectuer la réparation ou l'entretien des blocs-piles.

# AVERTISSEMENTS DE SÉCURITÉ RELATIFS DE L'OUTIL ROTATIF

## RÈGLES DE SÉCURITÉ GÉNÉRALES POUR LE MEULAGE, PONÇAGE, BROSSAGE MÉTALLIQUE, POLISSAGE DES PIÈCES, LE GRAVER OU TRONÇONNAGE À LA MEULE

- **Cet outil électrique est conçu pour servir de meuleuse, de ponceuse, de brosse métallique, de polisseuse, de d'outil à ciseler ou d'outil tronçonnage. Consulter tous les avertissements et toutes les instructions, les illustrations et les précisions fournis avec cet outil électrique.** Ne pas suivre l'ensemble des instructions décrites ci-dessous peut entraîner une électrocution, un incendie ou des blessures graves.
- **Ne pas utiliser des accessoires qui ne sont pas spécialement conçus pour le modèle d'outil ou qui ne sont pas recommandés par le fabricant.** Le simple fait qu'un accessoire peut s'ajuster sur l'outil électrique ne signifie pas qu'il peut être utilisé en toute sécurité.
- **La vitesse nominale des accessoires doit au moins être égale à la vitesse d'opération indiquée sur l'outil électrique.** Les accessoires qui sont utilisés à une vitesse supérieure à leur vitesse nominale peuvent se briser et se détacher.
- **Le diamètre extérieur et l'épaisseur de l'accessoire doivent être conformes à la capacité de l'outil électrique.** Il est impossible de contrôler adéquatement un accessoire de dimension inappropriée.

# AVERTISSEMENTS DE SÉCURITÉ RELATIFS DE L'OUTIL ROTATIF

- **La taille de l'axe des disques, des tambours de ponçage ou de tout autre accessoire doit correctement correspondre à la broche ou la douille de l'outil électrique.** Si les accessoires utilisés sont dotés d'alésages centraux qui ne conviennent pas à la pièce de montage de l'outil, ils se déstabiliseront, vibreront de façon excessive et pourront causer une perte de contrôle.
- **Le porte-outil monté sur disques, les tambours de ponçage, couteaux et autres accessoires doivent être insérés complètement sur le collet ou le mandrin.** Si le mandrin est insuffisamment retenu ou si l'élanement du disque est trop long, le disque monté peut se desserrer et s'éjecter à grande vitesse.
- **Ne pas utiliser un accessoire endommagé. Inspecter l'accessoire avant chaque utilisation afin de s'assurer que les meules, par exemple, sont exemptes d'ébréchures et de fissures, que le tambours de ponçage est exempt de fissures et qu'il n'est pas usé de façon excessive, et que la brosse métallique ne comprend pas de fils détachés ou craquelés. Si l'outil électrique ou l'accessoire est échappé, s'assurer qu'il n'est pas endommagé ou installer un autre accessoire. Après avoir effectué cette opération, se tenir à distance de l'accessoire en rotation et faire fonctionner l'outil à sa vitesse à vide maximale pendant une minute.** S'assurer que personne ne se tient à proximité de l'outil. Les accessoires endommagés se brisent généralement lors de cette vérification.
- **Porter de l'équipement de protection individuelle. Selon le type d'opération, porter un masque de protection ou des lunettes de sécurité. Au besoin, porter également un masque antipoussières, un protecteur d'oreille, des gants et un tablier d'atelier résistant aux petits fragments abrasifs ou aux fragments provenant des pièces à travailler. La protection oculaire utilisée doit résister aux débris projetés lors des différentes opérations.** La protection oculaire utilisée doit résister aux débris projetés lors des différentes opérations. Le masque anti-poussières et le masque filtrant doivent filtrer les particules produites lors de l'opération. Une exposition prolongée à un bruit fort peut entraîner une perte auditive.
- **S'assurer que personne ne se tient à proximité du lieu de travail. Toute personne qui entre sur le lieu de travail doit porter l'équipement de protection requis.** Des fragments provenant de la pièce à travailler ou d'un accessoire brisé peuvent être projetés et causer des blessures, même à des personnes se tenant à une certaine distance du lieu de travail immédiat.
- **Tenir l'outil par ses surfaces de préhension isolées lors des opérations pendant lesquelles l'accessoire de coupe peut entrer en contact avec du câblage caché.** Le contact d'un accessoire de coupe avec un fil sous tension « électrifie » les pièces métalliques exposées de l'outil et could give the operator an electric shock.
- **Toujours tenir fermement l'outil dans vos mains lors du démarrage.** Le couple de réaction du moteur, lorsque ce dernier accélère jusqu'à pleine vitesse, peut faire tourner l'outil.
- **Utiliser des pinces pour soutenir la pièce à travailler dans la mesure du possible. Quand l'outil est utilisé, ne jamais tenir une petite pièce à travailler dans une main et l'outil dans l'autre main.** Maintenir une petite pièce à travailler avec des pinces vous permet de contrôler l'outil les mains libres. Les matériaux ronds, tels que les goujons, les tuyaux ou les tubes, ont tendance à rouler lors de la découpe et l'embout peut alors se plier ou sauter vers vous.
- **Tenir le cordon loin de l'accessoire en rotation.** En cas de perte de contrôle, le cordon peut être coupé ou accroché, et la main ou le bras de l'utilisateur risquent d'entrer en contact avec l'accessoire en rotation.
- **Ne jamais déposer l'outil électrique avant l'arrêt complet de l'accessoire.** L'accessoire en rotation peut attraper la surface et occasionner une perte de contrôle.
- **Après un changement d'embout ou tout ajustement, vérifier que l'écrou de douille, le mandrin ou tout autre dispositif de réglage est bien serré.** Les dispositifs de réglage desserrés peuvent bouger soudainement, provoquant ainsi une perte de contrôle et les composants en rotations seront lancés violemment.
- **Ne jamais laisser l'outil électrique fonctionner en le transportant à ses côtés.** L'accessoire en rotation peut s'accrocher accidentellement aux vêtements et entrer en contact avec l'utilisateur.
- **Nettoyer régulièrement les événements d'aération de l'outil électrique.** Le ventilateur du moteur aspire la poussière dans le logement et crée une accumulation excessive de métal fritté, ce qui peut causer un danger électrique.
- **Ne pas faire fonctionner l'outil électrique à proximité de matériaux inflammables.** Les étincelles peuvent enflammer ces matériaux.
- **Ne pas utiliser d'accessoires qui nécessitent des liquides de refroidissement.** L'utilisation d'eau ou d'un autre liquide de refroidissement peut entraîner une électrocution ou un choc électrique.
- **Le diamètre maximal recommandé pour les meules sur tige, les cônes filetés et les bouchons ne doit pas dépasser 55 mm (2,16 po) et le diamètre maximal recommandé pour les accessoires de ponçage ne doit pas dépasser 80 mm (3,14 po).**

## REBONDS ET AVERTISSEMENTS CONNEXES

Un rebond est une réaction soudaine attribuable au pincement ou à l'accrochage de la meule, une bande de ponçage, de la brosse ou de tout autre accessoire en rotation. Un pincement ou un accrochage provoque le blocage immédiat de l'accessoire en rotation qui, à son tour, entraîne l'outil incontrôlé dans le sens opposé à la rotation de l'accessoire.

Par exemple, si une meule abrasive est accrochée ou pincée par la pièce à travailler, le rebord de la meule qui entre dans le point de pincement peut s'enfoncer dans la surface du matériau, éjectant la meule de la pièce à travailler ou la faisant rebondir, vers l'utilisateur ou loin de lui, selon le sens du mouvement de la meule au point de pincement. Dans ces conditions d'utilisation, les meules abrasives peuvent également se briser.

# AVERTISSEMENTS DE SÉCURITÉ RELATIFS DE L'OUTIL ROTATIF

Un rebond est attribuable à une mauvaise utilisation de l'outil ou au non-respect des procédures ou des conditions d'utilisation. Pour empêcher les rebonds, respecter les directives décrites ci dessous.

- **Tenir fermement l'outil électrique et placer le corps et les mains de manière à pouvoir résister aux rebonds. L'utilisateur peut contrôler les rebonds et les réactions de couple s'il respecte les directives prescrites.**
- **Faire preuve d'une extrême prudence au moment d'utiliser l'outil sur des coins ou des rebords tranchants. Éviter les rebonds et la formation d'accroc à l'accessoire.** Les coins, les rebords tranchants et les surfaces qui tressautent ont tendance à s'accrocher à la pièce en rotation et à causer une perte de contrôle ou des rebonds.
- **Ne pas fixer une lame de scie dentée.** Ces deux types de lame occasionnent de nombreux rebonds et des pertes de contrôle fréquentes.
- **Toujours introduire l'embout dans le matériau selon le sens dans lequel le tranchant sort du matériau (ce qui correspond au sens de rejet des copeaux).** Introduire l'outil dans le mauvais sens éjecte le tranchant de l'embout hors de la pièce à travailler et pousse l'outil dans le sens introduit.
- **Toujours sécuriser la pièce à travailler avec des pinces en cas d'utilisation de limeuses fraiseuses rotatives, de meules à tronçonner, de couteaux à grande vitesse ou de couteaux au carbure à tungstène.** Ces disques s'agripperont si elles s'inclinent légèrement dans la rainure et peuvent rebondir. Quand une meule à tronçonner s'agrippe, elle se casse habituellement. Quand une limeuse fraiseuse rotative, un couteau à grande vitesse ou un couteau au carbure à tungstène s'agrippe, l'outil saute de la rainure et il est possible de perdre le contrôle de l'outil.

## AVERTISSEMENTS DE SÉCURITÉ PARTICULIERS POUR LES OPÉRATIONS DE MEULAGE OU DE TRONÇONNAGE :

- **Utiliser seulement les TYPES DE MEULE recommandés pour cet outil électrique et uniquement pour les applications recommandées. Par exemple, ne pas meuler avec le côté d'une meule à tronçonner.** Seule la périphérie des meules à tronçonner abrasives doit être utilisée pour le meulage. Le fait d'appliquer une force latérale sur ces meules peut provoquer leur éclatement.
- **Pour les cônes et bouchons abrasifs filetés, utiliser seulement des mandrins de disque non endommagés dotés d'une bride d'épaulement non dégagée et ayant la bonne taille et la bonne longueur.** Un mandrin adéquat réduira le risque de brisure.
- **S'assurer que la meule à tronçonner ne se coince pas et éviter d'appliquer une pression excessive. Éviter de tronçonner sur une profondeur excessive.** Une surcharge sur la meule augmente le collage, la tendance à la torsion ou au coincement de la meule pendant la coupe et les risques de rebond ou de bris de la meule.

- **Ne pas aligner la main devant et derrière la meule en rotation.** Lorsque la meule, au point d'utilisation, se déplace en direction opposée de votre main, le rebond possible peut propulser la meule qui tourne et l'outil électrique directement sur vous.
- **Si la meule se coince ou si l'opération de coupe est interrompue pour une raison quelconque, éteindre l'outil électrique et le maintenir immobile jusqu'à ce que la meule s'arrête complètement. Ne jamais tenter de retirer la meule de la pièce tronçonnée tant que la meule tourne pour éviter le rebond.** Déterminer et résoudre la cause du coincement de la meule.
- **Ne pas reprendre le tronçonnage directement sur la pièce à travailler. Permettre à la meule d'atteindre sa vitesse maximale puis la réinsérer soigneusement dans le trait de coupe.** La meule risque de se coincer, de se soulever ou de rebondir si cette précaution n'est pas prise.
- **Soutenir les panneaux et toute pièce à travailler surdimensionnée afin de minimiser les risques de pincement et de rebond de la meule.** Les pièces à travailler de grandes dimensions ont tendance à fléchir sous leur propre poids. Il importe donc de disposer des supports sous la pièce à travailler, près du trait de coupe et au bord de la pièce à travailler, des deux côtés de la meule.
- **Redoubler de prudence lors de la découpe d'évidements dans des cloisons ou autres endroits sans visibilité arrière.** La partie en saillie de la meule peut couper les conduites d'eau ou de gaz, le câblage électrique et tout autre objet pouvant provoquer un rebond.

## RÈGLES DE SÉCURITÉ PARTICULIÈRES POUR OPÉRATIONS DE LA BROSSE MÉTALLIQUE :

- **Porter une attention particulière à la brosse métallique, dont les poils peuvent être projetés même pendant une opération régulière. Éviter de surcharger les poils en appuyant sur la brosse de manière excessive.** Les poils de la brosse métallique peuvent pénétrer facilement dans les vêtements légers ou la peau.
- **Laisser la brosse tourner à la vitesse d'opération pendant au moins une minute avant de l'utiliser. Pendant ce temps, personne ne doit se tenir devant ou dans la visée de la brosse.** Les poils ou les brosses lâches se détacheront au cours de ce rodage.
- **Orientier le rejet de la brosse métallique en rotation loin de vous. Quand ces brosses sont utilisées, des petites particules et des fragments métalliques minuscules peuvent se détacher à grande vitesse et s'incruster dans votre peau.**






# AVERTISSEMENTS DE SÉCURITÉ RELATIFS DE L'OUTIL ROTATIF

## RÈGLES SUPPLÉMENTAIRES DE SÉCURITÉ







- **AVERTISSEMENT** - Certaines poussières créées par le ponçage, le sciage, le meulage, le perçage et d'autres activités courantes d'outils rotatifs contiennent des produits chimiques connus pour causer le cancer, des malformations congénitales ou d'autres problèmes de reproduction. Voici des exemples de ces produits chimiques :
  - Le plomb contenu dans la peinture au plomb
  - La silice cristalline contenue dans les briques, le béton et d'autres produits de maçonnerie
  - L'arsenic et le chrome contenus dans le bois de construction traité par produits chimiques
- Le risque présenté par l'exposition à ces produits varie en fonction de la fréquence de ce type de travail. Pour réduire votre exposition à ces produits chimiques : travailler dans un endroit bien aéré et utiliser des équipements de sécurité approuvés tels que des masques antipoussières spécialement conçus pour filtrer les particules microscopiques.
- **Toujours porter une protection adéquate avec une meule.** Une protection protège l'utilisateur contre les fragments de meule cassée.
- **Apprendre à connaître l'outil. Lire attentivement le manuel d'utilisation. Apprendre les applications et les limites de l'outil, ainsi que les risques spécifiques relatifs à son utilisation.** Le respect de cette consigne réduira les risques d'incendie, de choc électrique et de blessures graves.
- **Toujours porter une protection oculaire munie d'écrans latéraux certifiée conforme à la norme ANSI Z87.1 lors du montage des pièces, du fonctionnement de l'outil ou au moment de l'entretien.** Le respect de cette règle réduira les risques de blessures graves.
- **Protection respiratoire. Porter un masque facial ou un masque anti-poussière si le travail produit de la poussière.** Le respect de cette consigne réduira les risques de blessures graves.
- **Protection auditive. Porter une protección auditiva lors de l'utilisation prolongée.** Le respect de cette règle réduira les risques de blessures graves.
- **Ce produit n'est pas destiné à être utilisé avec le toilettage d'animaux, les soins dentaires ou toute application médicale humaine ou vétérinaire.**
- **Éloigner les animaux domestiques lorsque vous utilisez cet outil.**
- **Vérifier l'état des pièces. Avant d'utiliser l'outil de nouveau examiner soigneusement les pièces et dispositifs de protection qui semblent endommagés afin de déterminer s'ils fonctionnent correctement et s'ils remplissent les fonctions prévues. Vérifier l'alignement des pièces mobiles, s'assurer qu'aucune pièce n'est bloquée ou cassée, vérifier la fixation de chaque pièce et s'assurer qu'aucun autre problème ne risque d'affecter le bon fonctionnement de l'outil. Toute protection ou pièce endommagée doit être correctement réparée ou remplacée dans un centre de réparations agréé.** Le respect de cette consigne réduira les risques de choc électrique, d'incendie et de blessures graves.
- **Inspecter la pièce et retirer les clous éventuels avant d'utiliser cet outil.** Le respect de cette consigne réduira les risques de blessures graves.
- **Ne pas meuler et ne pas polir des matériaux inflammables par la chaleur.** Des étincelles projetées par la meule pourraient enflammer ces matériaux.
- **Ce produit n'est pas conçu pour être utilisé comme une fraise lors des applications médicales sur les humains ou les animaux.** Des blessures graves pourraient en résulter.
- **En cas d'utilisation des vis en acier; des meules tronçonneuses; des couteaux haute-vitesse; ou des couteaux en carbure de tungstène; toujours s'assurer que la pièce à travailler est fixée solidement. Ne jamais essayer de tenir la pièce à travailler avec une main tout en utilisant les accessoires.**
- **Les outils fonctionnant sur piles n'ayant pas besoin d'être branchés sur une prise secteur, ils sont toujours en état de fonctionnement. Tenir compte des dangers possibles lorsque l'outil n'est pas en usage et lors du remplacement des piles.** Le respect de cette consigne réduira les risques d'incendie, de choc électrique et de blessures graves.
- **Ne pas placer les outils électriques sans fil ou leurs piles à proximité de flammes ou d'une source de chaleur.** Ceci réduira les risques d'explosion et de blessures.
- **Ne pas écraser, faire tomber ou endommager le bloc-piles. Ne jamais utiliser un bloc-piles ou un chargeur qui est tombé, a été écrasé, a reçu un choc violent ou a été endommagé de quelque façon que ce soit.** Une pile endommagée risque d'exploser. Éliminer immédiatement toute pile endommagée, selon une méthode approuvée.
- **Les piles peuvent exploser en présence d'une source d'allumage, telle qu'une veilleuse.** Pour réduire les risques de blessures graves, ne jamais utiliser un appareil sans fil, quel qu'il soit, en présence d'une flamme vive. En explosant, une pile peut projeter des débris et des produits chimiques. En cas d'exposition, rincer immédiatement les parties atteintes avec de l'eau.
- **Si l'outil est utilisé de façon intensive ou sous des températures extrêmes, des fuites de pile peuvent se produire. En cas de contact du liquide avec la peau, rincer immédiatement la partie atteinte avec de l'eau. En cas d'éclaboussure dans les yeux, les rincer à l'eau fraîche pendant au moins 10 minutes, puis contacter immédiatement un médecin.** Le respect de cette règle réduira les risques de blessures graves.
- **Pour les matériaux organiques, un accessoire d'arbre flexible est nécessaire. Un nettoyage et une désinfection appropriés sont nécessaires après utilisation. Tout matériau, y compris les matières organiques, coupé ou altéré par cet outil n'est ni destiné ni adapté à la consommation humaine.**
- **Conserver ces instructions.** Les consulter fréquemment et les utiliser pour instruire les autres utilisateurs éventuels. Si cet outil est prêt, il doit être accompagné de ces instructions.

# SYMBOLES

Les termes de mise en garde suivants et leur signification ont pour but d'expliquer le degré de risques associé à l'utilisation de ce produit.

SYMBOLE	SIGNAL	SIGNIFICATION
	<b>DANGER :</b>	Indique une situation dangereuse qui, si elle n'est pas évitée, aura pour conséquences des blessures graves ou mortelles.
	<b>AVERTISSEMENT :</b>	Indique une situation dangereuse qui, si elle n'est pas évitée, pourrait entraîner des blessures graves ou mortelles.
	<b>ATTENTION :</b>	Indique une situation dangereuse qui, si elle n'est pas évitée, pourrait entraîner des blessures légères ou de gravité modérée.
	<b>AVIS :</b>	(Sans symbole d'alerte de sécurité) Indique les informations jugées importantes sans toutefois représenter un risque de blessure (ex. : messages concernant les dommages matériels).

Certains des symboles ci-dessous peuvent être utilisés sur produit. Veiller à les étudier et à apprendre leur signification. Une interprétation correcte de ces symboles permettra d'utiliser produit plus efficacement et de réduire les risques.

SYMBOLE	NOM	DÉSIGNATION/EXPLICATION
	Symbole d'alerte de sécurité	Indique un risque de blessure potentiel.
	Lire le manuel d'utilisation	Pour réduire les risques de blessures, l'utilisateur doit lire et veiller à bien comprendre le manuel d'utilisation avant d'utiliser ce produit.
	Protection oculaire et respiratoire	Toujours porter une protection oculaire avec écrans latéraux certifiée conforme à la norme ANSI Z87.1. Selon le type d'accessoire utilisé et comme il est indiqué ailleurs dans le Manuel d'utilisation, une protection respiration peut être nécessaire.
	Avertissement concernant l'humidité	Ne pas exposer à la pluie ou l'humidité.
	Cheveux longs	Attacher les cheveux longs pour les maintenir au-dessus des épaules, afin qu'ils ne se prennent pas dans les pièces en mouvement.
	Symbole de recyclage	Ce produit utilise les piles de lithium-ion (Li-ion). Les réglementations locales ou gouvernementales peuvent interdire de jeter les piles dans les ordures ménagères. Consulter les autorités locales compétentes pour les options de recyclage et/ou l'élimination.
V	Volts	Tension
min	Minutes	Temps
--	Courant continu	Type ou caractéristique du courant
n	Vitesse nominale	Vitesse de rotation à vide
.../min	Par minute	Tours, coups, vitesse périphérique, orbites, etc., par minute

# CARACTÉRISTIQUES

## FICHE TECHNIQUE

Collet à changement rapide ..... 3,2 mm (1/8 po) universel  
 Vitesse nominale ..... 1 000 - 25 000/min (RPM)  
 Capacité de pédale ..... Oui

# ASSEMBLAGE

## DÉBALLAGE

Ce produit nécessite un assemblage.

- Avec précaution, sortir l'outil et les accessoires de la boîte. Tous les articles énumérés sous **Inclut** doivent se trouver dans l'emballage au moment de l'achat.

### **AVERTISSEMENT :**

Certaines pièces figurant dans cette section Assemblage n'ont pas été installées sur le produit par le fabricant et exigent une installation du client. Le fait d'utiliser un produit qui a été assemblé de façon inadéquate peut entraîner des blessures.

- Si des pièces manquent ou sont endommagées, veuillez appeler au 1-800-525-2579 pour obtenir de l'aide.

### **AVERTISSEMENT :**

Si des pièces manquent ou sont endommagées, ne pas utiliser cet outil avant qu'elles aient été remplacées. Le non-respect de cet avertissement pourrait entraîner des blessures graves.

### **AVERTISSEMENT :**

Ne pas essayer de modifier cet outil ou de créer des accessoires non recommandés pour l'outil. De telles altérations ou modifications sont considérées comme un usage abusif et peuvent créer des conditions dangereuses, risquant d'entraîner des blessures graves.

## CONNEXION DU PORTE-CRAYON ET DE L'ARBRE FLEXIBLE À LA CONSOLE DE L'OUTIL ROTATIF

Voir la figure 1, page 14.

Le porte-crayon peut être installée du côté gauche ou droit de la cloueuse, selon les préférences de l'utilisateur.

- Glisser la bride du porte-crayon dans l'ouverture latérale de la console de l'outil rotatif jusqu'à ce qu'elle soit complètement insérée.

**NOTE :** Une fois bien insérée, la languette de la bride s'enclenchera dans le logement pour empêcher le porte-crayon de s'enlever.

- Placer le col de l'arbre flexible sur la prise fileté de la console de l'outil rotatif.
- Tourner le col dans le sens horaire et serrer fermement.

# UTILISATION

### **AVERTISSEMENT :**

Ne pas laisser la familiarité avec l'outil faire oublier la prudence. Ne pas oublier qu'une fraction de seconde d'inattention peut entraîner des blessures graves.

### **AVERTISSEMENT :**

Toujours retirer la bloc-pile de l'outil au moment d'assembler des pièces, d'effectuer des réglages, changer d'accessoire, de procéder au nettoyage, ou lorsque l'outil n'est pas utilisé. Si cette précaution n'est pas prise, des objets peuvent être projetés dans les yeux et causer des lésions graves.

### **AVERTISSEMENT :**

Toujours porter une protection oculaire avec écrans latéraux certifiée conforme à la norme ANSI Z87.1. Selon le type d'accessoire utilisé et comme il est indiqué ailleurs dans le Manuel d'utilisation, une protection auditive peut être nécessaire. Si une opération dégage de la poussière, porter également un masque anti-poussière.

### **AVERTISSEMENT :**

Ne pas utiliser d'outils ou accessoires non recommandés par le fabricant pour cet outil. L'utilisation de pièces et accessoires non recommandés peut entraîner des blessures graves.

### **AVERTISSEMENT :**

Avant chaque utilisation, assurez-vous que la poignée du stylo est fixée à l'arbre articulé. Si nécessaire, appuyez la poignée du stylo dans l'arbre pour vous assurer que la poignée est placée entièrement à fleur contre l'arbre articulé. Une mauvaise fixation de la poignée pourrait entraîner sa chute de l'arbre articulé, ce qui risque d'exposer l'axe tournant et d'entraîner de graves blessures corporelles. Pendant l'utilisation, assurez-vous que la poignée du stylo est fixée à l'arbre articulé.

# UTILISATION

## **AVERTISSEMENT :**

L'axe continue de tourner lorsque le bloc-batterie est installé et que le commutateur de marche/arrêt est en position ON (Marche). Une mauvaise fixation de la poignée du stylo sur l'arbre articulé pourrait entraîner un contact avec l'axe tournant, ce qui peut causer de graves blessures corporelles.

## **AVIS :**

Afin d'éviter d'endommager la broche ou la commande de verrouillage de la broche, toujours attendre l'arrêt complet du moteur avant d'enclencher la commande de verrouillage de la broche.

## **APPLICATIONS**

Ce produit peut être utilisé pour les applications ci-dessous :

- Modelage, gravure, mordançage, polissage, nettoyage, retrait de la rouille, ponçage, coupage, meulage, façon-nage, perçage et traçage

## **SUSPENDRE L'OUTIL ROTATIF**

## **AVERTISSEMENT :**

Ne pas utiliser le porte-outil suspendre l'outil sur votre corps. Ne pas suspendre l'outil en hauteur. Ne suspendre l'outil qu'à partir d'emplacements stables et sécuritaires.

## **AVERTISSEMENT :**

Tenir toujours fermement la pièce à main dans votre main. Pour éviter toute blessure grave, ne pas monter la pièce à main de l'arbre flexible dans une station de bricolage.

- Éteindre l'outil et retirer les accessoires.
- Faire pivoter le porte-outil et suspendre l'outil sur une structure stable et convenable.
- Le console de l'outil rotatif comporte un système d'accrochage commode du type « trou de serrure ». Les vis doivent être installées à une distance de 100 mm (4 po) d'axe en axe.

## **INSTALLATION/RETRAIT DU BLOC-PILES**

Voir la figure 2, page 15.

### **Pour install :**

- Installer le bloc-pile sur l'outil.
- S'assurer que ses deux loquets latéraux s'engagent correctement et vérifier que le bloc est solidement assujéti avant d'utiliser l'outil.

### **Pour retrait:**

- Appuyer sur les loquets de chaque côté du bloc-pile.

Pour prendre connaissance des consignes de chargement, consulter le manuel d'utilisation des piles et des chargeurs.

## **AVERTISSEMENT :**

Les outils à piles sont toujours en état de fonctionnement. Verrouiller la gâchette lorsque l'outil n'est pas utilisé ou pour le transporter le long du corps.

## **COLLET À CHANGEMENT RAPIDE**

Voir la figure 3, page 15.

**NOTE :** L'outil est livré avec un collet préinstallé, qui est usiné selon les tolérances de précision pour les accessoires avec une tige de 3,2 mm (1/8 po) de diamètre. Lorsqu'il est installé, le collet à changement rapide permet à l'utilisateur de changer les accessoires sans utiliser d'outil et sans retirer le collet de l'arbre. La pince à changement rapide n'est pas compatible avec les tiges de 1,6 mm.

### **Pour retirer/installer le collet à changement rapide :**

- Éteindre l'outil rotatif.
- Enfoncer et tenir le bouton de blocage de la broche vers l'avant et tourner l'arbre avec une main jusqu'à ce que le bouton de verrouillage de la broche engage l'arbre, empêchant ainsi toute rotation ultérieure.
- Lorsque le blocage de la broche est activé, placer la clé du collet de 9,5 mm (3/8 po) inclus sur l'extrémité fileté du collet à changement rapide, puis tourner dans le sens contraire des aiguilles d'une montre pour le desserrer.
- Retirer le collet à changement rapide.
- **Pour l'installer,** activer le blocage de la broche, placer le collet à changement rapide sur l'arbre, puis utiliser la clé du collet de 9,5 mm (3/8 po) inclus pour faire tourner l'extrémité fileté du collet à changement rapide dans le sens des aiguilles d'une montre.

## **AVERTISSEMENT :**

Toujours utiliser une douille dont la taille correspond à celle de l'accessoire que vous comptez utiliser. Ne jamais forcer une tige de trop grande dimension dans une douille. L'accessoire devrait pouvoir s'insérer facilement dans la douille, mais vous devriez être capable de serrer l'accessoire fermement et de façon sécuritaire avec le collet à changement rapide.

## **INSTALLATION/RETRAIT DES ACCESSOIRES**

Voir la figure 4, page 15.

## **AVERTISSEMENT :**

Pour éviter des blessures graves, ne jamais utiliser une fraise de toupie dans l'accessoire de tige flexible.

### **Pour installer :**

- Retirer le bloc de batteries de l'outil.
- Choisir un accessoire adapté au collet et à l'application tentée.

# UTILISATION

- S'assurer que le collet à changement rapide est installé fermement sur l'arbre.
- Tout en appuyant sur le bouton de verrouillage de la broche, utiliser la main pour desserrer la douille en tournant le manchon en sens antihoraire.
- Insérez la tige de l'accessoire dans la douille jusqu'à ce qu'elle arrive au bout, et ensuite, retirez de 1.588 mm (1/16 po) en prévision de l'expansion quand l'accessoire se réchauffera.
- Tourner le manchon de douille en sens horaire jusqu'à ce que le cliquetis s'arrête et que la douille agrippe la tige de l'accessoire.

**NOTE :** S'il n'est pas possible de serrer ou desserrer suffisamment à la main, utiliser la clé à douille de 9,5 mm sur le haut hexagonal de la douille. Tourner en sens horaire pour serrer ou en sens antihoraire pour desserrer.

## Retrait :

- Retirer le bloc de batteries de l'outil.
- Engager le blocage de la broche.
- Tourner le manchon du collet dans le sens contraire des aiguilles d'une montre pour desserrer.
- Enlevez l'accessoire.

**NOTE :** Au moment de tenter de retirer un accessoire, si la douille à changement rapide commence à s'enlever de l'outil, répéter le processus d'installation.

## DANGER :

Si vous changez un accessoire immédiatement après l'utilisation, assurez-vous de ne pas toucher la douille, l'écrou de douille ou l'accessoire avec vos mains ou vos doigts. Vous allez vous brûler à cause de la chaleur accumulée pendant la coupe. Toujours utiliser les clés qui ont été fournis.

## UTILISATION DE MANDRINS

Voir la figure 5, page 15.

Les types de mandrins les plus communs utilisés avec cet outil sont des mandrins communs qui servent pour les disques de coupe, les meules, les meules d'émeri et les meules tronçonneuses. Le mandrin à vis est utilisé avec des meules de polissage et des tambours polisseurs. Le mandrin à tambour est utilisé avec des tambours de ponçage.

### Pour installer :

- Retirer le bloc-pile.
- Installer le mandrin.

### Si vous utilisez le mandrin standard :

- Enfoncer et tenir le bouton de blocage de la broche vers l'avant et tourner le mandrin à la main jusqu'à ce que le verrou de la broche s'enclenche pour éviter toute rotation future.

- Insérer le bout de la clé fournie dans la fente en haut du mandrin et dévisser.
  - Enlever la vis de mandrin et la rondelle.
  - Placer l'accessoire voulu au-dessus de l'arbre du mandrin et aligner l'orifice de l'accessoire avec l'orifice du mandrin.
  - Insérer la vis du mandrin avec la rondelle à travers l'accessoire et les orifices de l'arbre de mandrin.
- NOTE :** La rondelle du mandrin devrait être placée entre la vis du mandrin et l'accessoire.
- Serrer à l'aide de la clé fournie.

### Si vous utilisez le mandrin à vis :

- Aligner l'orifice de l'accessoire voulu avec la tête de vis du mandrin.
- Visser l'accessoire au mandrin en tournant dans le sens des aiguilles d'une montre jusqu'à ce qu'il soit fixé en place.

### Si vous utilisez le mandrin à tambour :

- Aligner le tambour de ponçage avec le mandrin et pousser vers le bas pour couvrir complètement le bout à tambour du mandrin.
- NOTE :** Si nécessaire, serrer la vis sur la tête du mandrin à tambour pour élargir le tambour et attacher solidement le tambour de ponçage.

## ÉQUILIBRAGE DES ACCESSOIRES

Pour le travail de précision, il est important que tous les accessoires soient bien équilibrés. Pour équilibrer un accessoire, desserrer légèrement l'écrou de la douille, et tourner l'accessoire ou la douille d'un quart de tour. Le son qui se fait entendre et le maniement de l'outil devraient vous indiquer si l'accessoire est bien équilibré. Continuer l'ajustement de cette façon jusqu'à ce obtenir le meilleur équilibre. Remplacer les accessoires s'ils sont endommagés ou déséquilibrés.

## MISE EN MARCHÉ/ARRÊT DE L'OUTIL ROTATIF

Voir la figure 6, page 15.

- Pour mettre l'outil en **MARCHE** : mettre l'interrupteur MARCHE/ARRÊT en position MARCHE.
- Pour **ARRÊTER** l'outil : mettre l'interrupteur MARCHE/ARRÊT en position ARRÊT.

## SÉLECTION DE LA VITESSE APPROPRIÉE

Voir la figure 6, page 15.

Pour augmenter la vitesse de l'outil, tourner le cadran de contrôle de vitesse dans le sens des aiguilles d'une montre. Pour ralentir la vitesse, tourner le cadran dans le sens contraire des aiguilles d'une montre. Contrôler la vitesse avec une pédale (non comprise), tourner le cadran complètement dans le sens contraire des aiguilles d'une montre.

L'outil rotatif fonctionne dans un intervalle de vitesse de 1 000 à 25 000 tr/min. Pour sélectionner la vitesse appropriée pour chaque tâche, utiliser un morceau de rebut pour faire un essai. Varier la vitesse pour trouver la meilleure vitesse pour l'accessoire que vous utiliser et la tâche à effectuer.

# UTILISATION

Utiliser le cadran de contrôle de vitesse afin de régler la meilleure vitesse pour le travail. Quand le cadran se trouve sur le réglage maximal, un régime d'environ 25 000 tr/min est atteint.

Se rapporter au tableau **Recommandations de vitesse d'application** pour déterminer la vitesse appropriée, selon le matériau travaillé et l'accessoire utilisé.

## VITESSES PLUS LENTES

Certains matériaux, comme certains types de plastique par exemple, exigent des vitesses plus lentes parce que la friction de l'outil génère de la chaleur qui fait fondre le plastique à une vitesse élevée.

Des vitesses plus lentes (15 000 tr/min ou moins) sont souvent meilleurs pour des tâches de polissage avec utilisation des accessoires de polissage. Elles peuvent aussi être préférables pour travailler sur des projets délicats, des gravures en bois délicates et sur des composants des modèles fragiles.

Des vitesses plus élevées sont meilleures pour graver, couper et toupiller le bois.

Des bois durs, des métaux et le verre nécessitent une vitesse d'opération plus élevée. Le perçage devrait aussi être effectué à hautes vitesses.

Pour déterminer la vitesse optimale pour de différents matériaux et accessoires, se rapporter au tableau **Recommandations de**

**vitesse d'application** à la page suivante, pour se familiariser avec les informations qu'elle contient.

La meilleure façon de déterminer la vitesse appropriée pour travailler dans un matériau est de pratiquer quelques minutes avec un morceau de rebut, même après avoir consulté la table. Vous pouvez vite comprendre que la vitesse plus lente ou plus élevée est plus efficace juste en observant ce qui se passe quand vous utiliser l'outil pendant un moment ou deux à des vitesses différentes.

Pendant le travail sur un morceau de rebut en plastique, commencer avec une vitesse plus lente et augmenter la vitesse jusqu'à ce qu'il soit possible d'observer que le plastique fond au point de contact; réduire légèrement la vitesse pour obtenir la vitesse optimale sans fondre la pièce à travailler.

### NOTE :

- Le plastique et les matériaux qui fondent à de basses températures devraient être coupés à basse vitesse.
- Le bois tendre devrait être coupé à haute vitesse.
- L'aluminium, l'étain et le cuivre, le plomb et les alliages de zinc peuvent être coupés à toutes les vitesses; dépendamment du type de la coupe à effectuer. Utiliser de l'huile de paraffine ou autre lubrifiant approprié sur le couteau pour éviter que le matériel coupé n'adhère aux dents du couteau.

## RECOMMANDATIONS DE VITESSE D'APPLICATION\*

Type d'accessoire	Bois tendre	Bois dur	Stratifiés, Matières plastiques	Acier	Aluminium, laiton, etc.	Coquille/pierre	Céramique	Verre
Disques à tronçonner	15-35K	15-35K	5-15K	35K	35K	N/A	N/A	N/A
Meule à tronçonner en fibre de verre	15-35K	15-35K	5-15K	35K	35K	N/A	N/A	N/A
Tambours de ponçage	15-35K	15-35K	5-15K	15-35K	15-35K	15-35K	N/A	N/A
Meule de polissage en feutre	5-15K	5-15K	5-15K	5-15K	5-15K	5-15K	5-15K	5-15K
Meules en oxyde d'aluminium	15-35K	15-35K	5-15K	15-35K	15-35K	N/A	N/A	N/A
Meules en carbure de silicium	N/A	N/A	N/A	15-35K	15-35K	15-35K	5-35K	N/A
Forets en acier rapide	35K	35K	15-35K	35K	35K	—	—	—
Mèche tranchante pour cloison sèche	35K (Cloison sèche seulement)							

\*Les paramètres fournis dans le tableau sont des recommandations pour les plages de fonctionnement pour de meilleures performances.

# UTILISATION

## UTILISATION D'UN PÉDALE (NON COMPRISE)

Voir les figures 7 et 8, pages 15 et 16.

### Pour installer une pédale (non comprise) :

- Éteindre l'outil rotatif.
- Ouvrir le couvercle du port de pédale à l'avant de la console de l'outil rotatif.
- Insérer le cordon de pédale dans le port de pédale sur la console de l'outil rotatif comme illustré. Acheminer le cordon et placer la pédale avec précaution pour éviter les risques de trébuchement ou d'accrochage.

### Pour utiliser une pédale (non comprise) :

- Éteindre l'outil rotatif.
- Tourner le cadran de contrôle de vitesse à fond dans le sens contraire des aiguilles d'une montre jusqu'à la position « pédale » (foot pedal).
- Suivre les instructions du manuel d'utilisation de la pédale RYOBI pour l'utiliser.

## UTILISATION DE L'OUTIL ROTATIF

Voir la figure 9, page 16.

### Apprendre à utiliser l'outil rotatif :

- Tenir l'outil dans la main et s'habituer à son poids, équilibre et la forme de son boîtier. Cette forme permet d'empoigner l'outil rotatif comme s'il s'agissait d'un crayon.
- Inspecter attentivement les accessoires de l'outil rotatif. Des accessoires endommagés peuvent se séparer en morceaux lorsqu'ils atteignent une certaine vitesse et ils ne devraient pas être utilisés. L'utilisation des accessoires endommagés pourrait résulter en des blessures corporelles graves.
- Pratiquer d'abord sur des matériaux de rebut pour voir comment l'outil fonctionne. Ne pas oublier pas que le travail est effectué par la vitesse de l'outil et par l'accessoire monté dans la douille de serrage. Vous ne devez pas vous appuyer sur l'outil ni pousser celui-ci dans le matériau.

Il est mieux de passer l'outil plusieurs fois plutôt que de tenter de faire tout le travail d'une seule fois. Pour pratiquer une coupe, passer l'outil allant-venant sur la pièce, tout comme vous le feriez avec un petit pinceau. Couper un peu de matériau à chaque passage jusqu'à atteindre la profondeur désirée. Pour la plupart des tâches, l'approche douce est la meilleure. Vous allez avoir plus de contrôle, faire moins d'erreurs et effectuer un travail efficace avec l'accessoire.

Pour assurer le meilleur contrôle possible pour du travail de précision, tenir l'outil entre le pouce et l'index.

La méthode de prise de l'outil « poignée » est utilisée pour des tâches telles que le ponçage d'une surface plate ou l'utilisation de disques de ponçage.

### Pour utiliser l'outil rotatif :

- Attacher la pièce à travailler à l'établi à l'aide d'un étau ou d'une pince pour empêcher qu'elle ne bouge au-dessous de l'outil.
- Tenir l'outil éloigné devant vous, en faisant attention à ce que l'accessoire de l'outil ne touche pas à la pièce à travailler.
- Mettre l'outil en marche et attendre jusqu'à ce que le moteur et l'accessoire atteignent leur vitesse maximale.
- Abaisser l'outil progressivement jusqu'à ce que l'accessoire entre en contact avec la pièce à travailler.
- Bouger l'outil continuellement de façon égale et uniforme.
- Utiliser juste assez de pression pour empêcher l'outil de claquer et de rebondir.

**NOTE :** Une pression trop forte diminuera la vitesse de l'outil et forcera le moteur. Le seul poids de l'outil est suffisant pour la plupart des tâches.

- Éloigner l'outil de la pièce à travailler avant d'éteindre l'outil.

# ENTRETIEN

## **⚠ AVERTISSEMENT :**

Utiliser exclusivement des pièces d'origine pour les réparations. L'usage de toute autre pièce pourrait créer une situation dangereuse ou endommager l'produit.

## **⚠ AVERTISSEMENT :**

Toujours porter une protection oculaire avec écrans latéraux certifiée conforme à la norme ANSI Z87.1. Si cette précaution n'est pas prise, des objets peuvent être projetés dans les yeux et causer des lésions graves.

## **⚠ AVERTISSEMENT :**

Pour empêcher un démarrage accidentel pouvant entraîner des blessures graves, toujours retirer le bloc-piles de l'outil avant tout nettoyage ou entretien.

## **⚠ AVERTISSEMENT :**

Avant chaque utilisation, assurez-vous que la poignée du stylo est fixée à l'arbre articulé. Si nécessaire, appuyez la poignée du stylo dans l'arbre pour vous assurer que la poignée est placée entièrement à fleur contre l'arbre articulé. Une mauvaise fixation de la poignée pourrait entraîner sa chute de l'arbre articulé, ce qui risque d'exposer l'axe tournant et d'entraîner de graves blessures corporelles. Pendant l'utilisation, assurez-vous que la poignée du stylo est fixée à l'arbre articulé.

## **⚠ AVERTISSEMENT :**

L'axe continue de tourner lorsque le bloc-batterie est installé et que le commutateur de marche/arrêt est en position ON (Marche). Une mauvaise fixation de la poignée du stylo sur l'arbre articulé pourrait entraîner un contact avec l'axe tournant, ce qui peut causer de graves blessures corporelles.

## **ENTRETIEN GÉNÉRAL**

Éviter d'utiliser des solvants pour le nettoyage des pièces en plastique. La plupart des matières plastiques peuvent être endommagées par divers types de solvants du commerce. Utiliser un chiffon propre pour éliminer la saleté, la poussière, l'huile, la graisse, etc.

## **⚠ AVERTISSEMENT :**

Ne jamais laisser de liquides tels que le fluide de freins, l'essence, les produits à base de pétrole, les huiles pénétrantes, etc., entrer en contact avec les pièces en plastique. Les produits chimiques peuvent endommager, affaiblir ou détruire le plastique, ce qui peut entraîner des blessures graves.

**ILLUSTRATIONS COMMENÇANT SUR 14 DE PAGE  
APRÈS LE SECTION ESPAGNOL.**



# ADVERTENCIAS DE SEGURIDAD PARA HERRAMIENTAS ELÉCTRICAS

## ADVERTENCIA:

Lea todas las advertencias, instrucciones, ilustraciones y especificaciones proporcionadas con esta herramienta eléctrica. No seguir las instrucciones indicadas a continuación puede provocar descargas eléctricas, incendios o lesiones graves.

Guarde todas las advertencias e instrucciones para consultarlas en el futuro. El término “herramienta eléctrica” en las advertencias se refiere a las herramientas eléctricas que funcionan con corriente (con cordón) o las que funcionan con batería (inalámbricas).

## ÁREA DE TRABAJO

- **Mantenga limpia y bien iluminada el área de trabajo.** Un área de trabajo mal despejada o mal iluminada propicia accidentes.
- **No utilice herramientas motorizadas en atmósferas explosivas, como las existentes alrededor de líquidos, gases y polvos inflamables.** Las herramientas eléctricas generan chispas que pueden encender el polvo y los vapores inflamables.
- **Mantenga alejados a los niños y circunstantes al maniobrar una herramienta eléctrica.** Toda distracción puede causar la pérdida del control de la herramienta.

## SEGURIDAD ELÉCTRICA

- **Las clavijas de las herramientas eléctricas deben corresponder a las tomas de corriente donde se conectan. Nunca modifique la clavija de ninguna forma. No utilice ninguna clavija adaptadora con herramientas eléctricas dotadas de contacto a tierra.** Conectando las clavijas originales en las tomas de corriente donde corresponden se disminuye el riesgo de una descarga eléctrica.
- **Evite el contacto del cuerpo con las superficies de objetos conectados a tierra, como las tuberías, radiadores, estufas y refrigeradores.** Existe un mayor riesgo de descargas eléctricas si el cuerpo está haciendo tierra.
- **No exponga las herramientas eléctricas a la lluvia ni a condiciones de humedad.** La introducción de agua en una herramienta eléctrica aumenta el riesgo de descargas eléctricas.
- **No maltrate el cordón eléctrico. Nunca utilice el cordón para trasladar, desconectar o tirar de la herramienta eléctrica. Mantenga el cordón lejos del calor, aceite, bordes afilados y piezas móviles.** Los cordones eléctricos dañados o enredados aumentan el riesgo de descargas eléctricas.
- **Al utilizar una herramienta eléctrica a la intemperie, use un cordón de extensión apropiado para el exterior.** Usando un cordón adecuado para el exterior se disminuye el riesgo de descargas eléctricas.
- **Si debe operar una herramienta en lugares húmedos, use un suministro protegido por un interruptor de circuito con pérdida a tierra (GFCI).** El uso de un GFCI reduce el riesgo de descargas eléctricas.

## SEGURIDAD PERSONAL

- **Permanezca alerta, preste atención a lo que esté haciendo y aplique el sentido común al utilizar herramientas eléctricas. No utilice la herramienta eléctrica si está cansado o se encuentra bajo los efectos de alguna droga, alcohol o medicamento.** Un momento de inatención al utilizar una herramienta eléctrica puede causar lesiones corporales serias.
- **Utilice protección el equipo otros. Siempre póngase protección ocular.** El uso de equipo protector como mascarilla para el polvo, calzado de seguridad, casco y protección para los oídos en las circunstancias donde corresponda disminuye el riesgo de lesiones.
- **Evite que la herramienta se active accidentalmente. Asegúrese de que el interruptor esté en la posición de apagado antes de conectar la herramienta a un suministro de corriente o de colocar un paquete de baterías.** Transportar herramientas eléctricas con el dedo en el interruptor o enchufar herramientas eléctricas que tienen el interruptor encendido puede ocasionar accidentes.
- **Retire toda llave o herramienta de ajuste antes de encender la herramienta eléctrica.** Toda llave o herramienta de ajuste dejada en una pieza giratoria de la herramienta eléctrica puede causar lesiones.
- **No estire el cuerpo para alcanzar mayor distancia. Mantenga una postura firme y buen equilibrio en todo momento.** De esta manera se logra un mejor control de la herramienta eléctrica en situaciones inesperadas.
- **Vístase adecuadamente. No vista ropas holgadas ni joyas. Mantenga el cabello, y la ropa alejados de las piezas móviles.** Las ropas holgadas y las joyas, así como el cabello largo, pueden engancharse en las piezas móviles.
- **Si se suministran dispositivos para conectar mangueras de extracción y captación de polvo, asegúrese de que éstas estén bien conectadas y se usen correctamente.** El uso de la captación de polvo puede reducir los peligros relacionados con éste.
- **No permita que la familiaridad obtenida por el uso frecuente de las herramientas lo vuelva complaciente e ignore los principios de seguridad de las herramientas.** Una acción descuidada puede causar lesiones graves en una fracción de segundo.
- **No vista ropas holgadas ni joyas. Recójase el cabello si está largo.** Las ropas holgadas y las joyas, así como el cabello largo, pueden resultar atraídas hacia el interior de las aberturas de ventilación.
- **No utilice la unidad al estar en una escalera o en un soporte inestable.** Una postura estable sobre una superficie sólida permite un mejor control de la herramienta eléctrica en situaciones inesperadas.

## EMPLEO Y CUIDADO DE LA HERRAMIENTA ELÉCTRICA

- **No fuerce la herramienta eléctrica. Utilice la herramienta eléctrica adecuada para cada trabajo.** La herramienta eléctrica adecuada efectúa mejor y de manera más segura el trabajo, si además se maneja a la velocidad para la que está diseñada.

# ADVERTENCIAS DE SEGURIDAD PARA HERRAMIENTAS ELÉCTRICAS

- **No utilice la herramienta si el interruptor no enciende o no apaga.** Cualquier herramienta eléctrica que no pueda controlarse con el interruptor es peligrosa y debe repararse.
- **Desconecte el enchufe de la fuente de alimentación o retire el paquete de baterías, si es desmontable, de la herramienta eléctrica antes de realizar ajustes, cambiar accesorios o almacenar herramientas eléctricas.** Tales medidas preventivas de seguridad reducen el riesgo de poner en marcha accidentalmente la herramienta.
- **Guarde las herramientas eléctricas desocupadas fuera del alcance de los niños y no permita que las utilicen personas no familiarizadas con las mismas o con estas instrucciones.** Las herramientas eléctricas son peligrosas en manos de personas no capacitadas en el uso de las mismas.
- **Mantenimiento de las herramientas eléctricas y accesorios.** Revise para ver si hay desalineación o atoramiento de piezas móviles, ruptura de piezas o toda otra condición que pueda afectar el funcionamiento de la herramienta eléctrica. Si está dañada la herramienta eléctrica, permita que la reparen antes de usarla. Numerosos accidentes son causados por herramientas eléctricas mal cuidadas.
- **Mantenga las herramientas de corte afiladas y limpias.** Las herramientas de corte bien cuidadas y con bordes bien afilados, tienen menos probabilidad de atascarse en la pieza de trabajo y son más fáciles de controlar.
- **Use la herramienta eléctrica, los accesorios, las brocas, etc. según estas instrucciones, teniendo en cuenta las condiciones de trabajo y la tarea que se va a realizar.** Si se utiliza la herramienta eléctrica para operaciones diferentes de las indicadas podría originar una situación peligrosa.
- **Mantenga los mangos y superficies de agarre limpias y libres de aceite y grasa.** Los mangos y superficies de agarre resbalosas no permiten la manipulación y control seguro de la herramienta en situaciones inesperadas.

## EMPLEO Y CUIDADO DE LA HERRAMIENTA DE BATERÍAS

- **Sólo cargue el paquete de baterías con el cargador especificado por el fabricante.** Un cargador adecuado para

un tipo paquete de baterías puede significar un riesgo de incendio si se emplea con un paquete de baterías diferente.

- **Utilice las herramientas eléctricas sólo con los paquetes de baterías específicamente indicados.** El empleo de paquetes de baterías diferentes puede presentar un riesgo de incendio.
- **Cuando no esté utilizándose el paquete de baterías, manténgalo lejos de otros objetos metálicos, como clips, monedas, llaves, clavos, tornillos o otros objetos metálicos, pequeños que puedan establecer conexión entre ambas terminales.** Establecer una conexión directa entre las dos terminales de las baterías puede causar quemaduras o incendios.
- **Si se maltratan las baterías, puede derramarse líquido de las mismas; evite todo contacto con éste. En caso de contacto, lávese con agua. Si el líquido llega a tocar los ojos, además busque atención médica.** El líquido de las baterías puede causar irritación y quemaduras.
- **No utilice un paquete de baterías o una herramienta que esté dañado o modificado.** Las baterías dañadas o modificadas pueden tener un funcionamiento impredecible que provoque incendios, explosiones o riesgo de lesiones.
- **No exponga el paquete de baterías o una herramienta al fuego o a temperaturas excesivas.** La exposición al fuego o a temperatura sobre los 130°C (265°F) puede provocar explosiones.
- **Siga todas las instrucciones de carga y no cargue el paquete de baterías ni la herramienta fuera del rango de temperaturas especificado en las instrucciones.** Si realiza la carga en forma incorrecta o fuera de las temperaturas del rango especificado puede dañar la batería y aumentar el riesgo de incendios.

## SERVICIO

- **Permita que un técnico de reparación calificado preste servicio a la herramienta eléctrica, y sólo con piezas de repuesto idénticas.** De esta manera se mantiene la seguridad de la herramienta eléctrica.
- **Nunca repare paquetes de baterías dañados.** La reparación de paquetes de baterías solo puede ser realizada por el fabricante o proveedores de servicio autorizados.

# ADVERTENCIAS DE SEGURIDAD DE HERRAMIENTA ROTATORIA

## ADVERTENCIAS DE SEGURIDAD GENERALES PARA LAS OPERACIONES DE ESMERILADO, LIJADO, CEPILLO DE ALAMBRE, PULIR, TALLADO O CORTE ABRASIVO

- **Esta herramienta eléctrica está diseñada para funcionar como una amoladora, una lijadora, un cepillo de alambre, una enceradora, una herramienta de tallado o una herramienta de corte.** Lea todas las advertencias de seguridad, ilustraciones y especificaciones suministradas con esta herramienta eléctrica. La inobservancia de todas las instrucciones que se enumeran a continuación puede causar descargas eléctricas, incendios o lesiones graves.
- **No utilice accesorios que no estén específicamente diseñados y recomendados por el fabricante de la herramienta.** El hecho de que el accesorio pueda acoplarse a su herramienta eléctrica no significa que su funcionamiento sea seguro.
- **La velocidad nominal de los accesorios debe ser, al menos, igual a la configuración de velocidad operativa que se indica en la herramienta eléctrica.** Los accesorios que se utilizan a una mayor velocidad que su velocidad nominal pueden romperse y salir lanzados.
- **El diámetro exterior y el espesor del accesorio deben tener la capacidad nominal de su herramienta eléctrica.** Los accesorios de un tamaño incorrecto no pueden controlarse de forma adecuada.

# ADVERTENCIAS DE SEGURIDAD DE HERRAMIENTA ROTATORIA

- **El tamaño del árbol de los discos, rodillos para lijar o cualquier otro accesorio debe encajar adecuadamente en el eje o portaherramientas de la herramienta eléctrica.** Los accesorios con orificios del árbol que no coincidan con los elementos de montaje de la herramienta eléctrica se desequilibrarán, vibrarán excesivamente y pueden causar la pérdida de control.
- **Los discos con montaje de mandril, rodillos para lijar, cortadores y otros accesorios deben quedar completamente insertados en el portaherramientas o la mordaza.** Si el mandril no se sostiene de forma adecuada o la parte que sobresale al disco es demasiado larga, el disco montado podría aflojarse y salir eyectado a gran velocidad.
- **No use un accesorio dañado. Antes de cada uso inspeccione los accesorios como discos abrasivos para controlar si hay virutas y grietas, rodillos para lijar para controlar si hay grietas, desgaste y deterioro excesivo, cepillo de alambre para controlar si hay cables sueltos y agrietados. Si la herramienta eléctrica o el accesorio se caen, examine los daños o instale un accesorio en buen estado. Luego de inspeccionar e instalar un accesorio, usted y las personas presentes deben mantenerse alejados del plano del accesorio giratorio. Usted debe accionar la herramienta durante un minuto en la velocidad máxima en vacío.** Normalmente, los accesorios dañados se quiebran durante esta prueba.
- **Use un equipo de protección personal. Según la aplicación, use protectores faciales, gafas o lentes de seguridad. Según corresponda, use máscaras contra polvo, protectores auditivos, guantes y delantales de trabajo que puedan detener pequeños fragmentos y abrasivos o de la pieza de trabajo. La protección ocular debe proteger de los residuos suspendidos en el aire que se generan por varias operaciones.** La protección ocular debe proteger de los residuos suspendidos en el aire que se generan por varias operaciones. La máscara contra polvo o el respirador deben filtrar las partículas generadas durante el funcionamiento. La exposición prolongada a ruidos de alta intensidad puede producir pérdida auditiva.
- **Mantenga a las personas presentes a una distancia segura del área de trabajo. Todas las personas que ingresen al área de trabajo deben usar equipo de protección personal.** Los fragmentos de la pieza de trabajo o de un accesorio roto pueden salir despedidos y causar lesiones más allá del área próxima al funcionamiento.
- **Sostenga la herramienta eléctrica por los asideros aislados sólo cuando realice una operación en la que el accesorio de corte pueda entrar en contacto con cables ocultos.** El accesorio de corte en contacto con un cable “vivo” puede “cargar” las partes metálicas expuestas de la herramienta eléctrica y dar una descarga eléctrica al operador.
- **Sostenga siempre la herramienta con las manos de manera firme al encender la herramienta.** El par de torsión de reacción del motor podría hacer que la herramienta gire, ya que acelera a toda velocidad.
- **Use abrazaderas para sostener la pieza de trabajo cuando resulte conveniente. Nunca sostenga una pieza de trabajo pequeña con una mano y la herramienta en la otra mano al utilizarla.** Si sostiene una pieza de trabajo pequeña con la ayuda de una abrazadera, podrá usar las manos para controlar la herramienta. Los materiales cilíndricos, como tarugos de madera o tubos, tienden a girar mientras los corta, lo que podría hacer que la broca se trabee o salte en dirección a usted.
- **Coloque el cable lejos del accesorio giratorio.** Si pierde el control, es posible que el cable se corte o se atore, y su mano o brazo pueden ser arrastrados hacia el accesorio en movimiento.
- **Nunca suelte la herramienta eléctrica antes de que el accesorio se haya detenido por completo.** El accesorio en movimiento puede prenderse de la superficie y hacer que usted pierda el control de la herramienta.
- **Después de cambiar las brocas o hacer ajustes, asegúrese de que la tuerca del portaherramientas, la mordaza u otros dispositivos de ajuste queden bien ajustados.** Los dispositivos de ajuste flojos pueden moverse de manera inesperada, lo que podría hacerle perder el control y lograr que los componentes giratorios flojos se disparen con violencia.
- **No haga funcionar la herramienta mientras la transporta a su costado.** El contacto accidental con el accesorio en movimiento puede enganchar la ropa y hacer que el accesorio se arrastre hacia el cuerpo.
- **Limpie regularmente las rejillas de ventilación de la herramienta eléctrica.** El ventilador del motor aspirará el polvo dentro de la carcasa y la acumulación excesiva de metal en polvo puede producir riesgos eléctricos.
- **No utilice la herramienta eléctrica cerca de materiales inflamables.** Las chispas pueden encender estos materiales.
- **No use accesorios que requieran refrigerantes líquidos.** El uso de agua u otros refrigerantes líquidos puede causar electrocución o descarga eléctrica.
- **El diámetro máximo recomendado de los discos, los conos roscados y los taponos montados no debe ex-ceder 55 mm (2,16 pulg.), y el diámetro máximo recomendado de los accesorios de lijado no debe exceder 80 mm (3,14 pulg.).**

## CONTRAGOLPE Y ADVERTENCIAS RELACIONADAS

El contragolpe es una reacción súbita a un disco en movimiento, accesorio para lijar, cepillo o cualquier otro accesorio pellizcado o atorado. El pellizcamiento o atoramiento hacen que el accesorio rotatorio se detenga repentinamente; esto, a la vez, hace que la herramienta eléctrica fuera de control sea despedida en dirección opuesta a la rotación del accesorio.

Por ejemplo, si un disco abrasivo se pellizca o atora en la pieza de trabajo, el borde del disco que entra en el punto de pellizcamiento puede penetrar en la superficie del material haciendo que el disco se salga o dé un contragolpe. Es posible que el disco salte hacia el operador o en dirección opuesta a él, según la dirección del movimiento del disco en el punto de pellizcamiento. Los discos abrasivos también se pueden romper en estas condiciones.

El contragolpe es el resultado del uso incorrecto de la herramienta eléctrica y/o de procedimientos o condiciones de trabajo incorrectas, y puede evitarse tomando las medidas de precaución adecuadas, como las señaladas abajo.

# ADVERTENCIAS DE SEGURIDAD DE HERRAMIENTA ROTATORIA

- **Sujete firmemente la herramienta eléctrica y coloque el cuerpo y los brazos de manera tal que resista la fuerza del contragolpe. El operador puede controlar las reacciones por el par de torsión o por las fuerzas de contragolpe, siempre que tome las precauciones adecuadas.**
- **Preste especial atención cuando trabaje sobre ángulos, bordes filosos, etc. Evite el rebote y el enganche del accesorio.** Los ángulos, los bordes filosos o el rebote tienden a enganchar el accesorio giratorio y hacer perder el control o producir contragolpes.
- **No acople una hoja de sierra dentada.** Dichas hojas producen frecuentes contragolpes y la pérdida de control.
- **Presione siempre la broca sobre el material en la misma dirección en que sale del material el borde cortante (es decir, en que se despiden las astillas).** Si presiona la herramienta en la dirección equivocada, el borde cortante de la broca saltará y empujará la herramienta en dirección a la presión.
- **Al usar limas giratorias, discos de corte, cortadores de alta velocidad o cortadores de carburo de wolframio, asegúrese de que la pieza de trabajo esté bien sujeta.** Estos discos quedarán atorados si los hunde ligeramente en las ranuras y pueden producir un contragolpe. Si un disco de corte queda atorado, el disco generalmente se rompe. Cuando se atora una lima giratoria, un cortador de alta velocidad o un cortador de carburo de wolframio, podría saltar de la ranura y usted podría perder el control de la herramienta.

## ADVERTENCIAS DE SEGURIDAD ESPECÍFICAS PARA OPERACIONES DE ESMERILADO O CORTE POR ABRASIÓN:

- **Sólo utilice los TIPOS DE DISCOS recomendados para su herramienta eléctrica y solo para aplicaciones recomendadas. Por ejemplo: no esmerile con el costado del disco de corte.** Los discos de corte abrasivos están diseñados para el esmerilado periférico, las fuerzas laterales que se apliquen a estos discos pueden hacer que se rompan en pedazos.
- **Para los conos y accesorios abrasivos roscados, use solo mandriles de disco no dañados con una superficie de soporte del accesorio plana que no permita que el accesorio se salga, y de tamaño y longitud correctos.** Los mandriles apropiados reducirán la posibilidad de roturas.
- **Evite forzar el disco de corte o aplicar demasiada presión. No intente realizar un corte excesivamente profundo.** Al forzar demasiado el disco, aumentan la carga y la propensión de que este se doble o se atasque durante el corte. También es posible que se produzca un contragolpe o se dañe el disco.
- **No coloque la mano en línea con el disco en movimiento ni detrás de él.** Cuando el disco se aleje de la mano en el momento de la operación, el posible contragolpe podría impulsar el disco giratorio y la herramienta eléctrica directamente hacia usted.
- **Cuando el disco se atasque o se interrumpa el corte por algún motivo, debe apagar la herramienta eléctrica y mantenerla inmóvil hasta que el disco se detenga por completo. Nunca intente quitar el disco de corte de este**

**mientras esté en movimiento; si lo hace, se puede producir un contragolpe.** Investigue y tome las medidas correctivas pertinentes para eliminar la causa del atasco del disco.

- **No reinicie la operación de corte en la pieza de trabajo. Permita que el disco alcance la máxima velocidad y vuelva a introducirlo en la pieza de trabajo cuidadosamente.** El disco puede atascarse, moverse hacia atrás o producir un contragolpe si la herramienta eléctrica se vuelve a encender en la pieza de trabajo.
- **Sujete los paneles o cualquier pieza de trabajo demasiado grande para minimizar el riesgo de atoramiento y contragolpe del disco.** Las piezas de trabajo grandes tienden a pandearse por su propio peso. Se deben colocar soportes debajo de la pieza de trabajo, cerca de la línea de corte y cerca del borde de la pieza de trabajo a ambos lados del disco.
- **Tenga especial cuidado al efectuar cortes en cavidad en paredes existentes o en otras partes ciegas (que no permitan ver qué hay detrás).** El disco que sobresale podría cortar tuberías de gas o agua, cables eléctricos u objetos que podrían provocar un contragolpe.

## ADVERTENCIAS DE SEGURIDAD ESPECÍFICAS PARA LAS OPERACIONES DEL CEPILLO DE ALAMBRE

- **Tenga presente que el cepillo arroja cerdas de alambre incluso durante el funcionamiento normal. No fuerce demasiado las cerdas de alambre al aplicar una carga excesiva sobre el cepillo.** Las cerdas pueden penetrar fácilmente las prendas finas y la piel.
- **Deje que los cepillos funcionen a velocidad operativa durante, al menos, un minuto antes de usarlos. Durante ese tiempo, asegúrese de que no haya nadie parado en frente o en línea con el cepillo.** Las cerdas o los alambres sueltos saldrán despedidos durante el funcionamiento.
- **Dirija la descarga del cepillo de alambre en movimiento en dirección opuesta a usted. Pequeñas partículas y fragmentos de alambre podrían salir disparados a gran velocidad durante el uso de estos cepillos e incrustarse en la piel.**

## REGLAS ADICIONALES DE SEGURIDAD




- **ADVERTENCIA - Parte del polvo que genera el lijado, el aserrado, el esmerilado, la perforación y otras actividades comunes de herramientas giratorias eléctricas contiene sustancias químicas que se sabe que causan cáncer, defectos de nacimiento u otros daños reproductivos.** Algunos ejemplos de estas sustancias químicas son:
  - Plomo de pinturas a base de plomo,
  - Sílice cristalino de los ladrillos, del cemento y de otros productos de albañilería y
  - Arsénico y cromo de la madera tratada químicamente.
- El riesgo de exposición a estos compuestos varía según la frecuencia con que se realice este tipo de trabajo. Para reducir su exposición a estas sustancias químicas: trabaje en áreas bien ventiladas y con equipamiento de seguridad aprobado, tal como máscaras para polvo especialmente diseñadas para filtrar partículas microscópicas.

# ADVERTENCIAS DE SEGURIDAD DE HERRAMIENTA ROTATORIA







- **Use siempre protección adecuada con el disco de esmerilado.** La protección resguarda al operador y lo protege de fragmentos de disco rotos.
- **Familiarícese con su herramienta eléctrica.** Lea cuidadosamente el manual del operador. Aprenda sus usos y limitaciones, así como los posibles peligros específicos de esta herramienta. Con el cumplimiento de esta regla se reduce el riesgo de una descarga eléctrica, incendio o lesión seria.
- **Siempre use protección ocular con laterales protectores con la marca de cumplimiento con la norma ANSI Z87.1 al ensamblar piezas, utilizar la herramienta o llevar a cabo tareas de mantenimiento.** Con el cumplimiento de esta regla se reduce el riesgo de lesiones corporales serias.
- **Protéjase los pulmones. Use una careta o mascarilla contra el polvo si la operación genera mucho polvo.** Con el cumplimiento de esta regla se reduce el riesgo de lesiones serias.
- **Protéjase los oídos. Durante períodos prolongados de utilización del producto, póngase un protecteur d'oreille.** Con el cumplimiento de esta regla se reduce el riesgo de lesiones corporales serias.
- **Este producto no está diseñado para acicalar mascotas, trabajos dentales ni otras aplicaciones médicas para humanos o animales.**
- **Mantenga a las mascotas alejadas mientras utiliza esta herramienta.**
- **Revise para ver si hay piezas dañadas. Antes de seguir utilizando la herramienta, es necesario inspeccionar cuidadosamente toda protección o pieza dañada para determinar si funcionará correctamente y desempeñará la función a la que está destinada. Verifique la alineación de las partes móviles, que no haya atoramiento de partes móviles, que no haya piezas rotas, el montaje de las piezas y cualquier otra condición que pudiera afectar su funcionamiento. Toda protección o pieza que esté dañada debe repararse apropiadamente o reemplazarse en un centro de servicio autorizado.** Con el cumplimiento de esta regla se reduce el riesgo de una descarga eléctrica, incendio o lesión grave.
- **Inspeccione la madera y elimine todos los clavos presentes en la misma antes de usar esta herramienta eléctrica.** Seguir esta regla reduce el riesgo de lesiones graves.
- **No esmerile ni lije materiales inflamables por calor.** Las chispas de la muela pueden encender estos materiales.
- **Este producto no es para uso como fresa dental ni para aplicaciones en seres humanos o veterinarias.** Se pueden causar lesiones serias.
- **Al usar tornillos de acero, discos de trocear, fresas de alta velocidad o fresas de carburo de tungsteno, tenga siempre la pieza de trabajo firmemente asegurada. Nunca intente tomar la pieza de trabajo con la mano mientras usa cualquiera de estos accesorios.**
- **No se necesita conectar a una toma de corriente las herramientas de baterías; por lo tanto, siempre están en condiciones de funcionamiento. Esté consciente de los posibles peligros cuando no esté usando la herramienta de baterías o cuando esté cambiando los accesorios de la misma.** Con el cumplimiento de esta regla se reduce el riesgo de una descarga eléctrica, incendio o lesión corporal seria.
- **No coloque herramientas de baterías ni las baterías mismas cerca del fuego o del calor.** De esta manera se reduce el riesgo de explosiones y de lesiones.
- **No aplaste, deje caer o dañe de baterías. Nunca utilice una batería o cargador que se ha caído, aplastado, recibido un golpe contundente o ha sido dañado(a) de alguna manera.** Las baterías dañadas pueden sufrir explosiones. Deseche de inmediato toda batería que haya sufrido una caída o cualquier daño.
- **Las baterías pueden explotar en presencia de fuentes de inflamación, como los pilotos de gas.** Para reducir el riesgo de lesiones serias, nunca use un producto inalámbrico en presencia de llamas expuestas. La explosión de una batería puede lanzar fragmentos y compuestos químicos. Si ha quedado expuesto a la explosión de una batería, lávese de inmediato con agua.
- **En condiciones extremas de uso o temperatura las baterías pueden emanar líquido. Si el líquido llega a tocarle la piel, lávese de inmediato con agua y jabón. Si le entra líquido en los ojos, láveselos con agua limpia por lo menos 10 minutos, y después busque de inmediato atención médica.** Con el cumplimiento de esta regla se reduce el riesgo de lesiones corporales serias.
- **Para material orgánico, se requiere un accesorio de eje flexible. Se requiere una limpieza y desinfección adecuadas después del uso. A cualquier material, incluido material orgánico, cortado o alterado por esta herramienta no está destinado ni es apto para el consumo humano.**
- **Guarde estas instrucciones.** Consúltelas con frecuencia y empléelas para instruir a otras personas que puedan utilizar esta herramienta. Si presta a alguien esta herramienta, facilítela también las instrucciones.

# SÍMBOLOS

Las siguientes palabras de señalización y sus significados tienen el objeto de explicar los niveles de riesgo relacionados con este producto.

SÍMBOLO	SEÑAL	SIGNIFICADO
	<b>PELIGRO:</b>	Indica una situación peligrosa, la cual, si no se evita, causará la muerte o lesiones serias.
	<b>ADVERTENCIA:</b>	Indica una situación peligrosa, la cual, si no se evita, podría causar la muerte o lesiones serias.
	<b>PRECAUCIÓN:</b>	Indica una situación peligrosa, la cual, si no se evita, podría causar lesiones menores o leves.
	<b>AVISO:</b>	(Sin el símbolo de alerta de seguridad) Indica la información que se considera importante, pero no relacionada con lesiones potenciales (por ej. en relación a daños a la propiedad).

Es posible que se empleen en este producto algunos de los siguientes símbolos. Le suplicamos estudiarlos y aprender su significado. Una correcta interpretación de estos símbolos le permitirá utilizar mejor y de manera más segura el producto.

SÍMBOLO	NOMBRE	DENOMINACIÓN/EXPLICACIÓN
	Alerta de seguridad	Indica un peligro posible de lesiones personales.
	Lea el manual del operador	Para reducir el riesgo de lesiones, el usuario debe leer y comprender el manual del operador antes de usar este producto.
	Protección ocular y respiratoria	Siempre póngase protección ocular con la marca de cumplimiento de la norma ANSI Z87.1. Es posible que se también requiera una protección respirar, según el tipo de accesorio usado y según se describe en otra parte de éste Manual del operador.
	Alerta de condiciones húmedas	No exponga la unidad a la lluvia ni la use en lugares húmedos.
	Cabello largo	Recójase el cabello si lo tiene largo, de manera que le quede arriba de los hombros para evitar que se enrede en las piezas en movimiento.
	Símbolo de reciclado	Este producto utiliza baterías de iones de litio (Li-ion). Es posible que algunas leyes municipales, estatales o federales prohíban desechar las baterías en la basura normal. Consulte a las autoridades reguladoras de desechos para obtener información en relación con las alternativas de reciclado y desecho disponibles.
V	Volts	Voltaje
min	Minutos	Tiempo
==	Corriente continua	Tipo o característica de corriente
n	Velocidad nominal	Velocidad de rotación
.../min	Por minuto	Revoluciones, carreras, velocidad superficial, órbitas, etc., por minuto

# CARACTERÍSTICAS

## ESPECIFICACIONES DEL PRODUCTO

Portaherramientas de cambio rápido..... Universal de 3,2 mm (1/8 pulg.)  
 Velocidad nominal ..... 1000-25000/min(RPM)  
 Capacidad de pedal de pie ..... Si

# ARMADO

## ESEMPAQUETADO

Este producto requiere armarse.

- Extraiga cuidadosamente de la caja la herramienta y los accesorios. Todos los elementos enumerados en la sección **Incluye** se deben incluir al momento de la compra.

### ADVERTENCIA:

Las piezas incluidas en esta sección de Armado no vienen ensambladas en el producto de fábrica y requieren la instalación por parte del cliente. El uso de un producto que pueda haber sido armado de manera incorrecta podría provocar lesiones personales graves.

- Si hay piezas dañadas o faltantes, llame al 1-800-525-2579, donde le brindaremos asistencia. En México, llame al 800-843-1111.

### ADVERTENCIA:

Si falta o está dañada alguna pieza, no utilice este producto sin haber reemplazado la pieza. Usar este producto con partes dañadas o faltantes puede causar lesiones serias al operador.

### ADVERTENCIA:

No intente modificar este producto ni hacer aditamentos ni accesorios no recomendados para el mismo. Cualquier alteración o modificación constituye maltrato el cual puede causar una condición peligrosa, y como consecuencia posibles lesiones corporales serias.

## CÓMO CONECTAR EL SOPORTE PARA PLUMA Y EL TUBO FLEXIBLE A LA CONSOLA DE LA HERRAMIENTA ROTATORIA

Vea la figura 1, página 14.

El soporte para pluma se puede colocar del lado izquierdo o derecho de la clavadora, según la preferencia del operador.

- Deslice el reborde del soporte para pluma en la abertura del lateral de la consola de la herramienta rotatoria hasta que encaje.

**NOTA:** Una vez que encaje, la lengüeta del reborde quedará enganchada en la carcasa, lo que hará que el soporte para pluma quede firme.

- Coloque el casquillo del tubo flexible en la salida roscada de la consola de la herramienta giratoria.
- Rósquelo en sentido horario y ajústelo con firmeza.

# FUNCIONAMIENTO

### ADVERTENCIA:

No permita que su familiarización con las herramientas lo vuelva descuidado. Tenga presente que un descuido de un instante es suficiente para causar una lesión grave.

### ADVERTENCIA:

Siempre retire el paquete de baterías de la herramienta cuando esté ensamblando partes, realizando ajustes, cambiar accesorios, limpiando o cuando ésta no esté en uso. Retirando el paquete de baterías se evita arrancar accidentalmente la unidad, lo cual puede causar lesiones serias.

### ADVERTENCIA:

Siempre póngase protección ocular con la marca de cumplimiento de la norma ANSI Z87.1. Es posible que se también requiera una protección para los oídos, según el tipo de accesorio usado y según se describe en otra parte de éste Manual del operador. Si no cumple esta advertencia, los objetos que salen despedidos pueden producirle lesiones serias en los ojos.

### ADVERTENCIA:

No utilice ningún aditamento o accesorio no recomendado por el fabricante de esta producto. El empleo de aditamentos o accesorios no recomendados podría causar lesiones serias.

### ADVERTENCIA:

Antes de cada uso, asegúrese de que el mango de la pluma esté asegurado al tubo flexible. Si es necesario, presione el mango de la pluma en el tubo para asegurarse de que el mango esté completamente al nivelado contra el tubo flexible. Si no asegura el mango, podría salirse del tubo flexible, lo que expondría el eje giratorio y podría provocarle lesiones personales graves. Durante el uso, verifique periódicamente para asegurarse de que el mango de la pluma permanezca asegurado al tubo flexible.

### ADVERTENCIA:

El eje continuará girando cuando la batería esté instalada y el interruptor de ENCENDIDO/APAGADO esté en la posición de ENCENDIDO (ON). Si no asegura el mango de la pluma en el tubo flexible, podría entrar en contacto con el eje giratorio y sufrir lesiones personales graves.

# FUNCIONAMIENTO

## AVISO:

Para evitar daños en el husillo o el bloqueo del husillo, siempre deje que el motor se detenga por completo antes de activar el bloqueo del husillo.

## APLICACIONES

Este producto puede emplearse para los fines enumerados abajo:

- Tallar, grabar, pulir, limpiar, eliminar óxido, lijar, cortar, esmerilar, afilar, perforar y fresar

## CÓMO COLGAR LA HERRAMIENTA ROTATORIA

### ADVERTENCIA:

No use el colgador de herramienta para colgarse la herramienta en el cuerpo. No suspenda la herramienta sobre su cabeza. Colóquela solamente sobre superficies estables y seguras.

### ADVERTENCIA:

Sostenga siempre la pieza de mano firmemente con la mano. Para evitar lesiones graves, no monte la pieza de mano con tubo flexible en ninguna estación de hobby.

- Apague la herramienta y retire los accesorios.
- Gire el colgador de herramienta hacia fuera y cuelgue la herramienta en una estructura adecuada y estable.
- El consola de la herramienta rotatoria dispone de una ranura en forma de bocallave para colgarlo que permite guardarlo de manera conveniente y economizadora de espacio. Los tornillos deben instalarse a una distancia central entre sí de 100 mm (4 pulg.).

## INSTALACIÓN/QUITAR DEL PAQUETE DE BATERÍAS

Vea la figura 2, página 15.

### Para instalar:

- Coloque el paquete de baterías.
- Asegúrese de que los pestillos situados a ambos lados del paquete de baterías entren a presión en su lugar y de que el paquete se coloque correctamente en el producto antes de empezar a utilizarlo.

### Para quitar:

- Oprima los pestillos de cada lado del paquete de baterías.

Para obtener instrucciones específicas de carga, lea el manual del operador que se incluye con el cargador y la batería.

### ADVERTENCIA:

Las productos de baterías siempre están en condiciones de funcionamiento. Por lo tanto, siempre debe estar asegurado el interruptor cuando no esté usándose o el operador lo lleve por un lado.

## PORTAHERRAMIENTAS DE CAMBIO RÁPIDO

Vea la figura 3, página 15.

**NOTA:** La herramienta viene con un portaherramientas preinstalado y maquinado que se adapta a accesorios con un vástago de 3,2 mm (1/8 pulg.) de diámetro. Una vez instalado, el portaherramientas de cambio rápido permite al usuario cambiar los accesorios sin usar herramientas y sin quitar el portaherramientas del eje. El portaherramientas de cambio rápido no es compatible con vástagos de 1,6 mm.

### Para quitar o instalar el portaherramientas de cambio rápido:

- Retire el paquete de baterías.
- Oprima y mantenga el botón de bloqueo del husillo hacia delante y gire el eje con la mano hasta que el seguro del husillo calce en el eje e impida que siga girando.
- Con el bloqueo del husillo activado, coloque la llave del portaherramientas de 9,5 mm (3/8 pulg.) incluida en el extremo roscado del portaherramientas y gire hacia la izquierda para aflojarlo.
- Retire el portaherramientas de cambio rápido.
- **Para instalarlo,** active el bloqueo del husillo, coloque el portaherramientas de cambio rápido en el eje y use la llave del portaherramientas de 9,5 mm (3/8 pulg.) incluida para girar el extremo roscado del portaherramientas de cambio rápido hacia la derecha.

### ADVERTENCIA:

Siempre use el portaherramientas que coincida con el tamaño de fuste del accesorio que planea usar. Nunca fuerce un fuste de diámetro grande al introducirlo en un portaherramientas. El accesorio debe entrar suavemente en el portaherramientas, pero deberá poder apretar el accesorio firmemente para que quede fijo con el portaherramientas de cambio rápido.

## INSTALACIÓN/DESMONTAJE DE LOS ACCESORIOS

Vea la figura 4, página 15.

### ADVERTENCIA:

Para evitar lesiones serias, nunca use una broca de fresadora en el accesorio del eje flexible.

### Para instalar:

- Quite la batería de la herramienta.
- Elija un accesorio que se ajuste al portaherramientas y que sea adecuado para la aplicación en cuestión.
- Asegúrese de que portaherramientas de cambio rápido esté instalado de forma segura en el eje
- Mientras presiona el seguro del husillo, afloje el portaherramientas con la mano girando el casquillo hacia la izquierda.



# FUNCIONAMIENTO

- Introduzca el fuste del accesorio en la tuerca del portaherramientas hasta que llegue al fondo, y luego extráigalo 1,59 mm (1/16 pulg.) para permitir la expansión cuando se caliente el accesorio.
- Gire el casquillo del portaherramientas hacia la derecha hasta que el enganche se detenga y el vástago del accesorio quede agarrado por el portaherramientas.

**NOTA:** Si el casquillo no se puede ajustar o aflojar lo suficiente a mano, use la llave del portaherramientas de 9,53 mm incluida en el área hexagonal superior del portaherramientas. Gire hacia la derecha para ajustar o hacia la izquierda para aflojar.

## Para el desmontaje:

- Quite la batería de la herramienta.
- Enganche el bloqueo del husillo.
- Gire la manga del portaherramientas hacia la izquierda para aflojarlo.
- Retire el accesorio.

**NOTA:** Al intentar quitar un accesorio, si el portaherramientas de cambio rápido comienza a desenroscarse de la herramienta, repita el proceso de instalación.

## PELIGRO:

Si planea cambiar un accesorio inmediatamente después de usarlo, tenga cuidado de no tocar el portaherramientas, la tuerca del portaherramientas ni el accesorio con las manos o los dedos. Puede quemarse debido al calor acumulado durante el corte. Siempre use la llave suministrada.

## USO DEL MANDRIL

Vea la figura 5, página 15.

Uno de los tipos más comunes de mandril que se utiliza con esta herramienta es el mandril estándar que se usa con discos de troceado, muelas abrasivas, muelas de esmeril y muelas de troceado. El mandril roscado se utiliza con discos y tambores pulidores. El mandril de tambor se utiliza con tambores lijadores.

### Para la instalación:

- Retire el paquete de baterías.
- Instale el mandril.

### Si utiliza el mandril estándar:

- Oprima y mantenga el botón de bloqueo del husillo hacia adelante y gire el mandril con la mano hasta que se active el bloqueo del husillo, evitando así una mayor rotación.
- Introduzca el extremo para ranuras de la llave suministrada en la ranura de la parte superior del mandril y desenrosque.
- Retire el tornillo y la arandela del mandril.
- Coloque el accesorio deseado sobre el eje del mandril y alinee el orificio del accesorio con el orificio del mandril.
- Introduzca el tornillo del mandril con la arandela a través del orificio del accesorio y el del eje del mandril.

**NOTA:** La arandela del mandril debe colocarse entre el tornillo del mandril y el accesorio.

- Apriete usando la llave suministrada.

### Si utiliza el mandril roscado:

- Alinee el orificio del accesorio deseado con la cabeza del tornillo del mandril.
- Atornille el accesorio en el mandril girándolo a la derecha hasta que quede ajustado.

### Si utiliza el mandril de tambor:

- Alinee el tambor de lijado del tamaño adecuado sobre el mandril y empuje hacia abajo hasta cubrir por completo el extremo para tambor del mandril.

**NOTA:** Si es necesario, apriete el tornillo en la cabeza del mandril de tambor para expandir el tambor y sujetar firmemente el tambor de lijado en su lugar.

## EQUILIBRIO DE LOS ACCESORIOS

Para lograr un trabajo preciso, es importante que todos los accesorios estén equilibrados adecuadamente. Para equilibrar un accesorio, afloje levemente la tuerca del portaherramientas y gire el accesorio o el portaherramientas 6,35 mm (1/4 pulg.). Por lo que escuche y sienta al tacto, debe poder darse cuenta si el accesorio está funcionando equilibradamente. Siga ajustando de esta manera hasta obtener el mejor equilibrio posible. Reemplace los accesorios si se dañan o desequilibran.

## CÓMO ENCENDER Y APAGAR LA HERRAMIENTA ROTATORIA

Vea la figura 6, página 15.

- Para **encender** la herramienta: mueva el INTERRUPTOR ENC./APAG. a la posición ENC.
- Para **apagar** la herramienta: mueva el INTERRUPTOR ENC./APAG. a la posición APAG.

## SELECCIÓN DE LA VELOCIDAD CORRECTA

Vea la figura 6, página 15.

Para aumentar la velocidad de la herramienta, gire el selector de control de velocidad hacia la derecha. Para disminuir la velocidad de la herramienta, gire el selector hacia la izquierda. Para controlar la velocidad con un pedal de pie (no incluido), gire el selector completamente hacia la izquierda.

La herramienta rotatoria tiene una gama de velocidad que va desde 1 000 hasta 25 000 RPM. Para seleccionar la velocidad correcta para cada tarea, use una pieza de material de práctica. Varíe la velocidad hasta encontrar la mejor velocidad para el accesorio que está utilizando y la tarea que tiene que realizar.

Use el selector de control de velocidad para establecer la velocidad apropiada para el trabajo. Cuando configure el selector en la máxima velocidad, logrará 25 000 r/min.

Consulte la tabla **Recomendaciones de velocidad según la aplicación** para determinar la velocidad adecuada según el material con el que se trabaja y el tipo de accesorio que se utiliza.

## VELOCIDADES LENTAS

Ciertos materiales (p. ej., algunos plásticos) requieren una velocidad relativamente baja, dado que la fricción de la herramienta genera calor y hace que el plástico se derrita a alta velocidad.

# FUNCIONAMIENTO

Las velocidades bajas (15 000 RPM o menos) suelen ser las ideales para las operaciones de pulido en las que se utilicen accesorios de pulido. También pueden ser las velocidades ideales para trabajar en proyectos delicados, tallado de madera delicado y con piezas de modelos frágiles.

Las velocidades más altas son ideales para tallar, cortar y moldurar madera.

Las maderas duras, los metales y el vidrio requieren una alta velocidad de funcionamiento. El taladrado debe realizarse a altas velocidades.

Para determinar la velocidad de funcionamiento óptima para los distintos materiales y accesorios, consulte la tabla **Recomendaciones de velocidad según la aplicación**. Mire esta tabla y familiarícese con ella.

La mejor manera de determinar la velocidad correcta para trabajar con cualquier material es practicar durante algunos minutos en una pieza de desecho, incluso después de consultar la tabla. Rápidamente, puede darse cuenta si una velocidad

más baja o más alta es más efectiva, simplemente observando lo que sucede cuando realiza una o dos pasadas a diferentes velocidades.

Cuando se trabaja con una pieza de desecho de plástico, comience trabajando a una baja velocidad y aumentela hasta advertir si el plástico se derrite en el punto de contacto; reduzca levemente la velocidad para obtener una velocidad de trabajo óptima, sin que se derrita la pieza de trabajo.

## NOTA:

- El plástico y los materiales que pueden derretirse en temperaturas bajas deben cortarse a una velocidad baja.
- La madera blanda debe cortarse a alta velocidad.
- El aluminio, el estaño y las aleaciones de cobre, plomo y cinc pueden cortarse a cualquier velocidad, según el tipo de corte que se realice. Use parafina u otro lubricante adecuado sobre la fresa para evitar que el material cortado se adhiera a los dientes de la fresa.

## RECOMENDACIONES DE VELOCIDAD SEGÚN LA APLICACIÓN\*

Tipo de accesorio	Madera suave	Madera dura	Laminados plásticos	Acero	Aluminio, latón, etc.	Piedra incrustada/ Piedra	Cerámica	Vidrio
Discos de troceado	15-35K	15-35K	5-15K	35K	35K	N/A	N/A	N/A
Discos de trocear de fibra de vidrio	15-35K	15-35K	5-15K	35K	35K	N/A	N/A	N/A
Tambores de lijado	15-35K	15-35K	5-15K	15-35K	15-35K	15-35K	N/A	N/A
Disco de pulido de fieltro	5-15K	5-15K	5-15K	5-15K	5-15K	5-15K	5-15K	5-15K
Piedras de esmeril de óxido de aluminio	15-35K	15-35K	5-15K	15-35K	15-35K	N/A	N/A	N/A
Piedra de esmeril de carburo de silicón	N/A	N/A	N/A	15-35K	15-35K	15-35K	5-35K	N/A
Broca de acero de alta velocidad	35K	35K	15-35K	35K	35K	—	—	—
Trépano cortante para paneles de yeso	35K (sólo para paneles de yeso)							

\* Los ajustes proporcionados en la tabla son recomendaciones de rangos de funcionamiento para lograr un mejor rendimiento.

# FUNCIONAMIENTO

## USO DE UN PEDAL DE PIE (NO INCLUIDO)

Vea las figuras 7 y 8, páginas 15 y 16.

### Para instalar un pedal de pie (no incluido):

- Apague la herramienta rotatoria.
- Abra la tapa del puerto del pedal en la parte delantera de la consola de la herramienta giratoria.
- Inserte el cable del pedal en el puerto del pedal en la consola de la herramienta giratoria como se muestra en la imagen. Enrute el cable y coloque el pedal con cuidado para evitar tropiezos o enganches.

### Para usar un pedal de pie (no incluido):

- Apague la herramienta rotatoria.
- Gire el selector de control de velocidad completamente hacia la izquierda hasta la posición de “pedal de pie” (foot pedal).
- Siga las instrucciones del manual del operador del pedal de pie RYOBI para usar el pedal.

## UTILIZACIÓN DE LA HERRAMIENTA ROTATORIA

Vea la figura 9, página 16.

### Cómo usar la herramienta rotatoria:

- Sostenga la pluma con la mano y acostúmbrese a su peso, equilibrio y a la porción cónica del armazón. Esta porción cónica permite sujetar la pluma como si fuera un lápiz.
- Examine cuidadosamente los accesorios de la herramienta rotatoria. Los accesorios dañados pueden salir lanzados al tomar velocidad y, por lo tanto, no se los debe utilizar. El uso de accesorios dañados puede producir lesiones serias.
- Practique primero con materiales de desecho para ver cómo funciona la herramienta. Tenga presente que el trabajo es realizado por la velocidad de la herramienta y el accesorio que se encuentra en el portaherramientas. Usted no debe inclinarse sobre la herramienta ni empujarla contra la pieza de trabajo.

Se recomienda hacer una serie de pasadas con la herramienta en lugar de intentar completar todo el trabajo en una sola pasada. Para efectuar un corte, mueva la herramienta hacia atrás y hacia adelante sobre la pieza de trabajo como si fuera un pincel pequeño. Corte un poco de material en cada pasada hasta alcanzar la profundidad deseada. Para la mayoría de los trabajos, es mejor usar la herramienta con suavidad; tendrá mayor control, cometerá menos errores y logrará que el accesorio realice un trabajo más eficiente.

Para tener mayor control en un trabajo minucioso, sujete la herramienta como si fuera un lápiz colocándola entre el pulgar y el índice.

Se utiliza el método de “empuñadura del mango” para sujetar la herramienta para operaciones como el esmerilado de una superficie plana o el uso de discos de troceado.

### Para utilizar la herramienta rotatoria:

- Asegure la pieza de trabajo con una prensa fija o una prensa de mano en un banco de trabajo para evitar que se mueva bajo la herramienta.
- Sostenga la herramienta al frente y lejos de usted, sin que el accesorio de la herramienta toque la pieza de trabajo.
- Encienda la herramienta y deje que el motor y el accesorio alcancen la máxima velocidad.
- Baje gradualmente la herramienta hasta que el accesorio toque la pieza de trabajo.
- Mueva continuamente la herramienta, a un paso estable y uniforme.
- Aplique justamente la presión suficiente para evitar el traqueteo y el rebote de la herramienta.

**NOTA:** Una presión elevada disminuye la velocidad de la herramienta y exige más esfuerzo por parte del motor. El peso de la herramienta por sí mismo suministra la presión adecuada para la mayoría de los trabajos.

- Levante la herramienta para separarla de la pieza de trabajo antes de apagarla.

# MANTENIMIENTO

## ADVERTENCIA:

Al dar servicio a la unidad, sólo utilice piezas de repuesto idénticas. El empleo de piezas diferentes puede causar un peligro o dañar el producto.

## ADVERTENCIA:

Siempre póngase protección ocular con la marca de cumplimiento de la norma ANSI Z87.1. Si no cumple esta advertencia, los objetos que salen despedidos pueden producirle lesiones serias en los ojos.

## ADVERTENCIA:

Para evitar lesiones corporales graves, siempre retire el paquete de baterías de la herramienta al limpiarla, darle mantenimiento o guardarla.

## ADVERTENCIA:

Antes de cada uso, asegúrese de que el mango de la pluma esté asegurado al tubo flexible. Si es necesario, presione el mango de la pluma en el tubo para asegurarse de que el mango esté completamente al nivelado contra el tubo flexible. Si no asegura el mango, podría salirse del tubo flexible, lo que expondría el eje giratorio y podría provocarle lesiones personales graves. Durante el uso, verifique periódicamente para asegurarse de que el mango de la pluma permanezca asegurado al tubo flexible.

## ADVERTENCIA:

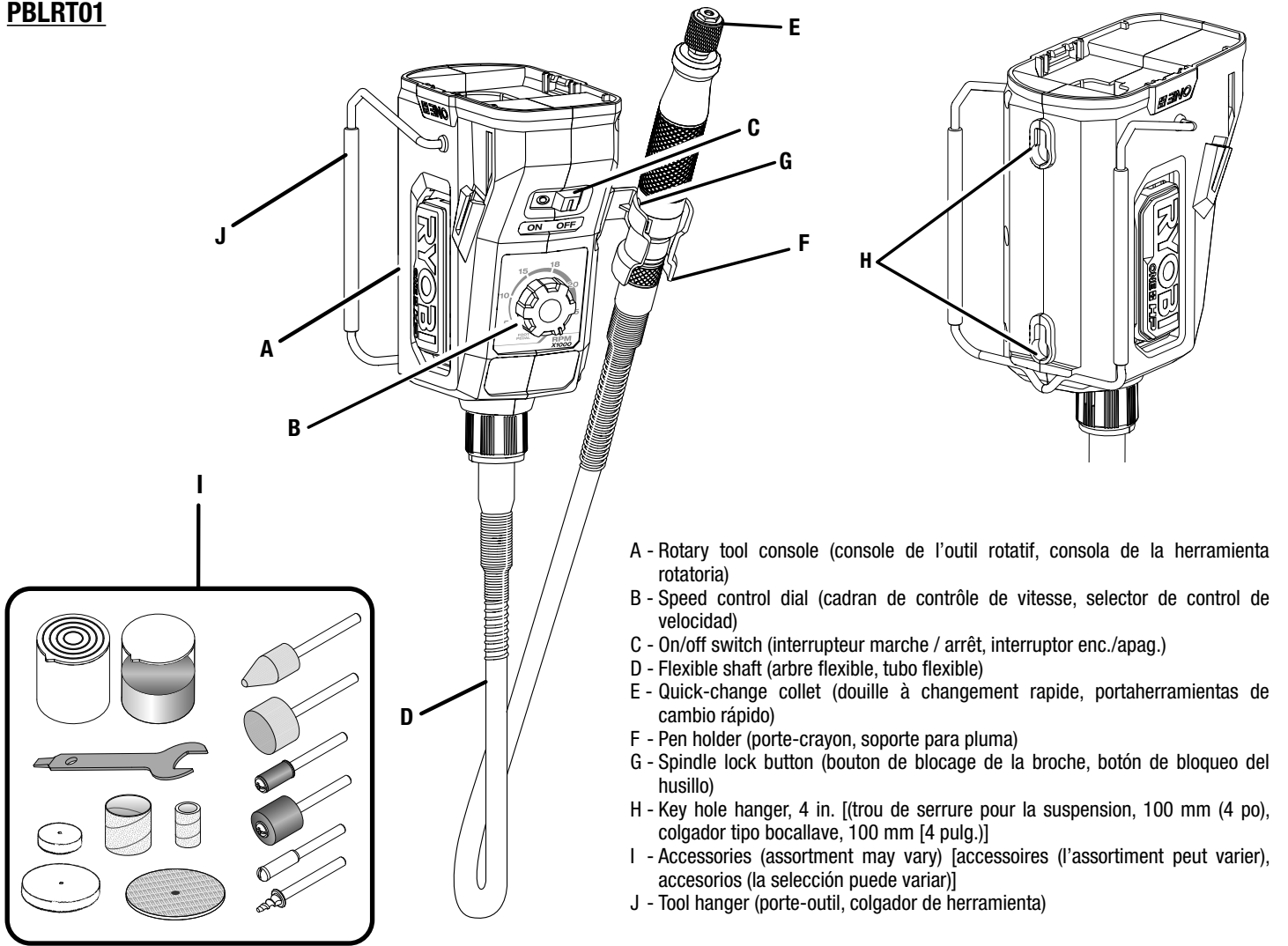
El eje continuará girando cuando la batería esté instalada y el interruptor de ENCENDIDO/APAGADO esté en la posición de ENCENDIDO (ON). Si no asegura el mango de la pluma en el tubo flexible, podría entrar en contacto con el eje giratorio y sufrir lesiones personales graves.

## MANTENIMIENTO GENERAL

Evite el empleo de solventes al limpiar piezas de plástico. La mayoría de los plásticos son susceptibles a diferentes tipos de solventes comerciales y pueden resultar dañados. Utilice paños limpios para eliminar la suciedad, el polvo, el aceite, la grasa, etc.

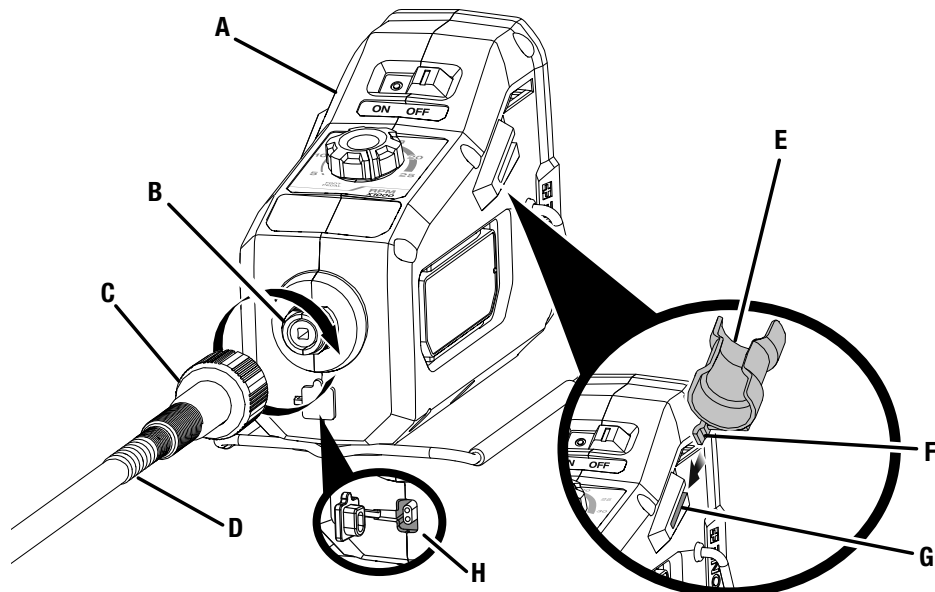
## ADVERTENCIA:

No permita en ningún momento que fluidos para frenos, gasolina, productos a base de petróleo, aceites penetrantes, etc., lleguen a tocar las piezas de plástico. Las sustancias químicas pueden dañar, debilitar o destruir el plástico, lo cual a su vez puede producir lesiones corporales serias.



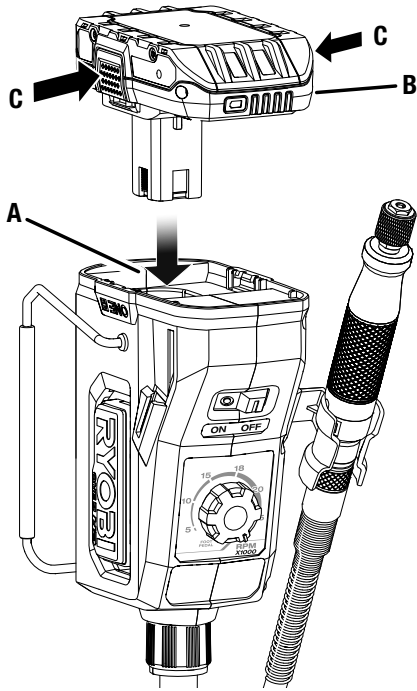
- A - Rotary tool console (console de l'outil rotatif, consola de la herramienta rotatoria)
- B - Speed control dial (cadran de contrôle de vitesse, selector de control de velocidad)
- C - On/off switch (interrupteur marche / arrêt, interruptor enc./apag.)
- D - Flexible shaft (arbre flexible, tubo flexible)
- E - Quick-change collet (douille à changement rapide, portaherramientas de cambio rápido)
- F - Pen holder (porte-crayon, soporte para pluma)
- G - Spindle lock button (bouton de blocage de la broche, botón de bloqueo del husillo)
- H - Key hole hanger, 4 in. [(trou de serrure pour la suspension, 100 mm (4 po), colgador tipo bocallave, 100 mm [4 pulg.])]
- I - Accessories (assortment may vary) [accessoires (l'assortiment peut varier), accesorios (la selección puede variar)]
- J - Tool hanger (porte-outil, colgador de herramienta)

Fig. 1



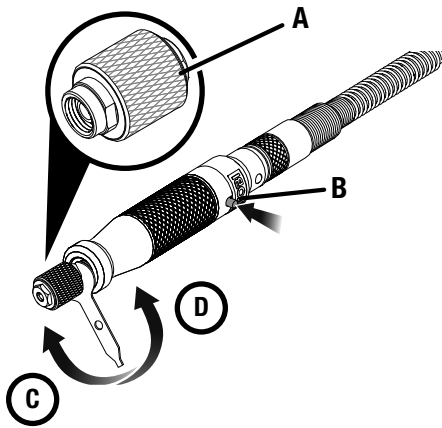
- A - Rotary tool console (console de l'outil rotatif, consola de la herramienta rotatoria)
- B - Threaded outlet (raccord fileté, salida con rosca)
- C - Collar (collier, casquillo)
- D - Flexible shaft (arbre flexible, tubo flexible)
- E - Pen holder (porte-crayon, soporte para pluma)
- F - Flange (sabot, brida)
- G - Opening (ouverture, apertura)
- H - Foot pedal port (port de pédale, puerto de pedal de pie)

**Fig. 2**



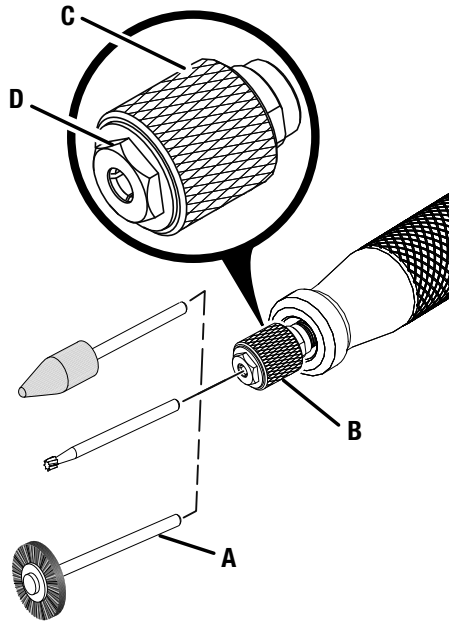
- A - Battery port (logements des pile, puerto de batería)
- B - Battery pack (bloc-pile, paquete de batería)
- C - Latches (loquets, pestillos)

**Fig. 3**



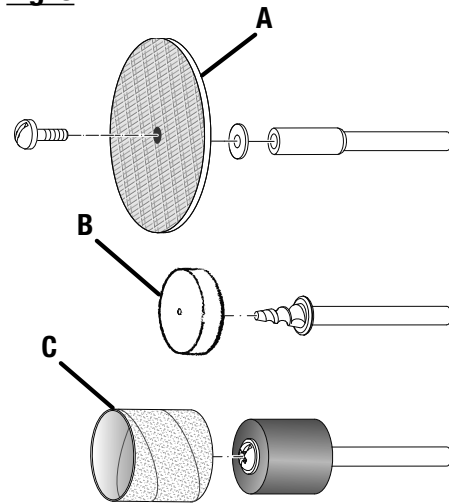
- A - Quick-change collet (douille à changement rapide, portaherramientas de cambio rápido)
- B - Spindle lock button (bouton de verrouillage de la broche, seguro del husillo)
- C - Tighten (serrer, apretar)
- D - Loosen (desserrer, aflojar)

**Fig. 4**



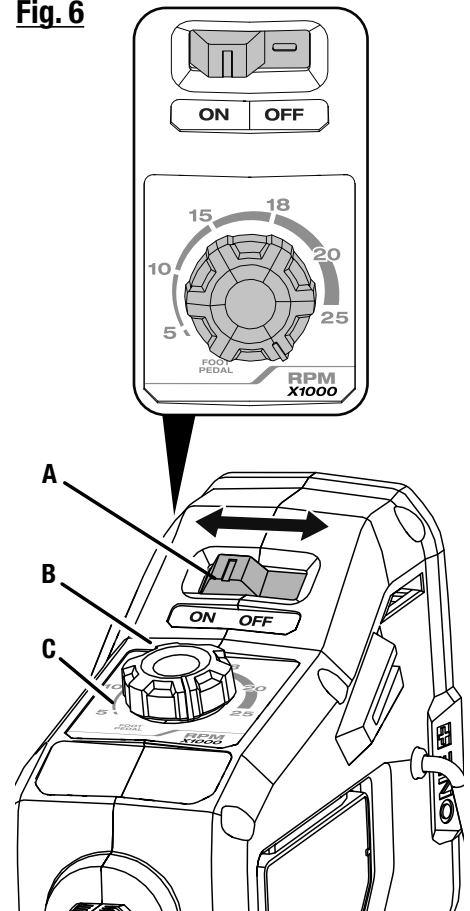
- A - Accessory (accessoire, accesorio)
- B - Quick-change collet (douille à changement rapide, portaherramientas de cambio rápido)
- C - Sleeve (manchon, casquillo)
- D - Hexed end (extrémité hexagonale, extremo hexagonal)

**Fig. 5**



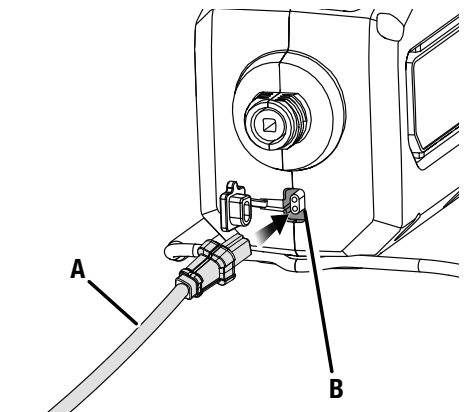
- A - Fiberglass cut-off wheel (disque à tronçonner en fibre de verre, disco de trocear de fibra de vidrio)
- B - Felt polishing pad (coussinet de polissage en feutre, almohadilla de pulido de fieltro)
- C - Sanding drums (tambours de ponçage, tambores de lijado)

**Fig. 6**



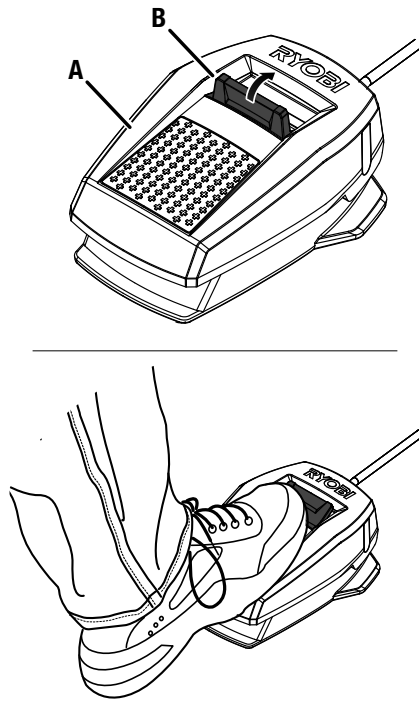
- A - On/off switch (interrupteur marche / arrêt, interruptor enc./apag.)
- B - Speed control dial (cadran de contrôle de vitesse, selector de control de velocidad)
- C - Scale (échelle, escala)

**Fig. 7**



- A - Foot pedal cord (cordon de pédale, cable de pedal de pie)
- B - Foot pedal port (port de pédale, puerto de pedal de pie)

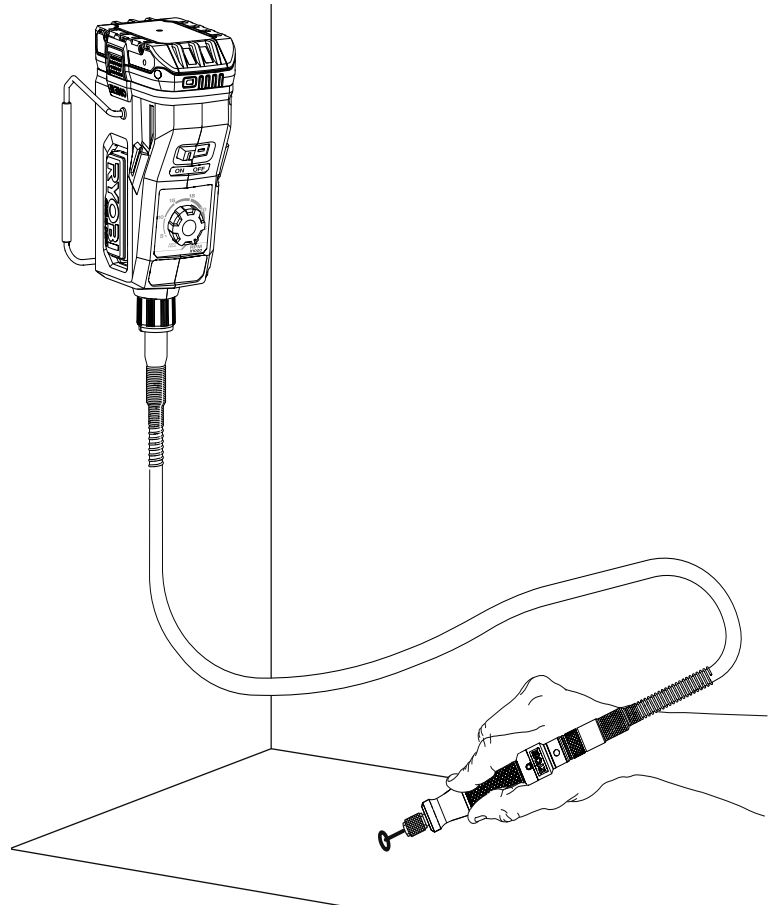
**Fig. 8**



A - Foot pedal (not included) [pédale (non comprise), pedal de pie (no incluido)]  
B - Lock-out (verrou, bloqueo)

---

**Fig. 9**



A - "Pencil grip" method (méthode « prise de type crayon », método de "agarre tipo lápiz")

---



**OPERATOR'S MANUAL/ROTARY TOOL**  
**MANUEL D'UTILISATION / OUTIL ROTATIF**  
**MANUAL DEL OPERADOR/HERRAMIENTA ROTATORIA**  
**PBLRT01**

To request service, purchase replacement parts,  
locate an Authorized Service Center or obtain Customer or Technical Support:  
Visit **www.ryobitools.com** or call **1-800-525-2579**

If any parts or accessories are damaged or missing, do not return this product to the store.  
Call **1-800-525-2579** for immediate service.

Please obtain your model and serial number from the product data plate.  
**This product is covered under a 3-year limited Warranty. Proof of purchase is required.**

MODEL NUMBER\* \_\_\_\_\_ SERIAL NUMBER \_\_\_\_\_

*\*Model number on product may have additional letters at the end. These letters designate manufacturing information and should be provided when calling for service.*

RYOBI is a trademark of Ryobi Limited and is used pursuant to a license granted by Ryobi Limited.

Pour faire une demande de réparations ou obtenir des pièces de rechange, trouver un  
Centre de réparations agréé pour obtenir un soutien technique ou le Service à la clientèle :  
Visiter **www.ryobitools.com** ou en téléphonant au **1-800-525-2579**

Si des pièces ou accessoires sont manquantes ou endommagées, ne pas retourner  
ce produit au magasin. Appeler immédiatement au **1-800-525-2579** pour obtenir de l'aide.

Inscrire les numéros de modèle et de série inscrits sur la plaque d'identification du produit.  
**Ce produit est couvert par une garantie limitée de trois (3) ans. Une preuve d'achat est exigée.**

NUMÉRO DE MODÈLE\* \_\_\_\_\_ NUMÉRO DE SÉRIE \_\_\_\_\_

*\*Le numéro de modèle sur le produit peut contenir des lettres supplémentaires à la fin. Ces lettres désignent les informations du fabricant et doivent être fournies lors d'un appel de demande de service.*

RYOBI est une marque de Ryobi Limited et est utilisée en vertu d'une licence accordée par Ryobi Limited.

Para obtener servicio, comprar piezas de repuesto, localizar un centro de servicio autorizado  
y obtener Servicio o Asistencia Técnica al Consumidor:

Visite **www.ryobitools.com** (en la EE.UU.) o **www.ryobitools.mx** (en México)  
o llame al **1-800-525-2579** (en la EE.UU.) o **800-843-1111** (en México).

Si hay alguna pieza o accesorios dañada o faltante, no devuelva este producto a la tienda.  
Llame al **1-800-525-2579** (en la EE.UU.) o **800-843-1111** (en México) para servicio técnico inmediato.

Obtenga su modelo y número de serie de la placa de datos del producto.  
**Este producto está cubierto con una garantía limitada de 3 años. Se solicita prueba de la compra.**

NÚMERO DE MODELO\* \_\_\_\_\_ NÚMERO DE SERIE \_\_\_\_\_

*\*El número de modelo que figura en el producto podría tener letras adicionales al final. Estas designan información de fabricación y deben suministrarse cuando llame para obtener asistencia o servicio.*

RYOBI es una marca de Ryobi Limited y se utiliza conforme a una licencia otorgada por Ryobi Limited.

**TTI CONSUMER POWER TOOLS, INC.**

P.O. Box 1288, Anderson, SC 29622 • Phone 1-800-525-2579  
États-Unis, Téléphone 1-800-525-2579 • USA, Teléfono 1-800-525-2579

**www.ryobitools.com**