

REPAIR SHEET

BRAND

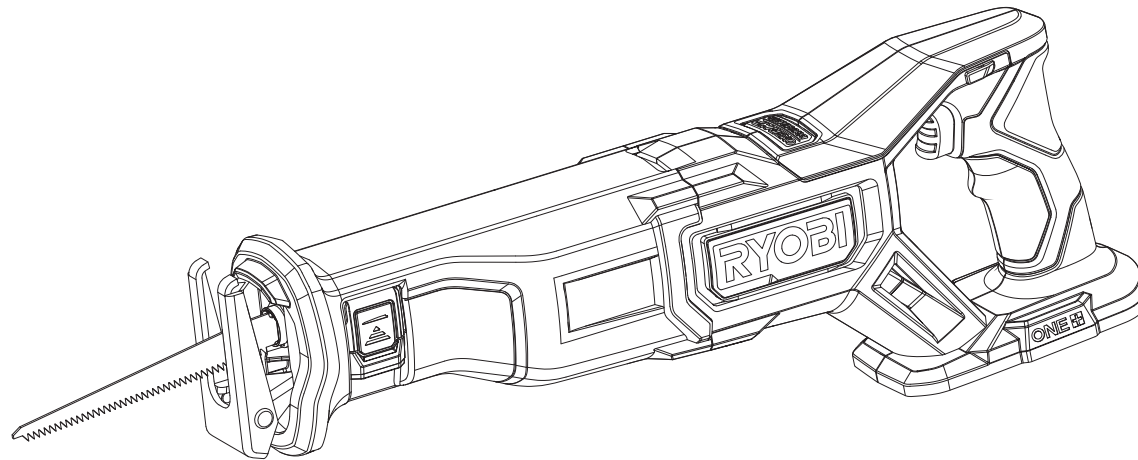
RYOBI

DESCRIPTION

MODEL NO.

PBLRS01

18 Volt Brushless Reciprocating Saw

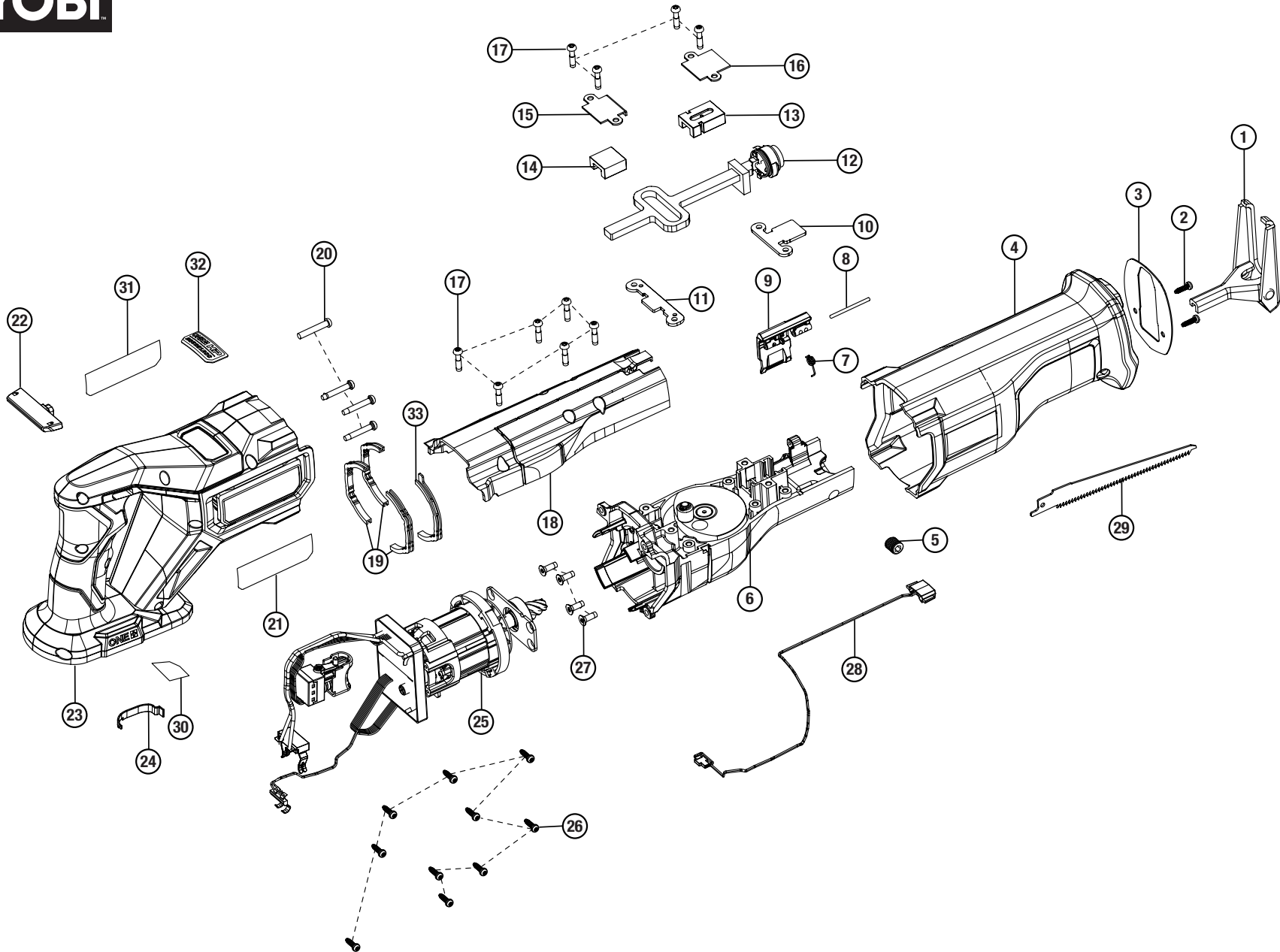


TTI CONSUMER POWER TOOLS, INC.

P.O. Box 1288, Anderson, SC 29622 ■ 1-800-525-2579 ■ www.ryobitools.com

03-16-25 (Rev:05)

The model number and manufacturing location will be found on a label attached to the product. Always mention this information in all communications regarding this product and when ordering parts.





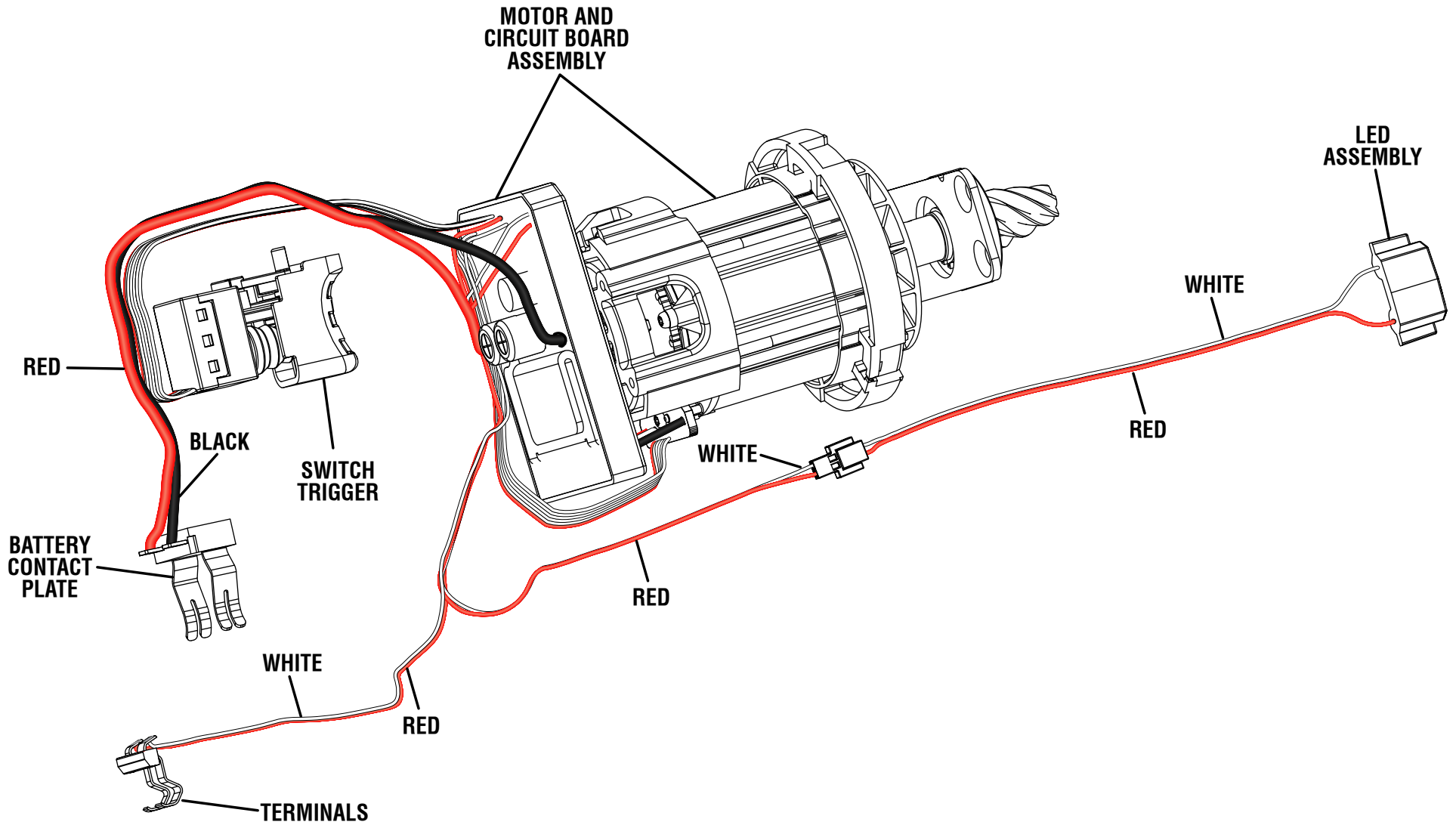
PBLRS01

PARTS LIST

KEY NO.	PART NO.	DESCRIPTION	QTY.
1	300216067	Shoe Assembly	1
2	660165015	Screw (M4 x 10 mm, T20 Torx Hd.)	2
3	659445001	Guide Plate	1
4	565776001	Rubber Boot	1
5	660170001	Screw (M10 x 10 mm, Hex. Soc. Hd.)	1
6	204110009	Gear Box Assembly	1
7	690502006	Spring Torque	1
8	674185001	Pin	1
9	316597001	Release Lever Assembly	1
10	635222001	Front Plate (2.3 mm thick)	1
11	659443001	Rear Coving Plate	1
12	304003009	Output Shaft Assembly with Long Clamp Body	1
13	610730001	Guide Block Front	1
14	690356001	Guiding Block	1
15	690349001	Cover Plate 2	1
16	659444001	Front Plate	1
17	661171001	Screw (M4 x 17 mm, T20 Torx Hd.)	10
18	541696001	Gear Case Cover	1
19	564528001	Rubber Cushion	3
20	660436006	Screw (M4 x 25.4 mm, T20 Torx Pan Hd.)	4

KEY NO.	PART NO.	DESCRIPTION	QTY.
21-CN	941123227	Data Label	1
21-VN	941124192	Data Label	1
22	370695001	Switch Lock	1
23	204110013	Housing Assembly (Inc. Key Nos. 21 & 30-32)	1
24	541994001	Terminal Cover	1
25	*	Motor and Circuit Board Assembly	1
26	662565001	Screw (M3.5 x 14 mm, T10 Torx Pan Hd.)	10
27	661185001	Screw (#8-32UNC-2A x 1/2 in., T15 Torx Hd.)	4
28-CN	291355005	LED Assembly with New LED Cover	1
28-VN	291355009		
29	682507002	Wood Cutting Blade (6 in. x 6 TPI)	1
30	941120665	Warning Label	1
31-CN	565744001	RYOBI Logo Badge	1
31-VN	565774001	RYOBI Logo Badge	1
32	565775001	Brushless Logo Badge	1
33	564528003	Rubber Cushion	1
	Not Shown:		
	998000285	Operator's Manual (961153445)	

* Motor and Circuit Board Assembly is not offered as a replacement part. CN = China VN = Vietnam



WIRING DIAGRAM