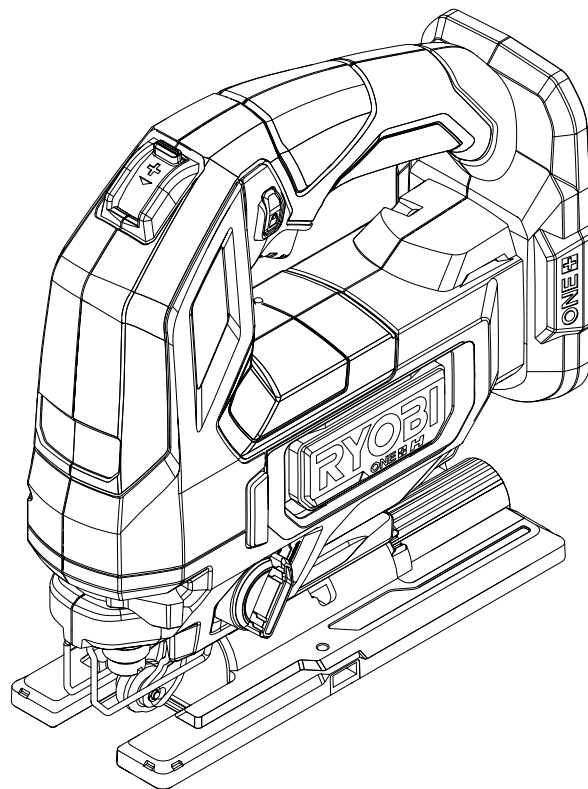


REPAIR SHEET

BRAND
RYOBI

DESCRIPTION
18 Volt Brushless Jig Saw

MODEL NO.
PBLJS01

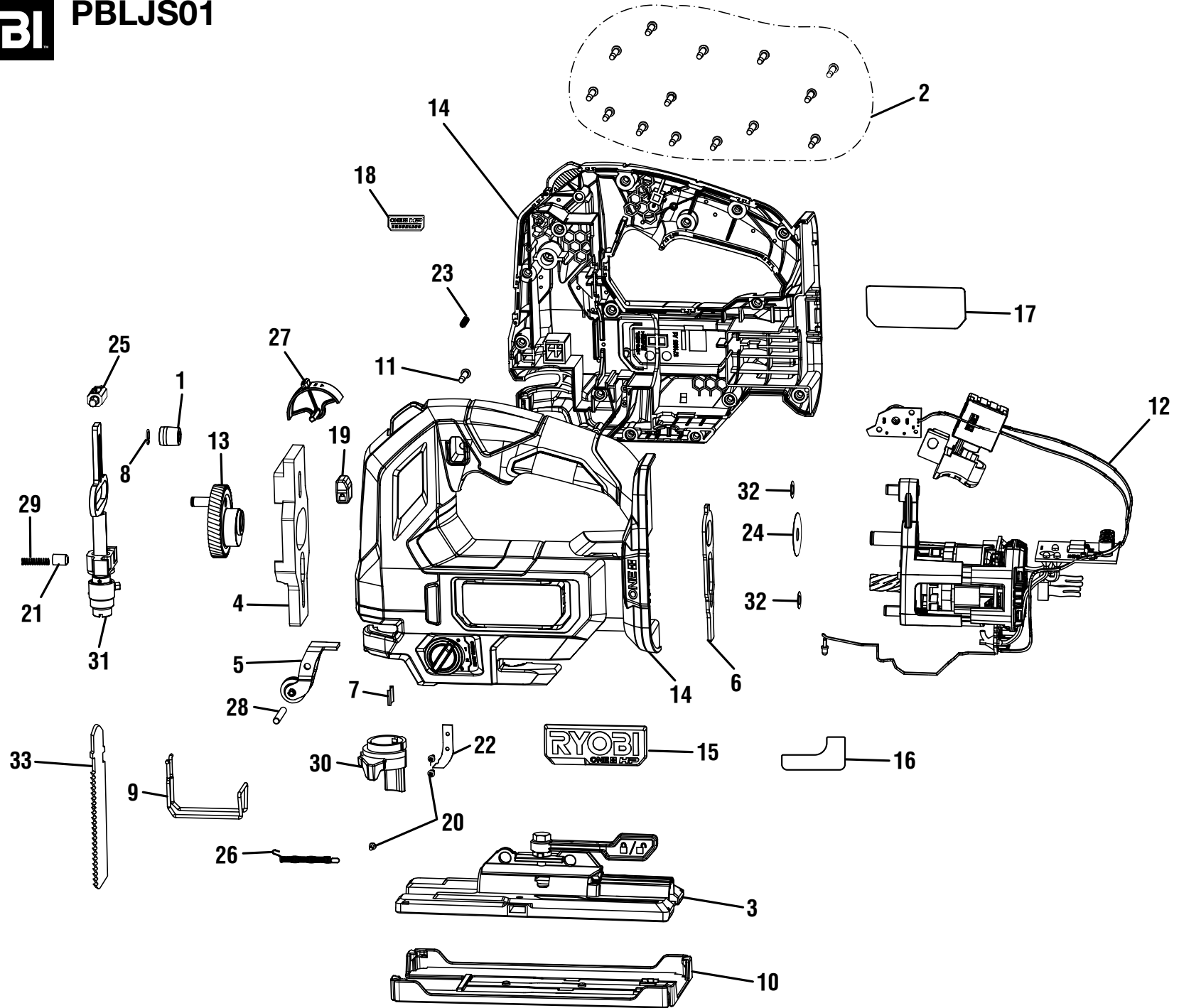


TTI CONSUMER POWER TOOLS, INC.

P.O. Box 1288, Anderson, SC 29622 ■ 1-800-525-2579 ■ www.ryobitools.com

8-2-22 (Rev:03)

The model number and manufacturing location will be found on a label attached to the product. Always mention this information in all communications regarding this product and when ordering parts.





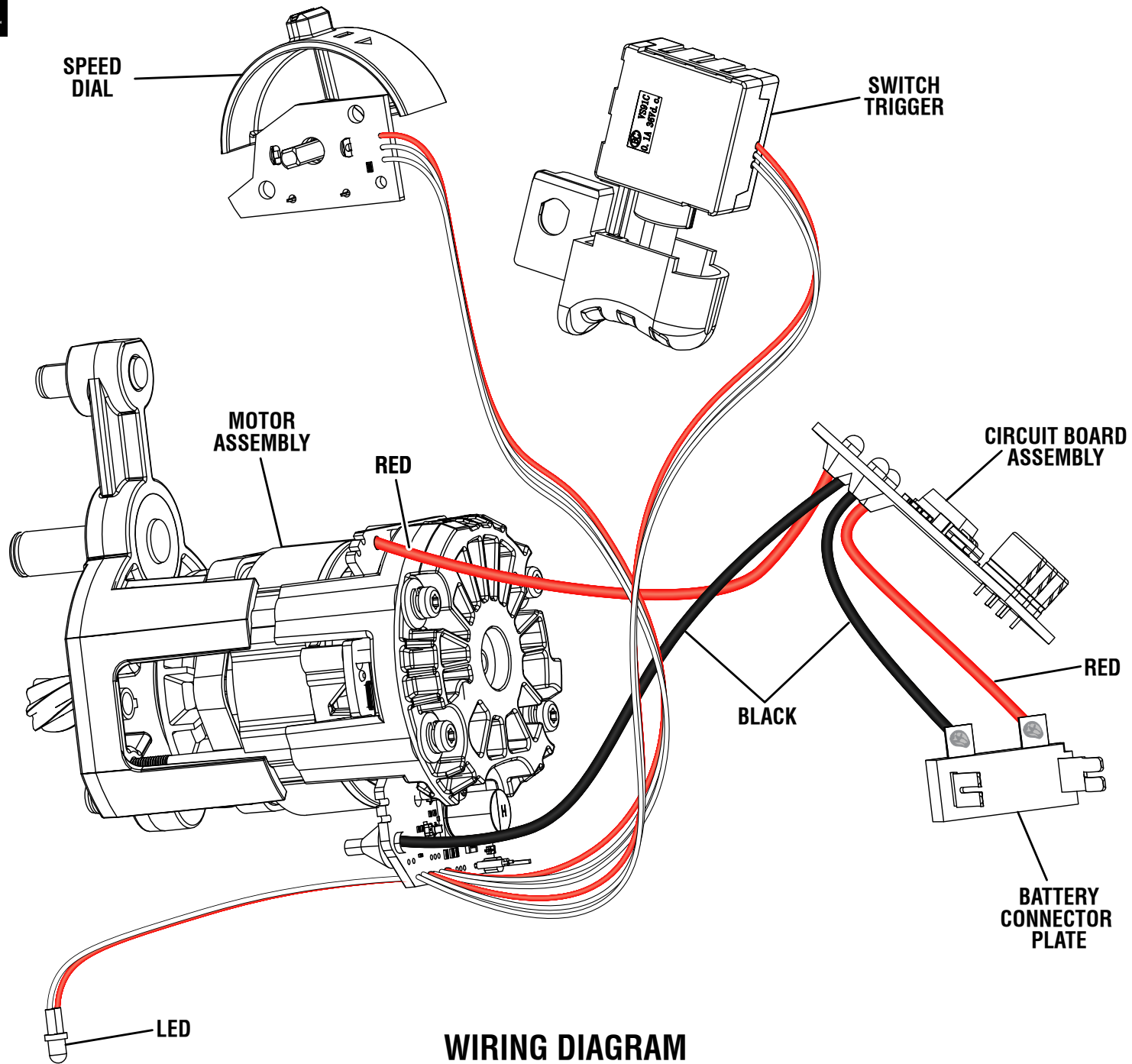
PBLJS01

PARTS LIST

| KEY NO. | PART NO. | DESCRIPTION | QTY. |
|---------|-----------|--|------|
| 1 | 697123001 | Gear Bushing | 1 |
| 2 | 660031017 | Screw (M3.5 x 16 mm, Torx Pan Hd.) | 14 |
| 3-CN | 206795001 | Base Assembly | 1 |
| 3-VN | 206795003 | Base Assembly | 1 |
| 4 | 613663001 | Counter Balance | 1 |
| 5 | 312418002 | Roller Assembly | 1 |
| 6 | 637637001 | Drive Plate | 1 |
| 7 | 633420001 | Housing Clip | 1 |
| 8 | 670704001 | Retaining Ring | 1 |
| 9 | 635565002 | Guard Wire | 1 |
| 10 | 536214001 | Base Cover | 1 |
| 11 | 661902001 | Screw w/Washer (M2 x 14 mm, Torx Hd.) | 1 |
| 12-CN | 206791002 | Motor and Circuit Board Assembly | 1 |
| 12-VN | 206791004 | Motor and Circuit Board Assembly | 1 |
| 13-CN | 206792001 | Helical Gear (46T) Assembly | 1 |
| 13-VN | 206792003 | Helical Gear (46T) Assembly | 1 |
| 14-CN | 204454014 | Housing Assembly (Inc. Key Nos. 15-18) | 1 |
| 14-CN | 204454028 | Housing Assembly (Inc. Key Nos. 15-18) | 1 |
| 15 | 565884001 | RYOBI Logo Badge | 1 |
| 16-CN | 941123197 | Battery Statement Label | 1 |
| 16-VN | 941119050 | Battery Statement Label | 1 |
| 17-CN | 941123198 | Data Label | 1 |
| 17-VN | 941124279 | Data Label | 1 |
| 18 | 565722001 | Brushless Logo Badge | 1 |
| 19 | 541997001 | Lock-on Button | 1 |
| 20 | 660226004 | Screw (M2 x 6 mm, Pan Hd.) | 3 |
| 21 | 613286001 | Saw Bar Sleeve | 1 |
| 22 | 535418001 | PVC Sheet | 1 |
| 23 | 696074002 | Lever Spring | 1 |

| KEY NO. | PART NO. | DESCRIPTION | QTY. |
|---------|-------------------|-------------------------------|------|
| 24 | 631669001 | Washer (OD28) | 1 |
| 25 | 613632001 | Upper Bushing | 1 |
| 26 | 696767003 | Spring | 1 |
| 27 | 526393002 | Speed Dial | 1 |
| 28 | 673814001 | Pin | 1 |
| 29 | 697080001 | Sleeve Spring | 1 |
| 30 | 541998001 | Blade Release Lever | 1 |
| 31 | 312176005 | Saw Bar Steel and Tube | 1 |
| 32 | 670914001 | Flat Washer | 2 |
| 33 | 682510001 | Blade | 1 |
| | Not Shown: | | |
| | 998000302 | Operator's Manual (961153436) | |

If a key number has multiple part numbers, please order the part that corresponds with the date code shown on the product's data label. CN = China VN = Vietnam



WIRING DIAGRAM