

REPAIR SHEET

BRAND

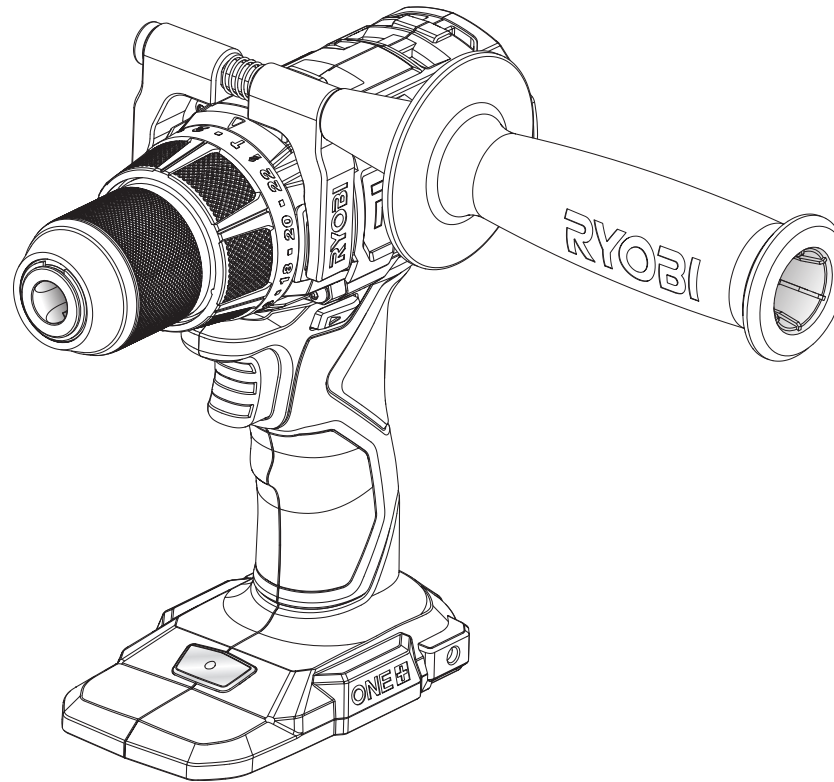
RYOBI

DESCRIPTION

ONE+ HP 1/2 in. Hammer Drill

MODEL NO.

PBLHM102

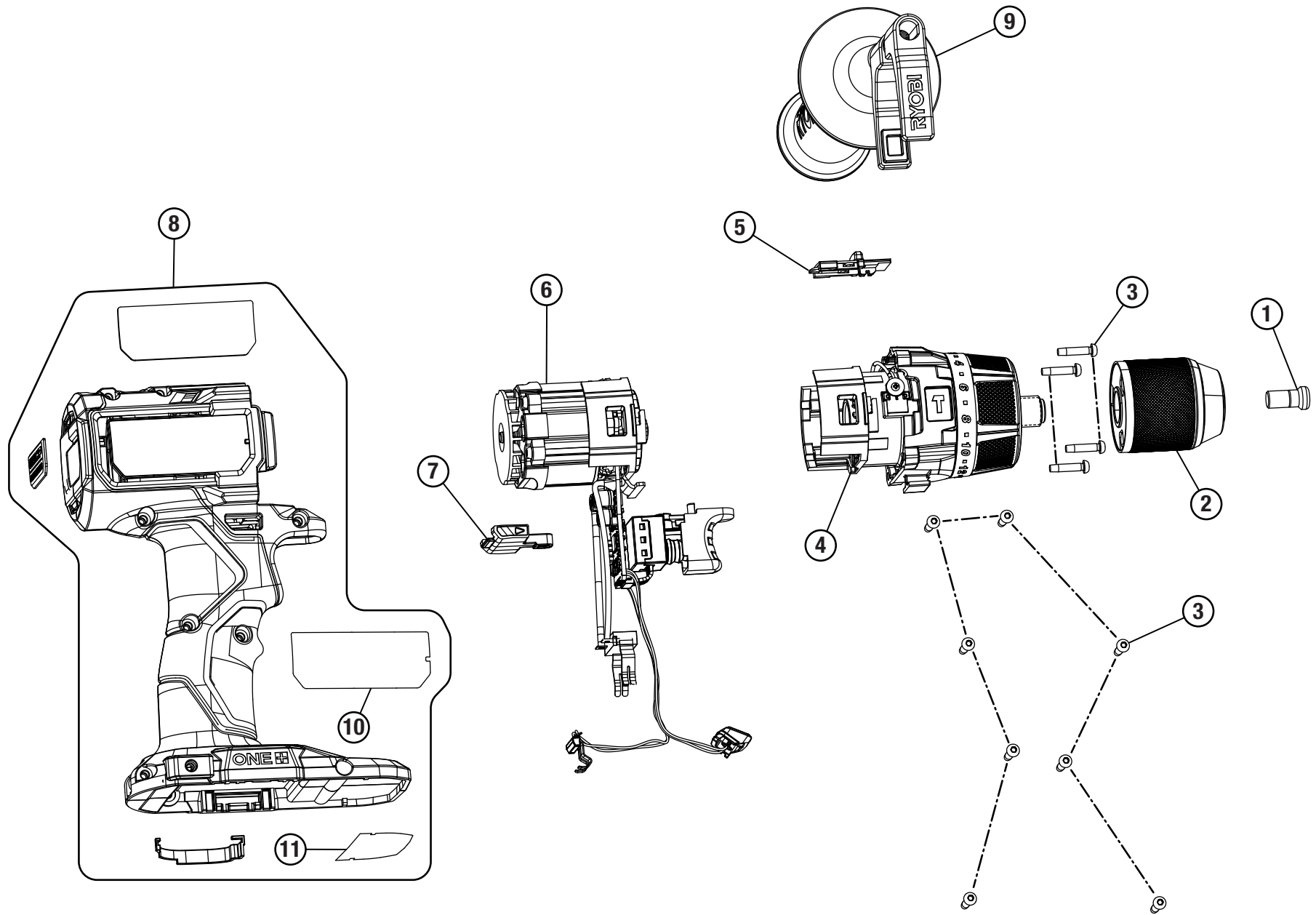


TTI CONSUMER POWER TOOLS, INC.

P.O. Box 1288, Anderson, SC 29622 ■ 1-800-525-2579 ■ www.ryobitools.com

9-20-24 (Rev:01)

The model number and manufacturing location will be found on a label attached to the product. Always mention this information in all communications regarding this product and when ordering parts.



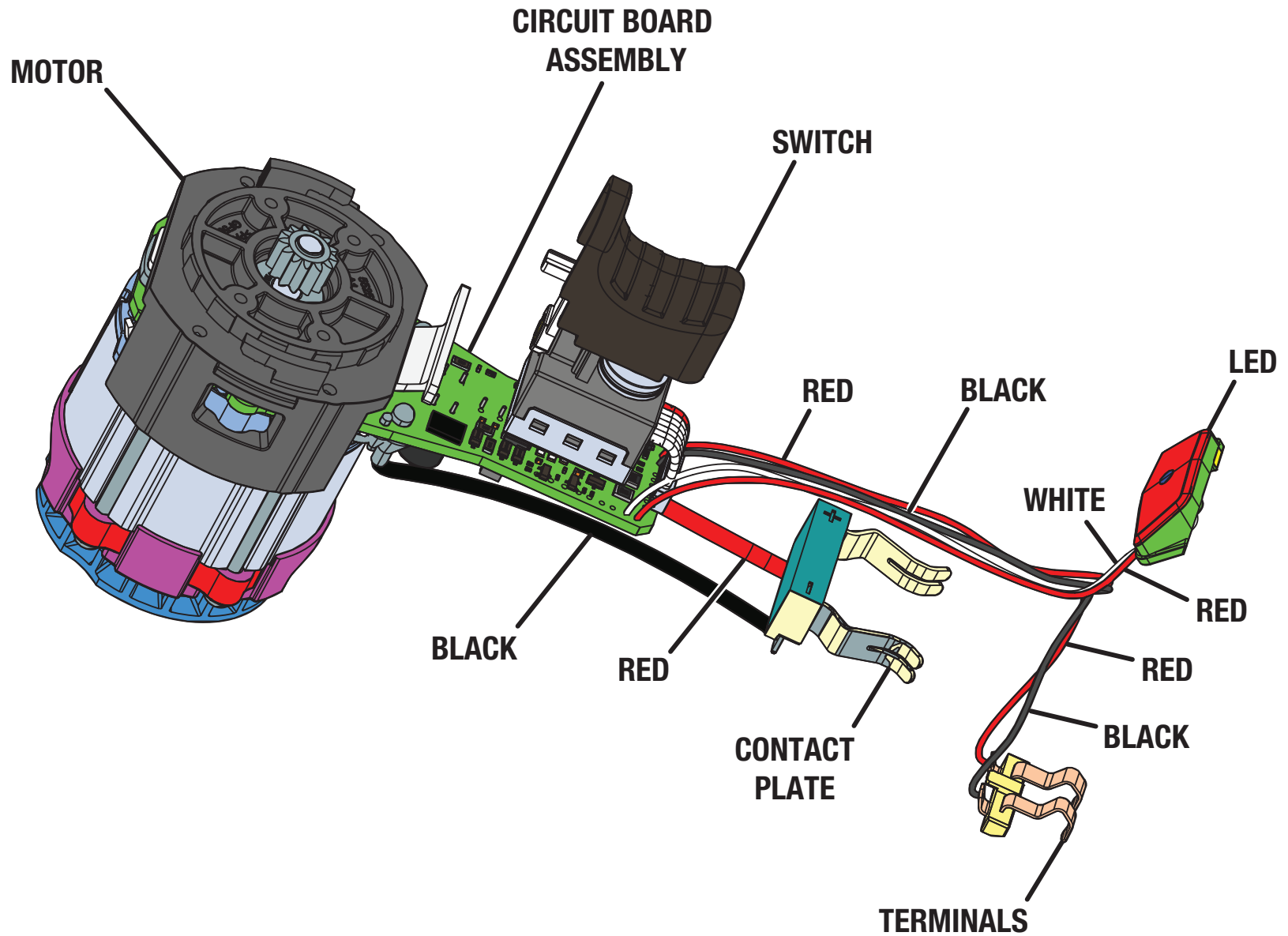


PBLHM102

PARTS LIST

KEY NO.	PART NO.	DESCRIPTION	QTY.
1	662288007	Screw (M8 X 16 mm, OH Torx T40)	1
2	206374003	Chuck Assembly	1
3	662491001	Screw (M3.5 X 16 mm, PH Torx T10)	12
4	206374004	Gear Box Assembly	1
5	204374011	High/Low Button	1
6	206374005	Motor and Circuit Board Assembly	1
7	541650001	Forward/Reverse Button	1

KEY NO.	PART NO.	DESCRIPTION	QTY.
8	204374010	Housing Assembly (Inc. Key Nos. 10 & 11)	1
9	204374012	Auxiliary Handle Assembly	1
10	941119252	Warning Label	1
11	941124577	Data Label	1
	Not Shown:		
	999000405	Operator's Manual	



WIRING DIAGRAM