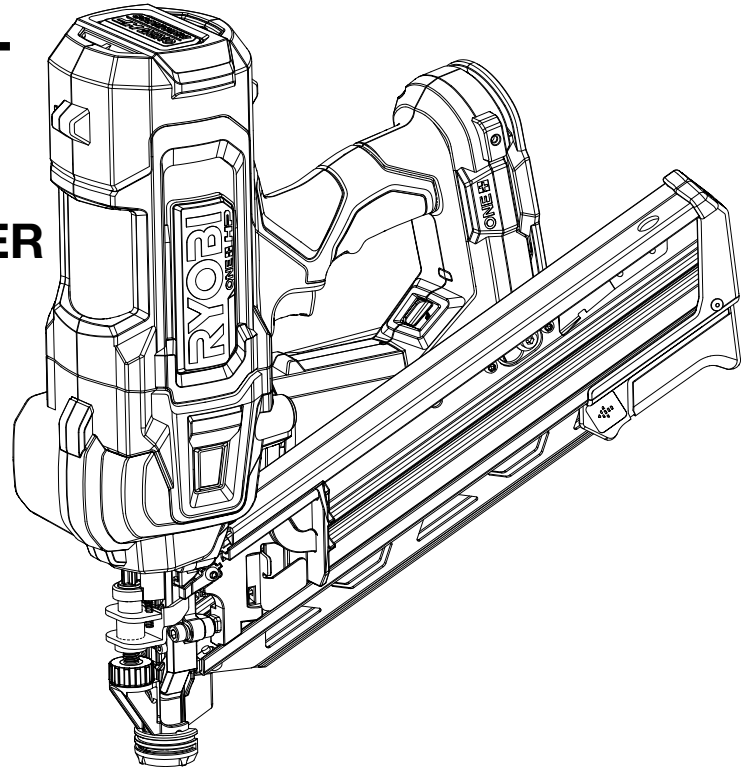




# OPERATOR'S MANUAL MANUEL D'UTILISATION MANUAL DEL OPERADOR

## ONE+ 18V 30° FRAMING NAILER CLOUEUSE À MOULURES À 30 DEGRÉS DE 18 V DE ONE+ CLAVADORA DE MARCOS DE 30 GRADOS DE ONE+ 18 V PBL350



### TABLE OF CONTENTS

General Power Tool	
Safety Warnings.....	2-3
Nailer Safety Warnings.....	3-5
Symbols.....	6
Glossary.....	7
Features.....	7
Assembly.....	7
Operation.....	8-10
Maintenance.....	11
Troubleshooting.....	12
Illustrations.....	13-15
Parts Ordering and Service .....	Back page

### TABLE DES MATIÈRES

Avertissements de sécurité générales relatives aux outils électriques.....	2-3
Avertissements de sécurité relatifs cloueuse à parquet .....	4-5
Symboles.....	6
Glossaire.....	7
Caractéristiques .....	7
Assemblage.....	7
Utilisation .....	8-10
Entretien .....	11
Dépannage .....	12
Illustrations .....	13-15
Commande de pièces et dépannage .....	Page arrière

### ÍNDICE DE CONTENIDO

Advertencias de seguridad para herramientas eléctrica .....	2-3
Advertencias de clavadora de puntillas .....	4-5
Símbolos .....	6
Glosario de términos .....	7
Características .....	7
Armado.....	7
Funcionamiento.....	8-11
Mantenimiento.....	11-12
Corrección de problemas.....	12
Ilustraciones .....	13-15
Pedidos de piezas y servicio.....	Pág. posterior

#### **WARNING:**

To reduce the risk of injury, the user must read and understand the operator's manual before using this product.

#### **AVERTISSEMENT :**

Pour réduire les risques de blessures, l'utilisateur doit lire et veiller à bien comprendre le manuel d'utilisation avant d'utiliser ce produit.

#### **ADVERTENCIA:**

Para reducir el riesgo de lesiones, el usuario debe leer y comprender el manual del operador antes de usar este producto.

**SAVE THIS MANUAL FOR  
FUTURE REFERENCE**

**CONSERVER CE MANUEL  
POUR FUTURE RÉFÉRENCE**

**GUARDE ESTE MANUAL  
PARA FUTURAS CONSULTAS**

# GENERAL POWER TOOL SAFETY WARNINGS



## WARNING

**Read all safety warnings, instructions, illustrations and specifications provided with this power tool.** Failure to follow all instructions listed below may result in electric shock, fire and/or serious injury.

**Save all warnings and instructions for future reference.** The term “power tool” in the warnings refers to your mains-operated (corded) power tool or battery-operated (cordless) power tool.

## WORK AREA SAFETY

- **Keep work area clean and well lit.** Cluttered or dark areas invite accidents.
- **Do not operate power tools in explosive atmospheres, such as in the presence of flammable liquids, gases or dust.** Power tools create sparks which may ignite the dust or fumes.
- **Keep children and bystanders away while operating a power tool.** Distractions can cause you to lose control.

## ELECTRICAL SAFETY

- **Power tool plugs must match the outlet. Never modify the plug in any way. Do not use any adapter plugs with earthed (grounded) power tools.** Unmodified plugs and matching outlets will reduce risk of electric shock.
- **Avoid body contact with earthed or grounded surfaces such as pipes, radiators, ranges and refrigerators.** There is an increased risk of electric shock if your body is earthed or grounded.
- **Do not expose power tools to rain or wet conditions.** Water entering a power tool will increase the risk of electric shock.
- **Do not abuse the cord. Never use the cord for carrying, pulling or unplugging the power tool. Keep cord away from heat, oil, sharp edges or moving parts.** Damaged or entangled cords increase the risk of electric shock.
- **When operating a power tool outdoors, use an extension cord suitable for outdoor use.** Use of a cord suitable for outdoor use reduces the risk of electric shock.
- **If operating a power tool in a damp location is unavoidable, use a ground fault circuit interrupter (GFCI) protected supply.** Use of a GFCI reduces the risk of electric shock.
- **Use this product only with batteries and chargers listed in tool/appliance/battery pack/charger correlation supplement 987000-432.**

## PERSONAL SAFETY

- **Stay alert, watch what you are doing and use common sense when operating a power tool. Do not use a power tool while you are tired or under the influence**

**of drugs, alcohol or medication.** A moment of inattention while operating power tools may result in serious personal injury.

- **Use personal protective equipment. Always wear eye protection.** Protective equipment such as a dust mask, non-skid safety shoes, hard hat, or hearing protection used for appropriate conditions will reduce personal injuries.
- **Prevent unintentional starting. Ensure the switch is in the off-position before connecting to power source and/or battery pack, picking up or carrying the tool.** Carrying power tools with your finger on the switch or energising power tools that have the switch on invites accidents.
- **Remove any adjusting key or wrench before turning the power tool on.** A wrench or a key left attached to a rotating part of the power tool may result in personal injury.
- **Do not overreach. Keep proper footing and balance at all times.** This enables better control of the power tool in unexpected situations.
- **Dress properly. Do not wear loose clothing or jewelry. Keep your hair and clothing away from moving parts.** Loose clothes, jewelry or long hair can be caught in moving parts.
- **If devices are provided for the connection of dust extraction and collection facilities, ensure these are connected and properly used.** Use of dust collection can reduce dust-related hazards.
- **Do not let familiarity gained from frequent use of tools allow you to become complacent and ignore tool safety principles.** A careless action can cause severe injury within a fraction of a second.
- **Do not wear loose clothing or jewelry. Contain long hair.** Loose clothes, jewelry, or long hair can be drawn into air vents.
- **Do not use on a ladder or unstable support.** Stable footing on a solid surface enables better control of the power tool in unexpected situations.

## POWER TOOL USE AND CARE

- **Do not force the power tool. Use the correct power tool for your application.** The correct power tool will do the job better and safer at the rate for which it was designed.
- **Do not use the power tool if the switch does not turn it on and off.** Any power tool that cannot be controlled with the switch is dangerous and must be repaired.
- **Disconnect the plug from the power source and/or remove the battery pack, if detachable, from the power tool before making any adjustments, changing accessories, or storing power tools.** Such preventive safety measures reduce the risk of starting the power tool accidentally.

# GENERAL POWER TOOL SAFETY WARNINGS

- **Store idle power tools out of the reach of children and do not allow persons unfamiliar with the power tool or these instructions to operate the power tool.** Power tools are dangerous in the hands of untrained users.
- **Maintain power tools and accessories. Check for misalignment or binding of moving parts, breakage of parts and any other condition that may affect the power tool's operation. If damaged, have the power tool repaired before use.** Many accidents are caused by poorly maintained power tools.
- **Keep cutting tools sharp and clean.** Properly maintained cutting tools with sharp cutting edges are less likely to bind and are easier to control.
- **Use the power tool, accessories and tool bits etc. in accordance with these instructions, taking into account the working conditions and the work to be performed.** Use of the power tool for operations different from those intended could result in a hazardous situation.
- **Keep handles and grasping surfaces dry, clean and free from oil and grease.** Slippery handles and grasping surfaces do not allow for safe handling and control of the tool in unexpected situations.
- **When battery pack is not in use, keep it away from other metal objects, like paper clips, coins, keys, nails, screws or other small metal objects, that can make a connection from one terminal to another.** Shorting the battery terminals together may cause burns or a fire.
- **Under abusive conditions, liquid may be ejected from the battery; avoid contact. If contact accidentally occurs, flush with water. If liquid contacts eyes, additionally seek medical help.** Liquid ejected from the battery may cause irritation or burns.
- **Do not use a battery pack or tool that is damaged or modified.** Damaged or modified batteries may exhibit unpredictable behavior resulting in fire, explosion or risk of injury.
- **Do not expose a battery pack or tool to fire or excessive temperature.** Exposure to fire or temperature above 265° F may cause explosion.
- **Follow all charging instructions and do not charge the battery pack or tool outside the temperature range specified in the instructions.** Charging improperly or at temperatures outside the specified range may damage the battery and increase the risk of fire.

## BATTERY TOOL USE AND CARE

- **Recharge only with the charger specified by the manufacturer.** A charger that is suitable for one type of battery pack may create a risk of fire when used with another battery pack.
- **Use power tools only with specifically designated battery packs.** Use of any other battery packs may create a risk of injury and fire.

## SERVICE

- **Have your power tool serviced by a qualified repair person using only identical replacement parts.** This will ensure that the safety of the power tool is maintained.
- **Never service damaged battery packs.** Service of battery packs should only be performed by the manufacturer or authorized service providers.
- **When servicing a power tool, use only identical replacement parts. Follow instructions in the Maintenance section of this manual.** Use of unauthorized parts or failure to follow Maintenance instructions may create a risk of shock or injury.

# NAILER SAFETY WARNINGS

- **Always assume that the tool contains nails.** Careless handling of the nailer can result in unexpected firing of nails and personal injury.
- **Do not point the tool towards yourself or anyone nearby.** Unexpected triggering will discharge the nail causing an injury.
- **Do not actuate the tool unless the tool is placed firmly against the workpiece.** If the tool is not in contact with the workpiece, the nail may be deflected away from your target.
- **Disconnect the tool from the power source when the fastener jams in the tool.** While removing a jammed fastener, the nailer may be accidentally activated if it is plugged in.
- **Use caution while removing a jammed nail.** The mechanism may be under compression and the nail may be forcefully discharged while attempting to free a jammed condition.
- **Do not use this nailer for fastening electrical cables.** It is not designed for electric cable installation and may damage the insulation of electric cables thereby causing electric shock or fire hazards.
- **Hold power tool by insulated gripping surfaces, when performing an operation where the nail may contact hidden wiring.** Nails contacting a "live" wire may make exposed metal parts of the power tool "live" and could give the operator an electric shock.

# NAILER SAFETY WARNINGS

- **Know your power tool. Read operator's manual carefully. Learn its applications and limitations, as well as the specific potential hazards related to this power tool.** Following this rule will reduce the risk of electric shock, fire, or serious injury.
  - **Always wear eye protection with side shields marked to comply with ANSI Z87.1.** Everyday glasses have only impact resistant lenses. They are not safety glasses. Following this rule will reduce the risk of serious personal injury.
  - **Eye protection which conforms to ANSI specifications and provides protection against flying particles both from the FRONT and SIDE should ALWAYS be worn by the operator and others in the work area when loading, operating or servicing this tool.** Eye protection is required to guard against flying fasteners and debris, which could cause severe eye injury.
  - **The employer and/or user must ensure that proper eye protection is worn.** We recommend Wide Vision Safety Mask for use over eyeglasses or standard safety glasses that provide protection against flying particles both from the front and side. Always use eye protection which is marked to comply with ANSI Z87.1.
  - **Additional safety protection will be required in some environments.** For example, the working area may include exposure to noise level which can lead to hearing damage. The employer and user must ensure that any necessary hearing protection is provided and used by the operator and others in the work area. Some environments will require the use of head protection equipment. When required, the employer and user must ensure that head protection conforming to ANSI Z89.1-1997 is used.
  - **Keep fingers away from trigger when not driving fasteners to avoid accidental firing.**
  - **Use safety equipment. Always wear eye protection.** Dust mask, nonskid safety shoes, hard hat, or hearing protection must be used for appropriate conditions.
  - **Protect your lungs. Wear a face or dust mask if the operation is dusty.** Following this rule will reduce the risk of serious personal injury.
  - **Protect your hearing. Wear hearing protection during extended periods of operation.** Following this rule will reduce the risk of serious personal injury.
  - **Battery tools do not have to be plugged into an electrical outlet; therefore, they are always in operating condition. Be aware of possible hazards when not using your battery tool or when changing accessories.** Following this rule will reduce the risk of electric shock, fire, or serious personal injury.
  - **Do not place battery tools or their batteries near fire or heat.** This will reduce the risk of explosion and possibly injury.
  - **Use the tool only for its intended use.** Do not discharge fasteners into open air.
  - **Use the tool only for the purpose for which it was designed.**
  - **Use only the nails recommended for this tool.** Use of the wrong nails could result in poor nail feeding, jammed nails, and nails leaving the tool at erratic angles. If nails are not feeding smoothly and properly, discontinue their use immediately. Jammed and improperly feeding nails could result in serious personal injury.
  - **Never use this tool in a manner that could cause a nail to be directed toward anything other than the workpiece.**
  - **Do not use the tool as a hammer.**
  - **Always carry the tool by the handle.**
  - **Do not alter or modify this tool from the original design or function without approval from the manufacturer.**
  - **Always be aware that misuse and improper handling of this tool can cause injury to yourself and others.**
  - **Never clamp or tape the trigger or workpiece contact in an actuated position.**
  - **Never leave tool unattended if the battery is installed.**
  - **Do not operate this tool if it does not contain a legible warning label.**
  - **Keep the tool and its handle dry, clean and free from oil and grease.** Always use a clean cloth when cleaning. Never use brake fluids, gasoline, petroleum-based products, or any strong solvents to clean your tool. Following this rule will reduce the risk of loss of control and deterioration of the enclosure plastic.
- ## OPERATION
- **Do not use tool if trigger does not actuate properly.** Any tool that cannot be controlled with the trigger is dangerous and must be repaired.
  - **Check operation of the workpiece contact mechanism frequently.** Do not use the tool if the workpiece contact mechanism is not working correctly as accidental driving of a nail may result. Do not interfere with the proper operation of the workpiece contact mechanism.
  - **Do not use a tool that does not work correctly.**
  - **Always assume that the tool contains nails.**
  - **Do not carry the tool from place to place holding the trigger.** Accidental discharge could result.
  - **Always handle the tool with care:**
    - Respect the tool as a working implement.
    - Never engage in horseplay.
    - Never pull the trigger unless nose is directed toward the work.

# NAILER SAFETY WARNINGS

- Keep others a safe distance from the tool while tool is in operation as accidental actuation may occur, possibly causing injury.
- **Choice of triggering method is important. Check manual for triggering options.**
- **The tool is designed for single-hand use.** Do not hold the tool by the front of the magazine. Do not put hands, head, or other parts of your body near the bottom of the magazine where the nail exits the tool, as serious personal injury could result.
- **Do not point the tool toward yourself or anyone whether it contains nails or not.**
- **Do not actuate the tool unless you intend to drive a nail into the workpiece.**
- **Always ensure that the workpiece contact is fully positioned above the workpiece.** Positioning the workpiece contact only partially above the workpiece could cause the nail to miss the workpiece completely and result in serious personal injury.
- **Do not drive nails near edge of material.** The workpiece may split causing the nail to ricochet, injuring you or a co-worker. Be aware that the nail may follow the grain of the wood, causing it to protrude unexpectedly from the side of the work material or deflect, possibly causing injury.
- **Keep hands and body parts clear of immediate work area.** Hold workpiece with clamps when necessary to keep hands and body out of potential harm. Be sure the workpiece is properly secured before pressing the fastener against the material. The workpiece contact may cause the work material to shift unexpectedly.
- **Keep face and body parts away from back of the tool cap when working in restricted areas.** Sudden recoil can result in impact to the body, especially when nailing into hard or dense material.
- **During normal use the tool will recoil immediately after driving a fastener. This is a normal function of the tool.** Do not attempt to prevent the recoil by holding the nailer against the work. Restriction to the recoil can result in a second fastener being driven from the nailer. Grip the handle firmly, let the tool do the work and do not place second hand on top of tool or near exhaust at any time. Failure to heed this warning can result in serious personal injury.
- **Do not drive fasteners on top of other fasteners or with the tool at an overly steep angle as this may cause deflection of fasteners which could cause injury.**

## LOADING TOOL




- **Do not load the tool with fasteners when any one of the operating controls is activated.**
- **When loading tool:**
- **Never place a hand or any part of body in fastener discharge area of tool.**
- **Never point tool at anyone.**
- **Do not pull the trigger or depress the workpiece contact as accidental actuation may occur, possibly causing injury.**

## SAVE THESE INSTRUCTIONS







- Refer to them frequently and use them to instruct others who may use this tool. If you loan someone this tool, loan them these instructions also.

# SYMBOLS

The following signal words and meanings are intended to explain the levels of risk associated with this product.

SYMBOL	SIGNAL	MEANING
	<b>DANGER:</b>	Indicates an hazardous situation, which, if not avoided, will result in death or serious injury.
	<b>WARNING:</b>	Indicates a hazardous situation, which, if not avoided, could result in death or serious injury.
	<b>CAUTION:</b>	Indicates a hazardous situation, that, if not avoided, may result in minor or moderate injury.
	<b>NOTICE:</b>	(Without Safety Alert Symbol) Indicates information considered important, but not related to a potential injury (e.g. messages relating to property damage).

Some of the following symbols may be used on this product. Please study them and learn their meaning. Proper interpretation of these symbols will allow you to operate the product better and safer.

SYMBOL	NAME	
	Safety Alert	Indicates a potential personal injury hazard.
	Read Operator's Manual	To reduce the risk of injury, user must read and understand operator's manual before using this product.
	Eye Protection	Always wear eye protection with side shields marked to comply with ANSI Z87.1.
	Keep Hands Away	Keep hands and body away from the discharge area of the tool.
	Wet Conditions Alert	Do not expose to rain or use in damp locations.
	Recycle Symbol	This product uses lithium-ion (Li-ion) batteries. Local, state or federal laws may prohibit disposal of batteries in ordinary trash. Consult your local waste authority for information regarding available recycling and/or disposal options.
V	Volts	Voltage
A	Amperes	Current
Hz	Hertz	Frequency (cycles per second)
min	Minutes	Time
—	Direct Current	Type or a characteristic of current
$n_0$	No Load Speed	Rotational speed, at no load
.../min	Per Minute	Revolutions, strokes, surface speed, orbits etc., per minute

# GLOSSARY

## Activate (operating controls)

To move an operating control so that it is in a position that allows the tool to be actuated or that satisfies one requirement for the tool to be actuated.

## Actuate (tool)

To cause movement of the tool component(s) intended to drive a fastener.

## Actuation system

The use of a trigger, workpiece contact, and/or other operating control, separately or in some combination or sequence, to actuate the tool.

- **Single sequential actuation**

An actuation system in which there is more than one operating control and the operating controls must be activated in a specific sequence to actuate the tool. Additional actuation can occur when a specific operating control, other than a workpiece contact, is released and re-activated.

- **Contact actuation**

An actuation system in which there is more than one operating control and the operating controls can be activated in any sequence to actuate the tool. Additional actuation can occur when any operating control is released and re-activated.

## Fastener

A staple, pin, brad, nail, or other fastening device which is designed and manufactured for use in the tools within the scope of this standard.

## Jam

An obstruction in the feed or drive areas of the tool.

## Operating control

A control that separately, or as part of an actuation system, can cause the actuation of a tool.

## Trigger

A tool operating control activated by a tool operator's fingers.

## Workpiece

The intended object into which a fastener is to be driven by a tool.

## Workpiece contact

An operating control element or assembly on the tool intended to be activated by the material to be fastened.

# FEATURES

## PRODUCT SPECIFICATIONS

Motor.....18 Volt DC  
Magazine Capacity.....60 nails

Minimum Nail Shank Diameter..... 0.113 in.  
Maximum Nail Shank Diameter.....0.131 in.  
Fastener Range.....2 in. – 3-1/2 in.

# ASSEMBLY

### **WARNING:**

Do not use this product if it is not completely assembled or if any parts appear to be missing or damaged. Use of a product that is not properly and completely assembled or with damaged or missing parts could result in serious personal injury.

### **WARNING:**

Do not attempt to modify this product or create accessories or attachments not recommended for use with this product. Any such alteration or modification is misuse and could result in a hazardous condition leading to possible serious personal injury.

If any parts are damaged or missing, please call 1-800-525-2579 for assistance.

# OPERATION

## **WARNING:**

Do not allow familiarity with products to make you careless. Remember that a careless fraction of a second is sufficient to inflict severe injury.

## **WARNING:**

Always remove battery pack and nails from the tool before leaving the work area, moving the tool to another location, handing the tool to another person, assembling parts, cleaning, or when not in use. Always remove battery pack when making adjustments. Failure to do so could result in serious personal injury.

## **WARNING:**

Always wear eye protection with side shields marked to comply with ANSI Z87.1. Failure to do so could result in objects being thrown into your eyes, resulting in possible serious injury.

## **NOTICE:**

If the tool is exposed to temperatures below 32°F for long periods of time it may not operate. Allow the tool to warm up prior to use. If the tool is used in excessively high temperatures more than 104°F for prolonged periods, the unit may not operate properly or it may shut down. Allow the tool to cool before resuming normal use.

## **APPLICATIONS**

You may use this tool for the purposes listed below:

- Framing
- Floor Decking
- Exterior Decks
- Engineered Lumber
- Blocking Sub-Assemblies
- Fencing
- Crate and Box Assembly
- Trusses
- Pallets and Pallet Repair
- Subflooring

## **WARNING:**

Always wear eye protection. Eye protection does not fit all operators in the same way. Make sure the eye protection chosen has side shields or provides protection from flying debris both from the front and sides.

## **ATTACHING THE BELT CLIP**

See Figure 1, page 13.

The belt clip can be installed on the side of the nailer.

- Align belt clip and screw with the screw hole.
- Using a Phillips head screwdriver (not included), tighten securely.

## **INSTALLING/REMOVING BATTERY PACK**

See Figure 2, page 13.

**NOTE:** Use of a 3Ah or higher battery is recommended for the best performance.

- **To install**, place the battery pack in the tool. Align raised rib on battery pack with the groove inside the tool.

**NOTE:** During battery installation the battery foot will move, this is an intentional design.

- Make sure the latches on both sides of the battery pack snap into place and the battery pack is secured in the tool before beginning operation.

**NOTE:** Squeeze grip switch to activate nailer.

- **To remove**, locate latches on both sides of the battery pack and depress to release the battery pack from the tool.

For complete charging instructions, see the operator's manuals for your battery pack and charger.

## **NO-MAR PAD**

See Figure 3, page 13.

The no-mar pad attached to the nose of the tool helps prevent marring and denting when working with softer woods.

## **WARNING:**

Remove the battery pack from the tool before removing or replacing the no-mar pad. Failure to do so could result in serious personal injury.

The pad can be removed by pulling it down and away from the nose. To replace the pad, fit it into place over the nose and push up at the back to reseat.

## **LOADING THE TOOL WITH NAILS**

See Figures 4 and 5, page 13.

- Remove battery pack from the tool.
- With the nose of the tool pointed away from you, feed a strip of nails into the magazine. Be sure the nails are pointed downward and at the angle shown.



# OPERATION

## **WARNING:**

Keep the tool pointed away from yourself and others when loading nails. Failure to do so could result in possible serious personal injury.

- Slide the pusher all the way to the rear of the magazine. Release the pusher and allow it to push the nails up to the driving mechanism. The pusher will stop when it rests against the end of the nail strip.

**NOTE:** Do not allow the pusher to snap back into place.

## **WARNING:**

Use only the nails recommended for use with this tool. The use of any other nails can result in tool malfunction, leading to serious injuries.

## **WARNING:**

Never load nails with the workpiece contact or trigger activated. Doing so could result in possible serious personal injury.

## **WARNING:**

Do not use nails with a shank smaller than 0.113 in. diameter. Doing so may cause nails to exit the tool prematurely through the guide track. Do not use hardened nails with this tool. This could lead to excessive wear of the guide body and allow nails to exit the back of the guide body, leading to serious personal injury.

## **DEPTH OF DRIVE ADJUSTMENT**

See Figure 6, page 14.

The depth-of-drive of the nail may be adjusted. It is advisable to test the depth on a scrap workpiece to determine the required depth for the application.

To achieve the desired depth, use the depth-of-drive adjustment on the tool.

- Remove the battery pack and remove nails from the tool.
- Turn the depth selector left or right to change the driving depth.
- Install the battery and reload the tool with nails.
- Drive a test nail after each adjustment until the desired depth is set.

**NOTE:** Set depth of drive at the shallowest depth that will meet your needs.

## **DRIVING NAILS AT AN ANGLE**

See Figure 7, page 14.

When driving nails at an angle, make sure that the tool is pointed away from yourself and others.

When driving nails at an angle, make sure that the tool is positioned correctly. Driving at an angle that is too steep may:

- cause the nail to miss the workpiece
- cause the nail to ricochet
- cause the workpiece to splinter, causing the nail to come back toward the operator.

## **WARNING:**

Never drive a nail at an angle by tilting the tool forward. This could lead to the fastener missing the work surface or bouncing off the work surface, leading to serious injury.

## **WARNING:**

Remove the battery from the tool before removing nails or clearing a jammed fastener. Failure to do so could result in serious personal injury.

## **USING THE MODE SELECTOR SWITCH**

See Figures 8 and 9, page 14.

## **WARNING:**

Never wedge or hold back the workpiece contact mechanism during operation of the tool. Doing so could result in possible serious injury.

This tool is shipped from the factory with the mode selector switch set in the Single Sequential Actuation mode. The mode selector switch can also be set for Contact Actuation mode.

## **SINGLE SEQUENTIAL ACTUATION MODE**

Single sequential actuation provides the most accurate nail placement.

- Remove battery pack from the tool.
- Slide the selector to position (T).

## **WARNING:**

The nailer will not function properly if the selector is not securely seated in either position (T) or (TTT). Always assure the selector is seated properly to avoid an unexpected nail discharge and possible serious personal injury.

- Reinstall battery and activate the tool by pressing the grip switch.

# OPERATION

- Grip the tool firmly to maintain control. Position the nose of the tool onto the work surface.
- Push the tool against the work surface to depress the workpiece contact.
- Squeeze the trigger to drive a nail.

**NOTE:** Hold trigger until drive cycle is complete. If depressing the trigger does not drive a nail, release the trigger and lift the tool away from the workpiece, then replace and try driving the nail again.

- Always remove your finger from the trigger when the desired number of fasteners has been driven.

## CONTACT ACTUATION MODE

Contact actuation allows very fast repetitive nail placement.

- Remove battery pack from the tool.
- Slide the selector to position (TTT).
- Reinstall battery and activate the tool by pressing the worklight grip switch.
- Grip the tool firmly to maintain control.
- Squeeze and hold the trigger. Push the tool against the work surface to depress the workpiece contact and drive a nail. To drive another nail, lift the tool and press the contact against the work surface again.

**NOTE:** Hold trigger and keep workpiece contact depressed until drive cycle is complete.

- Always remove your finger from the trigger when the desired number of nails has been driven.

**NOTE:** In Contact Actuation Mode, the tool may also be operated by pressing the workpiece contact against the surface and squeezing the trigger.

### WARNING:

During normal use the tool will recoil immediately after driving a nail. This is a normal function of the tool. Do not attempt to prevent the recoil by holding the nailer against the work. Restriction to the recoil can result in a second nail being driven from the nailer. Failure to heed this warning can result in serious personal injury.

## DRY-FIRE LOCKOUT

When the magazine has 0-5 nails remaining, the dry-fire lockout feature will not allow continued operation.

To resume operation, reload the tool with nails.

## REMOVING NAILS FROM THE TOOL

See Figure 10 - 11, page 14.

### WARNING:

Remove the battery pack before removing nails or clearing a jammed nail. Failure to do so could result in serious personal injury.

- Remove the battery pack.
- To remove a strip of nails from the tool, press the release button on the pusher and guide it to the top of the magazine. When released, the nails will be released.

**NOTE:** Always keep fingers clear of nail track of magazine to prevent injury from unintended release of the pusher.

- Press down on the nail stop tab near the end of the magazine and slide the nails over the tab.
- Remove the nail strip from the tool.

## CLEARING A JAMMED FASTENER

See Figure 12 - 14, page 15.

### WARNING:

Remove the battery pack from the tool before clearing a jammed nail. Failure to do so could result in serious personal injury.

If a jam occurs, the tool will automatically enter into a jam mode and reset the driver blade. The tool LED, located underneath the mode switch, will flash red. Remove the battery pack. Check to ensure that the tool is free from a jammed fastener. In the event of a severe jam the magazine may require removal to clear the jammed fastener before reinserting the battery. The battery must be removed and reinstalled to reset it into normal operation mode.

- Remove battery pack from the tool.
- Remove fasteners from the tool.
- Using the included hex key, loosen, but do not remove, the two socket head cap screws at the front of the magazine that mount it to the tool.
- With the same hex key loosen the rear mounting socket head cap screw two to three turns, but do not remove it.
- Slide the magazine towards the rear of the tool. This should expose the jammed fastener and allow for easy clearing. If needed the magazine can be removed.
- Remove the bent nail, using needle-nose pliers if necessary.

**NOTE:** If a jam is too severe and needle nose pliers can't remove the jammed fastener, the tool may need to be serviced by an authorized service center.

- Reverse steps to replace the magazine.

# MAINTENANCE

## **WARNING:**

When servicing, use only identical replacement parts. Use of any other parts could create a hazard or cause product damage.

## GENERAL MAINTENANCE

Avoid using solvents when cleaning plastic parts. Most plastics are susceptible to damage from various types of commercial solvents and may be damaged by their use. Use clean cloths to remove dirt, dust, oil, grease, etc.

## REQUIRED DAILY CHECKLIST

- Remove the battery pack from the tool and remove all fasteners.
- Check all screws, nuts, bolts, and pins on the tool. If any of these are loose, they must be tightened with the appropriate size wrench.
- Press the workpiece contact against a workpiece to ensure that it moves smoothly.
- With the workpiece contact depressed, pull the trigger. The trigger should move smoothly, without binding.
- Select the full sequential actuation mode (T).
- While the tool is not loaded, insert the battery into the tool.
- Begin inspection:
  - Press the grip switch to activate the nailer.
  - Without pulling the trigger, press the workpiece contact against a workpiece several times. The tool must not actuate.
  - With the workpiece contact not engaged on the workpiece, point the tool down and away and pull the trigger several times. Hold the trigger in this position for a minimum of 5 seconds. The tool must not actuate.
  - Load fasteners, then press the workpiece contact firmly against the workpiece and pull the trigger. The tool must actuate.
  - With the workpiece contact still depressed, release the trigger. The driver must return to its up position.
- Remove the battery pack and remove all fasteners.
- Select the contact actuation mode (TTT).
- Place the battery pack in the tool.
- Begin inspection:
  - With the workpiece contact not engaged on the workpiece, point the tool down and away. Pull the trigger. The tool must not actuate.
  - Load fasteners, then fully depress the trigger and push the workpiece contact against a workpiece. The tool must actuate.
- Remove the battery pack and remove all fasteners.

- If the tool successfully meets all the requirements in this checklist, it is ready for use. Set the trigger on the tool to operate in the manner that best fits your application.
- Set the depth of drive according to the **Depth-of-drive Adjustment** section in this manual.
- Place the battery pack in the tool and load the proper fasteners for the desired application. Repeat this checklist before using the tool each day, or if the tool is dropped or damaged in any way.

## REFILLING THE AIR PRESSURE TANK

See Figure 15, page 15.

After the initial use, you may notice a decrease in performance. Refilling the air pressure tank to 125 psi can help restore the unit's performance.

- Remove the battery pack and all nails from the tool.
- Remove the plastic cover from the bottom of the tool with the included hex wrench.
- Twist slightly and remove the plastic cap from the air fill valve.
- Connect an air compressor to the valve and pressurize the tank to a maximum of 125 psi. Allow the tool to recharge for approximately 30 seconds.

**NOTE:** It is normal to hear a hissing sound while the tank is being refilled. Do not overfill. Always check the pressure before use. If overfilling occurs, a safety overflow valve will open to allow the excessive pressure to escape. Once the pressure has decreased, the valve will close automatically.

## **WARNING:**

Never pressurize tank to more than 125 psi. Failure to heed this warning can result in serious personal injury.

- Disconnect the air compressor and replace the plastic cap and cover before use.
- Reattach the plastic cover to the bottom of the tool with the included hex wrench.

# TROUBLESHOOTING

PROBLEM	POSSIBLE CAUSE	SOLUTION
Workpiece contact does not depress fully - tool does not operate	Low nails Work-contacting element is jammed	Remove battery and replenish nails Remove battery and clear jam
Tool operates properly, but nails do not drive fully	Air pressure is too low Depth of drive isn't deep enough Nail is too long for wood hardness Trigger released too soon Battery pairing is unsuitable	Refill air pressure tank Adjust depth of drive Use nail length that is appropriate for wood Hold trigger until fastener is driven Use a 3Ah battery or higher
Tool operates properly, but nails are driven too deep	Depth of drive is too deep	Adjust depth of drive
Tool jams frequently	Incorrect nails Damaged nails Loose magazine Dirty magazine	Verify that nails are the correct size Replace nails Tighten screws Clean magazine

## LED LIGHT FUNCTIONS

Tool Status	LED Light Scenario	Action Required
Normal	Solid Green Light (No Flashes)	No Action Needed
Low Battery	Solid Red Light (No Flashes)	Recharge or Replace Battery. If problem persists, contact an authorized service center for repair.
Jam Mode	Flashing Red Light	Clear Jam – See <b>Clearing a Jammed Fastener</b> in <i>Operations</i> .

**NOTE: ILLUSTRATIONS START ON PAGE 13  
AFTER FRENCH AND SPANISH LANGUAGE SECTIONS.**

# RÈGLES DE SÉCURITÉ RELATIVES AUX OUTILS ÉLECTRIQUES



## AVERTISSEMENT

Consulter tous les avertissements et toutes les instructions, les illustrations et les précisions fournis avec cet outil électrique. Le non-respect de toutes les instructions ci-dessous peut entraîner un choc électrique, un incendie et/ou des blessures graves.

Conserver les avertissements et les instructions à des fins de référence ultérieure. Le terme « outil motorisé », utilisé dans tous les avertissements ci-dessous désigne tout outil fonctionnant sur secteur (câblé) ou sur piles (sans fil).

## SÉCURITÉ DU LIEU DE TRAVAIL

- **Garder le lieu de travail propre et bien éclairé.** Les endroits encombrés ou sombres sont propices aux accidents.
- **Ne pas utiliser d'outils électriques dans des atmosphères explosives, par exemple en présence de liquides, gaz ou poussières inflammables.** Les outils électriques produisent des étincelles risquant d'enflammer les poussières ou vapeurs.
- **Garder les enfants et badauds à l'écart pendant l'utilisation d'un outil électrique.** Les distractions peuvent causer une perte de contrôle.

## SÉCURITÉ ÉLECTRIQUE

- **Les fiches des outils électriques doivent correspondre à la prise secteur utilisée. Ne jamais modifier la fiche, de quelque façon que ce soit. Ne jamais utiliser d'adaptateurs de fiche avec des outils mis à la terre.** Les fiches et prises non modifiées réduisent le risque de choc électrique.
- **Éviter tout contact du corps avec des surfaces mises à la terre, telles que tuyaux, radiateurs, cuisinières et réfrigérateurs.** Le risque de choc électrique est accru lorsque le corps est mis à la terre.
- **Ne pas exposer les outils électriques à l'eau ou l'humidité.** La pénétration d'eau dans ces outils accroît le risque de choc électrique.
- **Ne pas maltraiter le cordon d'alimentation. Ne jamais utiliser le cordon d'alimentation pour transporter l'outil et ne jamais débrancher ce dernier en tirant sur le cordon. Garder le cordon à l'écart de la chaleur, de l'huile, des objets tranchants et des pièces en mouvement.** Un cordon endommagé ou emmêlé accroît le risque de choc électrique.
- **Pour les travaux à l'extérieur, utiliser un cordon spécialement conçu à cet effet.** Utiliser un cordon conçu pour l'usage extérieur pour réduire les risques de choc électrique.
- **S'il est nécessaire d'utiliser l'outil électrique dans un endroit humide, employer un dispositif interrupteur de**

défaut à la terre (GFCI). L'utilisation d'un GFCI réduit le risque de décharge électrique.

- **Utiliser ce produit seulement avec les piles et les chargeurs indiqués dans le supplément de raccordement pour chargeur/outils/piles/appareil n° 987000-432.**

## SÉCURITÉ PERSONNELLE

- **Rester attentif, prêter attention au travail et faire preuve de bon sens lors de l'utilisation de tout outil électrique. Ne pas utiliser cet outil en état de fatigue ou sous l'influence de l'alcool, de drogues ou de médicaments.** Un moment d'inattention pendant l'utilisation d'un outil électrique peut entraîner des blessures graves.
- **Utiliser l'équipement de sécurité. Toujours porter une protection oculaire.** L'équipement de sécurité, tel qu'un masque filtrant, de chaussures de sécurité, d'un casque ou d'une protection auditive, utilisé dans des conditions appropriées réduira le risque de blessures.
- **Éviter les démarrages accidentels. S'assurer que le commutateur est en position d'arrêt avant de brancher l'outil.** Porter un outil avec le doigt sur son commutateur ou brancher un outil dont le commutateur est en position de marche peut causer un accident.
- **Retirer les clés de réglage avant de mettre l'outil en marche.** Une clé laissée sur une pièce rotative de l'outil peut causer des blessures.
- **Ne pas travailler hors de portée. Toujours se tenir bien campé et en équilibre.** Ceci permettra de mieux contrôler l'outil en cas de situation imprévue.
- **Porter une tenue appropriée. Ne porter ni vêtements amples, ni bijoux. Garder les cheveux et les vêtements à l'écart des pièces en mouvement.** Les vêtements amples, bijoux et cheveux longs peuvent se prendre dans les pièces en mouvement.
- **Si les outils sont équipés de dispositifs de dépoussiérage, s'assurer qu'ils sont connectés et correctement utilisés.** L'usage de ces dispositifs de dépoussiérage peut réduire les dangers présentés par la poussière.
- **Malgré votre expérience acquise par l'utilisation fréquente des outils, soyez toujours vigilant et respectez les principes de sécurité relatifs aux outils.** Il s'agit d'une fraction de seconde pour qu'un geste irréfléchi puisse causer de graves blessures.
- **Ne porter ni vêtements amples, ni bijoux. Attacher ou couvrir les cheveux longs.** Les vêtements amples, bijoux et cheveux longs peuvent se prendre dans les ouïes d'aération.

# RÈGLES DE SÉCURITÉ RELATIVES AUX OUTILS ÉLECTRIQUES

- **Ne pas utiliser l'outil sur une échelle ou un support instable.** Une bonne tenue et un bon équilibre permettent de mieux contrôler l'outil en cas de situation imprévue.

## UTILISATION ET ENTRETIEN DES OUTILS ÉLECTRIQUES

- **Ne pas forcer l'outil. Utiliser l'outil approprié pour l'application.** Un outil approprié exécutera le travail mieux et de façon moins dangereuse s'il est utilisé dans les limites prévues.
- **Ne pas utiliser l'outil si le commutateur ne permet pas de le mettre en marche ou de l'arrêter.** Tout outil qui ne peut pas être contrôlé par son commutateur est dangereux et doit être réparé.
- **Avant de procéder à un réglage, à un changement d'accessoire ou au rangement de l'outil, débranchez la prise de la source d'alimentation ou, si le bloc-piles est amovible, retirez-le de l'outil.** Ces mesures de sécurité préventives réduisent les risques de démarrage accidentel de l'outil.
- **Ranger les outils motorisés hors de la portée des enfants et ne laisser personne n'étant pas familiarisé avec l'outil ou ces instructions utiliser l'outil.** Dans les mains de personnes n'ayant pas reçu des instructions adéquates, les outils sont dangereux.
- **Entretenir les outils motorisés et accessoires. Vérifier qu'aucune pièce mobile n'est mal alignée ou bloquée, qu'aucune pièce n'est brisée et s'assurer qu'aucun autre problème ne risque d'affecter le bon fonctionnement de l'outil. En cas de dommages faire réparer l'outil avant de l'utiliser de nouveau.** Beaucoup d'accidents sont causés par des outils mal entretenus.
- **Garder les outils bien affûtés et propres.** Des outils correctement entretenus et dont les tranchants sont bien affûtés risquent moins de se bloquer et sont plus faciles à contrôler.
- **Utiliser l'outil, les accessoires et embouts, etc. conformément à ces instructions pour les applications pour lesquelles ils sont conçus, en tenant compte des conditions et du type de travail à exécuter.** L'usage d'un outil motorisé pour des applications pour lesquelles il n'est pas conçu peut être dangereux.
- **Gardez les poignées et les surfaces de prise sèches, propres et exemptes d'huile et de graisse.** Des poignées et des surfaces de prise glissantes empêchent la manipulation et le contrôle sécuritaires de l'outil dans des circonstances imprévues.

## UTILISATION ET ENTRETIEN DE LA PILE

- **Ne recharger qu'avec l'appareil spécifié par le fabricant.** Un chargeur approprié pour un type de pile peut créer un risque d'incendie s'il est utilisé avec un autre type de pile.
- **Utiliser exclusivement le bloc-pile spécifiquement indiqué pour l'outil.** L'usage de tout autre bloc peut créer un risque de blessures et d'incendie.
- **Lorsque le bloc-piles n'est pas en usage, le garder à l'écart d'articles tels qu'attaches trombones, pièces de monnaie, clous, vis ou autres petits objets métalliques risquant d'établir le contact entre les deux bornes.** La mise en court-circuit des bornes de piles peut causer des étincelles, des brûlures ou un incendie.
- **En cas d'usage abusif, du liquide peut s'échapper des piles. Éviter tout contact avec ce liquide. En cas de contact accidentel, rincer immédiatement les parties atteintes avec de l'eau. En cas d'éclaboussure dans les yeux consulter un médecin.** Le liquide s'échappant des piles peut causer des irritations ou des brûlures.
- **Ne pas utiliser un bloc-piles ou un l'outil endommagé ou modifié.** Le bris ou la modification du bloc-piles peut causer un comportement imprévisible et causer un incendie, une explosion ou des blessures.
- **Ne pas exposer le bloc-piles ou l'outil à un feu ou à des températures excessives.** L'exposition à un incendie ou à une température supérieure à 130 °C (265 °F) représente un risque d'explosion.
- **Suivre toutes les instructions afférentes à la recharge et ne pas recharger le bloc-piles ou l'outil hors des températures spécifiées dans les instructions.** Une recharge incorrecte ou hors des températures spécifiées peut endommager la pile et augmenter les risques de feu.

## DÉPANNAGE

- **Les réparations doivent être confiées à un technicien qualifié, utilisant exclusivement des pièces identiques à celles d'origine.** Ceci assurera le maintien de la sécurité de l'outil.
- **Ne réparez jamais de blocs-piles endommagés.** Seuls le fabricant et les fournisseurs de service autorisés doivent effectuer la réparation ou l'entretien des blocs-piles.
- **Utiliser exclusivement des pièces identiques à celles d'origine pour les réparations. Se conformer aux instructions de la section Entretien de ce manuel.** L'usage de pièces non autorisées ou le non-respect des instructions peut présenter des risques de choc électrique ou de blessures.

# RÈGLES DE SÉCURITÉ RELATIVES AUX CLOUEUSE

- **Toujours présumer que l'outil contient des attaches.** La manipulation inadéquate de la cloueuse peut provoquer un tir accidentel d'attaches et causer des blessures.
- **Ne pas pointer l'outil vers soi ou d'autres personnes.** L'actionnement accidentel entraînera le tir d'une attache et causera des blessures.
- **Ne pas actionner l'outil s'il n'est pas fermement appuyé sur la pièce à clouer.** Lorsque l'outil n'est pas en contact avec la pièce à clouer, l'attache peut être déviée de sa cible.
- **Débrancher l'outil de la source d'alimentation lorsque les confitures de fixation de l'outil.** Tout en retirant une agrafe coincée, l'agrafeuse peut être activé accidentellement s'il est branché po.
- **Être prudent lors du retrait d'une attache bloquée.** Le mécanisme peut être comprimé et l'attache peut être projetée avec force pendant la tentative de délogement.
- **Ne pas utiliser cette cloueuse pour fixer du câblage électrique.** Cet outil n'est pas conçu pour fixer du câblage électrique et peut endommager l'isolant des câbles et des risques d'électrocution et d'incendie.
- **Lorsque l'outil est utilisé pour un travail risquant de le mettre en contact avec des fils électriques cachés, le tenir par les surfaces de prise isolées.** Le contact d'un dispositif de fixation avec un fil sous tension expose les pièces métalliques de l'outil et peut électrocuter l'utilisateur.
- **Apprendre à connaître l'outil. Lire attentivement le manuel d'utilisation. Apprendre les applications et les limites de l'outil, ainsi que les risques spécifiques relatifs à son utilisation.** Le respect de cette consigne réduira les risques d'incendie, de choc électrique et de blessures graves.
- **Toujours porter une protection oculaire avec écran de protection latérale certifiée conforme à la norme ANSI Z87.1.** Les lunettes de vue ordinaires ne sont munies que de verres résistants aux chocs. Ces dernières ne sont PAS des lunettes de sécurité. Le respect de cette règle réduira les risques de blessures graves.
- **Lors du chargement, de l'utilisation ou de l'entretien de cet outil, l'opérateur et les personnes se trouvant sur le lieu de travail doivent TOUJOURS porter un dispositif oculaire à protection FRONTALE et LATÉRALE, conforme aux normes ANSI.** Une telle protection est requise, car les clous / agrafes et débris projetés peuvent causer des lésions oculaires graves.
- **Il incombe à l'employeur et / ou l'utilisateur de veiller à ce qu'une protection oculaire adéquate soit utilisée.** Nous recommandons d'utiliser un masque facial à champ de vision se portant par-dessus des lunettes de vue ou de sécurité et protégeant des débris projetés sur le devant et les côtés. Toujours porter une protection oculaire certifiée conforme à la norme ANSI Z87.1.
- **Des équipements de protection supplémentaires sont requis dans certains environnements.** Par exemple, le lieu de travail peut présenter un niveau de bruit susceptible d'entraîner des lésions auditives. Il incombe à l'opérateur et à l'utilisateur qu'une protection auditive soit fournie et utilisée par l'opérateur et les autres personnes se trouvant sur le lieu de travail. Certains environnements requièrent le port d'un casque. Il incombe à l'employeur et / ou l'utilisateur de veiller à ce qu'un casque conforme à la norme ANSI Z89.1-1997 soit utilisé.
- **Excepté pour planter des clous, garder les doigts à l'écart de la gâchette, pour éviter un déclenchement accidentel.**
- **Utiliser l'équipement de sécurité. Toujours porter une protection oculaire.** Suivant les conditions, le port d'un masque antipoussière, de chaussures de sécurité, d'un casque ou d'une protection auditive est recommandé.
- **Protection respiratoire. Porter un masque facial ou un masque antipoussière si le travail produit de la poussière.** Le respect de cette consigne réduira les risques de blessures graves.
- **Protection auditive. Porter une protection auditive lors de l'utilisation prolongée.** Le respect de cette règle réduira les risques de blessures graves.
- **Les outils fonctionnant sur piles n'ayant pas besoin d'être branchés sur une prise secteur, ils sont toujours en état de fonctionnement. Tenir compte des dangers possibles lorsque l'outil n'est pas en usage et lors du remplacement des piles.** Le respect de cette consigne réduira les risques d'incendie, de choc électrique et de blessures graves.
- **Ne pas placer les outils électriques sans fil ou leurs piles à proximité de flammes ou d'une source de chaleur.** Ceci réduira les risques d'explosion et de blessures.
- **L'outil ne doit être utilisé que pour les applications pour lesquelles il est conçu.** Ne pas décharger des clous / agrafes dans le vide.
- **Cet outil ne doit être utilisé que pour les applications pour lesquelles il est conçu.**
- **Utiliser seulement les agrafes recommandées pour cet outil.** L'utilisation du mauvais type d'agrafes pourrait nuire au débit des agrafes et entraîner des bourrages d'agrafes ainsi que l'éjection des clous de l'outil à des angles irréguliers. Si le débit des agrafes n'est pas constant et fluide, cesser de les utiliser sur le champ. Les bourrages et un débit d'agrafes irrégulier peuvent occasionner des blessures graves.
- **Ne jamais utiliser cet outil de façon à ce qu'un clou puisse être dirigé vers quoi que ce soit d'autre que la pièce à clouer.**
- **Ne pas utiliser cet outil comme un marteau.**
- **Toujours transporter l'outil par la poignée.**

# RÈGLES DE SÉCURITÉ RELATIVES AUX CLOUEUSE

- **Ne pas altérer ou modifier cet outil, ni l'utiliser pour des fonctions autres que celles prévues, sans autorisation préalable de son fabricant.**
- **Ne jamais oublier qu'un usage incorrect ou abusif de cet outil peut mettre l'opérateur et les autres personnes présentes en danger.**
- **Ne jamais bloquer la gâchette ou le contact de la cloueuse en position de déclenchement avec du ruban adhésif ou un quelconque autre système.**
- **Ne jamais laisser un outil sans surveillance si la pile est installée.**
- **Ne pas utiliser cet outil s'il ne comporte pas d'autocollant d'avertissement.**
- **Garder l'outil et sa poignée secs, propres et exempts d'huile ou de graisse.** Toujours utiliser un chiffon propre pour le nettoyage. Ne jamais utiliser de liquide de freins, d'essence, de produits à base de pétrole ou de solvants forts pour nettoyer l'outil. Le respect de cette règle réduira les risques de perte du contrôle et d'endommagement du boîtier en plastique.

## UTILISATION

- **Ne pas utiliser l'outil si la gâchette ne fonctionne pas correctement.** Tout outil qui ne peut pas être contrôlé par la gâchette est dangereux et doit être réparé.
- **Vérifier le mécanisme de contact de la tête de l'outil fréquemment.** Ne pas utiliser l'outil si le mécanisme de déclenchement par contact ne fonctionne pas correctement, car l'éjection accidentelle d'une agrafe pourrait se produire. Ne pas empêcher le fonctionnement correct du mécanisme de contact de la tête de la cloueuse.
- **Ne pas utiliser un outil qui ne fonctionne pas correctement.**
- **Toujours présumer que l'outil contient des clous / agrafes.**
- **Ne pas transporter l'outil avec le doigt sur la gâchette.** Un clou pourrait être éjecté accidentellement.
- **Toujours manipuler l'outil avec précaution :**
  - Respecter cet outil comme tout équipement de travail.
  - Ne pas l'utiliser comme un jouet.
  - Ne jamais appuyer sur la gâchette si la tête de l'outil n'est pas dirigée vers la pièce à clouer.
  - Garder toutes les personnes présentes à distance sûre de l'outil, car un éventuel déclenchement accidentel pourrait entraîner des blessures.
- **Le choix de la méthode de déclenchement est important. Voir les options de déclenchement dans le manuel.**
- **Les outils sont conçus pour une utilisation à une main.** Ne pas tenir l'outil par la face avant du chargeur. Tenir les mains, la tête et toute autre partie du corps à distance du point d'éjection des clous, près du chargeur, afin d'éviter des blessures graves.
- **Ne pas pointer l'outil ni vers soi, ni vers quiconque, qu'il contienne des clous / agrafes ou non.**
- **N'actionner l'outil que pour planter un clou dans la pièce à assujettir.**
- **Toujours s'assurer que la surface de contact est exactement positionnée sur la pièce à clouer.** Un positionnement seulement partiel de la surface de contact sur la pièce à clouer peut occasionner des blessures graves car l'agrafe risque d'être éjectée complètement à côté de la pièce.
- **Ne pas planter de clous près du bord du matériau.** La pièce à clouer peut se fendre, causant un ricochet du clou, qui risque alors de blesser l'opérateur ou une autre personne présente. Ne pas oublier que le clou peut suivre le grain du bois et que sa pointe peut ressortir inopinément par le bord de la planche.
- **Garder les mains et toutes les parties du corps à l'écart du point à clouer.** Au besoin, assujettir la pièce à clouer avec des serre-joint pour garder les mains à l'écart de la zone dangereuse. S'assurer que la pièce à clouer est correctement assujettie avant d'appuyer la cloueuse à sa surface. Le contact de la cloueuse peut causer un déplacement inopiné de la pièce.
- **Lors du travail dans des endroits confinés, garder le visage et le corps à l'écart de l'arrière de l'outil.** Un recul brusque peut projeter la cloueuse contre le corps, en particulier lors du clouage de matériaux denses.
- **Durant l'utilisation normale de l'outil, un recul se produit lorsqu'un clou est planté. Ce recul est normal.** Ne pas essayer de l'empêcher en maintenant l'outil contre la pièce à clouer. Empêcher le recul pourrait causer l'éjection d'un second clou. Tenir la poignée fermement, laisser l'outil exécuter le travail et ne jamais placer l'autre main sur le dessus de l'outil ou près de l'échappement. Le non respect de cette mise en garde peut entraîner des blessures graves.
- **Ne pas planter un clou sur un autre ou avec l'outil à un angle trop prononcé, car le clou pourrait dévier et blesser quelqu'un.**

## CHARGEMENT DE L'OUTIL

**Ne pas charger l'outil lorsque l'une des commandes de déclenchement est activée.**

- **Lors du chargement de l'outil :**
- **Ne jamais placer une main ou une partie quelconque du corps devant la tête de l'outil.**
- **Ne jamais pointer l'outil sur qui que ce soit.**
- **Ne pas appuyer sur la gâchette ou sur le mécanisme de contact, car l'outil pourrait éjecter une agrafe, risquant blesser quelqu'un.**




## CONSERVER CES INSTRUCTIONS

- **Les consulter fréquemment et les utiliser pour instruire les autres utilisateurs éventuels. Si cet outil est prêté, il doit être accompagné de ces instructions.**









# SYMBOLES

Les termes de mise en garde suivants et leur signification ont pour but d'expliquer le degré de risques associé à l'utilisation de ce produit.

SYMBOLE	SIGNAL	SIGNIFICATION
	<b>DANGER :</b>	Indique une situation dangereuse qui, si elle n'est pas évitée, aura pour conséquences des blessures graves ou mortelles.
	<b>AVERTISSEMENT :</b>	Indique une situation dangereuse qui, si elle n'est pas évitée, pourrait entraîner des blessures graves ou mortelles.
	<b>ATTENTION :</b>	Indique une situation dangereuse qui, si elle n'est pas évitée, pourrait entraîner des blessures légères ou de gravité modérée.
	<b>AVIS :</b>	(Sans symbole d'alerte de sécurité) Indique les informations jugées importantes sans toutefois représenter un risque de blessure (ex. : messages concernant les dommages matériels).

Certains des symboles ci-dessous peuvent être utilisés sur produit. Veiller à les étudier et à apprendre leur signification. Une interprétation correcte de ces symboles permettra d'utiliser produit plus efficacement et de réduire les risques.

SYMBOLE	NOM	DÉSIGNATION / EXPLICATION
	Symbole d'alerte de sécurité	Indique un risque de blessure potentiel.
	Lire le manuel d'utilisation	Pour réduire les risques de blessures, l'utilisateur doit lire et veiller à bien comprendre le manuel d'utilisation avant d'utiliser ce produit.
	Protection oculaire	Toujours porter une protection oculaire avec écrans latéraux certifiée conforme à la norme ANSI Z87.1.
	Garder les mains à l'écart	Garder les mains et le corps à l'écart de de la décharge de l'outil.
	Avertissement concernant l'humidité	Ne pas exposer à la pluie ou l'humidité.
	Symbole de recyclage	Ce produit utilise les piles de lithium-ion (Li-ion). Les réglementations locales ou gouvernementales peuvent interdire de jeter les piles dans les ordures ménagères. Consulter les autorités locales compétentes pour les options de recyclage et/ou l'élimination.
V	Volts	Tension
A	Amperes	courant
Hz	Hertz	Fréquence (cycles par seconde)
min	Minutes	Temps
—	Courant continu	Type ou caractéristique du courant
$n_0$	Vitesse à vide	Vitesse de rotation à vide
.../min	Par minute	Tours, coups, vitesse périphérique, orbites, etc., par minute

# GLOSSAIRE

## Activer (commandes de l'outil)

Mettre une commande sur une position déclenchant ou permettant de déclencher l'outil.

## Actionner (outil)

Causer le mouvement des pièces conçues pour chasser une agrafe.

## Système de déclenchement

Gâchette, déclencheur par contact et / ou autre commande qui, utilisées séparément ou conjointement déclenchent l'outil.

- **Déclenchement par séquence unique**

Système de déclenchement comprenant plus d'une commande et dont les commandes doivent être actionnées dans un ordre donné pour déclencher l'outil. Le déclenchement peut être répété lorsqu'une commande, autre que le déclencheur par contact, est relâchée, puis actionnée de nouveau.

- **Déclenchement par contact**

Système de déclenchement comprenant plus d'une commande et dont les commandes doivent être actionnées dans n'importe quel ordre pour déclencher

l'outil. Le déclenchement peut être répété lorsqu'une commande est relâchée, puis actionnée de nouveau.

## Pièce de fixation

Agrafe, cheville, clou ou autre pièce de fixation conçue et fabriquée pour être utilisée pour les outils répondant à cette norme.

## Blocage

Obstruction dans le système d'alimentation ou de décharge de l'outil.

## Commande

Dispositif qui, séparément ou en conjonction avec un système, peut causer le déclenchement de l'outil.

## Gâchette

Commande de l'outil actionnée par le doigt de l'opérateur.

## Pièce

Objet dans lequel un clou, une agrafe ou autre pièce de fixation est enfoncé par l'outil.

## Contact de déclenchement

Pièce ou partie de l'outil conçue pour le déclencher par contact avec la pièce à assujettir.

# CARACTÉRISTIQUES

## FICHE TECHNIQUE

Moteur ..... 18 VCC  
Capacité du magasin ..... 33 clous

Diamètre de la tige minimum..... 0,113 po  
Diamètre de la tige maximum..... 0,131 po  
Longueurs des agrafes..... 2 po à 3 1/2 po

# ASSEMBLAGE



### AVERTISSEMENT :

Ne pas utiliser le produit s'il n'est pas complètement assemblé ou si des pièces semblent manquantes ou endommagées. L'utilisation d'un produit dont l'assemblage est incorrect ou incomplet ou comportant des pièces endommagées ou absentes représente un risque de blessures graves.



### AVERTISSEMENT :

Ne pas essayer de modifier cet outil ou de créer des pièces et accessoires non recommandés. De telles altérations ou modifications sont considérées comme un usage abusif et peuvent créer des conditions dangereuses, risquant d'entraîner des blessures graves.

Si des pièces manquent ou sont endommagées, veuillez appeler au 1-800-525-2579 pour obtenir de l'aide.

# UTILISATION

## **AVERTISSEMENT :**

Ne pas laisser la familiarité avec l'outil faire oublier la prudence. Ne pas oublier qu'une fraction de seconde d'inattention peut entraîner des blessures graves.

## **AVERTISSEMENT :**

Toujours retirer le bloc-piles et les clous de l'outil avant de quitter la zone de travail, de déplacer l'outil vers un autre endroit, de remettre l'outil à une autre personne, d'assembler des pièces ou de nettoyer, ou en cas d'inutilisation. Toujours retirer le bloc-piles au moment d'effectuer des réglages. Ne pas prendre cette précaution peut causer des blessures graves.

## **AVERTISSEMENT :**

Toujours porter une protection oculaire avec écrans latéraux certifiée conforme à la norme ANSI Z87.1. Si cette précaution n'est pas prise, des objets peuvent être projetés dans les yeux et causer des lésions graves.

## **AVIS :**

Si l'outil est exposé à des températures inférieures à 0 °C (32 °F) pendant de longues périodes, il pourrait ne pas fonctionner. Laisser l'outil se réchauffer avant l'utilisation. Si l'outil est utilisé sur une durée prolongée à des températures excessivement élevées, soit supérieures à 40 °C (104 °F), il pourrait ne pas fonctionner correctement ou s'éteindre. Laisser l'outil se refroidir avant de continuer l'utilisation normale.

## **APPLICATIONS**

Cet outil peut être utilisé pour les applications ci-dessous :

- Charpenterie
- Platelage
- Terrasses en bois
- Bois de haute technologie
- Calage de sous-ensembles
- Palissades
- Assemblage de caisses
- Treillis
- Fabrication et réparation de palettes
- Faux planchers

## **AVERTISSEMENT :**

Toujours porter une protection oculaire. Les protections oculaires ne s'ajustent pas de la même façon sur toutes les personnes. Veiller à ce que le dispositif oculaire soit doté d'écrans latéraux protégeant des débris projetés sur le devant et les côtés.

## **AGRAFE POUR COURROIE**

Voir la figure 1, page 13.

L'agrafe pour courroie peut être installée du côté de cloueuse.

- Aligner l'agrafe pour courroie et la vis avec l'orifice pour vis.
- Utiliser un tournevis à tête cruciforme (non fourni) pour visser fermement.

## **INSTALLATION / RETRAIT DU BLOC-PILES**

Voir la figure 2, page 13.

**NOTE :** L'usage d'une pile de 3 Ah ou supérieur est recommandé pour une performance optimale.

- **Pour insérer**, insérer le bloc-piles dans l'outil. Aligner la nervure du bloc-piles sur la rainure intérieure de l'outil.

**NOTE :** Pendant l'installation de la pile, le pied de la pile bougera, ceci est une conception intentionnelle.

- S'assurer que ses deux loquets latéraux s'engagent correctement et vérifier que le bloc-piles est bien fixé avant d'utiliser l'outil.

**NOTE:** Appuyer sur l'interrupteur à gâchette pour réactiver la cloueuse.

- **Pour retirer**, appuyer sur les deux loquets se trouvant sur les côtés du bloc-piles pour le séparer de l'outil.

Pour prendre connaissance des consignes de chargement, consulter le manuel d'utilisation des piles et des chargeurs.

## **COUSSINET DE PROTECTION**

Voir la figure 3, page 13.

Le coussinet de protection empêche de marquer ou d'érafler les bois tendres.

## **AVERTISSEMENT :**

Retirer la pile de l'outil avant de retirer le coussinet de protection ou de le remettre en place. Ne pas prendre cette précaution peut entraîner des blessures graves.

Le coussinet peut être retiré en le tirant vers le bas et vers l'avant. Pour remettre le coussinet en place, le placer sur la tête et le pousser vers le haut pour l'engager.

## **CHARGEMENT DES CLOUS À PARQUET**

Voir les figures 4 et 5, page 13.

- Retirer le bloc-piles de l'outil.
- La tête de l'outil étant dirigée à l'écart de soi, insérer une bande de clous dans le magasin. S'assurer que les clous sont à l'angle indiqué, leur pointe dirigée vers le bas.

## **AVERTISSEMENT :**

Veiller à ne pointer l'outil ni vers soi, ni vers d'autres personnes lors du chargement de clous. Ne pas respecter cette consigne peut provoquer des blessures graves.

# UTILISATION

- Glisser le poussoir à fond vers l'arrière du magasin. Relâcher le poussoir et le laisser pousser les clous jusqu'au mécanisme d'entraînement. Le poussoir s'arrête lorsqu'il est appuyé contre l'extrémité de la bande de clous.

**NOTE :** Ne pas laisser le poussoir se rabattre brusquement.

## AVERTISSEMENT :

Utiliser exclusivement les clous recommandés pour cet outil. L'usage d'autres clous peut causer un mauvais fonctionnement de l'outil, susceptible d'entraîner des blessures graves.

## AVERTISSEMENT :

Ne jamais charger les clous avec la gâchette ou le mécanisme de déclenchement par contact activé. Cela pourrait entraîner des blessures graves.

## AVERTISSEMENT :

Ne pas utiliser de clous dont le diamètre est inférieur à 2,87 mm (0,113 po). Ne pas respecter cette directive peut faire en sorte que les clous soient expulsés prématurément de l'outil par la rampe. Ne pas utiliser de clous en acier trempé avec des outils. Cela peut user excessivement le corps de la rampe et amener les clous à sortir par l'arrière, ce qui peut causer des blessures graves.

## RÉGLAGE DE PROFONDEUR D'ENFONCEMENT

Voir la figure 7, page 14.

La profondeur d'enfoncement des clous peut être ajustée. Il est recommandé de faire un essai sur une chute afin de déterminer la profondeur requise pour l'application.

Pour obtenir la profondeur nécessaire, utiliser le réglage de profondeur d'enfoncement de l'outil.

- Retirer le bloc-piles et enlever les clous de l'outil.
- Tourner le sélecteur de profondeur vers la droite ou la gauche pour accroître ou réduire la profondeur.
- Retirer le bloc-piles et enlever les clous de l'outil.
- Planter un clou d'essai après chaque réglage, jusqu'à ce que la profondeur voulue soit obtenue.

**NOTE :** Régler la profondeur d'enfoncement selon la profondeur minimale qui conviendra au travail à effectuer.

## ENFONCER LES CLOUS À ANGLE

Voir la figure 7, page 14.

Avant d'enfoncer des clous à angle, s'assurer que l'outil n'est pas dirigé vers vous ou vers d'autres personnes.

Avant d'enfoncer des clous à angle, s'assurer que l'outil se trouve dans la bonne position. Enfoncer le clou à un angle trop abrupt peut :

- faire en sorte que le clou ne pénètre pas dans la pièce à travailler ;
- faire ricocher le clou ;
- fissurer ou faire éclater la pièce à travailler ; le clou peut alors ricocher sur l'utilisateur.

## AVERTISSEMENT :

Ne jamais enfoncer un clou en inclinant l'outil vers l'avant. Le pièce de fixation pourrait manquer la surface à travailler ou ricocher sur la surface et provoquer des blessures graves.

## AVERTISSEMENT :

Retirer le bloc de piles de l'outil avant de retirer ou débloquer un clou. Ne pas prendre cette précaution peut entraîner des blessures graves.

## UTILISATION DU SÉLECTEUR DE MODE DE LA GÂCHETTE

Voir les figures 8 et 9, page 14.

## AVERTISSEMENT :

Ne jamais caler ou bloquer le mécanisme de sûreté de déclenchement par contact pendant que l'outil est en fonctionnement. Cela pourrait entraîner des blessures graves.

Cet outil est expédié de l'usine alors que le sélecteur de mode de la gâchette est réglé en mode « commande séquentielle simple ». Il est également possible de régler le sélecteur de mode de la gâchette en mode « commande de contact ».

## DÉCLENCHEMENT PAR SÉQUENCE UNIQUE

Le mode de déclenchement par séquence unique permet le placement le plus précis des agrafes.

- Retirer le bloc-piles de l'outil.
- Glisser le sélecteur à la position (T).

## AVERTISSEMENT :

La cloueuse ne fonctionnera pas correctement si le sélecteur n'est pas positionné fermement sur (T) ou (TTT). Toujours s'assurer que le sélecteur est positionné correctement afin d'éviter un tir accidentel du clou et les risques de blessures graves.

- Réinstaller la pile et réactiver l'outil en appuyant sur l'interrupteur du témoin situé sur la prise.
- Saisir l'outil fermement pour maintenir le contrôle. Placer la tête de l'outil contre la pièce à clouer.
- Appuyer l'outil contre la pièce à agraffer pour actionner le dispositif de déclenchement par contact.

# UTILISATION

Appuyer sur la gâchette pour tirer une agrafe.

**NOTE :** Tenez la gâchette jusqu'à ce cycle d'entraînement est terminée. Si le fait d'appuyer sur la gâchette ne permet pas d'enfoncer une pièce de fixation, relâcher la gâchette et soulever l'outil de la pièce à travailler, puis le replacer et essayer de nouveau d'enfoncer une pièce de fixation.

- Toujours retirer son doigt de la gâchette dès que la quantité de clous désirée est enfoncée.

## DÉCLENCHEMENT PAR CONTACT

Le déclenchement par contact permet de planter un grand nombre de clous très rapidement.

- Retirer le bloc-piles de l'outil.
- Glisser le sélecteur sur la position (TTT).
- Réinstaller la pile et réactiver l'outil en appuyant sur l'interrupteur du témoin situé sur la prise.
- Saisir l'outil fermement pour maintenir le contrôle.
- Appuyer sur la gâchette et la maintenir enfoncée. Appuyer l'outil contre la pièce à clouer pour actionner le dispositif de déclenchement par contact et planter un clou. Pour enfoncer un autre clou, soulever l'outil et appuyer à nouveau le nez contre la surface de travail.

**NOTE :** Tenez la gâchette et garder le déclenchement par contact enfoncé jusqu'à ce cycle d'entraînement est terminée.

- Toujours retirer son doigt de la gâchette dès que la quantité de clous désirée est enfoncée.

**NOTE :** En mode de déclenchement par contact, les clous peuvent également être plantés en appuyant la tête de l'outil sur la pièce et en pressant la gâchette.

### AVERTISSEMENT :

**Durant l'utilisation normale de l'outil, un recul se produit lorsqu'un clou est planté. Ce recul est normal.**

Ne pas essayer de l'empêcher en maintenant l'outil contre la pièce à clouer. Cela pourrait causer l'éjection d'un second clou. Le non respect de cette mise en garde peut entraîner des blessures graves.

## VERROUILLAGE DE TIR À VIDE

Lorsque le magazine a 0-5 clous restants, le verrouillage de tir à vide empêche le fonctionnement de l'outil.

Pour continuer le travail, recharger la cloueuse.

## RETRAIT DE CLOUS DE L'OUTIL

Voir la figure 10 et 11, page 14.

### AVERTISSEMENT :

Retirer le bloc-piles avant de retirer ou de dégager les clous. Ne pas prendre cette précaution peut causer des blessures graves.

- Retirer le bloc-piles de l'outil.
- Pour retirer une bande de clous de l'outil, appuyer sur le bouton de libération du poussoir et le guider vers le haut du magasin. Lorsqu'ils sont relâchés, les clous sont libérés.

**NOTE :** Toujours garder les doigts à l'écart du guide de clous du magasin, pour éviter des blessures en cas de désengagement imprévu du poussoir.

- Appuyer sur la languette de butée se trouvant près de l'extrémité du magasin et glisser la bande de clous par-dessus cette languette.
- Retrait de la bande de clous de l'outil.

## DÉBLOCAGE D'UNE AGRAFE

Voir la figures 12 a 15, page 15.

### AVERTISSEMENT :

Retirer le bloc-piles de l'outil avant de retirer ou débloquent une agrafe. Ne pas prendre cette précaution peut entraîner des blessures graves.

En cas de blocage, l'outil se mettra automatiquement en mode blocage et réinitialisera la lame d'entraînement. La DEL de l'outil, située sous le commutateur de mode, clignote en rouge. Retirer le bloc-piles. Vérifier que le guide d'entraînement et le magasin ne contiennent pas de clou bloqué. Si le blocage est grave, il peut être nécessaire d'enlever le magasin pour libérer le clou bloqué avant de réinsérer la pile. La pile doit être retirée puis remise pour réinitialiser l'outil en mode de fonctionnement normal.

- Retirer le bloc-piles de l'outil.
  - Retirer les clous de l'outil.
  - À l'aide de la clé hexagonale incluse, desserrer, mais ne la retirez pas, les deux vis à chapeau à tête creuse situées à l'avant du magasin et le fixant à l'outil.
  - Avec la même clé hexagonale, desserrer la vis à chapeau à tête creuse de fixation arrière en tournant deux à trois fois, mais ne pas la retirer.
  - Glisser le magasin vers l'arrière de l'outil. Cela devrait exposer le clou bloqué et faciliter le déblocage. Si besoin, le magasin peut être retiré.
  - Retirer le clou plié en utilisant des pinces à bec effilé, si nécessaire.
- NOTE :** Si le blocage est trop grave et qu'il est impossible de dégager le clou bloqué avec la pince à bec effilé, l'outil doit être réparé par un centre d'entretien autorisé.
- Inverser les étapes pour remettre le magasin.

# ENTRETIEN

## AVERTISSEMENT :

Utiliser exclusivement des pièces d'origine pour les réparations. L'usage de toute autre pièce pourrait créer une situation dangereuse ou endommager l'produit.

## ENTRETIEN GÉNÉRAL

Éviter d'utiliser des solvants pour le nettoyage des pièces en plastique. La plupart des matières plastiques peuvent être endommagées par divers types de solvants du commerce. Utiliser un chiffon propre pour éliminer la saleté, la poussière, l'huile, la graisse, etc.

## LISTE DE CONTRÔLE QUOTIDIEN

- Retirer le bloc-piles de l'outil et retirer toutes les agrafes.
- Vérifier toutes les vis et tiges, et tous les écrous et boulons de l'outil. Resserrer au besoin toute pièce à l'aide d'une clé de dimension appropriée.
- Appuyer la surface de contact sur la pièce à clouer afin d'en vérifier le mouvement.
- Lorsque la surface de contact est enfoncée, appuyer sur la gâchette. La gâchette devrait avoir un mouvement fluide.
- Choisir le mode de déclenchement unique (T).
- Brancher l'outil non chargé à une alimentation d'air appropriée (70 psi).
- Commencer l'inspection :
  - Appuyer sur le commutateur de prise pour activer la cloueuse.
  - Désengager le dispositif de verrouillage de tir à vide et appuyer répétitivement la surface de contact sur une pièce sans appuyer sur la gâchette. L'outil ne doit pas fonctionner.
  - Pointer l'outil vers le sol et loin de soi, sans que la surface de contact ne touche la pièce, et appuyer répétitivement sur la gâchette. Tenir la gâchette dans cette position pendant au moins 5 secondes. L'outil ne doit pas fonctionner.
  - Charger les clous, puis appuyer la surface de contact fermement sur la pièce et appuyer sur la gâchette. L'outil doit fonctionner.
  - En tenant la surface de contact enfoncée, relâcher la gâchette. Le poinçon devrait retourner à sa position initiale.
- Retirer le bloc-piles d'air de l'outil et retirer toutes les agrafes.
- Choisir le mode de déclenchement par contact (TTT).
- Reinstaller le bloc-piles

- Commencer l'inspection :
  - Pointer l'outil vers le sol et loin de soi, sans que la surface de contact ne touche la pièce, et appuyer répétitivement sur la gâchette. Tenir la gâchette dans cette position pendant au moins 5 secondes. L'outil ne doit pas fonctionner.
  - Charger les clous, puis appuyer la surface de contact sur une pièce en tenant la gâchette enfoncée. L'outil doit fonctionner.
- Retirer le bloc-piles de l'outil et retirer toutes les agrafes.
- Si l'outil satisfait à toutes les exigences de cette liste de vérification, il peut être utilisé. Choisir le mode de déclenchement qui convient le mieux au travail à compléter.
- Régler la profondeur de clouage selon les instructions de la section **Régler la profondeur de clouage** du manuel.
- Reinstaller le bloc-piles et charger les clous appropriés pour la tâche à effectuer. Suivre cette liste de contrôle avant chaque utilisation quotidienne ou si l'outil est échappé ou endommagé de quelque manière que ce soit.

## REPLISSAGE DU RÉSERVOIR DE PRESSION D'AIR

Voir la figure 15, page 15.

Après l'utilisation initiale, vous pouvez remarquer une baisse de la performance. Remplir le réservoir de pression d'air à 125 psi peut aider à restaurer la performance de l'outil.

- Retirer le bloc-piles et tous les clous de l'outil.
- Enlever le couvercle de plastique du bas de l'outil à l'aide de la clé hexagonale incluse.
- Tordre légèrement et retirer le capuchon en plastique de la soupape de remplissage d'air.
- Connecter un compresseur d'air à la soupape et pressuriser le réservoir à 125 psi au maximum. Laisser l'outil se recharger pendant environ 30 secondes.

**NOTE :** Il est normal d'entendre un sifflement lors du remplissage du réservoir. Ne pas trop remplir. Toujours vérifier la pression avant l'utilisation. En cas de remplissage excessif, une soupape de décharge de sécurité s'ouvrira pour libérer la pression excessive. Une fois la pression diminuée, la soupape se fermera automatiquement.

## AVERTISSEMENT :

Ne jamais pressuriser le réservoir à une valeur supérieure à 125 psi. Le non respect de cette mise en garde peut entraîner des blessures graves.

- Déconnecter le compresseur d'air et remettre le capuchon en plastique.
- Remplacer le couvercle de plastique du bas de l'outil à l'aide de la clé hexagonale incluse.

# DÉPANNAGE

PROBLÈME	CAUSE POSSIBLE	SOLUTION
La contact de déclenchement n'est pas complètement enfoncée - l'outil ne fonctionne pas	Quantité faible de clous La pièce de déclenchement par contact est bloquée	Retirer la pile et recharger des clous Retirer la pile et déloger le bloquée
L'outil fonctionne correctement, mais les pièces de fixation ne s'enfoncent pas complètement	La pression d'air est trop faible La distance d'enfoncement n'est pas assez grande Le clou est trop long et ne convient pas à la dureté du bois Les joints de piston sont usés ou brisés Gâchette relâchée trop tôt. Le jumelage de la pile est inadéquat	Remplissage du réservoir de pression d'air Régler la profondeur d'enfoncement Utiliser une longueur de clou selon le bois à clouer Remplacer un ou les deux pistons (trousse d'entretien requise) Maintenir la gâchette jusqu'à ce que la pièce de fixation soit vissée. Utiliser une pile de 3 Ah ou plus
L'outil fonctionne correctement, mais les pièces de fixation s'enfoncent trop	La distance d'enfoncement est trop profonde	Régler la profondeur d'enfoncement
L'outil se bloque fréquemment	Clous de type incorrects Clous endommagés Magasin desserré Magasin encrassé	S'assurer que les clous sont de taille correcte Remplacer les clous Serrer les vis Nettoyer le magasin

## ONCTIONS DES TÉMOINS DEL

ÉTAT DE L'OUTIL	SCÉNARIO DES LUMIÈRES DEL	ACTION REQUISE
Normale	Lumière verte continue (aucun clignotement)	Aucune action requise
Pile faible	Lumière rouge continue (aucun clignotement)	Remplacer ou recharger la pile. Si le problème persiste, contacter un centre d'entretien autorisé pour effectuer une réparation.
Mode blocage	Lumière rouge clignotant	Dégager le blocage – voir la partie <b>Déblocage d'un clou</b> dans la section <i>Utilisation</i> .

**NOTE : ILLUSTRATIONS COMMENÇANT SUR 13 DE PAGE  
APRÈS LE SECTION ESPAGNOL.**

# ADVERTENCIAS DE SEGURIDAD PARA HERRAMIENTAS ELÉCTRICAS



## ADVERTENCIA:

Consulte todas las advertencias de seguridad, ilustraciones y especificaciones suministradas con esta herramienta eléctrica. No seguir las instrucciones indicadas a continuación puede provocar descargas eléctricas, incendios o lesiones graves.

Guarde todas las advertencias e instrucciones para futuras consultas. El término “herramienta eléctrica” empleado en todos los avisos de advertencia enumerados abajo se refiere a las herramientas eléctricas de cordón (alámbricas) y de baterías (inalámbricas).

## SEGURIDAD EN EL ÁREA DE TRABAJO

- **Mantenga limpia y bien iluminada el área de trabajo.** Un área de trabajo mal despejada o mal iluminada propicia accidentes.
- **No utilice herramientas motorizadas en atmósferas explosivas, como las existentes alrededor de líquidos, gases y polvos inflamables.** Las herramientas eléctricas generan chispas que pueden encender el polvo y los vapores inflamables.
- **Mantenga alejados a los niños y circunstantes al maniobrar una herramienta eléctrica.** Toda distracción puede causar pérdida del control de la herramienta.

## SEGURIDAD ELÉCTRICA

- **Las clavijas de las herramientas eléctricas deben corresponder a las tomas de corriente donde se conectan. Nunca modifique la clavija de ninguna forma. No utilice ninguna clavija adaptadora con herramientas eléctricas dotadas de contacto a tierra.** Conectando las clavijas originales en las tomas de corriente donde corresponden se disminuye el riesgo de una descarga eléctrica.
- **Evite el contacto del cuerpo con las superficies de objetos que estén haciendo tierra o estén conectados a ésta, como tuberías, radiadores, estufas y refrigeradores.** Existe un mayor riesgo de descargas eléctricas si el cuerpo está haciendo tierra.
- **No exponga las herramientas eléctricas a la lluvia ni a condiciones de humedad.** La introducción de agua en una herramienta eléctrica aumenta el riesgo de descargas eléctricas.
- **No maltrate el cordón eléctrico. Nunca utilice el cordón para trasladar, desconectar o tirar de la herramienta eléctrica. Mantenga el cordón alejado del calor, del aceite, de bordes afilados y de piezas móviles.** Los cordones eléctricos dañados o enredados aumentan el riesgo de descargas eléctricas.
- **Al utilizar una herramienta eléctrica a la intemperie, use un cordón de extensión apropiado para el exterior.** Usando un cordón adecuado para el exterior se disminuye el riesgo de descargas eléctricas.

- **Si debe operar una herramienta en lugares húmedos, use un suministro protegido por un interruptor de circuito con pérdida a tierra (GFCI).** El uso de un GFCI reduce el riesgo de descargas eléctricas.
- **Usar este producto únicamente con la baterías y el cargador indicados en el folleto de la herramienta/aparato/paquete de baterías/cargador complementario 987000-432.**

## SEGURIDAD PERSONAL

- **Permanezca alerta, preste atención a lo que esté haciendo y aplique el sentido común al utilizar herramientas eléctricas. No utilice la herramienta eléctrica si está cansado o se encuentra bajo los efectos de alguna droga, alcohol o medicamento.** Un momento de inatención al utilizar una herramienta eléctrica puede causar lesiones corporales serias.
- **Use equipo de seguridad. Siempre póngase protección ocular.** El uso de equipo de seguridad como mascarilla para el polvo, calzado de seguridad, casco y protección para los oídos en las circunstancias donde corresponda disminuye el riesgo de lesiones.
- **Evite un arranque accidental de la unidad. Asegúrese de que el interruptor esté en la posición de apagado antes de conectar la herramienta.** Portar las herramientas eléctricas con el dedo en el interruptor, o conectarlas con el interruptor puesto, propicia accidentes.
- **Retire toda llave o herramienta de ajuste antes de encender la herramienta eléctrica.** Toda llave o herramienta de ajuste dejada en una pieza giratoria de la herramienta eléctrica puede causar lesiones.
- **No estire el cuerpo para alcanzar mayor distancia. Mantenga una postura firme y buen equilibrio en todo momento.** De esta manera se logra un mejor control de la herramienta eléctrica en situaciones inesperadas.
- **Vístase adecuadamente. No vista ropas holgadas ni joyas. Mantenga el cabello y la ropa alejados de las piezas móviles.** Las ropas holgadas, las joyas y el cabello largo pueden engancharse en las piezas móviles.
- **Si se suministran dispositivos para conectar mangueras de extracción y captación de polvo, asegúrese de que éstas estén bien conectadas y se usen correctamente.** La utilización de captador de polvo puede disminuir los peligros relacionados con el polvo.
- **No permita que la familiaridad obtenida por el uso frecuente de las herramientas lo vuelva complaciente e ignore los principios de seguridad de las herramientas.** Una acción descuidada puede causar lesiones graves en una fracción de segundo.
- **No vista ropas holgadas ni joyas. Recójase el cabello si está largo.** Las ropas holgadas y las joyas, así como el cabello largo, pueden resultar atraídas hacia el interior de las aberturas de ventilación.
- **No utilice la unidad al estar en una escalera o en un soporte inestable.** Una postura estable sobre



# ADVERTENCIAS DE SEGURIDAD PARA HERRAMIENTAS ELÉCTRICAS

una superficie sólida permite un mejor control de la herramienta eléctrica en situaciones inesperadas.

## EMPLEO Y CUIDADO DE LA HERRAMIENTA ELÉCTRICA

- **No fuerce la herramienta eléctrica. Utilice la herramienta eléctrica adecuada para cada trabajo.** La herramienta eléctrica adecuada efectúa mejor y de manera más segura el trabajo, si además se maneja a la velocidad para la que está diseñada.
- **No utilice la herramienta si el interruptor no enciende o no apaga.** Cualquier herramienta eléctrica que no pueda controlarse con el interruptor es peligrosa y debe repararse.
- **Desconecte el enchufe de la fuente de alimentación o retire el paquete de baterías, si es desmontable, de la herramienta eléctrica antes de realizar ajustes, cambiar accesorios o almacenar herramientas eléctricas.** Tales medidas preventivas de seguridad reducen el riesgo de poner en marcha accidentalmente la herramienta.
- **Guarde las herramientas eléctricas desocupadas fuera del alcance de los niños y no permita que las utilicen personas no familiarizadas con las mismas o con estas instrucciones.** Las herramientas eléctricas son peligrosas en manos de personas no capacitadas en el uso de las mismas.
- **Preste servicio a las herramientas eléctricas y accesorios. Revise para ver si hay desalineación o atoramiento de piezas móviles, ruptura de piezas o cualquier otra condición que pueda afectar el funcionamiento de la herramienta. Si está dañada la herramienta eléctrica, permita que la reparen antes de usarla.** Numerosos accidentes son causados por herramientas eléctricas mal cuidadas.
- **Mantenga las herramientas de corte afiladas y limpias.** Las herramientas de corte bien cuidadas y con bordes bien afilados, tienen menos probabilidad de atascarse en la pieza de trabajo y son más fáciles de controlar.
- **Utilice la herramienta eléctrica, los accesorios y brocas, hojas y cuchillas de corte, ruedas de esmeril, etc. de conformidad con estas instrucciones, tomando en cuenta las condiciones de trabajo y la tarea por realizar.** Si se utiliza la herramienta eléctrica para operaciones diferentes de las indicadas podría originar una situación peligrosa.
- **Mantenga los mangos y superficies de agarre limpias y libres de aceite y grasa.** Los mangos y superficies de agarre resbalosas no permiten la manipulación y control seguro de la herramienta en situaciones inesperadas.

## EMPLEO Y CUIDADO DE LA HERRAMIENTA DE BATERÍAS

- **Sólo cargue el paquete de baterías con el cargador especificado por el fabricante.** Un cargador adecuado para un tipo paquete de baterías puede significar un riesgo de incendio si se emplea con un paquete de baterías diferente.
- **Utilice las herramientas eléctricas sólo con los paquetes de baterías específicamente indicados.** El empleo de paquetes de baterías diferentes puede presentar un riesgo de incendio.
- **Cuando no esté utilizándose el paquete de baterías, manténgalo lejos de otros objetos metálicos, como clips, monedas, llaves, clavos, tornillos o otros objetos metálicos, pequeños que puedan establecer conexión entre ambas terminales.** Establecer una conexión directa entre las dos terminales de las baterías puede causar quemaduras o incendios.
- **Si se maltratan las baterías, puede derramarse líquido de las mismas; evite todo contacto con éste. En caso de contacto, lávese con agua. Si el líquido llega a tocar los ojos, además busque atención médica.** El líquido de las baterías puede causar irritación y quemaduras.
- **No utilice un paquete de baterías o un herramienta que esté dañado o modificado.** Las baterías dañadas o modificadas pueden tener un funcionamiento impredecible que provoque incendios, explosiones o riesgo de lesiones.
- **No exponga el paquete de baterías o el herramienta al fuego o a temperaturas excesivas.** La exposición al fuego o a temperaturas sobre los 130 °C (265 °F) puede provocar explosiones.
- **Siga todas las instrucciones de carga y no cargue el paquete de baterías ni el herramienta fuera del rango de temperaturas especificado en las instrucciones.** Si realiza la carga en forma incorrecta o fuera de las temperaturas del rango especificado puede dañar la batería y aumentar el riesgo de incendios.

## SERVICIO

- **Permita que un técnico de reparación calificado preste servicio a la herramienta eléctrica, y sólo con piezas de repuesto idénticas.** De esta manera se mantiene la seguridad de la herramienta eléctrica.
- **Nunca repare paquetes de baterías dañados.** La reparación de paquetes de baterías solo puede ser realizada por el fabricante o proveedores de servicio autorizados.
- **Al dar servicio a una herramienta eléctrica, sólo utilice piezas de repuesto idénticas. Siga las instrucciones señaladas en la sección Mantenimiento de este manual.** El empleo de piezas no autorizadas o el incumplimiento de las instrucciones de mantenimiento puede significar un riesgo de descarga eléctrica o de lesiones.

# ADVERTENCIAS DE SEGURIDAD PARA CLAVADORA

- **Siempre suponga que la herramienta contiene sujetadores (clavos o grapas, según sea el caso).** El manejo descuidado de la clavadora puede hacer que se accione el gatillo inesperadamente y que se disparen sujetadores que podrían causar lesiones personales.
- **No apunte la herramienta hacia su cuerpo ni hacia otra persona que se encuentre cerca.** Un accionamiento inesperado del gatillo disparará el sujetador y eso causará lesiones.
- **No accione la herramienta a menos que esté firmemente colocada contra la pieza de trabajo.** Si la herramienta no entra en contacto con la pieza de trabajo, el sujetador puede desviarse.
- **Desconecte la herramienta de la fuente de alimentación cuando los atascos de sujeción de la herramienta.** Al retirar un sujetador atascado, la clavadora puede ser activado accidentalmente si está enchufado.
- **Sea precavido al retirar el sujetador atascado.** El mecanismo puede encontrarse sometido a compresión y el sujetador podría salir disparado con fuerza al tratar de arreglar un atascamiento.
- **No utilice esta clavadora para sujetar cables de electricidad.** No está diseñada para la instalación de cables de electricidad y puede dañar el aislamiento de los cables y causar descargas eléctricas o riesgo de incendio.
- **Sujete la herramienta eléctrica por las superficies aisladas de sujeción al efectuar una operación en la cual el sujetador pueda entrar en contacto con cables ocultos.** Si los sujetadores tocan cables con corriente, las piezas metálicas expuestas de la herramienta eléctrica pueden transportar corriente y ocasionar así una descarga eléctrica al operador.
- **Familiarícese con su herramienta eléctrica. Lea cuidadosamente el manual del operador. Aprenda sus usos y limitaciones, así como los posibles peligros específicos de esta herramienta eléctrica.** Con el cumplimiento de esta regla se reduce el riesgo de una descarga eléctrica, incendio o lesión seria.
- **Siempre póngase protección ocular con protección lateral con la marca de cumplimiento de la norma ANSI Z87.1.** Los anteojos comunes solo tienen lentes resistentes a los impactos. No son gafas de seguridad. Con el cumplimiento de esta regla se reduce el riesgo de lesiones corporales serias.
- **Al cargar, utilizar y dar servicio a esta herramienta, el operador y demás personas SIEMPRE deben llevar puesta protección ocular que cumpla con las especificaciones ANSI y ofrezca protección contra partículas que salgan disparadas del FRENTE y de los LADOS.** Se requiere protección ocular como protección contra sujetadores y desechos que salgan disparados, los cuales pueden causar lesiones oculares serias.
- **Tanto el patrón como el operador deben asegurarse de que se use protección ocular adecuada.** Recomendamos la careta protectora de visión amplia encima de los anteojos normales o de los anteojos de seguridad que ofrecen protección frontal y lateral contra partículas que salen disparadas. Siempre póngase protección ocular con la marca de cumplimiento de la norma ANSI Z87.1.
- **En algunos entornos se requiere protección adicional.** Por ejemplo, en el área de trabajo puede haber exposición a un nivel de ruido que puede dañar el oído. El patrón y el operador deben asegurarse de contar con toda la protección auditiva necesaria y de que sea usada por el operador mismo y demás personas presentes en el área de trabajo. En algunos entornos se requiere el uso de equipo de protección para la cabeza. Cuando se requiera, el patrón y el operador deben asegurarse de que la protección usada para la cabeza cumpla con la norma ANSI Z89.1-1997.
- **Para evitar disparar accidentalmente la herramienta,** mantenga los dedos lejos del gatillo cuando no esté clavando.
- **Utilice equipamiento de seguridad. Utilice equipamiento de seguridad.** Cuando lo exijan las circunstancias debe ponerse careta contra el polvo, zapatos de seguridad antiderrapantes, casco o protección auditiva.
- **Protéjase los pulmones. Use una careta o mascarilla contra el polvo si la operación genera mucho polvo.** Con el cumplimiento de esta regla se reduce el riesgo de lesiones serias.
- **Protéjase los oídos. Durante períodos prolongados de utilización del producto, póngase protección para los oídos.** Con el cumplimiento de esta regla se reduce el riesgo de lesiones corporales serias.
- **No se necesita conectar a una toma de corriente las herramientas de baterías; por lo tanto, siempre están en condiciones de funcionamiento. Esté consciente de los posibles peligros cuando no esté usando la herramienta de baterías o cuando esté cambiando los accesorios de la misma.** Con el cumplimiento de esta regla se reduce el riesgo de una descarga eléctrica, incendio o lesión corporal seria.
- **No coloque herramientas de baterías ni las baterías mismas cerca del fuego o del calor.** De esta manera se reduce el riesgo de explosiones y de lesiones.
- **Solamente utilice esta herramienta para el propósito especificado.** No dispare sujetadores al aire.
- **Use la herramienta solamente para el propósito para el que fue diseñada.**
- **Solamente utilice los sujetadores recomendados para esta herramienta.** El uso de los sujetadores incorrectos podría hacer que los sujetadores no avancen bien, que se atoren y que los clavos no salgan de la herramienta siempre al mismo ángulo. Si los sujetadores no avanzan de manera uniforme y correcta, interrumpa su uso de inmediato. Los sujetadores atorados que avanzan de manera incorrecta pueden provocar lesiones serias.
- **Nunca utilice esta herramienta de ninguna forma que pueda dirigir un sujetador hacia ninguna otra cosa que no sea la pieza de trabajo.**
- **No use la herramienta como martillo.**
- **Siempre porte la herramienta por el mango.**
- **No altere ni modifique esta herramienta con respecto al diseño o funcionamiento original sin la aprobación del fabricante.**

# ADVERTENCIAS DE SEGURIDAD PARA CLAVADORA

- Siempre tenga presente que el uso y manejo indebidos de esta herramienta puede causarles lesiones a usted y a otras personas.
- Nunca sujete con prensa o cinta adhesiva el gatillo ni el disparador de contacto en la posición de accionamiento.
- Nunca deje desatendida ninguna herramienta con la batería instalada.
- No utilice esta herramienta si no tiene una etiqueta de advertencia.
- Mantenga la herramienta y el mango secos, limpios y libres de aceite y grasa. Siempre utilice un trapo limpio para limpiar la unidad. Nunca utilice fluidos para frenos, gasolina, productos a base de petróleo ni solventes fuertes para limpiar la herramienta. Si respeta esta regla, reducirá el riesgo de pérdida de control y deterioro del plástico del gabinete.

## FUNCIONAMIENTO

- No utilice la herramienta si no funciona correctamente el gatillo. Una herramienta que no pueda controlarse con el gatillo es peligrosa y debe repararse.
- Verifique con frecuencia el funcionamiento del mecanismo del disparador de contacto. No use la herramienta si no está funcionando correctamente el mecanismo del disparador de contacto, ya que puede causarse por accidente el disparo de un sujetador. No interfiera en el funcionamiento normal del mecanismo del disparador de contacto.
- Sólo utilice los sujetadores recomendados para cada modelo en particular.
- Siempre suponga que la herramienta contiene sujetadores.
- No traslade la herramienta de un lugar a otro con el dedo en el gatillo. Podría producirse un disparo accidental.
- Siempre maneje con cuidado la herramienta:
  - Respete la herramienta como un elemento de trabajo.
  - Nunca participe en jugueteos.
  - Nunca tire del gatillo a menos que la punta de la herramienta esté dirigida hacia la superficie de trabajo.
  - Mantenga a las demás personas a una distancia segura de la herramienta mientras esté utilizándose ésta ya que puede ocurrir un accionamiento accidental de la misma, y posibles lesiones.
- Es importante el método de disparo elegido. Estudie el manual, en el cual se describen las diferentes formas de disparar.
- Las herramientas están diseñadas para usarlas con una sola mano. No sujete la herramienta por el frente del cargador. No ponga las manos, la cabeza ni ninguna otra parte del cuerpo cerca de la parte inferior del cargador, por donde salen los clavos de la herramienta, ya que se pueden producir lesiones serias.
- No apunte la herramienta hacia usted mismo ni a ninguna otra persona, ya sea que contenga sujetadores o no.
- No accione la herramienta a menos que tenga la intención de introducir un sujetador en la pieza de trabajo.
- Siempre asegúrese de que el elemento de contacto con la pieza de trabajo esté totalmente colocada encima de ella. Colocar el elemento de contacto con la pieza de trabajo solamente de manera parcial encima de ella podría causar que el sujetador no se introduzca en la pieza de trabajo por completo y provoque lesiones serias.
- No introduzca clavos cerca del borde del material. La pieza de trabajo puede partirse y causar que el clavo rebote y lesione a un compañero de trabajo. Tenga presente que el clavo puede seguir la fibra de la madera y salir inesperadamente por un lado de la pieza de trabajo.
- Mantenga las manos y todas las partes del cuerpo lejos del área de trabajo inmediata. Sujete firmemente la pieza de trabajo con prensas de mano cuando sea necesario para proteger las manos y el cuerpo de todo posible peligro. Asegúrese de que la pieza de trabajo esté debidamente asegurada antes de presionar la clavadora contra el material. El disparador de contacto puede causar un movimiento inesperado de la pieza de trabajo.
- Mantenga la cara y las demás partes del cuerpo lejos de la tapa de la herramienta al trabajar en espacios limitados. En una retracción súbita la herramienta puede golpear el cuerpo, especialmente al clavar en material duro o denso.
- Durante el uso normal de la herramienta, ésta se retrae de inmediato después de introducir un sujetador. Así es el funcionamiento normal de la herramienta. No intente impedir la retracción presionando la clavadora contra la pieza de trabajo. Toda restricción impuesta a la retracción puede producir la impulsión de un segundo sujetador en la clavadora. Sujete firmemente el mango, permita a la herramienta que haga el trabajo y no coloque la otra mano encima de la herramienta ni cerca del escape de aire en ningún momento. La inobservancia de esta advertencia puede causar lesiones corporales serias.
- No introduzca sujetadores encima de otros, ni con la herramienta a un ángulo excesivamente pronunciado, ya que esto puede causar la desviación de los sujetadores y con ello posibles lesiones.

## CÓMO CARGAR LA HERRAMIENTA




- No cargue los sujetadores en la herramienta cuando esté activado cualquiera de los controles de operación de la misma.
- Al cargar la herramienta:
- Nunca coloque las manos ni ninguna parte del cuerpo en el área de la herramienta donde sale disparado el sujetador (clavo o grapa, según sea el caso).
- Nunca apunte la herramienta a nadie.
- No tire del gatillo ni oprima el disparador de contacto, ya que puede accionarse accidentalmente la herramienta y causar lesiones. salir inesperadamente por un lado de la pieza de trabajo.

## GUARDE ESTAS INSTRUCCIONES







- Consúltelas con frecuencia y empléelas para instruir a otras personas que puedan utilizar esta herramienta. Si presta a alguien esta herramienta, facilítele también las instrucciones.

# SÍMBOLOS

Las siguientes palabras de señalización y sus significados tienen el objeto de explicar los niveles de riesgo relacionados con este producto.

SÍMBOLO	SEÑAL	SIGNIFICADO
	<b>PELIGRO:</b>	Indica una situación peligrosa, la cual, si no se evita, causará la muerte o lesiones serias.
	<b>ADVERTENCIA:</b>	Indica una situación peligrosa, la cual, si no se evita, podría causar la muerte o lesiones serias.
	<b>PRECAUCIÓN:</b>	Indica una situación peligrosa, la cual, si no se evita, podría causar lesiones menores o leves.
	<b>AVISO:</b>	(Sin el símbolo de alerta de seguridad) Indica la información que se considera importante, pero no relacionada con lesiones potenciales (por ej. en relación a daños a la propiedad).

Es posible que se empleen en este producto algunos de los siguientes símbolos. Le suplicamos estudiarlos y aprender su significado. Una correcta interpretación de estos símbolos le permitirá utilizar mejor y de manera más segura el producto.

SÍMBOLO	NOMBRE	DENOMINACIÓN/EXPLICACIÓN
	Alerta de seguridad	Indica un peligro posible de lesiones personales.
	Lea el manual del operador	Para reducir el riesgo de lesiones, el usuario debe leer y comprender el manual del operador antes de usar este producto.
	Protección ocular	Siempre póngase protección ocular con protección lateral con la marca de cumplimiento de la norma ANSI Z87.1.
	Mantenga lejos las manos	Mantenga las manos y el resto del cuerpo lejos del área de la herramienta por donde sale disparado el sujetador.
	Alerta de condiciones húmedas	No exponga la unidad a la lluvia ni la use en lugares húmedos.
	Símbolo de reciclado	Este producto utiliza baterías de iones de litio (Li-ion). Es posible que algunas leyes municipales, estatales o federales prohíban desechar las baterías en la basura normal. Consulte a las autoridades reguladoras de desechos para obtener información en relación con las alternativas de reciclado y desecho disponibles.
V	Volts	Voltaje
A	Amperaje	Corriente
Hz	Hertz	Frecuencia (ciclos por segundo)
min	Minutos	Tiempo
≡	Corriente continua	Tipo o característica de corriente
n <sub>0</sub>	Velocidad en vacío	Velocidad de rotación, en vacío
.../min	Por minuto	Revoluciones, carreras, velocidad superficial, órbitas, etc., por minuto

# GLOSARIO DE TÉRMINOS

## Activar (los controles de accionamiento)

Es mover un control de accionamiento de manera que quede en una posición en la cual se accione la herramienta o cumpla con un requisito necesario para accionar la misma.

## Accionar (la herramienta)

Es producir el movimiento de los componentes de la herramienta específicos para introducir un sujetador (clavo o grapa, según sea el caso).

## Sistema de accionamiento

Es el gatillo, el disparador de contacto o cualquier otro control de accionamiento, empleado(s) por separado o en alguna combinación o secuencia, para accionar la herramienta.

- **Accionamiento secuencial sencillo**

Es un sistema de accionamiento en el cual hay más de un control de accionamiento y éstos deben ser activados en una secuencia específica para accionar la herramienta. Puede ocurrir un accionamiento adicional cuando un control de accionamiento específico, que no sea el disparador de contacto, se suelta y se vuelve a activar.

- **Accionamiento por contacto**

Es un sistema de accionamiento en el cual hay más de un control de accionamiento y éstos pueden ser activados en cualquier secuencia para accionar la herramienta. Puede ocurrir un accionamiento adicional

cuando cualquier control de accionamiento se suelta y se vuelve a activar.

## Sujetador

Es una grapa, clavo, puntilla o cualquier otra pieza de unión diseñada y fabricada para utilizarse en las herramientas de este tipo.

## Atoramiento

Es una obstrucción en las zonas de alimentación o introducción de sujetadores (clavos o grapas, según sea el caso) de la herramienta.

## Control de accionamiento

Es un control que, por separado o como parte de un sistema de accionamiento de una herramienta, sirve para accionarla.

## Gatillo

Es un control de accionamiento de una herramienta el cual maneja con los dedos el operador.

## Pieza de trabajo

Es el objeto específico en el cual se introduce un sujetador (clavo o grapa, según sea el caso) con una herramienta.

## Disparador de contacto

Es un elemento de control de accionamiento o un conjunto de tales elementos, el cual es activado al tocar el material en el que va a introducirse el sujetador.

# CARACTERÍSTICAS

## ESPECIFICACIONES DEL PRODUCTO

Motor ..... 18 V CC  
Capacidad del alimentador ..... 33 clavos

Diámetro del tallo mínima..... 0,113 pulg.  
Diámetro del tallo máximo..... 0,131 pulg.  
Gama de sujetadores ..... 2 pulg. a 3 1/2 pulg.

# ARMADO

### **ADVERTENCIA:**

No use este producto si no está totalmente ensamblado o si alguna pieza falta o está dañada. El uso de un producto que no está adecuadamente y completamente ensamblado o posee partes dañadas o faltantes puede resultar en lesiones personales graves.

### **ADVERTENCIA:**

No intente modificar este producto ni crear aditamentos o accesorios que no estén recomendados para usar con este producto. Dichas alteraciones o modificaciones constituyen un uso indebido y podrían provocar una situación de riesgo que cause posibles lesiones personales graves.

Si hay piezas dañadas o faltantes, le suplicamos llamar al 1-800-525-2579, donde le brindaremos asistencia.

# FUNCIONAMIENTO

## **ADVERTENCIA:**

No permita que su familiarización con los productos lo vuelva descuidado. Tenga presente que un descuido de un instante es suficiente para causar una lesión grave.

## **ADVERTENCIA:**

Retire siempre la batería y los clavos de la herramienta antes de abandonar el área de trabajo, mover la herramienta a otro lugar, entregar la herramienta a otra persona, ensamblar piezas, limpiar o cuando la herramienta no esté en uso. Retire siempre la batería cuando realice ajustes. La inobservancia de esta advertencia puede causar lesiones personales de gravedad.

## **ADVERTENCIA:**

Siempre póngase protección ocular con protección lateral con la marca de cumplimiento de la norma ANSI Z87.1. La inobservancia de esta advertencia puede permitir que los objetos lanzados hacia los ojos puedan provocar lesiones graves.

## **AVISO:**

Si la herramienta se expone a temperaturas inferiores a 0 °C (32 °F) durante períodos prolongados, es posible que no funcione. Deje que la herramienta se caliente antes de usarla. Si utiliza la herramienta en temperaturas excesivamente altas (más de 40 °C [104 °F]) durante períodos prolongados, es posible que la unidad no funcione correctamente o se apague. Deje que la herramienta se enfríe antes de reanudar el uso normal.

## **USOS**

Esta herramienta puede emplearse para los fines enumerados abajo:

- Entramado
- Entarimado de pisos
- Terrazas exteriores de madera
- Madera producida tecnológicamente
- Subensambles de bloqueo
- Armado de puentes
- Armado de cajas y embalajes de madera
- Armaduras
- Armado y reparación de paletas de carga
- Contrapisos

## **ADVERTENCIA:**

Siempre póngase protección ocular. La protección ocular no les queda a todos los operadores de la misma forma. Asegúrese de que la protección ocular escogida disponga de protectores laterales u ofrezca protección contra desechos disparados provenientes tanto del frente como de los lados.

## **CONECTAR EL CLIP DEL CINTURÓN**

*Vea la figura 1, página 13.*

El clip del cinturón se puede colocar del lado de la clavadora.

- Alinee el clip del cinturón y el tornillo con el orificio para el tornillo del lado.
- Utilice un destornillador de cabeza Phillips (no se incluye) para ajustar firmemente.

## **INSTALAR/DESMONTAJE DEL PAQUETE DE BATERÍAS**

*Vea la figura 2, página 13.*

**NOTA:** Se recomienda usar una batería de 3 Ah o más para obtener el mejor rendimiento.

- **Para instalar**, coloque el paquete de baterías en la herramienta. Alinee la costilla realzada del paquete de baterías con la ranura situada en el interior de la herramienta.

**NOTA:** Durante la instalación de la batería, el pie de la batería se moverá; es un diseño intencional.

- Asegúrese de que los pestillos situados en ambos lados del paquete de baterías entren completamente en su lugar con un chasquido, y de que el paquete quede bien fijo en la herramienta antes de empezar a utilizar éste.

**NOTA:** Apriete el gatillo del interruptor para reactivar la clavadora.

- **Para extraer**, oprima los pestillos situados en ambos lados del paquete de baterías para soltar éste de la herramienta.

Para obtener instrucciones específicas de carga, lea el manual del operador que se incluye con el cargador y la batería.

## **ALMOHADILLA PROTECTORA**

*Vea la figura 3, página 13.*

La almohadilla protectora montada en la punta de la herramienta evita dañar y marcar las maderas suaves con la herramienta.

## **ADVERTENCIA:**

Retire siempre el paquete de baterías de la herramienta antes de desmontar o volver a montar la almohadilla protectora. La inobservancia de esta advertencia puede causar lesiones serias.

La almohadilla puede retirarse tirando de ella hacia abajo, separándola de la punta de la herramienta. Para volver a montar la almohadilla, acomódela en su lugar en la punta de la herramienta y empújela hacia arriba por la parte de atrás para asentarla.

# FUNCIONAMIENTO

## CARGA DE LAS PUNTILLAS EN LA HERRAMIENTA

Veja las figuras 4 y 5, página 13.

- Retire el paquete de baterías de la herramienta.
- Teniendo la punta de la herramienta apuntando en la dirección opuesta a donde se encuentra usted, introduzca una tira de clavos en el alimentador. Asegúrese de que los clavos estén apuntando hacia abajo, y en el ángulo mostrado.

### ADVERTENCIA:

Mantenga la herramienta apuntando en la dirección opuesta a donde se encuentra usted y otras personas mientras carga los clavos. La inobservancia de esta advertencia puede causar lesiones serias.

- Desplace el empujador completamente hasta la parte posterior del alimentador. Suelte el empujador y permita que empuje los clavos hasta el mecanismo de impulsión. El empujador se detiene al llegar al extremo de la tira de clavos.

**NOTA:** No permita que el empujador se regrese a su lugar.

### ADVERTENCIA:

Solamente utilice los clavos recomendados para esta herramienta. Si se utilizan otros clavos puede producirse un malfuncionamiento de la herramienta y posibles lesiones serias.

### ADVERTENCIA:

Nunca cargue los clavos teniendo activado el disparador de contacto o el gatillo. La inobservancia de esta advertencia puede causar lesiones serias.

### ADVERTENCIA:

No utilice clavos de un vástago menor de 2,87 mm (0.113 pulg.) de diámetro. Si lo hace, es posible que los clavos salgan de la herramienta antes de tiempo por el riel de la guía. No utilice clavos endurecidos con herramientas neumáticas. Esto puede llevar a un desgaste excesivo de la guía y provocar que los clavos sean despedidos por la parte posterior de ésta, lo que puede causar lesiones graves.

## AJUSTE DE LA PROFUNDIDAD DE PENETRACIÓN

Veja la figura 6, página 14.

Puede ajustarse la profundidad de introducción del clavo. Se recomienda probar la profundidad de introducción en un pedazo de desecho para determinar la profundidad requerida en cada caso en particular.

Para lograr la profundidad deseada, use el ajuste de profundidad de introducción de la herramienta.

- Desconecte la herramienta del suministro de aire y retire los clavos de la herramienta.
- Para cambiar la profundidad de introducción, gire a la izquierda o derecha el selector de profundidad.
- Retire el paquete de baterías y a cargar la herramienta con clavos.
- Después de cada ajuste introduzca un clavo de prueba hasta lograr la profundidad deseada.

**NOTA:** Fije la profundidad de penetración en el valor más bajo que le permita cumplir con sus objetivos.

## CÓMO CLAVAR CLAVOS EN ÁNGULO

Veja la figura 7, página 14.

Cuando clava clavos en ángulo, asegúrese de que la herramienta esté apuntando en dirección opuesta a donde se encuentran usted y otras personas.

Cuando clava clavos en ángulo, asegúrese de que la herramienta esté colocada correctamente. Clavar clavos a un ángulo excesivamente pronunciado puede:

- hacer que el clavo no se introduzca en la pieza de trabajo;
- hacer que el clavo rebote;
- hacer que la pieza de trabajo se agriete o astille, provocando que el clavo rebote hacia el operador.

### ADVERTENCIA:

Nunca clave un clavo en ángulo inclinando la herramienta hacia adelante. Esto podría hacer que el clavo no se introduzca en la superficie de trabajo o rebote de la superficie de trabajo, causando lesiones serias.

### ADVERTENCIA:

Retire el paquete de baterías de la herramienta antes de retirar los clavos o de desatorar uno atorado. La inobservancia de esta advertencia puede causar lesiones serias.

## USO DEL INTERRUPTOR SELECTOR DE MODO

Veja las figuras 8 y 9, página 14.

### ADVERTENCIA:

Nunca detenga con una cuña ni de ninguna otra forma el mecanismo del disparador de contacto al utilizar la herramienta. La inobservancia de esta advertencia puede causar lesiones serias.

Esta herramienta se envía de fábrica con la configuración del interruptor selector de modo en modo Accionamiento secuencial sencillo. El interruptor selector de modo puede ponerse también en modo de Accionamiento por contacto.

# FUNCIONAMIENTO

## MODO DE ACCIONAMIENTO SECUENCIAL SENCILLO

El accionamiento secuencial sencillo permite lograr la colocación más exacta del sujetador.

- Retire el paquete de baterías de la herramienta.
- Deslice el selector a la posición (T).

### ADVERTENCIA:

La clavadora no funcionará correctamente si el selector no está asentado firmemente en la posición (T) o en la posición (TTT). Asegúrese siempre de que el selector esté bien asentado para evitar aplicaciones inesperadas de clavos y posibles lesiones personales de gravedad.

- Réinstalar el paquete de batería y reactive la herramienta presionando el interruptor del mango con luz de trabajo.
- Sujete firmemente la herramienta para mantener el control. Coloque la punta de la herramienta en la superficie de trabajo.
- Oprima la herramienta contra la superficie de trabajo para oprimir el disparador de contacto.
- Para introducir un sujetador, oprima el gatillo.

**NOTA:** Sostenga el gatillo hasta que se haya completado un ciclo de conducción. Si al presionar el gatillo no se clava un sujetador, suelte el gatillo, levante la herramienta y aléjela de la pieza de trabajo; luego vuelva a colocarla e intente volver a clavar el sujetador.

- Retire siempre el dedo del gatillo cuando se haya aplicado la cantidad de clavos deseada.

## MODO DE ACCIONAMIENTO POR CONTACTO

El accionamiento por contacto permite la colocación repetitiva de sujetadores a velocidad muy rápida.

- Retire el paquete de baterías de la herramienta.
- Deslice el selector a la posición (TTT).
- Réinstalar el paquete de batería y reactive la herramienta presionando el interruptor del mango con luz de trabajo.
- Sujete firmemente la herramienta para mantener el control.
- Oprima el gatillo y no lo suelte. Oprima la herramienta contra la superficie de trabajo para oprimir el disparador de contacto e introducir un sujetador. Para clavar otro clavo, levante la herramienta y presione el contacto contra la superficie de trabajo nuevamente.

**NOTA:** Sostenga el gatillo y mantenga presionado el contacto con la pieza de trabajo hasta que se haya completado un ciclo de conducción.

- Retire siempre el dedo del gatillo cuando se haya aplicado la cantidad de clavos deseada.

**NOTA:** En el modo de accionamiento por contacto, la herramienta puede accionarse también presionando el disparador de contacto contra la superficie y oprimiendo el gatillo.

### ADVERTENCIA:

Durante el uso normal de la herramienta, ésta se retrae de inmediato después de introducir un sujetador. Así es el funcionamiento normal de la herramienta. No intente impedir la retracción presionando la clavadora contra la pieza de trabajo. Toda restricción impuesta a la retracción puede producir la impulsión de un segundo sujetador en la clavadora. La inobservancia de esta advertencia puede causar lesiones corporales serias.

## SEGURO DE DISPARO EN SECO

Cuando el magazín tiene 0-5 clavos restantes, el seguro de disparo en seco no permite continuar utilizando la herramienta. Para volver a utilizar la herramienta, vuelva a cargarla con clavos.

## CÓMO RETIRAR LOS CLAVOS DE LA HERRAMIENTA

Vea la figura 10 y 11, página 14.

### ADVERTENCIA:

Retire de la herramienta el paquete de baterías antes de retirar los clavos. La inobservancia de esta advertencia puede causar lesiones serias.

- Retire el paquete de baterías de la herramienta.
- Para quitar una tira de clavos de la herramienta, presione el botón de liberación en el empujador y guíelo hacia la parte superior del cargador. Cuando suelte, los clavos saldrán.  
**NOTA:** Siempre mantenga los dedos fuera del carril de clavos del alimentador para evitar lesiones en caso de soltar accidentalmente el empujador.
- Oprima la orejeta del tope de clavos situado cerca del extremo del alimentador y deslice los clavos por la misma.
- Retire de la herramienta la tira de clavos.

## CÓMO RETIRAR UN SUJETADOR ATORADO

Vea las figuras 12 à 15, página 15.

### ADVERTENCIA:

Retire de la herramienta el paquete de baterías antes de retirar los clavos. La inobservancia de esta advertencia puede causar lesiones serias.

Si se produce un atasco, la herramienta entrará automáticamente en modo de atasco y reiniciará la hoja de impulsión. El LED de la herramienta, ubicado debajo del interruptor de modo, parpadeará en rojo. Retire la batería. Verifique para asegurarse de que la guía del impulsor y el cartucho no tengan un sujetador atascado. En caso de un atasco grave, es posible que deba retirar el cargador para quitar el sujetador atascado antes de volver a insertar la batería. La batería debe retirarse e instalarse para restablecerla al modo de funcionamiento normal.

- Retire el paquete de baterías de la herramienta.



# FUNCIONAMIENTO

- Retire de la herramienta todos los sujetadores.
- Con la llave hexagonal incluida, afloje, pero no quite, los dos tornillos de cabeza hueca de la parte delantera del cargador que lo montan en la herramienta.
- Con la misma llave hexagonal, afloje el tornillo de cabeza hueca de montaje trasero dos o tres vueltas, pero no lo quite.
- Deslice el cargador hacia la parte trasera de la herramienta. Esto debería exponer el sujetador atascado y permitir

una limpieza sencilla. Si es necesario, se puede quitar el cargador.

- Retire el clavo doblado, usando un alicate de mordaza de aguja si es necesario.

**NOTA:** Si el atasco es demasiado severo y no puede quitar el sujetador atascado con alicates de punta fina, es posible que deba llevar la herramienta a reparar a un centro de servicio autorizado.

- Invierta los pasos para volver a colocar el cargador.

# MANTENIMIENTO

## ADVERTENCIA:

Al dar servicio a la unidad, sólo utilice piezas de repuesto idénticas. El empleo de piezas diferentes podría causar un peligro o dañar el producto.

## MANTENIMIENTO GENERAL

Evite el empleo de solventes al limpiar piezas de plástico. La mayoría de los plásticos son susceptibles a diferentes tipos de solventes comerciales y pueden resultar dañados. Utilice paños limpios para eliminar la suciedad, el polvo, el aceite, la grasa, etc.

## LISTA DE CONTROL DIARIA OBLIGATORIA

- Quite el paquete de baterías de la herramienta y retire todos los sujetadores.
- Verifique todos los tornillos, tuercas, pernos y vástagos de la herramienta. Si hay alguno suelto, debe ser ajustado con una llave del tamaño adecuado.
- Presione el elemento de contacto con la pieza de trabajo contra ella para asegurarse de que se mueva suavemente.
- Con el elemento de contacto con la pieza de trabajo presionado, oprima el gatillo. El gatillo debe moverse suavemente, sin atascarse.
- Seleccione el modo de accionamiento secuencial sencillo (**T**).
- Mientras la herramienta no esté cargada, conecte el suministro de aire adecuado (70 psi) a la herramienta.
- Comience a inspeccionar:
  - Presione el interruptor de la empuñadura para activar la clavadora.
  - Sin oprimir el gatillo, desenganche el seguro de disparo en seco (si corresponde) y presione varias veces el elemento de contacto con la pieza de trabajo contra ella. La herramienta no debe funcionar.
  - Con el elemento de contacto con la pieza de trabajo sin contacto con ella, apunte la herramienta hacia abajo y hacia afuera y oprima el gatillo varias veces. Sostenga el gatillo en esta posición durante, al menos, 5 segundos. La herramienta no debe funcionar.
  - Cargue los sujetadores, luego presione el elemento de contacto con la pieza de trabajo firmemente contra ella y oprima el gatillo. La herramienta debe funcionar.

- Con el elemento de contacto con la pieza de trabajo todavía presionado, suelte el gatillo. El impulsor debe volver a la posición superior.

- Quite el paquete de baterías de la herramienta y retire todos los sujetadores.

- Seleccione el modo de accionamiento por contacto (**TTT**).

- instale el paquete de baterías.

- Comience a inspeccionar:

- Con el elemento de contacto con la pieza de trabajo sin contacto con ella, apunte la herramienta hacia abajo y hacia afuera. Desenganche el seguro de disparo en seco (si corresponde) y oprima el gatillo. La herramienta no debe funcionar.

- Cargue los sujetadores, luego oprima el gatillo totalmente oprimido, presione el elemento de contacto con la pieza de trabajo contra una pieza de trabajo. La herramienta debe funcionar.

- Quite el paquete de baterías de la herramienta y retire todos los sujetadores.

- Si la herramienta cumple con todos los requisitos de esta lista, está preparada para usar. Coloque el gatillo sobre la herramienta para manejarla de la forma más adecuada, según la aplicación.

- Ajuste la profundidad de introducción según la sección **Ajuste de la profundidad de penetración** de este manual.

- Conecte la herramienta al suministro de aire y cargue los sujetadores adecuados para la aplicación deseada. Recorra esta lista de verificación antes de usar la herramienta cada día, o si se cayó o se dañó de alguna manera.

## CÓMO LLENAR EL TANQUE DE PRESIÓN DE AIRE

Ve la figura 15, page 15.

Después del uso inicial, podría notar una disminución en el rendimiento. Si llena el tanque de presión de aire a 125 PSI, puede ayudar a restablecer el rendimiento de la unidad.

- Retire la batería y todos los clavos de la herramienta.
- Retire la cubierta de plástico de la parte inferior de la herramienta con la llave hexagonal incluida.
- Gire ligeramente y retire la tapa de plástico de la válvula de llenado de aire.

# MANTENIMIENTO

- Conecte un compresor de aire a la válvula y presurice el tanque a un máximo de 125 PSI. Deje que la herramienta se recargue durante aproximadamente 30 segundos.

**NOTA:** Es normal escuchar un silbido mientras se llena el tanque. No lo llene en exceso. Compruebe siempre la presión antes de usar la herramienta. Si llena el tanque en exceso, se abrirá una válvula de desbordamiento de seguridad para permitir que escape la presión excesiva. Una vez que la presión haya disminuido, la válvula se cerrará automáticamente.



## ADVERTENCIA:

Nunca presurice el tanque a más de 125 PSI. La inobservancia de esta advertencia puede causar lesiones corporales serias.

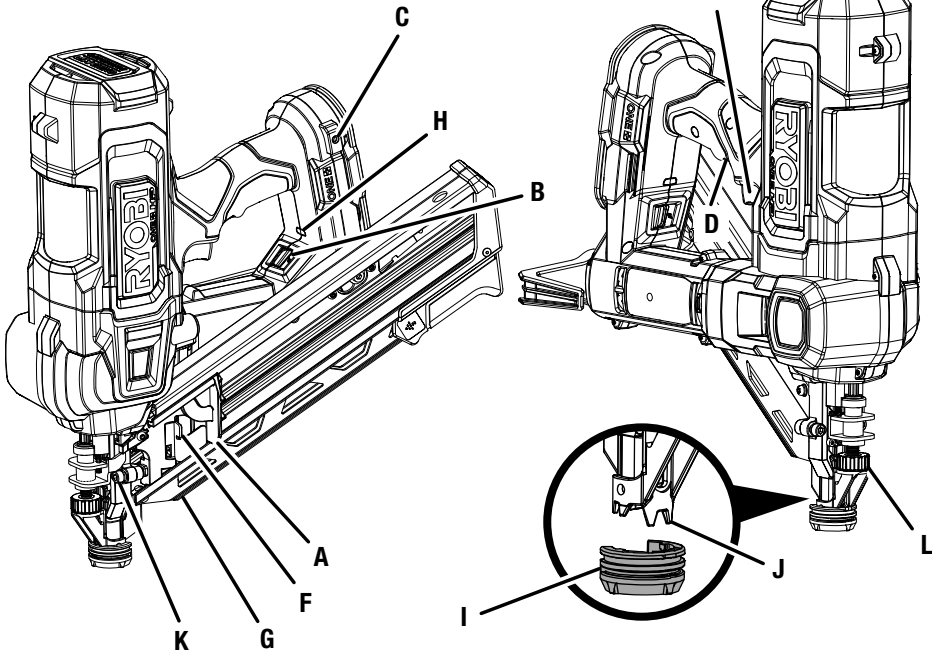
- Desconecte el compresor de aire y vuelva a colocar la tapa de plástico.
- Reemplazar la cubierta de plástico de la parte inferior de la herramienta con la llave hexagonal incluida.

# CORRECCIÓN DE PROBLEMA

PROBLEMA	CAUSA POSIBLE	SOLUCIÓN
El disparador de contacto con la pieza de trabajo no baja por completo; la herramienta no funciona	Pocos clavos El elemento que entra en contacto con la pieza de trabajo está atascado	Retire la batería y vuelva a cargar clavos Retire la batería y limpie los atoramientos
La herramienta funciona correctamente pero los sujetadores no se aplican bien	La presión de aire es demasiado baja La profundidad de penetración no es suficiente El clavo es demasiado largo para la dureza de la madera Las juntas de pistón están desgastadas o dañadas El emparejamiento de la batería no es adecuado	Cómo llenar el tanque de presión de aire Ajuste la profundidad de penetración Utilice clavos que tengan una longitud apropiada para la madera Reemplace uno o ambos pistones (se requiere un kit de reparación) Utilice una batería de 3 Ah o superior
La herramienta funciona correctamente pero los sujetadores penetran demasiado en la superficie de trabajo	La profundidad de penetración es excesiva	Ajuste la profundidad de penetración
La herramienta sufre atoramientos con frecuencia	Sujetadores inadecuados Sujetadores dañados Está flojo el cargador Cargador sucio	Verifique que sean del tamaño correcto los sujetadores Cambie los sujetadores Apriete los tornillos Limpie el cargador

## FUNCIONES DE LAS LUCES LED

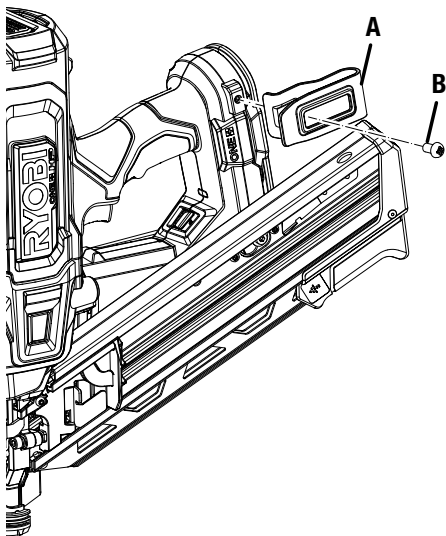
ESTADO DE LA HERRAMIENTA	ESCENARIO DE LUZ LED	ACCIÓN REQUERIDA
Normal	Luz verde sólida (sin destellos)	No se requiere ninguna acción
Batería baja	Luz roja sólida (sin destellos)	Reemplace o recargue la batería. Si el problema persiste, comuníquese con un centro de servicio autorizado para su reparación.
Modo de atasco	Luz roja intermitente	Retire el atasco: consulte <b>Cómo retirar un sujetador</b> atorado en <i>Operaciones</i> .



- A - Pusher (poussoir, empujador)
- B - Mode selector (sélecteur de mode, selector de modo)
- C - Belt clip screw mount (montage de vis de clip de ceinture, montaje del tornillo de clip para el cinto)
- D - Grip switch (commutateur de prise, interruptor de empuñadura)
- E - Trigger switch (gâchette, interruptor de gatillo)
- F - Magazine release button (bouton de dégagement du magasin, botón para soltar)

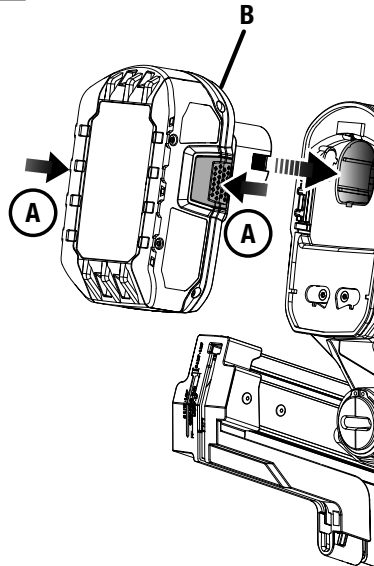
- G - Bottom-loading magazine (magasin à chargement lateral, cargador de carga lateral)
- H - LED (DEL, LED)
- I - No-mar pad (bout de protection, almohadilla protectora)
- J - Workpiece contact (contact de déclenchement, disparador de contacto)
- K - Jam release (déblocage, soltador)
- L - Depth of drive adjustment (réglage de profondeur d'enfoncement, ajuste de la profundidad de introducción)

Fig. 1



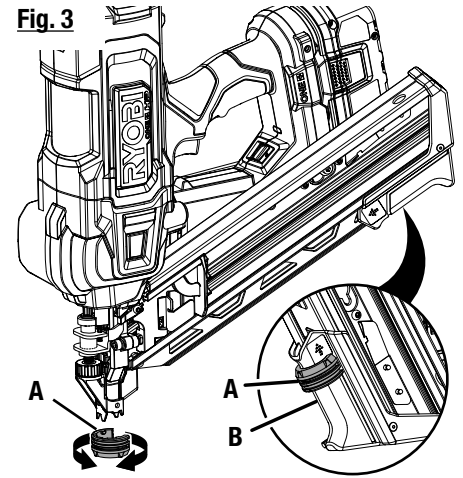
- A - Belt clip (agrafe pour courroie, Gancho para cinturón)
- B - Screw (vis, tornillo)

Fig. 2



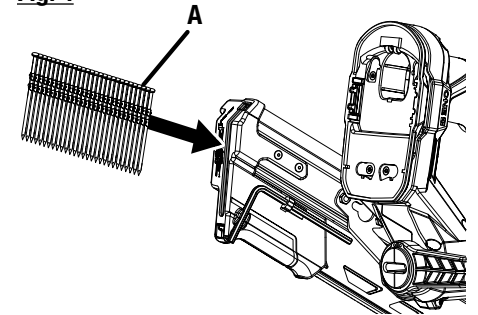
- A - Depress latches (appuyer sur les loquet(s), para soltar el paquete de pilas oprima los pestillos)
- B - Battery pack (bloc-piles, baterías)

Fig. 3



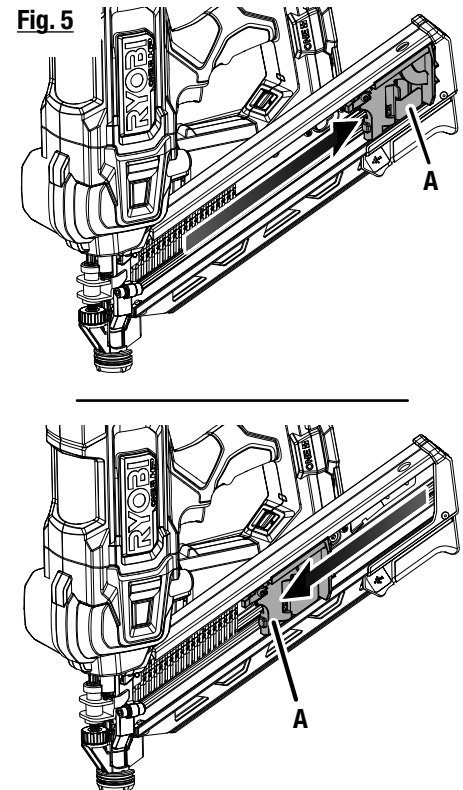
- A - No-mar pad (bout de protection, almohadilla protectora)
- B - No-mar pad storage (rangement du coussinet de protection, lugar para guardar la almohadilla protectora)

Fig. 4



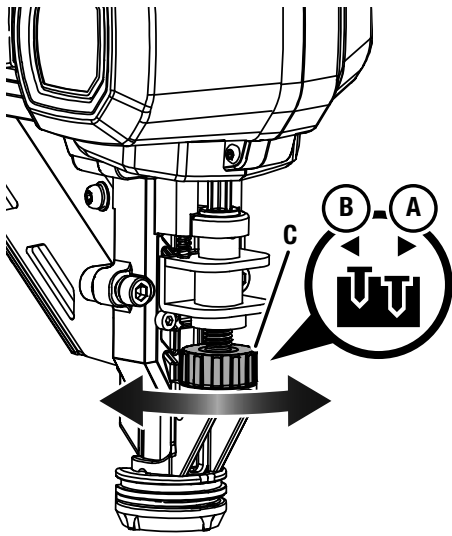
- A - Nail strip (bande de clous, tira declavos)

Fig. 5



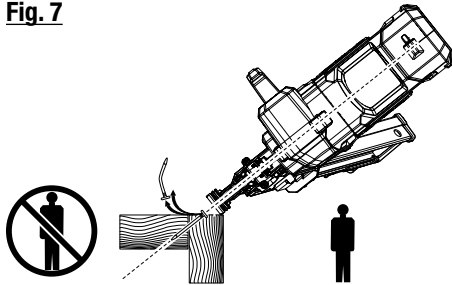
- A - Pusher (poussoir, empujador)

**Fig. 6**



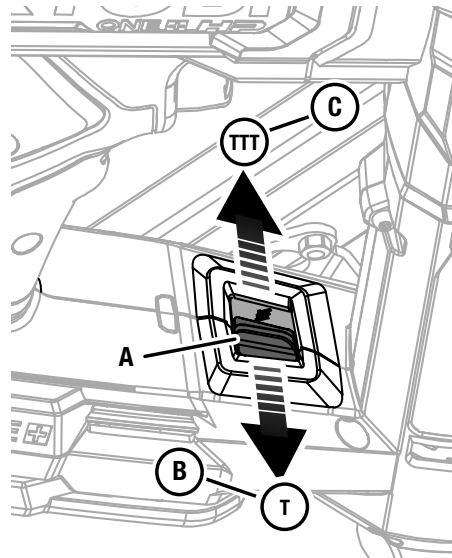
- A - To increase depth (pour augmenter la profondeur, para aumentar la profundidad)
- B - To decrease depth (pour réduire la profondeur, para disminuir la profundidad)
- C - Drive depth adjustment (réglage de profondeur d'enfoncement, ajuste de la profundidad de introducción)

**Fig. 7**



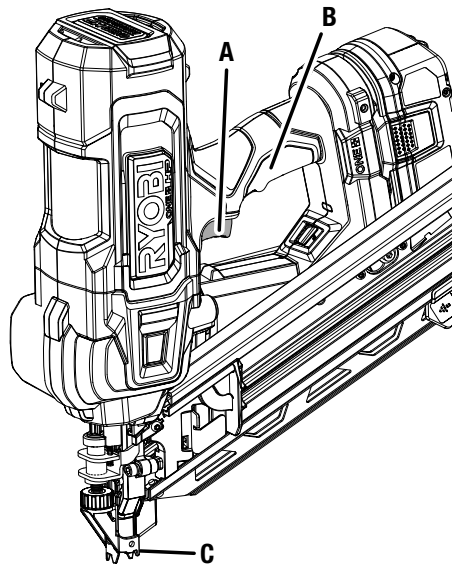
**DO NOT DRIVE NAILS IN THIS DIRECTION  
NE PAS ENFONCER DES CLOUS  
DANS CETTE DIRECTION  
NO CLAVE CLAVOS EN ESTA DIRECCIÓN**

**Fig. 8**



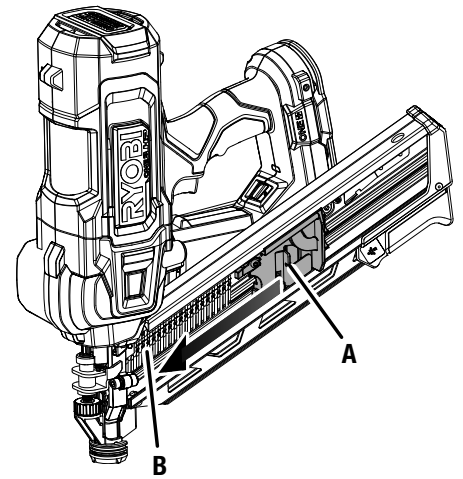
- A - Mode selector switch (commutateur du sélecteur de mode, interruptor selector de modo)
- B - Single sequential actuation (T) (déclenchement par séquence unique [T], accionamiento secuencial sencillo [T])
- C - Contact actuation (TTT) (déclenchement par contact [TTT], accionamiento por contacto [TTT])

**Fig. 9**



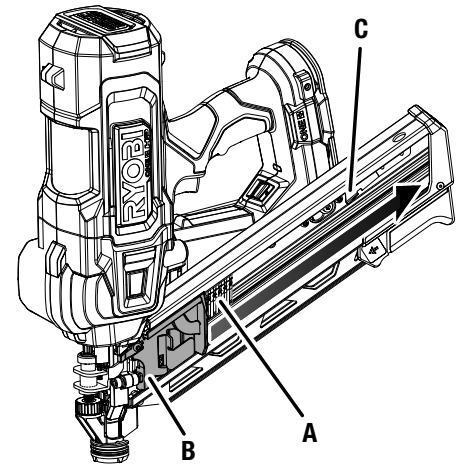
- A - Trigger (gâchette, gatillo)
- B - Grip switch (commutateur de prise, interruptor de empuñadura)
- C - Workpiece contact (contact de déclenchement, disparador de contacto)

**Fig. 10**



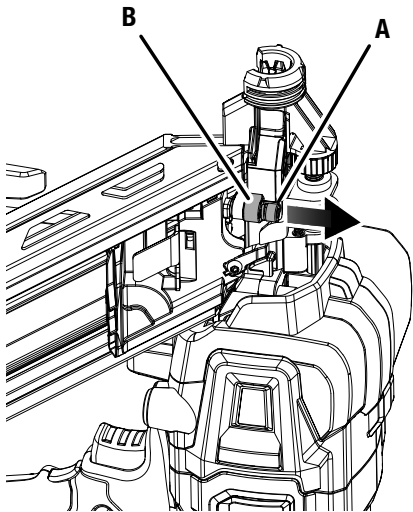
- A - Magazine release button (bouton de dégagement du magasin, botón para soltar)
- B - Framing nails (clous à charpente, clavos de entramado)

**Fig. 11**



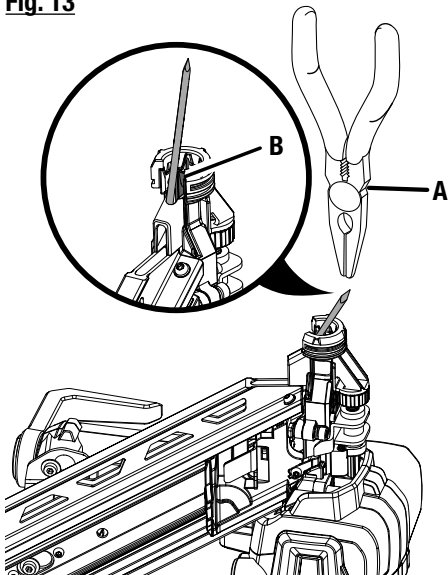
- A - Framing nails (clous à charpente, clavos de entramado)
- B - Pusher (poussoir, empujador)
- C - Nail stop tab (languette de buté de clous, orejeta del tope de clavos)

**Fig. 12**



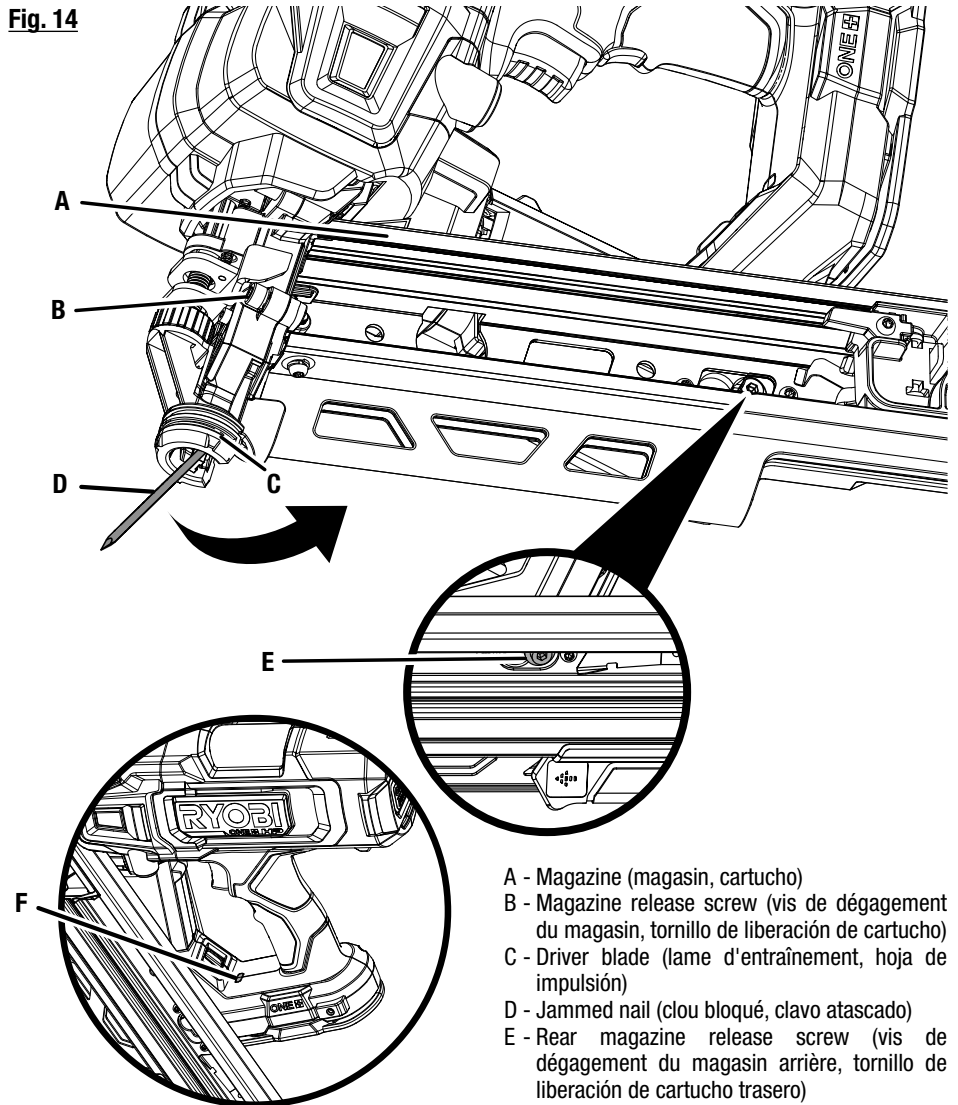
- A - Magazine release mount (support de dégagement du magasin, montaje de liberación de cartucho)  
B - Jam-clearing mechanism (mécanisme de déblocage, mecanismo de liberación de atascos)

**Fig. 13**



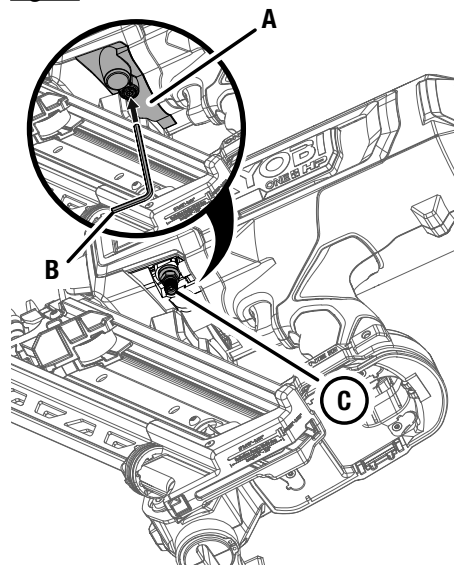
- A - Needle nose pliers (pinces à bec effilé, alicates de mordaza de aguja)  
B - Driver blade (lame d'entraînement, hoja de impulsión)

**Fig. 14**



- A - Magazine (magasin, cartucho)  
B - Magazine release screw (vis de dégagement du magasin, tornillo de liberación de cartucho)  
C - Driver blade (lame d'entraînement, hoja de impulsión)  
D - Jammed nail (clou bloqué, clavo atascado)  
E - Rear magazine release screw (vis de dégagement du magasin arrière, tornillo de liberación de cartucho trasero)  
F - LED (DEL, LED)

**Fig. 15**



- A - Plastic cover (couvercle de plastique, cubierta plástica)  
B - Hex key (clé hexagonale, llave hexagonal)  
C - Air fill valve (soupape de remplissage d'air, válvula de llenado de aire)







# ONE+ 18V 30° FRAMING NAILER

## CLOUEUSE À MOULURES À 30 DEGRÉS DE 18 V DE ONE+

## CLAVADORA DE MARCOS DE 30 GRADOS DE ONE+ 18 V

### PBL350

To request service, purchase replacement parts,  
locate an Authorized Service Center or obtain Customer or Technical Support:  
Visit [www.ryobitools.com](http://www.ryobitools.com) or call **1-800-525-2579**

If any parts or accessories are damaged or missing, do not return this product to the store.  
Call **1-800-525-2579** for immediate service.

Please obtain your model and serial number from the product data plate.  
**This product is covered under a 3-year limited Warranty. Proof of purchase is required.**

MODEL NUMBER\* \_\_\_\_\_ SERIAL NUMBER \_\_\_\_\_

*\*Model number on product may have additional letters at the end. These letters designate manufacturing information and should be provided when calling for service.*

RYOBI is a trademark of Ryobi Limited and is used pursuant to a license granted by Ryobi Limited.

Pour faire une demande de réparations ou obtenir des pièces de rechange, trouver un  
Centre de réparations agréé pour obtenir un soutien technique ou le Service à la clientèle :  
Visiter [www.ryobitools.com](http://www.ryobitools.com) ou en téléphonant au **1-800-525-2579**

Si des pièces ou accessoires sont manquantes ou endommagées, ne pas retourner  
ce produit au magasin. Appeler immédiatement au **1-800-525-2579** pour obtenir de l'aide.

Inscrire les numéros de modèle et de série inscrits sur la plaque d'identification du produit.  
**Ce produit est couvert par une garantie limitée de trois (3) ans. Une preuve d'achat est exigée.**

NUMÉRO DE MODÈLE\* \_\_\_\_\_ NUMÉRO DE SÉRIE \_\_\_\_\_

*\*Le numéro de modèle sur le produit peut contenir des lettres supplémentaires à la fin. Ces lettres désignent les informations du fabricant et doivent être fournies lors d'un appel de demande de service.*

RYOBI est une marque de Ryobi Limited et est utilisée en vertu d'une licence accordée par Ryobi Limited.

Para obtener servicio, comprar piezas de repuesto, localizar un centro  
de servicio autorizado y obtener Servicio o Asistencia Técnica al Consumidor:  
Visite [www.ryobitools.com](http://www.ryobitools.com) o llame al **1-800-525-2579**

Si hay alguna pieza ou accesorios dañada o faltante, no devuelva este producto a la tienda.  
Llame al **1-800-525-2579** para servicio técnico inmediato.

Obtenga su modelo y número de serie de la placa de datos del producto.  
**Este producto está cubierto con una garantía limitada de 3 años. Se solicita prueba de la compra.**

NÚMERO DE MODELO\* \_\_\_\_\_ NÚMERO DE SERIE \_\_\_\_\_

*\*El número de modelo que figura en el producto podría tener letras adicionales al final. Estas designan información de fabricación y deben suministrarse cuando llame para obtener asistencia o servicio.*

RYOBI es una marca de Ryobi Limited y se utiliza conforme a una licencia otorgada por Ryobi Limited.

### TTI CONSUMER POWER TOOLS, INC.

P.O. Box 1288, Anderson, SC 29622 • Phone 1-800-525-2579  
États-Unis, Téléphone 1-800-525-2579 • USA, Teléfono 1-800-525-2579

[www.ryobitools.com](http://www.ryobitools.com)