



MEDIUM TOOLBOX

P900

The Ryobi toolbox is a great way to keep your hand tools organized, accessible, neatly stored, and ready to transport. Its large storage capacity accommodates a wide variety of tools and accessories.

Adjustable dividers inside the toolbox allow you to customize the storage compartments to fit your specific requirements. Dividers can be raised and fastened into place whenever needed, then unfastened and lowered when a larger storage area is desired.

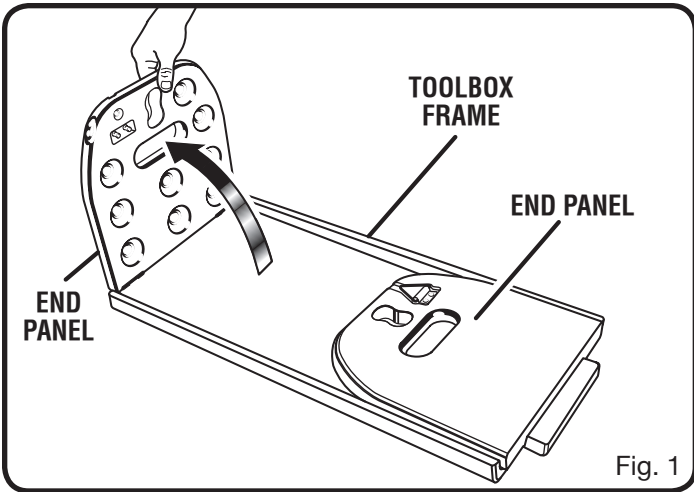
A zippered cover helps protect your tools from dust, debris, and moisture. When not needed, the cover can be rolled backward and stored in the pocket located on the back side of the toolbox.

Before using the toolbox for the first time, some minor assembly is required.

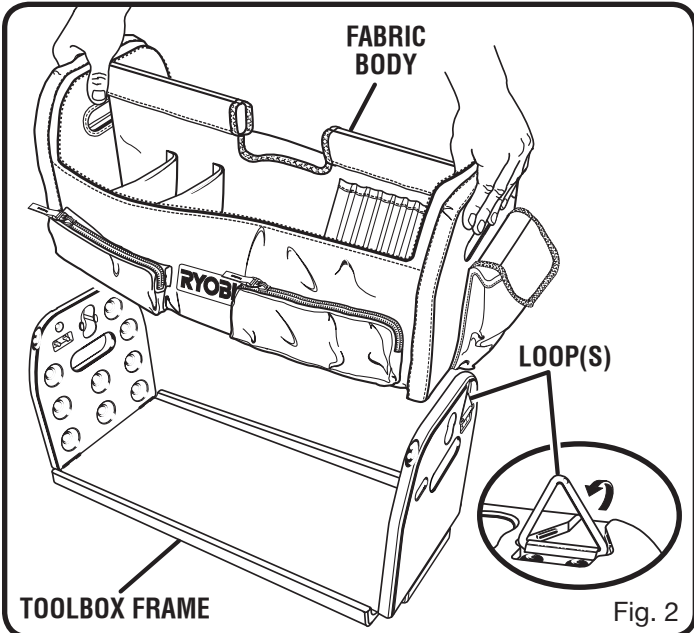
ASSEMBLING THE TOOLBOX:

See Figures 1 - 8.

- Raise the toolbox frame's end panels until they are standing upright.

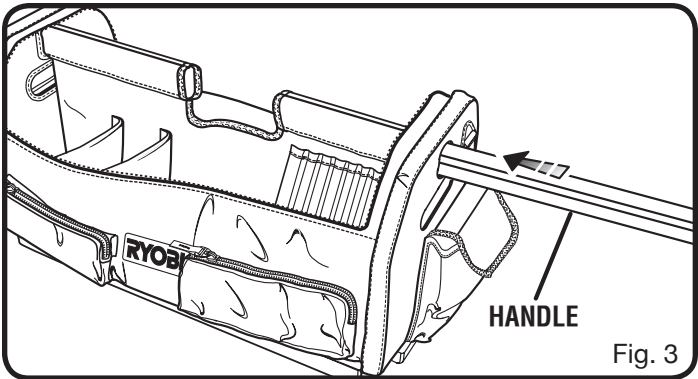


- Lower the fabric body over the toolbox frame.

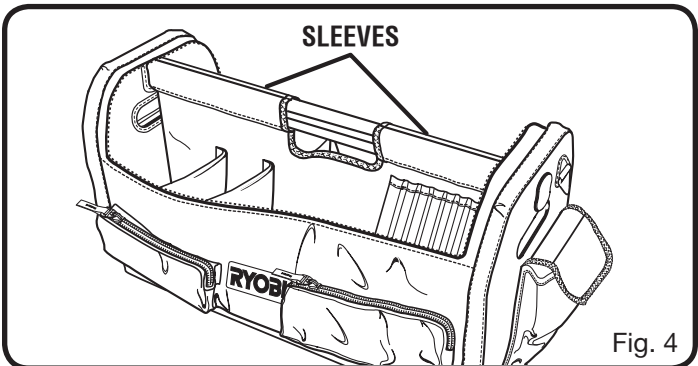


- Pull the shoulder strap loops through the openings in the fabric body.

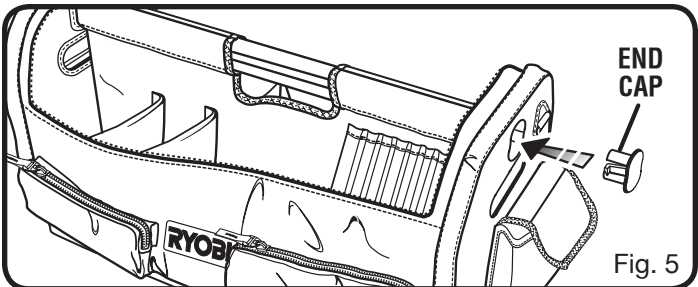
- Insert the toolbox handle through the vertical opening located on the end panel of the toolbox frame.



- Thread handle through the sleeves in the center divider section and seat in the vertical opening on the opposite side of the frame.



- Secure the handle to the toolbox frame using the end caps provided. While holding the handle firmly, seat end cap on handle end and apply pressure until it snaps into place. Repeat with other end cap.



- Attach the shoulder strap clips to the loops located on both ends of the toolbox.

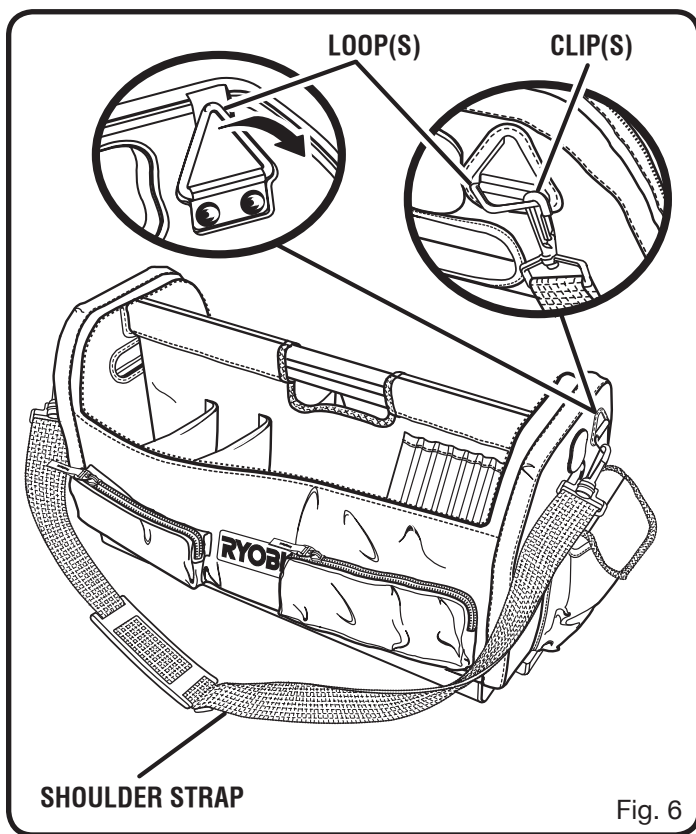


Fig. 6

- To carry the toolbox when the cover is zipped closed, simply lift the handle access flap as shown below and grasp the toolbox handle.

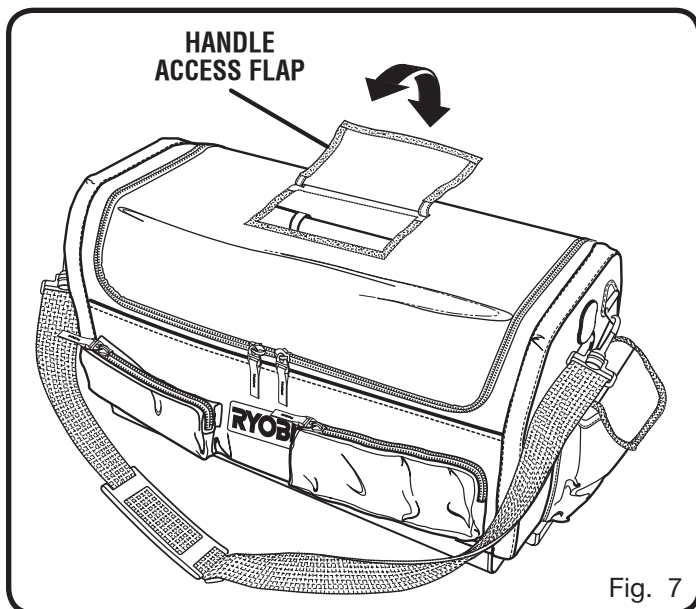


Fig. 7

- The toolbox cover is designed to be conveniently stored, while remaining accessible. To store the cover, simply unzip completely, then roll the cover backward and insert into the pocket located on the back of the toolbox as shown. The hook-and-loop fasteners located on the inside of the pocket and on the cover itself allow the cover to be secured inside the pocket.

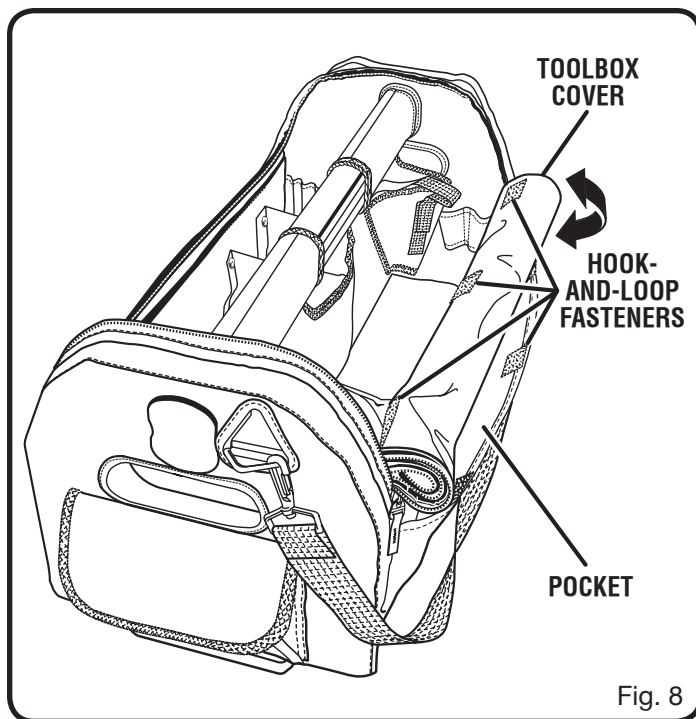


Fig. 8

WARNING:

To prevent possible serious injury, do not sit or stand on the toolbox.

WARNING

To avoid possible back or lifting injury, use proper lifting techniques and do not attempt to lift an excessive amount.

WARNING

If carrying a loose battery pack, keep it away from paper clips, coins, keys, nails, screws, or other small metal objects that can make a connection from one terminal to another. Shorting the battery terminals together may cause sparks, burns, or a fire.

ONE WORLD TECHNOLOGIES, INC.

1428 Pearman Dairy Road, Anderson, SC 29625

Phone 1-800-525-2579

www.ryobitools.com

Always mention the model number when communicating with us regarding this product.