

REPAIR SHEET

BRAND

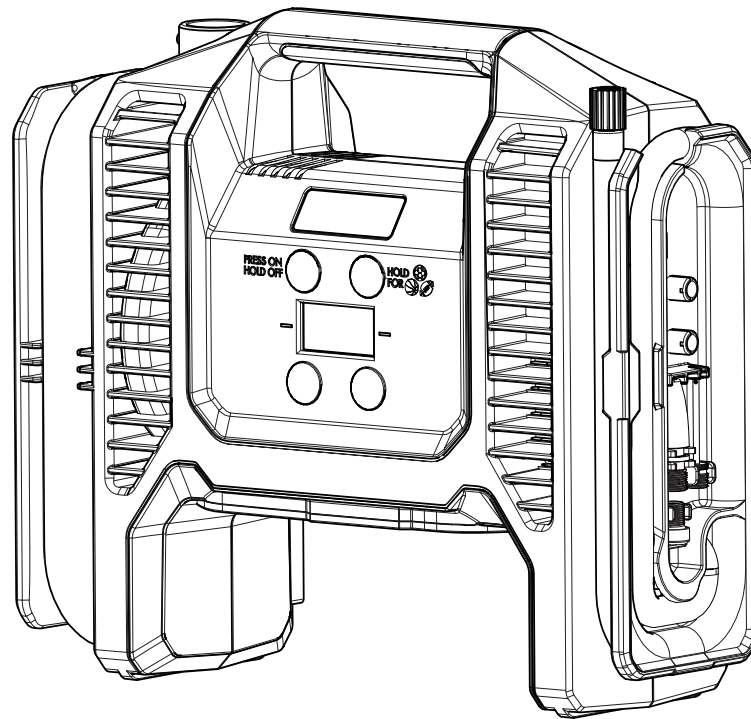
RYOBI

DESCRIPTION

MODEL NO.

P747

18 Volt Dual Function Inflator/Deflator

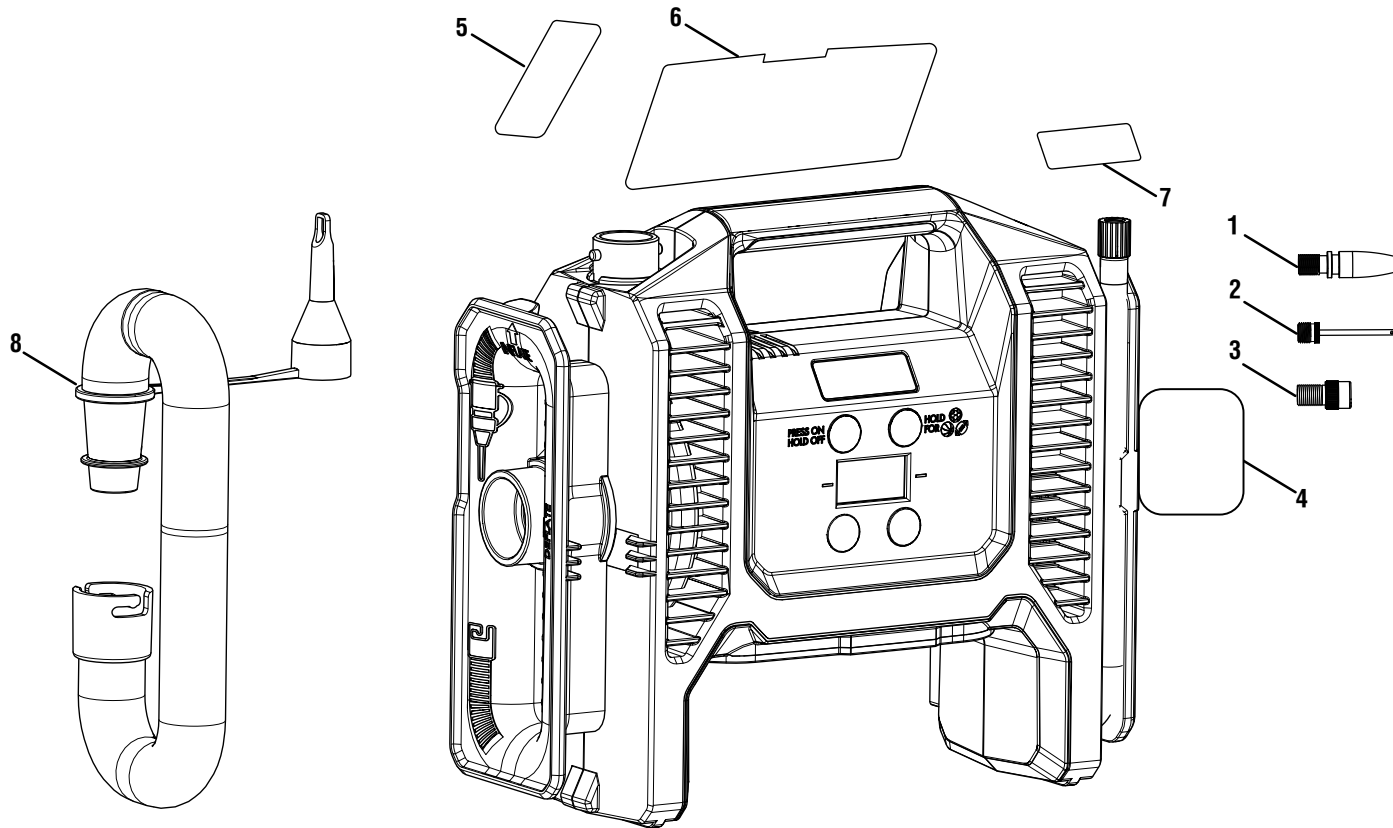


TTI CONSUMER POWER TOOLS, INC.

P.O. Box 1288, Anderson, SC 29622 ■ 1-800-525-2579 ■ www.ryobitools.com

2-21-23 (Rev:02)

The model number and manufacturing location will be found on a label attached to the product. Always mention this information in all communications regarding this product and when ordering parts.



PARTS LIST

| KEY NO. | PART NO. | DESCRIPTION | QTY. |
|---------|------------------|---------------------------------|------|
| 1 | 079042004035 | Tapered Adapter | 1 |
| 2 | CN- 079042001044 | Ball Needle | 1 |
| | VN- 079077096021 | Ball Needle | 1 |
| 3 | 079077080026 | Presta Valve Adapter | 1 |
| 4 | 079077080907 | Hose Wrap (Hot Surface Warning) | 1 |
| 5 | CN- 079077080905 | Instructions Label | 1 |
| | VN- 079077119902 | Instructions Label | 1 |

| KEY NO. | PART NO. | DESCRIPTION | QTY. |
|---------|-------------------|-------------------|------|
| 6 | CN- 079077080904 | Data Label | 1 |
| | VN- 079077119909 | Data Label | 1 |
| 7 | 079077080901 | Logo Label | 1 |
| 8 | 079077080701 | Hose Assembly | 1 |
| | Not Shown: | | |
| | 995000753 | Operator's Manual | |