



**REGISTER YOUR TOOLS**  
@ <http://register.ryobitools.com>  
1-800-525-2579

**OPERATOR'S MANUAL**  
**MANUEL D'UTILISATION**  
**MANUAL DEL OPERADOR**  
**18 VOLT BACKPACK PAINTER**  
**SYSTÈME DE PEINTURE DORSAL**  
**DE 18 V**  
**MÁQUINA PARA PINTAR TIPO MOCHILA**  
**DE 18 V**  
**P635**



**ACCEPTS ALL ONE+ BATTERY PACKS**  
**COMPATIBLE AVEC TOUS LE PILES ONE+**  
**ACEPTA TODOS LOS PAQUETES DE BATERÍAS ONE+**

Your product has been engineered and manufactured to our high standard for dependability, ease of operation, and operator safety. When properly cared for, it will give you years of rugged, trouble-free performance.

**⚠ WARNING:** To reduce the risk of injury, the user must read and understand the operator's manual before using this product.

Thank you for your purchase.

**SAVE THIS MANUAL FOR FUTURE REFERENCE**

Cette produit a été conçue et fabriquée conformément aux strictes normes de fiabilité, simplicité d'emploi et sécurité d'utilisation. Correctement entretenu, cet outil vous donnera des années de fonctionnement robuste et sans problème.

**⚠ AVERTISSEMENT :** Pour réduire les risques de blessures, l'utilisateur doit lire et veiller à bien comprendre le manuel d'utilisation avant d'employer ce produit.

Merci de votre achat.

Su producto ha sido diseñado y fabricado de conformidad con nuestras estrictas normas para brindar fiabilidad, facilidad de uso y seguridad para el operador. Con el debido cuidado, el brindará muchos años de sólido funcionamiento y sin problemas.

**⚠ ADVERTENCIA:** Para reducir el riesgo de lesiones, el usuario debe leer y comprender el manual del operador antes de usar este producto.

Le agradecemos su compra.

**CONSERVER CE MANUEL POUR**  
**FUTURE RÉFÉRENCE**

**GUARDE ESTE MANUAL PARA**  
**FUTURAS CONSULTAS**

# TABLE OF CONTENTS

■ Introduction .....	2
■ Warranty .....	2
■ Important Safety Instructions .....	3
■ Specific Safety Rules .....	4-5
■ Symbols .....	6
■ Features .....	7
■ Assembly .....	7-8
■ Operation .....	9-11
■ Maintenance .....	12-13
■ Troubleshooting .....	14
■ Figure numbers (illustrations) .....	15-17
■ Parts Ordering / Service .....	Back page

## INTRODUCTION

This product has many features for making its use more pleasant and enjoyable. Safety, performance, and dependability have been given top priority in the design of this product making it easy to maintain and operate.

## WARRANTY

### **RYOBI® POWER TOOL - LIMITED TWO YEAR WARRANTY AND 30 DAY EXCHANGE POLICY**

One World Technologies, Inc., warrants its RYOBI® power tools with the following conditions:

**30-DAY EXCHANGE POLICY:** During the first 30 days after date of purchase, you may either request service under this warranty or you may exchange any RYOBI® power tool which does not work properly due to defective workmanship or materials by returning the power tool to the dealer from which it was purchased. To receive a replacement power tool or requested warranty service, you must present proof of purchase and return all original equipment packaged with the original product. The replacement power tool will be covered by the limited warranty for the balance of the two year period from the date of the original purchase.

**WHAT THIS WARRANTY COVERS:** This warranty covers all defects in workmanship or materials in your RYOBI® power tool for a period of two years from the date of purchase. With the exception of batteries, power tool accessories are warranted for ninety (90) days. Batteries are warranted for two years.

**HOW TO GET SERVICE:** Just return the power tool, properly packaged and postage prepaid, to an Authorized Service Center. You can obtain the location of the Service Center nearest you by contacting a service representative at One World Technologies, Inc., P.O. Box 1207, Anderson, SC 29622-1207, by calling 1-800-525-2579 or by logging on to [www.ryobitools.com](http://www.ryobitools.com). When you request warranty service, you must also present proof of purchase documentation, which includes the date of purchase (for example, a bill of sale). We will repair any faulty workmanship, and either repair or replace any defective part, at our option. We will do so without any charge to you. We will complete the work in a reasonable time, but, in any case, within ninety (90) days or less.

**WHAT'S NOT COVERED:** This warranty applies only to the original purchaser at retail and may not be transferred. This warranty only covers defects arising under normal usage and does not cover any malfunction, failure or defects resulting from misuse, abuse, neglect, alteration, modification or repairs by other than Authorized Service Centers. One World Technologies, Inc. makes no warranties, representations or promises as to the quality or performance of its power tools other than those specifically stated in this warranty.

**ADDITIONAL LIMITATIONS:** Any implied warranties granted under state law, including warranties of merchantability or fitness for a particular purpose, are limited to two years from the date of purchase. One World Technologies, Inc. is not responsible for direct, indirect, or incidental damages, so the above limitations and exclusions may not apply to you. This warranty gives you specific legal rights, and you may also have other rights which vary from state to state.

# IMPORTANT SAFETY INSTRUCTIONS

## **WARNING:**

**SAVE THESE INSTRUCTIONS.** To reduce the risks of fire or explosion, electric shock, and the injury to persons, read and understand all instructions included in this manual. Be familiar with the controls and the proper usage of the equipment.

## **READ ALL INSTRUCTIONS**

- **KNOW YOUR POWER TOOL.** Read the operator's manual carefully. Learn the machine's applications and limitations as well as the specific potential hazards related to this tool.

**WARNING:** To reduce the risk of fire or explosion:

- Do not spray flammable or combustible materials near an open flame or sources of ignition such as cigarettes, motors, and electrical equipment.
- For units intended for use with only water-based or mineral spirit-type materials with a minimum flash point of 60°C (140°F), do not spray or clean with liquids having a flash point less than 60°C (140°F).
- Paint or solvent flowing through the equipment is able to result in static electricity. Static electricity creates a risk of fire or explosion in the presence of paint or solvent fumes.
- Do not use a paint or a solvent containing halogenated hydrocarbons.
- Keep spray area well ventilated. Keep a good supply of fresh air moving through the area. Keep pump assembly in a well ventilated area. Do not spray pump assembly.
- Do not smoke in the spray area.
- Do not operate light switches, engines, or similar spark producing products in the spray area.
- Keep area clean and free of paint or solvent containers, rags, and other flammable materials.
- Know the contents of the paints and solvents being sprayed. Read all Material Safety Data Sheets (MSDS) and container labels provided with the paints and solvents. Follow the paint and solvent manufacturer's safety instructions.
- Fire extinguisher equipment shall be present and working.

**WARNING:** To reduce the risk of skin injection:

- Do not aim the nozzle at, or spray any person or animal.
- Keep hands and other body parts away from the discharge. For example, do not try to stop leaks with any part of the body.
- Always use the spray tip. Do not spray without spray tip in place.
- Only use a spray tip specified by the manufacturer.
- Use caution when cleaning and changing spray tips. In the case where the spray tip clogs while spraying, follow the manufacturer's instructions for turning off the unit before removing the spray tip to clean.
- Do not leave the unit energized while unattended. When the unit is not in use, turn off the unit in accordance with the manufacturer's instructions.
- High pressure spray is able to inject toxins into the body and cause serious bodily injury. In the event that injection occurs, seek medical attention immediately.
- Check hoses and parts for signs of damage. Replace any damaged hoses or parts.
- This system is capable of producing 2500 psi. Only use replacement parts or accessories that are specified by the manufacturer and that are rated a minimum of 2500 psi.
- Know how to stop the unit and bleed pressure quickly. Be thoroughly familiar with the controls.
- Verify that all connections are secure before operating this unit.
- For household use only.

**WARNING:** To reduce the risk of injury:

- Do not operate or spray near children. Keep children away from equipment at all times.
- Do not overreach or stand on an unstable support. Keep effective footing and balance at all times.
- Stay alert and watch what you are doing.
- Do not operate the unit when fatigued or under the influence of drugs or alcohol.
- Do not kink or overbend the hose.
- Do not expose the hose to temperatures or to pressures in excess of those specified by the manufacturer.
- Do not use the hose as a strength member to pull or lift the equipment.

# SPECIFIC SAFETY RULES




- **Keep guards in place** and in working order. Never operate the tool with any guard or cover removed. Make sure all guards are operating properly before each use.
- **To reduce the risk of injury**, keep children and visitors away. All visitors should wear safety glasses and be kept a safe distance from work area.
- **Keep the area of operation clear of all persons**, particularly small children, and pets.
- **Use right tool.** Don't force tool or attachment to do a job it was not designed for. Don't use it for a purpose not intended.
- **Do not operate the equipment while barefoot or when wearing sandals or similar lightweight footwear.** Wear protective footwear that will protect your feet and improve your footing on slippery surfaces.
- **Exercise caution to avoid slipping or falling.**
- **Always wear safety glasses with side shields.** Everyday eyeglasses have only impact-resistant lenses; they are **NOT** safety glasses.
- **Use only recommended accessories.** The use of improper accessories may cause risk of injury.
- **Follow the maintenance instructions specified in this manual.**
- **Check damaged parts.** Before further use of the tool, a guard or other part that is damaged should be carefully checked to determine that it will operate properly and perform its intended function. Check for alignment of moving parts, binding of moving parts, breakage of parts, mounting, and any other conditions that may affect its operation. A guard or other part that is damaged must be properly repaired or replaced by an authorized service center to avoid risk of personal injury.
- **Never leave tool running unattended. Turn power off.** Don't leave tool until it comes to a complete stop.
- **Be thoroughly familiar with controls.** Know how to stop the product and bleed pressure quickly.
- **Keep tool dry, clean, and free from oil and grease.** Always use a clean cloth when cleaning. Never use brake fluids, gasoline, petroleum-based products, or any solvents to clean tool.
- **Do not use tool if switch does not turn it off.** Have defective switches replaced by an authorized service center.
- **Before cleaning, repairing, or inspecting**, shut off the motor and make certain all moving parts have stopped.
- **Avoid dangerous environment.** Don't use in damp or wet locations or expose to rain. Keep work area well lit.
- **Never direct a paint stream toward people or pets, or any electrical device.**
- **Never start the machine** if ice has formed in any part of the equipment.
- **WARNING: High pressure spray can be dangerous if subject to misuse.** The spray must not be directed at persons, animals, electrical devices, or the machine itself.
- **Keep away from hot parts.**
- **Check bolts and nuts** for looseness before each use. A loose bolt or nut may cause serious motor problems.
- **Before storing, allow the product to cool.**
- **Store in a cool, well-ventilated area**, safely away from spark and/or flame-producing equipment.
- **When servicing use only identical replacement parts.** Use of any other parts may create a hazard or cause product damage.
- **Never use the sprayer without a spray tip installed.**
- **An injection injury can lead to possible amputation.** See a physician immediately.
- **Never put your hand in front of the spray tip when in use.** Gloves will not always provide protection against an injection injury.
- **Wear clothing to keep paint off skin and hair, along with a mask or respirator during use.** Paints, solvents, and other materials can be harmful if inhaled or if they come into contact with the body.
- **Always unplug the sprayer, shut the unit off and release pressure before servicing, cleaning the tip or guard, changing the tip, or leaving unattended.**
- **Plastic can cause sparks. Never hang plastic to enclose a spray area.** Do not use plastic drop cloths when spraying flammable materials.
- **Do not spray outdoors on windy days.**
- **Do not attempt to clean or unclog the spray tip with your finger.**
- **A battery operated tool with integral batteries or a separate battery pack must be recharged only with the specified charger for the battery.** A charger that may be suitable for one type of battery may create a risk of fire when used with another battery.
- **Use battery operated tool only with specifically designated battery pack.** Use of any other batteries may create a risk of fire.
- **Use battery only with charger listed.** For use with 18V nickel-cadmium and 18V lithium-ion battery packs, see tool/appliance/battery pack/charger correlation supplement 987000-432.

## SPECIFIC SAFETY RULES






- **Disconnect battery pack from tool or place the switch in the locked or off position before making any adjustments, changing accessories, or storing the tool.** Such preventive safety measures reduce the risk of starting the tool accidentally.
- **When battery pack is not in use, keep it away from other metal objects like: paper clips, coins, keys, nails, screws, or other small metal objects that can make a connection from one terminal to another.** Shorting the battery terminals together may cause sparks, burns, or a fire.
- **Battery tools do not have to be plugged into an electrical outlet; therefore, they are always in operating condition. Be aware of possible hazards when not using your battery tool or when changing accessories.** Following this rule will reduce the risk of electric shock, fire, or serious personal injury.
- **Do not place battery tools or their batteries near fire or heat.** This will reduce the risk of explosion and possibly injury.
- **Do not crush, drop or damage battery pack. Do not use a battery pack or charger that has been dropped or received a sharp blow.** A damaged battery is subject to explosion. Properly dispose of a dropped or damaged battery immediately.
- **Batteries can explode in the presence of a source of ignition, such as a pilot light.** To reduce the risk of serious personal injury, never use any cordless product in the presence of open flame. An exploded battery can propel debris and chemicals. If exposed, flush with water immediately.
- **Do not charge battery tool in a damp or wet location.** Following this rule will reduce the risk of electric shock.
- **For best results, your battery tool should be charged in a location where the temperature is more than 50°F but less than 100°F. Do not store outside or in vehicles.**
- **Under extreme usage or temperature conditions, battery leakage may occur. If liquid comes in contact with your skin, wash immediately with soap and water, then neutralize with lemon juice or vinegar. If liquid gets into your eyes, flush them with clean water for at least 10 minutes, then seek immediate medical attention.** Following this rule will reduce the risk of serious personal injury.
- **Never leave a tool unattended with the battery installed.**
- **Save these instructions.** Refer to them frequently and use them to instruct other users. If you loan someone this tool, loan them these instructions also.

# SYMBOLS

The following signal words and meanings are intended to explain the levels of risk associated with this product.

SYMBOL	SIGNAL	MEANING
	<b>DANGER:</b>	Indicates an imminently hazardous situation, which, if not avoided, will result in death or serious injury.
	<b>WARNING:</b>	Indicates a potentially hazardous situation, which, if not avoided, could result in death or serious injury.
	<b>CAUTION:</b>	Indicates a potentially hazardous situation, which, if not avoided, may result in minor or moderate injury.
	<b>CAUTION:</b>	(Without Safety Alert Symbol) Indicates a situation that may result in property damage.

Some of the following symbols may be used on this product. Please study them and learn their meaning. Proper interpretation of these symbols will allow you to operate the product better and safer.

SYMBOL	NAME	DESIGNATION/EXPLANATION
	Safety Alert	Indicates a potential personal injury hazard.
V	Volts	Voltage
	Direct Current	Type or a characteristic of current
PSI	Pressure	Pressure is measured in pounds per square inch
GPH	Flow Rate	Flow rate is measured in maximum gallons of paint sprayed per hour
	Read The Operator's Manual	To reduce the risk of injury, user must read and understand operator's manual before using this product.
	Eye Protection	Always use eye protection with side shields marked to comply with ANSI Z87.1.
	Recycle Symbols	This product uses nickel-cadmium (Ni-Cd) and lithium-ion (Li-ion) batteries. Local, state, or federal laws may prohibit disposal of batteries in ordinary trash. Consult your local waste authority for information regarding available recycling and/or disposal options.



# FEATURES

## PRODUCT SPECIFICATIONS

Flow Rate ..... 5.5 GPH  
Roller Coverage.....58 sq. ft./min.  
Tank Size ..... 1.5 gal.

Motor ..... 18 Volt DC  
Charger Input..... 120 V, 60 Hz, AC only

## KNOW YOUR BACKPACK PAINTER

See Figure 1, page 15.

The safe use of this product requires an understanding of the information on the product and in this operator's manual as well as a knowledge of the project you are attempting. Before use of this product, familiarize yourself with all operating features and safety rules.

## INTEGRATED STORAGE HOOK

The integrated storage hook allows you to hang the power paint sprayer for storage.

## PAINT ROLLER

The paint roller accepts any 9 in. roller with up to 3/8-in. nap.

## POWER PAINT SPRAYER

The power paint sprayer allows you to spray large areas quickly.

## SPRAY TIPS

The two spray tips provided allow you to choose between three different spray patterns – vertical, horizontal, and round.

## SWITCH

With the switch set on forward, paint is pulled from the tank and flows into the roller or sprayer for easy paint application. When the switch is set on reverse, paint is pulled from the roller or sprayer and put back in the tank. In the center position, the motor is off.

## VARIABLE PAINT FLOW DIAL

The variable paint flow dial on the roller handle makes paint flow control quick and easy.

# ASSEMBLY

## UNPACKING

This product requires assembly.

- Carefully remove the product and any accessories from the box. Make sure that all items listed in the packing list are included.

### WARNING:

Do not use this product if any parts on the Packing List are already assembled to your product when you unpack it. Parts on this list are not assembled to the product by the manufacturer and require customer installation. Use of a product that may have been improperly assembled could result in serious personal injury.

- Inspect the product carefully to make sure no breakage or damage occurred during shipping.
- Do not discard the packing material until you have carefully inspected and satisfactorily operated the product.
- If any parts are damaged or missing, please call 1-800-525-2579 for assistance.

## PACKING LIST

Backpack Painter  
Power Paint Sprayer  
Paint Roller  
Roller Head  
Roller Handle  
Roller Caps (2)  
Paint Supply Tube  
Replacement Atomizer Valve  
Lubricant  
Cleaning Brush  
12 in. Wide Fan Tip  
Battery Pack  
Charger  
Operator's Manual

### WARNING:

If any parts are damaged or missing do not operate this product until the parts are replaced. Use of this product with damaged or missing parts could result in serious personal injury.

# ASSEMBLY

## **WARNING:**

Do not attempt to modify this product or create accessories not recommended for use with this product. Any such alteration or modification is misuse and could result in a hazardous condition leading to possible serious personal injury.

## **WARNING:**

Do not connect to power supply until assembly is complete. Failure to comply could result in accidental starting and possible serious personal injury.

### **CONNECTING/DISCONNECTING PAINT SUPPLY TUBE TO BACKPACK PAINTER**

*See Figures 2 - 3, page 15.*

Paint travels from the tank on the backpack unit to the sprayer or roller through the paint supply tube.

**NOTE:** If your paint supply tube has different ends, the end with the check valve should be connected to the backpack unit and the end without the valve should be connected to the sprayer or roller.

#### **To connect the paint supply tube to the machine:**

- Push the connector on the end of the paint supply tube into the quick-connect main outlet until it clicks. Pull on the tube to be certain it is properly secured.

#### **To disconnect the paint supply tube from the machine:**

- Hold the tube in your hand and push the release button.

### **ASSEMBLING THE PAINT ROLLER**

*See Figure 4, page 15.*

- Place roller caps in each end of the paint roller.
- Align pins in the end of each roller cap to the holes inside the roller head. Push out on the side of the roller head until the roller snaps into place.
- Depress the latches on the sides of the roller handle.
- Insert the collar on the roller head into the hole in the handle until fully seated.
- Release the latches to secure the roller head.

### **CONNECTING THE PAINT SUPPLY TUBE TO THE PAINT ROLLER ASSEMBLY OR POWER PAINT SPRAYER**

*See Figure 5 - 6, pages 15 - 16.*

#### **Connecting the paint supply tube to the sprayer:**

- Push the connector on the end of the paint supply tube into the quick-connect main outlet until it clicks. Pull on the tube to be certain it is properly secured.
- Leaving a small amount of slack in the supply tube, pinch the tube lightly and place it through the opening in the paint sprayer, beginning at the rear. To raise the barrier so the supply tube can be placed in the front, depress the switch trigger.

**NOTE:** Push the tube all the way to the back of the opening.

- Release the trigger to lower the barrier, then pull gently on the supply tube at the back of the paint sprayer to make sure the tube is seated securely.
- Plug the sprayer's DC power cord into the outlet on the backpack unit.

#### **Connecting the paint supply tube to the roller assembly:**

- Push the connector on the end of the paint supply tube into the quick-connect main outlet until it clicks. Pull on the tube to be certain it is properly secured.



# OPERATION

## **WARNING:**

Do not allow familiarity with this product to make you careless. Remember that a careless fraction of a second is sufficient to inflict serious injury.

## **WARNING:**

Always wear eye protection with side shields marked to comply with ANSI Z87.1. Failure to do so could result in fluids entering your eyes resulting in possible serious injury.

## **WARNING:**

Do not use any attachments or accessories not recommended by the manufacturer of this product. The use of attachments or accessories not recommended can result in serious personal injury.

## APPLICATIONS

You may use this product for the purpose listed below:

- Interior and exterior painting and staining of decks, outdoor furniture, fences, and walls

This product will accept Ryobi One+ 18 V lithium-ion battery packs and Ryobi One+ 18 V nickel-cadmium battery packs.

For complete charging instructions, refer to the Operator's Manuals for your Ryobi One+ battery pack and charger models.

## BATTERY PROTECTION FEATURES

Ryobi lithium-ion batteries are designed with features that protect the lithium-ion cells and maximize battery life.

If the tool stops during use, release the trigger to reset and resume operation. If the tool still does not work, the battery needs to be recharged.

## TO INSTALL/REMOVE BATTERY PACK

See Figure 7, page 16.

## **WARNING:**

Always remove battery pack from your tool when you are assembling parts, making adjustments, cleaning, or when not in use. Removing battery pack will prevent accidental starting that could cause serious personal injury.

### To install:

- Place the battery pack in the tool. Align the raised rib on the battery pack with groove in the battery port.
- Make sure the latches on each side of the battery pack snap in place and that the battery pack is secured in the tool before beginning operation.

### To remove:

- Depress the latches on both sides of the battery pack to release the battery pack and remove it from the tool.

## **WARNING:**

Battery tools are always in operating condition. Therefore, switch should always be locked when not in use or carrying at your side.

## **WARNING:**

Risk of fire or explosion. Spray area must be well-ventilated and away from sparks or flames.

## LOADING PAINT INTO THE MACHINE

See Figure 8, page 16.

Remove and discard any skin that has formed on top of the paint or stain, then thoroughly mix the material in its original container before beginning.

**NOTE:** Older containers of stain and paint may need to be strained before use.

The backpack tank will hold up to 1.5 gallons.

- Remove battery pack, if installed.
- Open the lid of the backpack tank.
- Carefully pour up to 1.5 gallons of paint or stain into the tank.
- Close the tank lid and press down firmly. Make sure the intake tube and filter go all the way to the bottom of the tank and the recirculating hose is also fully seated in the tank.

## MOTOR SWITCH

See Figure 9, page 16.

- To paint, set the switch in the forward position. In forward, the machine moves the paint from the tank into the sprayer or roller.
- With the switch set in the reverse position, the machine pulls the excess paint back through the paint tubes and into the paint tank, leaving less paint to clean up.
- In the center position, the unit is off.

## ADJUSTING HARNESS AND WAIST STRAPS

Straps should be adjusted to a comfortable position before starting the unit.

### To adjust harness strap assembly:

There are three possible height adjustment positions that can be used to easily adjust harness.

- Slip top buckle of harness from adjustment slot and position to desired height location.
- Tighten (pull down on strap) or loosen (lift up on tab of strap buckle) each harness strap as needed, until each is adjusted to a comfortable operating position.

# OPERATION

- Chest strap should be tightened or loosened until adjusted to a comfortable operating position.

## To adjust waist strap assembly:

- Waist strap should be tightened or loosened until adjusted to a comfortable operating position.

### **WARNING:**

To reduce the risk of injection, do not point sprayer at any part of the body or person. In case of skin injection, seek medical attention immediately. Do not use without spray tip in place.

## OPERATING THE SPRAYER

See Figures 10 - 12, page 16, and 18 - 19, page 17.

- Place a line of lubricant on the piston. To gain access to the piston, follow the instructions in **Cleaning the Unit for Storage** in the *Maintenance* section of this manual.
- Ensure surface to be painted is free of dust, dirt, and grease.
- Mask or cover any areas not intended to be painted or stained. Be aware of wind that may cause your paint or stain to spray into areas not desired. Always use drop cloths or other cover to protect areas that are not intended to be painted or stained.
- Fill the backpack tank with no more than 1.5 gallons of paint or stain.  
**NOTE:** After every refill of the tank, add a line of lubricant to the piston. See **Cleaning the Unit for Storage** for instructions on disassembling the sprayer to gain access to the piston.
- Select the proper spray tip for desired spray pattern. See **Selecting the Proper Spray Tip**.
- Install the battery pack in the backpack unit.
- Connect the paint supply tube to both the backpack unit and the sprayer.
- Prime the backpack unit:
  - Place the motor switch in the forward position.
  - Aim into a bucket and squeeze the trigger on the sprayer to release air inside the unit.
  - Once paint is running through both the intake tube and the return tube, the unit is primed.
  - Place the motor switch in the off position.

- Connect the DC power cord of the sprayer into the outlet on the backpack unit.

- Place the motor switch in the forward position.

- Pull the switch trigger to spray paint. Release the switch trigger to stop paint spray.

- Practice spraying on a piece of scrap material to test your spray pattern and to prime the pump before beginning. If you cannot get a good spray pattern with an even amount of paint or stain throughout, refer to the **Troubleshooting** section later in this manual.

**NOTE:** The pump must be primed after every paint change and at first use after storing. Spray paint at a scrap surface for at least 20 seconds to prime.

- To create an even coating over the entire surface:
  - Move your arm at a steady rate of speed and make sure to move your entire arm, not just your wrist.
  - Keep the sprayer an even distance from the area being sprayed, which should be between 8 to 10 inches from the tip of the sprayer to the surface being sprayed.
  - Depress the trigger to begin the spray off the material you want to paint. Operate the sprayer in straight horizontal or vertical strokes across the surface being painted, then release the trigger off the material to end the stroke.  
**NOTE:** For spray quality consistency when using thinner paints, it may be necessary to keep the trigger depressed between strokes.
- When finished, disconnect the DC power cord, then place the motor switch in the reverse position to allow unused paint to return to the backpack tank. Then remove the battery pack, return any unused paint or stain to its original container, and thoroughly clean the sprayer.

### **CAUTION:**

It is important to thoroughly clean the unit after each use or when changing colors. Allowing paint or stain to remain in an idle tool for an extended period can cause its moving pieces and connectors to seize up.


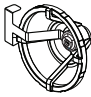
### **WARNING:**

Do not clean with any flammable liquids such as paint stripper, paint remover, brush cleaner, mineral spirits, lacquer thinner, turpentine, acetone, gasoline, kerosene, etc.

# OPERATION

## SELECTING THE PROPER SPRAY TIP

See Figure 13, page 16.

	Use the 1 in. round fan tip for latex paints, oil-based paints, and stains. This tip sprays in a round pattern.
	Use the 12 in. wide fan tip for latex paints. This tip sprays in a wide pattern that can be adjusted from horizontal to vertical.

### To switch tips:

- Remove the battery pack from the backpack unit.
- Remove the installed tip by turning it counter-clockwise.
- Install the desired tip and rotate clockwise to tighten securely.

**NOTE:** The tip should be tightened securely by hand. A too loose or overtightened tip may cause the sprayer to leak or be damaged.

### To change direction of wide fan tip:

- Slightly loosen the wide fan tip by rotating counter-clockwise 1/4 turn.
- Rotate the adjusting arm 1/4 turn in the direction needed to switch the direction of the tip spray.
- While holding the adjusting arm in position, rotate the wide fan tip clockwise until securely tightened.

## OPERATING THE ROLLER

See Figures 14 - 15, page 17.

- Install the battery pack into the backpack unit.
- Connect the paint supply tube to both the backpack unit and the roller handle.
- Prime the backpack unit:
  - Place the motor switch in the forward position.
  - Aim into a bucket and squeeze the trigger on the roller to release air inside the unit.
  - Once paint is running through both the intake tube and the return tube, the unit is primed.
  - Place the motor switch in the off position.
- Turn the flow adjustment knob so that it is all the way open.
- Place the motor switch in the forward position.
- Squeeze the trigger. Once the roller has paint, release the trigger and squeeze again only when more paint is needed.

**NOTE:** Do not continuously squeeze the trigger. For best results, after every third stroke, pull trigger for 1 second, release, then continue to paint.
- Once the paint is flowing through the paint tube and into the roller, adjust the variable paint flow valve for the desired paint coverage.
- To create an even coating over the entire surface:
  - Apply paint or stain in an area several feet wide in a zig-zag direction.
  - Roll back and forth repeatedly over the same area until the entire area is covered and the roller marks are smoothed out.
  - If additional coats are necessary, let paint or stain dry completely between coats.

# MAINTENANCE

## **WARNING:**

When servicing, use only identical replacement parts. Use of any other parts may create a hazard or cause product damage.

## **WARNING:**

Always wear eye protection with side shields marked to comply with ANSI Z87.1. Failure to do so could result in fluids entering your eyes resulting in possible serious injury.

## MAINTENANCE PROCEDURES

**NOTE:** Always remove the battery pack from the unit before attempting a service operation.

Avoid using solvents when cleaning plastic parts. Most plastics are susceptible to damage from various types of commercial solvents and may be damaged by their use. Use clean cloths to remove dirt, dust, oil, grease, etc.

## **WARNING:**

Do not at any time let brake fluids, gasoline, penetrating oils, etc., come in contact with plastic parts. Chemicals can damage, weaken, or destroy plastic which may result in serious personal injury.

## CLEANING THE UNIT FOR STORAGE

See Figures 16 - 20, page 17.

When you've finished your project and are ready to store the backpack unit and accessories, a thorough cleaning and lubrication is recommended.

**NOTE:** A five gallon bucket is recommended for cleaning the roller and the hoses. Recommended cleaning solutions are warm water for latex products and Klean-Strip® White Formula Paint Thinner for oil-based products. When finished, properly discard all used cleaning solution.

- Place the motor switch in the reverse position and allow to run for about 30 seconds. This will allow excess paint/stain to be recirculated from the tubes and the sprayer or roller back into the tank.
- Remove the battery pack from the backpack unit.
- Remove the lid from the tank.
- Remove the tank from the backpack unit.
- Return any unused paint or stain to its original container.
- Fill the tank with lukewarm water (following the use of latex products) or Klean-Strip® White Formula Paint Thinner (following the use of oil-based products).
- Reinstall the tank and replace the lid. Make sure the intake tube and filter are pushed down to the bottom of the tank.

- Install the battery pack in the backpack unit.
- If you were using the sprayer, spray the solution onto a piece of cardboard or other scrap material. Continue spraying until all the solution is used. Then disconnect the DC power cord from both the sprayer and the backpack unit.
- If you were using the roller, remove the roller from the roller head. Hold the roller head over the bucket and pull the trigger, allowing the cleaning solution to flush through the roller head and into the bucket.
- Turn off the unit and remove the battery pack.
- Remove the lid from the tank and remove the tank from the backpack unit.
- Fill the bucket with the cleaning solution determined by the last type of paint or stain used.  
**NOTE:** Use this bucket to clean each part of the machine as it is removed.
- Disconnect all paint tube(s) and hoses from the backpack unit and sprayer or roller.
- Clean all tubes, hoses, connections, and accessories using the cleaning brush and appropriate cleaning solution in the five gallon bucket.  
**NOTE:** For a thorough cleaning, remove the connections from each end of the paint supply tube and clean each piece separately.
- Allow all pieces to completely dry before reinstalling parts and storing the unit.

## TO CLEAN THE SPRAYER:

- Remove the installed spray tip by turning it counterclockwise.
- Remove the atomizer valve assembly.
- Remove the locking nut by turning it counterclockwise.
- Slide the pump housing assembly forward off the sprayer.
- Pull the piston and spring off the pump housing.
- Using the cleaning brush provided and the solution determined by the last type of paint or stain sprayed, clean all of the above parts thoroughly.  
**NOTE:** Make sure to scrub thoroughly inside the pump housing opening so that no paint or stain material is left behind.

## To reassemble:

- Place a line of lubricant on the piston.
- Slide the spring back onto the piston.
- Insert the piston and spring assembly inside the back of the pump housing.
- Replace the pump housing assembly into the sprayer.
- Replace the locking nut on the motor housing by pushing in while rotating clockwise to secure.
- Insert the atomizer valve assembly into the pump housing front opening.

# MAINTENANCE

- Replace the spray tip and rotate clockwise to secure.

## TO CLEAN THE PAINT ROLLER:

- Lift and remove the paint roller from the paint roller assembly.
- Pull the roller caps off the paint roller and clean using warm water.
- Slide the clamps towards each end of the manifold and take apart the paint roller assembly as shown.
- Clean all parts in cleaning solution determined by the last type of paint or stain used.

## REPLACING ATOMIZER VALVE ASSEMBLY IN THE SPRAYER

See Figure 21, page 17.

The atomizer valve causes the paint or stain material to spin as it comes out of the sprayer. After 7 to 10 gallons of paint or stain, the atomizer valve may no longer produce a good spray pattern and may need to be replaced.

## To replace:

- Remove the battery pack from the backpack unit.
- Rotate the spray tip counterclockwise and remove.
- Remove the atomizer valve assembly and discard.
- Install the new atomizer valve assembly.
- Replace the spray tip and rotate clockwise to secure.

## BATTERY PACK REMOVAL AND PREPARATION FOR RECYCLING

### WARNING:

Upon removal, cover the battery pack's terminals with heavy-duty adhesive tape. Do not attempt to destroy or disassemble battery pack or remove any of its components. Lithium-ion and nickel-cadmium batteries must be recycled or disposed of properly. Also, never touch both terminals with metal objects and/or body parts as short circuit may result. Keep away from children. Failure to comply with these warnings could result in fire and/or serious injury.

# TROUBLESHOOTING

PROBLEM	CAUSE	POSSIBLE SOLUTION
Motor does not run.	Battery is not charged.	Charge battery.
Motor overheats.	Piston has seized up.  Continuous spray operation.	Thoroughly clean the sprayer using long-term storage cleaning instructions in the <i>Maintenance</i> section of this manual.  Release trigger at the end of each pass to allow the motor to cool.
Motor has a low hum but does not spray.	Piston has seized up.	Thoroughly clean the sprayer using long-term storage cleaning instructions in the <i>Maintenance</i> section of this manual.
Motor seems to be running properly but doesn't spray.	Suction tube and filter are loose or damaged.  Atomizer valve is clogged or worn out.  Material being sprayed is too thick.  Plugged spray tip or intake filter; worn piston.	Reinstall or replace suction tube and filter as needed.  Clean or replace atomizer valve.  Follow material manufacturer's directions and thin material as needed.  Thoroughly clean the sprayer and, if necessary, replace piston*, using storage cleaning instructions in the <i>Maintenance</i> section of this manual.
Unit will not prime.	Paint supply tube is kinked.  Air is trapped in the sprayer or roller.	Pull slightly on the paint supply tube to release the kink.  Attach paint supply tube and roller or sprayer. Depress trigger on roller or sprayer to release trapped air.
Sprayed material is spitting or globbing up.	Paint container volume is getting low.  Material being sprayed is too thick.  Suction tube is loose.  Atomizer valve is clogged or worn out.  Worn spray tip or piston.	Refill paint container.  Follow material manufacturer's directions to thin material as needed.  Reinstall suction tube securely.  Clean or replace atomizer valve.  Clean or replace spray tip or piston*.
Paint/stain spray overspray is excessive.	Spray tip is too far from the surface being sprayed.	Hold sprayer closer to the surface being sprayed.
Paint/stain runs or sags on the work surface.	Proper paint methods not being observed.	Refer to <b>Operating the Sprayer</b> earlier in this manual.
Paint/stain is leaking behind the spray tip.	Spray tip is loose.  Atomizer valve is worn or not positioned properly.	Tighten spray tip.  Replace or reposition atomizer valve as needed.

\* Although unlikely, a worn piston is possible. A replacement piston can be purchased by calling customer service at 1-800-525-2579. Follow the instructions in **Cleaning the Unit for Storage** to access the piston for replacement.

**NOTE: FIGURES (ILLUSTRATIONS) START ON PAGE 15 AFTER FRENCH AND SPANISH LANGUAGE SECTIONS.**



# TABLE DES MATIÈRES

■ Introduction .....	2
■ Garantie .....	2
■ Instructions importantes concernant la sécurité .....	3
■ Règles de sécurité particulières .....	4-5
■ Symboles .....	6
■ Caractéristiques .....	7
■ Assemblage .....	7-8
■ Utilisation .....	9-11
■ Entretien .....	12-13
■ Dépannage .....	14
■ Figure numéros (illustrations .....	15-17
■ Commande de pièces / réparation .....	Page arrière

## INTRODUCTION

Ce produit offre de nombreuses fonctions destinées à rendre son utilisation plaisante et plus satisfaisante. Lors de la conception de ce produit, l'accent a été mis sur la sécurité, les performances et la fiabilité, afin d'en faire un outil facile à utiliser et à entretenir.

## GARANTIE

### OUTILS ÉLECTRIQUES RYOBI® – GARANTIE LIMITÉE DE DEUX ANS ET POLITIQUE D'ÉCHANGE DE 30 JOURS

One World Technologies, Inc., garantit ses outils électriques dans les conditions suivantes :

**POLITIQUE D'ÉCHANGE DE 30 JOURS :** En cas de défaillance due à des vices de matériaux ou de fabrication au cours des 30 jours suivant la date d'achat, l'acheteur pourra faire réparer tout outil électrique RYOBI® au titre de cette garantie ou le retourner l'établissement où il a été acheté. Pour obtenir un outil en échange ou demander la réparation en garantie, l'équipement complet devra être retourné, dans son emballage d'origine, accompagné d'une preuve d'achat. L'outil fourni en échange sera couvert par la garantie limitée pour le restant de la période de validité de deux ans à compter de la date d'achat.

**CE QUI EST COUVERT PAR LA GARANTIE :** Cette garantie couvre tous les vices de matériaux et de fabrication de cet outil électrique RYOBI®, pour une période de deux ans, à compter de la date d'achat. À l'exception des batteries, les accessoires sont garantis pour une période de quatre-vingt-dix (90) jours. Les batteries sont garanties deux ans.

**RÉPARATIONS SOUS GARANTIE :** Il suffit de retourner l'outil, correctement emballé, en port payé, à un centre de réparations agréé. L'adresse du centre de réparations agréé le plus proche peut être obtenue en contactant un représentant du service après-vente par courrier, à l'adresse One World Technologies, Inc., P.O. Box 1207, Anderson, SC 29622-1207, par téléphone au 1-800-525-2579 ou par courriel, à l'adresse Internet [www.ryobitools.com](http://www.ryobitools.com). Lors de toute demande de réparation sous garantie, une preuve d'achat datée (par exemple un reçu de vente) doit être fournie. Nous nous engageons à réparer tous les défauts de fabrication et à réparer ou remplacer, à notre choix, toutes les pièces défectueuses. Les réparations et remplacements seront gratuits. Les réparations sous garantie seront effectuées dans un délai raisonnable, ne dépassant en aucun cas quatre-vingt-dix (90) jours.

**CE QUI N'EST PAS COUVERT :** La garantie ne couvre que l'acheteur au détail original et n'est pas transférable. Cette garantie ne couvre que les défauts résultant d'une utilisation normale. Elle ne couvre pas les problèmes de fonctionnement, défaillances ou autres défauts résultant d'un usage incorrect ou abusif, de la négligence, de la modification, de l'altération ou de réparations effectuées par quiconque autre qu'un centre de réparations agréé. One World Technologies, Inc. ne fait aucune autre garantie, représentation ou promesse concernant la qualité et les performances de cet outil électrique, autres que celles expressément indiquées dans le présent document.

**AUTRES LIMITATIONS :** Toutes les garanties implicites accordées par les lois en vigueur, y compris les garanties de valeur marchande ou d'adéquation à un usage particulier, sont limitées à une durée de deux ans, à compter de la date d'achat. One World Technologies, Inc. décline toute responsabilité pour les dommages directs ou indirects, les limitations et exclusions peuvent ne pas s'appliquer à chaque acheteur. Cette garantie donne au consommateur des droits spécifiques, et celui-ci peut bénéficier d'autres droits, qui varient selon les états ou provinces.

# INSTRUCTIONS IMPORTANTES CONCERNANT LA SÉCURITÉ



## AVERTISSEMENT :

**CONSERVER CES INSTRUCTIONS.** Pour réduire les risques d'incendie ou d'explosion, choc électrique, et la blessure aux personnes lire et veiller à bien comprendre toutes instructions incluses le manuel. Familiarisez-vous avec toutes les commandes et l'utilisation correcte de l'équipement.

## LIRE TOUTES LES INSTRUCTIONS

- **APPRENDRE À CONNAÎTRE L'OUTIL.** Lire attentivement le manuel d'utilisation. Apprendre les applications et les limites de l'outil, ainsi que les risques spécifiques relatifs à son utilisation.

**AVERTISSEMENT :** Pour réduire les risques d'incendie ou d'explosion :

- Ne pas pulvériser de substances inflammables ou combustibles à proximité des flammes vives ou des sources d'inflammation comme les cigarettes, les moteurs et l'équipement électrique.
- Dans le cas des unités uniquement compatibles avec des substances à base d'eau ou avec des essences minérale ayant un point d'éclair de 60 °C (140 °F), ne pulvériser aucun liquide ayant un point d'éclair inférieur à 60 °C (140 °F) et n'effectuer aucune opération de nettoyage avec ce type de liquide.
- La peinture ou le solvant qui circule dans l'équipement peut créer de l'électricité statique. L'électricité statique crée un risque d'incendie ou d'explosion en présence de vapeurs de peinture ou de solvant. Toutes les pièces du système de pulvérisation, y compris la pompe, le tuyau, le pulvérisateur ainsi que les objets se trouvant dans la zone de pulvérisation ou autour de celle-ci, doivent être correctement mises à la terre afin d'assurer une protection contre les décharges statiques et les étincelles.
- Ne pas utiliser une peinture ou un solvant qui contient des hydrocarbures halogénés.
- L'aire de pulvérisation doit être bien ventilée. S'assurer que le lieu de travail comprend une bonne alimentation en air frais. Garder l'ensemble de pompe dans un endroit bien ventilé. Ne pas pulvériser la pompe elle-même.
- Ne pas fumer à proximité du l'aire de pulvérisation.
- Ne pas faire fonctionner les interrupteurs d'éclairage, les moteurs ou d'autres dispositifs produisant des étincelles à proximité du l'aire de pulvérisation.
- Garder le lieu de travail propre et exempt de contenants de peinture ou de solvant, de chiffons et d'autres matériaux inflammables.
- Bien connaître le contenu des peintures et des solvants qui sont pulvérisés. Lire toutes les fiches signalétiques et les étiquettes du contenant fournies avec les peintures et les solvants. Suivre les instructions de sécurité du fabricant concernant les peintures et les solvants.
- On doit retrouver un extincteur sur le lieu de travail et celui-ci doit fonctionner.

**AVERTISSEMENT :** Pour réduire les risques d'injection:

- Ne pas orienter la buse ou pulvériser en direction des personnes ou des animaux.
- Garder les mains et les autres parties du corps à l'écart de la décharge. Par exemple, ne pas tenter de bloquer une fuite avec une partie du corps.
- Toujours utiliser l'embout de pulvérisation. Ne pas utiliser l'outil si l'embout de pulvérisation n'est pas en place.
- Utiliser seulement un embout de pulvérisation recommandé par le fabricant.
- Faire preuve de prudence au moment de nettoyer et de changer les embouts de pulvérisation. Si l'embout de pulvérisation s'encrasse pendant l'opération, suivre les instructions du fabricant pour éteindre l'unité et relâcher la pression avant de retirer l'embout pour le nettoyer.
- Ne pas laisser l'unité sans surveillance lorsque celle-ci est en marche. Éteindre l'unité lorsqu'elle n'est pas utilisée, conformément aux instructions du fabricant.
- Le pulvérisateur haute pression peut injecter des substances toxiques dans le corps et entraîner des blessures graves. Au cas où ce genre d'injection surviendrait, consulter immédiatement un médecin.
- Vérifier les tuyaux flexibles et les pièces afin de s'assurer qu'ils ne sont pas endommagés. Remplacer tout tuyau flexible endommagé ou toute pièce endommagée.
- Ce système peut produire une pression de 17 236,89 kPa (2 500 psi). Utiliser uniquement des pièces de remplacement ou des accessoires recommandés par le fabricant et qui tolèrent une pression nominale de 17236,89 kPa (2 500 psi).
- Savoir comment arrêter rapidement l'unité. Se familiariser avec toutes les commandes.
- S'assurer que tous les raccords sont solides avant d'utiliser cette unité.
- Pour l'usage de ménage seulement.

**AVERTISSEMENT :** Pour réduire les risques de blessure :

- Ne pas utiliser ou pulvériser le produit à proximité des enfants. Garder les enfants à l'écart de l'équipement en tout temps.
- Ne pas travailler hors de portée ou se tenir sur un support instable. Se tenir bien campé et en équilibre en tout temps.
- Rester attentif et prêter attention au travail.
- Ne pas utiliser cet appareil en cas de fatigue ou sous l'influence de l'alcool ou de drogues.
- Ne pas entortiller ou courber excessivement le tuyau flexible.
- Ne pas exposer le tuyau flexible à des températures ou à des pressions qui dépassent celles recommandées par le fabricant.
- Ne pas utiliser le tuyau flexible comme élément de renforcement pour tirer ou soulever l'équipement.

# RÈGLES DE SÉCURITÉ PARTICULIÈRES




- **Maintenir tous les dispositifs de protection en place** et en bon état de fonctionnement. Ne jamais utiliser l'outil avec des couvercles ou dispositifs de protection retirés. S'assurer que tous les dispositifs de protection fonctionnent correctement avant chaque utilisation.
- **Pour réduire les risques de blessures**, garder les enfants et visiteurs à l'écart. Tous les visiteurs doivent porter des lunettes de sécurité et se tenir à bonne distance de la zone de travail.
- **Ne laisser personne approcher la zone de travail**, particulièrement les petits enfants et les animaux domestiques.
- **Utiliser l'outil approprié.** Ne pas utiliser l'outil ou un accessoire pour effectuer un travail pour lequel il n'est pas conçu. Ne pas utiliser l'outil pour une application non prévue.
- **Ne pas faire fonctionner l'équipement pied-nu ou en portant des sandales ou des chaussures légères similaires.** Porter des chaussures de sécurité protégeant les pieds et améliorant l'équilibre sur des surfaces glissantes.
- **Faire preuve de prudence pour éviter de glisser ou tomber.**
- **Toujours porter des lunettes de sécurité avec écrans latéraux.** Les lunettes de vue ordinaires sont munies seulement de verres résistants aux impacts ; ce ne sont **PAS** des lunettes de sécurité.
- **N'utiliser que les accessoires recommandés.** L'emploi de tout accessoire inadapté peut présenter un risque de blessure.
- **Suivre les instructions d'entretien spécifiées dans ce manuel.**
- **Vérifier l'état des pièces.** Avant d'utiliser l'outil de nouveau examiner soigneusement les pièces et dispositifs de protection qui semblent endommagés afin de déterminer s'ils fonctionnent correctement et s'ils remplissent les fonctions prévues. Vérifier l'alignement des pièces mobiles, s'assurer qu'aucune pièce n'est bloquée ou cassée, vérifier la fixation de chaque pièce et s'assurer qu'aucun autre problème ne risque d'affecter le bon fonctionnement de l'outil. Pour éviter les risques de blessures, toute protection ou pièce endommagée doit être correctement réparée ou remplacée dans un centre de réparations agréé.
- **Ne jamais laisser un outil en fonctionnement sans surveillance.** Ne pas s'éloigner de l'outil avant qu'il soit parvenu à un arrêt complet.
- **Se familiariser complètement avec les commandes.** Veiller à savoir arrêter la machine et relâcher la pression rapidement.
- **Garder l'outil sec, propre et exempt d'huile ou de graisse.** Toujours utiliser un chiffon propre pour le nettoyage. Ne jamais utiliser de liquide de freins, d'essence ou de produits à base de pétrole pour nettoyer l'outil.
- **Ne pas utiliser l'outil si le commutateur ne permet pas de l'arrêter.** Faire remplacer les commutateurs défectueux dans un centre de réparations agréé.
- **Avant de nettoyer, réparer ou inspecter**, couper le moteur et vérifier que toutes les pièces en mouvement sont arrêtées.
- **Éviter les environnements dangereux.** Ne pas utiliser dans des endroits mouillés ou humides, ne pas exposer à la pluie. Garder le lieu de travail bien éclairé.
- **Ne jamais diriger un jet de peinture vers des personnes, des animaux et des appareils électriques.**
- **Ne jamais mettre la machine en marche** si de la glace s'est formée sur quelque partie que ce soit.
- **AVERTISSEMENT : Les pulvérisateur à haute pression peuvent être dangereux s'ils sont utilisés incorrectement.** Le pulvérisateur ne doit pas être dirigé vers des personnes, animaux, dispositifs électriques ou l'équipement lui-même.
- **Rester à l'écart des pièces brûlantes.**
- **Vérifier le serrage de la boulonnerie** avant chaque utilisation. Un boulon ou écrou desserré peut causer de sérieux problèmes de moteur.
- **Laisser le produit refroidir avant de remiser l'outil.**
- **Remiser dans un endroit frais, bien aéré, à l'écart d'étincelle et/ou d'appareils produisant des flammes.**
- **Utiliser exclusivement des pièces identiques à celles d'origine pour les réparations.** L'usage de toute autre pièce pourrait créer une situation dangereuse ou endommager l'outil.
- **Ne pas utiliser l'outil si l'embout de pulvérisation n'est pas en place.**
- **Les conséquences d'une blessure par injection peuvent aller jusqu'à l'amputation.** Consulter immédiatement un médecin.
- **Ne jamais mettre les mains devant l'embout de pulvérisation pendant l'utilisation.** Le fait de porter des gants ne protège pas toujours l'utilisateur des blessures par injection.
- **Porter des vêtements afin de protéger la peau et les cheveux de la peinture, ainsi qu'un masque ou un respirateur pendant l'utilisation.** Les peintures, les solvants et les autres substances peuvent être dangereux s'ils sont inhalés ou s'ils entrent en contact avec le corps.

# RÈGLES DE SÉCURITÉ PARTICULIÈRES





- **Toujours débrancher le pulvérisateur, éteindre l'unité et relâcher la pression avant de procéder à l'entretien ou au nettoyage de l'embout ou du dispositif de protection de l'embout, de changer d'embout, ou de laisser l'unité sans surveillance.**
- **Le plastique peut provoquer des étincelles. Ne jamais suspendre du plastique pour clôturer une aire de pulvérisation.** Ne pas utiliser de toiles de peintre en plastique au moment de pulvériser des substances inflammables.
- **Ne pas pulvériser à l'extérieur lors de journées venteuses.**
- **Ne pas tenter de nettoyer ou de décrasser l'embout de pulvérisation avec son doigt.**
- **Les piles d'outils électriques, qu'elles soient intégrées ou amovibles, ne doivent être rechargées qu'avec l'appareil spécifié.** Un chargeur approprié pour un type de pile peut créer un risque d'incendie s'il est utilisé avec un autre type de pile.
- **Utiliser exclusivement le bloc-pile spécifiquement indiqué pour l'outil.** L'usage de tout autre bloc peut créer un risque d'incendie.
- **Ne recharger les batteries qu'avec l'appareil indiqué.** Pour utiliser l'appareil avec des batteries au nickel-cadmium et au lithium-ion de 18 V, consulter le supplément de raccordement pour chargeur/outils/batteries/appareil n° 987000-432.
- **Déconnecter le bloc-piles et mettre le commutateur en position d'arrêt ou de verrouillage avant d'effectuer des réglages, de changer d'accessoire ou de remiser l'outil.** Ces mesures de sécurité réduisent les risques de démarrage accidentel de l'outil.
- **Lorsque le bloc-piles n'est pas en usage, le tenir à l'écart d'articles métalliques tels que : les attaches trombones, pièces de monnaie, clés, clous, vis et autres petits objets métalliques risquant d'établir le contact entre les deux bornes.** La mise en court-circuit des bornes de piles peut causer des étincelles, des brûlures ou un incendie.
- **Les outils fonctionnant sur piles n'ayant pas besoin d'être branchés sur une prise secteur, ils sont toujours en état de fonctionnement. Tenir compte des dangers possibles lorsque l'outil n'est pas en usage et lors du remplacement des piles.** Le respect de cette consigne réduira les risques d'incendie, de choc électrique et de blessures graves.
- **Ne pas placer les outils électriques sans fil ou leurs piles à proximité de flammes ou d'une source de chaleur.** Ceci réduira les risques d'explosion et de blessures.
- **Ne pas écraser, faire tomber ou endommager le bloc-piles. Ne jamais utiliser un bloc-piles ou un chargeur qui est tombé, a été écrasé, a reçu un choc violent ou a été endommagé de quelque façon que ce soit.** Une pile endommagée risque d'exploser. Éliminer immédiatement toute pile endommagée, selon une méthode appropriée.
- **Les piles peuvent exploser en présence d'une source d'allumage, telle qu'une veilleuse.** Pour réduire les risques de blessures graves, ne jamais utiliser un appareil sans fil, quel qu'il soit, en présence d'une flamme vive. En explosant, une pile peut projeter des débris et des produits chimiques. En cas d'exposition, rincer immédiatement les parties atteintes avec de l'eau.
- **Ne pas recharger un outil fonctionnant sur piles dans un endroit humide ou mouillé.** Le respect de cette règle réduira les risques de choc électrique.
- **Pour un résultat optimal, les piles de l'outil doivent être rechargées dans un local où la température est de 10 à 38 °C (50 à 100 °F). Ne pas ranger l'outil à l'extérieur ou dans un véhicule.**
- **Si l'outil est utilisé de façon intensive ou sous des températures extrêmes, des fuites de pile peuvent se produire. En cas de contact du liquide avec la peau, rincer immédiatement la partie atteinte avec de l'eau savonneuse, puis neutraliser avec du jus de citron ou du vinaigre. En cas d'éclaboussure dans les yeux, les rincer à l'eau fraîche pendant au moins 10 minutes, puis contacter immédiatement un médecin.** Le respect de cette consigne réduira les risques de blessures graves.
- **Ne jamais laisser un outil sans surveillance si la pile est installée.**
- **Conserver ces instructions.** Les consulter fréquemment et les utiliser pour instruire d'autres utilisateurs. Si cet outil est prêt, il doit être accompagné de ces instructions.

# SYMBOLES

Les termes de mise en garde suivants et leur signification ont pour but d'expliquer le degré de risques associé à l'utilisation de ce produit.

SYMBOLE	SIGNAL	SIGNIFICATION
	<b>DANGER :</b>	Indique une situation extrêmement dangereuse qui, si elle n'est pas évitée, aura pour conséquences des blessures graves ou mortelles.
	<b>AVERTISSEMENT :</b>	Indique une situation potentiellement dangereuse qui, si elle n'est pas évitée, pourrait entraîner des blessures graves ou mortelles.
	<b>ATTENTION :</b>	Indique une situation potentiellement dangereuse qui, si elle n'est pas évitée, pourrait entraîner des blessures légères ou de gravité modérée.
	<b>ATTENTION :</b>	(Sans symbole d'alerte de sécurité) Indique une situation pouvant entraîner des dommages matériels.

Certains des symboles ci-dessous peuvent être utilisés sur produit. Veiller à les étudier et à apprendre leur signification. Une interprétation correcte de ces symboles permettra d'utiliser produit plus efficacement et de réduire les risques.

SYMBOLE	NOM	DÉSIGNATION / EXPLICATION
	Symbole d'alerte de sécurité	Indique un risque de blessure potentiel.
V	Volts	Tension
≡	Courant continu	Type ou caractéristique du courant
PSI	Pression	La pression est mesurée en livres par pouce carré
GPH	Débit	Le débit est mesuré selon le nombre de gallons de peinture pulvérisés par heure
	Lire le manuel d'utilisation	Pour réduire les risques de blessures, l'utilisateur doit lire et veiller à bien comprendre le manuel d'utilisation avant d'utiliser ce produit.
	Protection oculaire	Toujours porter une protection oculaire avec écrans latéraux certifiée conforme à la norme ANSI Z87.1.
	Symbole recycler	Ce produit utilise les piles de nickel-cadmium (Ni-Cd) ou lithium-ion (Li-ion). Les réglementations locales ou gouvernementales peuvent interdire de jeter les piles dans les ordures ménagères. Consulter les autorités locales compétentes pour les options de recyclage et/ou l'élimination.



# CARACTÉRISTIQUES

## FICHE TECHNIQUE

Débit..... 20,81 l/h (5,5 gal/h)  
Couverture du rouleau..... 17,7 m<sup>2</sup> (58 pi<sup>2</sup>) par minute  
Taille du réservoir ..... 5,68 l (1,5 gal)

Moteur ..... 18 V c.c.  
Alimentation du chargeur ..... 120 V, c.a. seulement, 60 Hz

## BIEN CONNAÎTRE SON SYSTÈME DE PEINTURE DORSAL

Voir la figure 1, page 15.

L'utilisation sûre de ce produit exige une compréhension des renseignements figurant sur l'outil et contenus dans le manuel d'utilisation, ainsi qu'une bonne connaissance du projet entrepris. Avant d'utiliser ce produit, se familiariser avec toutes ses fonctions et règles de sécurité.

## CROCHET DE RANGEMENT INTÉGRÉ

Le crochet de rangement intégré permet à l'utilisateur de suspendre le pistolet aux fins d'entreposage.

## ENSEMBLE DE ROULEAU À PEINDRE

Le rouleau à peindre est compatible avec n'importe quel rouleau de 228,6 mm (9 po), à poils de 9,53 mm (3/8 po) maximum.

## PULVÉRISATEUR DE PEINTURE ÉLECTRIQUE

La pulvérisateur de peinture électrique vous permet de vaporiser de grands secteurs rapidement.

## CONSEILS SUR LA PULVÉRISATION

Les deux embouts de pulvérisation fournis permettent à l'utilisateur de choisir entre trois formes de jet différentes : horizontale, verticale ou circulaire.

## INTERRUPTEUR

Lorsque l'interrupteur est réglé en position de marche avant, la peinture est puisée dans le réservoir et circule dans le rouleau ou le pulvérisateur pour faciliter l'application. Lorsque l'interrupteur est réglé en position de marche arrière, la peinture est tirée du rouleau ou du pulvérisateur et réacheminée dans le réservoir. Lorsque l'interrupteur est réglé à la position centrale, le moteur est éteint.

## CADRAN DE CONTRÔLE DU DÉBIT DE PEINTURE

Le cadran de contrôle du débit de peinture, qui est situé sur la poignée du rouleau, permet de contrôler rapidement et facilement le débit de peinture.

# ASSEMBLAGE

## DÉBALLAGE

Ce produit doit être assemblé.

- Avec précaution, sortir le produit et les accessoires de la boîte. S'assurer que toutes les pièces figurant sur la liste de contrôle sont incluses.



### AVERTISSEMENT :

Ne pas utiliser le produit si, en le déballant, vous constatez que des éléments figurant dans la liste de contrôle d'expédition sont déjà assemblés. Certaines pièces figurant sur cette liste n'ont pas été assemblées par le fabricant et exigent une installation. Le fait d'utiliser un produit qui a été assemblé de façon inadéquate peut entraîner des blessures.

- Examiner soigneusement le produit pour s'assurer que rien n'a été brisé ou endommagé en cours de transport.

- Ne pas jeter les matériaux d'emballage avant d'avoir soigneusement examiné le produit et avoir vérifié qu'il fonctionne correctement.
- Si des pièces sont manquantes ou endommagées, appeler le 1-800-525-2579.

## LISTE DE CONTRÔLE D'EXPÉDITION

Système de peinture dorsal  
Pistolet à peindre électrique  
Rouleau à peindre  
Tête du rouleau  
Poignée du rouleau  
Capuchons de rouleau (2)  
Tube d'alimentation en peinture  
Valve de pulvérisateur de remplacement  
Lubrifiant  
Brosse de nettoyage  
Embout de pulvérisation en éventail de 304,8 mm (12 po)  
Bloc-pile  
Chargeur  
Manuel d'utilisation



# ASSEMBLAGE

## **AVERTISSEMENT :**

Si des pièces manquent ou sont endommagées, ne pas utiliser ce produit avant qu'elles aient été remplacées. Le fait d'utiliser ce produit même s'il contient des pièces endommagées ou s'il lui manque des pièces peut entraîner des blessures graves.

## **AVERTISSEMENT :**

Ne pas essayer de modifier cet outil ou de créer des accessoires non recommandés pour l'outil. De telles altérations ou modifications sont considérées comme un usage abusif et peuvent créer des conditions dangereuses, risquant d'entraîner des blessures graves.

## **AVERTISSEMENT :**

Toujours porter une protection oculaire avec écrans latéraux certifiée conforme à la norme ANSI Z87.1. Le non respect de cette règle peut faire en sorte que des liquides soient projetés dans vos yeux, ce qui peut entraîner des blessures graves.

## **CONNEXION DU TUBE D'ALIMENTATION EN PEINTURE AU SYSTÈME DE PEINTURE DORSAL ET DÉCONNEXION**

*Voir les figures 2 et 3, page 15.*

La peinture circule du réservoir de l'unité dorsale au pulvérisateur ou au rouleau, en passant par le tube d'alimentation en peinture.

**NOTE :** Si le tube d'alimentation en peinture présente des extrémités différentes, l'extrémité qui comprend un clapet antiretour doit être raccordée à l'unité dorsale, et l'extrémité qui en est dépourvue doit être reliée au pulvérisateur ou au rouleau.

### **Pour raccorder le tube d'alimentation en peinture à l'unité :**

- Pousser le raccord de l'extrémité du tube d'alimentation en peinture dans la prise à connexion rapide principale jusqu'à ce qu'il s'enclenche. Tirer sur le tube pour s'assurer qu'il est solide.

### **Pour débrancher le tube d'alimentation en peinture de l'unité :**

- Saisir le tube et appuyer sur le bouton de dégagement.

## **ASSEMBLAGE DU ROULEAU À PEINDRE**

*Voir la figure 4, page 15.*

- Placer les capuchons de rouleau à chaque extrémité du rouleau à peindre.
- Aligner les goupilles se trouvant à l'extrémité de chaque capuchon de rouleau avec les trous situés à l'intérieur de la tête du rouleau. Appuyer sur le côté de la tête du rouleau jusqu'à ce que le rouleau s'enclenche en place.
- Appuyer sur les loquets situés de chaque côté de la poignée du rouleau.
- Insérer la bague de la tête du rouleau dans le trou de la poignée jusqu'à ce qu'elle s'appuie complètement.
- Relâcher les loquets pour fixer solidement la tête du rouleau.

## **CONNEXION DU TUBE D'ALIMENTATION EN PEINTURE À L'ENSEMBLE DE ROULEAU À PEINDRE OU AU PULVÉRISATEUR DE PEINTURE ÉLECTRIQUE**

*Voir les figures 5 et 6, pages 15 et 16.*

### **Pour raccorder le tube d'alimentation en peinture au pulvérisateur :**

- Pousser le raccord de l'extrémité du tube d'alimentation en peinture dans la prise principale à connexion rapide jusqu'à ce qu'il s'enclenche. Tirer sur le tube pour s'assurer qu'il est bien fixé.
- En laissant un petit jeu dans le tube d'alimentation, pincer légèrement le tube et le placer dans l'ouverture du pulvérisateur de peinture, en commençant à l'arrière. Pour soulever la barrière de façon à pouvoir placer le tube d'alimentation à l'avant, appuyer sur la gâchette.

**NOTE :** Pousser le tube jusqu'à la partie arrière de l'ouverture.

- Relâcher la gâchette pour abaisser la barrière, puis, tirer légèrement sur le tube d'alimentation situé à l'arrière du pulvérisateur de peinture pour s'assurer que le tube est bien en place.
- Brancher le cordon d'alimentation c.c. du pulvérisateur dans la prise de l'unité dorsale.

### **Pour raccorder le tube d'alimentation en peinture à l'ensemble de rouleau :**

- Pousser le raccord de l'extrémité du tube d'alimentation en peinture dans la prise principale à connexion rapide jusqu'à ce qu'il s'enclenche. Tirer sur le tube pour s'assurer qu'il est bien fixé.

# UTILISATION

## AVERTISSEMENT :

Ne pas laisser la familiarité avec le produit faire oublier la prudence. Ne pas oublier qu'une fraction de seconde d'inattention peut entraîner des blessures graves.

## AVERTISSEMENT :

Toujours porter une protection oculaire avec écrans latéraux certifiée conforme à la norme ANSI Z87.1. Le non respect de cette règle peut faire en sorte que des liquides soient projetés dans vos yeux, ce qui peut entraîner des blessures graves.

## AVERTISSEMENT :

Ne pas utiliser d'outils ou accessoires non recommandés par le fabricant pour cet outil. L'utilisation de pièces et accessoires non recommandés peut entraîner des blessures graves.

## APPLICATIONS

Ce produit peut être utilisé pour l'application ci-dessous :

- Pour peinture ou teinture d'intérieur ou d'extérieur sur patios, meubles d'extérieur, clôtures et murs

Ce produit est compatible avec les piles 18 V au lithium-ion et au nickel cadmium de Ryobi One+.

Pour prendre connaissance de l'ensemble des instructions relatives à la charge, consulter les manuels d'utilisation des blocs-piles One+ de Ryobi et des modèles de chargeur connexes.

## CARACTÉRISTIQUES RELATIVES À LA PROTECTION DES BATTERIES

Les piles au lithium ion de Ryobi sont conçues de manière à protéger les piles au lithium ion et à maximiser l'autonomie des piles.

Si l'outil s'arrête en cours d'utilisation, relâcher la gâchette pour le réenclencher et reprendre l'opération. Si l'outil ne fonctionne toujours pas, cela signifie qu'il est nécessaire de recharger la pile.

## RETRAIT/INSTALLATION DU BLOC-PILES

Voir la figure 7, page 16.

## AVERTISSEMENT :

Toujours retirer la pile de l'outil au moment d'assembler des pièces, d'effectuer des réglages et de procéder au nettoyage, ou lorsque l'outil n'est pas utilisé. Le fait de retirer la pile permet d'empêcher un démarrage accidentel pouvant entraîner des blessures graves.

## Installation :

- Aligner la nervure du bloc-piles sur la rainure du chargeur et insérer le bloc dans le compartiment de l'outil.
- S'assurer que ses deux loquets latéraux s'engagent correctement et vérifier que le bloc est solidement assujéti avant d'utiliser l'outil.

## Retrait :

- Appuyer sur les deux loquets se trouvant sur les côtés du bloc-piles pour le séparer de l'outil et retirer le bloc-piles de l'outil.

## AVERTISSEMENT :

Les outils à piles sont toujours en état de fonctionnement. Il est donc nécessaire de toujours verrouiller la gâchette lorsque l'outil n'est pas en usage ou pendant son transport.

## AVERTISSEMENT :

Risque d'incendie ou d'explosion. L'aire de pulvérisation doit être ventilée et située à l'écart des étincelles et des flammes.

## TRANSFERT DU CONTENU DU RÉCIPIENT DE PEINTURE DANS L'UNITÉ

Voir la figure 8, page 16.

Retirer et jeter la pellicule qui s'est formée sur le dessus de la peinture ou de la teinture, puis bien mélanger la substance dans son contenant original avant de débiter l'opération.

**NOTE :** Il peut être nécessaire de filtrer le contenu des vieux récipients de peinture et de teinture avant de l'utiliser.

Le réservoir de l'unité dorsale a une capacité maximale de 5,68 l (1,5 gal).

- Retirer le bloc-piles, si celui-ci est installé.
- Ouvrir le couvercle du réservoir de l'unité dorsale.
- Verser soigneusement 5,68 l (1,5 gal) de peinture ou de teinture dans le réservoir.
- Fermer le couvercle du réservoir et appuyer fermement dessus. S'assurer que le tube d'admission et le filtre touchent au fond du réservoir et que le tuyau de recirculation est également bien appuyé au fond du réservoir.

## INTERRUPTEUR DU MOTEUR

Voir la figure 9, page 16.

- Pour appliquer de la peinture, régler l'interrupteur en position de marche avant. Une fois en marche avant, l'unité fait circuler la peinture du réservoir vers le pulvérisateur ou le rouleau.
- Lorsque l'interrupteur est réglé en position de marche arrière, l'unité réachemine l'excédent de peinture dans les tubes de peinture jusqu'au réservoir de peinture, ce qui laisse moins de peinture à nettoyer.
- Lorsque l'unité est réglée à la position centrale, l'unité est éteinte.

# UTILISATION

## AJUSTEMENT DU HARNAIS ET DES SANGLES DE FIXATION À LA TAILLE

Les sangles doivent être réglées à une position confortable avant de démarrer l'unité.

### Pour ajuster l'ensemble de courroies du harnais :

Trois positions de réglage de la hauteur peuvent être utilisées pour ajuster facilement le harnais.

- Glisser la boucle supérieure du harnais à partir de la fente d'ajustement et la placer à la hauteur désirée.
- Au besoin, serrer (tirer vers le bas sur la courroie) ou desserrer (soulever l'ergot de la boucle de la courroie) chaque courroie de harnais jusqu'à ce que celles-ci soient ajustées à une position d'utilisation confortable.
- Il est possible de serrer ou de desserrer la sangle pectorale jusqu'à ce que celle-ci soit ajustée à une position d'utilisation confortable.

### Pour ajuster l'ensemble de sangle de fixation à la taille

- Il est possible de serrer ou de desserrer la sangle de fixation à la taille jusqu'à ce que celle-ci soit ajustée à une position d'utilisation confortable.

### AVERTISSEMENT :

Pour réduire le risque d'injection, ne pas diriger le pulvérisateur vers soi ou vers quiconque. En cas d'injection cutanée, consulter immédiatement un médecin. Ne pas utiliser l'outil si l'embout de pulvérisation n'est pas en place.

## UTILISATION DU PISTOLET

Voir les figures 10 à 12, page 16 et les figures 18 et 19, page 17.

- Placer une pellicule de lubrifiant sur le piston. Pour accéder au piston, suivre les instructions décrites sous **Nettoyage d'unité aux fins d'entreposage**, à la section *Entretien* du présent manuel.
- S'assurer que la surface à peindre est exempte de poussière, de saleté et de graisse.
- Masquer ou recouvrir les surfaces sur lesquelles on ne prévoit pas appliquer de peinture ou de teinture. Attention au vent; il pourrait entraîner la peinture ou la teinture vers des endroits non désirés. Toujours utiliser une toile de peintre ou un autre recouvrement pour protéger les zones sur lesquelles on ne prévoit pas appliquer de peinture ou de teinture.
- Remplir le réservoir de peinture avec au maximum 5,7 l (1.5 gal) de la peinture ou de la teinture désirée.

**NOTE :** À tous les remplissages, ajouter une pellicule de lubrifiant sur le piston. Consulter la section intitulée **Nettoyage d'unité aux fins d'entreposage** pour connaître les instructions sur le désassemblage du pistolet et sur l'accès au piston.

- Choisir l'embout de pulvérisation qui procure la forme de jet désirée. Voir **Choisir l'embout de pulvérisation approprié**.
  - Installer le bloc-piles dans l'unité dorsale.
  - Raccorder le tube d'alimentation en peinture à l'unité dorsale et à la pistolet.
  - Amorcer l'unité dorsale :
    - Régler l'interrupteur du moteur en position de marche avant.
    - Diriger le jet dans un seau et appuyer sur la gâchette du pulvérisateur pour libérer l'air retenu.
    - Une fois que la peinture circule dans le tube d'admission et dans le tube de retour, l'unité est amorcée.
    - Régler l'interrupteur du moteur à la position « Off » (Arrêt).
  - Brancher le cordon d'alimentation c.c. du pulvérisateur dans la prise de l'unité dorsale.
  - Régler l'interrupteur du moteur en position de marche avant.
  - Appuyer sur la gâchette pour pulvériser la peinture. Relâcher la gâchette pour cesser l'opération.
  - S'exercer à pulvériser sur des matériaux de rebut afin de tester le pistolet. S'il est impossible d'obtenir une bonne forme de jet avec une quantité égale de peinture ou de teinture, consulter la section **Dépannage** présentée ultérieurement dans le présent manuel.
- NOTE :** Il est nécessaire d'amorcer la pompe chaque fois que la peinture est changée, ainsi que lors de la première utilisation suivant l'entreposage. Pulvériser la peinture sur une surface de rebut pendant au moins 20 secondes pour amorcer la pompe.
- Pour créer un revêtement égal sur toute la surface :
    - Déplacer son bras à une vitesse constante et s'assurer de bouger tout le bras, pas seulement le poignet.
    - Garder le pistolet à une distance égale de la zone de pulvérisation, soit de 203,2 mm (8 po) à 254 mm (10 po) entre l'embout du pistolet et la surface à pulvériser.
    - Appuyer sur la gâchette pour commencer à pulvériser l'enduit à appliquer. Utiliser le pistolet en lui faisant effectuer des mouvements horizontaux ou verticaux devant la surface à peindre, puis relâcher la gâchette pour cesser la pulvérisation.
- NOTE :** Pour assurer une pulvérisation de qualité uniforme avec des peintures plus fluides, il peut être nécessaire de tenir la gâchette enfoncée entre les mouvements.
- Une fois l'opération terminée, débrancher ensuite le cordon d'alimentation c.c., puis régler l'interrupteur du moteur en position d'arrière pour peinture ou la teinture non utilisée de retourner au réservoir de peinture. Retirer le bloc-piles, verser toute peinture ou teinture non utilisée dans son contenant d'origine et bien nettoyer le pistolet.

# UTILISATION

## ATTENTION :


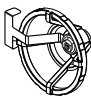
Il est important de bien nettoyer le pistolet après chaque utilisation ou au moment de changer de couleur. Le fait de laisser de la peinture ou de la teinture dans un outil au repos pendant une longue période peut entraîner le grippage des pièces mobiles ou des raccords de l'appareil.

## ⚠ AVERTISSEMENT :

Ne pas nettoyer l'appareil avec des liquides inflammables comme du décapant pour peinture, du décapeur, du nettoyant pour pinceaux, de l'essence minérale, du diluant à peinture-laque, de la térébenthine, de l'acétone, de l'essence, du kérosène, etc.

## CHOISIR L'EMBOUT DE PULVÉRISATION APPROPRIÉ

Voir la figure 13, page 16.

	Utiliser le pulvérisateur circulaire de 25,4 mm (1 po) conçu pour les matériaux comme les peintures au latex et les peintures et les teintures à l'huile. Cette embout permet de pulvériser selon un profil circulaire.
	Utiliser l'embout de pulvérisation en éventail de 304,8 mm (12 po) conçu pour les matériaux comme les peintures au latex. Cette embout donne un large profil de pulvérisation, soit horizontal soit vertical.

### Pour changer d'embout :

- Retirer le bloc-pile d'unité dorsale.
- Retirer l'embout installé en le tournant dans le sens antihoraire.
- Installer l'embout désiré et le tourner dans le sens horaire afin de le serrer solidement.

**NOTE :** Il importe de serrer solidement et manuellement l'embout. Si l'embout est desserré ou s'il a été serré excessivement, cela peut causer des fuites ou des dommages à l'outil.

### Pour changer le sens de l'embout en éventail :

- Desserrer légèrement l'embout en éventail en le tournant 1/4 de tour dans le sens antihoraire.
- Tourner le bras de réglage d'un quart de tour dans la direction requise pour changer le profil de pulvérisation.
- Tout en maintenant en place le bras de réglage, tourner l'embout en éventail dans le sens horaire jusqu'à ce qu'il soit serré solidement.

## UTILISATION DU ROULEAU

Voir les figures 14 et 15, page 17.

- Installer le bloc-piles dans l'unité dorsale.
- Raccorder le tube d'alimentation en peinture à l'unité dorsale et à la poignée du rouleau.
- Amorcer l'unité dorsale :
  - Régler l'interrupteur du moteur en position de marche avant.
  - Diriger le jet dans un seau et appuyer sur la gâchette du rouleau pour libérer l'air retenu.
  - Une fois que la peinture circule dans le tube d'admission et dans le tube de retour, l'unité est amorcée.
  - Régler l'interrupteur du moteur à la position « Off » (Arrêt).
- Tourner le bouton de réglage du débit de pulvérisation de la peinture de manière à ce que l'outil soit en position ouverte.
- Régler l'interrupteur du moteur en position de marche avant.
- Appuyer sur la gâchette. Une fois que le rouleau est rempli de peinture, relâcher la gâchette; appuyer de nouveau sur celle-ci si davantage de peinture est requise.

**NOTE :** Ne pas appuyer sur la gâchette de façon continue. Pour obtenir de meilleurs résultats, à tous les trois mouvements, appuyer sur la gâchette pendant une seconde, la relâcher puis continuer d'appliquer de la peinture.
- Une fois que la peinture circule dans le tube de peinture et le rouleau, régler la valve de contrôle du débit de peinture de manière à obtenir le revêtement désiré.
- Pour créer un revêtement égal sur toute la surface :
  - Appliquer de la peinture ou de la teinture en zigzag sur une zone d'une largeur de plusieurs pieds.
  - Faire effectuer au rouleau des mouvements de va-et-vient sur la même surface jusqu'à ce que toute la surface soit recouverte et qu'aucune marque de rouleau ne demeure.
  - S'il est nécessaire d'appliquer des couches supplémentaires, laisser la peinture ou la teinture sécher complètement entre chaque couche.

# ENTRETIEN

## AVERTISSEMENT :

Utiliser exclusivement des pièces d'origine pour les réparations. L'usage de toute autre pièce pourrait créer une situation dangereuse ou endommager le produit.

## AVERTISSEMENT :

Toujours porter une protection oculaire avec écrans latéraux certifiée conforme à la norme ANSI Z87.1. Le non respect de cette règle peut faire en sorte que des liquides soient projetés dans vos yeux, ce qui peut entraîner des blessures graves.

## PROCÉDURES D'ENTRETIEN

**NOTE :** Toujours retirer le bloc-pile de l'unité avant de tenter d'effectuer un entretien.

Éviter d'utiliser des solvants pour le nettoyage des pièces en plastique. La plupart des matières plastiques peuvent être endommagées par divers types de solvants du commerce. Utiliser un chiffon propre pour éliminer la saleté, la poussière, l'huile, la graisse, etc.

## AVERTISSEMENT :

Ne jamais laisser de liquides tels que le fluide de freins, l'essence, les huiles pénétrantes, etc., entrer en contact avec les pièces en plastique. Les produits chimiques peuvent endommager, affaiblir ou détruire le plastique, ce qui peut entraîner des blessures graves.

## NETTOYAGE D'UNITÉ D'ENTREPOSER

Voir les figures 16 à 20, page 17.

Lorsque le projet est terminé et qu'il est temps d'entreposer l'unité dorsale, il est recommandé de bien nettoyer et lubrifier l'outil.

**NOTE :** Il est recommandé d'utiliser un seau d'une capacité de 18,93 l (5 gal) pour nettoyer le rouleau et les tuyaux. Il est recommandé d'utiliser de l'eau chaude dans le cas d'enduits au latex et du diluant de formule blanche Klean-Strip® dans le cas d'enduits à base d'huile. Une fois l'opération terminée, éliminer adéquatement tout le détergent liquide utilisé.

- Régler l'interrupteur du moteur en position de marche arrière et laisser le moteur tourner pendant environ 30 secondes. Cela permettra à l'excédent de peinture ou de teinture d'être réacheminé des tubes et du pulvérisateur ou du rouleau jusqu'au réservoir.
- Retirer le bloc-pile d'unité dorsale.
- Retirer le couvercle du réservoir.
- Retirer le réservoir de l'unité dorsale.
- Verser toute peinture ou teinture non utilisée dans son contenant d'origine.

- Remplir le réservoir de peinture d'eau tiède (dans le cas d'enduits au latex) ou de diluant de formule blanche Klean-Strip® (dans le cas d'enduits à base d'huile).
- Réinstaller le réservoir et replacer le couvercle. S'assurer que le tube d'admission et le filtre touchent au fond du réservoir.
- Installer le bloc-piles dans l'unité dorsale.
- Si le pulvérisateur était utilisé, pulvériser la solution sur un morceau de carton ou sur un autre matériau de rebut. Continuer de pulvériser jusqu'à ce que toute la solution ait été utilisée. Débrancher ensuite le cordon d'alimentation c.c. du pulvérisateur et de l'unité dorsale.
- Si le rouleau était utilisé, le retirer de la tête du rouleau. Tenir la tête du rouleau au-dessus du seau et appuyer sur la gâchette pour évacuer le détergent liquide de la tête du rouleau dans le seau.
- Mettre l'unité à l'arrêt et retirer le bloc-piles.
- Retirer le couvercle du réservoir et retirer le réservoir de l'unité dorsale.
- Remplir le seau avec la solution choisie en fonction du type de peinture ou de teinture utilisée.  
**NOTE :** Utiliser le seau pour nettoyer chacune des pièces retirées de l'unité.
- Débrancher tous les tubes de peinture et les tuyaux de l'unité dorsale et du pulvérisateur ou du rouleau.
- Nettoyer tous les tubes, tuyaux, raccords et accessoires dans le seau de 18,93 l (5 gal), en utilisant la brosse de nettoyage et la solution de nettoyage appropriée.  
**NOTE :** Pour un nettoyage efficace, retirer les raccords à chaque extrémité du tube d'alimentation en peinture et nettoyer séparément chacune des pièces.
- Laisser toutes les pièces sécher complètement avant de les réinstaller et d'entreposer l'unité.

## POUR NETTOYER LE PULVÉRISATEUR :

- Retirer l'embout de pulvérisation qui a été installé en le tournant dans le sens antihoraire et le mettre à l'écart.
- Retirer l'ensemble valve de pulvérisateur et le mettre à l'écart.
- Retirer l'écrou de verrouillage en le tournant dans le sens antihoraire.
- Glisser vers l'avant l'ensemble du réservoir logement de la pompe et le détacher du pistolet.
- Tirer le piston et le ressort hors du logement de la pompe.
- Utiliser la brosse de nettoyage fournie ainsi qu'une solution choisie en fonction du dernier type de peinture ou de teinture pulvérisée; bien nettoyer toutes les pièces mentionnées plus haut.  
**NOTE :** S'assurer de bien nettoyer l'intérieur de l'ouverture du logement de la pompe de façon à ce qu'il ne reste aucune trace de peinture ou de teinture.



# ENTRETIEN

## Pour réassembler l'unité :

- Placer une pellicule de lubrifiant sur le piston.
- Replacer le ressort sur le piston.
- Insérer l'ensemble piston et ressort dans la partie arrière du logement de la pompe.
- Replacer l'ensemble logement de la pompe/couvercle du réservoir sur le pistolet.
- Replacer l'écrou de verrouillage sur le logement du moteur en le poussant et en le tournant dans le sens horaire afin de le fixer solidement.
- Insérer l'ensemble valve de pulvérisateur dans l'ouverture avant du logement de la pompe.
- Replacer l'embout de pulvérisation et le tourner dans le sens horaire afin de le fixer solidement.

## POUR NETTOYER LE ROULEAU À PEINDRE :

- Soulever le rouleau à peindre et le retirer de l'ensemble de rouleau à peindre.
- Retirer les capuchons du rouleau à peindre et les nettoyer avec de l'eau chaude.
- Glisser les colliers vers chaque extrémité de la tubulure et désassembler l'ensemble de rouleau à peindre tel qu'illustré.
- Nettoyer toutes les pièces dans une solution de nettoyage choisie en fonction du dernier type de peinture ou de teinture utilisée.

## REPLACEMENT DE L'ENSEMBLE VALVE DE PULVÉRISATEUR DANS LE PISTOLET

Voir la figure 21, page 17.

La valve de pulvérisateur fait en sorte que la peinture ou la teinture subit un mouvement de rotation au moment d'être expulsé du pistolet. Après avoir admis 26,5 l (7 gal) à 37,85 l (10 gal) de peinture ou de teinture, la valve de pulvérisateur peut ne plus produire une bonne forme de jet et doit être remplacée.

### Pour procéder au remplacement :

- Retirer le bloc-pile d'unité dorsale.
- Tourner l'embout de pulvérisation dans le sens antihoraire et le retirer.
- Retirer l'ensemble valve de pulvérisateur et le mettre à l'écart.
- Installer le nouvel ensemble valve de pulvérisateur.
- Replacer l'embout de pulvérisation et le tourner dans le sens horaire afin de le fixer solidement.

## RETRAIT ET PRÉPARATION DU PILES POUR LE RECYCLAGE



### AVERTISSEMENT :

Après avoir retiré le piles, couvrir ses bornes avec un ruban adhésif de qualité industrielle. Ne pas essayer de démonter ou détruire le piles, ni de retirer des composants quels qu'ils soient. Les piles épuisées doivent être recyclées ou éliminées selon une méthode appropriée. Ne jamais toucher les deux bornes avec des objets en métal ou une partie du corps, car cela pourrait créer un court-circuit. Garder hors de la portée des enfants. Le non-respect de ces mises en garde peut résulter en un incendie et/ou des blessures graves.



# DÉPANNAGE

PROBLÈME	CAUSE	SOLUTION POSSIBLE
Motor does not run.	La pile n'est pas chargée.	Charge requise.
Le moteur surchauffe.	Le piston est grippé.  Pulvérisation prolongée.	Bien nettoyer le pistolet en suivant les instructions de nettoyage en vue d'un entreposage à long terme présentées à la section <i>Entretien</i> du présent manuel.  Relâcher la gâchette à la fin de chaque passage afin de permettre au moteur de refroidir.
Le moteur émet un léger bourdonnement mais n'actionne pas la pulvérisation.	Le piston est grippé.	Bien nettoyer le pistolet en suivant les instructions de nettoyage en vue d'un entreposage à long terme présentées à la section <i>Entretien</i> du présent manuel.
Le moteur semble fonctionner correctement mais n'actionne pas la pulvérisation.	Le tube et le filtre de succion sont desserrés ou endommagés.  La valve de pulvérisateur est encrassée ou usée.  L'enduit pulvérisé est trop épais.  L'embout de pulvérisation ou le filtre d'aspiration est bouché; le piston est usé.	Réinstaller ou remplacer le tube et le filtre de succion, au besoin.  Nettoyer ou remplacer la valve de pulvérisateur.  Suivre les directives du fabricant pour diluer l'enduit, au besoin.  Bien nettoyer le pistolet. Au besoin, remplacer le piston* en suivant les instructions de nettoyage en vue d'un entreposage présentées à la section <i>Entretien</i> du présent manuel.
L'unité ne sera pas amorcée.	Le tube d'alimentation en peinture est entortillé.  L'air est retenu dans le pulvérisateur ou le rouleau.	Tirer légèrement sur le tube d'alimentation en peinture pour défaire le nœud.  Fixer le tube d'alimentation en peinture sur le rouleau ou le pulvérisateur. Appuyer sur la gâchette du rouleau ou du pulvérisateur pour libérer l'air retenu.
Le pulvérisateur crachote ou produit des bulles.	Le niveau de peinture dans le réservoir est bas.  Le matériau pulvérisé est trop épais.  Le tube de succion est desserré.  La valve de pulvérisateur est encrassée ou usée.  L'embout de pulvérisation ou le piston est usé.	Remplir le réservoir de peinture.  Suivre les directives du fabricant pour diluer l'enduit, au besoin.  Réinstaller solidement le tube de succion.  Nettoyer ou remplacer la valve de pulvérisateur.  Nettoyer ou remplacer l'embout de pulvérisation ou le piston*.
La perte de peinture ou de teinture à la pulvérisation est excessive.	L'embout de pulvérisation est trop éloigné de la zone de pulvérisation.	Tenir le pistolet près de la zone de pulvérisation.
La peinture ou la teinture coule ou dégouline sur la surface de travail.	Les méthodes de peinture appropriées ne sont pas observées.	Consulter la section intitulée <b>Utilisation du pistolet</b> présentée précédemment dans le présent manuel.
La peinture ou la teinture fuit à l'arrière de l'embout de pulvérisation.	L'embout de pulvérisation est desserré.  La valve de pulvérisateur est usée ou n'est pas disposée adéquatement.	Serrer l'embout de pulvérisation.  Remplacer la valve de pulvérisateur, au besoin.

\* Bien que cela soit improbable, il est possible que le piston s'use. Pour se procurer un piston de remplacement, communiquer avec le service à la clientèle au numéro suivant : 1-800-525-2579. Suivre les instructions décrites à la section intitulée **Nettoyage d'unité d'entreposage** afin d'accéder au piston en vue de procéder au remplacement.

**NOTE : FIGURES (ILLUSTRATIONS) COMMENÇANT SUR 15 DE PAGE APRÈS LA SECTION ESPAGNOL.**

# ÍNDICE DE CONTENIDO

■ Introducción.....	2
■ Garantía .....	2
■ Instrucciones de seguridad importantes.....	3
■ Reglas de seguridad específicas.....	4-5
■ Símbolos.....	6
■ Características.....	7
■ Armado .....	7-8
■ Funcionamiento .....	9-11
■ Mantenimiento.....	12-13
■ Corrección de problemas .....	14
■ Figura numeras (ilustraciones).....	15-17
■ Pedidos de piezas / servicio.....	Pág. posterior

## INTRODUCCIÓN

Este producto ofrece numerosas características para hacer más agradable y placentero su uso. En el diseño de este producto se ha conferido prioridad a la seguridad, el desempeño y la fiabilidad, por lo cual se facilita su manejo y mantenimiento.

## GARANTÍA

### HERRAMIENTAS ELÉCTRICAS RYOBI® – GARANTÍA LIMITADA DE DOS AÑOS Y POLÍTICA DE INTERCAMBIO A LOS 30 DÍAS

One World Technologies, Inc., garantiza sus herramientas eléctricas con las siguientes condiciones:

**POLÍTICA DE INTERCAMBIO A LOS 30 DÍAS:** Durante los primeros 30 días a partir de la fecha de compra, usted puede solicitar servicio al amparo de esta garantía o puede intercambiar cualquier herramienta eléctrica RYOBI® que no funcione correctamente debido a defectos en los materiales o en la mano de obra, devolviéndola en el establecimiento donde la adquirió. Para recibir la herramienta eléctrica de reemplazo o el servicio de garantía solicitado, debe presentar documentación de prueba de la compra, y devolver el equipo original empaquetado con el producto original. La herramienta eléctrica de reemplazo queda cubierta por la garantía limitada por el resto del período de garantía de dos años a partir de la fecha de la compra original.

**LO QUE CUBRE ESTA GARANTÍA:** Esta garantía cubre todos los defectos en material y en mano de obra empleados en la herramienta eléctrica RYOBI® por un período de dos años a partir de la fecha de compra. Con excepción de las baterías, los accesorios de las herramientas eléctricas están garantizados por noventa (90) días. Las baterías están garantizadas por dos años.

**FORMA DE OBTENER SERVICIO:** Simplemente envíe la herramienta eléctrica debidamente empaquetada y con el flete pagado por anticipado a un centro de servicio autorizado. Puede obtener información sobre la ubicación del centro de servicio autorizado más cercano escribiendo a One World Technologies, Inc., P.O. Box 1207, Anderson, SC 29622-1207, USA, llamando al 1-800-525-2579 o dirigiéndose al sitio en Internet, [www.ryobitools.com](http://www.ryobitools.com). Al solicitar servicio al amparo de la garantía, debe presentar documentación de prueba de la compra que incluya la fecha de ésta (por ejemplo un recibo de venta). Reparamos toda mano de obra deficiente del producto, y reparamos o reemplazamos cualquier pieza defectuosa, a nuestra sola discreción. Lo hacemos sin cargarle ningún costo al consumidor. Efectuamos el trabajo en un período de tiempo razonable, pero en todo caso en menos de noventa (90) días.

**LO QUE NO ESTÁ CUBIERTO:** Esta garantía se ofrece exclusivamente al comprador original al menudeo y no puede transferirse. Esta garantía sólo cubre defectos que aparezcan en el uso normal de la herramienta y no cubre ningún malfuncionamiento, falla o defecto producido por el uso indebido, maltrato, negligencia, alteración, modificación o reparación efectuada por terceros diferentes de los centros de servicio autorizados. One World Technologies, Inc. no ofrece ninguna garantía, declaración o promesa en relación con la calidad o el desempeño de sus herramientas eléctricas más que las señaladas específicamente en esta garantía.

**LIMITACIONES ADICIONALES:** Toda garantía otorgada de conformidad con las leyes estatales, incluidas las garantías de comerciabilidad o idoneidad para un uso en particular, está limitada a dos años a partir de la fecha de compra. One World Technologies, Inc. no es reponsable de daños directos, indirectos o incidentales, por lo tanto es posible que las limitaciones y exclusiones descritas arriba no se apliquen en el caso de usted. Esta garantía le confiere derechos legales específicos, y es posible que usted goce de otros derechos, los cuales pueden variar de estado a estado.

# INSTRUCCIONES DE SEGURIDAD IMPORTANTES

## **ADVERTENCIA:**

**GUARDE ESTAS INSTRUCCIONES.** Para reducir el riesgo de incendio o explosión, descarga eléctrica, y la lesiones a personas, lea y comprenda todas instrucciones incluidas en este manual. Familiarícese con todos los controles y la forma correcta de utilizar la equipo.

## **LEA TODAS LAS INSTRUCCIONES.**

### ■ **FAMILIARÍCESE CON SU HERRAMIENTA ELÉCTRICA.**

Lea cuidadosamente el manual del operador. Aprenda sus usos y limitaciones, así como los posibles peligros específicos de esta herramienta.

### **ADVERTENCIA:** Para reducir el riesgo de estallido o explosión:

- No rocíe materiales inflamables ni combustibles cerca de llamas abiertas o fuentes de ignición, como cigarrillos, motores y equipos eléctricos.
- No rocíe ni limpie con líquidos que tengan un punto de inflamación menor a 60 °C (140 °F) las unidades diseñadas para ser utilizadas sólo con materiales a base de agua o de un tipo de alcohol mineral con un punto de inflamación mínimo de 60 °C (140°F).
- La pintura o el solvente que fluyen a través del equipo pueden generar electricidad estática. La electricidad estática produce un riesgo de incendio o explosión en presencia de emanaciones de pintura o de solvente. Todas las partes del sistema rociador, incluida la bomba, el conjunto de mangueras, el rociador y los objetos situados dentro y alrededor del área de rociado, deberán tener una descarga a tierra adecuada para protegerlas contra descargas de estática y chispas.
- No use una pintura o un solvente que contenga hidrocarburos halogenados.
- Mantenga el área de rociado bien ventilada. Mantenga una buena circulación de aire fresco en el área. Mantenga el conjunto de la bomba en un área bien ventilada. No rocíe el conjunto de la bomba.
- No fume en el área donde se área de rociado.
- No utilice interruptores de luz, motores o productos similares que produzcan chispas en el área donde se área de rociado.
- Mantenga el área limpia y sin contenedores de pintura o solvente, trapos y otros materiales inflamables.
- Conozca el contenido de las pinturas y los solventes que se rocían. Lea todas las hojas de datos sobre la seguridad de materiales (MSDS) y las etiquetas de los contenedores que se proveen con las pinturas y los solventes. Siga las instrucciones de seguridad del fabricante de la pintura y el solvente.
- Tenga a mano un extinguidor de incendios que funcione.

### **ADVERTENCIA:** Para reducir el riesgo de inyección:

- No apunte la boquilla ni rocíe en dirección a personas ni animales.
- Mantenga las manos y demás partes del cuerpo lejos de la descarga. Por ejemplo, no intente detener fugas con ninguna parte del cuerpo.
- Utilice siempre la punta de rociado. No rocíe sin la punta de rociado en su lugar.
- Utilice únicamente una punta de rociado especificada por el fabricante.
- Tenga precaución al limpiar y cambiar las puntas de rociado. En el caso en que la punta de rociado se obstruya durante el rociado, siga las instrucciones del fabricante para apagar la unidad y aliviar la presión antes de retirar la punta de rociado para limpiarla.
- No deje la unidad sin supervisión cuando está activada. Cuando la unidad no está en funcionamiento, apáguela según las instrucciones del fabricante.
- El rociado a alta presión puede inyectar toxinas en el cuerpo y provocar lesiones corporales graves. En el caso en que se produzca la inyección, busque atención médica de inmediato.
- Inspeccione que las mangueras y las piezas no muestren señales de daño. Reemplace cualquier manguera o pieza dañada.
- Este sistema es capaz de producir 17 236,89 kPa (2 500 psi). Utilice solamente piezas o accesorios de repuesto especificados por el fabricante y que tengan una capacidad nominal de 17 236,89 kPa (2 500 psi), como mínimo.
- Sepa cómo detener la unidad rápidamente. Familiarícese completamente con los controles.
- Antes de hacer funcionar la unidad, verifique que todas las conexiones sean seguras.
- Para uso doméstico únicamente.

### **ADVERTENCIA:** Para reducir el riesgo de lesiones:

- No utilice la unidad ni rocíe cerca de los niños. Mantenga alejados a los niños del equipo en todo momento.
- No se estire demasiado ni se pare sobre un soporte inestable. Mantenga los pies bien asentados y el equilibrio en todo momento.
- Permanezca alerta y preste atención a lo que esté haciendo.
- No use la unidad si está cansado o se encuentra bajo los efectos de alguna droga o del alcohol.
- No retuerza ni doble en exceso la manguera.
- No exponga la manguera a temperaturas o presiones que excedan las especificadas por el fabricante.
- No retuerza ni doble en exceso la manguera.
- No exponga la manguera a temperaturas o presiones que excedan las especificadas por el fabricante.

# REGLAS DE SEGURIDAD ESPECÍFICAS

- **Mantenga las protecciones en su lugar** y en buenas condiciones de trabajo. Nunca utilice la herramienta con ninguna de las protecciones o cubiertas quitadas. Asegúrese de que todas las protecciones estén funcionando de forma correcta antes de utilizar la unidad.
- **Para reducir el riesgo de lesiones**, mantenga a alejados a niños y demás circunstantes. Todos los presentes deben llevar puestos anteojos de seguridad y permanecer a una distancia segura del área de trabajo.
- **Mantenga alejadas del área de trabajo a todas las personas**, particularmente a los niños de corta edad, y también a las mascotas.
- **Use la herramienta adecuada a la tarea.** No fuerce la herramienta ni ningún accesorio a efectuar tareas para las que no están hechos. No la use para propósitos no indicados en las instrucciones.
- **No accione el equipo cuando esté descalzo o al llevar puestas sandalias o calzado liviano similar.** Use calzado de seguridad que le proteja sus pies y mejore su postura en superficies resbaladizas.
- **Tenga suma precaución para evitar resbalarse o caer.**
- **Siempre use gafas de seguridad con protección lateral.** Los anteojos de uso diario tienen lentes resistentes a golpes únicamente; **NO** son anteojos de seguridad.
- **Utilice sólo accesorios recomendados.** El empleo de accesorios inadecuados puede presentar riesgos de lesiones.
- **Siga las instrucciones de la mantenimiento especificadas en este manual.**
- **Inspeccione las piezas dañadas.** Antes de seguir utilizando la herramienta, es necesario inspeccionar cuidadosamente toda protección o pieza dañada para determinar si funcionará correctamente y desempeñará la función a la que está destinada. Verifique la alineación de las partes móviles, que no haya atoramiento de las mismas, que no haya piezas rotas, el montaje de las piezas y cualquier otra condición que pudiera afectar su funcionamiento. Toda protección o pieza que esté dañada debe repararse apropiadamente o reemplazarse en un centro de servicio autorizado.
- **Nunca deje desatendida ninguna herramienta en funcionamiento. Apague la herramienta.** No se aleje de la herramienta hasta no verla completamente detenida.
- **Familiarícese completamente con los controles.** Aprenda a detener la máquina y a liberar rápidamente la presión.
- **Mantenga la herramienta seca, limpia y libre de aceite y grasa.** Siempre utilice un paño limpio para la limpieza de la unidad. Nunca utilice fluidos para frenos, gasolina, productos a base de petróleo ni solventes para limpiar la herramienta.
- **No utilice la herramienta si el interruptor no apaga.** Lleve todo interruptor defectuoso a un centro de servicio autorizado para que lo reparen.
- **Antes de limpiar, reparar o inspeccionar la máquina,** apague el motor y cerciórese de que se hayan detenido todas las partes en movimiento.
- **Evite tener un entorno de trabajo peligroso.** No utilice herramientas eléctricas en lugares húmedos o mojados ni las exponga a la lluvia. Mantenga bien iluminada el área de trabajo.
- **Nunca dirija un chorro de agua en dirección de personas o animales, ni hacia dispositivos eléctricos.**
- **Nunca ponga en marcha la máquina** si se ha formado hielo en cualquier parte del equipo.
- **ADVERTENCIA: Los chorros de alta presión pueden ser peligrosos si se utilizan indebidamente.** Nunca dirija el chorro a personas, animales, dispositivos eléctricos ni a la máquina misma.
- **Evite el contacto con las partes calientes de la unidad.**
- **Antes de cada uso, inspeccione los pernos y las tuercas** para verificar que están apretados. Una tuerca o perno sueltos pueden causar problemas graves en el motor.
- **Antes de guardar deje que se enfríe el producto.**
- **Guarde la unidad en un lugar frío y bien ventilado,** a una distancia segura de todo equipo generador de chispas o llamas.
- **Al dar servicio a la unidad, sólo utilice piezas de repuesto idénticas.** El empleo de piezas diferentes puede causar un peligro o dañar el producto.
- **Nunca utilice el rociador sin la punta de rociado instalada.**
- **Una lesión por inyección puede ocasionar una posible amputación.** Consulte a un médico de inmediato.
- **Nunca coloque la mano delante de la punta de rociado cuando use la unidad.** Los guantes no siempre brindan protección contra lesiones por inyección.
- **Cuando utilice la unidad, use ropa que no permita que la pintura entre en contacto con la piel ni el cabello, junto con una máscara o un respirador.** Las pinturas, los solventes y otros materiales pueden ser dañinos si se inhalan o si entran en contacto con el cuerpo.
- **Siempre desenchufe el rociador, apague la unidad y libere presión antes de dar servicio a la unidad, limpiar la punta o la protección, cambiar la punta o dejar desatendida la unidad.**




# REGLAS DE SEGURIDAD ESPECÍFICAS

- **El plástico puede provocar chispas. Nunca utilice plástico para cercar un área de rociado.** No use protecciones de plástico al rociar materiales inflamables.
- **No rocíe en exteriores en días ventosos.**
- **No intente limpiar ni destapar la punta de rociado con el dedo.**
- **Toda herramienta de baterías, ya sea de baterías integradas o de paquete de baterías separado, debe recargarse únicamente con el cargador especificado para las baterías.** Un cargador que puede ser adecuado para un tipo de baterías puede significar un riesgo de incendio si se emplea con otro tipo de baterías.
- **Utilice las herramientas de baterías sólo con el paquete de baterías específicamente indicado.** El empleo de baterías diferentes puede presentar un riesgo de incendio.
- **Cargue las pilas solamente con el cargador indicado.** Para utilizar con paquetes de baterías de níquel-cadmio de 18 V o de iones de litio de 18 V, consulte el folleto de la herramienta/aparato/paquete de baterías/cargador complementario 987000-432.
- **Desconecte el paquete de baterías de la herramienta o ponga el interruptor en la posición de aseguramiento o apagado antes de efectuar ajustes, de cambiar accesorios o de guardar la herramienta.** Con tales medidas preventivas de seguridad se reduce el riesgo de poner en marcha accidentalmente la herramienta.
- **Cuando no esté usando el paquete de baterías, manténgalo alejado de todo objeto metálico como: clips, monedas, llaves, clavos, tornillos y otros objetos metálicos pequeños que puedan establecer conexión entre ambas terminales.** Establecer una conexión directa entre las dos terminales puede causar chispas, quemaduras o incendios.
- **Las herramientas de baterías no se necesitan conectar a una toma de corriente; por lo tanto, siempre están en condiciones de funcionamiento. Esté consciente de los posibles peligros cuando no esté usando la herramienta de baterías o cuando esté cambiando los accesorios de la misma.** Con el cumplimiento de esta regla se reduce el riesgo de una descarga eléctrica, incendio o lesión corporal seria.
- **No coloque herramientas de baterías ni las baterías mismas cerca del fuego o del calor.** De esta manera se reduce el riesgo de explosiones y de lesiones.
- **No aplaste, deje caer o dañe la batería. Nunca utilice una batería o cargador que se ha caído, aplastado, recibido un golpe contundente o ha sido dañado(a) de alguna manera.** Las baterías dañadas pueden sufrir explosiones. Deseche de inmediato toda batería que haya sufrido una caída o cualquier daño.
- **Las baterías pueden explotar en presencia de una fuente de inflamación, como una luz guía.** Para reducir el riesgo de lesiones corporales serias, nunca use un producto inalámbrico en presencia de llamas expuestas. La explosión de una batería puede lanzar fragmentos y compuestos químicos. Si ha quedado expuesto a la explosión de una batería, lávese de inmediato con agua.
- **No cargue herramientas de baterías en lugares mojados o húmedos.** Con el cumplimiento de esta regla se reduce el riesgo de una descarga eléctrica.
- **Para obtener resultados óptimos, debe cargar la herramienta de baterías en un lugar donde la temperatura esté entre 50°F y 100°F. No guarde la herramienta a la intemperie ni en el interior de vehículos.**
- **En condiciones extremas de uso o temperatura las baterías pueden emanar líquido. Si el líquido llega a tocarle la piel, lávese de inmediato con agua y jabón, y después neutralice los efectos con jugo de limón o vinagre. Si le entra líquido en los ojos, láveselos con agua limpia por lo menos 10 minutos, y después busque de inmediato atención médica.** Con el cumplimiento de esta regla se reduce el riesgo de lesiones corporales serias.
- **Nunca deje desatendida ninguna herramienta con la batería instalada.**
- **Guarde estas instrucciones.** Consúltelas frecuentemente y utilícelas para instruir a otros usuarios. Si presta a alguien esta herramienta, facilítele también las instrucciones.







# SÍMBOLOS

Las siguientes palabras de señalización y sus significados tienen el objeto de explicar los niveles de riesgo relacionados con este producto.

SÍMBOLO	SEÑAL	SIGNIFICADO
	<b>PELIGRO:</b>	Indica una situación peligrosa inminente, la cual, si no se evita, causará la muerte o lesiones serias.
	<b>ADVERTENCIA:</b>	Indica una situación peligrosa posible, la cual, si no se evita, podría causar la muerte o lesiones serias.
	<b>PRECAUCIÓN:</b>	Indica una situación potencialmente peligrosa la cual, si no se evita, puede causar lesiones leves o moderadas.
	<b>PRECAUCIÓN:</b>	(Sin el símbolo de alerta de seguridad) Indica una situación que puede producir daños materiales.

Es posible que se empleen en este producto algunos de los siguientes símbolos. Le suplicamos estudiarlos y aprender su significado. Una correcta interpretación de estos símbolos le permitirá utilizar mejor y de manera más segura el producto.

SÍMBOLO	NOMBRE	DENOMINACIÓN/EXPLICACIÓN
	Alerta de seguridad	Indica un peligro posible de lesiones personales.
V	Volts	Voltaje
==	Corriente continua	Tipo o característica de corriente
PSI	Presión	La presión se mide en libras por pulgada cuadrada
GPH	Caudal	El caudal se mide según la cantidad máxima de galones de pintura que se rocía por hora
	Lea el manual del operador	Para reducir el riesgo de lesiones, el usuario debe leer y comprender el manual del operador antes de usar este producto.
	Protección ocular	Siempre póngase protección ocular con protección lateral con la marca de cumplimiento de la norma ANSI Z87.1.
	Símbolos reciclar	Este producto contiene baterías de níquel-cadmio (Ni-Cd) o iones de litio (Li-ion). Es posible que algunas leyes municipales, estatales o federales prohíban desechar las baterías de níquel-cadmio en la basura normal. Consulte a las autoridades reguladoras de desechos para obtener información en relación con las alternativas de reciclado y desecho disponibles.

# CARACTERÍSTICAS

## ESPECIFICACIONES DEL PRODUCTO

Caudal .....20,81 lph (5,5 GPH)  
Cobertura del rodillo..... 17,7 m<sup>2</sup> (58 pies cuad.)/min.  
Tamaño del tanque.....5,68 l (1,5 gal.)

Motor..... 18 V, corr. cont  
Corriente de entrada del cargador ..... 120 V, sólo corr. alt,  
60 Hz.

## CONOZCA SU MÁQUINA PARA PINTAR TIPO MOCHILA

Vea la figura 1, página 15.

El uso seguro que este producto requiere la comprensión de la información impresa en la herramienta y en el manual del operador así como ciertos conocimientos sobre el proyecto a realizar. Antes de usar este producto, familiarícese con todas las características de funcionamiento y normas de seguridad.

## GANCHO PARA GUARDAR LA UNIDAD INCORPORADO

El gancho para guardar la unidad incorporado le permite colgar el rociador para guardarlo.

## CONJUNTO DEL RODILLO PARA PINTAR

El rodillo para pintar acepta cualquier rodillo de 228,6 mm (9 pulg.) con pelo de hasta 9,53 mm (3/8 pulg.).

## ROCIADOR ELÉCTRICO DE PINTURA

La rociador eléctrico de pintura permite que usted rocíe áreas grandes rápidamente.

## PUNTAS DE ROCIADO

Las dos puntas de rociado suministradas le permiten elegir entre tres patrones de rociado diferentes: vertical, horizontal y circular.

## INTERRUPTOR

Cuando se configura el interruptor en marcha adelante, se extrae la pintura del tanque y esta fluye hacia el rodillo o hacia el rociador a fin de facilitar la aplicación de pintura. Cuando el interruptor se configura en marcha atrás, se extrae la pintura del rodillo o del rociador y se la vuelve a colocar en el tanque. En la posición central, el motor está apagado.

## DISCO DE FLUJO DE PINTURA VARIABLE

El disco de flujo de pintura variable en el mango del rodillo permite controlar el flujo de pintura de manera rápida y fácil.

# ARMADO

## DESEMPAQUETADO

Este producto requiere armarse.

- Extraiga cuidadosamente de la caja la producto y los accesorios. Asegúrese de que estén presentes todos los artículos enumerados en la lista de empaquetado.



### ADVERTENCIA:

No utilice este producto si alguna pieza incluida en la lista de empaquetado ya está ensamblada al producto cuando lo desempaqueta. El fabricante no ensambla las piezas de esta lista en el producto. Éstas deben ser instaladas por el usuario. El uso de un producto que puede haber sido ensamblado de forma inadecuada podría causar lesiones personales graves.

- Inspeccione cuidadosamente la producto para asegurarse de que no haya sufrido ninguna rotura o daño durante el transporte.

- No deseche el material de empaquetado hasta que haya inspeccionado cuidadosamente la producto y la haya utilizado satisfactoriamente.
- Si hay piezas dañadas o faltantes, le suplicamos llamar al 1-800-525-2579, donde le brindaremos asistencia.

## LISTA DE EMPAQUETADO

Máquina para pintar tipo mochila  
Rociador eléctrico de pintura  
Rodillo para pintar  
Cabezal del rodillo  
Mango del rodillo  
Tapas del rodillo (2)  
Tubo de suministro de pintura  
Válvula atomizadora de repuesto  
Lubricante  
Cepillo para limpiar  
Punta ancha en abanico de 304,8 mm (12 pulg.)  
Paquetes de batería  
Cargador  
Manual del operador

# ARMADO

## **ADVERTENCIA:**

Si falta o está dañada alguna pieza, no utilice este producto sin haber reemplazado la pieza. Usar este producto con partes dañadas o faltantes puede causar lesiones serias al operador.

## **ADVERTENCIA:**

No intente modificar esta herramienta ni hacer accesorios no recomendados para ella. Cualquier alteración o modificación constituye un uso indebido, y puede crear una situación peligrosa que culmine en lesiones corporales graves.

## **ADVERTENCIA:**

No conecte la unidad a la toma de corriente antes de terminar de armarla. De lo contrario, la unidad puede ponerse en marcha accidentalmente, con el consiguiente riesgo de lesiones graves.

## **CONEXIÓN/DESCONEXIÓN DEL TUBO DE SUMINISTRO DE PINTURA A LA MÁQUINA PARA PINTAR TIPO MOCHILA**

*Vea las figuras 2 y 3, página 15.*

La pintura se traslada del tanque de la mochila al rociador o al rodillo a través del tubo de suministro de pintura

**NOTA:** Si su tubo de suministro de pintura tiene extremos diferentes, el extremo con la válvula de retención debe conectarse a la mochila, y el extremo sin válvula debe conectarse al rociador o al rodillo.

### **Para conectar los tubos de suministro de pintura a la máquina:**

- Empuje el conector en el extremo del tubo de suministro de pintura dentro de la salida principal de conexión rápida hasta que escuche un chasquido. Tire del tubo para garantizar que esté debidamente asegurado.

### **Para desconectar el tubo de suministro de pintura de la máquina:**

- Sostenga el tubo con la mano y presione el botón de liberación.

## **ARMADO DEL RODILLO PARA PINTAR**

*Vea la figura 4, página 15.*

- Coloque las tapas del rodillo en cada extremo del rodillo para pintar.
- Alinee los pasadores en el extremo de cada tapa del rodillo, con los agujeros dentro del cabezal del rodillo. Empuje hacia afuera del lado del cabezal del rodillo hasta que el rodillo entre en su lugar.
- Oprima los pestillos laterales del mango del rodillo.
- Introduzca el collar del cabezal del rodillo en el orificio del mango hasta que esté completamente asentado.
- Suelte los pestillos para fijar el cabezal del rodillo.

## **CONEXIÓN DEL TUBO DE SUMINISTRO DE PINTURA AL CONJUNTO DEL RODILLO PARA PINTAR O AL ROCIADOR ELÉCTRICO DE PINTURA**

*Vea las figuras 5 y 6, páginas 15 y 16.*

### **Conexión del tubo de suministro de pintura al rociador:**

- Empuje el conector en el extremo del tubo de suministro de pintura dentro de la salida principal de conexión rápida hasta que escuche un chasquido. Tire del tubo para garantizar que esté debidamente asegurado.
- Dejando una pequeña cantidad de holgura en el tubo de suministro, pellizque el tubo levemente y colóquelo a través de la abertura del rociador de pintura, comenzando por la parte posterior. Para levantar el protector a fin de poder colocar el tanque de suministro en la parte delantera, oprima el gatillo del interruptor.

**NOTA:** Empuje el tubo hasta la parte posterior de la abertura.

- Suelte el gatillo para bajar el protector, luego tire suavemente del tubo de suministro que se encuentra en la parte trasera del rociador de pintura para asegurarse de que el tubo esté asentado firmemente.
- Enchufe el cordón de corriente de CC del rociador a la toma de corriente de la mochila.

### **Conexión del tubo de suministro de pintura al conjunto del rodillo:**

- Empuje el conector en el extremo del tubo de suministro de pintura dentro de la salida principal de conexión rápida hasta que escuche un chasquido. Tire del tubo para garantizar que esté debidamente asegurado

# FUNCIONAMIENTO

## ADVERTENCIA:

No permita que su familiarización con este producto le vuelva descuidado. Tenga presente que un descuido de un instante es suficiente para causar una lesión grave.

## ADVERTENCIA:

Siempre póngase protección ocular con protección lateral con la marca de cumplimiento de la norma ANSI Z87.1. La inobservancia de esta advertencia podría ocasionar la entrada de fluidos en sus ojos y provocar lesiones graves.

## ADVERTENCIA:

No utilice ningún aditamento o accesorio no recomendado por el fabricante de esta herramienta. El empleo de aditamentos o accesorios no recomendados podría causar lesiones serias.

## USOS

Este producto puede emplearse para el fines enumerado abajo:

- Pinturas y barnices para interiores y exteriores para terrazas, muebles de exteriores, cercas y paredes

Este producto acepta baterías de iones de litio de 18 V y de níquel-cadmio de 18 V. El período de funcionamiento obtenible con cada carga depende del tipo de trabajo hecho.

Para ver las instrucciones de carga completas, consulte los manuales del operador del paquete de baterías Ryobi One+ y los modelos de cargador.

## CARACTERÍSTICAS DE PROTECCIÓN DE LAS BATERÍAS

Las baterías de iones de litio Ryobi de 18 V están diseñadas con características que protegen las celdas de iones de litio y maximizan la duración de las baterías.

Si la herramienta se detiene durante el uso, suelte el gatillo para reiniciarla y reanude el funcionamiento. Si aun así no funciona, se debe recargar la batería.

## PARA DESMONTAR Y MONTAR EL PAQUETE DE BATERÍAS

Vea la figura 7, página 16.

## ADVERTENCIA:

Retire siempre el paquete de baterías de la herramienta antes de instalar las piezas, realizar ajustes, limpiarla o cuando no la utilice. Retirar el paquete de baterías evitará que la unidad se accione accidentalmente y provoque lesiones graves.

## Para conectar:

- Coloque el paquete de baterías en la herramienta, alineando la costilla realizada del paquete de baterías con el receptáculo para baterías de la herramienta.
- Asegúrese de que los pestillos situados en ambos lados del paquete de baterías entren completamente en su lugar con un chasquido y de que el paquete quede bien fijo en la herramienta antes de empezar a utilizar la unidad.

## Para el desmontaje:

- Localice los pestillos situados en el costado del paquete de baterías y oprimalos en ambos lados para liberar éste de la herramienta y retire el paquete de baterías.

## ADVERTENCIA:

Las herramientas de baterías siempre están en condiciones de funcionamiento. Por lo tanto, siempre debe estar asegurado el interruptor cuando no esté usándose o el operador lo lleve por un lado.

## ADVERTENCIA:

Riesgo de incendio o explosión. El área de rociado debe estar bien ventilada y lejos de chispas o llamas.

## CARGA DE LATAS DE PINTURA EN LA MÁQUINA

Vea la figura 8, página 16.

Retire y deseche cualquier capa que se haya formado en la superficie de la pintura o del tinte, luego mezcle bien el material en su contenedor original antes de comenzar a pintar.

**NOTA:** Es posible que se deba filtrar los contenedores de tinte y pintura más antiguos antes de usar el rociador.

El tanque de la mochila tiene capacidad para hasta 5,68 l (1,5 gal.).

- Retire el paquete de baterías, si está instalado.
- Abra la tapa del tanque de la mochila.
- Vierta cuidadosamente hasta 5,68 l (1,5 gal.) de pintura o tinte dentro del tanque.
- Cierre la tapa del tanque y presiónela firmemente. Asegúrese de que el tubo de entrada y el filtro entren completamente hasta que hagan tope con la parte inferior del tanque, y que la manguera de recirculación también esté completamente asentada en el tanque.

## INTERRUPTOR DEL MOTOR

Vea la figura 9, página 16.

- Para pintar, configure el interruptor en la posición de marcha adelante. En marcha adelante, la máquina traslada la pintura desde el tanque hasta el rociador o el rodillo.

# FUNCIONAMIENTO

- Cuando se configura el interruptor en posición de marcha atrás, la máquina extrae nuevamente la pintura por los tubos de pintura y esta fluye hacia el tanque y deja menos producto por limpiar.
- En la posición central, la unidad está apagada.

## AJUSTE DE LAS CORREAS DEL ARNÉS Y DE LA CINTURA

Las correas deben ajustarse a una posición cómoda antes de arrancar la unidad.

### Para ajustar el conjunto de las correas del arnés:

Hay tres posibles alturas a las que puede ajustarse el arnés fácilmente.

- Deslice la hebilla superior del arnés desde la ranura de ajuste hasta la posición correspondiente a la altura deseada.
- Apriete (tirando de la correa hacia abajo) o afloje (levantando la orejeta de la hebilla de la correa) cada correa del arnés según sea necesario, hasta dejar cada una en una posición cómoda para trabajar.
- Las correas del pecho deben apretarse o aflojarse hasta dejarlas en una posición cómoda para trabajar.

### Para ajustar el conjunto de las correas de la cintura:

- Las correas de la cintura deben apretarse o aflojarse hasta dejarlas en una posición cómoda para trabajar.



### ADVERTENCIA:

Para reducir el riesgo de inyección, no apunte el rociador a ninguna parte del cuerpo ni a otra persona. En el caso de inyección en la piel, busque atención médica de inmediato. No utilice la unidad sin la punta de rociado en su lugar.

## FUNCIONAMIENTO DEL ROCIADOR

Vea las figuras 10 a 12, página 16, y las figuras 18 y 19, página 17.

- Coloque una línea de lubricante en el pistón. Para tener acceso al pistón, siga las instrucciones en **Cómo limpiar el unidad para almacenamiento** de la sección *Mantenimiento* de este manual.
- Asegúrese de que la superficie que se pintará no tenga polvo, suciedad ni grasa.
- Tape o cubra cualquier área que no deba ser pintada o teñida. Esté atento al viento que pueda provocar que la pintura o el tinte se rocíen en áreas no deseadas. Utilice siempre protecciones u otras cubiertas para proteger las áreas que no deban pintarse o teñirse.
- Llene el tanque de la mochila con no más de 5,7 l (1,5 gal.) de la pintura o el tinte deseados.

**NOTA:** Después de volver a llenar el tanque, agregue una línea de lubricante al pistón. Vea la sección *Limpieza del*

unidad para guardarlo para obtener instrucciones sobre cómo desarmar el rociador para tener acceso al pistón.

- Seleccione la punta de rociado adecuada para el patrón de rociado deseado. Vea **Selección de la punta de rociado adecuada**.
- Instale el paquete de baterías dentro de la mochila.
- Conecte el tubo de suministro de pintura tanto a la mochila como del rociador.
- Ceba la mochila:
  - Coloque el interruptor del motor en la posición de marcha adelante.
  - Apunte dentro de un cubo y oprima el gatillo del rociador para liberar el aire que está dentro de la unidad.
  - La unidad está cebada cuando la pintura está circulando por el tubo de entrada y el tubo de retorno.
  - Coloque el interruptor del motor en la posición de apagado.
- Enchufe el cordón de corriente de CC del rociador a la toma de corriente de la mochila.
- Coloque el interruptor del motor en la posición de marcha adelante.
- Tire del gatillo del interruptor para rociar pintura. Suelte el gatillo del interruptor para detener el rociado de pintura.
- Practique rociando sobre un pedazo de material de desecho para probar su patrón de rociado y para cebar la bomba antes de comenzar. Si no puede lograr un buen patrón de rociado con una cantidad de pintura o tinte pareja durante toda la aplicación, consulte la sección **Corrección de problemas** que aparece más adelante, en este manual.

**NOTA:** La bomba debe cebarse después de cada cambio de pintura y la primera vez que la utilice después de haber estado guardada. Rocíe pintura en una superficie de desecho durante, al menos, 20 segundos para cebar la bomba.

- Para producir una capa pareja sobre toda la superficie:
  - Mueva el brazo a una velocidad constante y asegúrese de mover todo el brazo, no solo la muñeca.
  - Mantenga el rociador a una misma distancia del área que se está rociando, que debe ser de entre 203,2 mm (8 pulg.) y 254 mm (10 pulg.) desde la punta del rociador hasta la superficie que se está rociando.
  - Oprima el gatillo para comenzar a rociar el material que desea pintar. Utilice el rociador en recorridos rectos horizontales o verticales sobre la superficie que se está pintando, luego, suelte el gatillo para detener la pulverización.

**NOTA:** Para obtener una calidad consistente de pulverización cuando se trabaja con pinturas decapantes, puede ser necesario mantener el gatillo oprimido entre cada recorrido.



# FUNCIONAMIENTO

- Cuando termine, desconecte el cordón de corriente de CC, después configure el interruptor en la posición de marcha atrás esto permite la pintura que no haya utilizado vuelva a tanque de la mochila. Después, retire el paquete de baterías, vuelva a colocar toda la pintura o el tinte que no haya utilizado en su contenedor original, y limpie bien el rociador.

## PRECAUCIÓN:

Es importante limpiar bien la unidad después de cada uso o al cambiar de color. Dejar que la pintura o el tinte permanezcan en una herramienta sin uso durante un período prolongado puede provocar que sus piezas y conectores móviles se agarroten.



## ADVERTENCIA:



No limpie con líquidos inflamables como decapante para pinturas, quitapinturas, limpiador para brochas, destilados de petróleo, diluyente de laca, trementina, acetona, gasolina, querosene, etc.

## SELECCIÓN DE LA PUNTA DE ROCIADO ADECUADA

Veja la figura 13, página 16.

La punta ancha en abanico de 304,8 mm (12 pulg.) tiene un patrón de rociado ancho que puede ajustarse de horizontal a vertical.

La punta redonda de 25,4 mm (1 pulg.) tiene un patrón de rociado redondo.

	Utilice una punta de ventilador redonda de 25,4 mm (1 pulg.) para materiales como pinturas látex y como pinturas y manchas al aceite. Esta redonda tiene un patrón de rociado redondo.
	Utilice una punta de ventilador de 304,8 mm (12 pulg.) de ancho para materiales como pinturas látex. Esta redonda ancha en abanico tiene un patrón de rociado ancho que puede ajustarse de horizontal a vertical.

## Para cambiar las puntas:

- Quite el paquete de baterías de la mochila.
- Retire la punta instalada girándola a la izquierda.
- Instale la punta deseada, gírela a la derecha y apriétela firmemente.

**NOTA:** La punta debe apretarse firmemente con la mano. Una punta demasiado floja o demasiado apretada puede provocar que el rociador presente fugas o daños.

## Para cambiar la dirección de la punta ancha en abanico:

- Afloje ligeramente la punta ancha en abanico girándola a la izquierda 1/4 de vuelta.
- Gire el brazo de ajuste 1/4 de vuelta hacia la dirección necesaria para cambiar la dirección del rociado de la punta.
- Al sostener el brazo de ajuste en su posición, gire la punta ancha en abanico a la derecha hasta que quede firmemente apretada.

## FUNCIONAMIENTO DEL RODILLO

Veja las figuras 14 y 15, página 17.

- Instale el paquete de baterías dentro de la mochila.
- Conecte el tubo de suministro de pintura tanto a la mochila como al mango del rodillo.
- Ceba la mochila:
  - Coloque el interruptor del motor en la posición de marcha adelante.
  - Apunte dentro de un cubo y oprima el gatillo del rodillo para liberar el aire que está dentro de la unidad.
  - La unidad está cebada cuando la pintura está circulando por el tubo de entrada y el tubo de retorno.
  - Coloque el interruptor del motor en la posición de apagado.
- Gire la perilla de ajuste de flujo para que quede completamente abierta.
- Coloque el interruptor del motor en la posición de marcha adelante.
- Oprima el gatillo. Una vez que el rodillo tenga pintura, suelte el gatillo, y oprímalo de nuevo únicamente cuando necesite más pintura.

**NOTA:** No oprima el gatillo constantemente. Para obtener resultados óptimos, cada tres pasadas, tire del gatillo durante 1 segundo, suéltelo, y luego continúe pintando.
- Una vez que la pintura esté fluyendo por el tubo de pintura y hacia el rodillo, ajuste la válvula de flujo de pintura variable para obtener la cobertura de pintura deseada.
- Para producir una capa pareja sobre toda la superficie:
  - Aplique pintura o tinte en un área de varios pies de ancho en dirección de zig-zag.
  - Pase el rodillo hacia atrás y hacia adelante repetidamente sobre la misma área hasta que toda el área quede cubierta y se borren las marcas del rodillo.
  - Si se necesitan capas adicionales, deje que la pintura o el tinte se sequen completamente entre capas.

# MANTENIMIENTO

## ADVERTENCIA:

Al dar servicio a la unidad, sólo utilice piezas de repuesto idénticas. El empleo de piezas diferentes puede causar un peligro o dañar el producto.

## ADVERTENCIA:

Siempre póngase protección ocular con protección lateral con la marca de cumplimiento de la norma ANSI Z87.1. La inobservancia de esta advertencia podría ocasionar la entrada de fluidos en sus ojos y provocar lesiones graves.

## PROCEDIMIENTOS DE MANTENIMIENTO

**NOTA:** Siempre quite el paquete de baterías de la unidad antes de realizar el servicio de la unidad.

Evite el empleo de solventes al limpiar piezas de plástico. La mayoría de los plásticos son susceptibles a diferentes tipos de solventes comerciales y pueden resultar dañados. Utilice paños limpios para eliminar la suciedad, el polvo, el aceite, la grasa, etc.

## ADVERTENCIA:

No permita en ningún momento que fluidos para frenos, gasolina, aceites penetrantes, etc., lleguen a tocar las piezas de plástico. Las sustancias químicas pueden dañar, debilitar o destruir el plástico, lo cual a su vez puede producir lesiones corporales serias.

## LIMPIEZA DEL UNIDAD

*Vea las figuras 16 a 20, página 17.*

Una vez que haya terminado su proyecto y esté listo para guardar el rociador, se recomienda realizarle una buena limpieza y lubricación.

**NOTA:** Se recomienda usar una cubeta de 18,93 l (5 gal.) para limpiar el rodillo y las mangueras. Las soluciones de limpieza recomendadas son agua caliente para productos de látex y diluyente de pintura de fórmula blanca Klean-Strip® para productos a base de aceite. Cuando termine, deseche adecuadamente toda la solución de limpieza usada.

- Ponga el interruptor en la posición de marcha atrás y permita que funcione durante, aproximadamente, 30 segundos. Esto permite que el exceso de pintura/tinte recircule desde los tubos y el rociador o el rodillo de nuevo hacia el tanque.
- Quite el paquete de baterías de la mochila.
- Retire la tapa del tanque.
- Retire el tanque de la mochila.

- Vuelva a colocar toda la pintura o el tinte que no haya utilizado en su contenedor original.
- Llene el tanque con agua templada (después de usar productos de látex) o con el diluyente de pintura de fórmula blanca Klean-Strip® (después de usar productos a base de aceite).
- Vuelva a instalar el tanque y vuelva a colocar la tapa. Asegúrese de empujar hacia abajo el tubo de entrada y el filtro hasta que hagan tope con la parte inferior del tanque.
- Instale el paquete de baterías dentro de la mochila.
- Si está utilizando el rociador, rocíe la solución sobre un pedazo de cartón u otro material de desecho. Siga rociando hasta que se haya utilizado toda la solución. Después, desconecte el cordón de corriente de CC tanto del rociador como de la mochila.
- Si estaba utilizando el rodillo, retire el rodillo del cabezal del rodillo. Sostenga el cabezal del rodillo por encima de la cubeta y tire del gatillo, y deje que la solución de limpieza pase a través del cabezal del rodillo y dentro de la cubeta.
- Apague la unidad y retire el paquete de baterías.
- Retire la tapa del tanque y retire el tanque de la mochila.
- Llene la cubeta con la solución de limpieza acorde con el último tipo de pintura o tinte que usó.  
**NOTA:** Use esta cubeta para limpiar cada pieza de la máquina conforme las retire.
- Desconecte todos los tubos y mangueras de pintura de la mochila y del rociador o del rodillo.
- Limpie todos los tubos, mangueras, conexiones y accesorios con el cepillo para limpiar y la solución de limpieza adecuada en la cubeta de 18,93 l (5 gal.).  
**NOTA:** Para efectuar una limpieza completa, retire las conexiones de cada extremo del tubo de suministro de pintura y limpie cada pieza por separado.
- Deje que todas las piezas se sequen completamente antes de volver a instalarlas y de guardar la unidad.

### PARA LIMPIAR EL ROCIADOR:

- Retire la punta de rociado instalada girándola a la izquierda y dépositela a un lado.
- Retire el conjunto de la válvula atomizadora y dépositela a un lado.
- Retire la tuerca de seguridad girándola a la izquierda.
- Deslice el conjunto de alojamiento de la bomba/la tapa del contenedor fuera del rociador.
- Tire del pistón y desprenda el alojamiento de la bomba.
- Con el cepillo para limpiar suministrado y una solución acorde con el último tipo de pintura o tinte que roció, limpie profundamente todas las piezas mencionadas arriba.

# MANTENIMIENTO

**NOTA:** Asegúrese de restregar bien dentro de la abertura del alojamiento de la bomba de tal manera que no queden restos de materiales de pintura o tinte.

## Para volver a armar la unidad:

- Coloque una línea de lubricante en el pistón.
- Deslice el resorte hacia atrás sobre el pistón.
- Introduzca el pistón y el conjunto del resorte en la parte posterior del alojamiento de la bomba.
- Vuelva a colocar el conjunto del alojamiento de la bomba/ la tapa del contenedor dentro del rociador.
- Vuelva a colocar la tuerca de seguridad en el alojamiento del motor empujándola hacia adentro mientras la gira a la derecha para asegurarla.
- Introduzca el conjunto de la válvula atomizadora en la abertura delantera del alojamiento de la bomba.
- Vuelva a colocar la punta de rociado y gire a la derecha para asegurarla.

## PARA LIMPIAR EL RODILLO PARA PINTAR:

- Levante y retire el rodillo para pintar del conjunto del rodillo para pintar.
- Tire de las tapas del rodillo, retírelas del rodillo para pintar y límpielas con agua caliente.
- Deslice las abrazaderas hacia cada extremo del colector y deje a un lado el conjunto del rodillo para pintar, como se muestra.
- Limpie todas las piezas con solución de limpieza acorde con el último tipo de pintura o tinte que usó.

## REEMPLAZO DEL CONJUNTO DE VÁLVULA ATOMIZADORA

*Vea la figura 21, página 17.*

La válvula atomizadora provoca que el material de pintura o tinte gire cuando sale del rociador. Después de entre 26,5 l (7 gal.) y 37,85 l (10 gal.) de pintura o tinte, es posible que la válvula atomizadora deje de realizar un buen patrón de rociado y sea necesario reemplazarla.

### Para reemplazar el conjunto:

- Quite el paquete de baterías de la mochila.
- Gire la punta de rociado a la izquierda y retírela.
- Retire el conjunto de válvula atomizadora y deséchelo.
- Instale el conjunto de válvula atomizadora nuevo.
- Vuelva a colocar la punta de rociado y gire a la derecha para asegurarla.

## REMOCIÓN Y PREPARACIÓN DEL PAQUETE DE BATERÍAS PARA EL RECICLADO



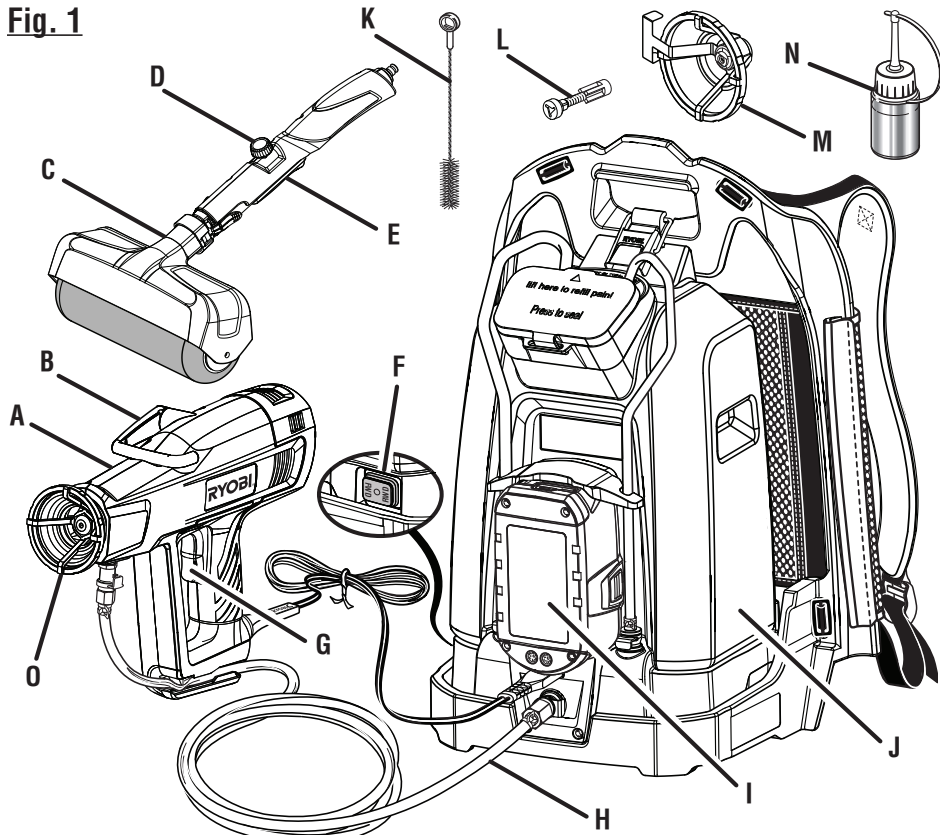
### ADVERTENCIA:

Al retirar el paquete de baterías, cubra las terminales del mismo con cinta adhesiva reforzada. No intente destruir o desarmar el paquete de baterías, ni de desmontar ninguno de sus componentes. Las baterías deben reciclarse o desecharse debidamente. Asimismo, nunca toque ambas terminales con objetos metálicos y partes del cuerpo, ya que puede producirse un corto circuito. Manténgase fuera del alcance de los niños. La inobservancia de estas advertencias puede causar incendios y lesiones corporales serias.

# CORRECCIÓN DE PROBLEMAS

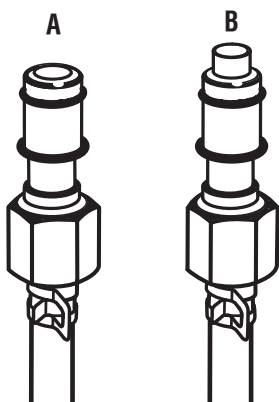
PROBLEMA	CAUSA	POSIBLE SOLUCIÓN
El motor no funciona.	La batería no está cargada.	Cargue la batería.
El motor se recalienta.	El pistón está agarrotado.  Operación de rociado continua.	Limpié bien el rociador según las instrucciones de limpieza para guardarlo durante un largo período que figuran en la sección <i>Mantenimiento</i> de este manual.  Suelte el gatillo al terminar cada pasada para dejar que el motor se enfríe.
El motor tiene un zumbido bajo, pero no rocía.	El pistón está agarrotado.	Limpié bien el rociador según las instrucciones de limpieza para guardarlo durante un largo período que figuran en la sección <i>Mantenimiento</i> de este manual.
El motor parece estar funcionando adecuadamente pero no rocía.	El tubo de succión y el filtro están flojos o dañados.  La válvula atomizadora está obstruida o desgastada.  El material que se está rociando es demasiado espeso.  La punta de rociado o el filtro de entrada están tapados; pistón desgastado.	Vuelva a instalar o reemplace el tubo de succión y el filtro, según sea necesario.  Limpié o reemplace la válvula atomizadora.  Siga las instrucciones del fabricante del material para diluir el material, según sea necesario.  Limpié bien el rociador y, de ser necesario, reemplace el pistón*, siguiendo las instrucciones de limpieza para guardar la unidad que figuran en la sección <i>Mantenimiento</i> de este manual.
La unidad no se cebará.	El tubo del suministro de pintura está retorcido.  El aire está atrapado en el rociador o el rodillo.	Tire suavemente del tubo del suministro de pintura para deshacer la torcedura.  Una el tubo del suministro de pintura y el rodillo o el rociador. Oprima el gatillo en el rodillo o el rociador para liberar el aire atrapado.
El material rociado salpica o forma globos	El volumen del contenedor de pintura está bajando.  El material que se está rociando es demasiado espeso.  El tubo de succión está flojo.  La válvula atomizadora está obstruida o desgastada.  La punta de rociado o el pistón están desgastados.	Vuelva a llenar el contenedor de pintura.  Siga las instrucciones del fabricante del material para diluir el material, según sea necesario.  Vuelva a instalar el tubo de succión firmemente.  Limpié o reemplace la válvula atomizadora.  Limpié o reemplace la punta de rociado o el pistón*.
El sobrerociado de pintura/tinte es excesivo.	La punta de rociado está demasiado lejos de la superficie que se está rociando.	Sostenga el rociador más cerca de la superficie que está rociando.
La pintura/el tinte se corre o se desprende de la superficie de trabajo.	No se están siguiendo los métodos de pintura adecuados.	Consulte la sección <b>Funcionamiento del rociador</b> que figura anteriormente en este manual.
Hay fugas de pintura/tinte detrás de la punta de rociado.	La punta de rociado está floja.  La válvula atomizadora está desgastada o no está colocada adecuadamente.	Apriete la punta de rociado.  Vuelva a colocar o a ubicar la válvula atomizadora, según sea necesario.

\* Aunque sea poco probable, puede tratarse de un pistón desgastado. Se puede comprar un pistón de repuesto llamando al servicio al cliente al 1-800-525-2579. Siga las instrucciones de la sección **Limpieza del unidad para guardarlo** para tener acceso al pistón y reemplazarlo.

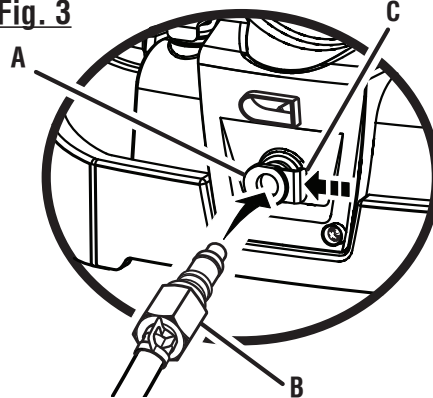
**Fig. 1**

- A - Power paint sprayer (pulvérisateur de peinture électrique, rociador eléctrico de pintura)  
 B - Storage hook (crochet de rangement, gancho para guardar)  
 C - Paint roller assembly (ensemble de rouleau à peindre, conjunto del rodillo para pintar)  
 D - Variable paint flow dial (cadran de contrôle du débit de peinture, disco de flujo de pintura variable)  
 E - Paint roller trigger (gâchette du rouleau à peindre, gatillo del rodillo para pintar)  
 F - Motor switch (interrupteur du moteur, interruptor del motor)  
 G - Sprayer trigger (gâchette du pulvérisateur, gatillo del rociador)  
 H - Paint supply tube (tube d'alimentation en peinture, tubo de suministro de pintura)

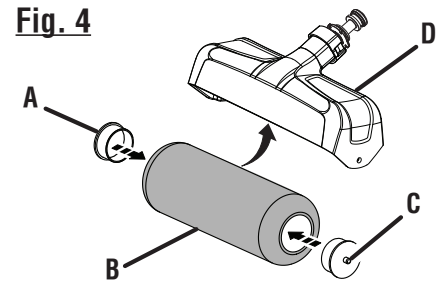
- I - Battery pack (bloc-piles, paquete de baterías)  
 J - Tank (réservoir, tanque)  
 K - Cleaning brush (brosse de nettoyage, cepillo para limpiar)  
 L - Replacement atomizer valve assembly (ensemble valve de pulvérisateur de remplacement, reemplazo del conjunto de la válvula atomizadora)  
 M - 12 in. wide fan tip [embout de pulvérisation en éventail de 304,8 mm (12 po), punta ancha en abanico de 304,8 mm (12 pulg.)]  
 N - Lubricant bottle (bouteille d'huile, botella de lubricante)  
 O - 1 in. round fan tip [embout de pulvérisation circulaire de 25,4 mm (1 po), punta redonda en abanico de 25,4 mm (1 pulg.)]

**Fig. 2**

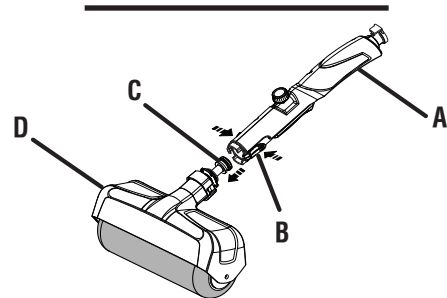
- A - End without check valve (extrémité sans clapet antiretour, extremo sin válvula de retención)  
 B - End with check valve (extrémité avec clapet antiretour, extremo con válvula de retención)

**Fig. 3**

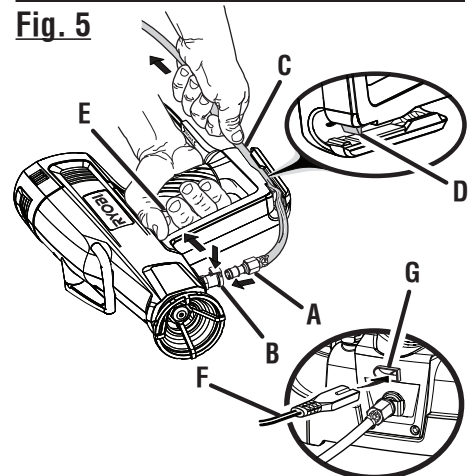
- A - Quick-connect main outlet (prise principale à connexion rapide, salida principal de conexión rápida)  
 B - Connector (connecteur, conector)  
 C - Release button (bouton de relâchement, botón de afloje)

**Fig. 4**

- A - Roller cap (capuchon du rouleau, tapa del rodillo)  
 B - Paint roller (rouleau à peindre, rodillo para pintar)  
 C - Pins (goupilles, pasadores)  
 D - Roller head (tête du rouleau, cabezal del rodillo)



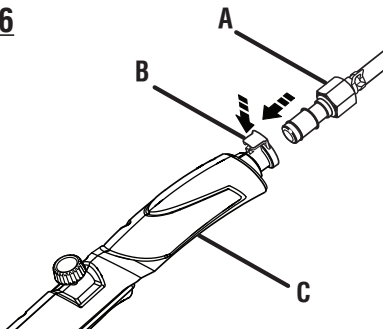
- A - Roller handle (poignée du rouleau, mango del rodillo)  
 B - Latches (loquets, pestillos)  
 C - Collar (bague, collar)  
 D - Roller head (tête du rouleau, cabezal del rodillo)

**Fig. 5**

- A - Paint supply tube connector (raccord du tube d'alimentation en peinture, conector del tubo de suministro de pintura)  
 B - Quick connect main outlet (prise principale à connexion rapide, salida principal de conexión rápida)  
 C - Paint supply tube routed through sprayer opening (tube d'alimentation en peinture acheminé dans l'ouverture du pulvérisateur, tubo de suministro de pintura colocado a través de la abertura del rociador)  
 D - Barrier (barrière, protector)  
 E - Switch trigger (gâchette, gatillo del interruptor)  
 F - Sprayer power cord (cordon d'alimentation du pulvérisateur, cordón de corriente del rociador)  
 G - Outlet on backpack unit (prise de l'unité dorsale, toma de corriente de la mochila)

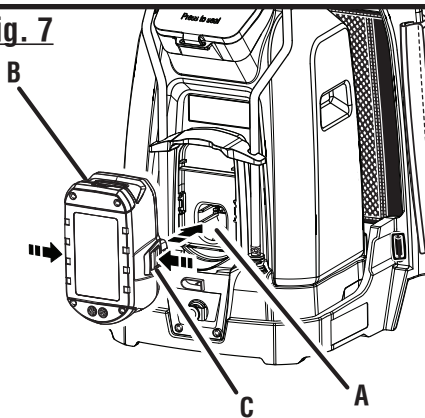


**Fig. 6**



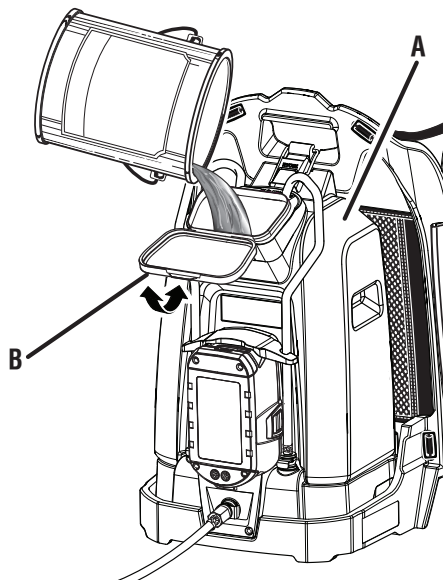
- A - Paint supply tube connector (raccord du tube d'alimentation en peinture, conector del tubo de suministro de pintura)
- B - Quick-connect main outlet (prise principale à connexion rapide, salida principal de conexión rápida)
- C - Roller handle (poignée du rouleau, mango del rodillo)

**Fig. 7**



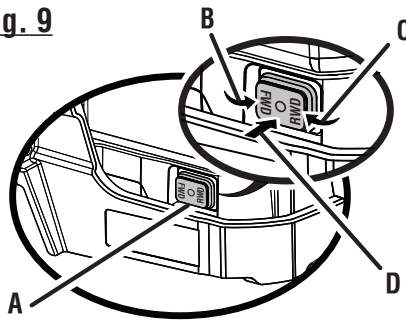
- A - Battery port (logement des piles, receptáculo de las baterías)
- B - Battery (pile, batería)
- C - Latches (loquets, pestillos)

**Fig. 8**



- A - Backpack tank (réservoir de l'unité dorsale, tanque de la mochila)
- B - Tank lid (couverture du réservoir, tapa del tanque)

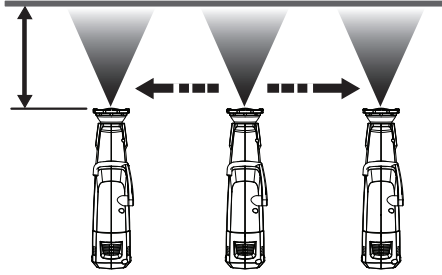
**Fig. 9**



- A - Motor switch (interrupteur du moteur, interruptor del motor)
- B - Forward (marche avant, marcha adelante)
- C - Reverse (marche arrière, marcha atrás)
- D - Off (arrêt, apagado)

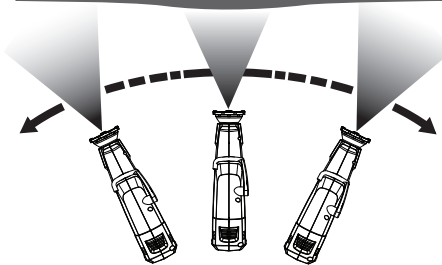
**Fig. 10**

**CORRECT SPRAY TECHNIQUE  
(BONNE TECHNIQUE DE PULVÉRISATION,  
TÉCNICA DE ROCIADO CORRECTA)**

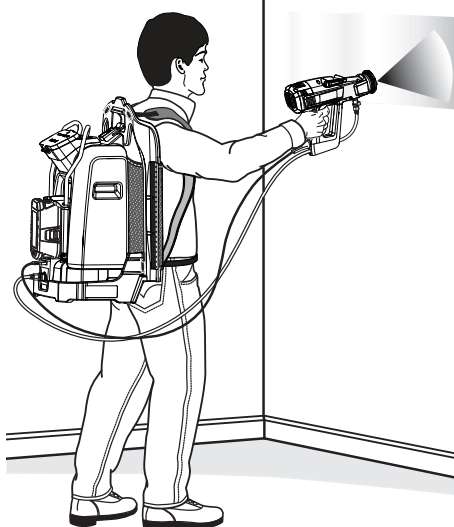


**Fig. 11**

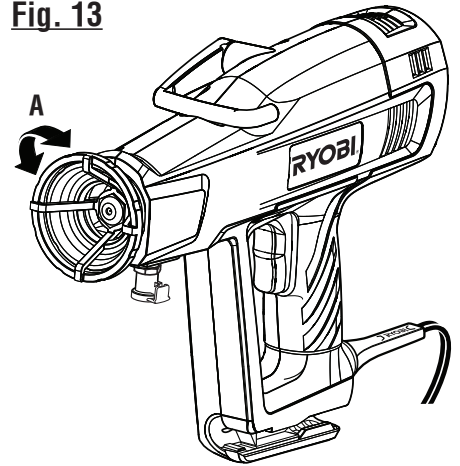
**INCORRECT SPRAY TECHNIQUE  
(MAUVAISE TECHNIQUE DE PULVÉRISATION,  
TÉCNICA DE ROCIADO INCORRECTA)**



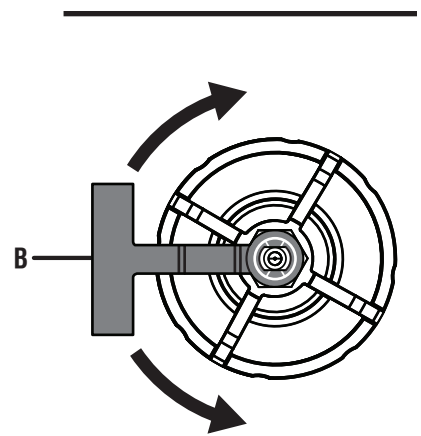
**Fig. 12**



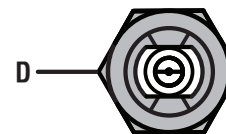
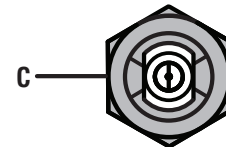
**Fig. 13**



- A - Rotate spray tip 1/4 turn counterclockwise to loosen (Tourner l'embout de pulvérisation 1/4 de tour dans le sens antihoraire pour le desserrer, Gire la punta de rociado 1/4 de vuelta a la izquierda para aflojarla)

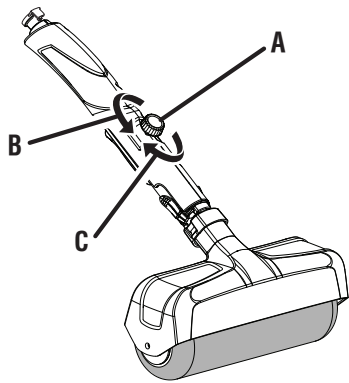


- B - Rotate adjusting arm 1/4 turn to change direction of paint spray from horizontal to vertical (tourner le bras de réglage 1/4 de tour afin de passer de la pulvérisation horizontale à la pulvérisation verticale, gire el brazo de ajuste 1/4 de vuelta para cambiar la dirección de rociado de la pintura de horizontal a vertical)



- C - Vertical spray direction (pulvérisation verticale, dirección de rociado vertical)
- D - Horizontal spray direction (pulvérisation horizontale, dirección de rociado horizontal)

**Fig. 14**

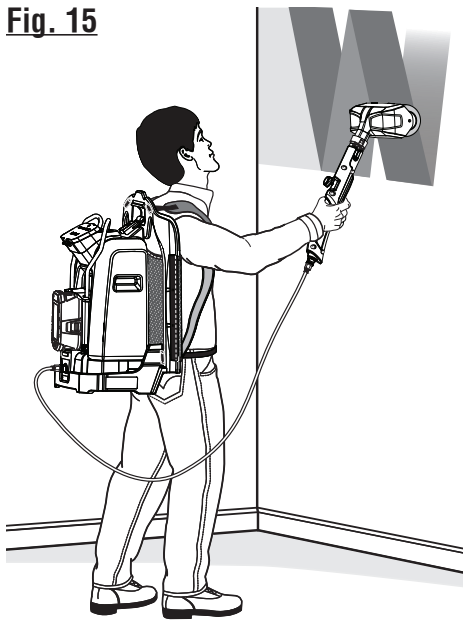


A - Flow valve (valve de contrôle du débit, válvula de flujo)

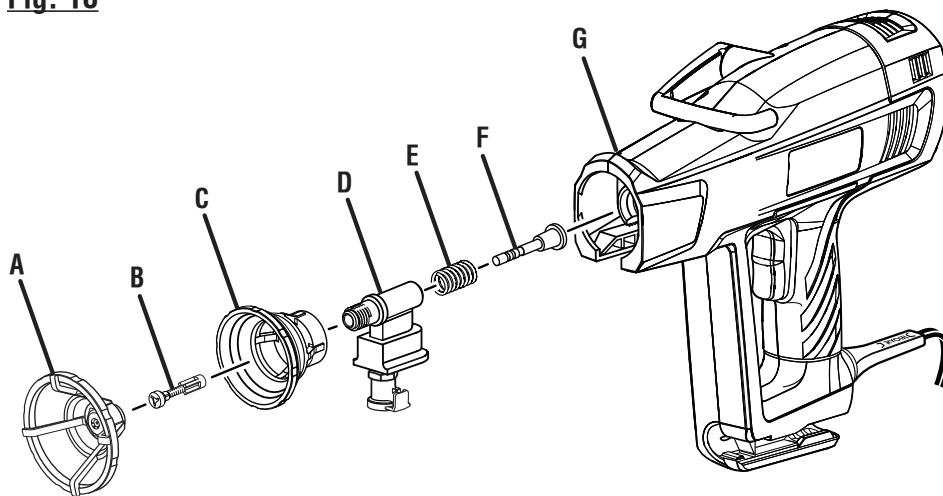
B - Open (ouverte, abrir)

C - Close (fermée, cerrar)

**Fig. 15**



**Fig. 18**

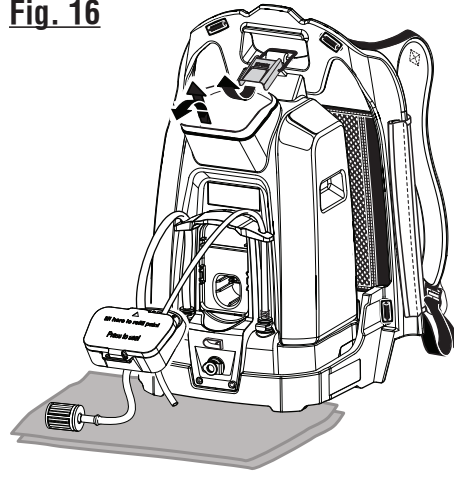


A - Spray tip (embout de pulvérisation, punta de rociado)

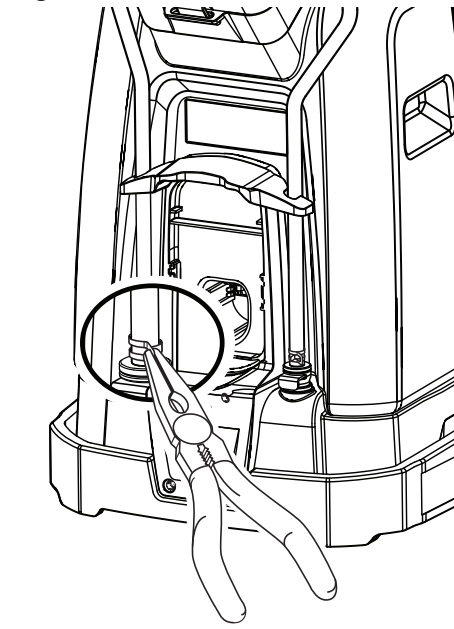
B - Atomizer valve assembly (ensemble valve de pulvérisateur, conjunto de válvula atomizadora)

C - Locking nut (écrou de verrouillage, tuerca de seguridad)

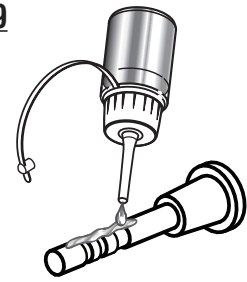
**Fig. 16**



**Fig. 17**

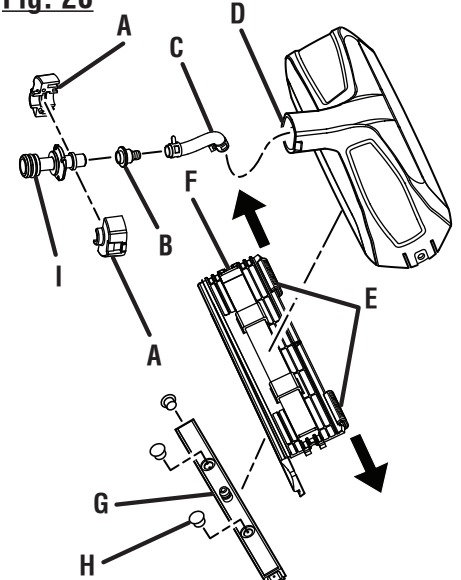


**Fig. 19**



PLACE LINE OF LUBRICANT ON PISTON SHAFT (PLACER UNE PELLICULE DE LUBRIFIANT SUR L'ARBRE DE PISTON, PLACER UNE PELLICULE DE LUBRIFIANT SUR L'ARBRE DE PISTON)

**Fig. 20**



A - Collar (collier, collar)

B - Adaptor (adaptateur, adaptador)

C - Bellows (soufflet, tubo flexible)

D - Paint shroud (déflecteur de peinture, cubierta de la pintura)

E - Clamp (bride, prensa)

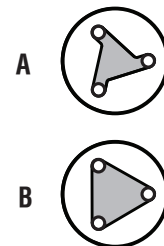
F - Manifold (tubulure, colector)

G - Feeder bar (barre d'alimentation, barra del alimentador)

H - Plugs (bouchons, tapóns)

I - Tube connector (raccord du tube, conector del tubo)

**Fig. 21**



A - Atomizer valve is good (La valve de pulvérisateur est en bon état, La válvula atomizadora está en buen estado)

B - Atomizer valve is bad and needs to be replaced (La valve de pulvérisateur est en mauvais état et doit être remplacée, La válvula atomizadora está en mal estado y necesita ser reemplazada)



**OPERATOR'S MANUAL / 18 VOLT BACKPACK PAINTER**  
**MANUEL D'UTILISATION / SYSTÈME DE PEINTURE DORSAL DE 18 V**  
**MANUAL DEL OPERADOR / MÁQUINA PARA PINTAR TIPO MOCHILA DE 18 V**

**• PARTS AND SERVICE**

Prior to requesting service or purchasing replacement parts, please obtain your model and serial number from the product data plate.

- MODEL NUMBER **P635** \_\_\_\_\_
- SERIAL NUMBER \_\_\_\_\_

**• HOW TO OBTAIN REPLACEMENT PARTS:**

Replacement parts can be purchased online at **www.ryobitools.com** or by calling 1-800-525-2579. Replacement parts can also be obtained at one of our Authorized Service Centers.

**• HOW TO LOCATE AN AUTHORIZED SERVICE CENTER:**

Authorized Service Centers can be located online at **www.ryobitools.com** or by calling 1-800-525-2579.

**• HOW TO OBTAIN CUSTOMER OR TECHNICAL SUPPORT:**

To obtain Customer or Technical Support please contact us at 1-800-525-2579.

RYOBI® is a registered trademark of Ryobi Limited used under license.

**• PIÈCES ET SERVICE**

Avant de faire la demande de service ou l'achat de pièces de remplacement, veuillez obtenir le numéro de série du modèle à partir de la plaque de données du produit.

- NUMÉRO DE MODÈLE **P635** \_\_\_\_\_
- NUMÉRO DE SÉRIE \_\_\_\_\_

**• COMMENT OBTENIR LES PIÈCES DE REMPLACEMENT :**

Les pièces de remplacement peuvent être achetées en ligne sur le site **www.ryobitools.com** ou par téléphone au 1-800-525-2579. Les pièces de remplacement peuvent être obtenues à un de nos centres de service autorisés.

**• COMMENT TROUVER UN CENTRE DE SERVICE AUTORISÉ :**

Les centres de service autorisés peuvent être localisés en ligne au **www.ryobitools.com** ou en téléphonant au 1-800-525-2579.

**• COMMENT OBTENIR DE L'AIDE EN CONTACTANT LE SERVICE À LA CLIENTÈLE :**

Pour contacter le service à la clientèle pour une question technique ou pour tout autre renseignement, veuillez nous téléphoner au 1-800-525-2579.

Ryobi® est une marque déposée de Ryobi Limited utilisée sous licence.

**• PIEZAS DE REPUESTO Y SERVICIO**

Antes de solicitar servicio técnico o comprar piezas de repuesto, obtenga su modelo y número de serie de la placa de datos del producto.

- NÚMERO DE MODELO **P635** \_\_\_\_\_
- NÚMERO DE SERIE \_\_\_\_\_

**• CÓMO OBTENER PIEZAS DE REPUESTO:**

Las piezas de repuesto se pueden comprar en nuestro sitio en la red mundial, en la dirección **www.ryobitools.com** o llamando al 1-800-525-2579. Las piezas de repuesto también se pueden obtener en uno de nuestros Centros de Servicio Autorizados.

**• CÓMO LOCALIZAR UN CENTRO DE SERVICIO AUTORIZADO:**

Puede encontrar los Centros de Servicio Autorizados visitando nuestro sitio en la red mundial, en la dirección **www.ryobitools.com** o llamando al 1-800-525-2579.

**• CÓMO OBTENER SERVICIO O ASISTENCIA TÉCNICA AL CONSUMIDOR:**

Para obtener Servicio o Asistencia Técnica al Consumidor, sírvase comunicarse con nosotros llamando al 1-800-525-2579.

Ryobi® es una marca comercial registrada de Ryobi Limited y es empleada mediante autorización.

**ONE WORLD TECHNOLOGIES, INC.**

1428 Pearman Dairy Road, Anderson, SC 29625 • Phone 1-800-525-2579  
États-Unis, Téléphone 1-800-525-2579 • USA, Teléfono 1-800-525-2579