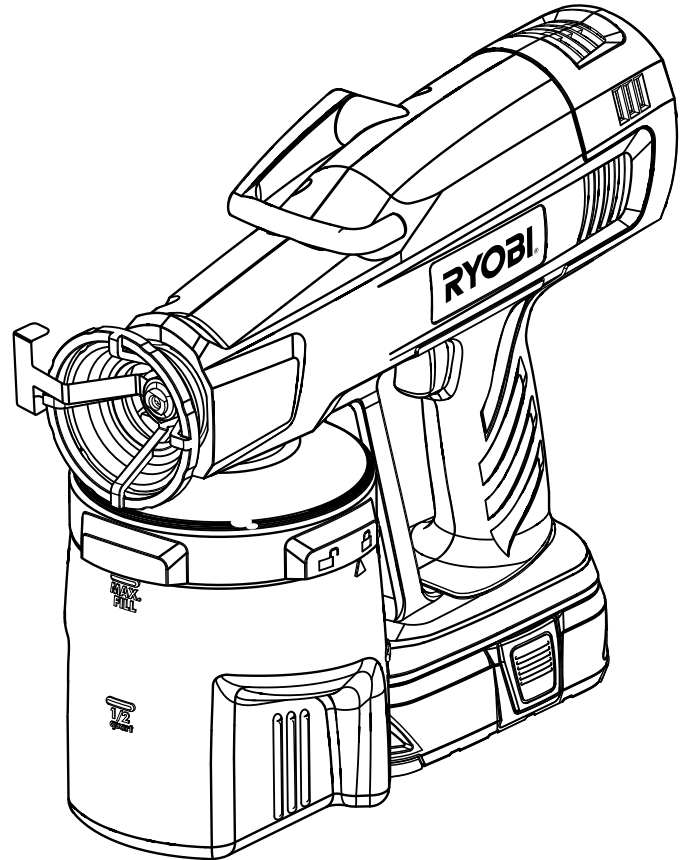




OPERATOR'S MANUAL
MANUEL D'UTILISATION
MANUAL DEL OPERADOR
18 VOLT POWER PAINT
SPRAYER TOOL
PISTOLET À PEINDRE
ÉLECTRIQUE DE 18 V
HERRAMIENTA ROCIADORA
DE PINTURA CON POTENCIA DE 18 V
P631K1



ACCEPTS ALL ONE+ BATTERY PACKS
COMPATIBLE AVEC TOUS LE PILES ONE+
ACEPTA TODOS LOS PAQUETES
DE BATERÍAS ONE+

Your power speed sprayer has been engineered and manufactured to our high standard for dependability, ease of operation, and operator safety. When properly cared for, it will give you years of rugged, trouble-free performance.

⚠ WARNING: To reduce the risk of injury, the user must read and understand the operator's manual before using this product.

Thank you for your purchase.

SAVE THIS MANUAL FOR FUTURE REFERENCE

Cette pistolet à peindre électrique a été conçue et fabriquée conformément à nos strictes normes de fiabilité, simplicité d'emploi et sécurité d'utilisation. Correctement entretenue, elle vous donnera des années de fonctionnement robuste et sans problème.

⚠ AVERTISSEMENT : Pour réduire les risques de blessures, l'utilisateur doit lire et veiller à bien comprendre le manuel d'utilisation avant d'employer ce produit.

Merci de votre achat.

CONSERVER CE MANUEL POUR
FUTURE RÉFÉRENCE

Su herramienta rociadora de pintura ha sido diseñado y fabricado de conformidad con nuestras estrictas normas para brindar fiabilidad, facilidad de uso y seguridad para el operador. Con el debido cuidado, le brindará muchos años de sólido y eficiente funcionamiento.

⚠ ADVERTENCIA: Para reducir el riesgo de lesiones, el usuario debe leer y comprender el manual del operador antes de usar este producto.

Le agradecemos su compra.

GUARDE ESTE MANUAL PARA
FUTURAS CONSULTAS

TABLE OF CONTENTS

■ Introduction	2
■ Warranty	2
■ Important Safety Instructions	3
■ Specific Safety Rules.....	4-5
■ Symbols.....	6
■ Features.....	7
■ Assembly	7
■ Operation.....	8-9
■ Maintenance.....	10
■ Troubleshooting.....	11
■ Figure Numbers (Illustrations).....	12-13
■ Parts Ordering / Service	Back page

INTRODUCTION

This product has many features for making its use more pleasant and enjoyable. Safety, performance, and dependability have been given top priority in the design of this product making it easy to maintain and operate.

WARRANTY

RYOBI® POWER TOOL - LIMITED TWO YEAR WARRANTY AND 30 DAY EXCHANGE POLICY

One World Technologies, Inc., warrants its RYOBI® power tools with the following conditions:

30-DAY EXCHANGE POLICY: During the first 30 days after date of purchase, you may either request service under this warranty or you may exchange any RYOBI® power tool which does not work properly due to defective workmanship or materials by returning the power tool to the dealer from which it was purchased. To receive a replacement power tool or requested warranty service, you must present proof of purchase and return all original equipment packaged with the original product. The replacement power tool will be covered by the limited warranty for the balance of the two year period from the date of the original purchase.

WHAT THIS WARRANTY COVERS: This warranty covers all defects in workmanship or materials in your RYOBI® power tool for a period of two years from the date of purchase. With the exception of batteries, power tool accessories are warranted for ninety (90) days. Batteries are warranted for two years.

HOW TO GET SERVICE: Just return the power tool, properly packaged and postage prepaid, to an Authorized Service Center. You can obtain the location of the Service Center nearest you by contacting a service representative at One World Technologies, Inc., P.O. Box 1207, Anderson, SC 29622-1207, by calling 1-800-525-2579 or by logging on to www.ryobitools.com. When you request warranty service, you must also present proof of purchase documentation, which includes the date of purchase (for example, a bill of sale). We will repair any faulty workmanship, and either repair or replace any defective part, at our option. We will do so without any charge to you. We will complete the work in a reasonable time, but, in any case, within ninety (90) days or less.

WHAT'S NOT COVERED: This warranty applies only to the original purchaser at retail and may not be transferred. This warranty only covers defects arising under normal usage and does not cover any malfunction, failure or defects resulting from misuse, abuse, neglect, alteration, modification or repairs by other than Authorized Service Centers. One World Technologies, Inc. makes no warranties, representations or promises as to the quality or performance of its power tools other than those specifically stated in this warranty.

ADDITIONAL LIMITATIONS: Any implied warranties granted under state law, including warranties of merchantability or fitness for a particular purpose, are limited to two years from the date of purchase. One World Technologies, Inc. is not responsible for direct, indirect, or incidental damages, so the above limitations and exclusions may not apply to you. This warranty gives you specific legal rights, and you may also have other rights which vary from state to state.

IMPORTANT SAFETY INSTRUCTIONS

WARNING:

SAVE THESE INSTRUCTIONS. To reduce the risks of fire or explosion, electric shock, and the injury to persons, read and understand all instructions included in this manual. Be familiar with the controls and the proper usage of the equipment.

READ ALL INSTRUCTIONS

- **KNOW YOUR POWER TOOL.** Read the operator's manual carefully. Learn the machine's applications and limitations as well as the specific potential hazards related to this tool.

WARNING: To reduce the risk of fire or explosion:

- Do not spray flammable or combustible materials near an open flame or sources of ignition such as cigarettes, motors, and electrical equipment.
- For units intended for use with only water-based or mineral spirit-type materials with a minimum flash point of 60°C (140°F), do not spray or clean with liquids having a flash point less than 60°C (140°F).
- Paint or solvent flowing through the equipment is able to result in static electricity. Static electricity creates a risk of fire or explosion in the presence of paint or solvent fumes.
- Do not use a paint or a solvent containing halogenated hydrocarbons.
- Keep spray area well ventilated. Keep a good supply of fresh air moving through the area. Keep pump assembly in a well-ventilated area.
- Do not smoke in the spray area.
- Do not operate light switches, engines, or similar spark-producing products in the spray area.
- Keep area clean and free of paint or solvent containers, rags, and other flammable materials.
- Know the contents of the paints and solvents being sprayed. Read all Material Safety Data Sheets (MSDS) and container labels provided with the paints and solvents. Follow the paint and solvent manufacturer's safety instructions.
- Fire extinguisher equipment shall be present and working.

WARNING: To reduce the risk of skin injection:

- Do not aim the nozzle at, or spray any person or animal.
- Keep hands and other body parts away from the discharge. For example, do not try to stop leaks with any part of the body.
- Always use the spray tip. Do not spray without spray tip in place.
- Only use a spray tip specified by the manufacturer.
- Use caution when cleaning and changing spray tips. In the case where the spray tip clogs while spraying, follow the manufacturer's instructions for turning off the unit before removing the spray tip to clean.
- Do not leave the unit energized while unattended. When the unit is not in use, turn off the unit in accordance with the manufacturer's instructions.
- High pressure spray is able to inject toxins into the body and cause serious bodily injury. In the event that injection occurs, seek medical attention immediately.
- Check parts for signs of damage. Replace any damaged parts.
- This system is capable of producing 2500 psi. Only use replacement parts or accessories that are specified by the manufacturer and that are rated a minimum of 2500 psi.
- Know how to stop the unit quickly. Be thoroughly familiar with the controls.
- Verify that all connections are secure before operating this unit.
- For household use only.

WARNING: To reduce the risk of injury:

- Do not operate or spray near children. Keep children away from equipment at all times.
- Do not overreach or stand on an unstable support. Keep effective footing and balance at all times.
- Stay alert and watch what you are doing.
- Do not operate the unit when fatigued or under the influence of drugs or alcohol.

SPECIFIC SAFETY RULES

- **Keep guards in place** and in working order. Never operate the tool with any guard or cover removed. Make sure all guards are operating properly before each use.
- **To reduce the risk of injury**, keep children and visitors away. All visitors should wear safety glasses and be kept a safe distance from work area.
- **Keep the area of operation clear of all persons**, particularly small children, and pets.
- **Use right tool.** Don't force tool or attachment to do a job it was not designed for. Don't use it for a purpose not intended.
- **Do not operate the equipment while barefoot or when wearing sandals or similar lightweight footwear.** Wear protective footwear that will protect your feet and improve your footing on slippery surfaces.
- **Exercise caution to avoid slipping or falling.**
- **Always wear safety glasses with side shields.** Everyday eyeglasses have only impact-resistant lenses; they are **NOT** safety glasses.
- **Use only recommended accessories.** The use of improper accessories may cause risk of injury.
- **Follow the maintenance instructions specified in this manual.**
- **Check damaged parts.** Before further use of the tool, a guard or other part that is damaged should be carefully checked to determine that it will operate properly and perform its intended function. Check for alignment of moving parts, binding of moving parts, breakage of parts, mounting, and any other conditions that may affect its operation. A guard or other part that is damaged must be properly repaired or replaced by an authorized service center to avoid risk of personal injury.
- **Never leave tool running unattended. Turn power off.** Don't leave tool until it comes to a complete stop.
- **Be thoroughly familiar with controls.** Know how to stop the product and bleed pressure quickly.
- **Keep tool dry, clean, and free from oil and grease.** Always use a clean cloth when cleaning. Never use brake fluids, gasoline, petroleum-based products, or any solvents to clean tool.
- **Do not use tool if switch does not turn it off.** Have defective switches replaced by an authorized service center.
- **Before cleaning, repairing, or inspecting**, shut off the motor and make certain all moving parts have stopped.
- **Avoid dangerous environment.** Don't use in damp or wet locations or expose to rain. Keep work area well lit.
- **Never direct a paint stream toward people or pets, or any electrical device.**
- **Never start the machine** if ice has formed in any part of the equipment.
- **WARNING: High pressure spray can be dangerous if subject to misuse.** The spray must not be directed at persons, animals, electrical devices, or the machine itself.
- **Keep away from hot parts.**
- **Check bolts and nuts** for looseness before each use. A loose bolt or nut may cause serious motor problems.
- **Before storing, allow the product to cool.**
- **Store in a cool, well-ventilated area**, safely away from spark and/or flame-producing equipment.
- **When servicing use only identical replacement parts.** Use of any other parts may create a hazard or cause product damage.
- **Never use the sprayer without a spray tip installed.**
- **An injection injury can lead to possible amputation.** See a physician immediately.
- **Never put your hand in front of the spray tip when in use.** Gloves will not always provide protection against an injection injury.
- **Wear clothing to keep paint off skin and hair, along with a mask or respirator during use.** Paints, solvents, and other materials can be harmful if inhaled or if they come into contact with the body.
- **Always shut the unit off, remove the battery pack, and release pressure before servicing, cleaning the tip or guard, changing the tip, or leaving unattended.**
- **Plastic can cause sparks. Never hang plastic to enclose a spray area.** Do not use plastic drop cloths when spraying flammable materials.
- **Do not spray outdoors on windy days.**
- **Do not attempt to clean or unclog the spray tip with your finger.**
- **A battery operated tool with integral batteries or a separate battery pack must be recharged only with the specified charger for the battery.** A charger that may be suitable for one type of battery may create a risk of fire when used with another battery.
- **Use battery operated tool only with specifically designated battery pack.** Use of any other batteries may create a risk of fire.
- **Use battery only with charger listed.** For use with 18V nickel-cadmium and 18V lithium-ion battery packs, see tool/appliance/battery pack/charger correlation supplement 987000-432.

SPECIFIC SAFETY RULES

- **Disconnect battery pack from tool or place the switch in the locked or off position before making any adjustments, changing accessories, or storing the tool.** Such preventive safety measures reduce the risk of starting the tool accidentally.
- **When battery pack is not in use, keep it away from other metal objects like: paper clips, coins, keys, nails, screws, or other small metal objects that can make a connection from one terminal to another.** Shorting the battery terminals together may cause sparks, burns, or a fire.
- **Battery tools do not have to be plugged into an electrical outlet; therefore, they are always in operating condition. Be aware of possible hazards when not using your battery tool or when changing accessories.** Following this rule will reduce the risk of electric shock, fire, or serious personal injury.
- **Do not place battery tools or their batteries near fire or heat.** This will reduce the risk of explosion and possibly injury.
- **Do not crush, drop or damage battery pack. Do not use a battery pack or charger that has been dropped or received a sharp blow.** A damaged battery is subject to explosion. Properly dispose of a dropped or damaged battery immediately.
- **Batteries can explode in the presence of a source of ignition, such as a pilot light.** To reduce the risk of serious personal injury, never use any cordless product in the presence of open flame. An exploded battery can propel debris and chemicals. If exposed, flush with water immediately.
- **Do not charge battery tool in a damp or wet location.** Following this rule will reduce the risk of electric shock.
- **For best results, your battery tool should be charged in a location where the temperature is more than 50°F but less than 100°F. Do not store outside or in vehicles.**
- **Under extreme usage or temperature conditions, battery leakage may occur. If liquid comes in contact with your skin, wash immediately with soap and water. If liquid gets into your eyes, flush them with clean water for at least 10 minutes, then seek immediate medical attention.** Following this rule will reduce the risk of serious personal injury.
- **Never leave a tool unattended with the battery installed.**
- **Save these instructions.** Refer to them frequently and use them to instruct other users. If you loan someone this tool, loan them these instructions also.

WARNING:




This product and some dust created by power sanding, sawing, grinding, drilling, and other construction activities contain chemicals, including lead, known to the State of California to cause cancer, birth defects and other reproductive harm. **Wash hands after handling.** Some examples of these chemicals are:

- lead from lead-based paints,
- crystalline silica from bricks and cement and other masonry products, and
- arsenic and chromium from chemically-treated lumber.






Your risk from these exposures varies, depending on how often you do this type of work. To reduce your exposure to these chemicals: work in a well ventilated area, and work with approved safety equipment, such as those dust masks that are specially designed to filter out microscopic particles.

SYMBOLS

The following signal words and meanings are intended to explain the levels of risk associated with this product.

SYMBOL	SIGNAL	MEANING
	DANGER:	Indicates an imminently hazardous situation, which, if not avoided, will result in death or serious injury.
	WARNING:	Indicates a potentially hazardous situation, which, if not avoided, could result in death or serious injury.
	CAUTION:	Indicates a potentially hazardous situation, which, if not avoided, may result in minor or moderate injury.
	CAUTION:	(Without Safety Alert Symbol) Indicates a situation that may result in property damage.

Some of the following symbols may be used on this product. Please study them and learn their meaning. Proper interpretation of these symbols will allow you to operate the product better and safer.

SYMBOL	NAME	DESIGNATION/EXPLANATION
	Safety Alert	Indicates a potential personal injury hazard.
V	Volts	Voltage
	Direct Current	Type or a characteristic of current
PSI	Pressure	Pressure is measured in pounds per square inch
GPH	Flow Rate	Flow rate is measured in maximum gallons of paint sprayed per hour
	Read The Operator's Manual	To reduce the risk of injury, user must read and understand operator's manual before using this product.
	Eye Protection	Always use eye protection with side shields marked to comply with ANSI Z87.1.
	Recycle Symbols	This product uses nickel-cadmium (Ni-Cd) and lithium-ion (Li-ion) batteries. Local, state, or federal laws may prohibit disposal of batteries in ordinary trash. Consult your local waste authority for information regarding available recycling and/or disposal options.

FEATURES

PRODUCT SPECIFICATIONS

Flow Rate	5.5 GPH	Motor	18 Volt DC
Container Size	1 qt.	Charger Input.....	120 V, 60 Hz, AC only

KNOW YOUR POWER SPEED SPRAYER

See Figure 1, page 12.

The safe use of this product requires an understanding of the information on the product and in this operator's manual as well as a knowledge of the project you are attempting. Before use of this product, familiarize yourself with all operating features and safety rules.

INNOVATIVE MOTOR DESIGN

The innovative motor design means less vibration and noise when using your sprayer.

INTEGRATED STORAGE HOOK

The integrated storage hook allows you to hang the sprayer for storage.

QUICK-LOCK CONTAINER

The quick-lock feature allows easy installation and removal of the paint container.

SPRAY TIPS

The two spray tips provided allow you to choose between different spray patterns – vertical, horizontal, and round.

ASSEMBLY

UNPACKING

This product has been shipped completely assembled.

- Carefully remove the product and any accessories from the box. Make sure that all items listed in the packing list are included.

WARNING:

Do not use this product if it is not completely assembled or if any parts appear to be missing or damaged. Use of a product that is not properly and completely assembled could result in serious personal injury.

- Inspect the product carefully to make sure no breakage or damage occurred during shipping.
- Do not discard the packing material until you have carefully inspected and satisfactorily operated the product.
- If any parts are damaged or missing, please call 1-800-525-2579 for assistance.

PACKING LIST

Power Paint Sprayer with Quick-Lock Container
and 12 in. Wide Fan Tip

Replacement Atomizer Valve	Cleaning Brush
Lubricant	1 in. Round Tip
Battery Pack	Charger
Tool Bag	Operator's Manual

WARNING:

If any parts are damaged or missing do not operate this product until the parts are replaced. Use of this product with damaged or missing parts could result in serious personal injury.

WARNING:

Do not attempt to modify this product or create accessories not recommended for use with this product. Any such alteration or modification is misuse and could result in a hazardous condition leading to possible serious personal injury.

WARNING:

Do not connect to power supply until assembly is complete. Failure to comply could result in accidental starting and possible serious personal injury.

OPERATION

WARNING:

Do not allow familiarity with this product to make you careless. Remember that a careless fraction of a second is sufficient to inflict serious injury.

WARNING:

Always wear eye protection with side shields marked to comply with ANSI Z87.1. Failure to do so could result in fluids entering your eyes resulting in possible serious injury.

WARNING:

Do not use any attachments or accessories not recommended by the manufacturer of this product. The use of attachments or accessories not recommended can result in serious personal injury.

APPLICATIONS

You may use this product for the purpose listed below:

- Interior and exterior painting and staining of decks, outdoor furniture, fences, and walls

This product will accept Ryobi One+ 18 V lithium-ion battery packs and Ryobi One+ 18 V nickel-cadmium battery packs.

For complete charging instructions, refer to the Operator's Manuals for your Ryobi One+ battery pack and charger models.

BATTERY PROTECTION FEATURES

Ryobi lithium-ion batteries are designed with features that protect the lithium-ion cells and maximize battery life.

If the tool stops during use, release the trigger to reset and resume operation. If the tool still does not work, the battery needs to be recharged.

TO INSTALL/REMOVE BATTERY PACK

See Figure 2, page 12.

WARNING:

Always remove battery pack from your tool when you are assembling parts, making adjustments, cleaning, or when not in use. Removing battery pack will prevent accidental starting that could cause serious personal injury.

To install:

- Place the battery pack in the tool. Align the raised rib on the battery pack with groove in the battery port.
- Make sure the latches on each side of the battery pack snap in place and that the battery pack is secured in the tool before beginning operation.

To remove:

- Depress the latches on both sides of the battery pack to release the battery pack and remove it from the tool.

WARNING:

Battery tools are always in operating condition. Therefore, switch should always be locked when not in use or carrying at your side.

WARNING:

Risk of fire or explosion. Spray area must be well-ventilated and away from sparks or flames.

FILLING SPRAYER WITH PAINT/STAIN

See Figures 3 - 4, page 12.

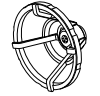
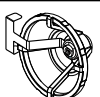
Remove and discard any skin that has formed on top of the paint or stain, then thoroughly mix the material in its original container before beginning.

NOTE: Older containers of stain and paint may need to be strained before use.

- Remove the battery pack from the sprayer.
- Remove the quick-lock container by twisting counter-clockwise so that the arrow on the container lines up with the "unlock" symbol on the lid.
- Fill the container with paint or stain as desired. Do not fill above the max fill mark on the container.
- Reinstall the container on the sprayer and twist clockwise so that the arrow on the container lines up with the "lock" symbol on the lid.

SELECTING THE PROPER SPRAY TIP

See Figure 5, page 13.

	Use the 1 in. round fan tip for latex paints and stains. This tip sprays in a round pattern.
	Use the 12 in. wide fan tip for latex paints, oil-based paints, and stains. This tip sprays in a wide pattern that can be adjusted from horizontal to vertical.

To switch tips:

- Remove the battery pack from the sprayer.
- Remove the installed tip by turning it counter-clockwise.
- Install the desired tip and rotate clockwise to tighten securely.

NOTE: The tip should be tightened securely by hand. A too loose or overtightened tip may cause the sprayer to leak or be damaged.

OPERATION

To change direction of wide fan tip:

- Slightly loosen the wide fan tip by rotating counter-clockwise 1/4 turn.
- Rotate the adjusting arm 1/4 turn in the direction needed to switch the direction of the tip spray.
- While holding the adjusting arm in position, rotate the wide fan tip clockwise until securely tightened.

WARNING:

To reduce the risk of injection, do not point sprayer at any part of the body or person. In case of skin injection, seek medical attention immediately. Do not use without spray tip in place.

OPERATING THE SPRAYER

See Figures 6 - 9, page 13.

- Place a line of lubricant on the piston. To gain access to the piston, follow the instructions in **Cleaning the Sprayer for Storage** in the *Maintenance* section of this manual.
- Ensure surface to be painted is free of dust, dirt, and grease.
- Mask or cover any areas not intended to be painted or stained. Be aware of wind that may cause your paint or stain to spray into areas not desired. Always use drop cloths or other cover to protect areas that are not intended to be painted or stained.
- Fill the quick-lock container with no more than 1 quart of desired paint or stain.
NOTE: After every 4 refills of the quick-lock container, add a line of lubricant to the piston. See **Cleaning the Sprayer for Storage** for instructions on disassembling the sprayer to gain access to the piston.
- Select the proper spray tip for desired spray pattern.
- Install the battery pack in the sprayer.
- Pull the switch trigger to spray paint. Release the switch trigger to stop paint spray.
- Practice spraying on a piece of scrap material to test your spray pattern and to prime the pump before beginning. If you cannot get a good spray pattern with an even amount of paint or stain throughout, refer to the **Troubleshooting** section later in this manual.

NOTE: The pump must be primed after every paint change and at first use after storing. Spray paint at a scrap surface for at least 20 seconds to prime.

- To create an even coating over the entire surface:
 - Move your arm at a steady rate of speed and make sure to move your entire arm, not just your wrist.
 - Keep the sprayer an even distance from the area being sprayed, which should be between 8 to 10 inches from the tip of the sprayer to the surface being sprayed.
 - Depress the trigger to begin the spray off the material you want to paint. Operate the sprayer in straight horizontal or vertical strokes across the surface being painted, then release the trigger off the material to end the stroke.

NOTE: For spray quality consistency when using thinner paints, it may be necessary to keep the trigger depressed between strokes.

- When finished, remove the battery pack, return any unused paint or stain to its original container, and thoroughly clean the sprayer.

CAUTION:

It is important to thoroughly clean the sprayer after each use or when changing colors. Allowing paint or stain to remain in an idle tool for an extended period can cause its moving pieces to seize up.

WARNING:

Do not clean with any flammable liquids such as paint stripper, paint remover, brush cleaner, mineral spirits, lacquer thinner, turpentine, acetone, gasoline, kerosene, etc.

CLEANING THE SPRAYER AFTER USE

The solution used to clean the sprayer is determined by the type of material that has been sprayed. For anything other than latex material, use Klean-Strip® Revolutionary White Formula Paint Thinner, Klean-Strip® Green Safer Paint Thinner, CROWN® Paint Thinner NEXT, or any other non-flammable paint thinner (following the use of oil-based products). Follow the material manufacturer's directions for appropriate clean-up.

To clean the sprayer for short term storage:

- Remove the battery pack from the sprayer.
- If you haven't already done so, remove the paint container and return any unused paint or stain to its original container.
- Fill the paint container with lukewarm water (following the use of latex products) or Klean-Strip® Revolutionary White Formula Paint Thinner, Klean-Strip® Green Safer Paint Thinner, CROWN® Paint Thinner NEXT, or any other non-flammable paint thinner (following the use of oil-based products).
- Reinstall the paint container.
- Install the battery pack in the sprayer.
- Spray the solution onto a piece of cardboard or other scrap material. Continue spraying until all the solution is used.
- Remove the battery pack from the sprayer.
- Place a line of lubricant on the piston. To gain access to the piston, follow the instructions in **Cleaning the Sprayer for Storage** in the *Maintenance* section of this manual.
- Use a damp cloth to wipe the exterior of the sprayer. The unit is now ready to put away.

MAINTENANCE

WARNING:

When servicing, use only identical replacement parts. Use of any other parts may create a hazard or cause product damage.

WARNING:

Always wear eye protection with side shields marked to comply with ANSI Z87.1. Failure to do so could result in fluids entering your eyes resulting in possible serious injury.

MAINTENANCE PROCEDURES

NOTE: Always remove the battery pack from the unit before attempting a service operation.

Avoid using solvents when cleaning plastic parts. Most plastics are susceptible to damage from various types of commercial solvents and may be damaged by their use. Use clean cloths to remove dirt, dust, oil, grease, etc.

WARNING:

Do not at any time let brake fluids, gasoline, penetrating oils, etc., come in contact with plastic parts. Chemicals can damage, weaken, or destroy plastic which may result in serious personal injury.

CLEANING THE SPRAYER FOR STORAGE

See Figures 8 - 9, page 13.

When you've finished your project and are ready to store the sprayer, a thorough cleaning and lubrication is recommended.

- Remove the battery pack from the sprayer.
- Remove the paint container.
- If you haven't already done so, return any unused paint or stain to its original container.
- Fill the paint container with lukewarm water (following the use of latex products) or Klean-Strip® Revolutionary White Formula Paint Thinner, Klean-Strip® Green Safer Paint Thinner, CROWN® Paint Thinner NEXT, or any other non-flammable paint thinner (following the use of oil-based products).
- Reinstall the paint container.
- Install the battery pack in the sprayer.
- Spray the solution onto a piece of cardboard or other scrap material. Continue spraying until all the solution is used.
- Remove the battery pack from the sprayer.
- Remove the paint container.
- Remove the suction tube and filter.
- Remove the installed spray tip by turning it counterclockwise.
- Remove the atomizer valve assembly.
- Remove the locking nut by turning it counterclockwise.

- Slide the pump housing assembly/container lid forward off the sprayer.
- Pull the piston and spring off the pump housing.
- Using the cleaning brush provided and the solution determined by the last type of paint or stain sprayed, clean all of the above parts thoroughly.

NOTE: Make sure to scrub thoroughly inside the pump housing opening so that no paint or stain material is left behind.

- Clean the vent hole in the pump housing using a straightened paper clip or toothpick.

To reassemble:

- Place a line of lubricant on the piston.
- Slide the spring back onto the piston.
- Insert the piston and spring assembly inside the back of the pump housing.
- Replace the pump housing assembly/container lid into the sprayer.
- Replace the locking nut on the motor housing by pushing in while rotating clockwise to secure.
- Insert the atomizer valve assembly into the pump housing front opening.
- Replace the spray tip and rotate clockwise to secure.
- Reinstall the suction tube and filter.
- Reinstall the paint container.
- The sprayer is now ready to be stored.

REPLACING ATOMIZER VALVE ASSEMBLY

See Figure 10, page 13.

The atomizer valve causes the paint or stain material to spin as it comes out of the sprayer. After 7 to 10 gallons of paint or stain, the atomizer valve may no longer produce a good spray pattern and may need to be replaced.

To replace:

- Remove the battery pack from the sprayer.
- Rotate the spray tip counterclockwise and remove.
- Remove the atomizer valve assembly and discard.
- Install the new atomizer valve assembly.
- Replace the spray tip and rotate clockwise to secure.

BATTERY PACK REMOVAL AND PREPARATION FOR RECYCLING

WARNING:

Upon removal, cover the battery pack's terminals with heavy-duty adhesive tape. Do not attempt to destroy or disassemble battery pack or remove any of its components. Lithium-ion and nickel-cadmium batteries must be recycled or disposed of properly. Also, never touch both terminals with metal objects and/or body parts as short circuit may result. Keep away from children. Failure to comply with these warnings could result in fire and/or serious injury.

TROUBLESHOOTING

PROBLEM	CAUSE	POSSIBLE SOLUTION
Motor does not run.	Battery is not charged.	Charge battery.
Motor overheats.	Piston has seized up. Continuous spray operation.	Thoroughly clean the sprayer using long-term storage cleaning instructions in the <i>Maintenance</i> section of this manual. Release trigger at the end of each pass to allow the motor to cool.
Motor has a low hum but does not spray.	Piston has seized up.	Thoroughly clean the sprayer using long-term storage cleaning instructions in the <i>Maintenance</i> section of this manual.
Motor seems to be running properly but doesn't spray.	Suction tube and filter are loose or damaged. Atomizer valve is clogged or worn out. Material being sprayed is too thick. Plugged spray tip or intake filter; worn piston.	Reinstall or replace suction tube and filter as needed. Clean or replace atomizer valve. Follow material manufacturer's directions and thin material as needed. Thoroughly clean the sprayer and, if necessary, replace piston*, using storage cleaning instructions in the <i>Maintenance</i> section of this manual.
Sprayed material is spitting or globbing up.	Paint container volume is getting low. Material being sprayed is too thick. Suction tube is loose. Atomizer valve is clogged or worn out. Worn spray tip or piston. Paint has been shaken and has air pockets.	Refill paint container. Follow material manufacturer's directions to thin material as needed. Reinstall suction tube securely. Clean or replace atomizer valve. Clean or replace spray tip or piston*. Allow paint to sit for approximately 1 hour to settle, then try again.
Paint/stain spray overspray is excessive.	Spray tip is too far from the surface being sprayed.	Hold sprayer closer to the surface being sprayed.
Paint/stain runs or sags on the work surface.	Proper paint methods not being observed.	Refer to Operating the Sprayer earlier in this manual.
Paint/stain is leaking behind the spray tip.	Spray tip is loose. Atomizer valve is worn or not positioned properly.	Tighten spray tip. Replace or reposition atomizer valve as needed.

* Although unlikely, a worn piston is possible. A replacement piston can be purchased by calling customer service at 1-800-525-2579. Follow the instructions in **Cleaning the Sprayer for Storage** to access the piston for replacement.

NOTE: FIGURES (ILLUSTRATIONS) START ON PAGE 12 AFTER FRENCH AND SPANISH LANGUAGE SECTIONS.

TABLE DES MATIÈRES

■ Introduction	2
■ Garantie	2
■ Instructions importantes concernant la sécurité	3-4
■ Règles de sécurité particulières	5
■ Symboles.....	6-7
■ Caractéristiques électriques.....	7-8
■ Caractéristiques	8
■ Assemblage.....	9
■ Utilisation.....	9-11
■ Entretien	12
■ Dépannage	13
■ Figure numéros (illustrations).....	14-15
■ Commande de pièces / réparation.....	Page arrière

INTRODUCTION

Ce produit offre de nombreuses fonctions destinées à rendre son utilisation plus plaisante et satisfaisante. Lors de la conception de ce produit, l'accent a été mis sur la sécurité, les performances et la fiabilité, afin d'en faire un outil facile à utiliser et à entretenir.

GARANTIE

OUTILS ÉLECTRIQUES RYOBI® – GARANTIE LIMITÉE DE DEUX ANS ET POLITIQUE D'ÉCHANGE DE 30 JOURS

One World Technologies, Inc., garantit ses outils électriques dans les conditions suivantes :

POLITIQUE D'ÉCHANGE DE 30 JOURS : En cas de défaillance due à des vices de matériaux ou de fabrication au cours des 30 jours suivant la date d'achat, l'acheteur pourra faire réparer tout outil électrique RYOBI® au titre de cette garantie ou le retourner l'établissement où il a été acheté. Pour obtenir un outil en échange ou demander la réparation en garantie, l'équipement complet devra être retourné, dans son emballage d'origine, accompagné d'une preuve d'achat. L'outil fourni en échange sera couvert par la garantie limitée pour le restant de la période de validité de deux ans à compter de la date d'achat.

CE QUI EST COUVERT PAR LA GARANTIE : Cette garantie couvre tous les vices de matériaux et de fabrication de cet outil électrique RYOBI®, pour une période de deux ans, à compter de la date d'achat. À l'exception des batteries, les accessoires sont garantis pour une période de quatre-vingt-dix (90) jours. Les batteries sont garanties deux ans.

RÉPARATIONS SOUS GARANTIE : Il suffit de retourner l'outil, correctement emballé, en port payé, à un centre de réparations agréé. L'adresse du centre de réparations agréé le plus proche peut être obtenue en contactant un représentant du service après-vente par courrier, à l'adresse One World Technologies, Inc., P.O. Box 1207, Anderson, SC 29622-1207, par téléphone au 1-800-525-2579 ou par courriel, à l'adresse Internet www.ryobitools.com. Lors de toute demande de réparation sous garantie, une preuve d'achat datée (par exemple un reçu de vente) doit être fournie. Nous nous engageons à réparer tous les défauts de fabrication et à réparer ou remplacer, à notre choix, toutes les pièces défectueuses. Les réparations et remplacements seront gratuits. Les réparations sous garantie seront effectuées dans un délai raisonnable, ne dépassant en aucun cas quatre-vingt-dix (90) jours.

CE QUI N'EST PAS COUVERT : La garantie ne couvre que l'acheteur au détail original et n'est pas transférable. Cette garantie ne couvre que les défauts résultant d'une utilisation normale. Elle ne couvre pas les problèmes de fonctionnement, défaillances ou autres défauts résultant d'un usage incorrect ou abusif, de la négligence, de la modification, de l'altération ou de réparations effectuées par quiconque autre qu'un centre de réparations agréé. One World Technologies, Inc. ne fait aucune autre garantie, représentation ou promesse concernant la qualité et les performances de cet outil électrique, autres que celles expressément indiquées dans le présent document.

AUTRES LIMITATIONS : Toutes les garanties implicites accordées par les lois en vigueur, y compris les garanties de valeur marchande ou d'adéquation à un usage particulier, sont limitées à une durée de deux ans, à compter de la date d'achat. One World Technologies, Inc. déclinant toute responsabilité pour les dommages directs ou indirects, les limitations et exclusions peuvent ne pas s'appliquer à chaque acheteur. Cette garantie donne au consommateur des droits spécifiques, et celui-ci peut bénéficier d'autres droits, qui varient selon les états ou provinces.

INSTRUCTIONS IMPORTANTES CONCERNANT LA SÉCURITÉ



AVERTISSEMENT :

CONSERVER CES INSTRUCTIONS. Pour réduire les risques d'incendie ou d'explosion, choc électrique, et la blessure aux personnes lire et veiller à bien comprendre toutes instructions incluses le manuel. Familiarisez-vous avec toutes les commandes et l'utilisation correcte de l'équipement.

LIRE TOUTES LES INSTRUCTIONS

- **APPRENDRE À CONNAÎTRE L'OUTIL.** Lire attentivement le manuel d'utilisation. Apprendre les applications et les limites de l'outil, ainsi que les risques spécifiques relatifs à son utilisation.

AVERTISSEMENT : Pour réduire les risques d'incendie ou d'explosion :

- Ne pas pulvériser de substances inflammables ou combustibles à proximité des flammes vives ou des sources d'inflammation comme les cigarettes, les moteurs et l'équipement électrique.
- Dans le cas des unités uniquement compatibles avec des substances à base d'eau ou avec des essences minérale ayant un point d'éclair de 60 °C (140 °F), ne pulvériser aucun liquide ayant un point d'éclair inférieur à 60 °C (140 °F) et n'effectuer aucune opération de nettoyage avec ce type de liquide.
- La peinture ou le solvant qui circule dans l'équipement peut créer de l'électricité statique. L'électricité statique crée un risque d'incendie ou d'explosion en présence de vapeurs de peinture ou de solvant.
- Ne pas utiliser une peinture ou un solvant qui contient des hydrocarbures halogénés.
- L'aire de pulvérisation doit être bien ventilée. S'assurer que le lieu de travail comprend une bonne alimentation en air frais. Garder l'ensemble de pompe dans un endroit bien ventilé.
- Ne pas fumer à proximité du l'aire de pulvérisation.
- Ne pas faire fonctionner les interrupteurs d'éclairage, les moteurs ou d'autres dispositifs produisant des étincelles à proximité du l'aire de pulvérisation.
- Garder le lieu de travail propre et exempt de contenants de peinture ou de solvant, de chiffons et d'autres matériaux inflammables.
- Bien connaître le contenu des peintures et des solvants qui sont pulvérisés. Lire toutes les fiches signalétiques et les étiquettes du contenant fournies avec les peintures et les solvants. Suivre les instructions de sécurité du fabricant concernant les peintures et les solvants.
- On doit retrouver un extincteur sur le lieu de travail et celui-ci doit fonctionner.

AVERTISSEMENT : Pour réduire les risques d'injection:

- Ne pas orienter la buse ou pulvériser en direction des personnes ou des animaux.
- Garder les mains et les autres parties du corps à l'écart de la décharge. Par exemple, ne pas tenter de bloquer une fuite avec une partie du corps.
- Toujours utiliser l'embout de pulvérisation. Ne pas utiliser l'outil si l'embout de pulvérisation n'est pas en place.
- Utiliser seulement un embout de pulvérisation recommandé par le fabricant.
- Faire preuve de prudence au moment de nettoyer et de changer les embouts de pulvérisation. Si l'embout de pulvérisation s'encrasse pendant l'opération, suivre les instructions du fabricant pour éteindre l'unité et relâcher la pression avant de retirer l'embout pour le nettoyer.
- Ne pas laisser l'unité sans surveillance lorsque celle-ci est en marche. Éteindre l'unité lorsqu'elle n'est pas utilisée, conformément aux instructions du fabricant.
- Le pulvérisateur haute pression peut injecter des substances toxiques dans le corps et entraîner des blessures graves. Au cas où ce genre d'injection surviendrait, consulter immédiatement un médecin.
- Vérifier les tuyaux flexibles et les pièces afin de s'assurer qu'ils ne sont pas endommagés. Remplacer tout tuyau flexible endommagé ou toute pièce endommagée.
- Ce système peut produire une pression de 17 236,89 kPa (2 500 psi). Utiliser uniquement des pièces de remplacement ou des accessoires recommandés par le fabricant et qui tolèrent une pression nominale de 17236,89 kPa (2 500 psi).
- Savoir comment arrêter rapidement l'unité. Se familiariser avec toutes les commandes.
- S'assurer que tous les raccords sont solides avant d'utiliser cette unité.
- Pour l'usage de ménage seulement.

AVERTISSEMENT : Pour réduire les risques de blessure :

- Ne pas utiliser ou pulvériser le produit à proximité des enfants. Garder les enfants à l'écart de l'équipement en tout temps.
- Ne pas travailler hors de portée ou se tenir sur un support instable. Se tenir bien campé et en équilibre en tout temps.
- Rester attentif et prêter attention au travail.
- Ne pas utiliser cet appareil en cas de fatigue ou sous l'influence de l'alcool ou de drogues.

RÈGLES DE SÉCURITÉ PARTICULIÈRES

- **Maintenir tous les dispositifs de protection en place** et en bon état de fonctionnement. Ne jamais utiliser l'outil avec des couvercles ou dispositifs de protection retirés. S'assurer que tous les dispositifs de protection fonctionnent correctement avant chaque utilisation.
- **Pour réduire les risques de blessures**, garder les enfants et visiteurs à l'écart. Tous les visiteurs doivent porter des lunettes de sécurité et se tenir à bonne distance de la zone de travail.
- **Ne laisser personne approcher la zone de travail**, particulièrement les petits enfants et les animaux domestiques.
- **Utiliser l'outil approprié.** Ne pas utiliser l'outil ou un accessoire pour effectuer un travail pour lequel il n'est pas conçu. Ne pas utiliser l'outil pour une application non prévue.
- **Ne pas faire fonctionner l'équipement pied-nu ou en portant des sandales ou des chaussures légères similaires.** Porter des chaussures de sécurité protégeant les pieds et améliorant l'équilibre sur des surfaces glissantes.
- **Faire preuve de prudence pour éviter de glisser ou tomber.**
- **Toujours porter des lunettes de sécurité avec écrans latéraux.** Les lunettes de vue ordinaires sont munies seulement de verres résistants aux impacts ; ce ne sont **PAS** des lunettes de sécurité.
- **N'utiliser que les accessoires recommandés.** L'emploi de tout accessoire inadapté peut présenter un risque de blessure.
- **Suivre les instructions d'entretien spécifiées dans ce manuel.**
- **Vérifier l'état des pièces.** Avant d'utiliser l'outil de nouveau examiner soigneusement les pièces et dispositifs de protection qui semblent endommagés afin de déterminer s'ils fonctionnent correctement et s'ils remplissent les fonctions prévues. Vérifier l'alignement des pièces mobiles, s'assurer qu'aucune pièce n'est bloquée ou cassée, vérifier la fixation de chaque pièce et s'assurer qu'aucun autre problème ne risque d'affecter le bon fonctionnement de l'outil. Pour éviter les risques de blessures, toute protection ou pièce endommagée doit être correctement réparée ou remplacée dans un centre de réparations agréé.
- **Ne jamais laisser un outil en fonctionnement sans surveillance.** Ne pas s'éloigner de l'outil avant qu'il soit parvenu à un arrêt complet.
- **Se familiariser complètement avec les commandes.** Veiller à savoir arrêter la machine et relâcher la pression rapidement.
- **Garder l'outil sec, propre et exempt d'huile ou de graisse.** Toujours utiliser un chiffon propre pour le nettoyage. Ne jamais utiliser de liquide de freins, d'essence ou de produits à base de pétrole pour nettoyer l'outil.
- **Ne pas utiliser l'outil si le commutateur ne permet pas de l'arrêter.** Faire remplacer les commutateurs défectueux dans un centre de réparations agréé.
- **Avant de nettoyer, réparer ou inspecter**, couper le moteur et vérifier que toutes les pièces en mouvement sont arrêtées.
- **Éviter les environnements dangereux.** Ne pas utiliser dans des endroits mouillés ou humides, ne pas exposer à la pluie. Garder le lieu de travail bien éclairé.
- **Ne jamais diriger un jet de peinture vers des personnes, des animaux et des appareils électriques.**
- **Ne jamais mettre la machine en marche** si de la glace s'est formée sur quelque partie que ce soit.
- **AVERTISSEMENT : Les pulvérisateurs à haute pression peuvent être dangereux s'ils sont utilisés incorrectement.** Le pulvérisateur ne doit pas être dirigé vers des personnes, animaux, dispositifs électriques ou l'équipement lui-même.
- **Rester à l'écart des pièces brûlantes.**
- **Vérifier le serrage de la boulonnerie** avant chaque utilisation. Un boulon ou écrou desserré peut causer de sérieux problèmes de moteur.
- **Laisser le produit refroidir avant de remiser l'outil.**
- **Remiser dans un endroit frais, bien aéré, à l'écart d'étincelle et/ou d'appareils produisant des flammes.**
- **Utiliser exclusivement des pièces identiques à celles d'origine pour les réparations.** L'usage de toute autre pièce pourrait créer une situation dangereuse ou endommager l'outil.
- **Ne pas utiliser l'outil si l'embout de pulvérisation n'est pas en place.**
- **Les conséquences d'une blessure par injection peuvent aller jusqu'à l'amputation.** Consulter immédiatement un médecin.
- **Ne jamais mettre les mains devant l'embout de pulvérisation pendant l'utilisation.** Le fait de porter des gants ne protège pas toujours l'utilisateur des blessures par injection.
- **Porter des vêtements afin de protéger la peau et les cheveux de la peinture, ainsi qu'un masque ou un respirateur pendant l'utilisation.** Les peintures, les solvants et les autres substances peuvent être dangereux s'ils sont inhalés ou s'ils entrent en contact avec le corps.
- **Toujours éteindre l'unité, retirer le bloc-pile et relâcher la pression avant de procéder à l'entretien ou au nettoyage de l'embout ou du dispositif de protection de l'embout, de changer d'embout, ou de laisser l'unité sans surveillance.**

RÈGLES DE SÉCURITÉ PARTICULIÈRES

- **Le plastique peut provoquer des étincelles. Ne jamais suspendre du plastique pour clôturer une aire de pulvérisation.** Ne pas utiliser de toiles de peintre en plastique au moment de pulvériser des substances inflammables.
- **Ne pas pulvériser à l'extérieur lors de journées venteuses.**
- **Ne pas tenter de nettoyer ou de décraiser l'embout de pulvérisation avec son doigt.**
- **Les piles d'outils électriques, qu'elles soient intégrées ou amovibles, ne doivent être rechargées qu'avec l'appareil spécifié.** Un chargeur approprié pour un type de pile peut créer un risque d'incendie s'il est utilisé avec un autre type de pile.
- **Utiliser exclusivement le bloc-pile spécifiquement indiqué pour l'outil.** L'usage de tout autre bloc peut créer un risque d'incendie.
- **Ne recharger les batteries qu'avec l'appareil indiqué.** Pour utiliser l'appareil avec des batteries au nickel-cadmium et au lithium-ion de 18 V, consulter le supplément de raccordement pour chargeur/outils/batteries/appareil n° 987000-432.
- **Déconnecter le bloc-piles et mettre le commutateur en position d'arrêt ou de verrouillage avant d'effectuer des réglages, de changer d'accessoire ou de remiser l'outil.** Ces mesures de sécurité réduisent les risques de démarrage accidentel de l'outil.
- **Lorsque le bloc-piles n'est pas en usage, le tenir à l'écart d'articles métalliques tels que : les attaches trombones, pièces de monnaie, clés, clous, vis et autres petits objets métalliques risquant d'établir le contact entre les deux bornes.** La mise en court-circuit des bornes de piles peut causer des étincelles, des brûlures ou un incendie.
- **Les outils fonctionnant sur piles n'ayant pas besoin d'être branchés sur une prise secteur, ils sont toujours en état de fonctionnement. Tenir compte des dangers possibles lorsque l'outil n'est pas en usage et lors du remplacement des piles.** Le respect de cette consigne réduira les risques d'incendie, de choc électrique et de blessures graves.
- **Ne pas placer les outils électriques sans fil ou leurs piles à proximité de flammes ou d'une source de chaleur.** Ceci réduira les risques d'explosion et de blessures.
- **Ne pas écraser, faire tomber ou endommager le bloc-piles. Ne jamais utiliser un bloc-piles ou un chargeur qui est tombé, a été écrasé, a reçu un choc violent** ou a été endommagé de quelque façon que ce soit. Une pile endommagée risque d'exploser. Éliminer immédiatement toute pile endommagée, selon une méthode appropriée.
- **Les piles peuvent exploser en présence d'une source d'allumage, telle qu'une veilleuse.** Pour réduire les risques de blessures graves, ne jamais utiliser un appareil sans fil, quel qu'il soit, en présence d'une flamme vive. En explosant, une pile peut projeter des débris et des produits chimiques. En cas d'exposition, rincer immédiatement les parties atteintes avec de l'eau.
- **Ne pas recharger un outil fonctionnant sur piles dans un endroit humide ou mouillé.** Le respect de cette règle réduira les risques de choc électrique.
- **Pour un résultat optimal, les piles de l'outil doivent être rechargées dans un local où la température est de 10 à 38 °C (50 à 100 °F). Ne pas ranger l'outil à l'extérieur ou dans un véhicule.**
- **Si l'outil est utilisé de façon intensive ou sous des températures extrêmes, des fuites de pile peuvent se produire. En cas de contact du liquide avec la peau, rincer immédiatement la partie atteinte avec de l'eau savonneuse. En cas d'éclaboussure dans les yeux, les rincer à l'eau fraîche pendant au moins 10 minutes, puis contacter immédiatement un médecin.** Le respect de cette consigne réduira les risques de blessures graves.
- **Ne jamais laisser un outil sans surveillance si la pile est installée.**
- **Conserver ces instructions.** Les consulter fréquemment et les utiliser pour instruire d'autres utilisateurs. Si cet outil est prêté, il doit être accompagné de ces instructions.



AVERTISSEMENT :




Ce produit et la poussière dégagée lors du ponçage, sciage, meulage, perçage de certains matériaux et lors d'autres opérations de construction contient des produits chimiques reconnus causer le cancer, des malformations congénitales ou des lésions de l'appareil reproducteur. **Bien se laver les mains après toute manipulation.** Voici certains exemples de ces produits chimiques :

- le plomb contenu dans la peinture au plomb,
- la silice cristalline contenue dans les briques, le béton et d'autres produits de maçonnerie, ainsi que
- l'arsenic et le chrome contenus dans le bois de construction traité par produits chimiques.





Le risque présenté par l'exposition à ces produits varie en fonction de la fréquence de ce type de travail. Pour réduire l'exposition à ces produits chimiques : travailler dans un endroit bien aéré et utiliser des équipements de sécurité approuvés tels que masques antipoussière spécialement conçus pour filtrer les particules microscopiques.

SYMBOLES

Les termes de mise en garde suivants et leur signification ont pour but d'expliquer le degré de risques associé à l'utilisation de ce produit.

SYMBOLE	SIGNAL	SIGNIFICATION
	DANGER :	Indique une situation extrêmement dangereuse qui, si elle n'est pas évitée, aura pour conséquences des blessures graves ou mortelles.
	AVERTISSEMENT :	Indique une situation potentiellement dangereuse qui, si elle n'est pas évitée, pourrait entraîner des blessures graves ou mortelles.
	ATTENTION :	Indique une situation potentiellement dangereuse qui, si elle n'est pas évitée, pourrait entraîner des blessures légères ou de gravité modérée.
	ATTENTION :	(Sans symbole d'alerte de sécurité) Indique une situation pouvant entraîner des dommages matériels.

Certains des symboles ci-dessous peuvent être utilisés sur produit. Veiller à les étudier et à apprendre leur signification. Une interprétation correcte de ces symboles permettra d'utiliser produit plus efficacement et de réduire les risques.

SYMBOLE	NOM	DÉSIGNATION / EXPLICATION
	Symbole d'alerte de sécurité	Indique un risque de blessure potentiel.
V	Volts	Tension
— — —	Courant continu	Type ou caractéristique du courant
PSI	Pression	La pression est mesurée en livres par pouce carré
GPH	Débit	Le débit est mesuré selon le nombre de gallons de peinture pulvérisés par heure
	Lire le manuel d'utilisation	Pour réduire les risques de blessures, l'utilisateur doit lire et veiller à bien comprendre le manuel d'utilisation avant d'utiliser ce produit.
	Protection oculaire	Toujours porter une protection oculaire avec écrans latéraux certifiée conforme à la norme ANSI Z87.1.
	Symbole recycler	Ce produit utilise les piles de nickel-cadmium (Ni-Cd) ou lithium-ion (Li-ion). Les réglementations locales ou gouvernementales peuvent interdire de jeter les piles dans les ordures ménagères. Consulter les autorités locales compétentes pour les options de recyclage et/ou l'élimination.

CARACTÉRISTIQUES

FICHE TECHNIQUE

Débit20,81 l/h (5,5 gal/h)
Dimensions du réservoir 0,9464 l (1 pte)

Moteur 18 V c.c.
Alimentation du chargeur 120 V, c.a. seulement, 60 Hz

VEILLEZ À BIEN CONNAÎTRE LE PISTOLET À PEINDRE ÉLECTRIQUE

Voir la figure 1, page 12.

L'utilisation sûre de ce produit exige une compréhension des renseignements figurant sur l'outil et contenus dans le manuel d'utilisation, ainsi qu'une bonne connaissance du projet entrepris. Avant d'utiliser ce produit, se familiariser avec toutes ses caractéristiques et règles de sécurité.

MOTEUR DE CONCEPTION NOVATRICE

La conception novatrice du moteur permet de réduire les vibrations et le bruit pendant l'utilisation.

CROCHET DE RANGEMENT INTÉGRÉ

Le crochet de rangement intégré permet à l'utilisateur de suspendre le pistolet aux fins d'entreposage.

RÉSERVOIR DE PEINTURE À VERROUILLAGE RAPIDE

La fonction de verrouillage rapide permet d'installer et de retirer facilement le réservoir de peinture.

CONSEILS SUR LA PULVÉRISATION

Les deux embouts de pulvérisation fournis permettent à l'utilisateur de choisir entre trois formes de jet différentes : horizontale, verticale ou circulaire.

ASSEMBLAGE

DÉBALLAGE

Ce produit a été expédié complètement assemblé.

- Avec précaution, sortir le produit et les accessoires de la boîte. S'assurer que toutes les pièces figurant sur la liste de contrôle sont incluses.

AVERTISSEMENT :

Ne pas utiliser le produit s'il n'est pas complètement assemblé ou si des pièces semblent manquantes ou endommagées. Le fait d'utiliser un produit assemblé de façon inadéquate ou incomplète peut entraîner des blessures graves.

- Examiner soigneusement le produit pour s'assurer que rien n'a été brisé ou endommagé en cours de transport.
- Ne pas jeter les matériaux d'emballage avant d'avoir soigneusement examiné le produit et avoir vérifié qu'il fonctionne correctement.
- Si des pièces sont manquantes ou endommagées, appeler le 1-800-525-2579.

LISTE DE CONTRÔLE D'EXPÉDITION

Pistolet à peindre électrique avec réservoir de peinture à verrouillage rapide et embout de pulvérisation en éventail de 304,8 mm (12 po)

Valve de pulvérisateur de remplacement

Brosse de nettoyage

Lubrifiant

Embout rond de 25,4 mm (1 po)

Sacoche

Bloc-pile

Manuel d'utilisation

Chargeur

AVERTISSEMENT :

Si des pièces manquent ou sont endommagées, ne pas utiliser ce produit avant qu'elles aient été remplacées. Le fait d'utiliser ce produit même s'il contient des pièces endommagées ou s'il lui manque des pièces peut entraîner des blessures graves.

AVERTISSEMENT :

Ne pas essayer de modifier ce produit ou de créer des accessoires non recommandés pour le produit. De telles altérations ou modifications sont considérées comme un usage abusif et peuvent créer des conditions dangereuses, risquant d'entraîner des blessures graves.

AVERTISSEMENT :

Ne pas brancher sur le secteur avant d'avoir terminé l'assemblage. Le non respect de cet avertissement peut causer un démarrage accidentel, entraînant des blessures graves.

UTILISATION

AVERTISSEMENT :

Ne pas laisser la familiarité avec le produit faire oublier la prudence. Ne pas oublier qu'une fraction de seconde d'inattention peut entraîner des blessures graves.

AVERTISSEMENT :

Toujours porter une protection oculaire avec écrans latéraux certifiée conforme à la norme ANSI Z87.1. Le non respect de cette règle peut faire en sorte que des liquides soient projetés dans vos yeux, ce qui peut entraîner des blessures graves.

AVERTISSEMENT :

Ne pas utiliser d'outils ou accessoires non recommandés par le fabricant pour cet outil. L'utilisation de pièces et accessoires non recommandés peut entraîner des blessures graves.

APPLICATIONS

Ce produit peut être utilisé pour l'application ci-dessous :

- Pour peinture ou teinture d'intérieur ou d'extérieur sur patios, meubles d'extérieur, clôtures et murs

Ce produit est compatible avec les piles 18 V au lithium-ion et au nickel cadmium de Ryobi One+.

Pour prendre connaissance de l'ensemble des instructions relatives à la charge, consulter les manuels d'utilisation des blocs-piles One+ de Ryobi et des modèles de chargeur connexes.

CARACTÉRISTIQUES RELATIVES À LA PROTECTION DES BATTERIES

Les piles au lithium ion de Ryobi sont conçues de manière à protéger les piles au lithium ion et à maximiser l'autonomie des piles.

Si l'outil s'arrête en cours d'utilisation, relâcher la gâchette pour le réenclencher et reprendre l'opération. Si l'outil ne fonctionne toujours pas, cela signifie qu'il est nécessaire de recharger la pile.

RETRAIT/INSTALLATION DU BLOC-PILES

Voir la figure 2, page 12.

AVERTISSEMENT :

Toujours retirer la pile de l'outil au moment d'assembler des pièces, d'effectuer des réglages et de procéder au nettoyage, ou lorsque l'outil n'est pas utilisé. Le fait de retirer la pile permet d'empêcher un démarrage accidentel pouvant entraîner des blessures graves.

Installation :

- Aligner la nervure du bloc-piles sur la rainure du chargeur et insérer le bloc dans le compartiment de l'outil.
- S'assurer que ses deux loquets latéraux s'engagent correctement et vérifier que le bloc est solidement assujéti avant d'utiliser l'outil.

Retrait :

- Appuyer sur les deux loquets se trouvant sur les côtés du bloc-piles pour le séparer de l'outil et retirer le bloc-piles de l'outil.

AVERTISSEMENT :

Les outils à piles sont toujours en état de fonctionnement. Il est donc nécessaire de toujours verrouiller la gâchette lorsque l'outil n'est pas en usage ou pendant son transport.

AVERTISSEMENT :

Risque d'incendie ou d'explosion. L'aire de pulvérisation doit être ventilée et située à l'écart des étincelles et des flammes.

REMPILIR LE PISTOLET DE PEINTURE OU DE TEINTURE

Voir les figures 3 et 4, page 12.


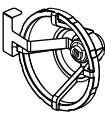
Retirer et jeter la pellicule qui s'est formée sur le dessus de la peinture ou de la teinture, puis bien mélanger la substance dans son contenant original avant de débiter l'opération.

NOTE : Il peut être nécessaire de filtrer le contenu des vieux récipients de peinture et de teinture avant de l'utiliser.

- Retirer le bloc-pile du pulvérisateur.
- Retirer le réservoir de peinture à verrouillage rapide en le tournant dans le sens antihoraire de façon à ce que la flèche du réservoir soit alignée avec le symbole de « déverrouillage » situé sur le couvercle.
- Remplir le réservoir de peinture ou de teinture, au choix. Ne pas dépasser la ligne de remplissage maximal du réservoir.
- Réinstaller le réservoir sur le pistolet et le tourner dans le sens horaire de façon à ce que la flèche du réservoir soit alignée avec le symbole de « verrouillage » situé sur le couvercle.

CHOISIR L'EMBOUT DE PULVÉRISATION APPROPRIÉ

Voir la figure 5, page 13.

	Utiliser le pulvérisateur circulaire de 25,4 mm (1 po) conçu pour les matériaux comme les peintures et les teintures au latex. Cette embout permet de pulvériser selon un profil circulaire.
	Utiliser l'embout de pulvérisation en éventail de 304,8 mm (12 po) conçu pour les matériaux comme les peintures au latex, les peintures à l'huile, et les teintures. Cette embout donne un large profil de pulvérisation, soit horizontal soit vertical.

Pour changer d'embout :

- Retirer le bloc-pile du pulvérisateur.
- Retirer l'embout installé en le tournant dans le sens antihoraire.
- Installer l'embout désiré et le tourner dans le sens horaire afin de le serrer solidement.

NOTE : Il importe de serrer solidement et manuellement l'embout. Si l'embout est desserré ou s'il a été serré excessivement, cela peut causer des fuites ou des dommages à l'outil.

Pour changer le sens de l'embout en éventail :

- Desserrer légèrement l'embout en éventail en le tournant 1/4 de tour dans le sens antihoraire.
- Tourner le bras de réglage d'un quart de tour dans la direction requise pour changer le profil de pulvérisation.

UTILISATION

- Tout en maintenant en place le bras de réglage, tourner l'embout en éventail dans le sens horaire jusqu'à ce qu'il soit serré solidement.

AVERTISSEMENT :

Pour réduire le risque d'injection, ne pas diriger le pulvérisateur vers soi ou vers quiconque. En cas d'injection cutanée, consulter immédiatement un médecin. Ne pas utiliser l'outil si l'embout de pulvérisation n'est pas en place.

UTILISATION DU PISTOLET

Voir les figures 6 à 9, page 13.

- Placer une pellicule de lubrifiant sur le piston. Pour accéder au piston, suivre les instructions décrites sous **Nettoyage du pulvérisateur aux fins d'entreposage**, à la section *Entretien* du présent manuel.
- S'assurer que la surface à peindre est exempte de poussière, de saleté et de graisse.
- Masquer ou recouvrir les surfaces sur lesquelles on ne prévoit pas appliquer de peinture ou de teinture. Attention au vent; il pourrait entraîner la peinture ou la teinture vers des endroits non désirés. Toujours utiliser une toile de peintre ou un autre recouvrement pour protéger les zones sur lesquelles on ne prévoit pas appliquer de peinture ou de teinture.
- Remplir le réservoir à verrouillage rapide avec au maximum 1 pinte de la peinture ou de la teinture désirée.
NOTE : À tous les 4 remplissages, ajouter une pellicule de lubrifiant sur le piston. Consulter la section intitulée **Nettoyage du pistolet aux fins d'entreposage** pour connaître les instructions sur le désassemblage du pistolet et sur l'accès au piston.
- Choisir l'embout de pulvérisation qui procure la forme de jet désirée.
- Installer le bloc-pile du pulvérisateur.
- Appuyer sur la gâchette pour pulvériser la peinture. Relâcher la gâchette pour cesser l'opération.
- S'exercer à pulvériser sur des matériaux de rebut afin de tester le pistolet. S'il est impossible d'obtenir une bonne forme de jet avec une quantité égale de peinture ou de teinture, consulter la section *Dépannage* présentée ultérieurement dans le présent manuel.

NOTE : Il est nécessaire d'amorcer la pompe chaque fois que la peinture est changée, ainsi que lors de la première utilisation suivant l'entreposage. Pulvériser la peinture sur une surface de rebut pendant au moins 20 secondes pour amorcer la pompe.

- Pour créer un revêtement égal sur toute la surface :
 - Déplacer son bras à une vitesse constante et s'assurer de bouger tout le bras, pas seulement le poignet.
 - Garder le pistolet à une distance égale de la zone de pulvérisation, soit de 203,2 mm (8 po) à 254 mm (10 po) entre l'embout du pistolet et la surface à pulvériser.
 - Appuyer sur la gâchette pour commencer à pulvériser l'enduit à appliquer. Utiliser le pistolet en lui faisant effectuer des mouvements horizontaux ou verticaux devant la surface à peindre, puis relâcher la gâchette pour cesser la pulvérisation.

NOTE : Pour assurer une pulvérisation de qualité uniforme avec des peintures plus fluides, il peut être nécessaire de tenir la gâchette enfoncée entre les mouvements.

- Une fois l'opération terminée, retirer le bloc-pile, remettre la peinture ou la teinture non utilisée dans son contenant d'origine, et bien nettoyer le pistolet.

ATTENTION :

Il est important de bien nettoyer le pistolet après chaque utilisation ou au moment de changer de couleur. Le fait de laisser de la peinture ou de la teinture dans un outil au repos pendant une longue période peut entraîner le grippage des pièces mobiles de l'appareil.

AVERTISSEMENT :

Ne pas nettoyer l'appareil avec des liquides inflammables comme du décapant pour peinture, du décapeur, du nettoyant pour pinceaux, de l'essence minérale, du diluant à peinture-laque, de la térébenthine, de l'acétone, de l'essence, du kérosène, etc.

NETTOYAGE DU PISTOLET APRÈS UTILISATION

La solution utilisée pour nettoyer le pistolet est déterminée en fonction du type de substance pulvérisée. Pour toute autre substance qu'un enduit au latex, utiliser le diluant révolutionnaire de formule blanche Klean-Strip®, le diluant de formule verte Klean-Strip®, le diluant NEXT CROWN®, ou tout autre diluant ininflammable (dans le cas d'enduits à base d'huile). Suivre les directives du fabricant pour effectuer un nettoyage approprié.

Pour nettoyer le pistolet en vue d'un entreposage à court terme :

- Retirer le bloc-pile du pulvérisateur.
- Si ce n'est déjà fait, retirer le réservoir de peinture et verser toute peinture ou teinture non utilisée dans son contenant d'origine.
- Remplir le réservoir de peinture d'eau tiède (dans le cas d'enduits au latex) ou le diluant révolutionnaire de formule blanche Klean-Strip®, de diluant de formule verte Klean-Strip®, le diluant NEXT CROWN®, ou de tout autre diluant ininflammable (dans le cas d'enduits à base d'huile).
- Réinstaller le réservoir de peinture.
- Installer le bloc-pile du pulvérisateur.
- Pulvériser la solution sur un morceau de carton ou sur un autre matériau de rebut. Continuer de pulvériser jusqu'à ce que toute la solution ait été utilisée.
- Retirer le bloc-pile du pulvérisateur.
- Placer une pellicule de lubrifiant sur le piston. Pour accéder au piston, suivre les instructions décrites sous **Nettoyage du pulvérisateur aux fins d'entreposage**, à la section *Entretien* du présent manuel.
- Utiliser un linge humide pour essuyer l'extérieur du pistolet. L'unité peut maintenant être entreposée.

ENTRETIEN

AVERTISSEMENT :

Utiliser exclusivement des pièces d'origine pour les réparations. L'usage de toute autre pièce pourrait créer une situation dangereuse ou endommager le produit.

AVERTISSEMENT :

Toujours porter une protection oculaire avec écrans latéraux certifiée conforme à la norme ANSI Z87.1. Le non respect de cette règle peut faire en sorte que des liquides soient projetés dans vos yeux, ce qui peut entraîner des blessures graves.

PROCÉDURES D'ENTRETIEN

NOTE : Toujours retirer le bloc-pile de l'unité avant de tenter d'effectuer un entretien.

Éviter d'utiliser des solvants pour le nettoyage des pièces en plastique. La plupart des matières plastiques peuvent être endommagées par divers types de solvants du commerce. Utiliser un chiffon propre pour éliminer la saleté, la poussière, l'huile, la graisse, etc.

AVERTISSEMENT :

Ne jamais laisser de liquides tels que le fluide de freins, l'essence, les huiles pénétrantes, etc., entrer en contact avec les pièces en plastique. Les produits chimiques peuvent endommager, affaiblir ou détruire le plastique, ce qui peut entraîner des blessures graves.

NETTOYAGE DU PISTOLET D'ENTREPOSER

Voir les figures 8 et 9, page 13.

Lorsque le projet est terminé et qu'il temps d'entreposer le pistolet, il est recommandé de bien nettoyer et lubrifier l'outil.

- Retirer le bloc-pile du pulvérisateur.
- Retirer le réservoir de peinture.
- Si ce n'est déjà fait, verser toute peinture ou teinture non utilisée dans son contenant d'origine.
- Remplir le réservoir de peinture d'eau tiède (dans le cas d'enduits au latex) ou le diluant révolutionnaire de formule blanche Klean-Strip®, de diluant de formule verte Klean-Strip®, le diluant NEXT CROWN®, ou de tout autre diluant ininflammable (dans le cas d'enduits à base d'huile).
- Réinstaller le réservoir de peinture.
- Installer le bloc-pile du pulvérisateur.
- Pulvériser la solution sur un morceau de carton ou sur un autre matériau de rebut. Continuer de pulvériser jusqu'à ce que toute la solution ait été utilisée.
- Retirer le bloc-pile du pulvérisateur.
- Retirer le réservoir de peinture.
- Retirer le tube et le filtre de succion et les mettre à l'écart.
- Retirer l'embout de pulvérisation qui a été installé en le tournant dans le sens antihoraire et le mettre à l'écart.
- Retirer l'ensemble valve de pulvérisateur et le mettre à l'écart.
- Retirer l'écrou de verrouillage en le tournant dans le sens antihoraire.
- Glisser vers l'avant le couvercle du réservoir/ensemble logement de la pompe et le détacher du pistolet.
- Tirer le piston et le ressort hors du logement de la pompe.

- Utiliser la brosse de nettoyage fournie ainsi qu'une solution choisie en fonction du dernier type de peinture ou de teinture pulvérisée; bien nettoyer toutes les pièces mentionnées plus haut.

NOTE : S'assurer de bien nettoyer l'intérieur de l'ouverture du logement de la pompe de façon à ce qu'il ne reste aucune trace de peinture ou de teinture.

- Nettoyer l'évent du logement de la pompe à l'aide d'un trombone redressé ou d'un cure-dent.

Pour réassembler l'unité :

- Placer une pellicule de lubrifiant sur le piston.
- Replacer le ressort sur le piston.
- Insérer l'ensemble piston et ressort dans la partie arrière du logement de la pompe.
- Replacer l'ensemble logement de la pompe/couvercle du réservoir sur le pistolet.
- Replacer l'écrou de verrouillage sur le logement du moteur en le poussant et en le tournant dans le sens horaire afin de le fixer solidement.
- Insérer l'ensemble valve de pulvérisateur dans l'ouverture avant du logement de la pompe.
- Replacer l'embout de pulvérisation et le tourner dans le sens horaire afin de le fixer solidement.
- Réinstaller le tube et le filtre de succion.
- Réinstaller le réservoir de peinture.
- Le pistolet est maintenant prêt à être entreposé.

REPLACEMENT DE L'ENSEMBLE VALVE DE PULVÉRISATEUR

Voir la figure 10, page 13.

La valve de pulvérisateur fait en sorte que la peinture ou la teinture subit un mouvement de rotation au moment d'être expulsé du pistolet. Après avoir admis 26,5 l (7 gal) à 37,85 l (10 gal) de peinture ou de teinture, la valve de pulvérisateur peut ne plus produire une bonne forme de jet et doit être remplacée.

Pour procéder au remplacement :

- Retirer le bloc-pile du pulvérisateur.
- Tourner l'embout de pulvérisation dans le sens antihoraire et le retirer.
- Retirer l'ensemble valve de pulvérisateur et le mettre à l'écart.
- Installer le nouvel ensemble valve de pulvérisateur.
- Replacer l'embout de pulvérisation et le tourner dans le sens horaire afin de le fixer solidement.

RETRAIT ET PRÉPARATION DU PILES POUR LE RECYCLAGE

AVERTISSEMENT :

Après avoir retiré les piles, couvrir ses bornes avec un ruban adhésif de qualité industrielle. Ne pas essayer de démonter ou détruire les piles, ni de retirer des composants quels qu'ils soient. Les piles épuisées doivent être recyclées ou éliminées selon une méthode appropriée. Ne jamais toucher les deux bornes avec des objets en métal ou une partie du corps, car cela pourrait créer un court-circuit. Garder hors de la portée des enfants. Le non-respect de ces mises en garde peut résulter en un incendie et/ou des blessures graves.

DÉPANNAGE

PROBLÈME	CAUSE	SOLUTION POSSIBLE
Motor does not run.	La pile n'est pas chargée.	Charge requise.
Le moteur surchauffe.	Le piston est grippé. Pulvérisation prolongée.	Bien nettoyer le pistolet en suivant les instructions de nettoyage en vue d'un entreposage à long terme présentées à la section <i>Entretien</i> du présent manuel. Relâcher la gâchette à la fin de chaque passage afin de permettre au moteur de refroidir.
Le moteur émet un léger bourdonnement mais n'actionne pas la pulvérisation.	Le piston est grippé.	Bien nettoyer le pistolet en suivant les instructions de nettoyage en vue d'un entreposage à long terme présentées à la section <i>Entretien</i> du présent manuel.
Le moteur semble fonctionner correctement mais n'actionne pas la pulvérisation.	Le tube et le filtre de succion sont desserrés ou endommagés. La valve de pulvérisateur est encrassée ou usée. L'enduit pulvérisé est trop épais. L'embout de pulvérisation ou le filtre d'aspiration est bouché; le piston est usé.	Réinstaller ou remplacer le tube et le filtre de succion, au besoin. Nettoyer ou remplacer la valve de pulvérisateur. Suivre les directives du fabricant pour diluer l'enduit, au besoin. Bien nettoyer le pistolet. Au besoin, remplacer le piston* en suivant les instructions de nettoyage en vue d'un entreposage présentées à la section <i>Entretien</i> du présent manuel.
Le pulvérisateur crachote ou produit des bulles.	Le niveau de peinture dans le réservoir est bas. Le matériau pulvérisé est trop épais. Le tube de succion est desserré. La valve de pulvérisateur est encrassée ou usée. L'embout de pulvérisation ou le piston est usé. La peinture a été secouée et renferme des poches d'air.	Remplir le réservoir de peinture. Suivre les directives du fabricant pour diluer l'enduit, au besoin. Réinstaller solidement le tube de succion. Nettoyer ou remplacer la valve de pulvérisateur. Nettoyer ou remplacer l'embout de pulvérisation ou le piston*. Laisser la peinture reposer pendant environ une heure afin qu'elle reprenne son état normal, puis essayer de nouveau.
La perte de peinture ou de teinture à la pulvérisation est excessive.	L'embout de pulvérisation est trop éloigné de la zone de pulvérisation.	Tenir le pistolet près de la zone de pulvérisation.
La peinture ou la teinture coule ou dégouline sur la surface de travail.	Les méthodes de peinture appropriées ne sont pas observées.	Consulter la section intitulée Utilisation du pistolet présentée précédemment dans le présent manuel.
La peinture ou la teinture fuit à l'arrière de l'embout de pulvérisation.	L'embout de pulvérisation est desserré. La valve de pulvérisateur est usée ou n'est pas disposée adéquatement.	Serrer l'embout de pulvérisation. Replacer la valve de pulvérisateur, au besoin.

* Bien que cela soit improbable, il est possible que le piston s'use. Pour se procurer un piston de remplacement, communiquer avec le service à la clientèle au numéro suivant : 1-800-525-2579. Suivre les instructions décrites à la section intitulée **Nettoyage du pistolet aux fins d'entreposage** afin d'accéder au piston en vue de procéder au remplacement.

NOTE : FIGURES (ILLUSTRATIONS) COMMENÇANT SUR 12 DE PAGE APRÈS LA SECTION ESPAGNOL.

ÍNDICE DE CONTENIDO

■ Introducción.....	2
■ Garantía	2
■ Instrucciones de seguridad importantes.....	3
■ Reglas de seguridad específicas.....	4-5
■ Símbolos.....	6
■ Características.....	7
■ Armado	7
■ Funcionamiento	8-9
■ Mantenimiento.....	10
■ Corrección de problemas	11
■ Figura numeras (ilustraciones).....	12-13
■ Pedidos de piezas / Servicio	Pág. posterior

INTRODUCCIÓN

Este producto ofrece numerosas características para hacer más agradable y placentero su uso. En el diseño de este producto se ha conferido prioridad a la seguridad, el desempeño y la fiabilidad, por lo cual se facilita su manejo y mantenimiento.

GARANTÍA

HERRAMIENTAS ELÉCTRICAS RYOBI® – GARANTÍA LIMITADA DE DOS AÑOS Y POLÍTICA DE INTERCAMBIO A LOS 30 DÍAS

One World Technologies, Inc., garantiza sus herramientas eléctricas con las siguientes condiciones:

POLÍTICA DE INTERCAMBIO A LOS 30 DÍAS: Durante los primeros 30 días a partir de la fecha de compra, usted puede solicitar servicio al amparo de esta garantía o puede intercambiar cualquier herramienta eléctrica RYOBI® que no funcione correctamente debido a defectos en los materiales o en la mano de obra, devolviéndola en el establecimiento donde la adquirió. Para recibir la herramienta eléctrica de reemplazo o el servicio de garantía solicitado, debe presentar documentación de prueba de la compra, y devolver el equipo original empaquetado con el producto original. La herramienta eléctrica de reemplazo queda cubierta por la garantía limitada por el resto del período de garantía de dos años a partir de la fecha de la compra original.

LO QUE CUBRE ESTA GARANTÍA: Esta garantía cubre todos los defectos en material y en mano de obra empleados en la herramienta eléctrica RYOBI® por un período de dos años a partir de la fecha de compra. Con excepción de las baterías, los accesorios de las herramientas eléctricas están garantizados por noventa (90) días. Las baterías están garantizadas por dos años.

FORMA DE OBTENER SERVICIO: Simplemente envíe la herramienta eléctrica debidamente empaquetada y con el flete pagado por anticipado a un centro de servicio autorizado. Puede obtener información sobre la ubicación del centro de servicio autorizado más cercano escribiendo a One World Technologies, Inc., P.O. Box 1207, Anderson, SC 29622-1207, USA, llamando al 1-800-525-2579 o dirigiéndose al sitio en Internet, www.ryobitools.com. Al solicitar servicio al amparo de la garantía, debe presentar documentación de prueba de la compra que incluya la fecha de ésta (por ejemplo un recibo de venta). Reparamos toda mano de obra deficiente del producto, y reparamos o reemplazamos cualquier pieza defectuosa, a nuestra sola discreción. Lo hacemos sin cargarle ningún costo al consumidor. Efectuamos el trabajo en un período de tiempo razonable, pero en todo caso en menos de noventa (90) días.

LO QUE NO ESTÁ CUBIERTO: Esta garantía se ofrece exclusivamente al comprador original al menudeo y no puede transferirse. Esta garantía sólo cubre defectos que aparezcan en el uso normal de la herramienta y no cubre ningún malfuncionamiento, falla o defecto producido por el uso indebido, maltrato, negligencia, alteración, modificación o reparación efectuada por terceros diferentes de los centros de servicio autorizados. One World Technologies, Inc. no ofrece ninguna garantía, declaración o promesa en relación con la calidad o el desempeño de sus herramientas eléctricas más que las señaladas específicamente en esta garantía.

LIMITACIONES ADICIONALES: Toda garantía otorgada de conformidad con las leyes estatales, incluidas las garantías de comerciabilidad o idoneidad para un uso en particular, está limitada a dos años a partir de la fecha de compra. One World Technologies, Inc. no es reponsable de daños directos, indirectos o incidentales, por lo tanto es posible que las limitaciones y exclusiones descritas arriba no se apliquen en el caso de usted. Esta garantía le confiere derechos legales específicos, y es posible que usted goce de otros derechos, los cuales pueden variar de estado a estado.

INSTRUCCIONES DE SEGURIDAD IMPORTANTES

ADVERTENCIA:

GUARDE ESTAS INSTRUCCIONES. Para reducir el riesgo de incendio o explosión, descarga eléctrica, y la lesiones a personas, lea y comprenda todas instrucciones incluidas en este manual. Familiarícese con todos los controles y la forma correcta de utilizar la equipo.

LEA TODAS LAS INSTRUCCIONES.

■ **FAMILIARÍCESE CON SU HERRAMIENTA ELÉCTRICA.**

Lea cuidadosamente el manual del operador. Aprenda sus usos y limitaciones, así como los posibles peligros específicos de esta herramienta.

ADVERTENCIA: Para reducir el riesgo de estallido o explosión:

- No rocíe materiales inflamables ni combustibles cerca de llamas abiertas o fuentes de ignición, como cigarrillos, motores y equipos eléctricos.
- No rocíe ni limpie con líquidos que tengan un punto de inflamación menor a 60 °C (140 °F) las unidades diseñadas para ser utilizadas sólo con materiales a base de agua o de un tipo de alcohol mineral con un punto de inflamación mínimo de 60 °C (140°F).
- La pintura o el solvente que fluyen a través del equipo pueden generar electricidad estática. La electricidad estática produce un riesgo de incendio o explosión en presencia de emanaciones de pintura o de solvente.
- No use una pintura o un solvente que contenga hidrocarburos halogenados.
- Mantenga el área de rociado bien ventilada. Mantenga una buena circulación de aire fresco en el área. Mantenga el conjunto de la bomba en un área bien ventilada.
- No fume en el área donde se área de rociado.
- No utilice interruptores de luz, motores o productos similares que produzcan chispas en el área donde se área de rociado.
- Mantenga el área limpia y sin contenedores de pintura o solvente, trapos y otros materiales inflamables.
- Conozca el contenido de las pinturas y los solventes que se rocían. Lea todas las hojas de datos sobre la seguridad de materiales (MSDS) y las etiquetas de los contenedores que se proveen con las pinturas y los solventes. Siga las instrucciones de seguridad del fabricante de la pintura y el solvente.
- Tenga a mano un extinguidor de incendios que funcione.

ADVERTENCIA: Para reducir el riesgo de inyección:

- No apunte la boquilla ni rocíe en dirección a personas ni animales.
- Mantenga las manos y demás partes del cuerpo lejos de la descarga. Por ejemplo, no intente detener fugas con ninguna parte del cuerpo.
- Utilice siempre la punta de rociado. No rocíe sin la punta de rociado en su lugar.
- Utilice únicamente una punta de rociado especificada por el fabricante.
- Tenga precaución al limpiar y cambiar las puntas de rociado. En el caso en que la punta de rociado se obstruya durante el rociado, siga las instrucciones del fabricante para apagar la unidad y aliviar la presión antes de retirar la punta de rociado para limpiarla.
- No deje la unidad sin supervisión cuando está activada. Cuando la unidad no está en funcionamiento, apáguela según las instrucciones del fabricante.
- El rociado a alta presión puede inyectar toxinas en el cuerpo y provocar lesiones corporales graves. En el caso en que se produzca la inyección, busque atención médica de inmediato.
- Inspeccione que las mangueras y las piezas no muestren señales de daño. Reemplace cualquier manguera o pieza dañada.
- Este sistema es capaz de producir 17 236,89 kPa (2 500 psi). Utilice solamente piezas o accesorios de repuesto especificados por el fabricante y que tengan una capacidad nominal de 17 236,89 kPa (2 500 psi), como mínimo.
- Sepa cómo detener la unidad rápidamente. Familiarícese completamente con los controles.
- Antes de hacer funcionar la unidad, verifique que todas las conexiones sean seguras.
- Para uso doméstico únicamente.

ADVERTENCIA: Para reducir el riesgo de lesiones:

- No utilice la unidad ni rocíe cerca de los niños. Mantenga alejados a los niños del equipo en todo momento.
- No se estire demasiado ni se pare sobre un soporte inestable. Mantenga los pies bien asentados y el equilibrio en todo momento.
- Permanezca alerta y preste atención a lo que esté haciendo.
- No use la unidad si está cansado o se encuentra bajo los efectos de alguna droga o del alcohol.

REGLAS DE SEGURIDAD ESPECÍFICAS

- **Mantenga las protecciones en su lugar** y en buenas condiciones de trabajo. Nunca utilice la herramienta con ninguna de las protecciones o cubiertas quitadas. Asegúrese de que todas las protecciones estén funcionando de forma correcta antes de utilizar la unidad.
- **Para reducir el riesgo de lesiones**, mantenga a alejados a niños y demás circunstantes. Todos los presentes deben llevar puestos anteojos de seguridad y permanecer a una distancia segura del área de trabajo.
- **Mantenga alejadas del área de trabajo a todas las personas**, particularmente a los niños de corta edad, y también a las mascotas.
- **Use la herramienta adecuada a la tarea.** No fuerce la herramienta ni ningún accesorio a efectuar tareas para las que no están hechos. No la use para propósitos no indicados en las instrucciones.
- **No accione el equipo cuando esté descalzo o al llevar puestas sandalias o calzado liviano similar.** Use calzado de seguridad que le proteja sus pies y mejore su postura en superficies resbaladizas.
- **Tenga suma precaución para evitar resbalarse o caer.**
- **Siempre use gafas de seguridad con protección lateral.** Los anteojos de uso diario tienen lentes resistentes a golpes únicamente; **NO** son anteojos de seguridad.
- **Utilice sólo accesorios recomendados.** El empleo de accesorios inadecuados puede presentar riesgos de lesiones.
- **Siga las instrucciones de la mantenimiento especificadas en este manual.**
- **Inspeccione las piezas dañadas.** Antes de seguir utilizando la herramienta, es necesario inspeccionar cuidadosamente toda protección o pieza dañada para determinar si funcionará correctamente y desempeñará la función a la que está destinada. Verifique la alineación de las partes móviles, que no haya atoramiento de las mismas, que no haya piezas rotas, el montaje de las piezas y cualquier otra condición que pudiera afectar su funcionamiento. Toda protección o pieza que esté dañada debe repararse apropiadamente o reemplazarse en un centro de servicio autorizado.
- **Nunca deje desatendida ninguna herramienta en funcionamiento. Apague la herramienta.** No se aleje de la herramienta hasta no verla completamente detenida.
- **Familiarícese completamente con los controles.** Aprenda a detener la máquina y a liberar rápidamente la presión.
- **Mantenga la herramienta seca, limpia y libre de aceite y grasa.** Siempre utilice un paño limpio para la limpieza de la unidad. Nunca utilice fluidos para frenos, gasolina, productos a base de petróleo ni solventes para limpiar la herramienta.
- **No utilice la herramienta si el interruptor no apaga.** Lleve todo interruptor defectuoso a un centro de servicio autorizado para que lo reparen.
- **Antes de limpiar, reparar o inspeccionar la máquina,** apague el motor y cerciórese de que se hayan detenido todas las partes en movimiento.
- **Evite tener un entorno de trabajo peligroso.** No utilice herramientas eléctricas en lugares húmedos o mojados ni las exponga a la lluvia. Mantenga bien iluminada el área de trabajo.
- **Nunca dirija un chorro de agua en dirección de personas o animales, ni hacia dispositivos eléctricos.**
- **Nunca ponga en marcha la máquina** si se ha formado hielo en cualquier parte del equipo.
- **ADVERTENCIA: Los chorros de alta presión pueden ser peligrosos si se utilizan indebidamente.** Nunca dirija el chorro a personas, animales, dispositivos eléctricos ni a la máquina misma.
- **Evite el contacto con las partes calientes de la unidad.**
- **Antes de cada uso, inspeccione los pernos y las tuercas** para verificar que están apretados. Una tuerca o perno sueltos pueden causar problemas graves en el motor.
- **Antes de guardar deje que se enfríe el producto.**
- **Guarde la unidad en un lugar frío y bien ventilado,** a una distancia segura de todo equipo generador de chispas o llamas.
- **Al dar servicio a la unidad, sólo utilice piezas de repuesto idénticas.** El empleo de piezas diferentes puede causar un peligro o dañar el producto.
- **Nunca utilice el rociador sin la punta de rociado instalada.**
- **Una lesión por inyección puede ocasionar una posible amputación.** Consulte a un médico de inmediato.
- **Nunca coloque la mano delante de la punta de rociado cuando use la unidad.** Los guantes no siempre brindan protección contra lesiones por inyección.
- **Cuando utilice la unidad, use ropa que no permita que la pintura entre en contacto con la piel ni el cabello, junto con una máscara o un respirador.** Las pinturas, los solventes y otros materiales pueden ser dañinos si se inhalan o si entran en contacto con el cuerpo.
- **Siempre apague la unidad, quite el paquete de baterías, y libere presión antes de dar servicio a la unidad, limpiar la punta o la protección, cambiar la punta o dejar desatendida la unidad.**

REGLAS DE SEGURIDAD ESPECÍFICAS

- **El plástico puede provocar chispas. Nunca utilice plástico para cercar un área de rociado.** No use protecciones de plástico al rociar materiales inflamables.
- **No rocíe en exteriores en días ventosos.**
- **No intente limpiar ni destapar la punta de rociado con el dedo.**
- **Toda herramienta de baterías, ya sea de baterías integradas o de paquete de baterías separado, debe recargarse únicamente con el cargador especificado para las baterías.** Un cargador que puede ser adecuado para un tipo de baterías puede significar un riesgo de incendio si se emplea con otro tipo de baterías.
- **Utilice las herramientas de baterías sólo con el paquete de baterías específicamente indicado.** El empleo de baterías diferentes puede presentar un riesgo de incendio.
- **Cargue las pilas solamente con el cargador indicado.** Para utilizar con paquetes de baterías de níquel-cadmio de 18 V o de iones de litio de 18 V, consulte el folleto de la herramienta/aparato/paquete de baterías/cargador complementario 987000-432.
- **Desconecte el paquete de baterías de la herramienta o ponga el interruptor en la posición de aseguramiento o apagado antes de efectuar ajustes, de cambiar accesorios o de guardar la herramienta.** Con tales medidas preventivas de seguridad se reduce el riesgo de poner en marcha accidentalmente la herramienta.
- **Cuando no esté usando el paquete de baterías, manténgalo alejado de todo objeto metálico como: clips, monedas, llaves, clavos, tornillos y otros objetos metálicos pequeños que puedan establecer conexión entre ambas terminales.** Establecer una conexión directa entre las dos terminales puede causar chispas, quemaduras o incendios.
- **Las herramientas de baterías no se necesitan conectar a una toma de corriente; por lo tanto, siempre están en condiciones de funcionamiento. Esté consciente de los posibles peligros cuando no esté usando la herramienta de baterías o cuando esté cambiando los accesorios de la misma.** Con el cumplimiento de esta regla se reduce el riesgo de una descarga eléctrica, incendio o lesión corporal seria.
- **No coloque herramientas de baterías ni las baterías mismas cerca del fuego o del calor.** De esta manera se reduce el riesgo de explosiones y de lesiones.
- **No aplaste, deje caer o dañe la batería. Nunca utilice una batería o cargador que se ha caído, aplastado, recibido un golpe contundente o ha sido dañado(a) de alguna manera.** Las baterías dañadas pueden sufrir explosiones. Deseche de inmediato toda batería que haya sufrido una caída o cualquier daño.
- **Las baterías pueden explotar en presencia de una fuente de inflamación, como una luz guía.** Para reducir el riesgo de lesiones corporales serias, nunca use un producto inalámbrico en presencia de llamas expuestas. La explosión de una batería puede lanzar fragmentos y compuestos químicos. Si ha quedado expuesto a la explosión de una batería, lávese de inmediato con agua.
- **No cargue herramientas de baterías en lugares mojados o húmedos.** Con el cumplimiento de esta regla se reduce el riesgo de una descarga eléctrica.
- **Para obtener resultados óptimos, debe cargar la herramienta de baterías en un lugar donde la temperatura esté entre 50°F y 100°F. No guarde la herramienta a la intemperie ni en el interior de vehículos.**
- **En condiciones extremas de uso o temperatura las baterías pueden emanar líquido. Si el líquido llega a tocarle la piel, lávese de inmediato con agua y jabón. Si le entra líquido en los ojos, láveselos con agua limpia por lo menos 10 minutos, y después busque de inmediato atención médica.** Con el cumplimiento de esta regla se reduce el riesgo de lesiones corporales serias.
- **Nunca deje desatendida ninguna herramienta con la batería instalada.**
- **Guarde estas instrucciones.** Consúltelas frecuentemente y utilícelas para instruir a otros usuarios. Si presta a alguien esta herramienta, facilítele también las instrucciones.

ADVERTENCIA:




Este producto y algunos polvos generados al efectuarse operaciones de lijado, aserrado, esmerilado, taladrado y de otros tipos en la construcción, contienen compuestos químicos sabidamente causantes de cáncer, defectos congénitos y otras afecciones del aparato reproductor. **Lávese las manos después de utilizar el aparato.** Algunos ejemplos de estas sustancias químicas son:

- plomo de las pinturas a base de plomo,
- silicio cristalino de los ladrillos, del cemento y de otros productos de albañilería, y
- arsénico y cromo de la madera químicamente tratada.





El riesgo de la exposición a estos compuestos varía, según la frecuencia con que se realice este tipo de trabajo. Para reducir la exposición personal a este tipo de compuestos: trabaje en áreas bien ventiladas, y con equipo de seguridad aprobado, tal como las caretas para el polvo especialmente diseñadas para filtrar partículas microscópicas.

SÍMBOLOS

Las siguientes palabras de señalización y sus significados tienen el objeto de explicar los niveles de riesgo relacionados con este producto.

SÍMBOLO	SEÑAL	SIGNIFICADO
	PELIGRO:	Indica una situación peligrosa inminente, la cual, si no se evita, causará la muerte o lesiones serias.
	ADVERTENCIA:	Indica una situación peligrosa posible, la cual, si no se evita, podría causar la muerte o lesiones serias.
	PRECAUCIÓN:	Indica una situación potencialmente peligrosa la cual, si no se evita, puede causar lesiones leves o moderadas.
	PRECAUCIÓN:	(Sin el símbolo de alerta de seguridad) Indica una situación que puede producir daños materiales.

Es posible que se empleen en este producto algunos de los siguientes símbolos. Le suplicamos estudiarlos y aprender su significado. Una correcta interpretación de estos símbolos le permitirá utilizar mejor y de manera más segura el producto.

SÍMBOLO	NOMBRE	DENOMINACIÓN/EXPLICACIÓN
	Alerta de seguridad	Indica un peligro posible de lesiones personales.
V	Volts	Voltaje
==	Corriente continua	Tipo o característica de corriente
PSI	Presión	La presión se mide en libras por pulgada cuadrada
GPH	Caudal	El caudal se mide según la cantidad máxima de galones de pintura que se rocía por hora
	Lea el manual del operador	Para reducir el riesgo de lesiones, el usuario debe leer y comprender el manual del operador antes de usar este producto.
	Protección ocular	Siempre póngase protección ocular con protección lateral con la marca de cumplimiento de la norma ANSI Z87.1.
	Símbolos reciclar	Este producto contiene baterías de níquel-cadmio (Ni-Cd) o iones de litio (Li-ion). Es posible que algunas leyes municipales, estatales o federales prohíban desechar las baterías de níquel-cadmio en la basura normal. Consulte a las autoridades reguladoras de desechos para obtener información en relación con las alternativas de reciclado y desecho disponibles.

CARACTERÍSTICAS

ESPECIFICACIONES DEL PRODUCTO

Caudal20,81 lph (5,5 GPH)
Tamaño del contenedor 0,9464 l (1 cto.)

Motor..... 18 V, corr. cont
Corriente de entrada del cargador 120 V, sólo corr. alt,
60 Hz.

CONOZCA SU ROCIADOR ELÉCTRICO DE PINTURA

Vea la figura 1, página 12.

Para usar este producto con la debida seguridad se debe comprender la información indicada en la herramienta misma y en este manual, y se debe comprender también el trabajo que intenta realizar. Antes de usar este producto, familiarícese con todas las características de funcionamiento y normas de seguridad del mismo.

NOVEDOSO DISEÑO DEL MOTOR

El novedoso diseño del motor implica menos vibración y ruido al usar su rociador.

GANCHO PARA GUARDAR LA UNIDAD INCORPORADO

El gancho para guardar la unidad incorporado le permite colgar el rociador para guardarlo.

CONTENEDOR DE ASEGURAMIENTO RÁPIDO

La característica de aseguramiento rápido permite instalar y eliminar fácilmente el contenedor de pintura.

PUNTAS DE ROCIADO

Las dos puntas de rociado suministradas le permiten elegir entre tres patrones de rociado diferentes: vertical, horizontal y circular.

ARMADO

DESEMPAQUETADO

Embarcamos este producto completamente armado.

- Extraiga cuidadosamente de la caja la producto y los accesorios. Asegúrese de que estén presentes todos los artículos enumerados en la lista de empaquetado.

ADVERTENCIA:

No use este producto si no está totalmente ensamblado o si alguna pieza falta o está dañada. Si utiliza un producto que no se encuentra ensamblado de forma correcta y completa, puede sufrir lesiones graves.

- Inspeccione cuidadosamente la producto para asegurarse de que no haya sufrido ninguna rotura o daño durante el transporte.
- No deseche el material de empaquetado hasta que haya inspeccionado cuidadosamente la producto y la haya utilizado satisfactoriamente.
- Si hay piezas dañadas o faltantes, le suplicamos llamar al 1-800-525-2579, donde le brindaremos asistencia.

LISTA DE EMPAQUETADO

Rociador eléctrico de pintura con contenedor de aseguramiento rápido y punta ancha en abanico de 304,8 mm (12 pulg.)

Válvula atomizadora de repuesto	Cepillo para limpiar
Lubricante	Cargador
Punta redonda de 25,4 mm (1 pulg.)	Bolsa de herramientas
Paquete de batería	Manual del operador

ADVERTENCIA:

Si falta o está dañada alguna pieza, no utilice este producto sin haber reemplazado la pieza. Usar este producto con partes dañadas o faltantes puede causar lesiones serias al operador.

ADVERTENCIA:

No intente modificar este producto ni hacer accesorios no recomendados para la misma. Cualquier alteración o modificación constituye maltrato el cual puede causar una condición peligrosa, y como consecuencia posibles lesiones corporales serias.

ADVERTENCIA:

No conecte la unidad al suministro de corriente sin haber terminado de armarla. De lo contrario la unidad puede ponerse en marcha accidentalmente, con el consiguiente riesgo de lesiones corporales serias.

FUNCIONAMIENTO

ADVERTENCIA:

No permita que su familiarización con este producto le vuelva descuidado. Tenga presente que un descuido de un instante es suficiente para causar una lesión grave.

ADVERTENCIA:

Siempre póngase protección ocular con protección lateral con la marca de cumplimiento de la norma ANSI Z87.1. La inobservancia de esta advertencia podría ocasionar la entrada de fluidos en sus ojos y provocar lesiones graves.

ADVERTENCIA:

No utilice ningún aditamento o accesorio no recomendado por el fabricante de esta herramienta. El empleo de aditamentos o accesorios no recomendados podría causar lesiones serias.

USOS

Este producto puede emplearse para el fines enumerado abajo:

- Pinturas y barnices para interiores y exteriores para terrazas, muebles de exteriores, cercas y paredes

Este producto acepta baterías de iones de litio de 18 V y de níquel-cadmio de 18 V. El período de funcionamiento obtenible con cada carga depende del tipo de trabajo hecho.

Para ver las instrucciones de carga completas, consulte los manuales del operador del paquete de baterías Ryobi One+ y los modelos de cargador.

CARACTERÍSTICAS DE PROTECCIÓN DE LAS BATERÍAS

Las baterías de iones de litio Ryobi de 18 V están diseñadas con características que protegen las celdas de iones de litio y maximizan la duración de las baterías.

Si la herramienta se detiene durante el uso, suelte el gatillo para reiniciarla y reanude el funcionamiento. Si aun así no funciona, se debe recargar la batería.

PARA DESMONTAR Y MONTAR EL PAQUETE DE BATERÍAS

Veja la figura 2, página 12.

ADVERTENCIA:

Retire siempre el paquete de baterías de la herramienta antes de instalar las piezas, realizar ajustes, limpiarla o cuando no la utilice. Retirar el paquete de baterías evitará que la unidad se accione accidentalmente y provoque lesiones graves.

Para conectar:

- Coloque el paquete de baterías en la producto, alineando la costilla realzada del paquete de baterías con el receptáculo para baterías de la herramienta.
- Asegúrese de que los pestillos situados en ambos lados del paquete de baterías entren completamente en su lugar con un chasquido y de que el paquete quede bien fijo en la herramienta antes de empezar a utilizar la herramienta.

Para el desmontaje:

- Localice los pestillos situados en el costado del paquete de baterías y oprímalos en ambos lados para liberar éste de la herramienta y retire el paquete de baterías.

ADVERTENCIA:

Las herramientas de baterías siempre están en condiciones de funcionamiento. Por lo tanto, siempre debe estar asegurado el interruptor cuando no esté usándose o el operador lo lleve por un lado.

ADVERTENCIA:

Riesgo de incendio o explosión. El área de rociado debe estar bien ventilada y lejos de chispas o llamas.

LLENADO DEL ROCIADOR CON PINTURA/ TINTE

Veja las figuras 3 y 4, página 12.

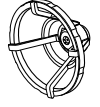
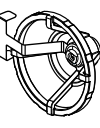
Retire y deseche cualquier capa que se haya formado en la superficie de la pintura o del tinte, luego mezcle bien el material en su contenedor original antes de comenzar a pintar.

NOTA: Es posible que se deba filtrar los contenedores de tinte y pintura más antiguos antes de usar el rociador.

- Quite el paquete de baterías del rociador.
- Retire el contenedor de aseguramiento rápido girándolo a la izquierda de tal manera que la flecha del contenedor se alinee con el símbolo “desasegurar” de la tapa.
- Llène el contenedor con pintura o tinte según se desee. No llene por encima de la marca de llenado máximo del contenedor.
- Vuelva a instalar el contenedor en el rociador y gírela a la derecha de tal manera que la flecha del contenedor se alinee con el símbolo “asegurar” en la tapa.

SELECCIÓN DE LA PUNTA DE ROCIADO ADECUADA

Veja la figura 5, página 13.

	Utilice una punta de ventilador redonda de 25,4 mm (1 pulg.) para materiales como pinturas y manchas látex. Esta redonda tiene un patrón de rociado redondo.
	Utilice una punta de ventilador de 304,8 mm (12 pulg.) de ancho para materiales pinturas látex, como pinturas al aceite, y manchas. Esta redonda ancha en abanico tiene un patrón de rociado ancho que puede ajustarse de horizontal a vertical.

Para cambiar las puntas:

- Quite el paquete de baterías del rociador.
- Retire la punta instalada girándola a la izquierda.
- Instale la punta deseada, gírela a la derecha y apriétela firmemente.

NOTA: La punta debe apretarse firmemente con la mano. Una punta demasiado floja o demasiado apretada puede provocar que el rociador presente fugas o daños.

FUNCIONAMIENTO

Para cambiar la dirección de la punta ancha en abanico:

- Afloje ligeramente la punta ancha en abanico girándola a la izquierda 1/4 de vuelta.
- Gire el brazo de ajuste 1/4 de vuelta hacia la dirección necesaria para cambiar la dirección del rociado de la punta.
- Al sostener el brazo de ajuste en su posición, gire la punta ancha en abanico a la derecha hasta que quede firmemente apretada.



ADVERTENCIA:

Para reducir el riesgo de inyección, no apunte el rociador a ninguna parte del cuerpo ni a otra persona. En el caso de inyección en la piel, busque atención médica de inmediato. No utilice la unidad sin la punta de rociado en su lugar.

FUNCIONAMIENTO DEL ROCIADOR

Vea las figuras 6 a 9, página 13.

- Coloque una línea de lubricante en el pistón. Para tener acceso al pistón, siga las instrucciones en **Cómo limpiar el rociador para almacenamiento** de la sección *Mantenimiento* de este manual.
- Asegúrese de que la superficie que se pintará no tenga polvo, suciedad ni grasa.

- Tape o cubra cualquier área que no deba ser pintada o teñida. Esté atento al viento que pueda provocar que la pintura o el tinte se rocíen en áreas no deseadas. Utilice siempre protecciones u otras cubiertas para proteger las áreas que no deban pintarse o teñirse.

- Llene el contenedor de aseguramiento rápido con no más de 1 cuarto de la pintura o el tinte deseados.

NOTA: Después de volver a llenar el contenedor de aseguramiento rápido 4 veces, agregue una línea de lubricante al pistón. Vea la sección **Limpieza del rociador para guardarlo** para obtener instrucciones sobre cómo desarmar el rociador para tener acceso al pistón.

- Seleccione la punta de rociado adecuada para el patrón de rociado deseado.
- Instale el paquete de baterías del rociador.
- Tire del gatillo del interruptor para rociar pintura. Suelte el gatillo del interruptor para detener el rociado de pintura.
- Practique rociando sobre un pedazo de material de desecho para probar su patrón de rociado y para cebar la bomba antes de comenzar. Si no puede lograr un buen patrón de rociado con una cantidad de pintura o tinte pareja durante toda la aplicación, consulte la sección **Corrección de problemas** que aparece más adelante, en este manual.

NOTA: La bomba debe cebarse después de cada cambio de pintura y la primera vez que la utilice después de haber estado guardada. Rocíe pintura en una superficie de desecho durante, al menos, 20 segundos para cebar la bomba.

- Para producir una capa pareja sobre toda la superficie:
 - Mueva el brazo a una velocidad constante y asegúrese de mover todo el brazo, no solo la muñeca.
 - Mantenga el rociador a una misma distancia del área que se está rociando, que debe ser de entre 203,2 mm (8 pulg.) y 254 mm (10 pulg.) desde la punta del rociador hasta la superficie que se está rociando.

- Oprima el gatillo para comenzar a rociar el material que desea pintar. Utilice el rociador en recorridos rectos horizontales o verticales sobre la superficie que se está pintando, luego, suelte el gatillo para detener la pulverización.

NOTA: Para obtener una calidad consistente de pulverización cuando se trabaja con pinturas decapantes, puede ser necesario mantener el gatillo oprimido entre cada recorrido.

- Cuando termine, quite el paquete de baterías, vuelva a colocar la pintura o el tinte que no haya utilizado en su contenedor original, y limpie bien el rociador.

PRECAUCIÓN:

Es importante limpiar bien el rociador después de cada uso o al cambiar de color. Dejar que la pintura o el tinte permanezcan en una herramienta sin uso durante un período prolongado puede provocar que sus piezas móviles se agarren.



ADVERTENCIA:

No limpie con líquidos inflamables como decapante para pinturas, quitapinturas, limpiador para brochas, destilados de petróleo, diluyente de laca, trementina, acetona, gasolina, querosene, etc.

LIMPIEZA DEL ROCIADOR DESPUÉS DE UTILIZARLO

La solución que se utiliza para limpiar el rociador se determina según el tipo de material que se ha rociado. Para cualquier otro material que no sea látex, usar el revolucionario diluyente para pintura de fórmula blanca Klean-Strip®, el diluyente para pintura más seguro y ecológico Klean-Strip®, el diluyente NEXT para pintura de CROWN®, o cualquier otro diluyente para pintura no inflamable (luego del uso de productos a base de aceite). Siga las instrucciones del fabricante del material para una limpieza adecuada.

Para limpiar el rociador a fin de guardarlo durante un breve período:

- Quite el paquete de baterías del rociador.
- Si aún no lo ha hecho, retire el contenedor de pintura y vuelva a colocar toda la pintura o el tinte que no haya utilizado en su contenedor original.
- Llene el contenedor de pintura con agua tibia (siguiendo las instrucciones de los productos de látex) o con el revolucionario diluyente para pintura de fórmula blanca Klean-Strip®, diluyente de pintura ecológico Klean-Strip®, el diluyente NEXT para pintura de CROWN® o cualquier otro diluyente de pintura no inflamable (siguiendo las instrucciones de los productos al aceite).
- Vuelva a colocar el contenedor de pintura.
- Instale el paquete de baterías del rociador.
- Rocíe la solución sobre un pedazo de cartón u otro material de desecho. Siga rociando hasta que se haya utilizado toda la solución.
- Quite el paquete de baterías del rociador.
- Coloque una línea de lubricante en el pistón. Para tener acceso al pistón, siga las instrucciones en **Cómo limpiar el rociador para almacenamiento** de la sección *Mantenimiento* de este manual.
- Utilice un paño húmedo para limpiar la parte exterior del rociador. Ahora, la unidad está lista para guardar.

MANTENIMIENTO

ADVERTENCIA:

Al dar servicio a la unidad, sólo utilice piezas de repuesto idénticas. El empleo de piezas diferentes puede causar un peligro o dañar el producto.

ADVERTENCIA:

Siempre póngase protección ocular con protección lateral con la marca de cumplimiento de la norma ANSI Z87.1. La inobservancia de esta advertencia podría ocasionar la entrada de fluidos en sus ojos y provocar lesiones graves.

PROCEDIMIENTOS DE MANTENIMIENTO

NOTA: Siempre quite el paquete de baterías de la unidad antes de realizar el servicio de la unidad.

Evite el empleo de solventes al limpiar piezas de plástico. La mayoría de los plásticos son susceptibles a diferentes tipos de solventes comerciales y pueden resultar dañados. Utilice paños limpios para eliminar la suciedad, el polvo, el aceite, la grasa, etc.

ADVERTENCIA:

No permita en ningún momento que fluidos para frenos, gasolina, aceites penetrantes, etc., lleguen a tocar las piezas de plástico. Las sustancias químicas pueden dañar, debilitar o destruir el plástico, lo cual a su vez puede producir lesiones corporales serias.

LIMPIEZA DEL ROCIADOR PARA GUARDARLO

Vea las figuras 8 y 9, página 13.

Una vez que haya terminado su proyecto y esté listo para guardar el rociador, se recomienda realizarle una buena limpieza y lubricación.

- Quite el paquete de baterías del rociador.
- Retire el contenedor de pintura.
- Si aún no lo ha hecho, vuelva a colocar toda la pintura o el tinte que no haya utilizado en su contenedor original.
- Llene el contenedor de pintura con agua tibia (siguiendo las instrucciones de los productos de látex) o con el revolucionario diluyente para pintura de fórmula blanca Klean-Strip®, diluyente de pintura ecológico Klean-Strip®, el diluyente NEXT para pintura de CROWN® o cualquier otro diluyente de pintura no inflamable (siguiendo las instrucciones de los productos al aceite).
- Vuelva a colocar el contenedor de pintura.
- Enchufe el rociador.
- Rocíe la solución sobre un pedazo de cartón u otro material de desecho. Siga rociando hasta que se haya utilizado toda la solución.
- Quite el paquete de baterías del rociador.
- Retire el contenedor de pintura.
- Retire el tubo de succión y el filtro y deposítelos a un lado.
- Retire la punta de rociado instalada girándola a la izquierda y deposítela a un lado.
- Retire el conjunto de la válvula atomizadora y deposítela a un lado.
- Retire la tuerca de seguridad girándola a la izquierda.

- Deslice el conjunto de alojamiento de la bomba/la tapa del contenedor fuera del rociador.
- Tire del pistón y desprenda el alojamiento de la bomba.
- Con el cepillo para limpiar suministrado y una solución acorde con el último tipo de pintura o tinte que roció, limpie profundamente todas las piezas mencionadas arriba.

NOTA: Asegúrese de restregar bien dentro de la abertura del alojamiento de la bomba de tal manera que no queden restos de materiales de pintura o tinte.

- Limpie el orificio de ventilación del alojamiento de la bomba con un clip para papel enderezado o un mondadientes.

Para volver a armar la unidad:

- Coloque una línea de lubricante en el pistón.
- Deslice el resorte hacia atrás sobre el pistón.
- Introduzca el pistón y el conjunto del resorte en la parte posterior del alojamiento de la bomba.
- Vuelva a colocar el conjunto del alojamiento de la bomba/la tapa del contenedor dentro del rociador.
- Vuelva a colocar la tuerca de seguridad en el alojamiento del motor empujándola hacia adentro mientras la gira a la derecha para asegurarla.
- Introduzca el conjunto de la válvula atomizadora en la abertura delantera del alojamiento de la bomba.
- Vuelva a colocar la punta de rociado y gire a la derecha para asegurarla.
- Vuelva a colocar el tubo de succión y el filtro.
- Vuelva a colocar el contenedor de pintura.
- Ahora, el rociador está listo para guardar.

REEMPLAZO DEL CONJUNTO DE VÁLVULA ATOMIZADORA

Vea la figura 10, página 13.

La válvula atomizadora provoca que el material de pintura o tinte gire cuando sale del rociador. Después de entre 26,5 (7 gal.) y 37,85 l (10 gal.) de pintura o tinte, es posible que la válvula atomizadora deje de realizar un buen patrón de rociado y sea necesario reemplazarla.

Para reemplazar el conjunto:

- Quite el paquete de baterías del rociador.
- Gire la punta de rociado a la izquierda y retírela.
- Retire el conjunto de válvula atomizadora y deséchelo.
- Instale el conjunto de válvula atomizadora nuevo.
- Vuelva a colocar la punta de rociado y gire a la derecha para asegurarla.

REMOCIÓN Y PREPARACIÓN DEL PAQUETE DE BATERÍAS PARA EL RECICLADO

ADVERTENCIA:

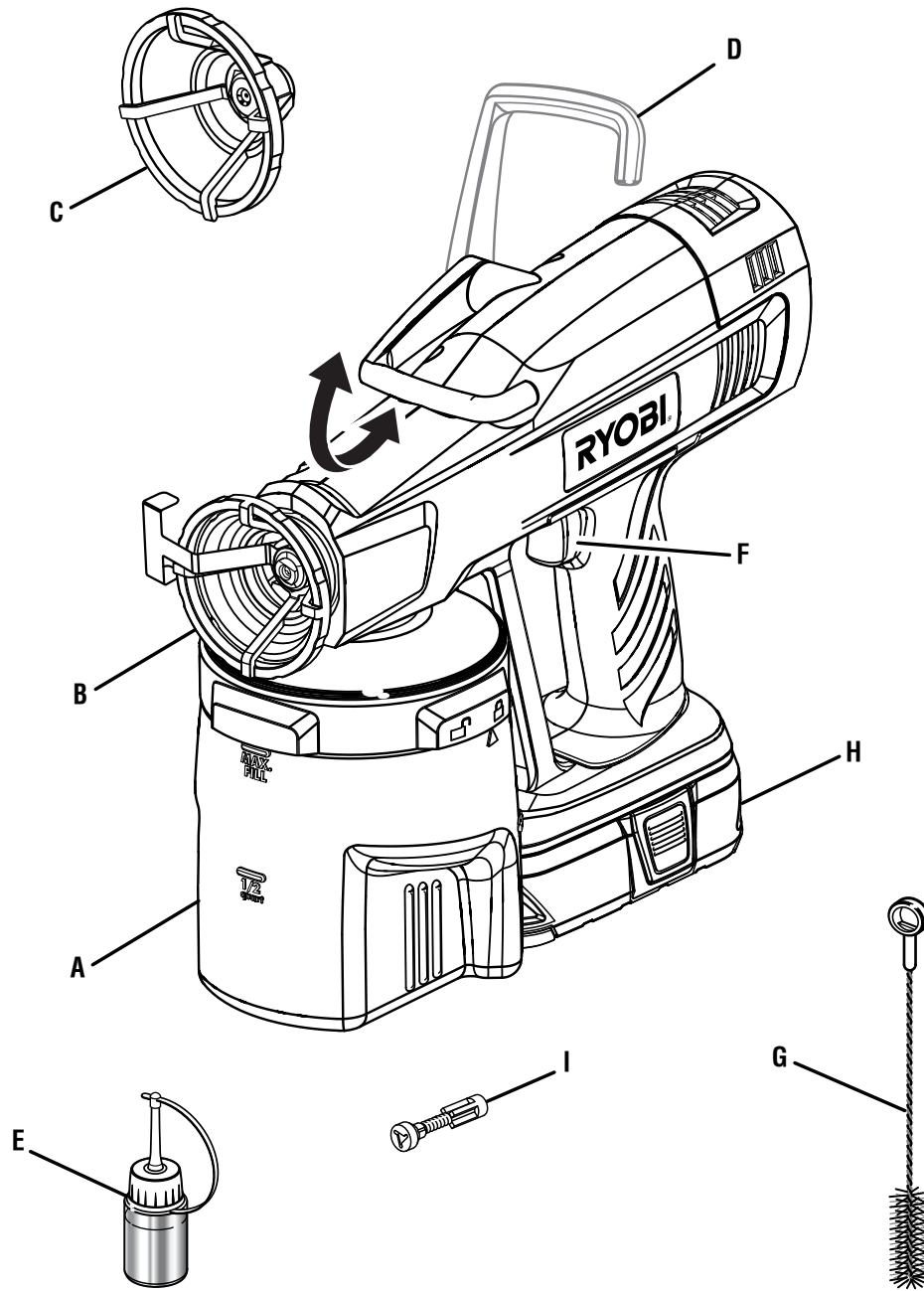
Al retirar el paquete de baterías, cubra las terminales del mismo con cinta adhesiva reforzada. No intente destruir o desarmar el paquete de baterías, ni de desmontar ninguno de sus componentes. Las baterías deben reciclarse o desecharse debidamente. Asimismo, nunca toque ambas terminales con objetos metálicos y partes del cuerpo, ya que puede producirse un corto circuito. Manténgase fuera del alcance de los niños. La inobservancia de estas advertencias puede causar incendios y lesiones corporales serias.

CORRECCIÓN DE PROBLEMAS

PROBLEMA	CAUSA	POSIBLE SOLUCIÓN
El motor no funciona.	La batería no está cargada.	Cargue la batería.
El motor se recalienta.	El pistón está agarrotado. Operación de rociado continua.	Limpie bien el rociador según las instrucciones de limpieza para guardarlo durante un largo período que figuran en la sección <i>Mantenimiento</i> de este manual. Suelte el gatillo al terminar cada pasada para dejar que el motor se enfríe.
El motor tiene un zumbido bajo, pero no rocía.	El pistón está agarrotado.	Limpie bien el rociador según las instrucciones de limpieza para guardarlo durante un largo período que figuran en la sección <i>Mantenimiento</i> de este manual.
El motor parece estar funcionando adecuadamente pero no rocía.	El tubo de succión y el filtro están flojos o dañados. La válvula atomizadora está obstruida o desgastada. El material que se está rociando es demasiado espeso. La punta de rociado o el filtro de entrada están tapados; pistón desgastado.	Vuelva a instalar o reemplace el tubo de succión y el filtro, según sea necesario. Limpie o reemplace la válvula atomizadora. Siga las instrucciones del fabricante del material para diluir el material, según sea necesario. Limpie bien el rociador y, de ser necesario, reemplace el pistón*, siguiendo las instrucciones de limpieza para guardar la unidad que figuran en la sección <i>Mantenimiento</i> de este manual.
El material rociado salpica o forma globos	El volumen del contenedor de pintura está bajando. El material que se está rociando es demasiado espeso. El tubo de succión está flojo. La válvula atomizadora está obstruida o desgastada. La punta de rociado o el pistón están desgastados. La pintura se ha agitado y tiene burbujas de aire.	Vuelva a llenar el contenedor de pintura. Siga las instrucciones del fabricante del material para diluir el material, según sea necesario. Vuelva a instalar el tubo de succión firmemente. Limpie o reemplace la válvula atomizadora. Limpie o reemplace la punta de rociado o el pistón*. Deje asentar la pintura aproximadamente 1 hora para que se estabilice y vuelva a intentarlo.
El sobrerociado de pintura/tinte es excesivo.	La punta de rociado está demasiado lejos de la superficie que se está rociando.	Sostenga el rociador más cerca de la superficie que está rociando.
La pintura/el tinte se corre o se desprende de la superficie de trabajo.	No se están siguiendo los métodos de pintura adecuados.	Consulte la sección Funcionamiento del rociador que figura anteriormente en este manual.
Hay fugas de pintura/tinte detrás de la punta de rociado.	La punta de rociado está floja. La válvula atomizadora está desgastada o no está colocada adecuadamente.	Apriete la punta de rociado. Vuelva a colocar o a ubicar la válvula atomizadora, según sea necesario.

* Aunque sea poco probable, puede tratarse de un pistón desgastado. Se puede comprar un pistón de repuesto llamando al servicio al cliente al 1-800-525-2579. Siga las instrucciones de la sección **Limpieza del rociador para guardarlo** para tener acceso al pistón y reemplazarlo.

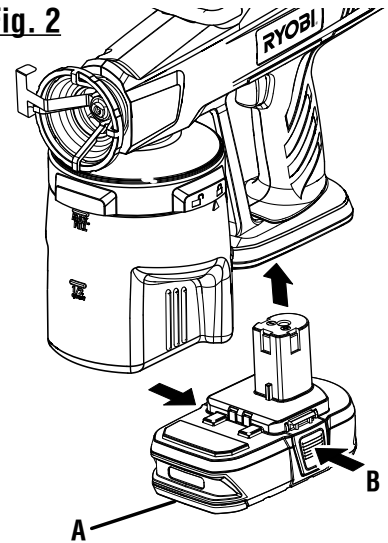
Fig. 1



A - 1 qt. quick-lock container [réservoir à verrouillage rapide de 0,9464 l (1 pte.), contenedor de aseguramiento rápido de 0,9464 l (1 cto.)]
B - 12 in. wide fan tip [embout de pulvérisation en éventail de 304,8 mm (12 po), punta ancha en abanico de 304,8 mm (12 pulg.)]
C - 1 in. round fan tip [embout de pulvérisation circulaire de 25,4 mm (1 po), punta redonda en abanico de 25,4 mm (1 pulg.)]
D - Storage hook (crochet de rangement, gancho para guardar)

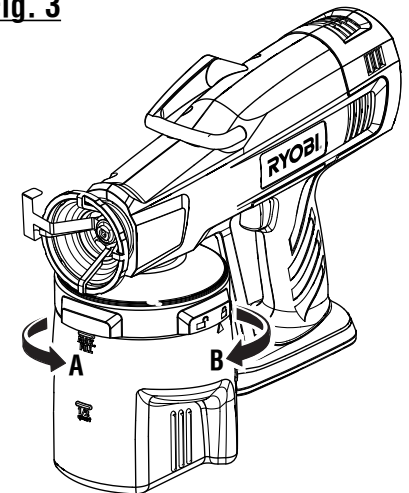
E - Lubricant bottle (bouteille d'huile, botella de lubricante)
F - Switch trigger (gâchette, gatillo del interruptor)
G - Cleaning brush (brosse de nettoyage, cepillo para limpiar)
H - Battery pack (bloc-piles, paquete de baterías)
I - Replacement atomizer valve assembly (ensemble valve de pulvérisateur de remplacement, reemplazo del conjunto de la válvula atomizadora)

Fig. 2



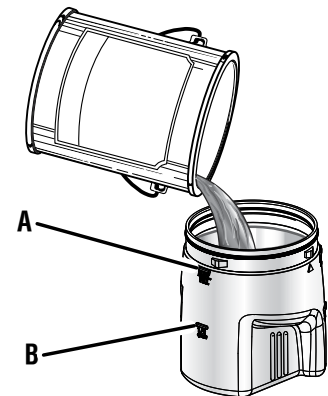
A - Battery pack (bloc-piles, paquete de baterías)
B - Depress latches to release battery pack (appuyer sur les loquets pour libérer le bloc-piles; para soltar, el paquete de baterías oprima los pestillos)

Fig. 3



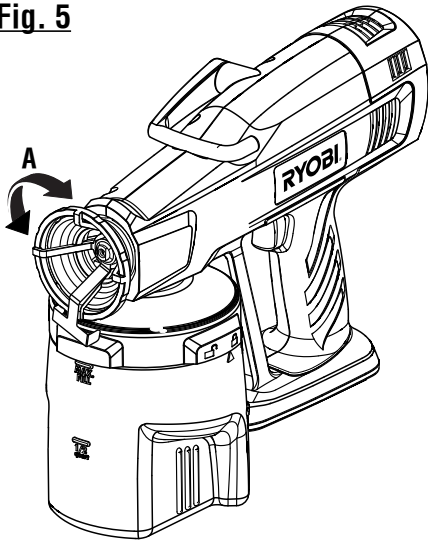
A - Lock (verrouillage, asegurar)
B - Unlock (déverrouillage, desasegurar)

Fig. 4

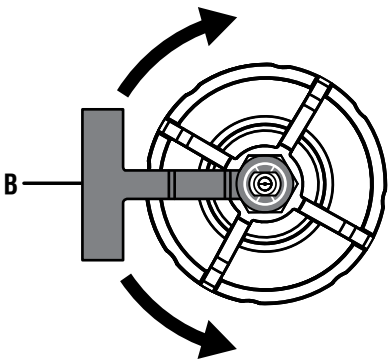


A - Max fill line (ligne de remplissage maximal, línea de llenado máximo)
B - 1/2 quart fill line (ligne de remplissage 1/2 pinte, línea de llenado de 1/2 cuarto)

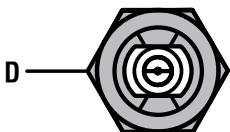
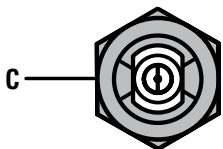
Fig. 5



A - Rotate spray tip 1/4 turn counterclockwise to loosen (Tourner l'embout de pulvérisation 1/4 de tour dans le sens antihoraire pour le desserrer, Gire la punta de rociado 1/4 de vuelta a la izquierda para aflojarla)



B - Rotate adjusting arm 1/4 turn to change direction of paint spray from horizontal to vertical (tourner le bras de réglage 1/4 de tour afin de passer de la pulvérisation horizontale à la pulvérisation verticale, gire el brazo de ajuste 1/4 de vuelta para cambiar la dirección de rociado de la pintura de horizontal a vertical)



C - Vertical spray direction (pulvérisation verticale, dirección de rociado vertical)
 D - Horizontal spray direction (pulvérisation horizontale, dirección de rociado horizontal)

Fig. 6

**CORRECT SPRAY TECHNIQUE
 (BONNE TECHNIQUE DE PULVÉRISATION,
 TÉCNICA DE ROCIADO CORRECTA)**

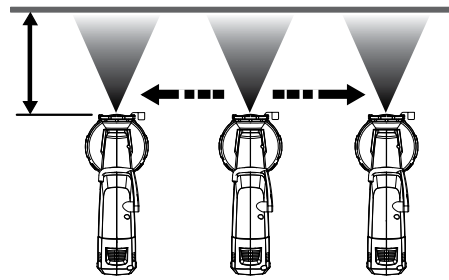


Fig. 7

**INCORRECT SPRAY TECHNIQUE
 (MAUVAISE TECHNIQUE DE PULVÉRISATION,
 TÉCNICA DE ROCIADO INCORRECTA)**

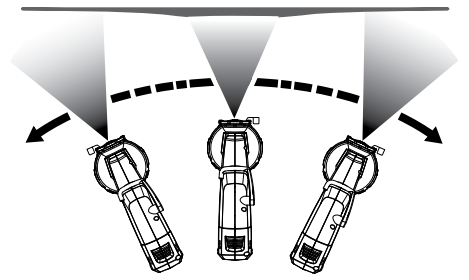
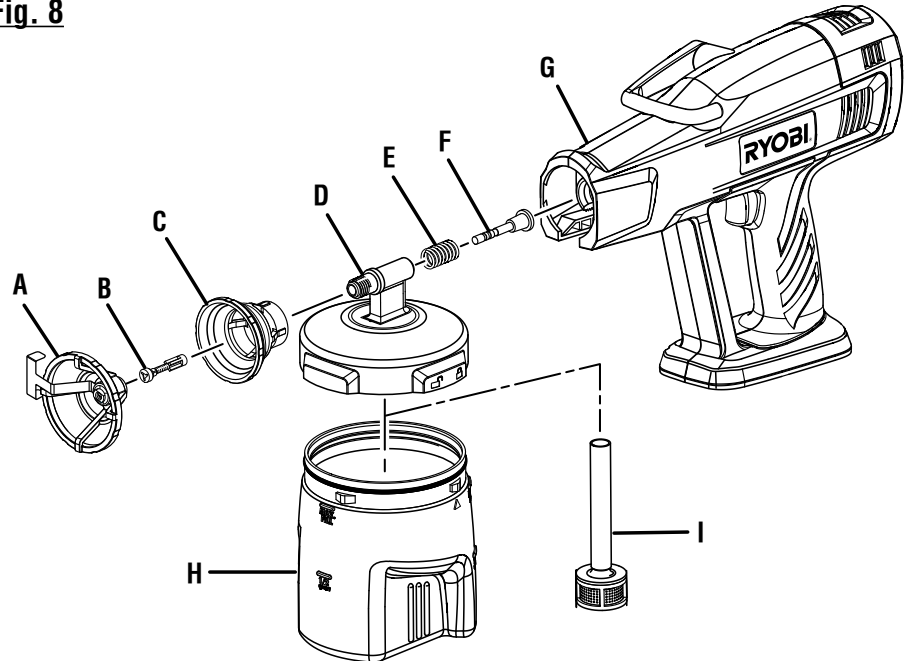


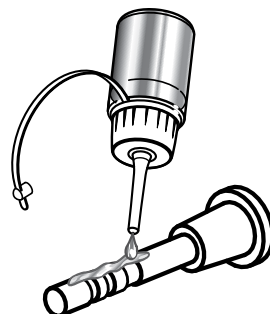
Fig. 8



A - Spray tip (embout de pulvérisation, punta de rociado)
 B - Atomizer valve assembly (ensemble valve de pulvérisateur, conjunto de válvula atomizadora)
 C - Locking nut (écrou de verrouillage, tuerca de seguridad)
 D - Pump housing assembly/container lid (couvercle du réservoir/ensemble logement de la pompe, conjunto de alojamiento de la bomba/tapa del contenedor)

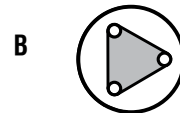
E - Spring (ressort, resorte)
 F - Piston (piston, pistón)
 G - Sprayer housing (logement du pistolet, alojamiento del rociador)
 H - Quick-lock container (réservoir à verrouillage rapide, contenedor de aseguramiento rápido)
 I - Suction tube and filter (tube et filtre de succion, tubo de succión y filtro)

Fig. 9



**PLACE LINE OF LUBRICANT
 ON PISTON SHAFT
 (PLACER UNE PELLICULE DE LUBRIFIANT
 SUR L'ARBRE DE PISTON,
 PLACER UNE PELLICULE DE LUBRIFIANT
 SUR L'ARBRE DE PISTON)**

Fig. 10



A - Atomizer valve is good (La valve de pulvérisateur est en bon état, La válvula atomizadora está en buen estado)
 B - Atomizer valve is bad and needs to be replaced (La valve de pulvérisateur est en mauvais état et doit être remplacée, La válvula atomizadora está en mal estado y necesita ser reemplazada)

