

RYOBI



REGISTER YOUR TOOLS

<http://register.ryobitools.com>
1-800-525-2579

For quick tool registration and service – scan and download the RYOBI app.

OPERATOR'S MANUAL

MANUEL D'UTILISATION
MANUAL DEL OPERADOR

18 V PORTABLE BAND SAW

SCIE À RUBAN PORTABLE DE 18 V

SIERRA DE BANDA PORTÁTIL DE 18 V

P590

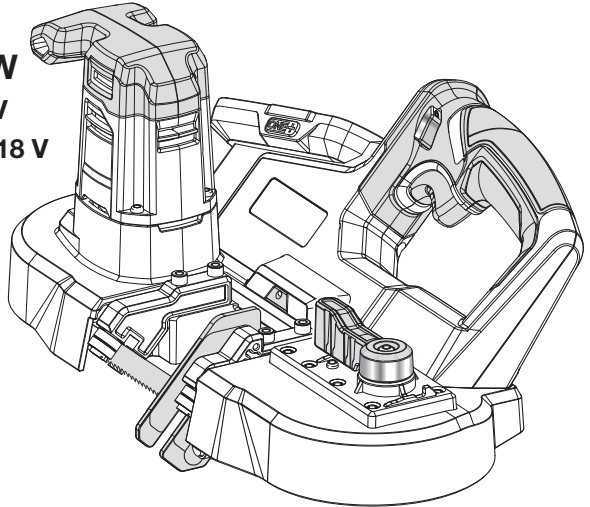


TABLE OF CONTENTS

■ General Power Tool Safety Warnings.....	2-3
■ Portable Band Saw Safety Warnings..	4
■ Symbols.....	4-5
■ Features.....	5
■ Assembly.....	5
■ Operation.....	6-7
■ Maintenance.....	8
■ Illustrations.....	9-11
■ Parts Ordering and Service.....	Back page

TABLE DES MATIÈRES

■ Avertissements de sécurité générales relatives aux outils électriques.....	2-3
■ Avertissements de sécurité relatifs la scie à ruban portable.....	4
■ Symboles.....	5
■ Caractéristiques.....	5
■ Assemblage.....	6
■ Utilisation.....	6-7
■ Entretien.....	8
■ Illustrations.....	9-11
■ Commande de pièces et dépannage.....	Page arrière

ÍNDICE DE CONTENIDO

■ Advertencias de seguridad para herramientas eléctrica.....	2-4
■ Advertencias de seguridad de la sierra de banda portátil.....	4
■ Símbolos.....	5
■ Características.....	5
■ Armado.....	6
■ Funcionamiento.....	6-7
■ Mantenimiento.....	8
■ Ilustraciones.....	9-11
■ Pedidos de piezas y servicio.....	Pág. posterior

⚠ WARNING: To reduce the risk of injury, the user must read and understand the operator's manual before using this product.

⚠ AVERTISSEMENT : Pour réduire les risques de blessures, l'utilisateur doit lire et veiller à bien comprendre le manuel d'utilisation avant d'employer ce produit.

⚠ ADVERTENCIA: Para reducir el riesgo de lesiones, el usuario debe leer y comprender el manual del operador antes de usar este producto.

SAVE THIS MANUAL FOR
FUTURE REFERENCE

CONSERVER CE MANUEL
POUR FUTURE RÉFÉRENCE

GUARDE ESTE MANUAL
PARA FUTURAS CONSULTAS

GENERAL POWER TOOL SAFETY WARNINGS



WARNING

Read all safety warnings, instructions, illustrations and specifications provided with this power tool. Failure to follow all instructions listed below may result in electric shock, fire and/or serious injury.

Save all warnings and instructions for future reference. The term "power tool" in the warnings refers to your mains-operated (corded) power tool or battery-operated (cordless) power tool.

WORK AREA SAFETY

- **Keep work area clean and well lit.** Cluttered or dark areas invite accidents.
- **Do not operate power tools in explosive atmospheres, such as in the presence of flammable liquids, gases or dust.** Power tools create sparks which may ignite the dust or fumes.
- **Keep children and bystanders away while operating a power tool.** Distractions can cause you to lose control.

ELECTRICAL SAFETY

- **Power tool plugs must match the outlet. Never modify the plug in any way. Do not use any adapter plugs with earthed (grounded) power tools.** Unmodified plugs and matching outlets will reduce risk of electric shock.
- **Avoid body contact with earthed or grounded surfaces, such as pipes, radiators, ranges and refrigerators.** There is an increased risk of electric shock if your body is earthed or grounded.
- **Do not expose power tools to rain or wet conditions.** Water entering a power tool will increase the risk of electric shock.
- **Do not abuse the cord. Never use the cord for carrying, pulling or unplugging the power tool. Keep cord away from heat, oil, sharp edges or moving parts.** Damaged or entangled cords increase the risk of electric shock.
- **When operating a power tool outdoors, use an extension cord suitable for outdoor use.** Use of a cord suitable for outdoor use reduces the risk of electric shock.
- **If operating a power tool in a damp location is unavoidable, use a ground fault circuit interrupter (GFCI) protected supply.** Use of a GFCI reduces the risk of electric shock.
- **Use this product only with batteries and chargers listed in tool/appliance/battery pack/charger correlation supplement 987000-432**

PERSONAL SAFETY

- **Stay alert, watch what you are doing and use common sense when operating a power tool. Do not use a power tool while you are tired or under the influence of drugs,**

alcohol or medication. A moment of inattention while operating power tools may result in serious personal injury.

- **Use personal protective equipment. Always wear eye protection.** Protective equipment such as dust mask, non-skid safety shoes, hard hat, or hearing protection used for appropriate conditions will reduce personal injuries.
- **Prevent unintentional starting. Ensure the switch is in the off-position before connecting to power source and/or battery pack, picking up or carrying the tool.** Carrying power tools with your finger on the switch or energizing power tools that have the switch on invites accidents.
- **Remove any adjusting key or wrench before turning the power tool on.** A wrench or a key left attached to a rotating part of the power tool may result in personal injury.
- **Do not overreach. Keep proper footing and balance at all times.** This enables better control of the power tool in unexpected situations.
- **Dress properly. Do not wear loose clothing or jewelry. Keep your hair, clothing and gloves away from moving parts.** Loose clothes, jewelry or long hair can be caught in moving parts.
- **If devices are provided for the connection of dust extraction and collection facilities, ensure these are connected and properly used.** Use of dust collection can reduce dust-related hazards.
- **Do not let familiarity gained from frequent use of tools allow you to become complacent and ignore tool safety principles.** A careless action can cause severe injury within a fraction of a second.
- **Do not wear loose clothing or jewelry.** Contain long hair. Loose clothes, jewelry, or long hair can be drawn into air vents.
- **Do not use on a ladder or unstable support.** Stable footing on a solid surface enables better control of the power tool in unexpected situations.

POWER TOOL USE AND CARE

- **Do not force the power tool. Use the correct power tool for your application.** The correct power tool will do the job better and safer at the rate for which it was designed.
- **Do not use the power tool if the switch does not turn it on and off.** Any power tool that cannot be controlled with the switch is dangerous and must be repaired.
- **Disconnect the plug from the power source and/or remove the battery pack, if detachable, from the power tool before making any adjustments, changing accessories, or storing power tools.** Such preventive safety measures reduce the risk of starting the power tool accidentally.
- **Store idle power tools out of the reach of children and do not allow persons unfamiliar with the power tool or these instructions to operate the power tool.** Power tools are dangerous in the hands of untrained users.

GENERAL POWER TOOL SAFETY WARNINGS

- **Maintain power tools and accessories.** Check for misalignment or binding of moving parts, breakage of parts and any other condition that may affect the power tool's operation. If damaged, have the power tool repaired before use. Many accidents are caused by poorly maintained power tools.
- **Keep cutting tools sharp and clean.** Properly maintained cutting tools with sharp cutting edges are less likely to bind and are easier to control.
- **Use the power tool, accessories and tool bits etc. in accordance with these instructions, taking into account the working conditions and the work to be performed.** Use of the power tool for operations different from those intended could result in a hazardous situation.
- **Keep handles and grasping surfaces dry, clean and free from oil and grease.** Slippery handles and grasping surfaces do not allow for safe handling and control of the tool in unexpected situations.

BATTERY TOOL USE AND CARE

- **Recharge only with the charger specified by the manufacturer.** A charger that is suitable for one type of battery pack may create a risk of fire when used with another battery pack.
- **Use power tools only with specifically designated battery packs.** Use of any other battery packs may create a risk of injury and fire.
- **When battery pack is not in use, keep it away from other metal objects, like paper clips, coins, keys, nails,**

screws or other small metal objects, that can make a connection from one terminal to another. Shorting the battery terminals together may cause burns or a fire.

- **Under abusive conditions, liquid may be ejected from the battery; avoid contact. If contact accidentally occurs, flush with water. If liquid contacts eyes, additionally seek medical help.** Liquid ejected from the battery may cause irritation or burns.
- **Do not use a battery pack or tool that is damaged or modified.** Damaged or modified batteries may exhibit unpredictable behavior resulting in fire, explosion or risk of injury.
- **Do not expose a battery pack or tool to fire or excessive temperature.** Exposure to fire or temperature above 265°F may cause explosion.
- **Follow all charging instructions and do not charge the battery pack or tool outside the temperature range specified in the instructions.** Charging improperly or at temperatures outside the specified range may damage the battery and increase the risk of fire.

SERVICE

- **Have your power tool serviced by a qualified repair person using only identical replacement parts.** This will ensure that the safety of the power tool is maintained.
- **Never service damaged battery packs.** Service of battery packs should only be performed by the manufacturer or authorized service providers.

PORTABLE BAND SAW SAFETY WARNINGS

- **Hold power tool by insulated gripping surfaces, when performing an operation where the cutting accessory may contact hidden wiring.** Cutting accessories contacting a "live" wire may make exposed metal parts of the power tool "live" and could give the operator an electric shock.
- **DANGER: Keep hands away from cutting area and the blade. Keep your second hand on handle.** If both hands are holding the saw, they cannot be cut by the blade.
- **Use clamps or another practical way to secure and support the workpiece to a stable platform.** Holding the workpiece by hand or against your body leaves it unstable and may lead to loss of control.
- **Know your power tool. Read operator's manual carefully. Learn its applications and limitations, as well as the specific potential hazards related to this power tool.** Following this rule will reduce the risk of electric shock, fire, or serious injury.
- **Always wear eye protection with side shields marked to comply with ANSI Z87.1 when assembling parts,**

operating the tool, or performing maintenance. Following this rule will reduce the risk of serious personal injury.

- **Protect your lungs. Wear a face or dust mask if the operation is dusty.** Following this rule will reduce the risk of serious personal injury.
- **Protect your hearing. Wear hearing protection during extended periods of operation.** Following this rule will reduce the risk of serious personal injury.
- **Battery tools do not have to be plugged into an electrical outlet; therefore, they are always in operating condition. Be aware of possible hazards when not using your battery tool or when changing accessories.** Following this rule will reduce the risk of electric shock, fire, or serious personal injury.
- **Do not place battery tools or their batteries near fire or heat.** This will reduce the risk of explosion and possibly injury.
- **Do not crush, drop or damage battery pack. Do not use a battery pack or charger that has been dropped**

PORTABLE BAND SAW SAFETY WARNINGS

or received a sharp blow. A damaged battery is subject to explosion. Properly dispose of a dropped or damaged battery immediately.




- **Batteries can explode in the presence of a source of ignition, such as a pilot light.** To reduce the risk of serious personal injury, never use any cordless product in the presence of open flame. An exploded battery can propel debris and chemicals. If exposed, flush with water immediately.
- **Do not charge battery tool in a damp or wet location. Do not use, store, or charge battery packs or products**

in locations where the temperature is less than 50°F or more than 100°F. Do not store outside or in vehicles.






- **Under extreme usage or temperature conditions, battery leakage may occur. If liquid comes in contact with your skin, wash immediately with soap and water. If liquid gets into your eyes, flush them with clean water for at least 10 minutes, then seek immediate medical attention.** Following this rule will reduce the risk of serious personal injury.
- **Save these instructions.** Refer to them frequently and use them to instruct others who may use this tool. If you loan someone this tool, loan them these instructions also.

SYMBOLS

The following signal words and meanings are intended to explain the levels of risk associated with this product.

SYMBOL	SIGNAL	MEANING
	DANGER:	Indicates a hazardous situation, which, if not avoided, will result in death or serious injury.
	WARNING:	Indicates a hazardous situation, which, if not avoided, could result in death or serious injury.
	CAUTION:	Indicates a hazardous situation, that, if not avoided, may result in minor or moderate injury.
	NOTICE:	(Without Safety Alert Symbol) Indicates information considered important, but not related to a potential injury (e.g. messages relating to property damage).

Some of the following symbols may be used on this product. Please study them and learn their meaning. Proper interpretation of these symbols will allow you to operate the product better and safer.

SYMBOL	NAME	DESIGNATION/EXPLANATION
	Safety Alert	Indicates a potential personal injury hazard.
	Read Operator's Manual	To reduce the risk of injury, user must read and understand operator's manual before using this product.
	Eye Protection	Always wear eye protection with side shields marked to comply with ANSI Z87.1.
	Wet Conditions Alert	Do not expose to rain or use in damp locations.
	Recycle Symbol	This product uses lithium-ion (Li-ion) batteries. Local, state or federal laws may prohibit disposal of batteries in ordinary trash. Consult your local waste authority for information regarding available recycling and/or disposal options.

SYMBOLS

Some of the following symbols may be used on this product. Please study them and learn their meaning. Proper interpretation of these symbols will allow you to operate the product better and safer.

SYMBOL	NAME	DESIGNATION/EXPLANATION
V	Volts	Voltage
min	Minutes	Time
—	Direct Current	Type or a characteristic of current
n_0	No Load Speed	Rotational speed, at no load
.../min	Per Minute	Revolutions, strokes, surface speed, orbits etc., per minute

FEATURES

PRODUCT SPECIFICATIONS

Cut Capacity.....	2.5 in.	Blade Thickness.....	0.020 in.
Blade Type.....	Bi-metal, 18 teeth per inch (TPI)	Blade Length.....	32.875 in.
Blade Width.....	0.5 in.	Blade Speed (surface feet per minute).....	560 SFPM

ASSEMBLY

WARNING:

Do not use this product if it is not completely assembled or if any parts appear to be missing or damaged. Use of a product that is not properly and completely assembled or with damaged or missing parts could result in serious personal injury.

WARNING:

Do not attempt to modify this product or create accessories or attachments not recommended for use with this product. Any such alteration or modification is misuse and could result in a hazardous condition leading to possible serious personal injury.

If any parts are damaged or missing, please call 1-800-525-2579 for assistance.

OPERATION

WARNING:

Do not allow familiarity with this product to make you careless. Remember that a careless fraction of a second is sufficient to inflict serious injury.

WARNING:

Always remove battery pack from the tool when you are assembling parts, making adjustments, cleaning, or when not in use. Removing battery pack will prevent accidental starting that could cause serious personal injury.

WARNING:

Always wear eye protection with side shields marked to comply with ANSI Z87.1. Failure to do so could result in objects being thrown into your eyes and other possible serious injuries.

WARNING:

Do not use any attachments or accessories not recommended by the manufacturer of this product. The use of attachments or accessories not recommended can result in serious personal injury.

APPLICATIONS

You may use this product for the purpose listed below:

- Straight line cutting operations on metal pipe, rebar, conduit, posts, plastics, wood, etc., up to 2.5 in.

SELECTING BLADES

Selecting the correct type of blade is important in order to obtain the best performance from the saw. Select the blade based on the application and on the material you wish to cut. Selecting the right blade will give you a smoother, faster cut and prolong the life of the blade. We recommend 14 TPI for plastics and wood, 18 TPI for soft metals and multipurpose use, and 24 TPI for hard metals.

WARNING:

Battery tools are always in operating condition. Remove the battery pack when not in use or carrying at your side.

INSTALLING/REMOVING BLADE

See *Figure 1, page 9*.

NOTE: Use blades that are .020 in. thick and 32-7/8 in. long only.

■ **To install the blade:**

- Lock the switch trigger and remove the battery pack.

- Rotate the blade tension release lever 180° counterclockwise to release blade tension.
- Flip the saw over and place on a flat, level surface.
- Insert the saw blade through the slot in the work stop and in between the guide rollers, making sure the blade teeth point away from the saw.
- Work the rest of the saw blade down around the sides and back of the pulleys. Turn the pulleys by hand, if necessary, to aid in moving the blade.
NOTE: When correctly installed, the blade teeth should be flush with the top of the tires around the pulleys. Fine adjustments can be made using the tracking screws, if necessary. Refer to **Adjusting Blade Tracking** later in this manual.
- Rotate the blade tension release lever 180° clockwise to lock the blade in place.
- **To remove the blade:** rotate the blade tension release lever 180° counterclockwise, then work the blade loose starting from the back.

INSTALLING/REMOVING BATTERY PACK

See *Figure 2, page 9*.

- Lock the switch trigger.
- Insert the battery pack into the product as shown.
- Make sure the latches on each side of the battery pack snap into place and the battery pack is secured in the product before beginning operation.
- Depress the latches to remove the battery pack.

For complete charging instructions, see the operator's manuals for your battery pack and charger.

ADJUSTING BLADE TRACKING

See *Figure 3, page 10*.

The blade is properly adjusted when the teeth on the blade are flush with the top of the tires around the pulleys.

To adjust blade tracking:

- Find the two blade tracking screws located above and below the blade tension release lever.
- Using the hex key provided or any 2.5 mm hex key, turn each of the two tracking screws 1/4 turn. Turn clockwise to move the blade in toward the saw housing or counterclockwise to move the blade out.
NOTE: Hex key storage is located at the front of the saw beneath the battery port.
- Flip the saw over to view the results of the adjustment. Continue making 1/4 turn adjustments to **BOTH** screws until the blade appears to be in the correct position.
- Monitor blade position over the next several uses of the saw and continue to adjust if needed.

OPERATION

ADJUSTING WORK STOP

See Figure 4, page 10.

The work stop of the saw has two available positions for installation and can be adjusted, if needed, based on the size of your workpiece.

- Lock the switch trigger and remove the battery pack.
- Remove the two screws on the work stop using the hex key provided or any 2.5 mm hex key.
- Move the work stop to the other available position.
- Reinstall both screws and tighten securely.

TURNING SAW ON/OFF

See Figure 5, page 10.

The lock-off button, located on the rear handle above the switch trigger, reduces the possibility of accidental starting.

- **To turn the saw on:** Slide the lock-off button to the unlocked position, then press the switch trigger.
- **To turn the saw off:** Release the switch trigger and return the lock-off button to the locked position.

CAUTION:

The lock-off button should always be in the locked position when the saw is not in use or is being transported.

CUTTING TIPS

- Make sure the saw blade teeth are clean of any debris or foreign material.
- Mark the line of cut clearly.
- Do not use liquid coolants when cutting metal.
- If excessive vibration occurs during cutting, verify the workpiece is clamped securely. If vibration continues, the saw blade may need to be replaced.

CUTTING

See Figures 6 - 7, page 11.

WARNING:

Hold the saw with both hands. Make sure the workpiece is secure with clamps, vise, or similar methods to prevent workpiece from moving, since this could cause loss of control resulting in serious injury.

WARNING:

Make sure the blade does not touch the work until the motor reaches full speed, since this could cause loss of control resulting in serious injury.

- Secure the workpiece to a work bench or table with a vise or with clamps.

NOTE: Remember to consider the size and weight of the piece that will be cut off and provide support as needed to prevent any possible injury from the falling piece.

- Hold the saw firmly with both hands, in front of and clearly away from you.
- Set the work stop against the workpiece but do not allow the blade to touch the workpiece.
- Slide the lock-off button to the unlocked position and depress the switch trigger.

NOTE: The worklight will illuminate whenever the switch trigger is depressed and will turn off automatically after the trigger is released.

- Once the saw blade reaches full cutting speed, slowly move the blade into the workpiece. Keep the maximum number of teeth possible in contact with the piece being cut and keep the blade straight during cutting without twisting.

NOTE: Do not force. Use only enough pressure to keep the saw cutting and the work stop against the workpiece. Allow the blade and the weight of the tool to do the work.

- As you reach the end of the cut, hold the saw firmly so it does not fall against the workpiece.
- When finished with the saw, lock the switch trigger, remove the battery pack, and use the provided storage hook to hang the saw for storage. Make sure to hang from a suitable stable structure to prevent possible tool damage or injury from a falling tool.

NOTE: MAINTENANCE INFORMATION BEGINS ON PAGE 8 AFTER FRENCH AND SPANISH LANGUAGE SECTIONS. ILLUSTRATIONS START ON PAGE 9.

AVERTISSEMENTS DE SÉCURITÉ GÉNÉRALES RELATIVES AUX OUTILS ÉLECTRIQUES



AVERTISSEMENT

Lire les avertissements de sécurité, les instructions et les précisions et consulter les illustrations fournis avec cet outil électrique. Le fait de ne pas se conformer à l'ensemble des consignes présentées ci-dessous risque d'entraîner des décharges électriques, un incendie et/ou des blessures graves.

Conserver les avertissements et les instructions à des fins de référence ultérieure. Le terme « outil motorisé », utilisé dans tous les avertissements ci-dessous désigne tout outil fonctionnant sur secteur (câblé) ou sur piles (sans fil).

SÉCURITÉ DU LIEU DE TRAVAIL

- **Garder le lieu de travail propre et bien éclairé.** Les endroits encombrés ou sombres sont propices aux accidents.
- **Ne pas utiliser d'outils électriques dans des atmosphères explosives, par exemple en présence de liquides, gaz ou poussières inflammables.** Les outils électriques produisent des étincelles risquant d'enflammer les poussières ou vapeurs.
- **Garder les enfants et badauds à l'écart pendant l'utilisation d'un outil électrique.** Les distractions peuvent causer une perte de contrôle.

SÉCURITÉ ÉLECTRIQUE

- **Les fiches des outils électriques doivent correspondre à la prise secteur utilisée. Ne jamais modifier la fiche, de quelque façon que ce soit. Ne jamais utiliser d'adaptateurs de fiche avec des outils mis à la terre.** Les fiches et prises non modifiées réduisent le risque de choc électrique.
- **Éviter tout contact du corps avec des surfaces mises à la terre, telles que tuyaux, radiateurs, cuisinières et réfrigérateurs.** Le risque de choc électrique est accru lorsque le corps est mis à la terre.
- **Ne pas exposer les outils électriques à l'eau ou l'humidité.** La pénétration d'eau dans ces outils accroît le risque de choc électrique.
- **Ne pas maltraiter le cordon d'alimentation. Ne jamais utiliser le cordon d'alimentation pour transporter l'outil et ne jamais débrancher ce dernier en tirant sur le cordon. Garder le cordon à l'écart de la chaleur, de l'huile, des objets tranchants et des pièces en mouvement.** Un cordon endommagé ou emmêlé accroît le risque de choc électrique.
- **Pour les travaux à l'extérieur, utiliser un cordon spécialement conçu à cet effet.** Utiliser un cordon conçu pour l'usage extérieur pour réduire les risques de choc électrique.

- **S'il est nécessaire d'utiliser l'outil électrique dans un endroit humide, employer un dispositif interrupteur de défaut à la terre (GFCI).** L'utilisation d'un GFCI réduit le risque de décharge électrique.
- **Utiliser ce produit seulement avec les piles et les chargeurs indiqués dans le supplément de raccordement pour chargeur/outils/piles/appareil n° 987000-432.**

SÉCURITÉ PERSONNELLE

- **Rester attentif, prêter attention au travail et faire preuve de bon sens lors de l'utilisation de tout outil électrique. Ne pas utiliser cet outil en état de fatigue ou sous l'influence de l'alcool, de drogues ou de médicaments.** Un moment d'inattention pendant l'utilisation d'un outil électrique peut entraîner des blessures graves.
- **Utiliser l'équipement de sécurité. Toujours porter une protection oculaire.** L'équipement de sécurité, tel qu'un masque filtrant, de chaussures de sécurité, d'un casque ou d'une protection auditive, utilisé dans des conditions appropriées réduira le risque de blessures.
- **Éviter les démarrages accidentels. S'assurer que le commutateur est en position d'arrêt avant de brancher l'outil.** Porter un outil avec le doigt sur son commutateur ou brancher un outil dont le commutateur est en position de marche peut causer un accident.
- **Retirer les clés de réglage avant de mettre l'outil en marche.** Une clé laissée sur une pièce rotative de l'outil peut causer des blessures.
- **Ne pas travailler hors de portée. Toujours se tenir bien campé et en équilibre.** Ceci permettra de mieux contrôler l'outil en cas de situation imprévue.
- **Porter une tenue appropriée. Ne porter ni vêtements amples, ni bijoux. Garder les cheveux, les vêtements et les gants à l'écart des pièces en mouvement.** Les vêtements amples, bijoux et cheveux longs peuvent se prendre dans les pièces en mouvement.
- **Si les outils sont équipés de dispositifs de dépoussiérage, s'assurer qu'ils sont connectés et correctement utilisés.** L'usage de ces dispositifs de dépoussiérage peut réduire les dangers présentés par la poussière.
- **Malgré votre expérience acquise par l'utilisation fréquente des outils, soyez toujours vigilant et respectez les principes de sécurité relatifs aux outils.** Il s'agit d'une fraction de seconde pour qu'un geste irréfléchi puisse causer de graves blessures.
- **Ne porter ni vêtements amples, ni bijoux. Attacher ou couvrir les cheveux longs.** Les vêtements amples, bijoux et cheveux longs peuvent se prendre dans les ouïes d'aération.

AVERTISSEMENTS DE SÉCURITÉ GÉNÉRALES RELATIVES AUX OUTILS ÉLECTRIQUES

- **Ne pas utiliser l'outil sur une échelle ou un support instable.** Une bonne tenue et un bon équilibre permettent de mieux contrôler l'outil en cas de situation imprévue.

UTILISATION ET ENTRETIEN DES OUTILS ÉLECTRIQUES

- **Ne pas forcer l'outil. Utiliser l'outil approprié pour l'application.** Un outil approprié exécutera le travail mieux et de façon moins dangereuse s'il est utilisé dans les limites prévues.
- **Ne pas utiliser l'outil si le commutateur ne permet pas de le mettre en marche ou de l'arrêter.** Tout outil qui ne peut pas être contrôlé par son commutateur est dangereux et doit être réparé.
- **Débrancher l'outil et/ou retirer le bloc-piles avant d'effectuer des réglages, de changer d'accessoire ou de remiser l'outil.** Ces mesures de sécurité préventives réduisent les risques de démarrage accidentel de l'outil.
- **Ranger les outils motorisés hors de la portée des enfants et ne laisser personne n'étant pas familiarisé avec l'outil ou ces instructions utiliser l'outil.** Dans les mains de personnes n'ayant pas reçu des instructions adéquates, les outils sont dangereux.
- **Entretenir les outils motorisés. Vérifier qu'aucune pièce mobile n'est mal alignée ou bloquée, qu'aucune pièce n'est brisée et s'assurer qu'aucun autre problème ne risque d'affecter le bon fonctionnement de l'outil. En cas de dommages faire réparer l'outil avant de l'utiliser de nouveau.** Beaucoup d'accidents sont causés par des outils mal entretenus.
- **Garder les outils bien affûtés et propres.** Des outils correctement entretenus et dont les tranchants sont bien affûtés risquent moins de se bloquer et sont plus faciles à contrôler.
- **Utiliser l'outil, les accessoires et embouts, etc. conformément à ces instructions pour les applications pour lesquelles ils sont conçus, en tenant compte des conditions et du type de travail à exécuter.** L'usage d'un outil motorisé pour des applications pour lesquelles il n'est pas conçu peut être dangereux.
- **Gardez les poignées et les surfaces de prise sèches, propres et exemptes d'huile et de graisse.** Des poignées et des surfaces de prise glissantes empêchent la manipulation et le contrôle sécuritaires de l'outil dans des circonstances imprévues.

UTILISATION ET ENTRETIEN DE LA PILE

- **Ne recharger qu'avec l'appareil spécifié par le fabricant.** Un chargeur approprié pour un type de pile peut créer un risque d'incendie s'il est utilisé avec un autre type de pile.
- **Utiliser exclusivement le bloc-pile spécifiquement indiqué pour l'outil.** L'usage de tout autre bloc peut créer un risque de blessures et d'incendie.
- **Lorsque le bloc-piles n'est pas en usage, le garder à l'écart d'articles tels qu'attaches trombones, pièces de monnaie, clous, vis ou autres petits objets métalliques risquant d'établir le contact entre les deux bornes.** La mise en court-circuit des bornes de piles peut causer des étincelles, des brûlures ou un incendie.
- **En cas d'usage abusif, du liquide peut s'échapper des piles. Éviter tout contact avec ce liquide. En cas de contact accidentel, rincer immédiatement les parties atteintes avec de l'eau. En cas d'éclaboussure dans les yeux consulter un médecin.** Le liquide s'échappant des piles peut causer des irritations ou des brûlures.
- **Ne pas utiliser un bloc-piles ou un outil endommagé ou modifié.** Les piles endommagées ou modifiées peuvent produire un comportement imprévisible pouvant provoquer un incendie, une explosion ou des blessures.
- **Ne pas exposer le bloc-piles ou l'outil près d'un incendie ou à une température extrême.** L'exposition à un incendie ou à une température supérieure à 130 °C (265 °F) représente un risque d'explosion.
- **Suivre toutes les instructions afférentes à la recharge et ne pas recharger le bloc-piles ou l'outil hors des températures spécifiées dans les instructions.** Une recharge incorrecte ou hors des températures spécifiées peut endommager la pile et augmenter les risques de feu.

DÉPANNAGE




- **Les réparations doivent être confiées à un technicien qualifié, utilisant exclusivement des pièces identiques à celles d'origine.** Ceci assurera le maintien de la sécurité de l'outil.
- **Ne réparez jamais de blocs-piles endommagés.** Seuls le fabricant et les fournisseurs de service autorisés doivent effectuer la réparation ou l'entretien des blocs-piles.

AVERTISSEMENTS DE SÉCURITÉ RELATIFS LA SCIE À RUBAN PORTABLE






- **Lorsque l'outil est utilisé pour un travail risquant de le mettre en contact avec des fils électriques cachés, le tenir par les surfaces de prise isolées.** Le contact des accessoires de coupe avec un fil sous tension « électrifié » les pièces métalliques exposées de l'outil et peut électrocuter l'utilisateur.
- **DANGER : Garder les mains à l'écart de la zone de coupe et de la lame. Garder l'autre main sur la poignée.** Lorsque les deux mains sont utilisées pour tenir la scie, elles ne risquent pas d'être blessées par la lame.
- **Dans la mesure du possible, utiliser des serre-joint pour maintenir la pièce sur une surface stable.** Une pièce tenue à la main ou contre son corps le rend instable et peut causer une perte de contrôle.
- **Apprendre à connaître l'outil. Lire attentivement le manuel d'utilisation. Apprendre les applications et les limites de l'outil, ainsi que les risques spécifiques relatifs à son utilisation.** Le respect de cette consigne réduira les risques d'incendie, de choc électrique et de blessures graves.
- **Toujours porter une protection oculaire munie d'écrans latéraux certifiée conforme à la norme ANSI Z87.1 lors du montage des pièces, du fonctionnement de l'outil ou au moment de l'entretien.** Le respect de cette règle réduira les risques de blessures graves.
- **Protection respiratoire. Porter un masque facial ou un masque antipoussière si le travail produit de la poussière.** Le respect de cette consigne réduira les risques de blessures graves.
- **Protection auditive. Porter une protection auditive lors de l'utilisation prolongée.** Le respect de cette règle réduira les risques de blessures graves.
- **Les outils fonctionnant sur piles n'ayant pas besoin d'être branchés sur une prise secteur, ils sont toujours en état de fonctionnement. Tenir compte des dangers possibles lorsque l'outil n'est pas en usage et lors du remplacement des piles.** Le respect de cette consigne réduira les risques d'incendie, de choc électrique et de blessures graves.
- **Ne pas placer les outils électriques sans fil ou leurs piles à proximité de flammes ou d'une source de chaleur.** Ceci réduira les risques d'explosion et de blessures.
- **Ne pas écraser, faire tomber ou endommager le bloc-piles. Ne jamais utiliser un bloc-piles ou un chargeur qui est tombé, a été écrasé, a reçu un choc violent ou a été endommagé de quelque façon que ce soit.** Une pile endommagée risque d'exploser. Éliminer immédiatement toute pile endommagée, selon une méthode appropriée.
- **Les piles peuvent exploser en présence d'une source d'allumage, telle qu'une veilleuse.** Pour réduire les risques de blessures graves, ne jamais utiliser un appareil sans fil, quel qu'il soit, en présence d'une flamme vive. En explosant, une pile peut projeter des débris et des produits chimiques. En cas d'exposition, rincer immédiatement les parties atteintes avec de l'eau.
- **Ne pas recharger un outil fonctionnant sur piles dans un endroit humide ou mouillé. Ne pas utiliser, remiser ou charger le bloc-piles ou produits dans des emplacements où la température est inférieure 10 °C (50 °F) à ou supérieure à 38 °C (100 °F).** Ne pas ranger l'outil à l'extérieur ou dans un véhicule.
- **Si l'outil est utilisé de façon intensive ou sous des températures extrêmes, des fuites de pile peuvent se produire. En cas de contact du liquide avec la peau, rincer immédiatement la partie atteinte avec de l'eau. En cas d'éclaboussure dans les yeux, les rincer à l'eau fraîche pendant au moins 10 minutes, puis contacter immédiatement un médecin.** Le respect de cette règle réduira les risques de blessures graves.
- **Conserver ces instructions.** Les consulter fréquemment et les utiliser pour instruire les autres utilisateurs éventuels. Si cet outil est prêt, il doit être accompagné de ces instructions.

SYMBOLES

Les termes de mise en garde suivants et leur signification ont pour but d'expliquer le degré de risques associé à l'utilisation de ce produit.

SYMBOLE	SIGNAL	SIGNIFICATION
	DANGER :	Indique une situation dangereuse qui, si elle n'est pas évitée, aura pour conséquences des blessures graves ou mortelles.
	AVERTISSEMENT :	Indique une situation dangereuse qui, si elle n'est pas évitée, pourrait entraîner des blessures graves ou mortelles.
	ATTENTION :	Indique une situation dangereuse qui, si elle n'est pas évitée, pourrait entraîner des blessures légères ou de gravité modérée.
	AVIS :	(Sans symbole d'alerte de sécurité) Indique les informations jugées importantes sans toutefois représenter un risque de blessure (ex. : messages concernant les dommages matériels).

Certains des symboles ci-dessous peuvent être utilisés sur produit. Veiller à les étudier et à apprendre leur signification. Une interprétation correcte de ces symboles permettra d'utiliser produit plus efficacement et de réduire les risques.

SYMBOLE	NOM	DÉSIGNATION / EXPLICATION
	Symbole d'alerte de sécurité	Indique un risque de blessure potentiel.
	Lire le manuel d'utilisation	Pour réduire les risques de blessures, l'utilisateur doit lire et veiller à bien comprendre le manuel d'utilisation avant d'utiliser ce produit.
	Protection oculaire	Toujours porter une protection oculaire munie d'écrans latéraux certifiée conforme à la norme ANSI Z87.1, lors de l'utilisation de cet outil.
	Avertissement concernant l'humidité	Ne pas exposer à la pluie ou l'humidité.
	Symbole de recyclage	Ce produit utilise les piles de lithium-ion (Li-ion). Les réglementations locales ou gouvernementales peuvent interdire de jeter les piles dans les ordures ménagères. Consulter les autorités locales compétentes pour les options de recyclage et/ou l'élimination.
V	Volts	Tension
min	Minutes	Temps
—	Courant continu	Type ou caractéristique du courant
n ₀	Vitesse à vide	Vitesse de rotation à vide
.../min	Par minute	Tours, coups, vitesse périphérique, orbites, etc., par minute

CARACTÉRISTIQUES

FICHE TECHNIQUE

Capacité de coupe.....63,5 mm (2,5 po)	Épaisseur de la lame.....0,51 mm (0,020 po)
Type de lame..... bimétallique, 18 dents par pouce (DPP)	Longueur de la lame.....835 mm (32,875 po)
Largeur de la lame.....12,7 mm (0,5 po)	Vitesse de la lame.....170,69 m/min (pieds de surface par minute) (560 pi de surface/min)

ASSEMBLAGE

AVERTISSEMENT :

Ne pas utiliser le produit s'il n'est pas complètement assemblé ou si des pièces semblent manquantes ou endommagées. L'utilisation d'un produit dont l'assemblage est incorrect ou incomplet ou comportant des pièces endommagées ou absentes représente un risque de blessures graves.

AVERTISSEMENT :

Ne pas essayer de modifier cet outil ou de créer des pièces et accessoires non recommandés. De telles altérations ou modifications sont considérées comme un usage abusif et peuvent créer des conditions dangereuses, risquant d'entraîner des blessures graves.

Si des pièces manquent ou sont endommagées, veuillez appeler au 1-800-525-2579 pour obtenir de l'aide.

UTILISATION

AVERTISSEMENT :

Ne pas laisser la familiarité avec l'outil faire oublier la prudence. Ne pas oublier qu'une fraction de seconde d'inattention peut entraîner des blessures graves.

AVERTISSEMENT :

Les outils à piles sont toujours en état de fonctionnement. Retirer le bloc-piles lorsqu'il n'est pas en fonction ou que vous portez l'outil avec vous.

AVERTISSEMENT :

Toujours retirer le bloc-piles de l'outil au moment d'assembler des pièces, d'effectuer des réglages et de procéder au nettoyage, ou lorsque l'outil n'est pas utilisé. Si cette précaution n'est pas prise, des objets peuvent être projetés dans les yeux et causer des lésions graves.

INSTALLATION / RETRAIT DE LA LAME

Voir la figure 1, page 9.

NOTE : Utiliser uniquement des lames d'une épaisseur de 0,51 mm (0,020 po) et d'une longueur de 835,03 mm (32-7/8 po).

Pour installer de la lame :

- Verrouiller l'interrupteur à gâchette et retirer le bloc-pile.
 - Tourner le levier de soulagement de tension de la lame à 180° dans le sens antihoraire, afin de relâcher la tension de la lame.
 - Retourner la scie et la poser sur une surface plate.
 - Insérer la lame de scie dans la fente de la butée et entre les galets de guidage, en s'assurant d'orienter les dents de scie loin de la scie.
 - Placer le reste de la lame de la scie autour des côtés et de l'arrière des poulies. Au besoin, tourner les poulies à la main au besoin pour aider à bouger la lame.
- NOTE :** Lorsque l'installation est correcte, les dents de scie doivent affleurer le dessus des pneus autour des poulies. Au besoin, ajuster plus précisément à l'aide des vis du sillage. Consulter la section **Réglage du sillage de lame** ci-après dans ce manuel.
 - Tourner le levier de soulagement de tension de la lame à 180° dans le sens horaire, afin de verrouiller la lame en place.
 - **Pour retirer la lame :** tourner le levier de soulagement de tension de la lame à 180° dans le sens antihoraire, puis relâcher la lame en commençant par l'arrière.

AVERTISSEMENT :

Toujours porter une protection oculaire avec écrans latéraux certifiée conforme à la norme ANSI Z87.1. Si une opération dégage de la poussière, porter également un masque anti-poussière.

INSTALLATION / RETRAIT DU BLOC-PILES

Voir la figure 2, page 9.

- Verrouiller l'interrupteur à gâchette.
 - Insérer la pile dans l'outil comme illustré.
 - S'assurer que les loquets de chaque côté de la pile s'enclenchent en place et que la pile est bien fixée à l'outil avant de mettre l'outil en marche.
 - Relâcher les loquets pour retirer le bloc-piles.
- Pour prendre connaissance des consignes de chargement, consulter le manuel d'utilisation des piles et des chargeurs.

APPLICATIONS

Cet outil ne doit être utilisé que pour les applications listées ci-dessous :

- Les opérations de coupe en ligne droite sur les tuyaux métalliques, les barres d'armatures, les conduits, les montants, le plastique, le bois, etc. mesurant jusqu'à 63,5 mm (2,5 po)

CHOIX DE LA LAME

Le choix d'une lame de type correct est essentiel pour obtenir les meilleurs résultats possibles avec la scie. La lame doit être choisie en fonction de l'application et du matériau à couper. Le choix d'une lame appropriée la coupe assure une coupe plus nette, plus rapide et prolonge la vie utile de la lame. Nous recommandons 14 DPP pour le plastique et le bois, 18 DPP pour les métaux souples et un usage polyvalent, et 24 DPP pour les métaux durs.

UTILISATION

RÉGLAGE DU SILLAGE DE LAME

Voir la figure 3, page 10.

La lame est correctement ajustée quand ses dents affleurent le dessus des pneus autour des poulies.

Pour ajuster le sillage de la lame :

- Repérer les deux vis du sillage de lame qui se trouvent au-dessus et au-dessous du levier de soulagement de tension de la lame.
 - À l'aide de la clé hexagonale fournie ou de toute clé hexagonale de 2,5 mm, tourner chaque vis du sillage à un quart de tour. Tourner dans le sens horaire pour déplacer la lame vers l'intérieur en direction du logement de la scie ou dans le sens antihoraire pour la déplacer vers l'extérieur.
- NOTE :** L'espace de rangement pour la clé hexagonale se trouve à l'avant de la scie, sous le logement de pile.
- Retourner la scie pour voir les résultats du réglage. Continuer à effectuer des réglages d'un quart de tour aux **DEUX** vis, jusqu'à ce que la lame semble être en bonne position.
 - Surveiller la position de la lame pendant les prochaines utilisations de la scie et continuer à ajuster au besoin.

RÉGLAGE DE LA BUTÉE

Voir la figure 4, page 10.

La butée de la scie a deux positions disponibles pour l'installation et peut être réglée au besoin en fonction de la dimension de votre pièce à travailler.

- Verrouiller l'interrupteur à gâchette et retirer le bloc-pile.
- Enlever les deux vis de la butée à l'aide de la clé hexagonale fournie ou de toute clé hexagonale de 2,5 mm.
- Déplacer la butée dans l'autre position disponible.
- Remettre les deux vis et visser fermement.

MISE EN MARCHÉ / ARRÊT DE LA SCIE

Voir la figure 5, page 10.

Cette scie est équipée d'un bouton de verrouillage se trouve sur la poignée arrière, au-dessus de la gâchette pour réduire le risque de démarrage accidentel.

- **Pour mettre la scie en marche :** Glisser le bouton de verrouillage vers la position déverrouillage et appuyer sur la gâchette.
- **Pour arrêter la scie :** Relâcher l'interrupteur à gâchette et remettre le bouton de verrouillage en position de verrouillage.



ATTENTION :

Le bouton de verrouillage doit être en position verrouillée lorsque la scie n'est pas utilisée ou est transportée.

CONSEILS POUR LA COUPE

- S'assurer que la lame se trouve à l'écart de tout objet étranger.
- Marquer clairement la ligne de coupe.

- Ne pas utiliser d'agent de refroidissement liquide lors de la coupe de métaux.
- Si des vibrations excessives se produisent pendant la coupe, vérifier que la pièce à travailler est bien sécurisée en place. Si les vibrations continuent, il faut peut-être remplacer la lame de scie.

SCIAGE

Voir les figures 6 et 7, page 11.



AVERTISSEMENT :

Tenir la scie à deux mains. Veiller à ce que la pièce à travailler soit sécurisée avec des serre-joints, un étai ou toute autre méthode similaire pour éviter que la pièce bouge, puisque cela pourrait causer une perte de contrôle et entraîner des blessures graves.



AVERTISSEMENT :

S'assurer que la lame ne touche pas la pièce à travailler avant que le moteur ne soit parvenu à pleine vitesse, puisque cela pourrait causer une perte de contrôle et entraîner des blessures graves.

- Assujettir la pièce à couper sur un établi ou une table, au moyen d'un étai ou de serre-joint.

NOTE : Ne pas oublier de tenir compte de la taille et du poids de la pièce à couper, ainsi que de fournir du support au besoin pour empêcher toute blessure provoquée la chute de la pièce à travailler.

- Tenir la scie fermement à deux mains, bien à l'écart du corps.
- Placer la butée contre la pièce à travailler, en veillant à ce que la lame ne touche pas la pièce à travailler.
- Glisser le bouton de verrouillage pour débloquer la position et appuyer sur la gâchette de vitesse variable.

NOTE : La lampe de travail s'allumera dès que la gâchette de commutateur est enfoncée, puis s'arrêtera automatiquement après avoir relâché la gâchette.

- Dès que la lame de scie atteint la vitesse de coupe maximale, bouger la lame lentement dans la pièce à travailler. Le plus possible de dents possible doivent toucher la pièce à couper et garder la lame droite pendant la coupe sans torsion.

NOTE : Ne pas forcer. Exercer suffisamment de pression pour que la scie continue à couper et que la butée repose contre la pièce à travailler. Laisser la lame et le poids de l'outil faire le travail.

- Au moment d'atteindre la fin de la coupe, tenir fermement la scie pour qu'elle ne tombe pas contre la pièce à travailler.
- Après avoir fini avec la scie, verrouiller l'interrupteur à gâchette, enlever le bloc-pile et utiliser le crochet de rangement fourni pour accrocher la scie et la ranger. S'assurer de l'accrocher à une structure stable et convenable, afin d'éviter d'endommager l'outil ou d'empêcher toute blessure due à la chute de l'outil.

NOTE : L'INFORMATION AU SUJET DE L'ENTRETIEN COMMENCE À LA PAGE 8, APRÈS LE SECTION EN ESPAGNOL. ILLUSTRATIONS COMMENÇANT À LA PAGE 9.

ADVERTENCIAS DE SEGURIDAD PARA HERRAMIENTAS ELÉCTRICA

ADVERTENCIA

Lea todas las advertencias, instrucciones, ilustraciones y especificaciones proporcionadas con esta herramienta eléctrica. No seguir las instrucciones indicadas a continuación puede provocar descargas eléctricas, incendios o lesiones graves.

Guarde todas las advertencias e instrucciones para consultarlas en el futuro. El término “herramienta eléctrica” en las advertencias se refiere a las herramientas eléctricas que funcionan con corriente (con cordón) o las que funcionan con batería (inalámbricas).

ÁREA DE TRABAJO

- **Mantenga limpia y bien iluminada el área de trabajo.** Un área de trabajo mal despejada o mal iluminada propicia accidentes.
- **No utilice herramientas motorizadas en atmósferas explosivas, como las existentes alrededor de líquidos, gases y polvos inflamables.** Las herramientas eléctricas generan chispas que pueden encender el polvo y los vapores inflamables.
- **Mantenga alejados a los niños y circunstanciales al maniobrar una herramienta eléctrica.** Toda distracción puede causar la pérdida del control de la herramienta.

SEGURIDAD ELÉCTRICA

- **Las clavijas de las herramientas eléctricas deben corresponder a las tomas de corriente donde se conectan. Nunca modifique la clavija de ninguna forma. No utilice ninguna clavija adaptadora con herramientas eléctricas dotadas de contacto a tierra.** Conectando las clavijas originales en las tomas de corriente donde corresponden se disminuye el riesgo de una descarga eléctrica.
- **Evite el contacto del cuerpo con las superficies de objetos conectados a tierra, como las tuberías, radiadores, estufas y refrigeradores.** Existe un mayor riesgo de descargas eléctricas si el cuerpo está haciendo tierra.
- **No exponga las herramientas eléctricas a la lluvia ni a condiciones de humedad.** La introducción de agua en una herramienta eléctrica aumenta el riesgo de descargas eléctricas.
- **No maltrate el cordón eléctrico. Nunca utilice el cordón para trasladar, desconectar o tirar de la herramienta eléctrica. Mantenga el cordón lejos del calor, aceite, bordes afilados y piezas móviles.** Los cordones eléctricos dañados o enredados aumentan el riesgo de descargas eléctricas.

- **Al utilizar una herramienta eléctrica a la intemperie, use un cordón de extensión apropiado para el exterior.** Usando un cordón adecuado para el exterior se disminuye el riesgo de descargas eléctricas.
- **Si debe operar una herramienta en lugares húmedos, use un suministro protegido por un interruptor de circuito con pérdida a tierra (GFCI).** El uso de un GFCI reduce el riesgo de descargas eléctricas.
- **Usar este producto únicamente con las baterías y el cargador indicados en el folleto de la herramienta/aparato/paquete de baterías/cargador complementario 987000-432.**

SEGURIDAD PERSONAL

- **Permanezca alerta, preste atención a lo que esté haciendo y aplique el sentido común al utilizar herramientas eléctricas. No utilice la herramienta eléctrica si está cansado o se encuentra bajo los efectos de alguna droga, alcohol o medicamento.** Un momento de inatención al utilizar una herramienta eléctrica puede causar lesiones corporales serias.
- **Utilice protección el equipo otros. Siempre póngase protección ocular.** El uso de equipo protector como mascarilla para el polvo, calzado de seguridad, casco y protección para los oídos en las circunstancias donde corresponda disminuye el riesgo de lesiones.
- **Evite que la herramienta se active accidentalmente. Asegúrese de que el interruptor esté en la posición de apagado antes de conectar la herramienta a un suministro de corriente o de colocar un paquete de baterías.** Transportar herramientas eléctricas con el dedo en el interruptor o enchufar herramientas eléctricas que tienen el interruptor encendido puede ocasionar accidentes.
- **Retire toda llave o herramienta de ajuste antes de encender la herramienta eléctrica.** Toda llave o herramienta de ajuste dejada en una pieza giratoria de la herramienta eléctrica puede causar lesiones.
- **No estire el cuerpo para alcanzar mayor distancia. Mantenga una postura firme y buen equilibrio en todo momento.** De esta manera se logra un mejor control de la herramienta eléctrica en situaciones inesperadas.
- **Vístase adecuadamente. No vista ropas holgadas ni joyas. Mantenga el cabello, la ropa y los guantes alejados de las piezas móviles.** Las ropas holgadas y las joyas, así como el cabello largo, pueden engancharse en las piezas móviles.
- **Si se suministran dispositivos para conectar mangueras de extracción y captación de polvo, asegúrese de que éstas estén bien conectadas y se usen correctamente.** El uso de la captación de polvo puede reducir los peligros relacionados con éste.

ADVERTENCIAS DE SEGURIDAD PARA HERRAMIENTAS ELÉCTRICA

- **No permita que la familiaridad obtenida por el uso frecuente de las herramientas lo vuelva complaciente e ignore los principios de seguridad de las herramientas.** Una acción descuidada puede causar lesiones graves en una fracción de segundo.
- **No vista ropas holgadas ni joyas. Recójase el cabello si está largo.** Las ropas holgadas y las joyas, así como el cabello largo, pueden resultar atraídas hacia el interior de las aberturas de ventilación.
- **No utilice la unidad al estar en una escalera o en un soporte inestable.** Una postura estable sobre una superficie sólida permite un mejor control de la herramienta eléctrica en situaciones inesperadas.
- **Use la herramienta eléctrica, los accesorios, las brocas, etc. según estas instrucciones, teniendo en cuenta las condiciones de trabajo y la tarea que se va a realizar.** Si se utiliza la herramienta eléctrica para operaciones diferentes de las indicadas podría originar una situación peligrosa.
- **Mantenga los mangos y superficies de agarre limpias y libres de aceite y grasa.** Los mangos y superficies de agarre resbalosas no permiten la manipulación y control seguro de la herramienta en situaciones inesperadas.

EMPLEO Y CUIDADO DE LA HERRAMIENTA DE BATERÍAS

EMPLEO Y CUIDADO DE LA HERRAMIENTA ELÉCTRICA

- **No fuerce la herramienta eléctrica. Utilice la herramienta eléctrica adecuada para cada trabajo.** La herramienta eléctrica adecuada efectúa mejor y de manera más segura el trabajo, si además se maneja a la velocidad para la que está diseñada.
- **No utilice la herramienta si el interruptor no enciende o no apaga.** Cualquier herramienta eléctrica que no pueda controlarse con el interruptor es peligrosa y debe repararse.
- **Desconecte el enchufe de la fuente de alimentación o retire el paquete de baterías, si es desmontable, de la herramienta eléctrica antes de realizar ajustes, cambiar accesorios o almacenar herramientas eléctricas.** Tales medidas preventivas de seguridad reducen el riesgo de poner en marcha accidentalmente la herramienta.
- **Guarde las herramientas eléctricas desocupadas fuera del alcance de los niños y no permita que las utilicen personas no familiarizadas con las mismas o con estas instrucciones.** Las herramientas eléctricas son peligrosas en manos de personas no capacitadas en el uso de las mismas.
- **Mantenimiento de las herramientas eléctricas y accesorios.** Revise para ver si hay desalineación o atoramiento de piezas móviles, ruptura de piezas o toda otra condición que pueda afectar el funcionamiento de la herramienta eléctrica. Si está dañada la herramienta eléctrica, permita que la reparen antes de usarla. Numerosos accidentes son causados por herramientas eléctricas mal cuidadas.
- **Mantenga las herramientas de corte afiladas y limpias.** Las herramientas de corte bien cuidadas y con bordes bien afilados, tienen menos probabilidad de atascarse en la pieza de trabajo y son más fáciles de controlar.
- **Sólo cargue el paquete de baterías con el cargador especificado por el fabricante.** Un cargador adecuado para un tipo paquete de baterías puede significar un riesgo de incendio si se emplea con un paquete de baterías diferente.
- **Utilice las herramientas eléctricas sólo con los paquetes de baterías específicamente indicados.** El empleo de paquetes de baterías diferentes puede presentar un riesgo de incendio.
- **Cuando no esté utilizándose el paquete de baterías, manténgalo lejos de otros objetos metálicos, como clips, monedas, llaves, clavos, tornillos o otros objetos metálicos, pequeños que puedan establecer conexión entre ambas terminales.** Establecer una conexión directa entre las dos terminales de las baterías puede causar quemaduras o incendios.
- **Si se maltratan las baterías, puede derramarse líquido de las mismas; evite todo contacto con éste. En caso de contacto, lávese con agua. Si el líquido llega a tocar los ojos, además busque atención médica.** El líquido de las baterías puede causar irritación y quemaduras.
- **No utilice un paquete de baterías o una herramienta que esté dañado o modificado.** Las baterías dañadas o modificadas pueden tener un funcionamiento impredecible que provoque incendios, explosiones o riesgo de lesiones.
- **No exponga el paquete de baterías o una herramienta al fuego o a temperaturas excesivas.** La exposición al fuego o a temperatura sobre los 130 °C (265 °F) puede provocar explosiones.
- **Siga todas las instrucciones de carga y no cargue el paquete de baterías ni la herramienta fuera del rango de temperaturas especificado en las instrucciones.** Si realiza la carga en forma incorrecta o fuera de las temperaturas del rango especificado puede dañar la batería y aumentar el riesgo de incendios.

ADVERTENCIAS DE SEGURIDAD PARA HERRAMIENTAS ELÉCTRICA

SERVICIO

- **Permita que un técnico de reparación calificado preste servicio a la herramienta eléctrica, y sólo con piezas de repuesto idénticas.** De esta manera se mantiene la seguridad de la herramienta eléctrica.

- **Nunca repare paquetes de baterías dañados.** La reparación de paquetes de baterías solo puede ser realizada por el fabricante o proveedores de servicio autorizados.

ADVERTENCIAS DE SEGURIDAD DE LA SIERRA DE BANDA PORTÁTIL

- **Sujete las herramientas eléctricas por las superficies aisladas de sujeción al efectuar una operación en la cual la herramienta de corte pueda entrar en contacto con cables ocultos o con su propio cordón eléctrico.** Todo contacto de una herramienta con un cable cargado carga las piezas metálicas expuestas de la herramienta y da una descarga eléctrica al operador.

- **PELIGRO: Mantenga las manos alejadas del área de corte y de la hoja.** Mantenga la segunda mano en el mango. Si ambas manos sostienen la sierra, evitará cortárselas con la hoja.

- **Utilice prensas o cualquier otro medio práctico de asegurar y sostener la pieza de trabajo en una plataforma segura.** Sostener la pieza con la mano o contra el cuerpo lo hace inestable y puede causar una pérdida de control.

- **Familiarícese con su herramienta eléctrica. Lea cuidadosamente el manual del operador. Aprenda sus usos y limitaciones, así como los posibles peligros específicos de esta herramienta eléctrica.** Con el cumplimiento de esta regla se reduce el riesgo de una descarga eléctrica, incendio o lesión seria.

- **Siempre use protección ocular con laterales protectores con la marca de cumplimiento con la norma ANSI Z87.1 al ensamblar piezas, utilizar la herramienta o llevar a cabo tareas de mantenimiento.** Con el cumplimiento de esta regla se reduce el riesgo de lesiones corporales serias.

- **Protéjase los pulmones. Use una careta o mascarilla contra el polvo si la operación genera mucho polvo.** Con el cumplimiento de esta regla se reduce el riesgo de lesiones serias.

- **Protéjase los oídos. Durante períodos prolongados de utilización del producto, póngase protección para los oídos.** Con el cumplimiento de esta regla se reduce el riesgo de lesiones corporales serias.

- **No se necesita conectar a una toma de corriente las herramientas de baterías; por lo tanto, siempre están en condiciones de funcionamiento. Esté consciente**

de los posibles peligros cuando no esté usando la herramienta de baterías o cuando esté cambiando los accesorios de la misma. Con el cumplimiento de esta regla se reduce el riesgo de una descarga eléctrica, incendio o lesión corporal seria.

- **No coloque herramientas de baterías ni las baterías mismas cerca del fuego o del calor.** De esta manera se reduce el riesgo de explosiones y de lesiones.

- **No aplaste, deje caer o dañe de baterías. Nunca utilice una batería o cargador que se ha caído, aplastado, recibido un golpe contundente o ha sido dañado(a) de alguna manera.** Las baterías dañadas pueden sufrir explosiones. Deseche de inmediato toda batería que haya sufrido una caída o cualquier daño.

- **Las baterías pueden explotar en presencia de fuentes de inflamación, como los pilotos de gas.** Para reducir el riesgo de lesiones serias, nunca use un producto inalámbrico en presencia de llamas expuestas. La explosión de una batería puede lanzar fragmentos y compuestos químicos. Si ha quedado expuesto a la explosión de una batería, lávese de inmediato con agua.




- **No cargue herramientas de baterías en lugares mojados o húmedos. No lo utilice, guarde o cargue la paquete de baterías o la unidad en lugares donde la temperatura sea inferior a 10 °C (50 °F) o superior a 38 °C (100 °F).** No guarde la herramienta a la intemperie ni en el interior de vehículos.

- **En condiciones extremas de uso o temperatura las baterías pueden emanar líquido. Si el líquido llega a tocarle la piel, lávese de inmediato con agua y jabón. Si le entra líquido en los ojos, láveselos con agua limpia por lo menos 10 minutos, y después busque de inmediato atención médica.** Con el cumplimiento de esta regla se reduce el riesgo de lesiones corporales serias.






- **Guarde estas instrucciones.** Consúltelas con frecuencia y empléelas para instruir a otras personas que puedan utilizar esta herramienta. Si presta a alguien esta herramienta, facilítele también las instrucciones.

SÍMBOLOS

Las siguientes palabras de señalización y sus significados tienen el objeto de explicar los niveles de riesgo relacionados con este producto.

SÍMBOLO	SEÑAL	SIGNIFICADO
	PELIGRO:	Indica una situación peligrosa, la cual, si no se evita, causará la muerte o lesiones serias.
	ADVERTENCIA:	Indica una situación peligrosa, la cual, si no se evita, podría causar la muerte o lesiones serias.
	PRECAUCIÓN:	Indica una situación peligrosa, la cual, si no se evita, podría causar lesiones menores o leves.
	AVISO:	(Sin el símbolo de alerta de seguridad) Indica la información que se considera importante, pero no relacionada con lesiones potenciales (por ej. en relación a daños a la propiedad).

Es posible que se empleen en este producto algunos de los siguientes símbolos. Le sugerimos estudiarlos y aprender su significado. Una correcta interpretación de estos símbolos le permitirá utilizar mejor y de manera más segura el producto.

SÍMBOLO	NOMBRE	DENOMINACIÓN/EXPLICACIÓN
	Alerta de seguridad	Indica un peligro posible de lesiones personales.
	Lea manual del operador	Para reducir el riesgo de lesiones, el usuario debe leer y comprender el manual del operador antes de usar este producto.
	Protección para los ojos	Siempre póngase protección ocular con la marca de cumplimiento de la norma ANSI Z87.1 junto con protección auditiva.
	Alerta de condiciones húmedas	No exponga la unidad a la lluvia ni la use en lugares húmedos.
	Símbolo de reciclado	Este producto utiliza baterías de iones de litio (Li-ion). Es posible que algunas leyes municipales, estatales o federales prohíban desechar las baterías en la basura normal. Consulte a las autoridades reguladoras de desechos para obtener información en relación con las alternativas de reciclado y desecho disponibles.
V	Volts	Voltaje
min	Minutos	Tiempo
—	Corriente continua	Tipo o característica de corriente
n_0	Velocidad en vacío	Velocidad de rotación, en vacío
.../min	Por minuto	Revoluciones, carreras, velocidad superficial, órbitas, etc., por minuto

CARACTERÍSTICAS

ESPECIFICACIONES DEL PRODUCTO

Capacidad de corte.....	63,5 mm (2,5 pulg.)	Espesor de la hoja.....	0,51 mm (0,020 pulg.)
Tipo de hoja.....	Bimetal, 18 dientes por pulgada (TPI)	Longitud de la hoja.....	835 mm (32,875 pulg.)
Ancho de la hoja.....	12,7 mm (0,5 pulg.)	Velocidad de la hoja	170,69 m/min (pies de superficie por minuto)
			(560 pies/min)

ARMADO

ADVERTENCIA:

No use este producto si no está totalmente ensamblado o si alguna pieza falta o está dañada. El uso de un producto que no está adecuadamente y completamente ensamblado o posee partes dañadas o faltantes puede resultar en lesiones personales graves.

ADVERTENCIA:

No intente modificar este producto ni crear aditamentos o accesorios que no estén recomendados para usar con este producto. Dichas alteraciones o modificaciones constituyen un uso indebido y podrían provocar una situación de riesgo que cause posibles lesiones personales graves.

Si hay piezas dañadas o faltantes, le suplicamos llamar al 1-800-525-2579, donde le brindaremos asistencia.

FUNCIONAMIENTO

ADVERTENCIA:

No permita que su familiarización con las herramientas lo vuelva descuidado. Tenga presente que un descuido de un instante es suficiente para causar una lesión grave.

ADVERTENCIA:

Siempre retire el paquete de baterías de la herramienta cuando esté ensamblando partes, realizando ajustes, limpiando o cuando ésta no esté en uso. Retirando el paquete de baterías se evita arrancar accidentalmente la unidad, lo cual puede causar lesiones serias.

ADVERTENCIA:

Siempre póngase protección ocular con protección lateral con la marca de cumplimiento de la norma ANSI Z87.1. Si no cumple esta advertencia, los objetos que salen despedidos pueden producirle lesiones serias en los ojos.

ADVERTENCIA:

No utilice ningún aditamento o accesorio no recomendado por el fabricante de esta producto. El empleo de aditamentos o accesorios no recomendados podría causar lesiones serias.

ADVERTENCIA:

Las herramientas de baterías siempre están en condiciones de funcionamiento. Quite el paquete de baterías cuando la unidad no esté en uso o la cargue a su lado.

MONTAJE Y DESMONTAJE LA HOJA

Veá la figura 1, página 9.

NOTA: Use hojas de 0,51 mm (0,02 pulg.) de espesor y 835,03 mm (32-7/8 pulg.) de largo solamente.

Para instalarla la hoja:

- Bloquee el gatillo del interruptor y retire el paquete de baterías.
- Gire la palanca de afloje de tensión de la hoja 180° hacia la izquierda para aflojar la tensión de la hoja.
- Voltee la sierra y colóquela sobre una superficie plana y nivelada.
- Inserte la hoja de la sierra en la ranura del tope de trabajo y entre los rodillos de la guía, asegurándose de que los dientes de la hoja queden orientados hacia fuera con respecto a la sierra.
- Pase el resto de la hoja de la sierra por los lados y la parte posterior de las poleas. Si es necesario, gire las poleas con la mano para mover la hoja con mayor facilidad.

NOTA: Cuando la hoja esté correctamente instalada, los dientes de la hoja deben quedar bien alineados con la parte superior de las gomas alrededor de las poleas. Se pueden realizar ajustes de precisión utilizando los tornillos de recorrido, si es necesario. Consulte **Cómo ajustar el recorrido de la hoja** más adelante en este manual.

- Gire la palanca de afloje de tensión de la hoja 180° hacia la derecha para bloquear la hoja en su lugar.
- **Para retirar la hoja:** gire la palanca de afloje de tensión de la hoja 180° hacia la izquierda y, luego, afloje la hoja comenzando desde la parte posterior.

APLICACIONES

Este producto puede emplearse para el fine siguientes:

- Operaciones de corte en línea recta en tubos metálicos, acero corrugado, conductos, postes, plásticos, madera, etc., de hasta 63,5 mm (2,5 pulg.).

SELECCIÓN DE LAS HOJAS

Es importante seleccionar una hoja de tipo correcto con el fin de lograr un desempeño óptimo de la sierra. Debe seleccionarse la hoja según el uso y el material deseados. Si se selecciona una hoja adecuada se logra un corte más limpio y rápido, así como una vida de servicio más prolongada de la hoja de corte. Recomendamos 14 TPI para plásticos y madera, 18 TPI para metales blandos y usos múltiples, y 24 TPI para metales duros.

INSTALACIÓN/DESMONTAR DEL PAQUETE DE BATERÍAS

Veá la figura 2, página 9.

- Bloquee el gatillo del interruptor.
- Coloque el paquete de baterías en el producto como se muestra.

FUNCIONAMIENTO

■ Asegúrese de que los pestillos situados a ambos lados del paquete de baterías entren completamente en su lugar con un chasquido y de que el paquete quede bien asegurado en la herramienta antes de comenzar a utilizarla.

■ Oprima los pestillos para extraer el paquete de baterías.

Para obtener instrucciones específicas de carga, lea el manual del operador que se incluye con el cargador y la batería.

CÓMO AJUSTAR EL RECORRIDO DE LA HOJA

Vea la figura 3, página 10.

La hoja está ajustada correctamente si los dientes de la hoja están bien alineados con la parte superior de las gomas alrededor de las poleas.

Para ajustar el recorrido de la hoja:

■ Busque los dos tornillos de recorrido de la hoja ubicados sobre y debajo de la palanca de afloje de tensión de la hoja.

■ Con la llave hexagonal provista o cualquier llave hexagonal de 2,5 mm, gire cada uno de los dos tornillos de recorrido 1/4 de vuelta. Gírelos hacia la derecha para mover la hoja para dentro hacia la carcasa de la sierra o hacia la izquierda para mover la hoja hacia fuera.

NOTA: El área de almacenamiento de la llave hexagonal se encuentra en la parte delantera de la sierra debajo del receptáculo de la batería.

■ Voltee la sierra para ver los resultados del ajuste. Continúe haciendo ajustes de 1/4 de vuelta en **AMBOS** tornillos hasta que la hoja parezca estar en la posición correcta.

■ Supervise la posición de la hoja cuando vuelva a usar la sierra y realice los ajustes que sean necesarios.

AJUSTE DEL TOPE DE TRABAJO

Vea la figura 4, página 10.

El tope de trabajo de la sierra tiene dos posiciones disponibles para la instalación y se puede ajustar, si es necesario, según el tamaño de la pieza de trabajo.

■ Bloquee el gatillo del interruptor y retire el paquete de baterías.

■ Retire los dos tornillos del tope de trabajo con la llave hexagonal provista o cualquier llave hexagonal de 2,5 mm.

■ Mueva el tope de trabajo a la otra posición disponible.

■ Vuelva a instalar los dos tornillos y ajústelos firmemente.

APAGADO Y ENCENDIDO DE LA SIERRA

Vea la figura 5, página 10.

El botón del seguro de apagado se encuentra en el mango trasera, arriba del gatillo del interruptor y el cual reduce la posibilidad de un arranque accidental.

■ **Para encender la sierra:** Deslice el botón del seguro de apagado hasta la posición de “unlock” y oprima el gatillo del interruptor.

■ **Para apagar la sierra:** Suelte el interruptor y vuelva a colocar el botón del seguro en la posición de bloqueo.

PRECAUCIÓN:

El botón del seguro de apagado debe estar en la posición de asegurado cuando la sierra no está siendo utilizada o al ser transportada.

CONSEJOS PARA REALIZAR CORTES

■ Asegúrese de que la hoja de la sierra esté lejos de todo objeto extraño.

■ Marque claramente la línea de corte.

■ No utilice refrigerantes líquidos al cortar metal.

■ Si se produce una vibración excesiva durante el corte, asegúrese de que la pieza de trabajo esté bien sujeta. Si la vibración continúa, es posible que tenga que ajustar la hoja de la sierra.

CORTES

Vea las figuras 6 y 7, página 11.

ADVERTENCIA:

Sostenga la sierra con ambas manos. Asegúrese de que la pieza de trabajo esté bien sujeta con abrazaderas, una morsa o métodos similares, para evitar que esta se mueva, ya que esto podría causar la pérdida de control y provocar lesiones graves.

ADVERTENCIA:

Asegúrese de que la hoja no toque el trabajo hasta que el motor alcance la velocidad máxima, ya que esto podría causar la pérdida de control y causar lesiones graves.

■ Asegure la pieza de trabajo en un banco o mesa de trabajo con una prensa fija o varias de mano.

NOTA: Recuerde considerar el tamaño y peso de la pieza que cortará y garantizar un soporte adecuado para evitar posibles lesiones por la caída de la pieza de trabajo.

■ Sostenga firmemente la sierra con ambas manos, al frente y bien alejada de usted.

■ Coloque el tope de trabajo contra la pieza de trabajo, pero no permita que la hoja toque la pieza.

■ Deslice el botón del seguro de apagado hasta la posición de desasegurar y oprima el gatillo para comenzar a cortar.

NOTA: La luz de trabajo iluminará cada vez que presione el gatillo del interruptor y se apagará automáticamente después de soltarlo.

■ Una vez que la hoja de la sierra alcance la velocidad máxima de corte, mueva lentamente la hoja para que penetre en la pieza de trabajo. Mantenga la cantidad máxima posible de dientes en contacto con la pieza de trabajo y también la hoja recta durante el corte, sin doblarla.

NOTA: No fuerce. Use solo la presión suficiente para que la sierra corte y mantener el tope de trabajo contra la pieza. Permita que la hoja y el peso de la herramienta hagan el trabajo.

■ A medida que finaliza el corte, sostenga la sierra firmemente para que no caiga contra la pieza de trabajo.

■ Cuando haya terminado con la sierra, bloquee el gatillo del interruptor, retire el paquete de baterías y use el gancho de almacenamiento provisto para colgar la sierra cuando la guarde. Asegúrese de colgar la sierra en una estructura estable y adecuada para evitar posibles daños o lesiones como resultado de que la herramienta se caiga.

MAINTENANCE

WARNING:

When servicing, use only identical replacement parts. Use of any other parts could create a hazard or cause product damage.

GENERAL MAINTENANCE

Avoid using solvents when cleaning plastic parts. Most plastics are susceptible to damage from various types of commercial solvents and may be damaged by their use. Use clean cloths to remove dirt, dust, oil, grease, etc.

ENTRETIEN

AVERTISSEMENT :

Utiliser exclusivement des pièces d'origine pour les réparations. L'usage de toute autre pièce pourrait créer une situation dangereuse ou endommager l'produit.

ENTRETIEN GÉNÉRAL

Éviter d'utiliser des solvants pour le nettoyage des pièces en plastique. La plupart des matières plastiques peuvent être endommagées par divers types de solvants du commerce. Utiliser un chiffon propre pour éliminer la saleté, la poussière, l'huile, la graisse, etc.

MANTENIMIENTO

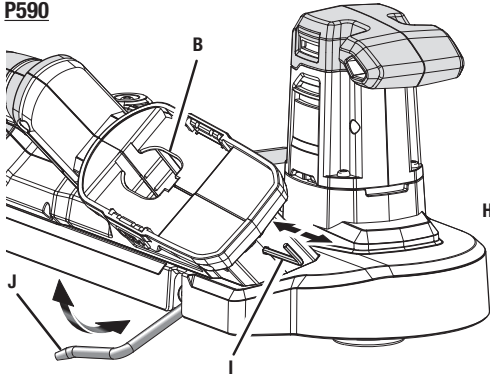
ADVERTENCIA:

Al dar servicio a la unidad, sólo utilice piezas de repuesto idénticas. El empleo de piezas diferentes podría causar un peligro o dañar el producto.

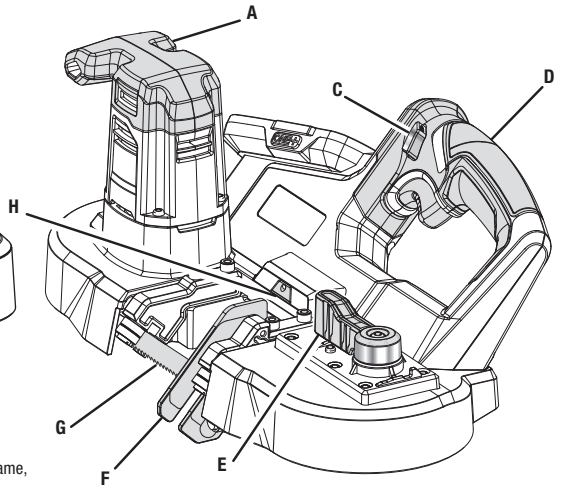
MANTENIMIENTO GENERAL

Evite el empleo de solventes al limpiar piezas de plástico. La mayoría de los plásticos son susceptibles a diferentes tipos de solventes comerciales y pueden resultar dañados. Utilice paños limpios para eliminar la suciedad, el polvo, el aceite, la grasa, etc.

P590

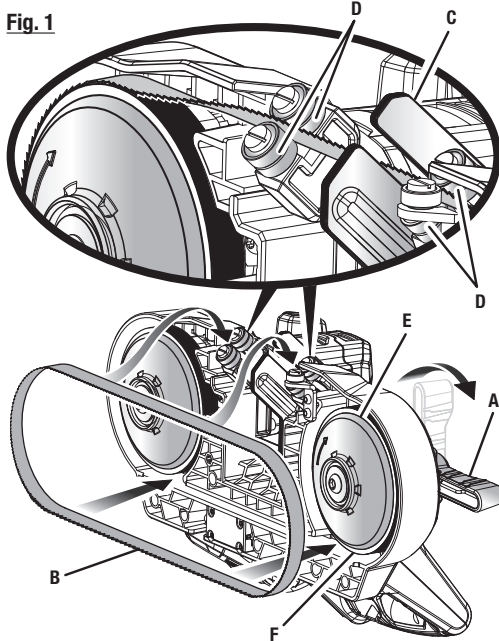


- A - Front handle (poignée avant, mango delantero)
- B - Battery port (logement de pile, receptáculo de las batería)
- C - Lock-off button (bouton de verrouillage, botón del seguro)
- D - Rear handle (poignée arrière, mango trasera)
- E - Blade tension release lever (levier de soulagement de tension de la lame, palanca de afloje de tensión de la hoja)
- F - Work stop (butée, tope de trabajo)
- G - Blade (lame, hoja)
- H - Worklight (lampe de travail, luz de trabajo)
- I - Hex key (clé hexagonale, llave hexagonale)
- J - Storage hook (crochet de rangement, gancho para almacenamiento)



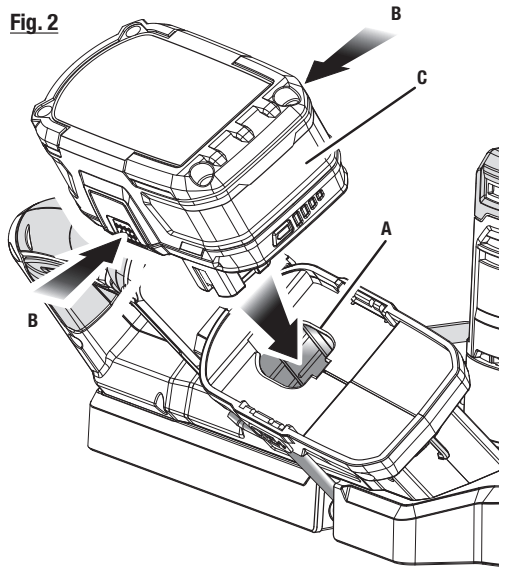
- I - Hex key (clé hexagonale, llave hexagonale)
- J - Storage hook (crochet de rangement, gancho para almacenamiento)

Fig. 1



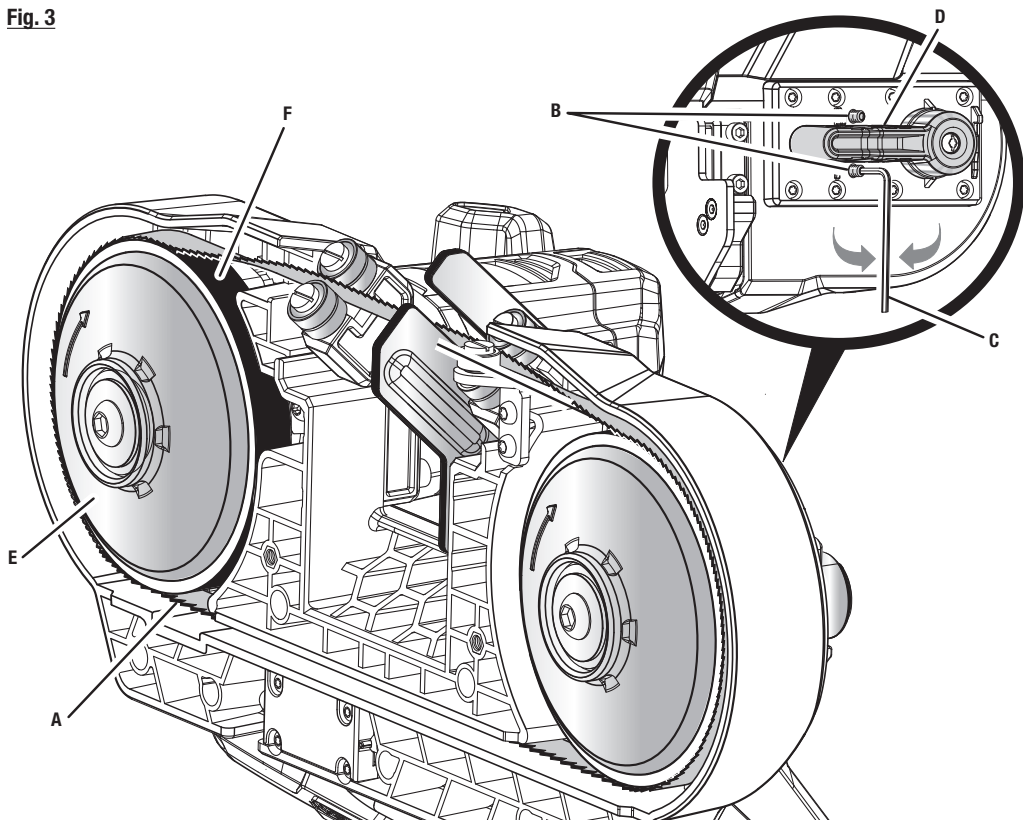
- A - Blade tension release lever (levier de soulagement de tension de la lame, palanca de afloje de tensión de la hoja)
- B - Saw blade (lame de scie, hoja de la sierra)
- C - Work stop (butée, tope de trabajo)
- D - Guide rollers (galets de guidage, rodillos de la guía)
- E - Pulley (poulie, polea)
- F - Tire (pneu, goma)

Fig. 2



- A - Battery port (logement de pile, receptáculo de las batería)
- B - Depress latches to remove battery pack (appuyer sur les loquets pour libérer le bloc-pile, para soltar el paquete de baterías, oprima los pestillos)
- C - Battery pack (bloc-pile, paquete de batería)

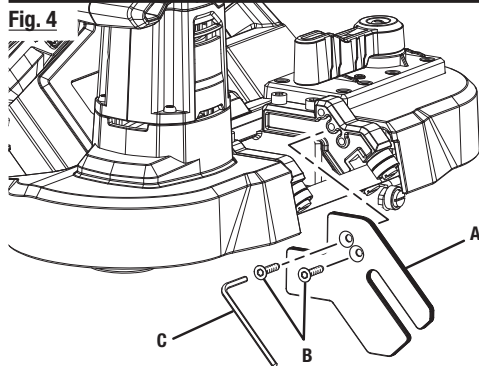
Fig. 3



- A - Blade (lame, hoja)
- B - Blade tracking screws (vis du sillage de lame, tornillos de recorrido de la hoja)
- C - Hex key (clé hexagonale, llave hexagonal)

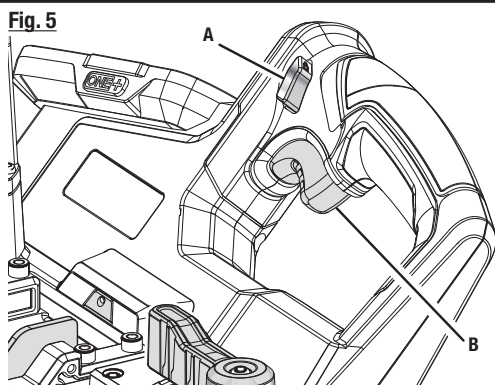
- D - Blade tension release lever (levier de soulagement de tension de la lame, palanca de afloje de tensión de la hoja)
- E - Pulley (poulie, polea)
- F - Tire (pneu, goma)

Fig. 4



- A - Work stop (butée, tope de trabajo)
- B - Screws (vis, tornillos)
- C - Hex key (clé hexagonale, llave hexagonal)

Fig. 5



- A - Lock-off button (bouton de verrouillage, botón del seguro de apagado)
- B - Switch trigger (gâchette de commutateur, gatillo del interruptor)

Fig. 6

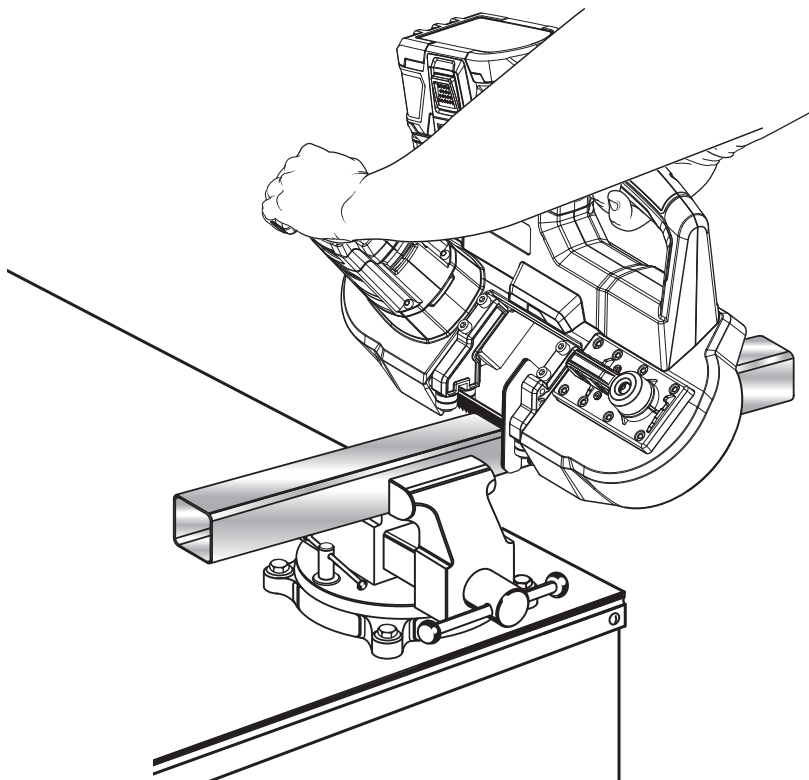
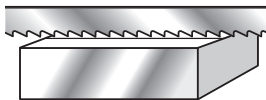


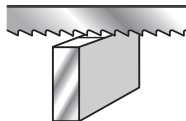
Fig. 7

KEEP MOST TEETH POSSIBLE IN CONTACT WITH WORKPIECE
LE PLUS POSSIBLE DE DENTS POSSIBLE DOIVENT TOUCHER LA PIÈCE À TRAVAILLER
MANTENGA LA MAYOR PARTE DE LOS DIENTES POSSIBLE EN CONTACTO CON LA PIEZA DE TRABAJO

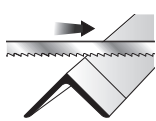
CORRECT / CORRECTO



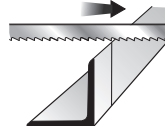
INCORRECT / INCORRECTO



CORRECT / CORRECTO



INCORRECT / INCORRECTO





OPERATOR'S MANUAL/18 V PORTABLE BAND SAW
MANUEL D'UTILISATION / SCIE À RUBAN PORTABLE DE 18 V
MANUAL DEL OPERADOR/SIERRA DE BANDA PORTÁTIL DE 18 V
P590

To request service, purchase replacement parts,
locate an Authorized Service Center or obtain Customer or Technical Support:
Visit www.ryobitools.com or call **1-800-525-2579**

If any parts or accessories are damaged or missing, do not return this product to the store.
Call **1-800-525-2579** for immediate service.

Please obtain your model and serial number from the product data plate.
This product is covered under a 3-year limited Warranty. Proof of purchase is required.

MODEL NUMBER* _____ SERIAL NUMBER _____

**Model number on product may have additional letters at the end. These letters designate manufacturing information and should be provided when calling for service.*

RYOBI is a registered trademark of Ryobi Limited and is used pursuant to a license granted by Ryobi Limited.

Pour faire une demande de réparations ou obtenir des pièces de rechange, trouver un
Centre de réparations agréé pour obtenir un soutien technique ou le Service à la clientèle :
Visiter www.ryobitools.com ou en téléphonant au **1-800-525-2579**

Si des pièces ou accessoires sont manquantes ou endommagées, ne pas retourner
ce produit au magasin. Appeler immédiatement au **1-800-525-2579** pour obtenir de l'aide.

Inscrire les numéros de modèle et de série inscrits sur la plaque d'identification du produit.
Ce produit est couvert par une garantie limitée de trois (3) ans. Une preuve d'achat est exigée.

NUMÉRO DE MODÈLE* _____ NUMÉRO DE SÉRIE _____

**Le numéro de modèle sur le produit peut contenir des lettres supplémentaires à la fin. Ces lettres désignent les informations du fabricant et doivent être fournies lors d'un appel de demande de service.*

RYOBI est une marque déposée de Ryobi Limited et est utilisée en vertu d'une licence accordée par Ryobi Limited.

Para obtener servicio, comprar piezas de repuesto, localizar un centro
de servicio autorizado y obtener Servicio o Asistencia Técnica al Consumidor:
Visite www.ryobitools.com o llame al **1-800-525-2579**

Si hay alguna pieza o accesorios dañada o faltante, no devuelva este producto a la tienda.
Llame al **1-800-525-2579** para servicio técnico inmediato.

Obtenga su modelo y número de serie de la placa de datos del producto.
Este producto está cubierto con una garantía limitada de 3 años. Se solicita prueba de la compra.

NÚMERO DE MODELO* _____ NÚMERO DE SERIE _____

**El número de modelo que figura en el producto podría tener letras adicionales al final. Estas designan información de fabricación y deben suministrarse cuando llame para obtener asistencia o servicio.*

RYOBI es una marca registrada de Ryobi Limited y se utiliza conforme a una licencia otorgada por Ryobi Limited.

TTI CONSUMER POWER TOOLS, INC.

P.O. Box 1288, Anderson, SC 29622 • Phone 1-800-525-2579
États-Unis, Téléphone 1-800-525-2579 • USA, Teléfono 1-800-525-2579

www.ryobitools.com