

## REPAIR SHEET

BRAND

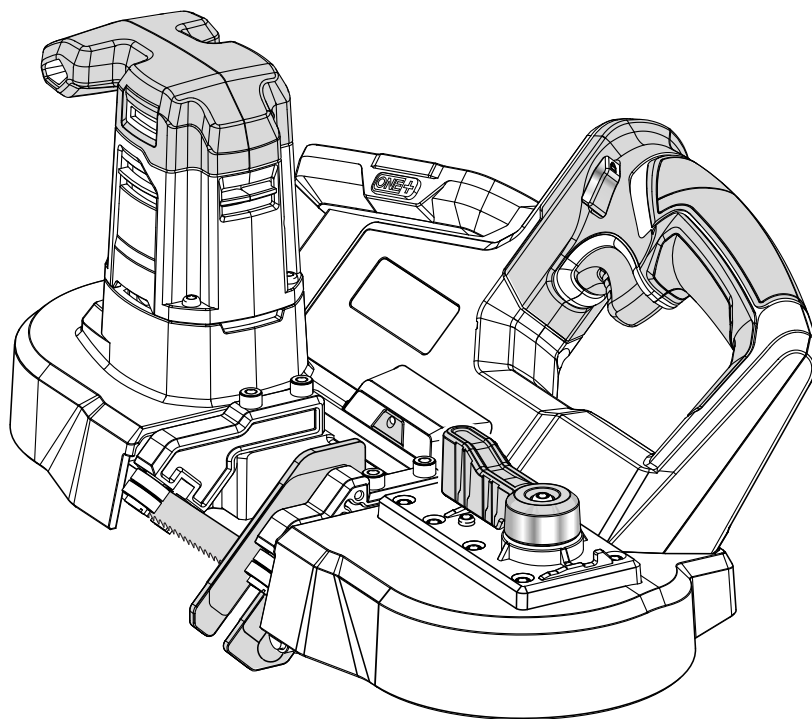
**RYOBI**

DESCRIPTION

# 18 Volt Portable Band Saw

MODEL NO.

**P590**

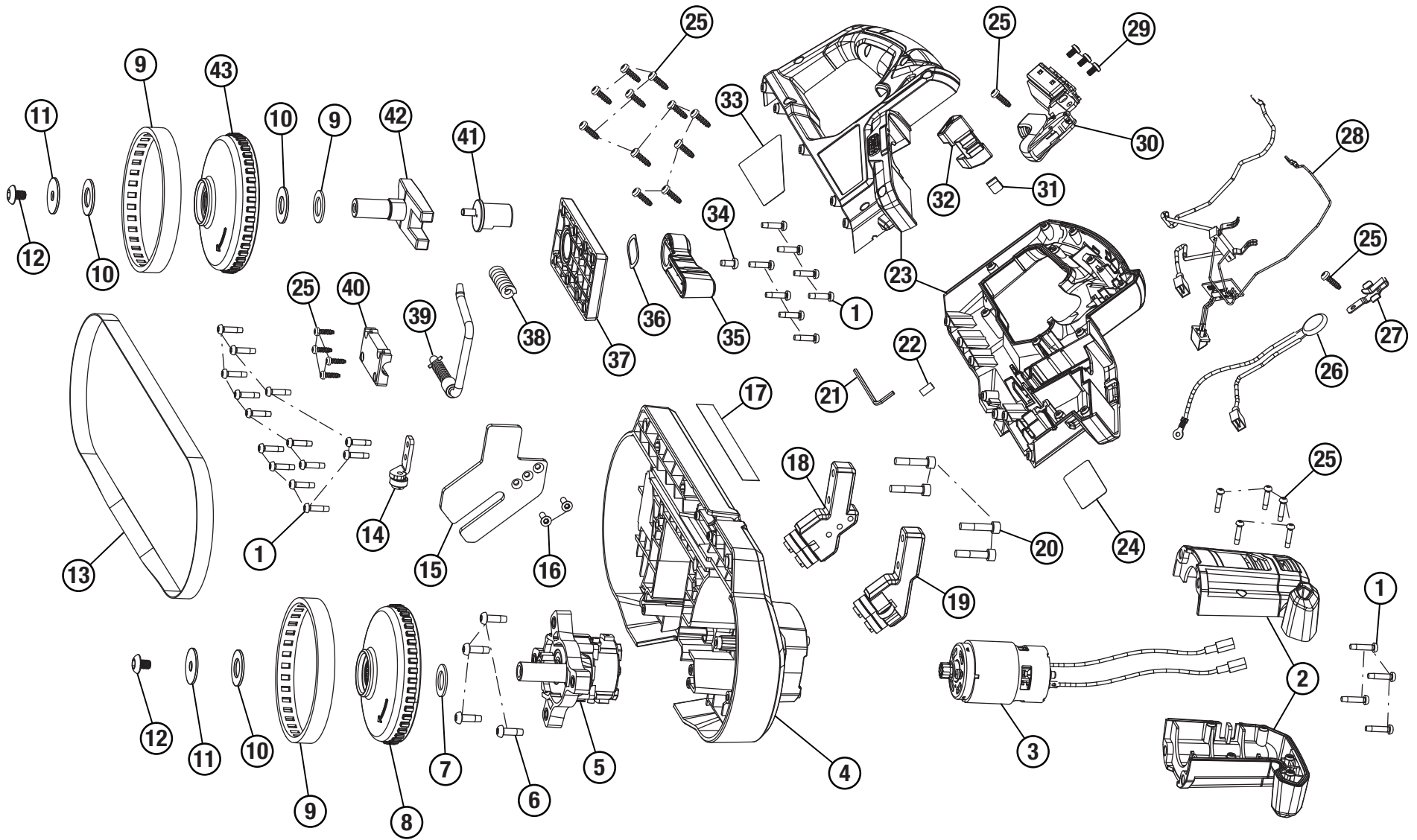


**TTI CONSUMER POWER TOOLS, INC.**

P.O. Box 1288, Anderson, SC 29622 ■ 1-800-525-2579 ■ [www.ryobitools.com](http://www.ryobitools.com)

3-5-26 (Rev:07)

*The model number and manufacturing location will be found on a label attached to the product. Always mention this information in all communications regarding this product and when ordering parts.*





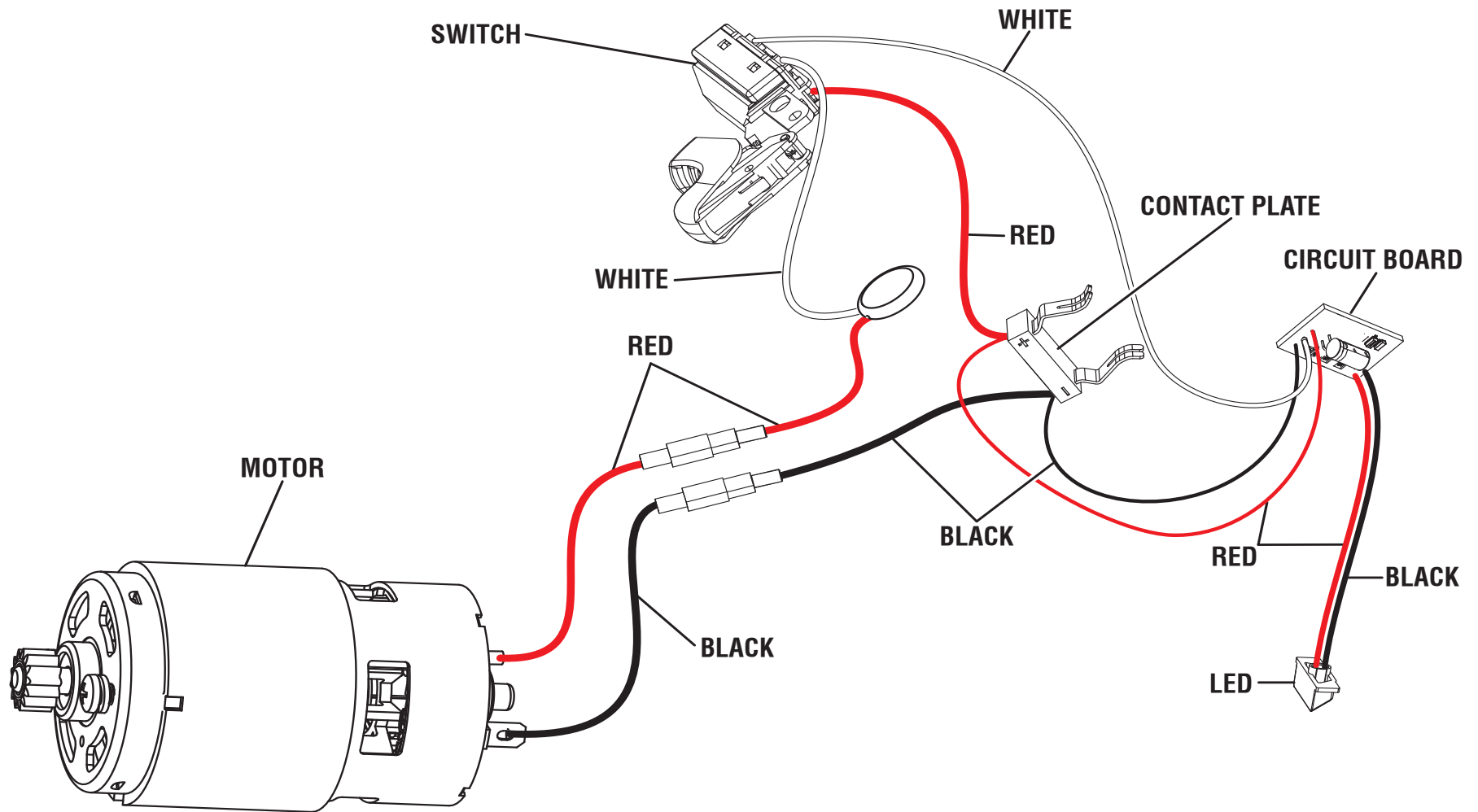
P590

PARTS LIST

KEY NO.	PART NO.	DESCRIPTION	QTY.
1	660024018	Screw (M4 x 16 mm, T20 Torx Pan Hd.)	26
2	204904002	Motor Housing Assembly	1
3-CN	206901001	Motor Assembly	1
3-VN	206901007		1
4	204905002	Base Assembly	1
5-CN	206901002	Gear Assembly	1
5-VN	206901008		1
6	661075002	Screw (M5 x 16 mm, T20 Torx Pan Hd.)	4
7	635523001	Washer (ID14.2 x OD24 x 1.5t)	2
8	204902003	Blade Drive Pulley	1
9	560142002	Rubber Blade Pulley Tire	2
10	537789001	Ring Spacer	3
11	633266001	Washer (ID7 x OD27 x 1.5t)	2
12	661299001	Screw (1/4-20 x 35 mm)	2
13	682277002	Band Saw Blade	1
14	314448001	Band Saw Guide Assembly	1
15	658222001	Work Rest	1
16	662054002	Screw (M4 x 12 mm, Hex Hd.)	2
17	941120458	Warning Label	1
18	204907002	Guide Roller	1
19	204906002	Guide Roller Assembly	1
20	662393001	Screw (M5 x 25 mm, Hex Hd.)	4
21	693523002	Hex Key	1
22	560219006	Contact Plate	1
23	204908006	Handle Assembly	1
24	940304497	Logo Label	1

KEY NO.	PART NO.	DESCRIPTION	QTY.
25	662565001	Screw (M3.5 x 14 mm, T10 Torx Pan Hd.)	22
26	204802002	Wire Assembly	1
27	658269001	Bracket	1
28-CN	280680002	Control Board Assembly	1
28-VN	206919002		1
29	660320001	Screw (M3.5 x 7 mm, Pan Hd.)	3
30	760677026	Switch	1
31	692342001	Button	1
32	535210001	Lock-Out Button	1
33-CN	941122247	Data Label	1
33-VN	941124817		1
34	660414008	Screw (M4 x 16 mm, T20 Torx Pan Hd.)	1
35	535208001	Blade Release Lever	1
36	672665001	Spring Washer	1
37	204803004	Tension Cover Assembly	1
38	696966001	Blade Tension Spring	1
39	204909004	Hook Assembly	1
40	536998001	Hook Cover	1
41-CN	204801002	Cam Block Assembly	1
41-VN	204801003		
42	204800004	Tension Block Assembly	1
43	313682001	Blade Idle Pulley w/Insert	1
	<b>Not Shown:</b>		
	995000837	Operator's Manual	

If a key number has multiple part numbers, please order the part that corresponds with the country of origin shown on the product's data label. CN = China VN = Vietnam



**WIRING DIAGRAM**