

REPAIR SHEET

BRAND

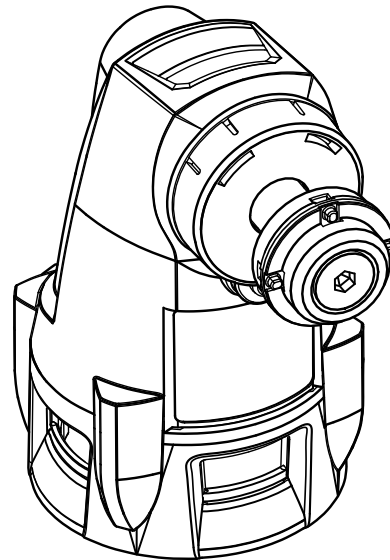
RYOBI

DESCRIPTION

JOBPLUS™ Multi-Tool Head

MODEL NO.

P570

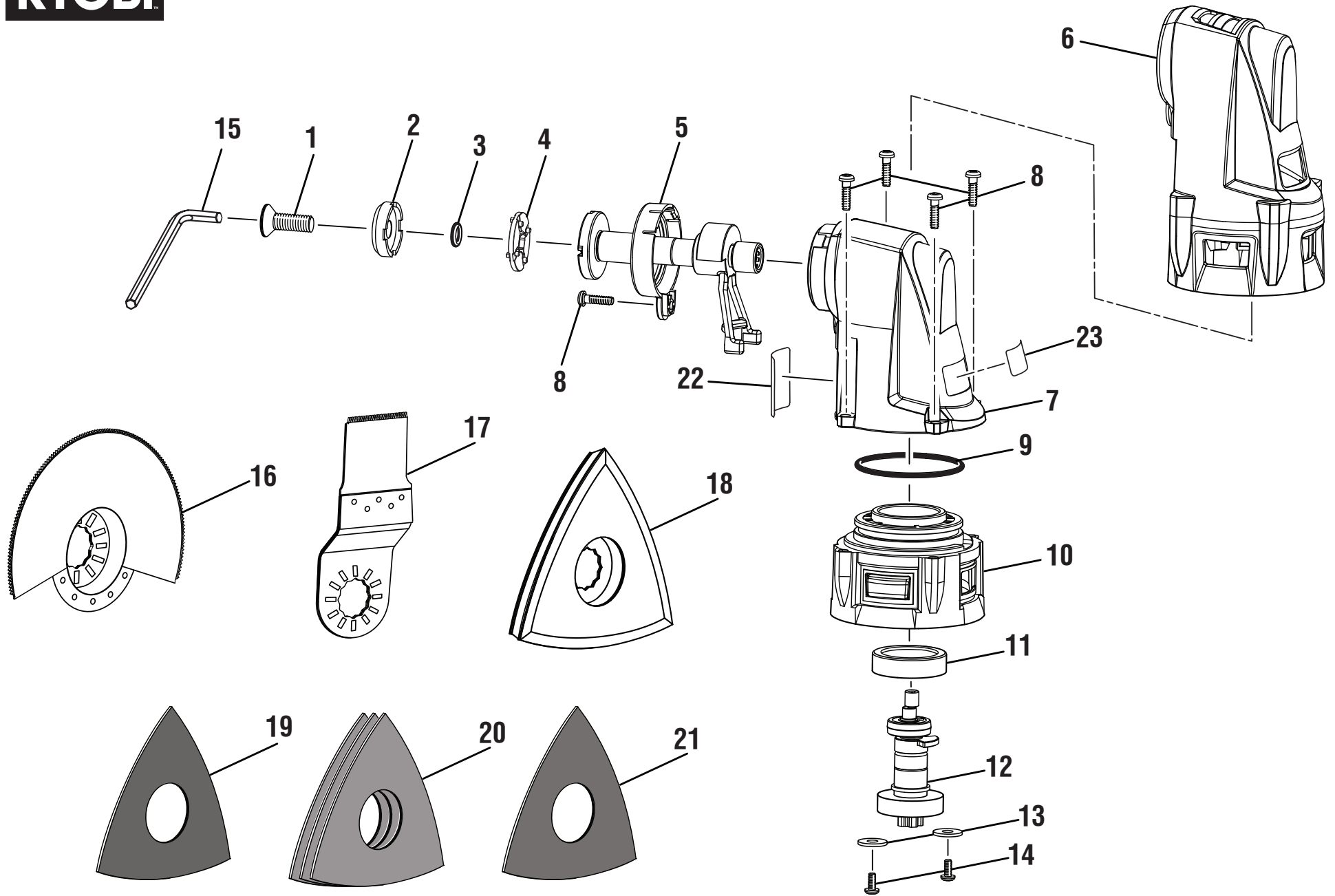


ONE WORLD TECHNOLOGIES, INC.

P.O. Box 1288, Anderson, SC 29622 ■ 1-800-525-2579 ■ www.ryobitools.com

5-14-21 (Rev:05)

The model number and manufacturing location will be found on a label attached to the product. Always mention this information in all communications regarding this product and when ordering parts.



PARTS LIST

KEY NO.	PART NO.	DESCRIPTION	QTY.
1	661379002	Screw (M6 x 18 mm, Flat Hd. w/Recessed Socket)	1
2	692512002	Sleeve	1
3	560324002	O-Ring	1
4	692496002	Adaptor	1
5	303626003	Output Shaft Assembly	1
6	562806001	Rubber Boot	1
7	303628001	Front Head Housing Assembly	1
8	661414001	Screw (M3 x 11 mm, T10 Torx Pan Hd.)	5
9	562404001	O-Ring	1
10	641633003	Rear Head Housing	1
11	562409002	Rubber Bearing Seat	1
12	303627001	Spline Shaft Assembly	1
13	633105002	Washer (10.6 mm x 2.7 mm x 1.5 mm)	2

KEY NO.	PART NO.	DESCRIPTION	QTY.
14	661205001	Screw (M2.6 x 6 mm, T8 Torx Pan Hd.)	2
15	6800201	Hex Key (5 mm)	1
16	681457007	Segment Saw Blade	1
17	681458010	Wood Cutting Blade	1
18	303590006	Detail Sanding Backing Pad	1
19	902423001	60 Grit Sanding Sheet	1
20	902460001	80 Grit Sanding Sheet	3
21	902424001	120 Grit Sanding Sheet	1
22-CN	940488316	Data Label	1
22-VN	941488337	Data Label	1
23	940221159	Warning Label	1
	Not Shown:		
	988000600	Operator's Manual	