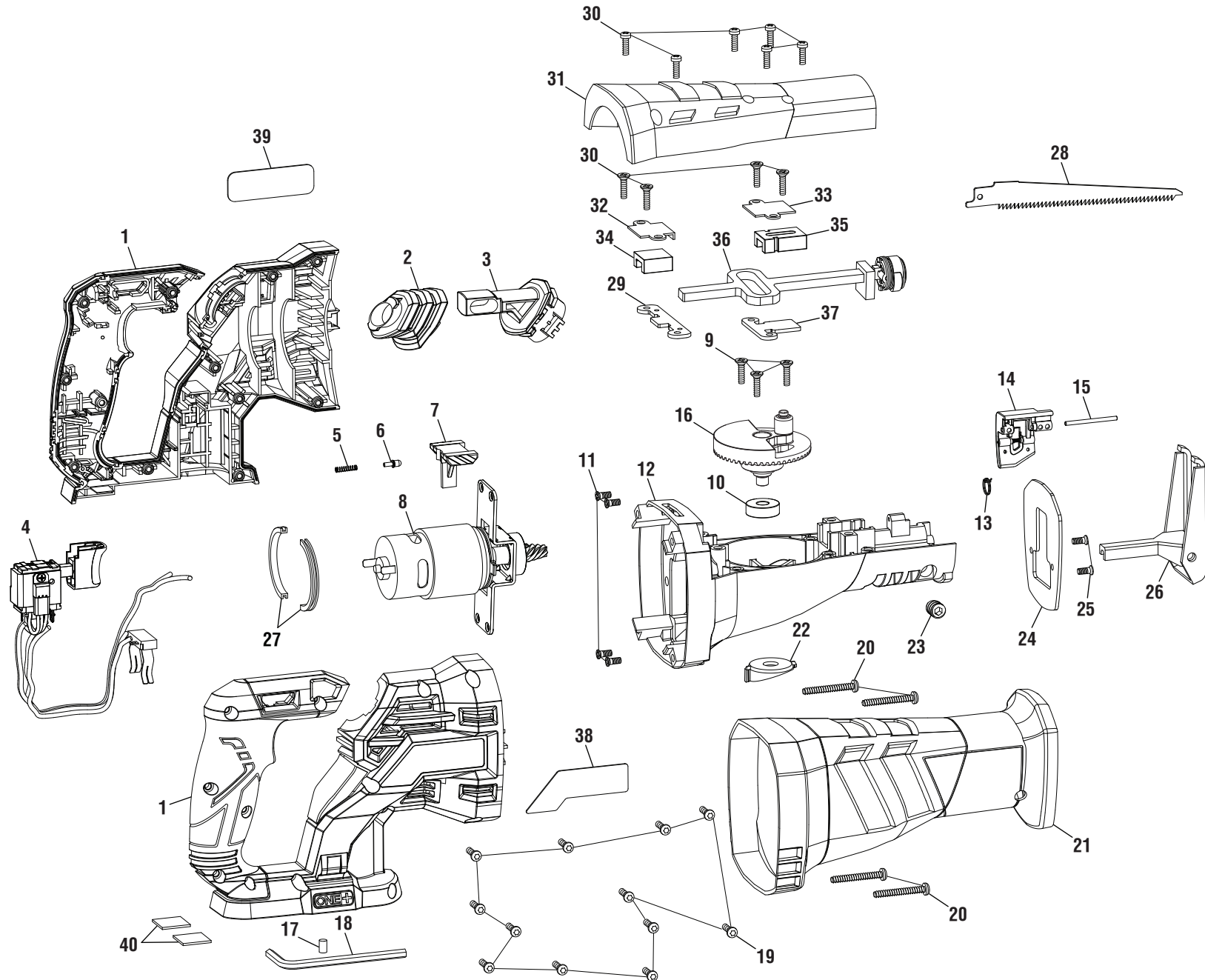


RYOBI
18V RECIPROCATING SAW
MODEL NO. P516
REPAIR SHEET

RYOBI 18V RECIPROCATING SAW – MODEL NUMBER P516

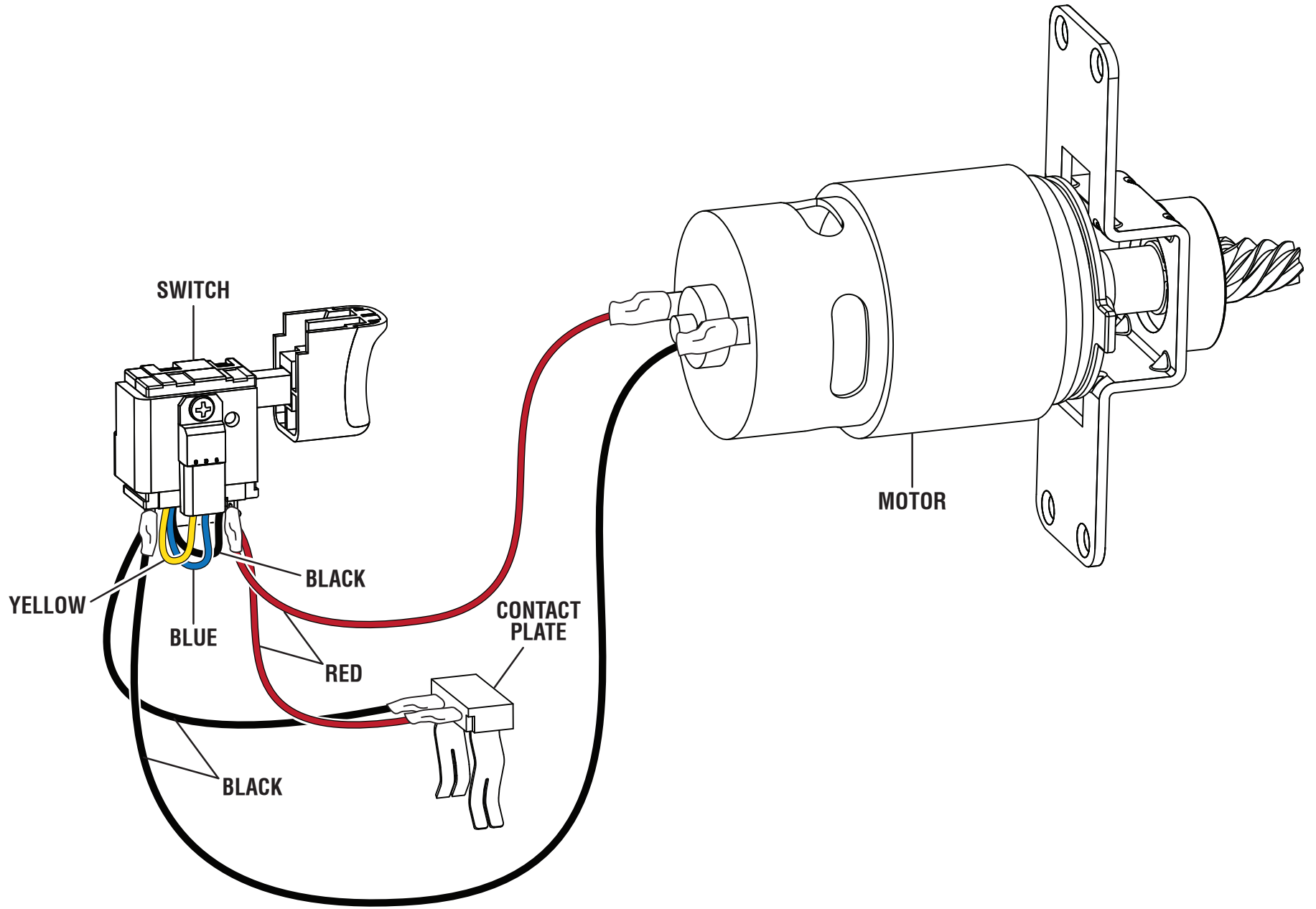


RYOBI 18V RECIPROCATING SAW – MODEL NUMBER P516

The model number will be found on a label attached to the motor housing. Always mention the model number in all correspondence regarding your **RECIPROCATING SAW** or when ordering repair parts.

PARTS LIST

KEY NO.	PART NUMBER	DESCRIPTION	QTY	KEY NO.	PART NUMBER	DESCRIPTION	QTY
1	204122001	Housing Assembly (Inc. Key Nos. 38-40).....	1	23	660170001	Screw (M10).....	1
2	564095001	Rubber Sleeve	1	24	634971001	Guide Plate	1
3	523283001	Connecting Rod.....	1	25	660165015	Screw (M4 x 0.7 in., T20 Torx Pan Hd.).....	2
4	204123001	Switch Assembly	1	26	300216056	Shoe Assembly.....	1
5	692177001	Compression Spring.....	1	27	570264001	Rubber Cushion.....	2
6	526010001	Pin.....	1	28	690291037	Blade (Wood Cutting)	1
7	352571001	Safety Button.....	1	29	635224001	Rear Plate	1
8	206470001	Motor Assembly	1	30	661171001	Screw (M4 x 16 mm).....	10
9	661185001	Screw (#8-32 x 1/2 in., T15 Torx Hd.).....	3	31	526259001	Gear Case Cover	1
10	681991001	Ball Bearing (628 2Z)	1	32	690349001	Rear Cover Plate	1
11	660228012	Screw (M3 x 8 mm).....	4	33	690342001	Front Cover Block.....	1
12	642155006	Gear Case Housing	1	34	690356001	Rear Guiding Block.....	1
13	690502001	Torsion Spring.....	1	35	610730001	Front Guiding Block.....	1
14	204126001	Release Lever Assembly	1	36	204124001	Sliding Rod w/Blade Clamp Assembly.....	1
15	690518001	Pin.....	1	37	635222001	Front Plate	1
16	204125001	Gear and Bearing Assembly (Inc. Key Nos. 9-10)	1	38	941121724	Data Label	1
17	560219003	Rubber Stopper	1	39	940114178	Logo Label.....	1
18	6800201	Hex Key	1	40	561980001	Foam Rubber.....	2
19	660024015	Screw (M4 x 14 mm, T20 Torx Hd.).....	12	Not Shown:			
20	660259008	Screw (M4.5 x 35 mm).....	4	991000387	Operator's Manual		
21	563431001	Rubber Boot	1	11-16-16			
22	531042001	Cover	1	(Rev:03)			



WIRING DIAGRAM