




REGISTER YOUR TOOLS
 @ <http://register.ryobitools.com>
 1-800-525-2579

EN MEXICO:
PARA MÁS INFORMACIÓN
WWW.RYOBITOLS.MX
CENTROS DE SERVICIO
 01-800-843-1111 

OPERATOR'S MANUAL

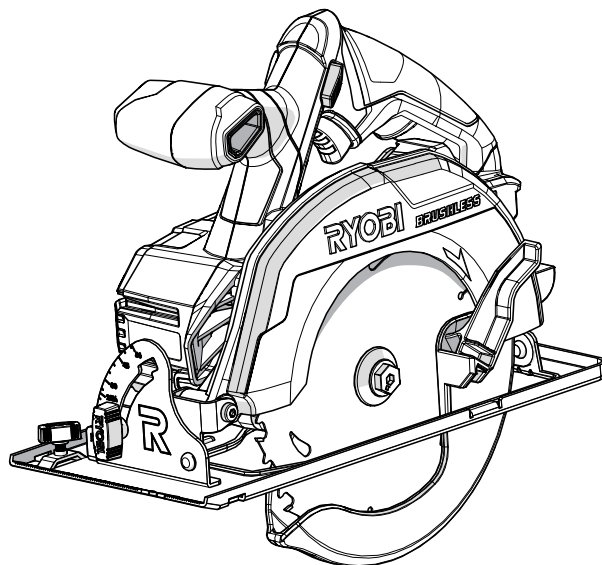
MANUEL D'UTILISATION
 MANUAL DEL OPERADOR

7-1/4 in. 18 VOLT BRUSHLESS
 CIRCULAR SAW

SCIE CIRCULAIRE À MOTEUR SANS
 BALAI DE 184 mm
 (7-1/4 po) 18 V

SIERRA CIRCULAR SIN ESCOBILLAS
 DE 184 mm
 (7-1/4 pulg.) 18 V

P508/P508VN



INCLUDES: Circular Saw, 7-1/4 in. Blade, Blade Wrench, Operator's Manual

TABLE OF CONTENTS

- General Power Tool Safety Warnings2-3
- Circular Saw Safety Warnings3-4
- Symbols.....5
- Features.....6
- Assembly6-7
- Operation.....7-10
- Adjustments10-11
- Maintenance..... 11
- Accessories..... 12
- Illustrations13-15
- Parts OrderingService Back Page

INCLUT : Scie circulaire, lame de 184 mm (7-1/4 po), clé de lame, manuel d'utilisation

TABLE DES MATIÈRES

- Avertissements de sécurité relatives aux outils électriques2-3
- Avertissements de sécurité relatifs au scie circulaire3-4
- Symboles.....5
- Caractéristiques6
- Assemblage.....6-7
- Utilisation.....7-10
- Réglages..... 11
- Entretien 12
- Accessoires 12
- Illustrations13-15
- Commande de pièces/ réparation.....Page arrière

INCLUYE: Sierra circular, hoja de 184 mm (7-1/4 pulg.), llave de la hoja, manual del operador

ÍNDICE DE CONTENIDO

- Advertencias de seguridad para herramientas eléctricas.....2-3
- Advertencias de seguridad sierra circular.....3-4
- Símbolos5
- Características6
- Armado.....6-7
- Funcionamiento.....7-10
- Ajustes..... 11
- Mantenimiento..... 12
- Accesorios..... 12
- Ilustraciones13-15
- Pedidos de piezas/ servicio..... Pág. posterior

⚠ WARNING: To reduce the risk of injury, the user must read and understand the operator's manual before using this product.

⚠ AVERTISSEMENT : Pour réduire les risques de blessures, l'utilisateur doit lire et veiller à bien comprendre le manuel d'utilisation avant d'employer ce produit.

⚠ ADVERTENCIA: Para reducir el riesgo de lesiones, el usuario debe leer y comprender el manual del operador antes de usar este producto.

SAVE THIS MANUAL FOR FUTURE REFERENCE

CONSERVER CE MANUEL POUR FUTURE RÉFÉRENCE

GUARDE ESTE MANUAL PARA FUTURAS CONSULTAS

GENERAL POWER TOOL SAFETY WARNINGS



WARNING

Read all safety warnings and all instructions. Failure to follow the warnings and instructions may result in electric shock, fire and/or serious injury.

Save all warnings and instructions for future reference. The term “power tool” in the warnings refers to your mains-operated (corded) power tool or battery-operated (cordless) power tool.

WORK AREA SAFETY

- **Keep work area clean and well lit.** Cluttered or dark areas invite accidents.
- **Do not operate power tools in explosive atmospheres, such as in the presence of flammable liquids, gases or dust.** Power tools create sparks which may ignite the dust or fumes.
- **Keep children and bystanders away while operating a power tool.** Distractions can cause you to lose control.

ELECTRICAL SAFETY

- **Power tool plugs must match the outlet. Never modify the plug in any way. Do not use any adapter plugs with earthed (grounded) power tools.** Unmodified plugs and matching outlets will reduce risk of electric shock.
- **Avoid body contact with earthed or grounded surfaces such as pipes, radiators, ranges and refrigerators.** There is an increased risk of electric shock if your body is earthed or grounded.
- **Do not expose power tools to rain or wet conditions.** Water entering a power tool will increase the risk of electric shock.
- **Do not abuse the cord. Never use the cord for carrying, pulling or unplugging the power tool. Keep cord away from heat, oil, sharp edges or moving parts.** Damaged or entangled cords increase the risk of electric shock.
- **When operating a power tool outdoors, use an extension cord suitable for outdoor use.** Use of a cord suitable for outdoor use reduces the risk of electric shock.
- **If operating a power tool in a damp location is unavoidable, use a ground fault circuit interrupter (GFCI) protected supply.** Use of a GFCI reduces the risk of electric shock.
- **Use battery only with charger listed.** For use with 18V lithium-ion battery packs, see tool/appliance/battery pack/charger correlation supplement 987000-432.

PERSONAL SAFETY

- **Stay alert, watch what you are doing and use common sense when operating a power tool. Do not use a power tool while you are tired or under the influence of drugs, alcohol or medication.** A moment of inattention while operating power tools may result in serious personal injury.

- **Use personal protective equipment. Always wear eye protection.** Protective equipment such as dust mask, non-skid safety shoes, hard hat, or hearing protection used for appropriate conditions will reduce personal injuries.
- **Prevent unintentional starting. Ensure the switch is in the off-position before connecting to power source and/or battery pack, picking up or carrying the tool.** Carrying power tools with your finger on the switch or energising power tools that have the switch on invites accidents.
- **Remove any adjusting key or wrench before turning the power tool on.** A wrench or a key left attached to a rotating part of the power tool may result in personal injury.
- **Do not overreach. Keep proper footing and balance at all times.** This enables better control of the power tool in unexpected situations.
- **Dress properly. Do not wear loose clothing or jewellery. Keep your hair, clothing and gloves away from moving parts.** Loose clothes, jewellery or long hair can be caught in moving parts.
- **If devices are provided for the connection of dust extraction and collection facilities, ensure these are connected and properly used.** Use of dust collection can reduce dust-related hazards.
- **Do not wear loose clothing or jewelry. Contain long hair.** Loose clothes, jewelry, or long hair can be drawn into air vents.
- **Do not use on a ladder or unstable support.** Stable footing on a solid surface enables better control of the power tool in unexpected situations.

POWER TOOL USE AND CARE

- **Do not force the power tool. Use the correct power tool for your application.** The correct power tool will do the job better and safer at the rate for which it was designed.
- **Do not use the power tool if the switch does not turn it on and off.** Any power tool that cannot be controlled with the switch is dangerous and must be repaired.
- **Disconnect the plug from the power source and/or the battery pack from the power tool before making any adjustments, changing accessories, or storing power tools.** Such preventive safety measures reduce the risk of starting the power tool accidentally.
- **Store idle power tools out of the reach of children and do not allow persons unfamiliar with the power tool or these instructions to operate the power tool.** Power tools are dangerous in the hands of untrained users.
- **Maintain power tools. Check for misalignment or binding of moving parts, breakage of parts and any other condition that may affect the power tool's operation. If damaged, have the power tool repaired before use.** Many accidents are caused by poorly maintained power tools.

GENERAL POWER TOOL SAFETY WARNINGS

- **Keep cutting tools sharp and clean.** Properly maintained cutting tools with sharp cutting edges are less likely to bind and are easier to control.
- **Use the power tool, accessories and tool bits etc. in accordance with these instructions, taking into account the working conditions and the work to be performed.** Use of the power tool for operations different from those intended could result in a hazardous situation.

BATTERY TOOL USE AND CARE

- **Recharge only with the charger specified by the manufacturer.** A charger that is suitable for one type of battery pack may create a risk of fire when used with another battery pack.
- **Use power tools only with specifically designated battery packs.** Use of any other battery packs may create a risk of injury and fire.
- **When battery pack is not in use, keep it away from other metal objects, like paper clips, coins, keys, nails,**

screws or other small metal objects, that can make a connection from one terminal to another. Shorting the battery terminals together may cause burns or a fire.

- **Under abusive conditions, liquid may be ejected from the battery; avoid contact. If contact accidentally occurs, flush with water. If liquid contacts eyes, additionally seek medical help.** Liquid ejected from the battery may cause irritation or burns.

SERVICE

- **Have your power tool serviced by a qualified repair person using only identical replacement parts.** This will ensure that the safety of the power tool is maintained.
- **When servicing a power tool, use only identical replacement parts. Follow instructions in the Maintenance section of this manual.** Use of unauthorized parts or failure to follow Maintenance instructions may create a risk of shock or injury.

CIRCULAR SAW SAFETY WARNINGS

CUTTING PROCEDURES

DANGER:

Keep hands away from cutting area and the blade. Keep your second hand on auxiliary handle, or motor housing. If both hands are holding the saw, they cannot be cut by the blade.

- **Do not reach underneath the workpiece.** The guard can not protect you from the blade below the workpiece.
- **Adjust the cutting depth to the thickness of the workpiece.** Less than a full tooth of the blade teeth should be visible below the workpiece.
- **Never hold piece being cut in your hands or across your leg. Secure the workpiece to a stable platform.** It is important to support the work properly to minimize body exposure, blade binding, or loss of control.
- **Hold the power tool by insulated gripping surfaces only, when performing an operation where the cutting tool may contact hidden wiring.** Contact with a “live” wire will also make exposed metal parts of the power tool “live” and could give the operator an electric shock.
- **When ripping, always use a rip fence or straight edge guide.** This improves the accuracy of cut and reduces the chance of blade binding.
- **Always use blades with correct size and shape (diamond versus round) of arbour holes.** Blades that do not match the mounting hardware of the saw will run eccentrically, causing loss of control.

- **Never use damaged or incorrect blade washers or bolt.** The blade washers and bolt were specially designed for your saw, for optimum performance and safety of operation.

KICKBACK CAUSES AND RELATED WARNINGS

- Kickback is a sudden reaction to a pinched, bound or misaligned saw blade, causing an uncontrolled saw to lift up and out of the workpiece toward the operator;
- When the blade is pinched or bound tightly by the kerf closing down, the blade stalls and the motor reaction drives the unit rapidly back toward the operator;
- If the blade becomes twisted or misaligned in the cut, the teeth at the back edge of the blade can dig into the top surface of the wood causing the blade to climb out of the kerf and jump back toward the operator.

Kickback is the result of saw misuse and/or incorrect operating procedures or conditions and can be avoided by taking proper precautions as given below:

- **Maintain a firm grip with both hands on the saw and position your arms to resist kickback forces. Position your body to either side of the blade, but not in line with the blade.** Kickback could cause the saw to jump backwards, but kickback forces can be controlled by the operator, if proper precautions are taken.
- **When blade is binding, or when interrupting a cut for any reason, release the trigger and hold the saw motionless in the material until the blade comes to a**

CIRCULAR SAW SAFETY WARNINGS

complete stop. Never attempt to remove the saw from the work or pull the saw backward while the blade is in motion or kickback may occur. Investigate and take corrective actions to eliminate the cause of blade binding.

- **When restarting a saw in the workpiece, centre the saw blade in the kerf and check that saw teeth are not engaged into the material.** If saw blade is binding, it may walk up or kickback from the workpiece as the saw is restarted.
- **Support large panels to minimise the risk of blade pinching and kickback.** Large panels tend to sag under their own weight. Supports must be placed under the panel on both sides, near the line of cut and near the edge of the panel.
- **Do not use dull or damaged blades.** Unsharpened or improperly set blades produce narrow kerf causing excessive friction, blade binding and kickback.
- **Blade depth and bevel adjusting locking levers must be tight and secure before making cut.** If blade adjustment shifts while cutting, it may cause binding and kickback.
- **Use extra caution when sawing into existing walls or other blind areas.** The protruding blade may cut objects that can cause kickback.

LOWER GUARD FUNCTION




- **Check lower guard for proper closing before each use. Do not operate the saw if lower guard does not move freely and close instantly. Never clamp or tie the lower guard into the open position.** If saw is accidentally dropped, lower guard may be bent. Raise the lower guard with the retracting handle and make sure it moves freely and does not touch the blade or any other part, in all angles and depths of cut.
- **Check the operation of the lower guard spring. If the guard and the spring are not operating properly, they must be serviced before use.** Lower guard may operate sluggishly due to damaged parts, gummy deposits, or a build-up of debris.
- **Lower guard should be retracted manually only for special cuts such as “plunge cuts” and “compound cuts.” Raise lower guard by retracting handle and as soon as blade enters the material, the lower guard must be released.** For all other sawing, the lower guard should operate automatically.
- **Always observe that the lower guard is covering the blade before placing saw down on bench or floor.** An unprotected, coasting blade will cause the saw to walk backwards, cutting whatever is in its path. Be aware of the time it takes for the blade to stop after switch is released.

ADDITIONAL SAFETY WARNINGS








- **Use clamps or other practical way to secure and support the workpiece to a stable platform.** Holding the work by hand or against your body is unstable and may lead to loss of control.
- **Always wear eye protection with side shields marked to comply with ANSI Z87.1 when assembling parts, operating the tool, or performing maintenance.** Following this rule will reduce the risk of serious personal injury.
- **Protect your lungs. Wear a face or dust mask if the operation is dusty.** Following this rule will reduce the risk of serious personal injury.
- **Protect your hearing. Wear hearing protection during extended periods of operation.** Following this rule will reduce the risk of serious personal injury.
- **Battery tools do not have to be plugged into an electrical outlet; therefore, they are always in operating condition. Be aware of possible hazards when not using your battery tool or when changing accessories.** Following this rule will reduce the risk of electric shock, fire, or serious personal injury.
- **Do not place battery tools or their batteries near fire or heat.** This will reduce the risk of explosion and possibly injury.
- **Do not crush, drop or damage battery pack. Do not use a battery pack or charger that has been dropped or received a sharp blow.** A damaged battery is subject to explosion. Properly dispose of a dropped or damaged battery immediately.
- **Batteries can explode in the presence of a source of ignition, such as a pilot light.** To reduce the risk of serious personal injury, never use any cordless product in the presence of open flame. An exploded battery can propel debris and chemicals. If exposed, flush with water immediately.
- **Do not charge battery tool in a damp or wet location.** Following this rule will reduce the risk of electric shock.
- **For best results, your battery tool should be charged in a location where the temperature is more than 50°F but less than 100°F.** To reduce the risk of serious personal injury, do not store outside or in vehicles.
- **Under extreme usage or temperature conditions, battery leakage may occur. If liquid comes in contact with your skin, wash immediately with soap and water. If liquid gets into your eyes, flush them with clean water for at least 10 minutes, then seek immediate medical attention.** Following this rule will reduce the risk of serious personal injury.
- **Save these instructions.** Refer to them frequently and use them to instruct others who may use this tool. If you loan someone this tool, loan them these instructions also.

SYMBOLS

The following signal words and meanings are intended to explain the levels of risk associated with this product.

SYMBOL	SIGNAL	MEANING
	DANGER:	Indicates a hazardous situation, which, if not avoided, will result in death or serious injury.
	WARNING:	Indicates a hazardous situation, which, if not avoided, could result in death or serious injury.
	CAUTION:	Indicates a hazardous situation, that, if not avoided, may result in minor or moderate injury.
	NOTICE:	(Without Safety Alert Symbol) Indicates information considered important, but not related to a potential injury (e.g. messages relating to property damage).

Some of the following symbols may be used on this product. Please study them and learn their meaning. Proper interpretation of these symbols will allow you to operate the product better and safer.

SYMBOL	NAME	DESIGNATION/EXPLANATION
	Safety Alert	Indicates a potential personal injury hazard.
	Read Operator's Manual	To reduce the risk of injury, user must read and understand operator's manual before using this product.
	Eye Protection	Always wear eye protection with side shields marked to comply with ANSI Z87.1.
	Wet Conditions Alert	Do not expose to rain or use in damp locations.
	No Hands Symbol	Failure to keep your hands away from the blade will result in serious personal injury.
	Recycle Symbol	This product uses lithium-ion (Li-ion) batteries. Local, state or federal laws may prohibit disposal of batteries in ordinary trash. Consult your local waste authority for information regarding available recycling and/or disposal options.
	Direct Current	Type or a characteristic of current
n_0	No Load Speed	Rotational speed, at no load
.../min	Per Minute	Revolutions, strokes, surface speed, orbits etc., per minute
V	Volts	Voltage
min	Minutes	Time

FEATURES

PRODUCT SPECIFICATIONS

Motor	18 V DC	Cutting Depth at 0°	2-7/16 in.
Blade Diameter	7-1/4 in.	Cutting Depth at 45°	1-13/16 in.
Blade Arbor	5/8 in.	No Load Speed	3,800 r/min. (RPM)

ASSEMBLY

UNPACKING

This product requires assembly.

- Carefully remove the product and any accessories from the box. All items listed in the **Includes** section must be included at the time of purchase.

WARNING:

Items in this *Assembly* section are not assembled to the product by the manufacturer and require customer installation. Use of a product that may have been improperly assembled could result in serious personal injury.

- Inspect the product carefully to make sure no breakage or damage occurred during shipping.
- Do not discard the packing material until you have carefully inspected and satisfactorily operated the product.
- If any parts are damaged or missing, please call 1-800-525-2579 for assistance. In Mexico, please call 01-800-843-1111.

WARNING:

If any parts are damaged or missing do not operate this product until the parts are replaced. Use of this product with damaged or missing parts could result in serious personal injury.

WARNING:

Do not attempt to modify this product or create accessories not recommended for use with this product. Any such alteration or modification is misuse and could result in a hazardous condition leading to possible serious personal injury.

WARNING:

To prevent accidental starting that could cause serious personal injury, always remove the battery pack from the product when assembling parts.

ATTACHING THE BLADE

See Figure 1, page 13.

WARNING:

A 7-1/4 in. blade is the maximum blade capacity of the saw. Never use a blade that is too thick to allow outer blade washer to engage with the flats on the spindle. Larger blades will come in contact with the blade guard, while thicker blades will prevent blade screw from securing blade on spindle. Either of these situations could result in a serious accident.

- Remove the battery pack from the saw.
- Remove the blade wrench (6 mm hex key) from the storage area.
- Depress the spindle lock button and remove the blade screw and outer blade washer.

NOTE: Turn the blade screw clockwise to remove.

NOTICE:

To prevent damage to the spindle or spindle lock, always allow motor to come to a complete stop before engaging spindle lock.

NOTE: Do not run the circular saw with spindle lock engaged.

- Wipe a drop of oil onto the inner blade washer and outer blade washer where they contact the blade.

WARNING:

If inner blade washer has been removed, replace it before placing blade on spindle. Failure to do so could cause an accident since blade will not tighten properly.

ASSEMBLY

- Fit the saw blade inside the lower blade guard and onto the spindle.

NOTE: The saw teeth point upward at the front of the saw.

- Replace the outer blade washer.
- Depress the spindle lock button, then replace the blade screw. Tighten the blade screw securely by turning it counterclockwise.
- Return the blade wrench to the storage area.

NOTE: Never use a blade that is too thick to allow the outer blade washer to engage with the flats on the spindle.

REMOVING THE BLADE

See Figure 2, page 13.

- Remove the battery pack from the saw.
- Remove the blade wrench from the storage area.
- Position the saw as shown, depress the spindle lock button, and remove the blade screw by turning it clockwise.
- Remove the outer blade washer.
- Remove the blade.

OPERATION

WARNING:

Do not allow familiarity with products to make you careless. Remember that a careless fraction of a second is sufficient to inflict serious injury.

WARNING:

Always wear eye protection with side shields marked to comply with ANSI Z87.1. Failure to do so could result in objects being thrown into your eyes resulting in possible serious injury.

WARNING:

Do not use any attachments or accessories not recommended by the manufacturer of this product. The use of attachments or accessories not recommended can result in serious personal injury.

WARNING:

Never use abrasive cut-off wheels of any kind with this saw. Use of non wood cutting blades can result in property damage or serious personal injury.

APPLICATIONS

You may use this product for the purposes listed below:

- Cutting all types of wood products (lumber, plywood, paneling, composition board, and hard wood)

INSTALLING/REMOVING BATTERY PACK

See Figure 3, page 13.

- Insert the battery pack into the product as shown.
- Make sure the latches on each side of the battery pack snap in place and that battery pack is secured in the product before beginning operation.
- Depress the latches to remove the battery pack.

For complete charging instructions, see the operator's manuals for your battery pack and charger.

WARNING:

Battery tools are always in operating condition. Therefore, switch should always be locked when not in use or carrying at your side.

KICKBACK

See Figures 4 - 7, page 14.

Kickback occurs when the blade stalls rapidly and the saw is driven back towards you. Blade stalling is caused by any action which pinches the blade in the wood.

DANGER:

Release switch immediately if blade binds or saw stalls. Kickback could cause you to lose control of the saw. Loss of control can lead to serious injury.

OPERATION

To guard against kickback, avoid dangerous practices such as the following:

- Setting blade depth incorrectly.
- Sawing into knots or nails in workpiece.
- Twisting the blade while making a cut.
- Making a cut with a dull, gummed up, or improperly set blade.
- Supporting the workpiece incorrectly.
- Forcing a cut.
- Cutting warped or wet lumber.
- Operating the tool incorrectly or misusing the tool.

To lessen the chance of kickback, follow these safety practices:

- Keep the blade at the correct depth setting. The depth setting should not exceed 1/4 in. below the material being cut.
- Inspect the workpiece for knots or nails before cutting. Never saw into a knot or nail.
- Make straight cuts. Always use a straight edge guide when rip cutting. This helps prevent twisting the blade.
- Use clean, sharp, and properly set blades. Never make cuts with dull blades.
- Support the workpiece properly before beginning a cut.
- Use steady, even pressure when making a cut. Never force a cut.
- Do not cut warped or wet lumber.
- Hold the saw firmly with both hands and keep your body in a balanced position so as to resist the forces if kickback should occur.

WARNING:

When using the saw, always stay alert and exercise control. Do not remove the saw from the workpiece while the blade is moving.

SAW BLADES

The best of saw blades will not cut efficiently if they are not kept clean, sharp, and properly set. Using a dull blade will place a heavy load on the saw and increase the danger of kickback. Keep extra blades on hand, so that sharp blades are always available.

Gum and wood pitch hardened on blades will slow the saw down. Remove saw blade from the saw and use gum and pitch remover, hot water, or kerosene to remove these accumulations. **DO NOT USE GASOLINE.**

BLADE GUARD SYSTEM

See Figure 8, page 14.

The lower blade guard attached to the circular saw is there for your protection and safety. Do not alter it for any reason. If it becomes damaged, do not operate the saw until you have the guard repaired or replaced. Always leave guard in operating position when using the saw.

DANGER:

When sawing through work, lower blade guard does not cover blade on the underside of work. Since blade is exposed on underside of work, keep hands and fingers away from cutting area. Any part of your body coming in contact with moving blade will result in serious injury.

CAUTION:

Never use saw when guard is not operating correctly. Check the guard for correct operation before each use. The guard is operating correctly when it moves freely and readily returns to the closed position. If you drop the saw, check the lower blade guard and bumper for damage at all depth settings before reuse.

STARTING/STOPPING THE SAW

See Figure 9, page 14.

This saw is equipped with a worklight that will turn on when the trigger is depressed and will turn off when the trigger is released.

To start the saw:

- Depress the lock-off button.
- Depress the switch trigger.

Always let the blade reach full speed, then guide the saw into the workpiece.

WARNING:

The blade coming in contact with the workpiece before it reaches full speed could cause the saw to “kickback” towards you resulting in serious injury.

To stop the saw: release the switch trigger.

After you release the switch trigger, allow the blade to come to a complete stop. **Do not remove the saw from the workpiece while the blade is moving.**

OPERATION

LOCK-OFF BUTTON

See Figure 9, page 14.

The lock-off button reduces the possibility of accidental starting. The lock-off button is located on the handle above the switch trigger. The lock-off button must be depressed before you pull the switch trigger. The lock resets each time the trigger is released.

NOTE: You can depress the lock-off button from either the left or right side.

ADJUSTING BLADE DEPTH

See Figure 10, page 14.

Always keep correct blade depth setting. The correct blade depth setting for all cuts should not exceed 1/4 in. below the material being cut. More blade depth will increase the chance of kickback and cause the cut to be rough. For more depth of cut accuracy, a scale is located on the upper blade guard.

- Loosen the depth lock lever by lifting it upward away from the base.
- Determine the desired depth of cut.
- Locate the depth of cut scale on the back of the upper blade guard.
- Hold the base flat against the workpiece and raise or lower the saw until the indicator mark on bracket aligns with the notch on the blade guard.
- Tighten the depth lock lever securely by pushing it downward toward the base.

OPERATING THE SAW

See Figures 11 - 13, page 15.

It is important to understand the correct method for operating the saw. Refer to the figures in this section to learn the correct and incorrect ways for handling the saw.

DANGER:

When lifting the saw from the workpiece, the blade is exposed on the underside of the saw until the lower blade guard closes. Make sure the lower blade guard is closed before setting the saw down.

WARNING:

To make sawing easier and safer, always maintain proper control of the saw. Loss of control could cause an accident resulting in possible serious injury.

To make the best possible cut, follow these helpful hints.

- Hold the saw firmly with both hands.
- Avoid placing your hand on the workpiece while making a cut.

- Support the workpiece so that the cut (kerf) is always to your side.
- Support the workpiece near the cut.
- Use clamps or other practical ways to secure the workpiece so that the workpiece will not move during the cut.
- Always place the saw on the workpiece that is supported, not the “cut off” piece.
- Place the workpiece with the “good” side down.
- Draw a guideline along the desired line of cut before beginning your cut.

CROSS CUTTING/RIP CUTTING

See Figure 14, page 15.

When making a straight cross cut or rip cut, align the line of cut with the 0° blade guide notch on the base.

Since blade thicknesses vary, always make a trial cut in scrap material along a guideline to determine how much, if any, you must offset the guideline to produce an accurate cut.

NOTE: The distance from the line of cut to the guideline is the amount you should offset the guide.

RIP CUTTING

See Figure 15, page 15.

Use a guide when making long or wide rip cuts with the saw.

- Secure the workpiece.
- Clamp a straight edge to the workpiece using C-clamps.
- Saw along the straight edge to achieve a straight rip cut.

NOTE: Do not bind the blade in the cut.

WIDTH OF CUT SCALE

See Figure 16, page 15.

A width of cut scale is located on the base of the saw. When making straight cross cuts or rip cuts, the scale can be used to measure up to 4-1/2 in. on the right side of the blade, and up to 1 in. on the left side of the blade.

BEVEL CUTTING

See Figures 17 - 18, pages 15 - 16.

- Adjust the angle of the cut to any desired setting between zero and 56°. Refer to **Adjusting the Bevel Setting** next.
- If making a 45° bevel cut, align the line of cut with the 45° blade guide notch on the base.
- Make a trial cut in scrap material along a guideline to determine how much you should offset the guideline on the cutting material.

OPERATION

ADJUSTING THE BEVEL SETTING

See Figure 18, page 16.

- Loosen the bevel lock knob.
- Raise the motor housing end of the saw until you reach the desired angle setting on the bevel scale.
- Tighten the bevel lock knob securely.

WARNING:

Attempting a bevel cut without having the bevel lock knob securely tightened can result in serious injury.

NOTE: For bevel cuts 56° and above, move the bevel lock knob into the notch at the 56° mark on the bevel scale, and tighten the knob securely.

MAKING A BEVEL CUT

See Figure 18, page 16.

- Hold the saw firmly with both hands as shown.
- Rest the front edge of the base on the workpiece.
- Start the saw and let the blade reach full speed.
- Guide the saw into the workpiece and make the cut.
- Release the trigger and allow the blade to come to a complete stop.
- Lift the saw from the workpiece.

POCKET CUTTING

See Figure 19, page 16.

WARNING:

Always adjust bevel setting to zero before making a pocket cut. Attempting a pocket cut at any other setting can result in loss of control of the saw possibly causing serious injury.

- Adjust the bevel setting to zero.
- Set the blade to the correct blade depth setting.
- Swing the lower blade guard up using the lower blade guard handle.
NOTE: Always raise the lower blade guard with the handle to avoid serious injury.
- Hold the lower blade guard by the handle.

WARNING:

Never extend your fingers while holding the lower blade guard handle. Extending your fingers may result in contact with the blade, causing serious injury.

- Rest the front of the base flat against the workpiece with the rear of the handle raised so the blade does not touch the workpiece.
- Start the saw and let the blade reach full speed.
- Guide the saw into the workpiece and make the cut.

WARNING:

Always cut in a forward direction when pocket cutting. Cutting in the reverse direction could cause the saw to climb up on the workpiece and back toward you.

- Release the trigger and allow the blade to come to a complete stop.
- Lift the saw from the workpiece.
- Clear corners out with a hand saw or sabre saw.

WARNING:

Never tie the lower blade guard in a raised position. Leaving the blade exposed could lead to serious injury.

ADJUSTMENTS

WARNING:

To prevent accidental starting that could cause serious personal injury, always remove the battery pack from the product when making adjustments.

CHECKING 0° BEVEL STOP

- Remove battery pack.
- Place the saw in an upside down position on a workbench.
- Check the squareness of the saw blade plate to the base of the saw using a carpenter's square.

0° BEVEL STOP

See Figure 20, page 16.

The saw has a 0° bevel stop that has been factory adjusted to assure 0° angle of the saw blade plate when making 90° cuts.

ADJUSTMENTS

ADJUSTING 0° BEVEL STOP

- Remove battery pack.
- Loosen bevel lock knob.
- Loosen hex nut securing adjusting screw.
- Turn adjusting screw and adjust base until square with saw blade.
- Tighten hex nut and bevel lock knob securely.

WARNING:

Attempting a bevel cut without having the bevel lock knob securely tightened can result in serious injury.

ADJUSTING THE DEPTH LOCK LEVER

See Figure 21, page 16.

Over time, due to wear, the depth lock lever may move from its original setting. If the lever prematurely contacts any part of the saw during tightening and loosening, adjust the lever by following these steps:

- Remove the battery pack.
- Pull depth lock lever upward away from the base to release.
- Pull saw base down to the minimum depth of cut position, then push the depth lock lever down toward the base to secure.
- Insert a flathead screwdriver into the space between the lock nut and the E-ring. Remove the E-ring.
- Note the position of the lever on the nut. Slide the depth lock lever off the hex portion of the lock nut.
- Rotate the depth lock lever one “flat” clockwise around the nut. Then slide it back into place on the hex portion.
- Push the E-ring back into the groove on the lock nut until it snaps into place. Take care that the E-ring does not pop off the lock nut.
- Loosen the depth lock lever and return the base to the full depth of cut position and lock the depth setting by pushing downward on the depth lock lever. The base should be locked securely in position when locked and be free to move when released.

MAINTENANCE

WARNING:

When servicing, use only identical replacement parts. Use of any other parts may create a hazard or cause product damage.

WARNING:

Always wear eye protection with side shields marked to comply with ANSI Z87.1. Failure to do so could result in objects being thrown into your eyes resulting in possible serious injury.

WARNING:

To avoid serious personal injury, always remove the battery pack from the product when cleaning or performing any maintenance.

GENERAL MAINTENANCE

Avoid using solvents when cleaning plastic parts. Most plastics are susceptible to damage from various types of commercial solvents and may be damaged by their use. Use clean cloths to remove dirt, dust, oil, grease, etc.

WARNING:

Do not at any time let brake fluids, gasoline, petroleum-based products, penetrating oils, etc., come in contact with plastic parts. Chemicals can damage, weaken or destroy plastic which may result in serious personal injury.

ACCESSORIES

Look for these accessories where you purchased this product or call 1-800-525-2579:

- 7-1/4 in. Thin Kerf Blade.....682130001
- Edge Guide Kit.....204585001



WARNING:

Current attachments and accessories available for use with this product are listed above. Do not use any attachments or accessories not recommended by the manufacturer of this product. The use of attachments or accessories not recommended can result in serious personal injury.

**NOTE: ILLUSTRATIONS START ON PAGE 13 AFTER
FRENCH AND SPANISH LANGUAGE SECTIONS.**

AVERTISSEMENTS DE SÉCURITÉ RELATIVES AUX OUTILS ÉLECTRIQUES

AVERTISSEMENT

Lire tous les avertissements et toutes les instructions. Ne pas suivre l'ensemble des avertissements et des instructions peut entraîner une électrocution, un incendie ou des blessures graves.

Conserver les avertissements et les instructions à des fins de référence ultérieure. Le terme « outil motorisé », utilisé dans tous les avertissements ci-dessous désigne tout outil fonctionnant sur secteur (câblé) ou sur piles (sans fil).

SÉCURITÉ DU LIEU DE TRAVAIL

- **Garder le lieu de travail propre et bien éclairé.** Les endroits encombrés ou sombres sont propices aux accidents.
- **Ne pas utiliser d'outils électriques dans des atmosphères explosives, par exemple en présence de liquides, gaz ou poussières inflammables.** Les outils électriques produisent des étincelles risquant d'enflammer les poussières ou vapeurs.
- **Garder les enfants et badauds à l'écart pendant l'utilisation d'un outil électrique.** Les distractions peuvent causer une perte de contrôle.

SÉCURITÉ ÉLECTRIQUE

- **Les fiches des outils électriques doivent correspondre à la prise secteur utilisée. Ne jamais modifier la fiche, de quelque façon que ce soit. Ne jamais utiliser d'adaptateurs de fiche avec des outils mis à la terre.** Les fiches et prises non modifiées réduisent le risque de choc électrique.
- **Éviter tout contact du corps avec des surfaces mises à la terre, telles que tuyaux, radiateurs, cuisinières et réfrigérateurs.** Le risque de choc électrique est accru lorsque le corps est mis à la terre.
- **Ne pas exposer les outils électriques à l'eau ou l'humidité.** La pénétration d'eau dans ces outils accroît le risque de choc électrique.
- **Ne pas maltraiter le cordon d'alimentation. Ne jamais utiliser le cordon d'alimentation pour transporter l'outil et ne jamais débrancher ce dernier en tirant sur le cordon.** Garder le cordon à l'écart de la chaleur, de l'huile, des objets tranchants et des pièces en mouvement. Un cordon endommagé ou emmêlé accroît le risque de choc électrique.
- **Pour les travaux à l'extérieur, utiliser un cordon spécialement conçu à cet effet.** Utiliser un cordon conçu pour l'usage extérieur pour réduire les risques de choc électrique.
- **S'il est nécessaire d'utiliser l'outil électrique dans un endroit humide, employer un dispositif interrupteur de défaut à la terre (GFCI).** L'utilisation d'un GFCI réduit le risque de décharge électrique.
- **Ne recharger les piles qu'avec l'appareil indiqué.** Pour utiliser l'appareil avec des piles au lithium-ion de 18 V, consulter le supplément de raccordement pour chargeur/outils/piles/appareil n° 987000-432.

SÉCURITÉ PERSONNELLE

- **Rester attentif, prêter attention au travail et faire preuve de bon sens lors de l'utilisation de tout outil électrique. Ne pas utiliser cet outil en état de fatigue ou sous l'influence de l'alcool, de drogues ou de médicaments.** Un moment

d'inattention pendant l'utilisation d'un outil électrique peut entraîner des blessures graves.

- **Utiliser l'équipement de sécurité. Toujours porter une protection oculaire.** L'équipement de sécurité, tel qu'un masque filtrant, de chaussures de sécurité, d'un casque ou d'une protection auditive, utilisé dans des conditions appropriées réduira le risque de blessures.
- **Éviter les démarrages accidentels. S'assurer que le commutateur est en position d'arrêt avant de brancher l'outil.** Porter un outil avec le doigt sur son commutateur ou brancher un outil dont le commutateur est en position de marche peut causer un accident.
- **Retirer les clés de réglage avant de mettre l'outil en marche.** Une clé laissée sur une pièce rotative de l'outil peut causer des blessures.
- **Ne pas travailler hors de portée. Toujours se tenir bien campé et en équilibre.** Ceci permettra de mieux contrôler l'outil en cas de situation imprévue.
- **Porter une tenue appropriée. Ne porter ni vêtements amples, ni bijoux. Garder les cheveux, les vêtements et les gants à l'écart des pièces en mouvement.** Les vêtements amples, bijoux et cheveux longs peuvent se prendre dans les pièces en mouvement.
- **Si les outils sont équipés de dispositifs de dépoussiérage, s'assurer qu'ils sont connectés et correctement utilisés.** L'usage de ces dispositifs de dépoussiérage peut réduire les dangers présentés par la poussière.
- **Ne porter ni vêtements amples, ni bijoux. Attacher ou couvrir les cheveux longs.** Les vêtements amples, bijoux et cheveux longs peuvent se prendre dans les ouïes d'aération.
- **Ne pas utiliser l'outil sur une échelle ou un support instable.** Une bonne tenue et un bon équilibre permettent de mieux contrôler l'outil en cas de situation imprévue.

UTILISATION ET ENTRETIEN DES OUTILS ÉLECTRIQUES

- **Ne pas forcer l'outil. Utiliser l'outil approprié pour l'application.** Un outil approprié exécutera le travail mieux et de façon moins dangereuse s'il est utilisé dans les limites prévues.
- **Ne pas utiliser l'outil si le commutateur ne permet pas de le mettre en marche ou de l'arrêter.** Tout outil qui ne peut pas être contrôlé par son commutateur est dangereux et doit être réparé.
- **Débrancher l'outil et/ou retirer le bloc-piles avant d'effectuer des réglages, de changer d'accessoire ou de remiser l'outil.** Ces mesures de sécurité préventives réduisent les risques de démarrage accidentel de l'outil.
- **Ranger les outils motorisés hors de la portée des enfants et ne laisser personne n'étant pas familiarisé avec l'outil ou ces instructions utiliser l'outil.** Dans les mains de personnes n'ayant pas reçu des instructions adéquates, les outils sont dangereux.
- **Entretien des outils motorisés. Vérifier qu'aucune pièce mobile n'est mal alignée ou bloquée, qu'aucune pièce n'est brisée et s'assurer qu'aucun autre problème ne risque d'affecter le bon fonctionnement de l'outil. En cas de dommages faire réparer l'outil avant de l'utiliser de nouveau.** Beaucoup d'accidents sont causés par des outils mal entretenus.

AVERTISSEMENTS DE SÉCURITÉ GÉNÉRALES RELATIVES AUX OUTILS ÉLECTRIQUES

- **Garder les outils bien affûtés et propres.** Des outils correctement entretenus et dont les tranchants sont bien affûtés risquent moins de se bloquer et sont plus faciles à contrôler.
- **Utiliser l'outil, les accessoires et embouts, etc. conformément à ces instructions pour les applications pour lesquelles ils sont conçus, en tenant compte des conditions et du type de travail à exécuter.** L'usage d'un outil motorisé pour des applications pour lesquelles il n'est pas conçu peut être dangereux.

UTILISATION ET ENTRETIEN DE LA PILE

- **Ne recharger qu'avec l'appareil spécifié par le fabricant.** Un chargeur approprié pour un type de pile peut créer un risque d'incendie s'il est utilisé avec un autre type de pile.
- **Utiliser exclusivement le bloc-pile spécifiquement indiqué pour l'outil.** L'usage de tout autre bloc peut créer un risque de blessures et d'incendie.
- **Lorsque le bloc-piles n'est pas en usage, le garder à l'écart d'articles tels qu'attaches trombones, pièces de monnaie, clous, vis ou autres petits objets métalliques risquant**

d'établir le contact entre les deux bornes. La mise en court-circuit des bornes de piles peut causer des étincelles, des brûlures ou un incendie.

- **En cas d'usage abusif, du liquide peut s'échapper des piles. Éviter tout contact avec ce liquide. En cas de contact accidentel, rincer immédiatement les parties atteintes avec de l'eau. En cas d'éclaboussure dans les yeux consulter un médecin.** Le liquide s'échappant des piles peut causer des irritations ou des brûlures.

DÉPANNAGE

- **Les réparations doivent être confiées à un technicien qualifié, utilisant exclusivement des pièces identiques à celles d'origine.** Ceci assurera le maintien de la sécurité de l'outil.
- **Utiliser exclusivement des pièces identiques à celles d'origine pour les réparations. Se conformer aux instructions de la section Entretien de ce manuel.** L'usage de pièces non autorisées ou le non-respect des instructions peut présenter des risques de choc électrique ou de blessures.

AVERTISSEMENTS DE SÉCURITÉ RELATIVES SCIE CIRCULAIRE

MÉTHODE DE COUPE

DANGER :

Garder les mains à l'écart de la zone de coupe et de la lame. Garder la deuxième main sur la poignée auxiliaire ou le boîtier du moteur. Lorsque les mains sont utilisées pour tenir la scie, elle ne risquent pas d'être coupées par la lame.

- **Ne pas passer les mains au-dessous de la pièce à couper.** La garde de lame n'offre aucune protection au-dessous de la pièce à couper.
- **Ajuster la profondeur de coupe en fonction de l'épaisseur de la pièce à travailler.** Sous la pièce à travailler, on devrait pouvoir distinguer moins d'une dent entière parmi celles de la lame.
- **Ne jamais tenir une pièce en train d'être coupée à la main ou posée sur la jambe. Immobiliser la pièce à travailler sur une surface stable.** Il est essentiel de soutenir correctement la pièce à couper pour éviter les risques de coupure, de blocage de la lame et de perte du contrôle.
- **Tenir l'outil par ses surfaces de préhension isolées lors des opérations pendant lesquelles l'accessoire de coupe peut entrer en contact avec du câblage caché.** Le contact avec un fil sous tension « électrifie » les pièces métalliques exposées de l'outil, ce qui peut électrocuter l'utilisateur.
- **Pour la refente, toujours utiliser un guide longitudinal ou une règle.** Ceci accroît la précision de la coupe et réduit le risque de blocage de la lame.
- **Toujours utiliser des lames dont l'alésage central est de dimension et de forme adéquates (ruban à tranchant au**

diamant ou lame ronde). Une lame incompatible avec la quincaillerie de montage de la scie tournerait en faux rond, causant la perte du contrôle.

- **Ne jamais utiliser de rondelles ou boulon de lame incorrects ou endommagés.** Les rondelles et boulon de lame fournis sont conçus spécialement pour assurer une efficacité et une sécurité maximum.

CAUSES DES EFFETS DE REBOND ET AUTRES AVERTISSEMENTS

- Le rebond est une réaction soudaine, causée par une lame coincée, bloquée ou mal alignée et projetant la scie hors de la pièce coupée vers le haut, en direction de l'opérateur;
- Lorsque la lame est pincée ou bloquée par la fermeture du trait de coupe, elle se bloque et la force du moteur projette la scie en direction de l'opérateur;
- Si la lame dévie dans le trait de coupe, les dents de l'arrière risquent de mordre la surface de la planche, causant la projection de la lame hors du bois, en direction de l'opérateur.

Une mauvaise utilisation de la scie peut entraîner un rebond et/ou des méthodes de travail incorrectes et il peut être évité en prenant les précautions suivantes :

- **Tenir fermement la scie avec les deux mains et positionner les bras de manière à pouvoir résister aux rebonds. Se tenir d'un côté de lame, et non dans la trajectoire de celle-ci.** Le rebond peut causer un recul brutal de la scie, mais s'il prend les précautions nécessaires, l'utilisateur peut contrôler la force du rebond.

AVERTISSEMENTS DE SÉCURITÉ RELATIFS SCIE CIRCULAIRE




- Si la lame se bloque ou si la coupe est interrompue pour une raison quelconque, relâcher la gâchette et maintenir la lame dans le trait de coupe jusqu'à ce qu'elle ait complètement cessé de tourner. Pour éviter un rebond, ne jamais essayer de retirer la scie de la pièce ou de la tirer en arrière pendant que la lame est en rotation. Déterminer et éliminer la cause du blocage de la lame.
- Avant de remettre la scie en marche en cours de coupe, centrer la lame dans le trait de scie et s'assurer que les dents ne mordent pas dans le bois. Si la lame est bloquée, elle peut causer un rebond et l'éjection du trait de coupe lorsque la scie est remise en marche.
- Soutenir les planches longues afin d'éviter les risques de pincement de la lame et de rebond. Les planches de grande taille ont tendance à ployer sous leur propre poids. Des supports doivent être placés sous la planche, de chaque côté, près du trait de coupe et du bord de la planche.
- Ne pas utiliser de lames émoussées ou endommagées. Une lame émoussée ou incorrectement réglée produit un trait de scie étroit, causant le pincement de la lame et le rebond.
- Les leviers de réglage de profondeur et d'angle de coupe doivent être fermement serrés et assujettis avant de commencer la coupe. Si la lame se dérègle en cours de coupe, elle peut se bloquer et causer un rebond.
- Soyez particulièrement prudent lors du sciage dans des murs existants ou dans d'autres endroits obscurs. La lame peut heurter des objets ou matériaux causant un rebond.

FONCTION DE L'ÉCRAN PROTECTEUR INFÉRIEUR








- Avant chaque utilisation, s'assurer que la garde inférieure se ferme correctement avant chaque utilisation. Ne pas utiliser la scie si la garde ne fonctionne pas librement ou ne se ferme pas instantanément. Ne jamais bloquer la garde inférieure en position ouverte. En cas de chute accidentelle de la scie, la garde inférieure peut se déformer. Relever la garde inférieure avec la poignée de rétraction et vérifier qu'elle fonctionne librement et ne touche ni la lame, ni aucune autre pièce, quelle que soit l'angle ou la profondeur de coupe.
 - Vérifier le fonctionnement du ressort de la garde inférieure. Tout problème de fonctionnement de la garde et du ressort doit être corrigé avant d'utiliser la scie. Des pièces endommagées, des résidus gommeux et les accumulations de débris peuvent ralentir le fonctionnement de la garde inférieure.
 - La garde doit être rétractée manuellement seulement pour des coupes spéciales comme des « coupes plongeantes » ou des « coupes combinées. » Relever le protège-lame avec la poignée de rétraction puis relâcher-le dès que la lame pénètre dans le matériau. La garde inférieure opérera automatiquement pour toutes les autres coupes.
 - Toujours s'assurer que la garde inférieure couvre la lame avant de poser la scie sur le sol ou un établi. Une lame non protégée tournant en roue libre causerait un mouvement en arrière de la scie, qui couperait tout ce qui se trouve sur son passage. Tenir compte du temps nécessaire à l'arrêt complet de la lame une fois que la gâchette est relâchée.
- ## RÈGLES SUPPLÉMENTAIRES DE SÉCURITÉ
- Utiliser des serre-joint ou un autre système approprié pour maintenir fermement la pièce sur une surface stable. Une pièce tenue à la main ou contre son corps est instable et peut causer une perte de contrôle.
 - Toujours porter une protection oculaire munie d'écrans latéraux certifiée conforme à la norme ANSI Z87.1 lors du montage des pièces, du fonctionnement de l'outil ou au moment de l'entretien. Le respect de cette consigne réduira les risques de blessures graves.
 - Protection respiratoire. Porter un masque facial ou un masque anti-poussière si le travail produit de la poussière. Le respect de cette consigne réduira les risques de blessures graves.
 - Protection auditive. Porter une protection auditive lors de l'utilisation prolongée. Le respect de cette règle réduira les risques de blessures graves.
 - Les outils fonctionnant sur bloc-piles n'ayant pas besoin d'être branchés sur une prise secteur, ils sont toujours en état de fonctionnement. Tenir compte des dangers possibles lorsque l'outil n'est pas en usage et lors du remplacement des bloc-piles. Le respect de cette règle réduira les risques d'incendie, de choc électrique et de blessures graves.
 - Ne pas placer les outils électriques sans fil ou leurs bloc-piles à proximité de flammes ou d'une source de chaleur. Ceci réduira les risques d'explosion et de blessures.
 - Ne pas écraser, faire tomber ou endommager le bloc-piles. Ne jamais utiliser un bloc-piles ou un chargeur qui est tombé, a été écrasé, a reçu un choc violent ou a été endommagé de quelque façon que ce soit. Une pile endommagée risque d'exploser. Éliminer immédiatement toute pile endommagée, selon une méthode appropriée.
 - Les piles peuvent exploser en présence d'une source d'allumage comme la veilleuse d'allumage. Pour réduire les risques de blessures graves, ne jamais utiliser un appareil sans fil, quel qu'il soit, en présence d'une flamme vive. En explosant, une bloc-pile peut projeter des débris et des produits chimiques. En cas d'exposition, rincer immédiatement les parties atteintes avec de l'eau.
 - Ne pas recharger un outil fonctionnant sur bloc-piles dans un endroit humide ou mouillé. Le respect de cette règle réduira les risques de choc électrique.
 - Pour obtenir de meilleurs résultats, il importe de charger l'outil dans un endroit où la température est de plus de 10 °C (50 °F) mais de moins de 37 °C (100 °F). Pour réduire les risques de blessures graves, ne pas entreposer l'outil à l'extérieur ou dans un véhicule.
 - Si l'outil est utilisé de façon intensive ou sous des températures extrêmes, une fuite de la pile peut se produire. Laver immédiatement tout liquide en contact avec la peau avec de l'eau et du savon. En cas d'éclaboussure dans les yeux, les rincer à l'eau fraîche pendant au moins 10 minutes, puis consulter immédiatement un médecin. Le respect de cette consigne réduira les risques de blessures graves.
 - Conserver ces instructions. Les consulter fréquemment et les utiliser pour instruire les autres utilisateurs éventuels. Si cet produit est prêté, il doit être accompagné de ces instructions.

SYMBOLES

Les termes de mise en garde suivants et leur signification ont pour but d'expliquer le degré de risques associé à l'utilisation de ce produit.

SYMBOLE	SIGNAL	SIGNIFICATION
	DANGER :	Indique une situation dangereuse qui, si elle n'est pas évitée, aura pour conséquences des blessures graves ou mortelles.
	AVERTISSEMENT :	Indique une situation dangereuse qui, si elle n'est pas évitée, pourrait entraîner des blessures graves ou mortelles.
	ATTENTION :	Indique une situation dangereuse qui, si elle n'est pas évitée, pourrait entraîner des blessures légères ou de gravité modérée.
	AVIS :	(Sans symbole d'alerte de sécurité) Indique les informations jugées importantes sans toutefois représenter un risque de blessure (ex. : messages concernant les dommages matériels).

Certains des symboles ci-dessous peuvent être utilisés sur produit. Veiller à les étudier et à apprendre leur signification. Une interprétation correcte de ces symboles permettra d'utiliser produit plus efficacement et de réduire les risques.

SYMBOLE	NOM	DÉSIGNATION / EXPLICATION
	Symbole d'alerte de sécurité	Indique un risque de blessure potentiel.
	Lire le manuel d'utilisation	Pour réduire les risques de blessures, l'utilisateur doit lire et veiller à bien comprendre le manuel d'utilisation avant d'utiliser ce produit.
	Protection oculaire	Toujours porter une protection oculaire avec écrans latéraux certifiée conforme à la norme ANSI Z87.1.
	Avertissement concernant l'humidité	Ne pas exposer à la pluie ou l'humidité.
	Symbole Mains à l'écart	Le non-respect de cette mise en garde peut entraîner des blessures graves.
	Symbole de recyclage	Ce produit utilise les piles de lithium-ion (Li-ion). Les réglementations locales ou gouvernementales peuvent interdire de jeter les piles dans les ordures ménagères. Consulter les autorités locales compétentes pour les options de recyclage et/ou l'élimination.
	Courant continu	Type ou caractéristique du courant
n_0	Vitesse à vide	Vitesse de rotation à vide
.../min	Par minute	Tours, coups, vitesse périphérique, orbites, etc., par minute
V	Volts	Tension
min	Minutes	Temps

CARACTÉRISTIQUES

FICHE TECHNIQUE

Moteur 18 V C.C.
Diamètre de la lame..... 184 mm (7-1/4 po)
Axe de lame..... 15,9 mm (5/8 po)

Profondeur de coupe à 0° 61,9 mm (2-7/16 po)
Profondeur de coupe à 45° 46 mm (1-13/16 po)
Vitesse à vide 3 800 r/min (RPM).

ASSEMBLAGE

DÉBALLAGE

Cet produit doit être assemblé.

- Avec précaution, sortir l'outil et les accessoires de la boîte. Tous les articles énumérés sous **Inclut** doivent se trouver dans l'emballage au moment de l'achat.

AVERTISSEMENT :

Certaines pièces figurant dans cette section *Assemblage* n'ont pas été installées sur le produit par le fabricant et exigent une installation du client. Le fait d'utiliser un produit qui a été assemblé de façon inadéquate peut entraîner des blessures.

- Examiner soigneusement l'outil pour s'assurer que rien n'a été brisé ou endommagé en cours de transport.
- Ne pas jeter les matériaux d'emballage avant d'avoir soigneusement examiné l'outil et avoir vérifié qu'il fonctionne correctement.
- Si des pièces sont manquantes ou endommagées, appeler le 1-800-525-2579. Au Mexique, veuillez composer le numéro 01-800-843-1111.

AVERTISSEMENT :

Si des pièces manquent ou sont endommagées, ne pas utiliser cet outil avant qu'elles aient été remplacées. Le fait d'utiliser ce produit même s'il contient des pièces endommagées ou s'il lui manque des pièces pouvant entraîner des blessures graves.

AVERTISSEMENT :

Ne pas essayer de modifier cet produit ou de créer des accessoires non recommandés pour l'produit. De telles altérations ou modifications sont considérées comme un usage abusif et peuvent créer des conditions dangereuses, risquant d'entraîner des blessures graves.

AVERTISSEMENT :

Pour empêcher un démarrage accidentel pouvant entraîner des blessures graves, toujours retirer le bloc-pile de l'produit avant d'assembler des pièces.

INSTALLATION DE LA LAME

Voir la figure 1, page 13.

AVERTISSEMENT :

La taille maximum de lame pouvant être utilisée sur cette scie est de 184 mm (7-1/4 po). Ne jamais utiliser une lame trop épaisse pour permettre à la rondelle extérieure de la lame de s'engager sur les méplats de la broche. Des lames de plus grand diamètre toucheraient la garde et des lames trop épaisses ne pourraient pas être maintenues sur la broche par le boulon. Ces deux situations peuvent causer un accident grave.

- Retirer le bloc-piles de la scie.
- Retirer la clé de lame (clé hexagonale de 6 mm) du compartiment de rangement.
- Appuyer sur le bouton de verrouillage de la broche retirer le boulon de lame et la rondelle extérieure.

NOTE : Tourner le boulon de lame vers la droite pour le retirer.

AVIS :

Pour éviter des dommages à la broche et à son verrouillage, toujours laisser le moteur s'arrêter complètement avant d'engager le verrouillage.

NOTE : Ne pas utiliser la scie circulaire avec le verrouillage de broche engagé.

- Appliquer une mince couche d'huile sur la surface de contact des rondelles intérieure et extérieure avec la lame.

AVERTISSEMENT :

Si la rondelle de lame intérieure a été retirée, la remettre en place avant d'installer la lame sur la broche. L'absence de cette pièce pourrait causer un accident, car la lame ne serait pas correctement serrée.

- Engager la lame dans la garde inférieure et sur la broche.
NOTE : Les dents doivent être orientées vers le haut à l'avant de la scie.
- Remettre la rondelle de lame extérieure en place.

ASSEMBLAGE

- Appuyer sur le bouton de verrouillage de la broche et réinstaller le boulon de lame. Serrer fermement le bouton en le tournant vers la gauche.
- Retirer la clé de lame de son compartiment.

NOTE : Ne jamais utiliser une lame trop épaisse pour permettre à la rondelle extérieure de la lame de s'engager sur les méplats de la broche.

RETRAIT DE LA LAME

Voir la figure 2, page 13.

- Retirer le bloc-piles de la scie.
- Retirer la clé de lame de son compartiment.
- Positionner la scie comme illustré, appuyer sur le bouton de verrouillage de la broche retirer le boulon de lame en le tournant vers la droite.
- Retirer la rondelle extérieure de la lame.
- Retirer la lame.

UTILISATION

AVERTISSEMENT :

Ne pas laisser la familiarité avec l'outil faire oublier la prudence. Ne pas oublier qu'une fraction de seconde d'inattention pouvant entraîner des blessures graves.

AVERTISSEMENT :

Toujours porter une protection oculaire avec écrans latéraux certifiée conforme à la norme ANSI Z87.1. Si cette précaution n'est pas prise, des objets peuvent être projetés dans les yeux et causer des lésions graves.

AVERTISSEMENT :

Ne pas utiliser d'outils ou accessoires non recommandés par le fabricant pour cet outil. L'utilisation de pièces et accessoires non recommandés pouvant entraîner des blessures graves.

AVERTISSEMENT :

Ne jamais utiliser aucune sorte de meules abrasives avec cette scie. L'utilisation de lames autres que pour le bois peut causer des dommages à la propriété ou des blessures graves.

APPLICATIONS

Cet produit peut être utilisé pour les applications ci-dessous :

- Coupe de tous types de produits du bois (planches, contre-plaqué, lambrisage)

INSTALLATION/RETRAIT DU BLOC-PILES

Voir la figure 3, page 13.

- Insérer la pile dans l'outil comme illustré.
- S'assurer que les loquets de chaque côté de la pile s'enclenchent en place et que la pile est bien fixée à l'outil avant de mettre l'outil en marche.
- Relâcher les loquets pour retirer le bloc-piles.

Pour prendre connaissance des consignes de chargement, consulter le manuel d'utilisation des piles et des chargeurs.

AVERTISSEMENT :

Les outils à piles sont toujours en état de fonctionnement. Il est donc nécessaire de toujours verrouiller la gâchette lorsque l'outil n'est pas en usage et pendant son transport.

REBOND

Voir les figures 4 à 7, page 13 et 14.

On appelle rebond la projection brusque de la scie en direction de l'opérateur, causée par un blocage soudain de la lame. Le blocage de la lame est causée par son pincement dans le bois.

DANGER :

Si la lame se bloque ou la scie cale, relâcher immédiatement la gâchette. Un rebond peut causer la perte de contrôle de la scie. La perte de contrôle pouvant entraîner des blessures graves.

UTILISATION

Pour réduire les risques de rebond, éviter les actions dangereuses, telles que celles décrites ci-dessous:

- Réglage incorrect de la profondeur de coupe.
- Sciage de noeuds ou de clous dans le bois.
- Déviation de la lame en cours de coupe.
- Coupe avec une lame émoussée, encrassée ou mal réglée.
- Support incorrect de la pièce à couper.
- Coupe forcée.
- Coupe de planches humides ou voilées.
- Utilisation incorrecte ou abusive de l'outil.

Pour réduire les risques de rebond, prendre les précautions suivantes :

- Maintenir un réglage de profondeur de coupe correct. La lame ne doit pas dépasser de plus de 6,4 mm (1/4 po) au-dessous de la planche coupée.
- S'assurer de l'absence de noeuds ou de clous dans le bois avant de scier. Ne jamais scier de noeuds ou de clous.
- Effectuer des coupes droites. Toujours utiliser un guide pour le sciage en long. Ceci évite la déviation de la lame.
- Utiliser des lames propres, bien affûtées et correctement réglées. Ne jamais couper avec une lame émoussée.
- Soutenir la pièce avant de commencer la coupe.
- Appliquer une pression constante et régulière sur la scie. Ne jamais forcer la scie.
- Ne pas couper de planches humides ou voilées.
- Tenir la scie fermement à deux mains et se tenir bien campé afin de pouvoir la maîtriser en cas de rebond.

AVERTISSEMENT :

Lors de l'utilisation de la scie, toujours être attentif en en contrôle de la scie. Ne pas retirer la scie de la pièce avant arrêt complet de la lame.

LAMES DE SCIE

La meilleure des lames ne coupera efficacement que si elle est propre, bien affûtée et correctement installée. L'usage d'une lame émoussée impose une forte charge sur la scie et accroît le risque de rebond. Garder des lames de rechange à portée de la main afin de toujours disposer d'un outil affûté.

Les résidus gommeux et la résine séchés sur la lame causent également un ralentissement de la scie. Retirer la lame de la scie et éliminer ces résidus avec un produit spécialement conçu à cet effet, de l'eau chaude ou du kérosène. **NE PAS UTILISER DE L'ESSENCE.**

SYSTÈME DE GARDE DE LAME

Voir la figure 8, page 14.

La garde de lame inférieure de la scie circulaire est conçue pour assurer la protection et la sécurité de l'utilisateur. Ne pas la modifier, pour quelque raison que ce soit. Si elle est endommagée, ne plus utiliser la scie jusqu'à ce qu'elle ait été réparée ou remplacée. Toujours laisser la garde en position de fonctionnement lors de l'utilisation de la scie.

DANGER :

Lors de la coupe traversante, la garde inférieure ne protège pas la partie de la lame se trouvant au-dessous de la planche. De ce fait, il est impératif de garder les mains à l'écart de la zone de coupe et de la lame. Le contact de toute partie du corps avec la lame en rotation seront causer des blessures graves.

ATTENTION :

Ne jamais utiliser une scie dont la garde ne fonctionne pas correctement. Vérifier le fonctionnement de la garde avant chaque utilisation. Elle fonctionne correctement quand elle pivote librement et retourne immédiatement en position fermée. En cas de chute de la scie, regarder si la garde et le butoir sont endommagés et vérifier tous les réglages de profondeur de coupe avant d'utiliser de nouveau la scie.

MISE EN MARCHÉ ET ARRÊT DE LA SCIE

Voir la figure 9, page 14.

Cette scie est munie d'une lampe de travail qui s'allume et s'éteint à la pression et au relâchement de la gâchette.

Pour mettre la scie en marche :

- Appuyer sur le bouton de verrouillage.
- Appuyer sur la gâchette.

Toujours laisser la lame parvenir à sa vitesse maximum avant de l'engager dans le bois.

AVERTISSEMENT :

La mise en contact avec le bois d'une lame ne tournant pas à pleine vitesse peut causer un rebond risquant d'entraîner des blessures graves.

Pour arrêter la scie : Relâcher la gâchette.

Une fois la gâchette relâchée laisser la lame parvenir à l'arrêt complet. **Ne pas retirer la scie de la pièce avant arrêt complet de la lame.**

UTILISATION

BOUTON DE VERROUILLAGE

Voir la figure 9, page 14.

Cette scie est équipée d'un bouton de verrouillage pour réduire le risque de démarrage accidentel. Ce bouton se trouve sur la poignée, au-dessus de la gâchette. Le bouton de verrouillage doit être verrouillé avant d'appuyer sur la gâchette. Le bouton se désengage automatiquement lorsque la gâchette est relâchée.

NOTE : Le bouton de verrouillage peut être enfoncé par la droite ou la gauche.

RÉGLAGE DE LA PROFONDEUR DE COUPE

Voir la figure 10, page 14.

Toujours maintenir un réglage de profondeur de coupe correct. Quelle que soit le type de coupe, la lame ne doit pas dépasser de plus de 6 mm (1/4 po) au-dessous de la pièce coupée. Un dépassement plus important augmente le risque de rebond et nuit à la netteté de la coupe. La garde de lame supérieure comporte une échelle graduée permettant une plus grande précision du réglage de la profondeur de coupe.

- Desserrer le levier de verrouillage de la profondeur en le soulevant loin de la base.
- Déterminer la profondeur de coupe voulue.
- Localiser l'échelle de réglage de profondeur de coupe, à l'arrière de la garde supérieure.
- Tenir la base à plat contre la planche à couper et élever ou abaisser la lame, de manière à ce que le repère du support s'aligne sur l'encoche de la garde.
- Serrer fermement le levier de verrouillage de la profondeur en l'abaissant vers la base.

UTILISATION DE LA SCIE

Voir les figures 11 à 13, page 15.

Il est essentiel de comprendre la méthode correcte d'utilisation de la scie. Voir les illustrations de cette section montrant les façons correctes et incorrectes d'utiliser la scie.

DANGER :

Lorsque la scie est retirée de la planche, la partie inférieure de la lame reste exposée jusqu'à ce que la garde inférieure se ferme. S'assurer que la garde inférieure est fermée avant de poser la scie.

AVERTISSEMENT :

Toujours garder le contrôle de la scie pour faciliter le travail et assurer la sécurité. Une perte de contrôle peut entraîner des blessures graves.

Pour obtenir une qualité de coupe maximum, suivre les conseils ci-dessous.

- Tenir la scie fermement, à deux mains.
- Éviter de placer la main sur la pièce pendant la coupe.
- Soutenir la planche de manière à ce le trait de scie se trouve toujours à droite du corps.
- Soutenir la pièce à couper près du trait de scie.
- Utiliser des serre-joint pour maintenir la pièce sur une surface stable afin qu'elle ne risque pas de bouger pendant la coupe.
- Toujours placer la scie sur la partie soutenue, pas sur la « chute ».
- Placer la pièce avec la « bonne » face vers le bas.
- Tracer la ligne de coupe désirée avant de commencer le travail.

COUPE TRANSVERSALE ET REFENTE

Voir la figure 14, page 15.

Pour effectuer une coupe transversale rectiligne ou une refente, aligner l'encoche 0° de la base du guide de lame sur le trait de coupe.

Différentes lames étant d'épaisseurs différentes, toujours effectuer un essai sur une chute, afin de déterminer le déport du guide avant de commencer, pour obtenir une coupe précise.

NOTE : La distance séparant la ligne de coupe du guide est la distance sur laquelle le guide doit être déplacé.

REFENTE

Voir la figure 15, page 15.

Utiliser un guide pour effectuer les coupes de grande largeur ou longueur.

- Immobiliser la pièce à travailler.
- Assujettir une pièce rectiligne sur la pièce à couper, au moyen de serre-joints.
- Suivre le guide pour assurer une coupe rectiligne.

NOTE : Ne pas bloquer la lame dans le trait de scie.

ÉCHELLE DE LARGEUR DE COUPE

Voir la figure 16, page 15.

La base de la scie comporte une échelle de largeur de coupe. Lors des coupes transversales et longitudinales, cette échelle peut être utilisée pour mesurer jusqu'à 102 mm (4 po) à droite de la lame et 25 mm (1 po) à gauche de la lame.

COUPE EN BISEAU

Voir les figures 17 et 18, pages 15 - 16.

- Régler l'angle de coupe comme désiré, ente 0 et 56°. Voir **Réglage D'angle De Biseau**, ci-après.
- Pour faire une coupe en biseau à 45°, aligner la ligne de coupe sur l'encoche du guide-lame de 45° sur la base.
- Effectuer un essai sur une chute pour déterminer le déport du guide avant de commencer la coupe.

UTILISATION

RÉGLAGE D'ANGLE DE BISEAU

Voir la figure 18, page 16.

- Desserrer le bouton de verrouillage de biseau.
- Relever le côté boîtier du moteur de façon à obtenir l'angle désiré, indiqué par l'échelle graduée.
- Serrer fermement le bouton de verrouillage d'angle de biseau.

AVERTISSEMENT :

Ne pas essayer de pratiquer une coupe en biseau sans avoir vérifié que le levier de verrouillage de biseau est solidement verrouillé, car cela présenterait des risques de blessures graves.

NOTE : Pour les coupes en biseau de 56° et plus, déplacer le bouton de verrouillage de biseau dans l'encoche de la marque de 56° sur l'échelle de biseau, puis serrer fermement le bouton.

COUPE EN BISEAU

Voir la figure 18, page 16.

- Tenir la scie fermement, à deux mains, comme illustré.
- Poser le bord avant de la base sur la pièce à couper.
- Mettre la scie en marche et laisser la lame parvenir à sa vitesse maximum.
- Engager la scie dans la pièce et effectuer la coupe.
- Relâcher la gâchette et laisser la lame parvenir à l'arrêt complet.
- Retirer la scie de la pièce.

ÉVIDEMENTS

Voir la figure 19, page 15.

AVERTISSEMENT :

Toujours mettre le réglage de biseau sur zéro avant de pratiquer un évidement. La découpe d'un évidement avec un quelconque autre réglage peut causer la perte de contrôle de la scie et entraîner des blessures graves.

- Régler l'angle de biseau sur zéro.
- Régler la lame sur la profondeur de coupe correcte.
- Relever la garde de lame inférieure au moyen de la poignée de rétraction.

NOTE : Toujours utiliser la poignée pour relever la garde de lame inférieure, pour éviter des blessures.

- Maintenir la garde relevée, par la poignée.

AVERTISSEMENT :

Ne jamais s'étendre les doigts pendant que tenant la poignée de garde de lame plus basse. Étendre vos doigts peuvent avoir pour résultat le contact avec la lame entraînant des blessures graves.

- Placer le devant de la base à plat contre la pièce à couper et relever l'arrière de la scie pour empêcher que la lame ne touche le bois.
- Mettre la scie en marche et laisser la lame parvenir à sa vitesse maximum.
- Engager la scie dans la pièce et effectuer la coupe.

AVERTISSEMENT :

Toujours couper vers l'avant lors des évidements. La coupe en arrière pourrait causer la projection de la scie en arrière, en direction de l'opérateur.

- Relâcher la gâchette et laisser la lame parvenir à l'arrêt complet.
- Retirer la scie de la pièce.
- Finir les coins avec une scie à main ou une scie sauteuse.

AVERTISSEMENT :

Ne jamais bloquer la garde en position relevée. La lame exposée pourrait infliger des blessures graves.

RÉGLAGES

AVERTISSEMENT :

Pour empêcher un démarrage accidentel pouvant entraîner des blessures graves, toujours retirer le bloc de bloc-pile de l'produit avant d'assembler des pièces.

BUTÉE FIXE DE BISEAU À 0°

Voir la figure 20, page 15.

La scie est dotée d'une butée de biseau à 0° réglée en usine pour assurer la que la plaque la lame est d'équerre lors des coupes à 90°.

VÉRIFICATION DE LA BUTÉE FIXE DE BISEAU À 0°

- Retirer le bloc-piles.
- Poser la scie à l'envers sur un établi.
- Vérifier que la plaque la lame est à angle droit par rapport à la base de la scie au moyen d'une équerre de charpentier.

RÉGLAGE DE LA BUTÉE FIXE DE BISEAU À 0°

- Retirer le bloc-piles.
- Desserrer le bouton de verrouillage de biseau.
- Desserrer l'écrou hexagonal sécurisant la vis de réglage.
- Tourner la vis de réglage et ajuster la base jusqu'à ce qu'elle s'aligne avec la lame de la scie.
- Serrer fermement l'écrou hexagonal et le bouton de verrouillage du biseau.

AVERTISSEMENT :

Ne pas essayer de pratiquer une coupe en biseau sans avoir vérifié que le levier de verrouillage est solidement verrouillé, car cela présenterait des risques de blessures graves.

RÉGLAGE LE LEVIER DE VERROUILLAGE DE LA PROFONDEUR

Voir figure 21, page 16.

Avec le temps et à cause de l'usure, le levier de verrouillage de la profondeur peut se déplacer de sa position d'origine. Si le levier entre en contact prématurément avec toute pièce de la scie pendant le vissage ou le dévissage, ajuster le levier en suivant les étapes suivantes :

- Retirer le bloc-piles.
- Pour relâcher le levier de verrouillage de la profondeur, le soulever loin de la base.
- Abaisser la base de la scie à la position minimale de coupe pour fixer le levier de verrouillage de la profondeur, l'abaisser vers la base.
- Insérer un tournevis à tête plate dans l'espace situé entre l'écrou de blocage et l'anneau en E. Anneau en E.
- Marquer la position du levier sur l'écrou. Glisser le levier de verrouillage de la profondeur hors de la portion hexagonale de l'écrou de blocage.
- L'écrou de blocage possède six côtés plats. Tourner le levier de verrouillage de la profondeur le sens horaire autour de l'écrou. Le replacer ensuite dans la portion hexagonale en le glissant.
- Pousser l'anneau en E sur la rainure de l'écrou de blocage jusqu'à ce qu'elle s'enclenche en place. Il ne faut pas que l'anneau en E sorte de l'écrou de blocage.
- Déserrer le levier de verrouillage de la profondeur et remettre la base en position de coupe de pleine profondeur et verrouiller le réglage de profondeur en poussant le levier de verrouillage de la profondeur vers le bas. La position de la base doit être verrouillée correctement et libre de mouvement lors du relâchement.

ENTRETIEN

AVERTISSEMENT :

Utiliser exclusivement des pièces d'origine pour les réparations. L'usage de toute autre pièce pourrait créer une situation dangereuse ou endommager l'produit.

AVERTISSEMENT :

Toujours porter une protection oculaire avec écrans latéraux certifiée conforme à la norme ANSI Z87.1. Si cette précaution n'est pas prise, des objets peuvent être projetés dans les yeux et causer des lésions graves.

AVERTISSEMENT :

Pour empêcher un démarrage accidentel pouvant entraîner des blessures graves, toujours retirer le bloc-piles de l'produit avant tout nettoyage ou entretien.

ENTRETIEN GÉNÉRAL

Éviter d'utiliser des solvants pour le nettoyage des pièces en plastique. La plupart des matières plastiques peuvent être endommagées par divers types de solvants du commerce. Utiliser un chiffon propre pour éliminer la saleté, la poussière, l'huile, la graisse, etc.

AVERTISSEMENT :

Ne jamais laisser de liquides tels que le fluide de freins, l'essence, les produits à base de pétrole, les huiles pénétrantes, etc., entrer en contact avec les pièces en plastique. Les produits chimiques peuvent endommager, affaiblir ou détruire le plastique, ce qui pouvant entraîner des blessures graves.

ACCESSOIRES

Rechercher ces accessoires où vous avez acheté ce produit ou en appelant au 1-800-525-2579 :

- Lame de 184 mm (7-1/4 po)682130001
- Guide de chant204585001

AVERTISSEMENT :

Les outils et accessoires disponibles actuellement pour cet produit sont listés ci-dessus. Ne pas utiliser d'outils ou accessoires non recommandés pour cet produit. L'utilisation de pièces et accessoires non recommandés peut entraîner des blessures graves.

**NOTE : ILLUSTRATIONS COMMENÇANT
SUR 13 DE PAGE APRÈS LE SECTION ESPAGNOL.**

ADVERTENCIAS DE SEGURIDAD PARA HERRAMIENTAS ELÉCTRICAS

ADVERTENCIA

Lea todas las advertencias de seguridad y las instrucciones. El incumplimiento de las advertencias e instrucciones puede ocasionar descarga eléctrica, fuego o lesiones graves.

Guarde todas las advertencias e instrucciones para futuras consultas. El término “herramienta eléctrica” empleado en todos los avisos de advertencia enumerados abajo se refiere a las herramientas eléctricas de cordón (alámbricas) y de baterías (inalámbricas).

SEGURIDAD EN EL ÁREA DE TRABAJO

- **Mantenga limpia y bien iluminada el área de trabajo.** Un área de trabajo mal despejada o mal iluminada propicia accidentes.
- **No utilice herramientas motorizadas en atmósferas explosivas, como las existentes alrededor de líquidos, gases y polvos inflamables.** Las herramientas eléctricas generan chispas que pueden encender el polvo y los vapores inflamables.
- **Mantenga alejados a los niños y circunstantes al maniobrar una herramienta eléctrica.** Toda distracción puede causar pérdida del control de la herramienta.

SEGURIDAD ELÉCTRICA

- **Las clavijas de las herramientas eléctricas deben corresponder a las tomas de corriente donde se conectan. Nunca modifique la clavija de ninguna forma. No utilice ninguna clavija adaptadora con herramientas eléctricas dotadas de contacto a tierra.** Conectando las clavijas originales en las tomas de corriente donde corresponden se disminuye el riesgo de una descarga eléctrica.
- **Evite el contacto del cuerpo con las superficies de objetos que estén haciendo tierra o estén conectados a ésta, como tuberías, radiadores, estufas y refrigeradores.** Existe un mayor riesgo de descargas eléctricas si el cuerpo está haciendo tierra.
- **No exponga las herramientas eléctricas a la lluvia ni a condiciones de humedad.** La introducción de agua en una herramienta eléctrica aumenta el riesgo de descargas eléctricas.
- **No maltrate el cordón eléctrico. Nunca utilice el cordón para trasladar, desconectar o tirar de la herramienta eléctrica. Mantenga el cordón alejado del calor, del aceite, de bordes afilados y de piezas móviles.** Los cordones eléctricos dañados o enredados aumentan el riesgo de descargas eléctricas.
- **Al utilizar una herramienta eléctrica a la intemperie, use un cordón de extensión apropiado para el exterior.** Usando un cordón adecuado para el exterior se disminuye el riesgo de descargas eléctricas.
- **Si debe operar una herramienta en lugares húmedos, use un suministro protegido por un interruptor de circuito con pérdida a tierra (GFCI).** El uso de un GFCI reduce el riesgo de descargas eléctricas.
- **Cargue las baterías solamente con el cargador indicado.** Para utilizar con paquetes de baterías de iones de litio de 18 V, consulte el folleto de la herramienta/aparato/paquete de baterías/cargador complementario 987000-432.

SEGURIDAD PERSONAL

- **Permanezca alerta, preste atención a lo que esté haciendo y aplique el sentido común al utilizar herramientas eléctricas.**

No utilice la herramienta eléctrica si está cansado o se encuentra bajo los efectos de alguna droga, alcohol o medicamento. Un momento de inatención al utilizar una herramienta eléctrica puede causar lesiones corporales serias.

- **Use equipo de seguridad. Siempre póngase protección ocular.** El uso de equipo de seguridad como mascarilla para el polvo, calzado de seguridad, casco y protección para los oídos en las circunstancias donde corresponda disminuye el riesgo de lesiones.
- **Evite un arranque accidental de la unidad. Asegúrese de que el interruptor esté en la posición de apagado antes de conectar la herramienta.** Portar las herramientas eléctricas con el dedo en el interruptor, o conectarlas con el interruptor puesto, propicia accidentes.
- **Retire toda llave o herramienta de ajuste antes de encender la herramienta eléctrica.** Toda llave o herramienta de ajuste dejada en una pieza giratoria de la herramienta eléctrica puede causar lesiones.
- **No estire el cuerpo para alcanzar mayor distancia. Mantenga una postura firme y buen equilibrio en todo momento.** De esta manera se logra un mejor control de la herramienta eléctrica en situaciones inesperadas.
- **Vístase adecuadamente. No vista ropas holgadas ni joyas. Mantenga el cabello, la ropa y los guantes alejados de las piezas móviles.** Las ropas holgadas, las joyas y el cabello largo pueden engancharse en las piezas móviles.
- **Si se suministran dispositivos para conectar mangueras de extracción y captación de polvo, asegúrese de que éstas estén bien conectadas y se usen correctamente.** La utilización de captador de polvo puede disminuir los peligros relacionados con el polvo.
- **No vista ropas holgadas ni joyas. Recójase el cabello si está largo.** Las ropas holgadas y las joyas, así como el cabello largo, pueden resultar atraídas hacia el interior de las aberturas de ventilación.
- **No utilice la unidad al estar en una escalera o en un soporte inestable.** Una postura estable sobre una superficie sólida permite un mejor control de la herramienta eléctrica en situaciones inesperadas.

EMPLEO Y CUIDADO DE LA HERRAMIENTA ELÉCTRICA

- **No fuerce la herramienta eléctrica. Utilice la herramienta eléctrica adecuada para cada trabajo.** La herramienta eléctrica adecuada efectúa mejor y de manera más segura el trabajo, si además se maneja a la velocidad para la que está diseñada.
- **No utilice la herramienta si el interruptor no enciende o no apaga.** Cualquier herramienta eléctrica que no pueda controlarse con el interruptor es peligrosa y debe repararse.
- **Desconecte la clavija del suministro de corriente o retire el paquete de baterías de la herramienta eléctrica, según sea el caso, antes de efectuarle cualquier ajuste, cambiarle accesorios o guardarla.** Tales medidas preventivas de seguridad reducen el riesgo de poner en marcha accidentalmente la herramienta.
- **Guarde las herramientas eléctricas desocupadas fuera del alcance de los niños y no permita que las utilicen personas no familiarizadas con las mismas o con estas instrucciones.**

ADVERTENCIAS DE SEGURIDAD PARA HERRAMIENTAS ELÉCTRICAS

Las herramientas eléctricas son peligrosas en manos de personas no capacitadas en el uso de las mismas.

- **Preste servicio a las herramientas eléctricas. Revise para ver si hay desalineación o atoramiento de piezas móviles, ruptura de piezas o cualquier otra condición que pueda afectar el funcionamiento de la herramienta. Si está dañada la herramienta eléctrica, permita que la reparen antes de usarla.** Numerosos accidentes son causados por herramientas eléctricas mal cuidadas.
- **Mantenga las herramientas de corte afiladas y limpias.** Las herramientas de corte bien cuidadas y con bordes bien afilados, tienen menos probabilidad de atascarse en la pieza de trabajo y son más fáciles de controlar.
- **Utilice la herramienta eléctrica, los accesorios y brocas, hojas y cuchillas de corte, ruedas de esmeril, etc. de conformidad con estas instrucciones, tomando en cuenta las condiciones de trabajo y la tarea por realizar.** Si se utiliza la herramienta eléctrica para operaciones diferentes de las indicadas podría originar una situación peligrosa.

EMPLEO Y CUIDADO DE LA HERRAMIENTA DE BATERÍAS

- **Sólo cargue el paquete de baterías con el cargador especificado por el fabricante.** Un cargador adecuado para un tipo paquete de baterías puede significar un riesgo de incendio si se emplea con un paquete de baterías diferente.

- **Utilice las herramientas eléctricas sólo con los paquetes de baterías específicamente indicados.** El empleo de paquetes de baterías diferentes puede presentar un riesgo de incendio.
- **Cuando no esté utilizándose el paquete de baterías, manténgalo lejos de otros objetos metálicos, como clips, monedas, llaves, clavos, tornillos o otros objetos metálicos, pequeños que puedan establecer conexión entre ambas terminales.** Establecer una conexión directa entre las dos terminales de las baterías puede causar quemaduras o incendios.
- **Si se maltratan las baterías, puede derramarse líquido de las mismas; evite todo contacto con éste. En caso de contacto, lávese con agua. Si el líquido llega a tocar los ojos, además busque atención médica.** El líquido de las baterías puede causar irritación y quemaduras.

SERVICIO

- **Permita que un técnico de reparación calificado preste servicio a la herramienta eléctrica, y sólo con piezas de repuesto idénticas.** De esta manera se mantiene la seguridad de la herramienta eléctrica.
- **Al dar servicio a una herramienta eléctrica, sólo utilice piezas de repuesto idénticas. Siga las instrucciones señaladas en la sección Mantenimiento de este manual.** El empleo de piezas no autorizadas o el incumplimiento de las instrucciones de mantenimiento puede significar un riesgo de descarga eléctrica o de lesiones.

ADVERTENCIAS DE SEGURIDAD SIERRA CIRCULAR

PROCEDIMIENTOS DE CORTE

PELIGRO:

Mantenga las manos alejadas del área de corte y de la hoja. Mantenga la otra mano en el mango auxiliar o en el alojamiento del motor. Si ambas manos están sujetando la sierra, la hoja de corte no puede lesionarlas.

- **No trate de alcanzar nada bajo la pieza de trabajo.** La protección no puede proteger al operador de la hoja bajo la pieza de trabajo.
- **Ajuste la profundidad de corte al espesor de la pieza de trabajo.** Por debajo de la pieza de trabajo, debe verse menos de un diente completo de la hoja.
- **Nunca sujete la pieza de trabajo con las manos ni puesta en la pierna. Asegure la pieza de trabajo en una plataforma estable.** Es importante apoyar correctamente la pieza para reducir al mínimo la exposición del cuerpo, el atoramiento de la hoja y la pérdida de control.
- **Sólo sostenga la herramienta eléctrica desde las superficies de empuñadura aisladas cuando ejecute una operación en la que la herramienta de corte pudiera entrar en contacto con cables ocultos.** El contacto con un cable “vivo” también hará que las piezas metálicas expuestas de la herramienta eléctrica “tomen corriente” y el operador sufrirá una descarga eléctrica.
- **Al cortar al hilo, siempre utilice una guía de corte al hilo o una guía recta.** Esto mejora la precisión del corte y reduce la posibilidad de que la hoja se atasque.
- **Use siempre hojas con orificios del árbol del tamaño y la forma correctos (con forma de diamante o redonda).** Las

hojas que no coinciden con los elementos de montaje de la sierra funcionarán de forma excéntrica, ocasionando la pérdida de control.

- **Nunca utilice un perno o arandelas de la hoja que estén dañados o sean incorrectos.** Las arandelas y el perno de la hoja fueron diseñados especialmente para su sierra, para ofrecer un rendimiento óptimo y seguridad en el funcionamiento.

CAUSAS DE CONTRAGOLPE Y ADVERTENCIAS RELACIONADAS

- El contragolpe es una reacción súbita a un pellizcamiento, atoramiento o desalineación de la hoja de la sierra, lo cual causa el descontrol, levantamiento y salida de la misma de la pieza de trabajo, hacia el operador.
- Cuando el corte al irse cerrando pellizca o atora ajustadamente la hoja de corte, ésta tiende a detenerse y la reacción del motor impulsa de forma rápida y violenta la unidad hacia el operador.
- Si la hoja se tuerce o desalinea en el corte, los dientes situados en el borde posterior de la hoja pueden encajarse en la superficie externa de la madera, causando de esta manera la salida de la hoja fuera del corte y un salto de la misma hacia el operador.

El mal uso de la sierra ocasionará un contragolpe y/o de procedimientos o condiciones de trabajo incorrectas, y puede evitarse tomando las medidas de precaución adecuadas, como las señales abajo:

- **Sujete firmemente la sierra con ambas manos y coloque sus brazos de manera tal que resista la fuerza del contragolpe. Coloque su cuerpo a un costado de la hoja y no alineado con ésta.** El contragolpe puede ocasionar que la sierra salte

ADVERTENCIAS DE SEGURIDAD SIERRA CIRCULAR

hacia atrás. Sin embargo, el operador puede controlar la fuerza del contragolpe si toma las precauciones apropiadas.

- **Cuando esté atorándose la hoja, o esté interrumpiéndose el corte por alguna razón, suelte el gatillo y mantenga inmóvil la sierra en el material hasta que se detenga completamente la sierra. Nunca intente retirar la sierra de la pieza de trabajo ni tirar de la misma hacia atrás mientras esté en movimiento la hoja de corte, ya que puede ocasionar un contragolpe.** Investigue y tome las medidas correctivas adecuadas para eliminar la causa del atoramiento de la hoja.
- **Al volver a arrancar la sierra en la pieza de trabajo, centre la hoja en el corte y verifique que los dientes de la misma no estén encajados en el material.** Si la sierra está atorándose, puede salirse de la pieza de trabajo o dar un contragolpe al volverse a rearrancar.
- **Apoye debidamente los paneles grandes para reducir al mínimo el riesgo de un pellizcamiento de la hoja de corte y de un contragolpe.** Los paneles grandes tienden a combarse bajo su propio peso. Deben colocarse soportes bajo ambos lados del panel, cerca de la línea de corte y de la orilla del mismo.
- **No utilice hojas de corte desafiladas o dañadas.** Las hojas de corte desafiladas o triscadas de forma incorrecta producen un corte angosto con la consiguiente fricción excesiva, atoramiento de la hoja misma y contragolpe.
- **Las palancas de bloqueo de ajuste de profundidad y de biselado deben estar apretadas y aseguradas antes de efectuarse el corte.** Si cambia el ajuste de la hoja durante el corte, puede causarse el atoramiento de la misma y un contragolpe.
- **Tenga sumo cuidado cuando corte en paredes existentes o en otros puntos ciegos.** La parte sobresaliente de la hoja puede cortar objetos que pueden causar un contragolpe.

FUNCIÓN DE PROTECCIÓN INFERIOR

- **Cada vez antes de utilizar la unidad verifique que cierre correctamente la protección inferior. No utilice la sierra si la protección inferior no se mueve libremente y no cierra instantáneamente. Nunca asegure de ninguna forma la protección inferior en la posición abierta.** Si se deja caer accidentalmente la sierra, la protección inferior puede sufrir un doblamiento. Suba la protección inferior con el mango retractor y asegúrese de que se mueve libremente y no toca la hoja de corte ni ninguna otra parte, en todos los ángulos y profundidades de corte.
- **Verifique el funcionamiento del resorte de la protección inferior. Si la protección y el resorte no funcionan correctamente, debe proporcionárseles servicio antes de utilizar la unidad.** La protección inferior puede moverse con lentitud debido a piezas dañadas, depósitos gomosos o acumulación de desechos.
- **El protector inferior se deberá retraer manualmente sólo en el caso de cortes especiales como “cortes de penetración” y “cortes compuestos”.** Levante el protector inferior retrayendo el mango y, ni bien la hoja ingrese en el material, libere el protector inferior. Para todas las demás operaciones de aserrado, el protector inferior se deberá operar automáticamente.
- **Siempre asegúrese de que la protección inferior esté cubriendo la hoja de corte antes de colocar la sierra en un banco de trabajo o en el piso.** Si la hoja no está protegida y está aún en movimiento, la sierra avanza hacia atrás y corta cualquier objeto situado en su trayecto. Tenga presente el




tiempo requerido por la hoja para detenerse después de soltarse el interruptor.

REGLAS ADICIONALES DE SEGURIDAD







- **Utilice prensas o cualquier otro medio práctico de asegurar y sostener la pieza de trabajo en una plataforma segura.** Sostener la pieza con la mano o contra el cuerpo lo hace inestable y puede causar una pérdida de control.
- **Siempre póngase protección ocular con protectores laterales con la marca de cumplimiento de la norma ANSI Z87.1 junto con protección para los oídos.** Con el cumplimiento de esta regla se reduce el riesgo de lesiones corporales serias.
- **Protéjase los pulmones. Use una careta o mascarilla contra el polvo si la operación genera mucho polvo.** Con el cumplimiento de esta regla se reduce el riesgo de lesiones serias.
- **Protéjase los oídos. Durante períodos prolongados de utilización del producto, póngase protección para los oídos.** Con el cumplimiento de esta regla se reduce el riesgo de lesiones corporales serias.
- **No se necesita conectar a una toma de corriente las herramientas de baterías; por lo tanto, siempre están en condiciones de funcionamiento. Esté consciente de los posibles peligros cuando no esté usando la herramienta de baterías o cuando esté cambiando los accesorios de la misma.** Con el cumplimiento de esta regla se reduce el riesgo de una descarga eléctrica, incendio o lesión corporal seria.
- **No coloque herramientas de baterías ni las baterías mismas cerca del fuego o del calor.** De esta manera se reduce el riesgo de explosiones y de lesiones.
- **No aplaste, deje caer ni dañe el paquete de baterías. No use un paquete de baterías o un cargador que se haya caído o haya recibido un golpe fuerte.** Las baterías dañadas pueden sufrir explosiones. Deseche de inmediato toda batería que haya sufrido una caída o cualquier daño.
- **Las baterías pueden explotar en presencia de una fuente de ignición, como una luz piloto.** Para reducir el riesgo de lesiones corporales serias, nunca use un producto inalámbrico en presencia de llamas vivas. Una batería que explotó puede expulsar escombros y productos químicos. Si ha quedado expuesto a la explosión de una pila, lávese de inmediato con agua.
- **No cargue herramientas de baterías en lugares mojados o húmedos.** Con el cumplimiento de esta regla se reduce el riesgo de una descarga eléctrica.
- **Para obtener resultados óptimos, debe cargar la herramienta de baterías en un lugar donde la temperatura esté entre 10 y 38 °C (50 y 100 °F).** Para reducir el riesgo de lesiones corporales serias, no guarde la herramienta a la intemperie ni en el interior de vehículos.
- **En condiciones extremas de uso o temperatura, la batería puede presentar fugas. Si el líquido entra en contacto con la piel, lávese inmediatamente con agua y jabón. Si le entra líquido en los ojos, láveselos con agua limpia por lo menos 10 minutos, y después busque de inmediato atención médica.** Con el cumplimiento de esta regla se reduce el riesgo de lesiones personales serias.
- **Guarde estas instrucciones.** Consúltelas con frecuencia y empléelas para instruir a otras personas que puedan utilizar esta herramienta. Si le presta esta herramienta a alguien, facilítele también las instrucciones.

SÍMBOLOS

Les termes de mise en garde suivants et leur signification ont pour but d'expliquer le degré de risques associé à l'utilisation de ce produit.

SYMBOLE	SIGNAL	SIGNIFICATION
	DANGER :	Indique une situation dangereuse qui, si elle n'est pas évitée, aura pour conséquences des blessures graves ou mortelles.
	AVERTISSEMENT :	Indique une situation dangereuse qui, si elle n'est pas évitée, pourrait entraîner des blessures graves ou mortelles.
	ATTENTION :	Indique une situation dangereuse qui, si elle n'est pas évitée, pourrait entraîner des blessures légères ou de gravité modérée.
	AVIS :	(Sans symbole d'alerte de sécurité) Indique les informations jugées importantes sans toutefois représenter un risque de blessure (ex. : messages concernant les dommages matériels).

Es posible que se empleen en este producto algunos de los siguientes símbolos. Le suplicamos estudiarlos y aprender su significado. Una correcta interpretación de estos símbolos le permitirá utilizar mejor y de manera más segura el producto.

SÍMBOLO	NOMBRE	DENOMINACIÓN/EXPLICACIÓN
	Alerta de seguridad	Indica un peligro posible de lesiones personales.
	Lea el manual del operador	Para reducir el riesgo de lesiones, el usuario debe leer y comprender el manual del operador antes de usar este producto.
	Protección ocular	Siempre póngase protección ocular con protección lateral con la marca de cumplimiento de la norma ANSI Z87.1.
	Alerta de condiciones húmedas	No exponga la unidad a la lluvia ni la use en lugares húmedos.
	Símbolo de no acercar las manos	Si no mantiene las manos alejadas de la hoja de corte, se causará serias lesiones corporales.
	Símbolo de reciclado	Este producto utiliza baterías de iones de litio (Li-ion). Es posible que algunas leyes municipales, estatales o federales prohíban desechar las baterías en la basura normal. Consulte a las autoridades reguladoras de desechos para obtener información en relación con las alternativas de reciclado y desecho disponibles.
==	Corriente continua	Tipo o característica de corriente
n_0	Velocidad en vacío	Velocidad de rotación, en vacío
.../min	Por minuto	Revoluciones, carreras, velocidad superficial, órbitas, etc., por minuto
V	Volts	Voltaje
min	Minutos	Tiempo

CARACTERÍSTICAS

ESPECIFICACIONES DEL PRODUCTO

Motor 18 V c.c.
Diámetro de la hoja 184 mm (7-1/4 pulg.)
Árbol de la hoja de corte 15.9 mm (5/8 pulg.)

Profundidad de corte a 0° 61.9 mm (2-7/16 pulg.)
Profundidad de corte a 45° 46 mm (1-13/16 pulg.)
Velocidad en vacío 3 800 r/min. (RPM)

ARMADO

DESEMPAQUETADO

Este producto requiere armarse.

- Extraiga cuidadosamente de la caja la herramienta y los accesorios. Todos los elementos enumerados en la sección **Incluye** se deben incluir al momento de la compra.

ADVERTENCIA:

Las piezas incluidas en esta sección de *Armado* no vienen ensambladas en el producto de fábrica y requieren la instalación por parte del cliente. El uso de un producto que pueda haber sido armado de manera incorrecta podría provocar lesiones personales graves.

- Inspeccione cuidadosamente la herramienta para asegurarse de que no haya sufrido ninguna rotura o daño durante el transporte.
- No deseche el material de empaquetado hasta que haya inspeccionado cuidadosamente la herramienta y la haya utilizado satisfactoriamente.
- Si hay piezas dañadas o faltantes, le suplicamos llamar al 1-800-525-2579, donde le brindaremos asistencia. En México, llame al 01-800-843-1111.

ADVERTENCIA:

No permita que su familiarización con las herramientas lo vuelva descuidado. Usar este producto con partes dañadas o faltantes puede causar lesiones serias al operador.

ADVERTENCIA:

Cuando utilice herramientas, póngase siempre gafas de seguridad o anteojos protectores con protección lateral. La inobservancia de esta advertencia puede causar el lanzamiento de objetos a los ojos, y por consecuencia posibles lesiones serias.

ADVERTENCIA:

No utilice ningún aditamento o accesorio no recomendado por el fabricante de esta herramienta. El empleo de aditamentos o accesorios no recomendados podría causar lesiones serias.

MONTAJE DE LA HOJA

Veá la figura 1, página 13.

ADVERTENCIA:

La máxima capacidad de diámetro de hoja de la sierra es 184 mm (7-1/4 pulg.). Nunca utilice una hoja tan gruesa que la arandela exterior de la hoja no se enganche en las partes planas del husillo. Las hojas más grandes tocan la protección de la hoja, y las más gruesas impiden asegurarlas con el perno correspondiente en el husillo. Cualquiera de estas dos situaciones puede causar un accidente serio.

- Retire de la sierra el paquete de baterías.
- Retire de su lugar de almacenamiento la llave de la hoja de corte (la llave hexagonal de 6 mm).
- Oprima el seguro del husillo y retire el tornillo y la arandela exterior de la hoja.

NOTA: Gire el tornillo de la hoja hacia la derecha para retirarlo.

AVISO:

Para evitar dañar el husillo o el seguro del mismo, siempre deje que el motor se detenga completamente antes de enganchar el seguro.

NOTA: No ponga a funcionar la sierra circular con el seguro del husillo puesto.

- Unte una gota de aceite en las arandelas interior y exterior de la hoja, donde tocan ésta.

ADVERTENCIA:

Si retiró la arandela interior de la hoja, vuelva a colocarla antes de instalar la hoja en el husillo. Si no lo hace podría producirse un accidente ya que la hoja no se apretaría correctamente.

- Acomode la hoja de la sierra dentro de la protección inferior, y luego móntela en el husillo.

NOTA: Los dientes de la sierra apuntan hacia arriba en la parte delantera de la sierra.

- Vuelva a colocar la arandela de la hoja.

ARMADO

- Oprima el botón del seguro del husillo y vuelva a colocar el tornillo de la hoja. Apriete firmemente el tornillo de la hoja girándolo hacia la izquierda.
- Regrese la llave de la hoja al compartimento.

NOTA: Nunca utilice una hoja tan gruesa que no pueda acoplarse la rondana exterior de la hoja en las partes planas del husillo.

DESMONTAJE DE LA HOJA DE CORTE

Vea la figura 2, página 13.

- Retire de la sierra el paquete de baterías.
- Extraiga del compartimento la llave de la hoja de corte.
- Coloque la sierra como se muestra, oprima el botón del seguro del husillo, y retire el tornillo de la hoja girándolo a la derecha.
- Retire la arandela exterior de la hoja.
- Retire la hoja.

FUNCIONAMIENTO

ADVERTENCIA:

No permita que su familiarización con los productos lo vuelva descuidado. Tenga presente que un descuido de un instante es suficiente para causar una lesión grave.

ADVERTENCIA:

Siempre póngase protección ocular con protección lateral con la marca de cumplimiento de la norma ANSI Z87.1. Si no cumple esta advertencia, los objetos que salen despedidos pueden producirle lesiones serias en los ojos.

ADVERTENCIA:

No utilice ningún aditamento o accesorio no recomendado por el fabricante de este producto. El empleo de aditamentos o accesorios no recomendados podría causar lesiones serias.

ADVERTENCIA:

Nunca use los discos de corte abrasivos de ningún tipo con esta sierra. El uso de hojas que no corten madera puede resultar en daños a la propiedad o lesiones corporales serias.

APLICACIONES

Este producto puede emplearse para los fines siguientes:

- Corte de todos tipos de productos de madera (tablas, contrachapada y paneles)

INSTALACIÓN/DESMONTAR DEL PAQUETE DE BATERÍAS

Vea la figura 3, página 13.

- Coloque el paquete de baterías en el producto como se muestra.
- Asegúrese de que los pestillos situados a ambos lados del paquete de baterías entren completamente en su lugar con un chasquido y de que el paquete quede bien asegurado en la herramienta antes de comenzar a utilizarla.
- Oprima los pestillos para extraer el paquete de baterías.

Para obtener instrucciones específicas de carga, lea el manual del operador que se incluye con el cargador y la batería.

ADVERTENCIA:

Las herramientas de baterías siempre están en condiciones de funcionamiento. Por lo tanto, siempre debe estar asegurado el interruptor cuando no esté usándose o el operador lo lleve por un lado.

CONTRAGOLPE

Vea las figuras 4 a 7, página 14.

El contragolpe sucede cuando la hoja se detiene rápidamente y la sierra sale empujada hacia el operador. El atoramiento de la hoja es causado por cualquier acción que produzca el pellizcamiento de la hoja en la madera.

PELIGRO:

Si la hoja se atora o se detiene la sierra, suelte de inmediato el interruptor. El contragolpe podría causar la pérdida de control de la sierra. La pérdida de control puede originar lesiones serias.

FUNCIONAMIENTO

Para protegerse y evitar contragolpes, evite prácticas peligrosas como las siguientes:

- Ajustar de forma incorrecta la profundidad de la hoja.
- Cortar nudos o clavos contenidos en la pieza de trabajo.
- Torcer la hoja al efectuar un corte.
- Cortar con una hoja desafilada, mal triscada o cubierta de goma.
- Apoyar de forma incorrecta la pieza de trabajo.
- Efectuar cortes forzados.
- Cortar madera combada o húmeda.
- Utilizar la herramienta de forma incorrecta o para un uso inadecuado.

Para disminuir el peligro de un contragolpe, siga estas prácticas de seguridad:

- Mantenga la hoja a un ajuste de profundidad correcto. El ajuste de profundidad no debe sobrepasar 1/4 pulg. (6,4 mm) por abajo de la pieza de trabajo.
- Inspeccione la pieza de trabajo para ver si contiene nudos o clavos antes de empezar a cortar. Nunca corte nudos ni clavos.
- Corte en línea recta. Siempre utilice una guía recta al efectuar cortes al hilo. Esto ayuda a evitar el torcimiento de la hoja.
- Use hojas limpias, afiladas y triscadas correctamente. Nunca efectúe cortes con hojas sin filo.
- Apoye adecuadamente la pieza de trabajo antes de iniciar un corte.
- Aplique una presión estable y uniforme al efectuar el corte. Nunca efectúe cortes forzados.
- No corte madera combada o húmeda.
- Sujete firmemente la sierra con ambas manos y mantenga el cuerpo en una postura bien equilibrada de manera que pueda resistir las fuerzas de un contragolpe si llegara a ocurrir.

ADVERTENCIA:

Al utilizar la sierra siempre permanezca alerta y en control de la herramienta. No retire la sierra de la pieza de trabajo mientras continúe en movimiento la hoja.

HOJAS DE SIERRA

Incluso las mejores hojas para sierra no cortan eficientemente si no se mantienen, limpias, afiladas y debidamente triscadas. Si se utiliza una hoja desafilada se le impone una carga muy pesada a la sierra y se aumenta el peligro de un contragolpe. Mantenga hojas extra a la mano, de manera que siempre haya hojas afiladas disponibles.

La goma y la resina endurecidas en las hojas hacen más lenta la sierra. Retire la hoja de la sierra y utilice limpiador de goma y de resina, agua caliente o queroseno para limpiar la acumulación de aquéllas. **NO UTILICE GASOLINA.**

SISTEMA DE PROTECCIÓN DE LA HOJA

Vea la figura 8, página 14.

La protección inferior montada en la sierra circular es para protegerlo a usted y para su seguridad. No la altere de ninguna forma. Si se daña, no utilice la sierra hasta que haya reparado o reemplazado la protección, según sea necesario. Siempre deje la protección en la posición de trabajo al utilizar la sierra.

PELIGRO:

Al cortar de lado a lado, la protección inferior no cubre la hoja por dicho lado de la pieza de trabajo. Puesto que la hoja queda expuesta por la parte inferior de la pieza de trabajo, mantenga las manos y los dedos alejados del área de corte. Cualquier parte del cuerpo que toque la hoja en movimiento puede resultar lesionada seriamente.

PRECAUCIÓN:

Nunca utilice la sierra cuando no esté funcionando correctamente la protección. Siempre verifique el funcionamiento de la protección cada vez antes de utilizar la herramienta. La protección funciona correctamente cuando se mueve libremente y regresa de inmediato a la posición cerrada. Si deja caer la sierra, revise la protección inferior de la hoja y el parachoques para ver si tienen daños en todos los ajustes de la profundidad antes de volver a usar la unidad.

ENCENDIDO Y APAGADO DE LA SIERRA

Vea la figura 9, página 14.

Esta sierra está equipada con una luz de trabajo que se encenderá al presionar el gatillo y se apagará al soltarlo.

Para arrancar la sierra:

- Oprima el botón del seguro de apagado.
- Oprima el gatillo del interruptor.

Siempre permita que la hoja alcance su velocidad máxima, y hasta después introdúzcala en la pieza de trabajo.

ADVERTENCIA:

Si la hoja toca la pieza de trabajo antes de alcanzar la velocidad máxima, podría causar un contragolpe de la sierra hacia usted y podría producirle lesiones graves.

FUNCIONAMIENTO

Para apagar la sierra: Suelte el gatillo del interruptor.

Después de soltar el gatillo del interruptor permita que se detenga completamente la hoja de corte. **No retire la sierra de la pieza de trabajo mientras continúe en movimiento la hoja.**

BOTÓN DEL SEGURO DE APAGADO

Vea la figura 9, página 14.

El botón del seguro de apagado reduce la posibilidad de un arranque accidental. El botón del seguro de apagado se encuentra en el mango, arriba del gatillo del interruptor. Debe oprimir el botón del seguro de apagado antes de oprimir el gatillo del interruptor. El seguro se autoengancha cada vez que se suelta el gatillo.

NOTA: El botón del seguro de apagado puede oprimirse desde cualquier lado, el izquierdo o el derecho.

AJUSTE DE LA PROFUNDIDAD DE LA HOJA

Vea la figura 10, página 14.

Siempre mantenga la hoja a un ajuste de profundidad correcto. Para todo tipo de cortes, la hoja no debe sobrepasar 1/4 pulg. (6.4 mm) por abajo de la pieza de trabajo. Cuanto mayor es la profundidad de la hoja mayor es la posibilidad de un contragolpe y de un corte áspero. Para mayor precisión de la profundidad de corte se incluye una escala en la protección superior de la hoja.

- Desajuste la palanca de bloqueo de profundidad levantando hacia arriba y hacia afuera de la base.
- Determine la profundidad de corte deseada.
- Localice la escala de profundidad de corte, en la parte posterior de la protección superior de la hoja.
- Mantenga horizontal la base contra la pieza de trabajo y suba o baje la sierra hasta que la marca indicadora se alinee con la muesca de la protección de la hoja.
- Ajuste la palanca de bloqueo de profundidad de forma segura empujándola hacia abajo y contra la base.

UTILIZACIÓN DE LA SIERRA

Vea las figuras 11 a 13, página 14.

Es importante comprender la forma correcta de utilizar la sierra. Consulte las figuras de esta sección para ver las formas correctas e incorrectas de manejar la sierra.

PELIGRO:

Al levantar la sierra de la pieza de trabajo, la hoja queda expuesta en la parte inferior de la sierra hasta que cierra la protección inferior de la hoja. Asegúrese de que la protección inferior cierre antes de dejar en reposo la sierra.

ADVERTENCIA:

Para efectuar los cortes de forma más fácil y más segura, siempre mantenga un control adecuado de la sierra. La pérdida de control podría causar un accidente, y como consecuencia posibles lesiones corporales serias.

Para efectuar el mejor corte que sea posible, siga estas útiles sugerencias.

- Sujete la sierra firmemente con ambas manos.
- Evite colocar la mano sobre la pieza de trabajo al efectuar un corte.
- Apoye la pieza de trabajo de manera que el corte (la ranura) le quede siempre al lado de usted.
- Apoye la pieza de trabajo cerca del corte.
- Utilice prensas o cualquier otro medio práctico de asegurar y sostener la pieza de trabajo en una plataforma segura que no se mueva durante el trabajo.
- Siempre coloque la sierra en la sección apoyada de la pieza de trabajo, no en la que va a desecharse.
- Coloque la pieza de trabajo con el lado “bueno” hacia abajo.
- Trace una línea guía a lo largo de la línea de corte antes de iniciar éste.

CORTES TRANSVERSALES Y AL HILO

Vea la figura 14, página 15.

Al efectuar un corte transversal recto o al hilo, alinee la línea de corte con la muesca guía 0° de la base.

Puesto que el espesor de las hojas varía, siempre efectúe un corte de prueba en material desechable a lo largo de una línea guía para determinar qué tanto debe desplazar la línea guía para producir un corte preciso.

NOTA: La distancia existente de la línea de corte a la línea guía es la distancia que debe desplazar la guía.

CORTES AL HILO

Vea la figura 15, página 15.

Al efectuar cortes al hilo largos o anchos con la sierra utilice una guía.

- Asegure la pieza de trabajo.
- Sujete una regla (pieza recta) a la pieza de trabajo mediante prensas de mano.
- Corte a lo largo de la pieza recta para lograr un corte recto al hilo.

NOTA: No permita que se atore la hoja en el corte.

ESCALA DE ANCHURA DE CORTE

Vea la figura 16, página 15.

La base de la sierra dispone de una escala de anchura de corte. Al efectuar cortes rectos transversales o al hilo, puede utilizarse la escala para medir hasta 102 mm (4 pulg.) al lado derecho de la hoja. Puede emplearse para medir hasta 25 mm (1 pulg.) al lado izquierdo de la hoja.

FUNCIONAMIENTO

CORTE A BISEL

Veá las figuras 17 y 18, páginas 15 y 16.

- Ajuste el ángulo de corte a cualquier grado deseado entre cero y 56°. Consulte el apartado **Ajuste Del Ángulo De Bisel** a continuación.
- Si desea hacer un corte con el bisel a 45°, alinee la línea de corte con la muesca guía de la hoja de 45° de la base.
- Efectúe un corte de prueba en material desechable a lo largo de una línea guía para determinar qué tanto debe desplazar la línea guía en la pieza de trabajo.

AJUSTE DEL ÁNGULO DE BISEL

Veá la figura 18, página 16.

- Afloje la perilla de fijación de bisel.
- Suba el alojamiento del motor hasta que alcance el ángulo deseado en la escala de biseles.
- Apriete firmemente la perilla de fijación de bisel.

ADVERTENCIA:

Intentar efectuar un corte a bisel sin tener la perilla de fijación del mismo apretada firmemente puede producir lesiones serias.

NOTA: Si desea hacer cortes con el bisel a 56° o más, mueva la perilla de fijación del bisel en la muesca hacia la marca de 56° en la escala del bisel y ajuste la perilla con firmeza.

FORMA DE EFECTUAR CORTES A BISEL

Veá la figura 18, página 16.

- Sujete la sierra firmemente con ambas manos, como se muestra.
- Deje descansar el borde frontal de la base en la pieza de trabajo.
- Encienda la sierra y permita a la hoja alcanzar su velocidad máxima.
- Guíe la sierra introduciéndola en la pieza de trabajo y efectúe el corte.
- Suelte el gatillo y permita que se detenga completamente la hoja de corte.
- Levante la sierra de la pieza de trabajo.

CORTE EN CAVIDAD

Veá la figura 19, página 16.

ADVERTENCIA:

Siempre ajuste el ángulo de biselado a cero antes de efectuar un corte en cavidad. Si se intenta efectuar un corte en cavidad a cualquier otro ángulo puede producirse una pérdida de control de la sierra, y por consecuencia posibles lesiones serias.

- Ajuste el ángulo de bisel a cero.
- Ajuste la hoja a la profundidad correcta.
- Suba la protección inferior de la hoja con la manija correspondiente.
NOTA: Siempre suba la protección inferior de la hoja con la manija para evitar lesiones serias.
- Sostenga la protección inferior de la hoja con la manija.

ADVERTENCIA:

Nunca extienda los dedos al tener el asidero más bajo de guardia de hoja. Extender los dedos puede tener como resultado el contacto con la hoja, por consecuencia posibles lesiones serias.

- Deje descansar la parte frontal de la base contra la pieza de trabajo, con la parte posterior del mango elevada de manera que la hoja no toque la pieza de trabajo.
- Encienda la sierra y permita a la hoja alcanzar su velocidad máxima.
- Guíe la sierra introduciéndola en la pieza de trabajo y efectúe el corte.

ADVERTENCIA:

Siempre corte avanzando hacia adelante al efectuar cortes en cavidad. Si corta retrocediendo la sierra podría subirse a la pieza de trabajo y lanzarse contra usted.

- Suelte el gatillo y permita que se detenga completamente la hoja de corte.
- Levante la sierra de la pieza de trabajo.
- Termine las esquinas con una sierra de mano o con una de vaivén.

ADVERTENCIA:

Nunca fije la protección inferior de la hoja en la posición elevada. Si se deja expuesta la hoja puede originarse lesiones serias.

AJUSTES

ADVERTENCIA:

Para evitar un arranque accidental que podría causar lesiones corporales serias, siempre desmonte de la herramienta el paquete de baterías al montarle piezas a aquélla.

TOPE DE BISEL A 0°

Veja la figura 20, página 16.

La sierra dispone de un tope de bisel a 0° ajustado en la fábrica con el fin de asegurar un ángulo de 0° al efectuar cortes a 90°.

REVISIÓN DEL TOPE DE BISEL A 0°

- Retire el paquete de baterías.
- Coloque la sierra en posición invertida sobre el banco de trabajo.
- Con una escuadra de carpintero verifique la perpendicularidad de la plato de la hoja con respecto a la base.

AJUSTE DEL TOPE DE BISEL A 0°

- Retire el paquete de baterías.
- Afloje la perilla de fijación de bisel.
- Afloje la tuerca hexagonal que fija el tornillo de ajuste.
- Gire el tornillo de ajuste y ajuste la base hasta que quede en escuadra con respecto a la hoja de la sierra.
- Apriete la tuerca hexagonal y la perilla de fijación del bisel con firmeza.

ADVERTENCIA:

Intentar efectuar un corte a bisel sin tener la perilla de fijación del mismo apretada firmemente puede producir lesiones serias.

AJUSTE DE LA PALANCA DE FIJACIÓN DE LA PROFUNDIDAD

Veja la figura 21, página 16.

Es posible que, con el tiempo, la palanca de bloqueo de profundidad se desplace de su ajuste original. Si la palanca hace contacto en forma prematura con cualquier parte de la sierra al ajustarla y aflojarla, ajuste la palanca mediante los siguientes pasos:

- Retire el paquete de baterías.
- Tire de la palanca de bloqueo de profundidad hacia afuera de la base para liberarla.
- Tire de la base de la sierra hasta la posición de mínima profundidad de corte; empuje la palanca de bloqueo de profundidad hacia abajo contra la base para ajustarla.
- Inserte un destornillador plano en el espacio entre la contratuerca y el anillo en E. Quite el anillo en E.
- Observe la posición de la palanca en la tuerca. Deslice la palanca de bloqueo de profundidad para quitarla de la porción hexagonal de la tuerca de seguridad.
- La contratuerca tiene seis lados planos. Rote la palanca de bloqueo de profundidad un “lado plano” en sentido horario alrededor de la tuerca. Luego, vuelva a deslizarla para introducirla en la porción hexagonal.
- Presione el anillo en E para volver a colocarlo en la ranura de la contratuerca hasta que se encastre en su lugar. Tenga cuidado para evitar que el anillo en E no se salga de la contratuerca.
- Afloje la palanca de bloqueo de profundidad, vuelva la base a la posición de profundidad de corte deseada y bloquee el ajuste de profundidad; para hacerlo, presione la palanca de bloqueo de profundidad hacia abajo. La base debería quedar firmemente sujeta cuando está bloqueada y moverse libremente cuando no lo está.

MANTENIMIENTO

ADVERTENCIA:

Al dar servicio a la unidad, sólo utilice piezas de repuesto idénticas. El empleo de piezas diferentes puede causar un peligro o dañar el producto.

ADVERTENCIA:

Siempre póngase protección ocular con protección lateral con la marca de cumplimiento de la norma ANSI Z87.1. Si no cumple esta advertencia, los objetos que salen despedidos puede producirle lesiones serias en los ojos.

ADVERTENCIA:

Para evitar lesiones corporales serias, siempre retire el paquete de baterías de la herramienta al limpiarla o darle mantenimiento.

MANTENIMIENTO GENERAL

Evite el empleo de solventes al limpiar piezas de plástico. La mayoría de los plásticos son susceptibles a diferentes tipos de solventes comerciales y pueden resultar dañados. Utilice paños limpios para eliminar la suciedad, el polvo, el aceite, la grasa, etc.

ADVERTENCIA:

No permita en ningún momento que fluidos para frenos, gasolina, productos a base de petróleo, aceites penetrantes, etc., lleguen a tocar las piezas de plástico. Las sustancias químicas pueden dañar, debilitar o destruir el plástico, lo cual a su vez puede producir lesiones corporales serias.

ACCESORIOS

Busque estos accesorios en la misma tienda en la que adquirió este producto o llame al 1-800-525-2579:

- Hoja de 184 mm (7-1/4 pulg.) de corte delgado682130001
- Guía de cantos204585001

ADVERTENCIA:

Arriba se señalan los aditamentos y accesorios disponibles para usarse con este producto. No utilice ningún aditamento o accesorio no recomendado por el fabricante de este producto. El empleo de aditamentos o accesorios no recomendados podría causar lesiones serias.

P508/P508VN

- A - Lock-off button (bouton de verrouillage, botón del seguro de apagado)
- B - Switch trigger (gâchette de commutateur, gatillo del interruptor)
- C - Blade wrench storage area (rangement de clé de lame, área de guardar la llave de la hoja)
- D - Depth lock lever (levier de verrouillage de la profondeur, palanca de bloqueo de profundidad)
- E - Width of cut scale (échelle de largeur de la coupe, escala de anchura)
- F - Bevel lock knob (bouton de verrouillage de biseau, perilla de fijación del bisel)
- G - Worklight (worklight, worklight)

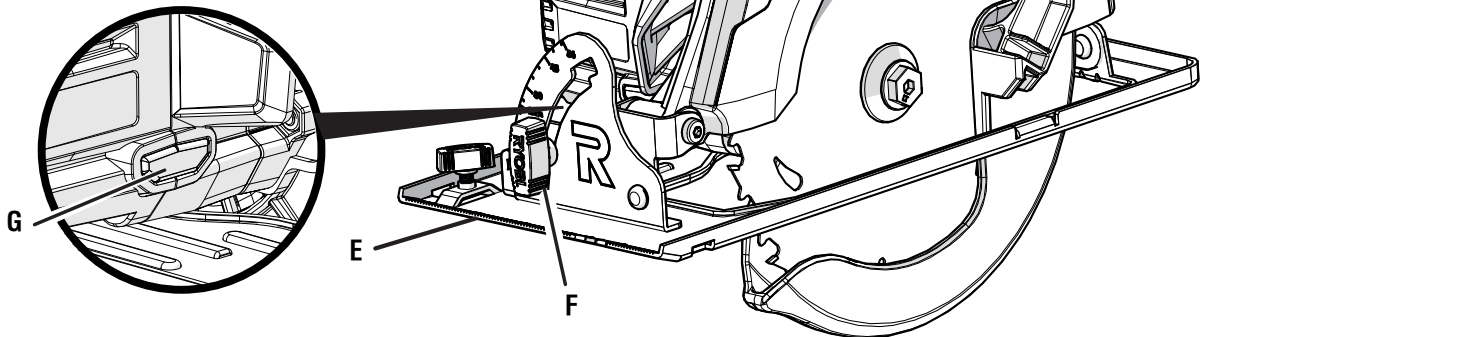
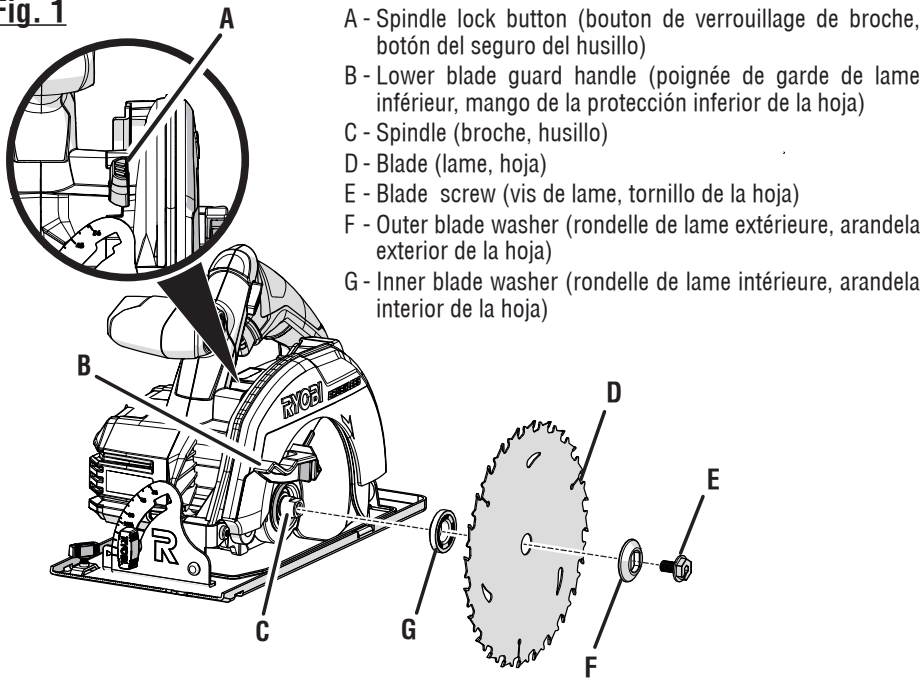
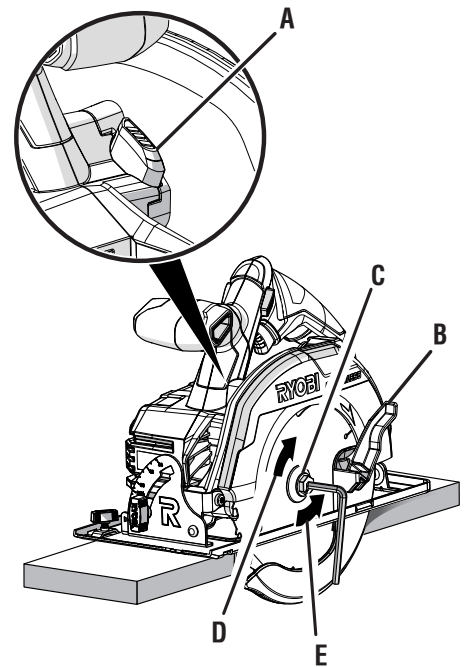


Fig. 1



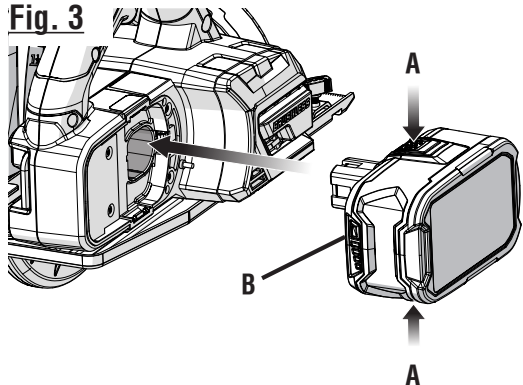
- A - Spindle lock button (bouton de verrouillage de broche, botón del seguro del husillo)
- B - Lower blade guard handle (poignée de garde de lame inférieur, mango de la protección inferior de la hoja)
- C - Spindle (broche, husillo)
- D - Blade (lame, hoja)
- E - Blade screw (vis de lame, tornillo de la hoja)
- F - Outer blade washer (rondelle de lame extérieure, arandela exterior de la hoja)
- G - Inner blade washer (rondelle de lame intérieure, arandela interior de la hoja)

Fig. 2



- A - Spindle lock (verrouillage de broche, husillo con seguro)
- B - Lower blade guard lever (levier de garde de lame inférieur, palanca de la protección inferior de la hoja)
- C - Blade screw (vis de lame, tornillo de la hoja)
- D - To loosen (pour desserrer, para aflojar)
- E - To tighten (pour serrer, para apretar)

Fig. 3



- A - Depress latches to remove battery pack (appuyer sur les loquets pour libérer le bloc-piles, para soltar el paquete de baterías, oprima los pestillos)
- B - Battery pack (bloc-piles, paquete de baterías)

Fig. 4

**KICKBACK -
BLADE SET TOO DEEP
(REBOND -
PROFONDEUR DE COUPE
EXCESSIVE,
CONTRAGOLPE - LA HOJA
SE AJUSTO MUY
PROFUNDA)**

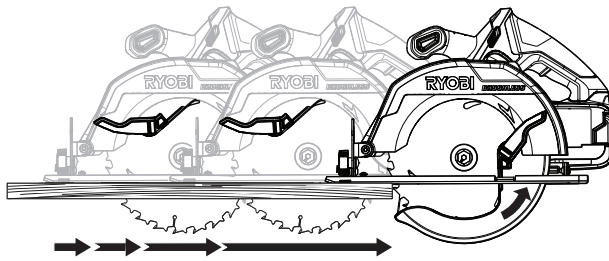
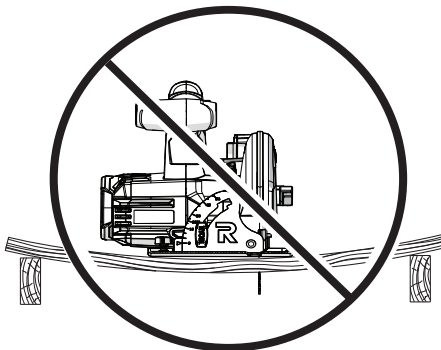


Fig. 5

**INCORRECT SUPPORT
(SUPPORT INCORRECT,
SOPORTE INCORRECTO)**



**WRONG
(MAL, INCORRECTO)**

Fig. 6

**CORRECT BLADE DEPTH SETTING =
BLADE EXPOSED 1/4 in. (6.35 mm) OR
LESS ON UNDERSIDE OF WORKPIECE**

**(RÉGLAGE DE PROFONDEUR DE COUPE
CORRECT = LA LAME DÉPASSE DE
1/4 PO (6,35 MM) OU MOINS
AU-DESSOUS DE LA PIÈCE,
AJUSTE CORRECTO DE LA
PROFUNDIDAD DE LA HOJA = HOJA
EXPUESTA 1/4 PULG.
(6,35 MM) O MENOS BAJO LA PIEZA
DE TRABAJO)**

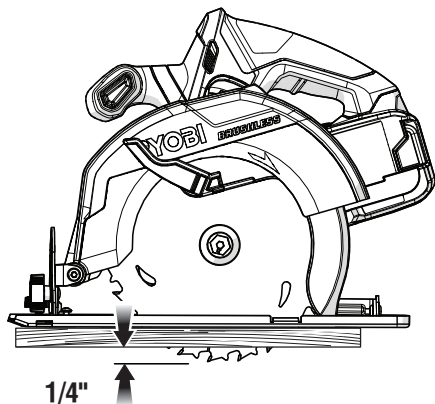


Fig. 7

**CORRECT SUPPORT
(SUPPORT CORRECT,
SOPORTE CORRECTO)**

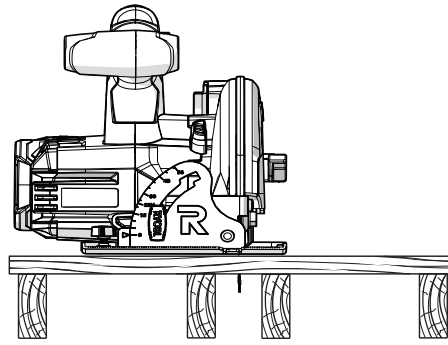
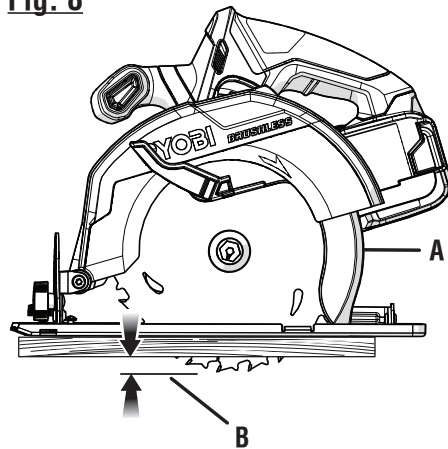


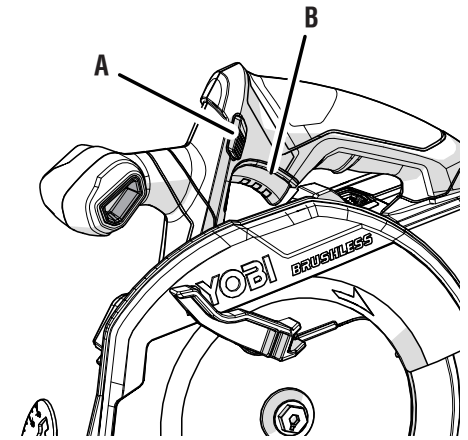
Fig. 8



**A - Lower blade guard is in up position when
making a cut (pendant la coupe, la garde
inférieure est relevée, la protección inferior
de la hoja está en la posición elevada al
efectuarse cortes)**

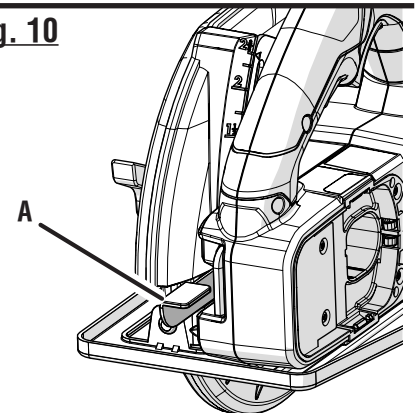
**B - Blade exposed on underside of workpiece
(lame dépassant au-dessous de la pièce,
porción expuesta de la hoja bajo la pieza
de trabajo)**

Fig. 9



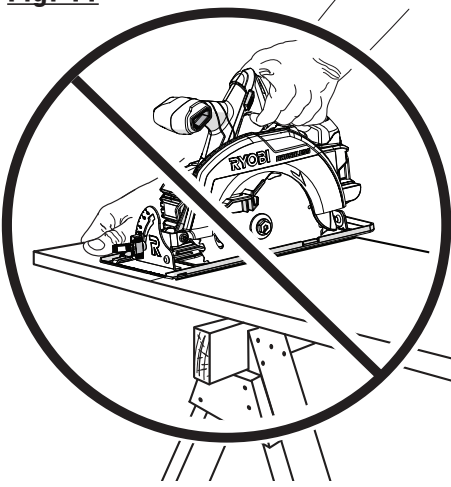
**A - Lock-off button (bouton de verrouillage,
botón del seguro de apagado)
B - Switch trigger (gâchette de commutateur,
gatillo del interruptor)**

Fig. 10



**A - Depth lock lever (bouton de verrouillage
de profondeur, perilla de fijación de
profundidad)**

Fig. 11



**WRONG
(MAL, INCORRECTO)**

Fig. 12

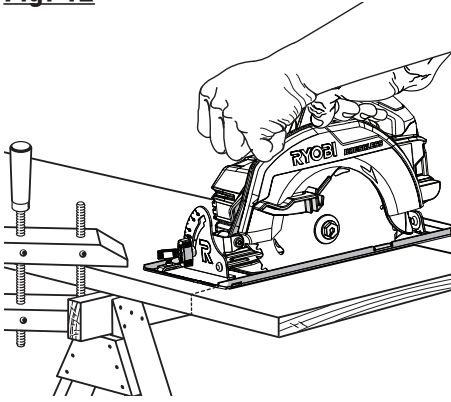
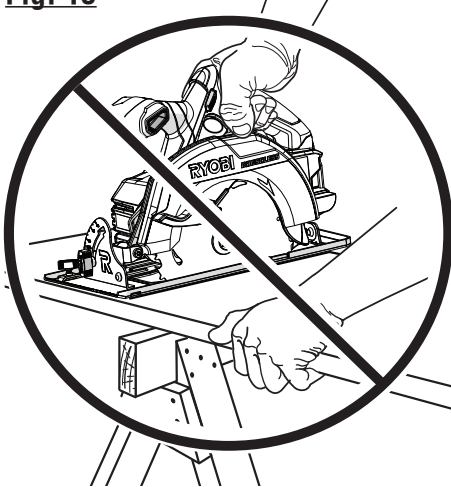


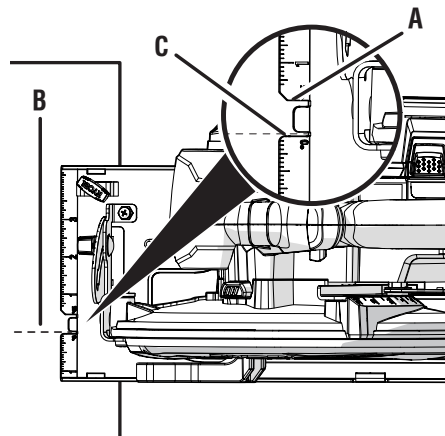
Fig. 13



**WRONG
(MAL, INCORRECTO)**

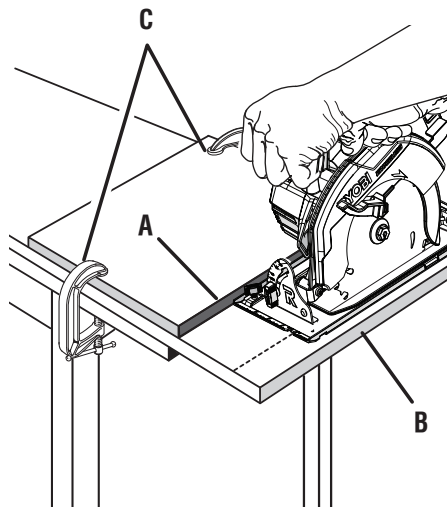
Fig. 14

**TOP VIEW OF SAW
(VUE SUPÉRIEURE DE SCIE,
VISTA SUPERIOR DE LA SIERRA)**



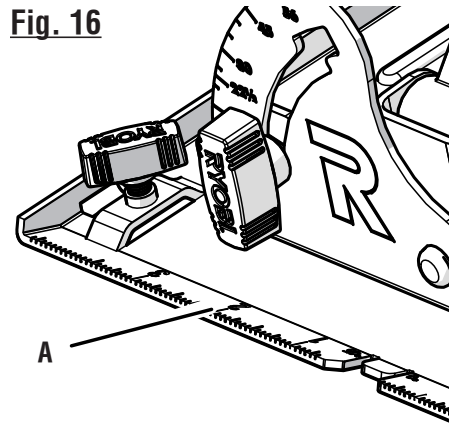
A - 45° blade guide notch (encoche guide de lame de 45°, muesca guía de la hoja de 45°)
B - Guideline (ligne de coupe, línea guía)
C - 0° blade guide notch (encoche guide de lame de 0°, muesca guía de la hoja de 0°)

Fig. 15



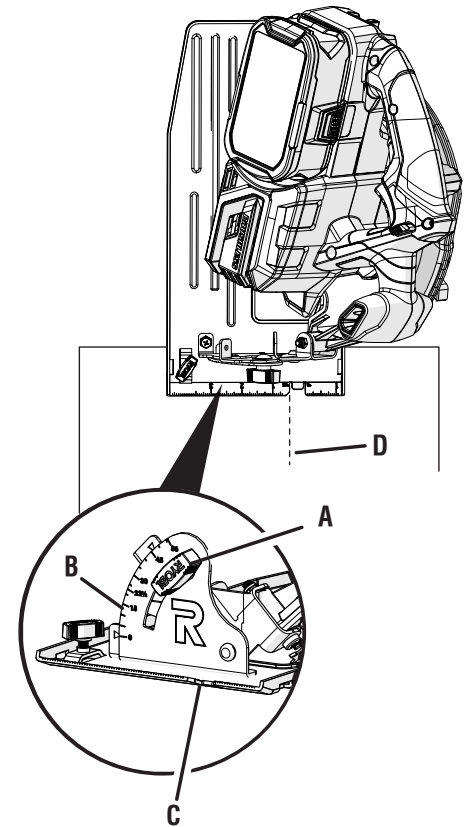
A - Straight edge (règle, regla)
B - Workpiece (pièce, pieza de trabajo)
C - C-Clamp (serre-joint, prensa en C)

Fig. 16



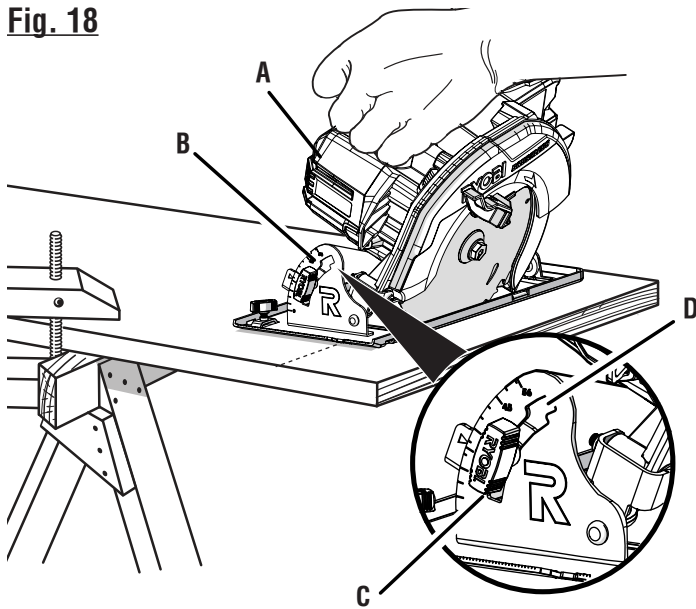
A - Width of cut scale (échelle de largeur de la coupe, ancho de corte)

Fig. 17



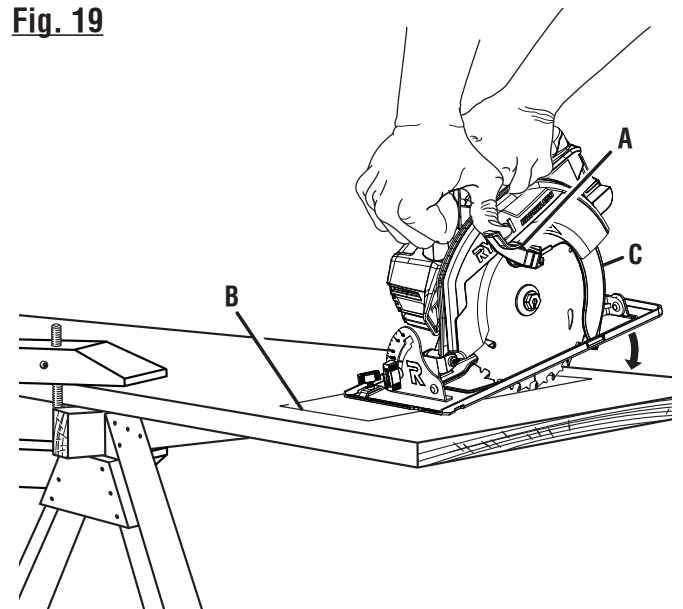
A - Bevel lock knob (bouton de verrouillage de biseau, perilla de fijación del biseau)
B - Bevel scale (échelle de biseau, escala de bisel)
C - 45° blade guide notch (encoche guide de lame de 45°, muesca guía de la hoja de 45°)
D - Guideline (ligne de coupe, línea guía)

Fig. 18



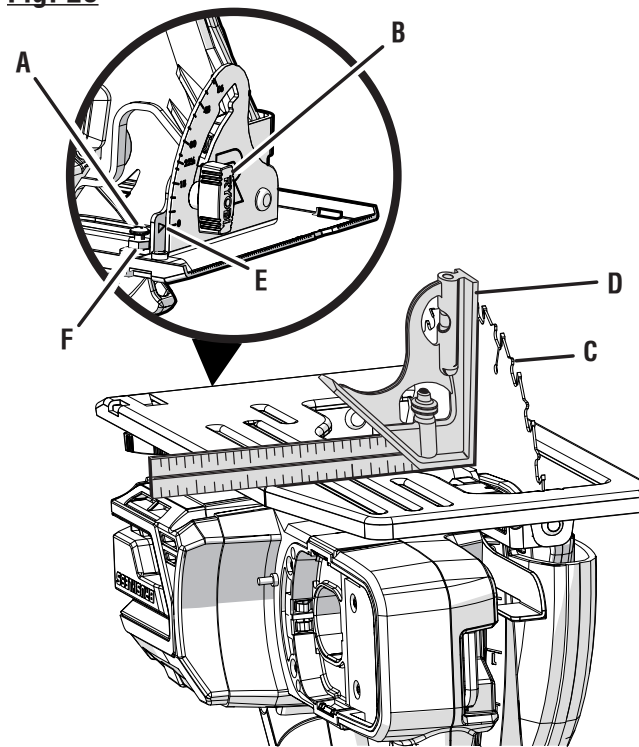
- A - Motor housing (boîtier du moteur, alojamiento del motor)
- B - Bevel scale (échelle de biseau, escala de bisel)
- C - Bevel lock knob (bouton de verrouillage de biseau, perilla de fijación del bisel)
- D - Notch (notch, notch)

Fig. 19



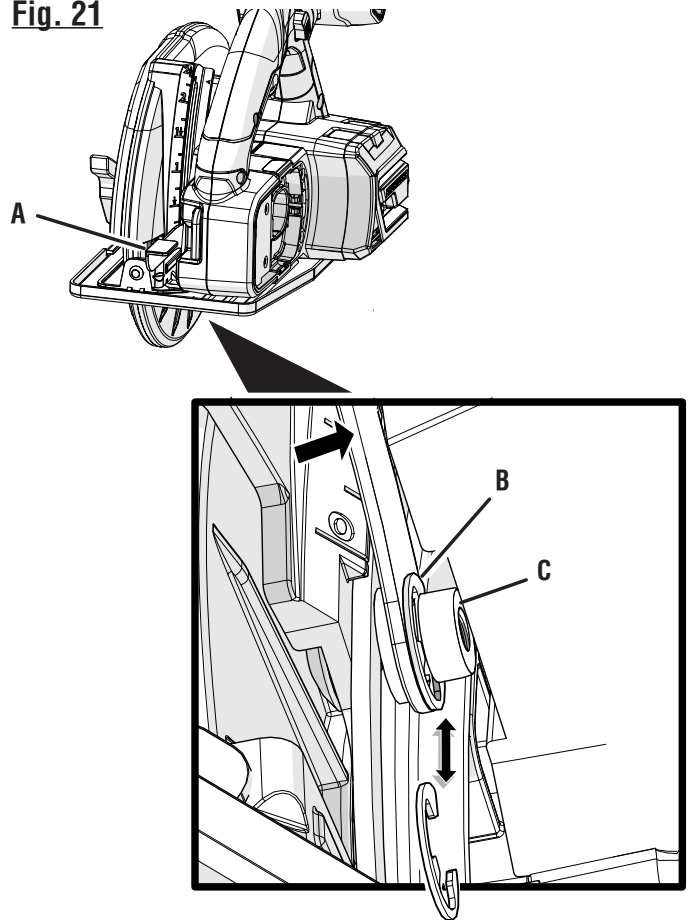
- A - Lower blade guard handle (poignée de garde de lame inférieure, manija de la protección inferior de la hoja)
- B - Pocket cut (évidement, corte en cavidad)
- C - Lower blade guard (garde de lame inférieure, protección inferior de la hoja)

Fig. 20



- A - Adjustment screw (vis de réglage, tornillo de ajuste)
- B - Bevel lock knob (bouton de verrouillage de biseau, perilla de fijación del bisel)
- C - Blade (lame, hoja)
- D - Carpenter's square (équerre de charpentier, escuadra de carpintero)
- E - Positive 0° bevel stop (butée fixe de biseau à 0°, tope de bisel à 0°)
- F - Hex nut (écrous à six pans, tuerca hexagonal)

Fig. 21



- A - Depth lock lever (depth lock lever, depth lock lever)
- B - E-ring (E-ring, E-ring)
- C - Lock nut (lock nut, lock nut)



OPERATOR'S MANUAL / 7-1/4 in. 18 VOLT BRUSHLESS CIRCULAR SAW
MANUEL D'UTILISATION / SCIE CIRCULAIRE À MOTEUR SANS BALAI DE 184 mm
(7-1/4 po) 18 V
MANUAL DEL OPERADOR / SIERRA CIRCULAR SIN ESCOBILLAS DE 184 mm
(7-1/4 pulg.) 18 V
P508/P508VN

To request service, purchase replacement parts,
locate an Authorized Service Center and obtain Customer or Technical Support:

Visit **www.ryobitools.com** or call **1-800-525-2579**

If any parts or accessories are damaged or missing,
do not return this product to the store. Call **1-800-525-2579** for immediate service.

Please obtain your model and serial number from the product data plate.
This product is covered under a 3-year limited Warranty. Proof of purchase is required.

MODEL NUMBER _____ SERIAL NUMBER _____

RYOBI is a registered trademark of Ryobi Limited and is used pursuant to a license granted by Ryobi Limited.

Pour faire une demande de réparations ou obtenir des pièces de rechange, trouver un
Centre de réparations agréé pour obtenir un soutien technique ou le Service à la clientèle :

Visiter **www.ryobitools.com** ou en téléphonant au **1-800-525-2579**

Si des pièces ou accessoires sont manquantes ou endommagées, ne pas retourner
ce produit au magasin. Appeler immédiatement au **1-800-525-2579** pour obtenir de l'aide.

Inscrire les numéros de modèle et de série inscrits sur la plaque d'identification du produit.
Ce produit est couvert par une garantie limitée de trois (3) ans. Une preuve d'achat est exigée.

NUMÉRO DE MODÈLE _____ NUMÉRO DE SÉRIE _____

RYOBI est une marque déposée de Ryobi Limited et est utilisée en vertu d'une licence accordée par Ryobi Limited.

Para obtener servicio, comprar piezas de repuesto, localizar un centro de servicio autorizado
y obtener Servicio o Asistencia Técnica al Consumidor:

Visite **www.ryobitools.com** (en la EE.UU.) o **www.ryobitools.mx** (en México)
o llame al **1-800-525-2579** (en la EE.UU.) o **01-800-843-1111** (en México).

Si hay alguna pieza o accesorios dañada o faltante, no devuelva este producto a la tienda.
Llame al **1-800-525-2579** (en la EE.UU.) o **01-800-843-1111** (en México) para servicio técnico inmediato.

Obtenga su modelo y número de serie de la placa de datos del producto.
Este producto está cubierto con una garantía limitada de 3 años. Se solicita prueba de la compra.

NÚMERO DE MODELO _____ NÚMERO DE SERIE _____

RYOBI es una marca registrada de Ryobi Limited y se utiliza conforme a una licencia otorgada por Ryobi Limited.

ONE WORLD TECHNOLOGIES, INC.

1428 Pearman Dairy Road, Anderson, SC 29625 • Phone 1-800-525-2579
États-Unis, Téléphone 1-800-525-2579 • USA, Teléfono 1-800-525-2579

www.ryobitools.com