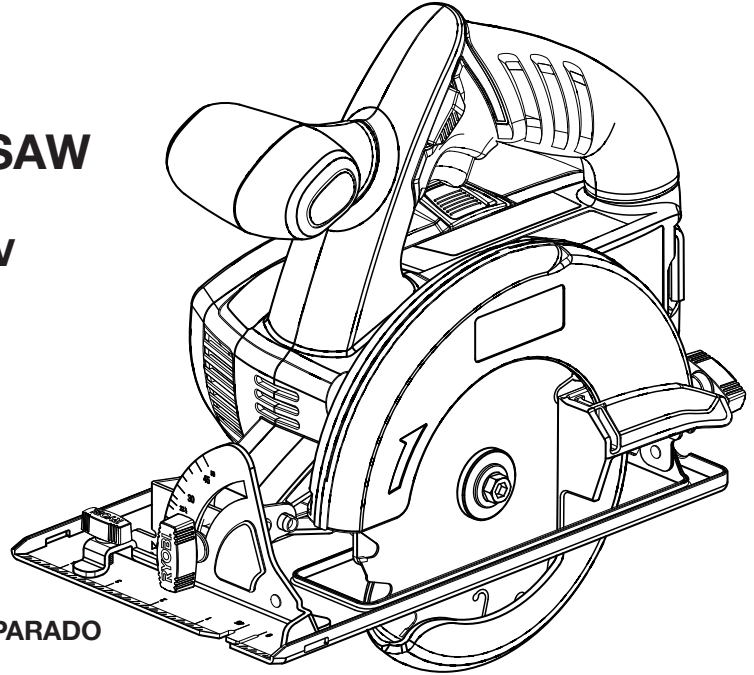




OPERATOR'S MANUAL

MANUEL D'UTILISATION
MANUAL DEL OPERADOR

5-1/2 IN. 18 VOLT CIRCULAR SAW SCIE CIRCULAIRE DE (5-1/2 po) 18 V SIERRA CIRCULAR DE (5-1/2 pulg.) 18 V P503



ACCEPTS ALL ONE+ BATTERY PACKS
COMPATIBLE AVEC TOUS LE PILES ONE+
ACEPTA TODOS LOS PAQUETES DE BATERÍAS ONE+

BATTERIES AND CHARGERS SOLD SEPARATELY
PILES ET CHARGEURS VENDUS SÉPARÉMENT
LAS BATERÍAS Y CARGADORES SE VENDEN POR SEPARADO

Your saw has been engineered and manufactured to our high standard for dependability, ease of operation, and operator safety. When properly cared for, it will give you years of rugged, trouble-free performance.

WARNING: To reduce the risk of injury, the user must read and understand the operator's manual before using this product.

Thank you for your purchase.

SAVE THIS MANUAL FOR FUTURE REFERENCE

Cette scie circulaire a été conçue et fabriquée conformément à nos strictes normes de fiabilité, simplicité d'emploi et sécurité d'utilisation. Correctement entretenu, cet outil vous donnera des années de fonctionnement robuste et sans problème.

AVERTISSEMENT : Pour réduire les risques de blessures, l'utilisateur doit lire et veiller à bien comprendre le manuel d'utilisation avant d'employer ce produit.

Merci de votre achat.

**CONSERVER CE MANUEL POUR
FUTURE RÉFÉRENCE**

Su sierra circular ha sido diseñado y fabricado de conformidad con nuestras estrictas normas para brindar fiabilidad, facilidad de uso y seguridad para el operador. Con el debido cuidado, le brindará muchos años de sólido funcionamiento y sin problemas.

ADVERTENCIA: Para reducir el riesgo de lesiones, el usuario debe leer y comprender el manual del operador antes de usar este producto.

Le agradecemos su compra.

**GUARDE ESTE MANUAL PARA
FUTURAS CONSULTAS**

TABLE OF CONTENTS

■ Introduction	2
■ Warranty	2
■ General Safety Rules	3-4
■ Specific Safety Rules.....	4-5
■ Symbols.....	6
■ Features.....	7
■ Assembly	7-8
■ Operation.....	9-12
■ Adjustments.....	13
■ Maintenance.....	13-14
■ Accessories	14
■ Figure numbers (illustrations)	15-17
■ Parts Ordering / Service	Back Page

INTRODUCTION

This product has many features for making its use more pleasant and enjoyable. Safety, performance, and dependability have been given top priority in the design of this product making it easy to maintain and operate.

WARRANTY

RYOBI® POWER TOOL - LIMITED TWO YEAR WARRANTY AND 30 DAY EXCHANGE POLICY

One World Technologies, Inc., warrants its RYOBI® power tools with the following conditions:

30-DAY EXCHANGE POLICY: During the first 30 days after date of purchase, you may either request service under this warranty or you may exchange any RYOBI® power tool which does not work properly due to defective workmanship or materials by returning the power tool to the dealer from which it was purchased. To receive a replacement power tool or requested warranty service, you must present proof of purchase and return all original equipment packaged with the original product. The replacement power tool will be covered by the limited warranty for the balance of the two year period from the date of the original purchase.

WHAT THIS WARRANTY COVERS: This warranty covers all defects in workmanship or materials in your RYOBI® power tool for a period of two years from the date of purchase. With the exception of batteries, power tool accessories are warranted for ninety (90) days. Batteries are warranted for two years.

HOW TO GET SERVICE: Just return the power tool, properly packaged and postage prepaid, to an Authorized Service Center. You can obtain the location of the Service Center nearest you by contacting a service representative at One World Technologies, Inc., P.O. Box 1207, Anderson, SC 29622-1207, by calling 1-800-525-2579 or by logging on to www.ryobitools.com. When you request warranty service, you must also present proof of purchase documentation, which includes the date of purchase (for example, a bill of sale). We will repair any faulty workmanship, and either repair or replace any defective part, at our option. We will do so without any charge to you. We will complete the work in a reasonable time, but, in any case, within ninety (90) days or less.

WHAT'S NOT COVERED: This warranty applies only to the original purchaser at retail and may not be transferred. This warranty only covers defects arising under normal usage and does not cover any malfunction, failure or defects resulting from misuse, abuse, neglect, alteration, modification or repairs by other than Authorized Service Centers. One World Technologies, Inc. makes no warranties, representations or promises as to the quality or performance of its power tools other than those specifically stated in this warranty.

ADDITIONAL LIMITATIONS: Any implied warranties granted under state law, including warranties of merchantability or fitness for a particular purpose, are limited to two years from the date of purchase. One World Technologies, Inc. is not responsible for direct, indirect, or incidental damages, so the above limitations and exclusions may not apply to you. This warranty gives you specific legal rights, and you may also have other rights which vary from state to state.

GENERAL SAFETY RULES

WARNING!

Read all instructions. Failure to follow all instructions listed below may result in electric shock, fire and/or serious injury. The term “power tool” in all of the warnings listed below refers to your mains-operated (corded) power tool or battery-operated (cordless) power tool.

SAVE THESE INSTRUCTIONS

WORK AREA SAFETY

- **Keep work area clean and well lit.** Cluttered or dark areas invite accidents.
- **Do not operate power tools in explosive atmospheres, such as in the presence of flammable liquids, gases or dust.** Power tools create sparks which may ignite the dust or fumes.
- **Keep children and bystanders away while operating a power tool.** Distractions can cause you to lose control.

ELECTRICAL SAFETY

- **Power tool plugs must match the outlet. Never modify the plug in any way. Do not use any adapter plugs with earthed (grounded) power tools.** Unmodified plugs and matching outlets will reduce risk of electric shock.
- **Avoid body contact with earthed or grounded surfaces such as pipes, radiators, ranges and refrigerators.** There is an increased risk of electric shock if your body is earthed or grounded.
- **Do not expose power tools to rain or wet conditions.** Water entering a power tool will increase the risk of electric shock.
- **When operating a power tool outdoors, use an extension cord suitable for outdoor use.** Use of a cord suitable for outdoor use reduces the risk of electric shock.
- **Use battery only with charger listed.** For use with 18V nickel-cadmium and 18V lithium-ion battery packs, see tool/appliance/battery pack/charger correlation supplement 987000-432.

PERSONAL SAFETY

- **Stay alert, watch what you are doing and use common sense when operating a power tool. Do not use a power tool while you are tired or under the influence of drugs, alcohol or medication.** A moment of inattention while operating power tools may result in serious personal injury.
- **Use safety equipment. Always wear eye protection.** Safety equipment such as dust mask, non-skid safety shoes, hard hat, or hearing protection used for appropriate conditions will reduce personal injuries.
- **Avoid accidental starting. Ensure the switch is in the off-position before plugging in.** Carrying power tools with your finger on the switch or plugging in power tools that have the switch on invites accidents.

- **Remove any adjusting key or wrench before turning the power tool on.** A wrench or a key left attached to a rotating part of the power tool may result in personal injury.
- **Do not overreach. Keep proper footing and balance at all times.** This enables better control of the power tool in unexpected situations.
- **Dress properly. Do not wear loose clothing or jewelry. Keep your hair, clothing and gloves away from moving parts.** Loose clothes, jewelry or long hair can be caught in moving parts.
- **If devices are provided for the connection of dust extraction and collection facilities, ensure these are connected and properly used.** Use of these devices can reduce dust-related hazards.
- **Do not wear loose clothing or jewelry. Contain long hair.** Loose clothes, jewelry, or long hair can be drawn into air vents.
- **Do not use on a ladder or unstable support.** Stable footing on a solid surface enables better control of the power tool in unexpected situations.

POWER TOOL USE AND CARE

- **Do not force the power tool. Use the correct power tool for your application.** The correct power tool will do the job better and safer at the rate for which it was designed.
- **Do not use the power tool if the switch does not turn it on and off.** Any power tool that cannot be controlled with the switch is dangerous and must be repaired.
- **Disconnect the plug from the power source and/or the battery pack from the power tool before making any adjustments, changing accessories, or storing power tools.** Such preventive safety measures reduce the risk of starting the power tool accidentally.
- **Store idle power tools out of the reach of children and do not allow persons unfamiliar with the power tool or these instructions to operate the power tool.** Power tools are dangerous in the hands of untrained users.
- **Maintain power tools. Check for misalignment or binding of moving parts, breakage of parts and any other condition that may affect the power tool's operation. If damaged, have the power tool repaired before use.** Many accidents are caused by poorly maintained power tools.
- **Keep cutting tools sharp and clean.** Properly maintained cutting tools with sharp cutting edges are less likely to bind and are easier to control.

GENERAL SAFETY RULES

- **Use the power tool, accessories and tool bits etc., in accordance with these instructions and in the manner intended for the particular type of power tool, taking into account the working conditions and the work to be performed.** Use of the power tool for operations different from those intended could result in a hazardous situation.

BATTERY TOOL USE AND CARE

- **Ensure the switch is in the off position before inserting battery pack.** Inserting the battery pack into power tools that have the switch on invites accidents.
- **Recharge only with the charger specified by the manufacturer.** A charger that is suitable for one type of battery pack may create a risk of fire when used with another battery pack.
- **Use power tools only with specifically designated battery packs.** Use of any other battery packs may create a risk of injury and fire.
- **When battery pack is not in use, keep it away from other metal objects like paper clips, coins, keys, nails, screws, or other small metal objects that can make a**

connection from one terminal to another. Shorting the battery terminals together may cause burns or a fire.

- **Under abusive conditions, liquid may be ejected from the battery, avoid contact. If contact accidentally occurs, flush with water. If liquid contacts eyes, additionally seek medical help.** Liquid ejected from the battery may cause irritation or burns.

SERVICE

- **Have your power tool serviced by a qualified repair person using only identical replacement parts.** This will ensure that the safety of the power tool is maintained.



WARNING!

To reduce the risk of injury, user must read instruction manual.

- **When servicing a power tool, use only identical replacement parts. Follow instructions in the Maintenance section of this manual.** Use of unauthorized parts or failure to follow Maintenance instructions may create a risk of shock or injury.

SPECIFIC SAFETY RULES

- **DANGER! Keep hands away from cutting area and the blade. Keep your second hand on auxiliary handle or motor housing.** If both hands are holding the saw, they cannot be cut by the blade.
- **Do not reach underneath the workpiece.** The guard cannot protect you from the blade below the workpiece.
- **Adjust the cutting depth to the thickness of the workpiece.** Less than a full tooth of the blade teeth should be visible below the workpiece.
- **Never hold piece being cut in your hands or across your leg. Secure the workpiece to a stable platform.** It is important to support the work properly to minimize body exposure, blade binding, or loss of control.
- **Hold tool by insulated gripping surfaces when performing an operation where the cutting tool may contact hidden wiring or its own cord.** Contact with a “live” wire will make exposed metal parts of the tool “live” and shock the operator.
- **When ripping, always use a rip fence or straight edge guide.** This improves the accuracy of cut and reduces the chance of blade binding.
- **Always use blades with correct size and shape (diamond versus round) of arbor holes.** Blades that do not match the mounting hardware of the saw will run eccentrically, causing loss of control.
- **Never use damaged or incorrect blade washers or bolt.** The blade washers and bolt were specially designed for your saw for optimum performance and safety of operation.

- **Do not crush, drop or damage battery pack. Do not use a battery pack or charger that has been dropped or received a sharp blow.** A damaged battery is subject to explosion. Properly dispose of a dropped or damaged battery immediately.
- **If the power supply cord is damaged, it must be replaced only by the manufacturer or by an authorized service center to avoid risk.**

CAUSES AND OPERATOR PREVENTION OF KICKBACK:

Kickback is a sudden reaction to a pinched, bound, or misaligned saw blade, causing an uncontrolled saw to lift up and out of the workpiece toward the operator.

When the blade is pinched or bound tightly by the kerf closing down, the blade stalls and the motor reaction drives the unit rapidly back toward the operator.

If the blade becomes twisted or misaligned in the cut, the teeth at the back edge of the blade can dig into the top surface of the wood causing the blade to climb out of the kerf and jump back toward the operator.

Kickback is the result of saw misuse and/or incorrect operating procedures or conditions and can be avoided by taking proper precautions, as given below:




- **Maintain a firm grip with both hands on the saw and position your arms to resist kickback forces. Position your body to either side of the blade, but not in line with the blade.** Kickback could cause the saw to jump backwards, but kickback forces can be controlled by the operator, if proper precautions are taken.

SPECIFIC SAFETY RULES








- **When blade is binding, or when interrupting a cut for any reason, release the trigger and hold the saw motionless in the material until the blade comes to a complete stop. Never attempt to remove the saw from the work or pull the saw backward while the blade is in motion, or kickback may occur.** Investigate and take corrective actions to eliminate the cause of blade binding.
 - **When restarting a saw in the workpiece, center the saw blade in the kerf and check that saw teeth are not engaged into the material.** If saw blade is binding, it may walk up or kickback from the workpiece as the saw is restarted.
 - **Support large panels to minimize the risk of blade pinching and kickback.** Large panels tend to sag under their own weight. Supports must be placed under the panel on both sides, near the line of cut and near the edge of the panel.
 - **Do not use dull or damaged blades.** Unsharpened or improperly set blades produce narrow kerf causing excessive friction, blade binding and kickback.
 - **Blade depth and bevel adjusting locking levers must be tight and secure before making cut.** If blade adjustment shifts while cutting, it may cause binding and kickback.
 - **Use extra caution when making a “plunge cut” into existing walls or other blind areas.** The protruding blade may cut objects that can cause kickback.
 - **Check lower guard for proper closing before each use. Do not operate saw if lower guard does not move freely and close instantly. Never clamp or tie the lower guard into the open position.** If saw is accidentally dropped, lower guard may be bent. Raise the lower guard with the retracting handle. Make sure it moves freely and does not touch the blade or any other part, in all angles and depths of cut.
 - **Check the operation of the lower guard spring. If the guard and the spring are not operating properly, they must be serviced before use.** Lower guard may operate sluggishly due to damaged parts, gummy deposits, or a buildup of debris.
 - **Lower guard should be retracted manually only for special cuts, such as “plunge cuts” and “compound cuts.” Raise lower guard by retracting handle. As soon as blade enters the material, the lower guard must be released.** For all other sawing, the lower guard should operate automatically.
 - **Always observe that the lower guard is covering the blade before placing saw down on bench or floor.** An unprotected, coasting blade will cause the saw to walk backwards, cutting whatever is in its path. Be aware of the time it takes for the blade to stop after switch is released.
 - **Know your power tool. Read operator’s manual carefully. Learn its applications and limitations, as well as the specific potential hazards related to this power tool.** Following this rule will reduce the risk of electric shock, fire, or serious injury.
 - **Always wear eye protection marked to comply with ANSI Z87.1.** Following this rule will reduce the risk of serious personal injury.
 - **Protect your lungs. Wear a face or dust mask if the operation is dusty.** Following this rule will reduce the risk of serious personal injury.
 - **Protect your hearing. Wear hearing protection during extended periods of operation.** Following this rule will reduce the risk of serious personal injury.
 - **Battery tools do not have to be plugged into an electrical outlet; therefore, they are always in operating condition.** Be aware of possible hazards when not using your battery tool or when changing accessories. Following this rule will reduce the risk of electric shock, fire, or serious personal injury.
- ### ADDITIONAL SAFETY RULES
- **Check damaged parts. Before further use of the tool, a guard or other part that is damaged should be carefully checked to determine that it will operate properly and perform its intended function. Check for alignment of moving parts, binding of moving parts, breakage of parts, mounting, and any other conditions that may affect its operation. A guard or other part that is damaged should be properly repaired or replaced by an authorized service center.** Following this rule will reduce the risk of shock, fire, or serious injury.
 - **Inspect for and remove all nails from lumber before using this tool.** Following this rule will reduce the risk of serious personal injury.
 - **Do not operate tool while under the influence of drugs, alcohol, or any medication.** Following this rule will reduce the risk of electric shock, fire, or serious personal injury.
 - **Do not place battery tools or their batteries near fire or heat.** This will reduce the risk of explosion and possibly injury.
 - **Batteries can explode in the presence of a source of ignition, such as a pilot light.** To reduce the risk of serious personal injury, never use any cordless product in the presence of open flame. An exploded battery can propel debris and chemicals. If exposed, flush with water immediately.
 - **Do not charge battery tool in a damp or wet location.** Following this rule will reduce the risk of electric shock.
 - **For best results, your battery tool should be charged in a location where the temperature is more than 50°F but less than 100°F. Do not store outside or in vehicles.**
 - **Under extreme usage or temperature conditions, battery leakage may occur. If liquid comes in contact with your skin, wash immediately with soap and water. If liquid gets into your eyes, flush them with clean water for at least 10 minutes, then seek immediate medical attention.** Following this rule will reduce the risk of serious personal injury.
 - **Save these instructions.** Refer to them frequently and use them to instruct others who may use this tool. If you loan someone this tool, loan them these instructions also to prevent misuse of the product and possible injury.

SYMBOLS

The following signal words and meanings are intended to explain the levels of risk associated with this product.

SYMBOL	SIGNAL	MEANING
	DANGER:	Indicates an imminently hazardous situation, which, if not avoided, will result in death or serious injury.
	WARNING:	Indicates a potentially hazardous situation, which, if not avoided, could result in death or serious injury.
	CAUTION:	Indicates a potentially hazardous situation, which, if not avoided, may result in minor or moderate injury.
	CAUTION:	(Without Safety Alert Symbol) Indicates a situation that may result in property damage.

Some of the following symbols may be used on this product. Please study them and learn their meaning. Proper interpretation of these symbols will allow you to operate the product better and safer.

SYMBOL	NAME	DESIGNATION/EXPLANATION
	Safety Alert	Indicates a potential personal injury hazard.
	Read The Operator's Manual	To reduce the risk of injury, user must read and understand operator's manual before using this product.
	Eye Protection	Always wear eye protection with side shields marked to comply with ANSI Z87.1.
	Direct Current	Type or a characteristic of current
n_0	No Load Speed	Rotational speed, at no load
.../min	Per Minute	Revolutions, strokes, surface speed, orbits etc., per minute
	Wet Conditions Alert	Do not expose to rain or use in damp locations.
	No Hands Symbol	Failure to keep your hands away from the blade will result in serious personal injury.
	Recycle Symbols	This product uses nickel-cadmium (Ni-Cd) and lithium-ion (Li-ion) batteries. Local, state or federal laws may prohibit disposal of batteries in ordinary trash. Consult your local waste authority for information regarding available recycling and/or disposal options.
V	Volts	Voltage
A	Amperes	Current
Hz	Hertz	Frequency (cycles per second)
min	Minutes	Time

FEATURES

PRODUCT SPECIFICATIONS

Motor.....	18 V DC
Blade Diameter.....	5-1/2 in.
Blade Arbor	3/8 in.

Cutting Depth at 0°.....	1-9/16 in.
Cutting Depth at 45°.....	1-1/8 in.
No Load Speed	4,200 r/min. (RPM)

KNOW YOUR CIRCULAR SAW

See Figure 1, page 15.

The safe use of this product requires an understanding of the information on the product and in this operator's manual as well as a knowledge of the project you are attempting. Before use of this product, familiarize yourself with all operating features and safety rules.

BEVEL ADJUSTMENT KNOB

The bevel adjustment knob allows you to set the circular saw for bevel cuts from 45° to 90°.

BLADE WRENCH STORAGE

Convenient wrench storage for quick blade changes.

DEPTH ADJUSTMENT KNOB

The depth adjustment knob adjusts the depth of cut from 0 in. to 1-1/2 in.

LOCK-OFF BUTTON

The lock-off button reduces the possibility of accidental starting.

SPINDLE LOCK BUTTON

The spindle lock button allows you to secure the blade when turning the blade screw.

WIDTH OF CUT SCALE

When making straight cross cuts or rip cuts, the scale can be used to measure up to 4-1/2 in. on the right side of the blade, and up to 1 in. on the left side of the blade.

ASSEMBLY

UNPACKING

This product requires assembly.

- Carefully remove the product and any accessories from the box. Make sure that all items listed in the packing list are included.

WARNING:

Do not use this product if any parts on the Packing List are already assembled to your product when you unpack it. Parts on this list are not assembled to the product by the manufacturer and require customer installation. Use of a product that may have been improperly assembled could result in serious personal injury.

- Inspect the product carefully to make sure no breakage or damage occurred during shipping.
- Do not discard the packing material until you have carefully inspected and satisfactorily operated the product.
- If any parts are damaged or missing, please call 1-800-525-2579 for assistance.

PACKING LIST

Circular Saw
5-1/2 in. Blade
Blade Wrench
Operator's Manual

WARNING:

If any parts are damaged or missing do not operate this product until the parts are replaced. Use of this product with damaged or missing parts could result in serious personal injury.

WARNING:

Do not attempt to modify this product or create accessories not recommended for use with this product. Any such alteration or modification is misuse and could result in a hazardous condition leading to possible serious personal injury.

WARNING:

To prevent accidental starting that could cause serious personal injury, always remove the battery pack from the product when assembling parts.

ASSEMBLY

ATTACHING THE BLADE

See Figure 2, page 15.

WARNING:

A 5-1/2 in. blade is the maximum blade capacity of the saw. Never use a blade that is too thick to allow outer blade washer to engage with the flats on the spindle. Larger blades will come in contact with the blade guard, while thicker blades will prevent blade screw from securing blade on spindle. Either of these situations could result in a serious accident.

- Remove the battery pack from the saw.
- Remove the blade wrench (5 mm hex key) from the storage area.
- Depress the spindle lock button and remove the blade screw and outer blade washer.

NOTE: Turn the blade screw clockwise to remove.

CAUTION:

To prevent damage to the spindle or spindle lock, always allow motor to come to a complete stop before engaging spindle lock.

NOTE: Do not run the circular saw with spindle lock engaged.

- Wipe a drop of oil onto the inner blade washer and outer blade washer where they contact the blade.

WARNING:

If inner blade washer has been removed, replace it before placing blade on spindle. Failure to do so could cause an accident since blade will not tighten properly.

- Fit the saw blade inside the lower blade guard and onto the spindle.

NOTE: The saw teeth point upward at the front of the saw.

- Replace the outer blade washer.
- Depress the spindle lock button, then replace the blade screw. Tighten the blade screw securely by turning it counterclockwise.
- Return the blade wrench to the storage area.

NOTE: Never use a blade that is too thick to allow the outer blade washer to engage with the flats on the spindle.

REMOVING THE BLADE

See Figure 3, page 15.

- Remove the battery pack from the saw.
- Remove the blade wrench from the storage area.
- Position the saw as shown, depress the spindle lock button, and remove the blade screw by turning it clockwise.
- Remove the outer blade washer.
- Remove the blade.

OPERATION

WARNING:

Do not allow familiarity with products to make you careless. Remember that a careless fraction of a second is sufficient to inflict serious injury.

WARNING:

Always wear eye protection with side shields marked to comply with ANSI Z87.1. Failure to do so could result in objects being thrown into your eyes resulting in possible serious injury.

WARNING:

Do not use any attachments or accessories not recommended by the manufacturer of this product. The use of attachments or accessories not recommended can result in serious personal injury.

APPLICATIONS

You may use this product for the purposes listed below:

- Cutting all types of wood products (lumber, plywood, paneling, composition board, and hard wood)

This product will accept Ryobi One+ 18 V lithium-ion battery packs and Ryobi One+ 18 V nickel-cadmium battery packs. Both types of battery packs are shown on this page. Following pages will show the lithium-ion 18 V battery pack.

For complete charging instructions, refer to the Operator's Manual for the battery packs and chargers listed in the General Safety Rules.

BATTERY PROTECTION FEATURES

Ryobi lithium-ion batteries are designed with features that protect the lithium-ion cells and maximize battery life.

If the tool stops during use, release the trigger to reset and resume operation. If the tool still does not work, the battery needs to be recharged.

INSTALLING THE BATTERY PACK

See Figure 4, page 15.

NOTE: The battery pack is shipped in a low charge condition. Therefore, it must be charged prior to use. Refer to **CHARGING BATTERY PACK** for charging instructions.

- Place the battery pack in the saw. Align the raised rib on the battery pack with the groove inside the saw, then slide the battery pack into the saw.
- Make sure the latches on each side of your battery pack snap into place and the battery pack is secured in the saw before beginning operation.

CAUTION:

When placing battery pack in the tool, be sure raised rib on battery pack aligns with the bottom of the tool and latches into place properly. Improper installation of the battery pack can cause damage to internal components.

REMOVING THE BATTERY PACK

See Figure 4, page 15.

- Locate the latches on the side of the battery pack and depress them to release the battery pack from the saw.
- Remove battery pack from the saw.

WARNING:

Battery tools are always in operating condition. Therefore, switch should always be locked when not in use or carrying at your side.

KICKBACK

See Figures 5 - 8, pages 15 and 16.

Kickback occurs when the blade stalls rapidly and the saw is driven back towards you. Blade stalling is caused by any action which pinches the blade in the wood.

DANGER:

Release switch immediately if blade binds or saw stalls. Kickback could cause you to lose control of the saw. Loss of control can lead to serious injury.

To guard against kickback, avoid dangerous practices such as the following.

- Setting blade depth incorrectly.
- Sawing into knots or nails in workpiece.
- Twisting the blade while making a cut.
- Making a cut with a dull, gummed up, or improperly set blade.
- Supporting the workpiece incorrectly.
- Forcing a cut.
- Cutting warped or wet lumber.
- Operating the tool incorrectly or misusing the tool.

To lessen the chance of kickback, follow these safety practices.

- Keep the blade at the correct depth setting. The depth setting should not exceed 1/4 in. below the material being cut.
- Inspect the workpiece for knots or nails before cutting. Never saw into a knot or nail.
- Make straight cuts. Always use a straight edge guide when rip cutting. This helps prevent twisting the blade.

OPERATION

- Use clean, sharp, and properly set blades. Never make cuts with dull blades.
- Support the workpiece properly before beginning a cut.
- Use steady, even pressure when making a cut. Never force a cut.
- Do not cut warped or wet lumber.
- Hold the saw firmly with both hands and keep your body in a balanced position so as to resist the forces if kickback should occur.

WARNING:

When using the saw, always stay alert and exercise control. Do not remove the saw from the workpiece while the blade is moving.

SAW BLADES

The best of saw blades will not cut efficiently if they are not kept clean, sharp, and properly set. Using a dull blade will place a heavy load on the saw and increase the danger of kickback. Keep extra blades on hand, so that sharp blades are always available.

Gum and wood pitch hardened on blades will slow the saw down. Remove saw blade from the saw and use gum and pitch remover, hot water, or kerosene to remove these accumulations. **DO NOT USE GASOLINE.**

BLADE GUARD SYSTEM

See Figure 9, page 16.

The lower blade guard attached to the circular saw is there for your protection and safety. Do not alter it for any reason. If it becomes damaged, do not operate the saw until you have the guard repaired or replaced. Always leave guard in operating position when using the saw.

DANGER:

When sawing through work, lower blade guard does not cover blade on the underside of work. Since blade is exposed on underside of work, keep hands and fingers away from cutting area. Any part of your body coming in contact with moving blade will result in serious injury.

CAUTION:

Never use saw when guard is not operating correctly. Check the guard for correct operation before each use. The guard is operating correctly when it moves freely and readily returns to the closed position. If you drop the saw, check the lower blade guard and bumper for damage at all depth settings before reuse.

STARTING/STOPPING THE SAW

See Figure 10, page 16.

To start the saw:

- Depress the lock-off button.
- Depress the switch trigger.

Always let the blade reach full speed, then guide the saw into the workpiece.

WARNING:

The blade coming in contact with the workpiece before it reaches full speed could cause the saw to “kickback” towards you resulting in serious injury.

To stop the saw: release the switch trigger.

After you release the switch trigger, allow the blade to come to a complete stop. **Do not remove the saw from the workpiece while the blade is moving.**

LOCK-OFF BUTTON

See Figure 10, page 16.

The lock-off button reduces the possibility of accidental starting. The lock-off button is located on the handle above the switch trigger. The lock-off button must be depressed before you pull the switch trigger. The lock resets each time the trigger is released.

NOTE: You can depress the lock-off button from either the left or right side.

ADJUSTING BLADE DEPTH

See Figure 11, page 16.

Always keep correct blade depth setting. The correct blade depth setting for all cuts should not exceed 1/4 in. below the material being cut. More blade depth will increase the chance of kickback and cause the cut to be rough. For more depth of cut accuracy, a scale is located on the upper blade guard.

- Loosen the depth adjustment knob.
- Determine the desired depth of cut.
- Locate the depth of cut scale on the back of the upper blade guard.
- Hold the base flat against the workpiece and raise or lower the saw until the indicator mark on bracket aligns with the notch on the blade guard.
- Tighten the depth adjustment knob securely.

OPERATION

OPERATING THE SAW

See Figures 12- 14, page 16.

It is important to understand the correct method for operating the saw. Refer to the figures in this section to learn the correct and incorrect ways for handling the saw.

WARNING:

To make sawing easier and safer, always maintain proper control of the saw. Loss of control could cause an accident resulting in possible serious injury.

DANGER:

When lifting the saw from the workpiece, the blade is exposed on the underside of the saw until the lower blade guard closes. Make sure the lower blade guard is closed before setting the saw down.

To make the best possible cut, follow these helpful hints.

- Hold the saw firmly with both hands.
- Avoid placing your hand on the workpiece while making a cut.
- Support the workpiece so that the cut (kerf) is always to your side.
- Support the workpiece near the cut.
- Clamp the workpiece securely so that the workpiece will not move during the cut.
- Always place the saw on the workpiece that is supported, not the “cut off” piece.
- Place the workpiece with the “good” side down.
- Draw a guideline along the desired line of cut before beginning your cut.

CROSS CUTTING/RIP CUTTING

See Figure 15, page 17.

When making a cross cut or rip cut, align the line of cut with the outer blade guide notch on the base.

Since blade thicknesses vary, always make a trial cut in scrap material along a guideline to determine how much, if any, you must offset the guideline to produce an accurate cut.

NOTE: The distance from the line of cut to the guideline is the amount you should offset the guide.

RIP CUTTING

See Figure 16, page 17.

Use a guide when making long or wide rip cuts with the saw.

- Secure the workpiece.
- Clamp a straight edge to the workpiece using C-clamps.

- Saw along the straight edge to achieve a straight rip cut.

NOTE: Do not bind the blade in the cut.

WIDTH OF CUT SCALE

See Figure 17, page 17.

A width of cut scale has been provided on the base of the saw. When making straight cross cuts or rip cuts, the scale can be used to measure up to 4-1/2 in. on the right side of the blade, and up to 1 in. on the left side of the blade.

BEVEL CUTTING

See Figures 18 - 19, page 17.

- Align the line of cut with the inner blade guide notch on the base when making 45° bevel cuts.
- Make a trial cut in scrap material along a guideline to determine how much you should offset the guideline on the cutting material.
- Adjust the angle of the cut to any desired setting between zero and 50°. Refer to **Adjusting the Bevel Setting** next.

ADJUSTING THE BEVEL SETTING

See Figure 19, page 17.

- Loosen the bevel adjustment knob.
- Raise the motor housing end of the saw until you reach the desired angle setting on the bevel scale.
- Tighten the bevel adjustment knob securely.

WARNING:

Attempting a bevel cut without having the bevel adjustment knob securely tightened can result in serious injury.

MAKING A BEVEL CUT

See Figure 19, page 17.

- Hold the saw firmly with both hands as shown.
- Rest the front edge of the base on the workpiece.
- Start the saw and let the blade reach full speed.
- Guide the saw into the workpiece and make the cut.
- Release the trigger and allow the blade to come to a complete stop.
- Lift the saw from the workpiece.

OPERATION

POCKET CUTTING

See Figure 21, page 17.

WARNING:

Always adjust bevel setting to zero before making a pocket cut. Attempting a pocket cut at any other setting can result in loss of control of the saw possibly causing serious injury.

- Adjust the bevel setting to zero.
- Set the blade to the correct blade depth setting.
- Swing the lower blade guard up using the lower blade guard handle.
NOTE: Always raise the lower blade guard with the handle to avoid serious injury.
- Hold the lower blade guard by the handle.

WARNING:

Never extend your fingers while holding the lower blade guard handle. Extending your fingers may result in contact with the blade, causing serious injury.

- Rest the front of the base flat against the workpiece with the rear of the handle raised so the blade does not touch the workpiece.
- Start the saw and let the blade reach full speed.
- Guide the saw into the workpiece and make the cut.

WARNING:

Always cut in a forward direction when pocket cutting. Cutting in the reverse direction could cause the saw to climb up on the workpiece and back toward you.

- Release the trigger and allow the blade to come to a complete stop.
- Lift the saw from the workpiece.
- Clear corners out with a hand saw or sabre saw.

WARNING:

Never tie the lower blade guard in a raised position. Leaving the blade exposed could lead to serious injury.

WARNING:

Some dust created by power sanding, sawing, grinding, drilling, and other construction activities contains chemicals known to cause cancer, birth defects or other reproductive harm. Some examples of these chemicals are:

- lead from lead-based paints,
- crystalline silica from bricks and cement and other masonry products, and
- arsenic and chromium from chemically-treated lumber.

Your risk from these exposures varies, depending on how often you do this type of work. To reduce your exposure to these chemicals: work in a well ventilated area, and work with approved safety equipment, such as those dust masks that are specially designed to filter out microscopic particles.

ADJUSTMENTS

WARNING:

To prevent accidental starting that could cause serious personal injury, always remove the battery pack from the product when making adjustments.

0° BEVEL STOP

See Figure 22, page 17.

The saw has a 0° bevel stop that has been factory adjusted to assure 0° angle of the saw blade plate when making 90° cuts.

CHECKING 0° BEVEL STOP

- Place the saw in an upside down position on a workbench.
- Check the squareness of the saw blade plate to the base of the saw using a carpenter's square.

ADJUSTING 0° BEVEL STOP

- Loosen bevel adjustment knob.
- Turn setscrew with hex key and adjust base until it is square with the saw blade plate.
- Tighten bevel adjustment knob securely.

WARNING:

Attempting a bevel cut without having the bevel adjustment knob securely tightened can result in serious injury.

MAINTENANCE

WARNING:

When servicing, use only identical replacement parts. Use of any other parts may create a hazard or cause product damage.

WARNING:

Always wear eye protection with side shields marked to comply with ANSI Z87.1. Failure to do so could result in objects being thrown into your eyes resulting in possible serious injury.

WARNING:

To avoid serious personal injury, always remove the battery pack from the product when cleaning or performing any maintenance.

GENERAL MAINTENANCE

Avoid using solvents when cleaning plastic parts. Most plastics are susceptible to damage from various types of commercial solvents and may be damaged by their use. Use clean cloths to remove dirt, dust, oil, grease, etc.

WARNING:

Do not at any time let brake fluids, gasoline, petroleum-based products, penetrating oils, etc., come in contact with plastic parts. Chemicals can damage, weaken or destroy plastic which may result in serious personal injury.

Only the parts shown on the parts list are intended to be repaired or replaced by the customer. All other parts should be replaced at an Authorized Service Center.

MAINTENANCE

BATTERY PACK REMOVAL AND PREPARATION FOR RECYCLING

 **WARNING:**

Upon removal, cover the battery pack's terminals with heavy-duty adhesive tape. Do not attempt to destroy or disassemble battery pack or remove any of its components. Lithium-ion and nickel-cadmium batteries must be recycled or disposed of properly. Also, never touch both terminals with metal objects and/or body parts as short circuit may result. Keep away from children. Failure to comply with these warnings could result in fire and/or serious injury.

ACCESSORIES

Look for these accessories where you purchased this product:

- 5-1/2 in. Thin Kerf Blade
- Edge Guide

 **WARNING:**

Current attachments and accessories available for use with this product are listed above. Do not use any attachments or accessories not recommended by the manufacturer of this product. The use of attachments or accessories not recommended can result in serious personal injury.

NOTE: FIGURES (ILLUSTRATIONS) START ON PAGE 15 AFTER FRENCH AND SPANISH LANGUAGE SECTIONS.

TABLE DES MATIÈRES

■ Introduction	2
■ Garantie	2
■ Règles de sécurité générales	3-4
■ Règles de sécurité particulières	4-5
■ Symboles	6
■ Caractéristiques	7
■ Assemblage	7-8
■ Utilisation	9-12
■ Réglages	12
■ Entretien	13-14
■ Accessoires	14
■ Figure numéros (illustrations).....	15-17
■ Commande de pièces / réparation.....	Pag. arrière

INTRODUCTION

Cet produit offre de nombreuses fonctions destinées à rendre son utilisation plaisante et plus satisfaisante. Lors de la conception de ce produit, l'accent a été mis sur la sécurité, les performances et la fiabilité, afin d'en faire un outil facile à utiliser et à entretenir.

GARANTIE

OUTILS ÉLECTRIQUES RYOBI® – GARANTIE LIMITÉE DE DEUX ANS ET POLITIQUE D'ÉCHANGE DE 30 JOURS

One World Technologies, Inc., garantit ses outils électriques dans les conditions suivantes :

POLITIQUE D'ÉCHANGE DE 30 JOURS : En cas de défaillance due à des vices de matériaux ou de fabrication au cours des 30 jours suivant la date d'achat, l'acheteur pourra faire réparer tout outil électrique RYOBI® au titre de cette garantie ou le retourner à l'établissement où il a été acheté. Pour obtenir un outil en échange ou demander la réparation en garantie, l'équipement complet devra être retourné, dans son emballage d'origine, accompagné d'une preuve d'achat. L'outil fourni en échange sera couvert par la garantie limitée pour le restant de la période de validité de deux ans à compter de la date d'achat.

CE QUI EST COUVERT PAR LA GARANTIE : Cette garantie couvre tous les vices de matériaux et de fabrication de cet outil électrique RYOBI®, pour une période de deux ans, à compter de la date d'achat. À l'exception des batteries, les accessoires sont garantis pour une période de quatre-vingt-dix (90) jours. Les batteries sont garanties deux ans.

RÉPARATIONS SOUS GARANTIE : Il suffit de retourner l'outil, correctement emballé, en port payé, à un centre de réparations agréé. L'adresse du centre de réparations agréé le plus proche peut être obtenue en contactant un représentant du service après-vente par courrier, à l'adresse One World Technologies, Inc., P.O. Box 1207, Anderson, SC 29622-1207, par téléphone au 1-800-525-2579 ou par courriel, à l'adresse Internet www.ryobitools.com. Lors de toute demande de réparation sous garantie, une preuve d'achat datée (par exemple un reçu de vente) doit être fournie. Nous nous engageons à réparer tous les défauts de fabrication et à réparer ou remplacer, à notre choix, toutes les pièces défectueuses. Les réparations et remplacements seront gratuits. Les réparations sous garantie seront effectuées dans un délai raisonnable, ne dépassant en aucun cas quatre-vingt-dix (90) jours.

CE QUI N'EST PAS COUVERT : La garantie ne couvre que l'acheteur au détail original et n'est pas transférable. Cette garantie ne couvre que les défauts résultant d'une utilisation normale. Elle ne couvre pas les problèmes de fonctionnement, défaillances ou autres défauts résultant d'un usage incorrect ou abusif, de la négligence, de la modification, de l'altération ou de réparations effectuées par quiconque autre qu'un centre de réparations agréé. One World Technologies, Inc. ne fait aucune autre garantie, représentation ou promesse concernant la qualité et les performances de cet outil électrique, autres que celles expressément indiquées dans le présent document.

AUTRES LIMITATIONS : Toutes les garanties implicites accordées par les lois en vigueur, y compris les garanties de valeur marchande ou d'adéquation à un usage particulier, sont limitées à une durée de deux ans, à compter de la date d'achat. One World Technologies, Inc. déclinant toute responsabilité pour les dommages directs ou indirects, les limitations et exclusions peuvent ne pas s'appliquer à chaque acheteur. Cette garantie donne au consommateur des droits spécifiques, et celui-ci peut bénéficier d'autres droits, qui varient selon les états ou provinces.

RÈGLES DE SÉCURITÉ GÉNÉRALES

AVERTISSEMENT !

Lire toutes les instructions. Le non-respect de toutes les instructions ci-dessous peut entraîner un choc électrique, un incendie et/ou des blessures graves. Le terme « outil motorisé », utilisé dans tous les avertissements ci-dessous désigne tout outil fonctionnant sur secteur (câblé) ou sur batteries (sans fil).

CONSERVER CES INSTRUCTIONS SÉCURITÉ DU LIEU DE TRAVAIL

- **Garder le lieu de travail propre et bien éclairé.** Les endroits encombrés ou sombres sont propices aux accidents.
- **Ne pas utiliser d'outils électriques dans des atmosphères explosives, par exemple en présence de liquides, gaz ou poussières inflammables.** Les outils électriques produisent des étincelles risquant d'enflammer les poussières ou vapeurs.
- **Garder les enfants et badauds à l'écart pendant l'utilisation d'un outil motorisé.** Les distractions peuvent causer une perte de contrôle.

SÉCURITÉ ÉLECTRIQUE

- **Les fiches des outils électriques doivent correspondre à la prise secteur utilisée. Ne jamais modifier la fiche, de quelque façon que ce soit. Ne jamais utiliser d'adaptateurs de fiche avec des outils mis à la terre.** Les fiches et prises non modifiées réduisent le risque de choc électrique.
- **Éviter tout contact du corps avec des surfaces mises à la terre, telles que tuyaux, radiateurs, cuisinières et réfrigérateurs.** Le risque de choc électrique est accru lorsque le corps est mis à la terre.
- **Ne pas exposer les outils électriques à l'eau ou l'humidité.** La pénétration d'eau dans ces outils accroît le risque de choc électrique.
- **Pour les travaux à l'extérieur, utiliser un cordon spécialement conçu à cet effet.** Utiliser un cordon conçu pour l'usage extérieur pour réduire les risques de choc électrique.
- **Ne recharger les batteries qu'avec l'appareil indiqué.** Pour utiliser l'appareil avec des piles au nickel-cadmium et au lithium-ion de 18 V, consulter le supplément de raccordement pour chargeur/outils/piles/appareil n° 987000-432.

SÉCURITÉ PERSONNELLE

- **Rester attentif, prêter attention au travail et faire preuve de bon sens lors de l'utilisation de tout outil motorisé. Ne pas utiliser cet outil en état de fatigue ou sous l'influence de l'alcool, de drogues ou de médicaments.** Un moment d'inattention pendant l'utilisation d'un outil motorisé peut entraîner des blessures graves.
- **Utiliser l'équipement de sécurité. Toujours porter une protection oculaire.** L'équipement de sécurité, tel qu'un masque filtrant, chaussures de sécurité, casque ou protection auditive, utilisé dans des conditions appropriées réduira le risque de blessures.
- **Éviter les démarrages accidentels. S'assurer que le commutateur est en position d'arrêt avant de brancher**

l'outil. Porter un outil avec le doigt sur son commutateur ou brancher un outil dont le commutateur est en position de marche peut causer un accident.

- **Retirer les clés de réglage avant de mettre l'outil en marche.** Une clé laissée sur une pièce rotative de l'outil peut causer des blessures.
- **Ne pas travailler hors de portée. Toujours se tenir bien campé et en équilibre.** Ceci permettra de mieux contrôler l'outil en cas de situation imprévue.
- **Porter une tenue appropriée. Ne porter ni vêtements amples, ni bijoux. Garder les cheveux, les vêtements et les gants à l'écart des pièces en mouvement.** Les vêtements amples, bijoux et cheveux longs peuvent se prendre dans les pièces en mouvement.
- **Si les outils sont équipés de dispositifs de dépoussiérage, s'assurer qu'ils sont connectés et correctement utilisés.** L'usage de ces dispositifs peut réduire les dangers présentés par la poussière.
- **Ne porter ni vêtements amples, ni bijoux. Attacher ou couvrir les cheveux longs.** Les vêtements amples, bijoux et cheveux longs peuvent se prendre dans les ouïes d'aération.
- **Ne pas utiliser l'outil sur une échelle ou un support instable.** Une bonne tenue et un bon équilibre permettent de mieux contrôler l'outil en cas de situation imprévue.

UTILISATION ET ENTRETIEN DES OUTILS MOTORISÉS

- **Ne pas forcer l'outil. Utiliser l'outil approprié pour l'application.** Un outil approprié exécutera le travail mieux et de façon moins dangereuse s'il est utilisé dans les limites prévues.
- **Ne pas utiliser l'outil si le commutateur ne permet pas de le mettre en marche ou de l'arrêter.** Tout outil qui ne peut pas être contrôlé par son commutateur est dangereux et doit être réparé.
- **Débrancher l'outil et/ou retirer le bloc de batteries avant d'effectuer des réglages, de changer d'accessoire ou de remiser l'outil.** Ces mesures de sécurité préventives réduisent les risques de démarrage accidentel de l'outil.
- **Ranger les outils motorisés hors de la portée des enfants et ne laisser personne n'étant pas familiarisé avec l'outil ou ces instructions utiliser l'outil.** Dans les mains de personnes n'ayant pas reçu des instructions adéquates, les outils sont dangereux.
- **Entretien des outils motorisés. Vérifier qu'aucune pièce mobile n'est mal alignée ou bloquée, qu'aucune pièce n'est brisée et s'assurer qu'aucun autre problème ne risque d'affecter le bon fonctionnement de l'outil. En cas de dommages faire réparer l'outil avant de l'utiliser de nouveau.** Beaucoup d'accidents sont causés par des outils mal entretenus.
- **Garder les outils bien affûtés et propres.** Des outils correctement entretenus et dont les tranchants sont bien affûtés risquent moins de se bloquer et sont plus faciles à contrôler.

RÈGLES DE SÉCURITÉ GÉNÉRALES

- Utiliser l'outil, les accessoires et embouts, etc., conformément à ces instructions pour les applications pour lesquelles ils sont conçus, en tenant compte des conditions et du type de travail à exécuter. L'usage d'un outil motorisé pour des applications pour lesquelles il n'est pas conçu peut être dangereux.

UTILISATION ET ENTRETIEN DE LA BATTERIE

- S'assurer que le commutateur est en position d'arrêt avant d'insérer le bloc de batteries. L'insertion du bloc de batteries dans un outil dont le commutateur est en position de marche peut causer un accident.
- Ne recharger qu'avec le chargeur spécifié par le fabricant. Un chargeur approprié pour un type de batterie peut créer un risque d'incendie s'il est utilisé avec un autre type de batterie.
- Utiliser exclusivement le bloc de batteries spécifiquement indiqué pour l'outil. L'usage de tout autre bloc peut créer un risque de blessures et d'incendie.
- Lorsque le bloc de batteries n'est pas en usage, le garder à l'écart d'articles tels qu'attaches trombones, pièces de monnaie, clous, vis et autres petits objets métalliques risquant d'établir le contact entre les deux bornes. La mise en court-circuit des bornes de batteries peut causer des étincelles, des brûlures ou un incendie.

- En cas d'usage abusif, du liquide peut s'échapper des batteries. Éviter tout contact avec ce liquide. En cas de contact accidentel, rincer immédiatement les parties atteintes avec de l'eau. En cas d'éclaboussure dans les yeux consulter un médecin. Le liquide s'échappant des batteries peut causer des irritations ou des brûlures.

DÉPANNAGE

- Les réparations doivent être confiées à un technicien qualifié, utilisant exclusivement des pièces identiques à celles d'origine. Ceci assurera le maintien de la sécurité de l'outil.



AVERTISSEMENT !

Pour réduire les risques de blessures, l'utilisateur doit lire le manuel d'utilisation

- Utiliser exclusivement des pièces identiques à celles d'origine pour les réparations. Se conformer aux instructions de la section Entretien de ce manuel. L'usage de pièces non autorisées ou le non-respect des instructions peut présenter des risques de choc électrique ou de blessures.

RÈGLES DE SÉCURITÉ PARTICULIÈRES

- **DANGER! Garder les mains à l'écart de la zone de coupe et de la lame. Garder la deuxième main sur la poignée auxiliaire ou le boîtier du moteur.** Lorsque les deux mains sont utilisées pour tenir la scie, elles ne risquent pas d'être coupées par la lame.
- **Ne pas passer les mains au-dessous de la pièce à couper.** La garde de lame n'offre aucune protection au-dessous de la pièce à couper.
- Régler la profondeur de coupe à l'épaisseur de la pièce de travail. Moins d'une dent de lame complète doit être visible sous la pièce de travail.
- **NE JAMAIS tenir une pièce en train d'être coupée à la main ou posée sur la jambe.** Il est essentiel de soutenir correctement la pièce à couper pour éviter les risques de coupure, de blocage de la lame et de perte du contrôle.
- Lorsque l'outil est utilisé pour un travail risquant de le mettre en contact avec des fils électriques cachés ou son propre cordon d'alimentation, le tenir par les surfaces de prise isolées. En cas de contact avec un fil sous tension, les parties métalliques exposées de l'outil seraient mises sous tension, exposant l'opérateur à un choc électrique.
- **Ne pas écraser, faire tomber ou endommager le bloc de batteries. Ne jamais utiliser un bloc de batteries ou un chargeur qui est tombé, a été écrasé, a reçu un choc violent ou a été endommagé de quelque façon que ce soit.** Une batterie endommagée risque d'exploser. Éliminer immédiatement toute batterie endommagée, selon une méthode appropriée.
- Pour la refente, toujours utiliser un guide longitudinal ou une règle. Ceci accroît la précision de la coupe et réduit le risque de blocage de la lame.
- Toujours utiliser des lames de la taille correcte, dont le trou d'axe est approprié (losange au lieu de rond). Une lame incompatible avec la quincaillerie de montage de la scie tournerait en faux rond, causant la perte du contrôle.

- **Ne jamais utiliser de rondelles ou boulons de lame incorrects ou endommagés.** Les rondelles et boulons de lame fournis sont conçus spécialement pour assurer une efficacité et une sécurité maximum.
- **Si le cordon d'alimentation est endommagé,** il doit être remplacé uniquement pas le fabricant ou par un centre de réparation agréé pour éviter tout risque.

CAUSES DU REBOND ET PRÉCAUTIONS À PRENDRE :

Le rebond est une réaction soudaine, causée par une lame coincée, bloquée ou mal alignée et projetant la scie hors de la pièce coupée vers le haut, en direction de l'opérateur.

Lorsque la lame est pincée ou bloquée par la fermeture du trait de coupe, elle se bloque et la force du moteur projette la scie en direction de l'opérateur.

Si la lame dévie dans le trait de coupe, les dents de l'arrière risquent de mordre la surface de la planche, causant la projection de la lame hors du bois, en direction de l'opérateur.

Le rebond est causé par une utilisation et/ou des méthodes de travail incorrectes et il peut être évité en prenant les précautions suivantes :

- Tenir fermement la scie à deux mains et positionner le corps et les bras de manière à pouvoir résister à la force du rebond. S'il prend les précautions nécessaires, l'opérateur peut contrôler la force du rebond.
- Si la lame se bloque ou si la coupe est interrompue pour une raison quelconque, relâcher la gâchette et maintenir la lame dans le trait de coupe jusqu'à ce qu'elle ait complètement cessé de tourner. Pour éviter un rebond, ne jamais essayer de retirer la scie de la pièce ou de la tirer en arrière pendant que la lame est en rotation. Déterminer et éliminer la cause du blocage de la lame.

RÈGLES DE SÉCURITÉ PARTICULIÈRES

- **Avant de remettre la scie en marche lorsqu'elle est engagée dans le bois, centrer la lame dans le trait de scie et s'assurer que les dents ne mordent pas dans le bois.** Si la lame est bloquée, elle peut causer un rebond et l'éjection de la pièce lorsque la scie est remise en marche.
- **Soutenir les planches de grande taille afin d'éviter les risques de pincement de la lame et de rebond.** Les planches de grande taille ont tendance à ployer sous leur propre poids. Des supports doivent être placés sous la planche, de chaque côté, près du trait de coupe et du bord de la planche.
- **Ne pas utiliser de lames émoussées ou endommagées.** Une lame émoussée ou incorrectement réglée produit un trait de scie étroit, causant le pincement de la lame et le rebond.
- **Les leviers de réglage de profondeur et d'angle de coupe doivent être fermement serrés et assujettis avant de commencer la coupe.** Si la lame se dérègle en cours de coupe, elle peut se bloquer et causer un rebond.
- **Redoubler de prudence lors de la découpe d'évidements dans des cloisons ou autres endroits sans visibilité.** La lame peut heurter des objets ou matériaux causant un rebond.
- **La garde inférieure ne doit être rétractée manuellement que pour des coupes spéciales telles que des coupes d'évidement ou des coupes composées. Relever la garde inférieure en rétractant la poignée. Dès que la lame pénètre la matériau, la garde inférieure doit être libérée.** Pour toutes les autres coupes, la garde inférieure doit fonctionner automatiquement.
- **Toujours veiller à ce que la garde inférieure recouvre la lame avant de poser la scie sur un établi ou sur le sol.** Une lame non protégée, tournant en roue libre cause un retour de la lame, coupant tout sur son passage. Être conscient du temps nécessaire à la lame pour s'arrêter après avoir relâché le commutateur.
- **Avant chaque utilisation, s'assurer que la garde inférieure se ferme correctement. Ne pas utiliser la scie si la garde ne fonctionne pas librement ou ne se ferme pas instantanément. Ne jamais bloquer la garde inférieure en position ouverte.** En cas de chute accidentelle de la scie, la garde inférieure peut se déformer. Relever la garde inférieure, au moyen de la poignée de rétraction. Vérifier qu'elle fonctionne librement et ne touche ni la lame, ni aucune autre pièce, quel que soit l'angle ou la profondeur de coupe.
- **Vérifier l'état et le fonctionnement du ressort de la garde inférieure. Tout problème de fonctionnement de la garde et du ressort doit être corrigé avant d'utiliser la scie.** Des pièces endommagées, des résidus gommeux et les accumulations de débris peuvent ralentir le fonctionnement de la garde inférieure.
- **Apprendre à connaître l'outil. Lire attentivement le manuel d'utilisation. Apprendre les applications et les limites de l'outil, ainsi que les risques spécifiques relatifs à son utilisation.** Le respect de cette consigne réduit les risques d'incendie, de choc électrique et de blessures graves.
- **Toujours porter une protection oculaire certifiée conforme à la norme ANSI Z87.1.** Le respect de cette règle réduira les risques de blessures graves.
- **Protection respiratoire. Porter un masque facial ou un masque anti-poussière si le travail produit de la poussière.** Le respect de cette consigne réduit les risques de blessures graves.




- **Protection auditive. Porter une protection auditive durant les périodes d'utilisation prolongée.** Le respect de cette consigne réduit les risques de blessures graves.
- **Les outils fonctionnant sur batteries n'ayant pas besoin d'être branchés sur une prise secteur, ils sont toujours en état de fonctionnement. Tenir compte des dangers possibles lorsque l'outil n'est pas en usage et lors du remplacement des batteries.** Le respect de cette consigne réduit les risques d'incendie, de choc électrique et de blessures graves.

RÈGLES SUPPLÉMENTAIRES POUR LA SÉCURITÉ DU FONCTIONNEMENT








- **Vérifier l'état des pièces. Avant d'utiliser l'outil de nouveau examiner soigneusement les pièces et dispositifs de protection qui semblent endommagés afin de déterminer s'ils fonctionnent correctement et s'ils remplissent les fonctions prévues. Vérifier l'alignement des pièces mobiles, s'assurer qu'aucune pièce n'est bloquée ou cassée, vérifier la fixation de chaque pièce et s'assurer qu'aucun autre problème ne risque d'affecter le bon fonctionnement de l'outil. Toute protection ou pièce endommagée doit être correctement réparée ou remplacée dans un centre de réparations agréé.** Le respect de cette consigne réduit les risques de choc électrique, d'incendie et de blessures graves.
- **Inspecter la pièce et retirer les clous éventuels avant d'utiliser cet outil.** Le respect de cette consigne réduit les risques de blessures graves.
- **Ne pas utiliser un outil sous l'influence de drogues, d'alcool ou de médicaments.** Le respect de cette consigne réduit les risques de chocs électriques, d'incendie ou de blessures graves.
- **Ne pas placer d'outils fonctionnant sur batteries à proximité de flammes ou d'une source de chaleur.** Ceci réduit les risques d'explosion et de blessures.
- **Les batteries peuvent exploser en présence d'une source d'allumage, telle qu'une veilleuse.** Pour réduire les risques de blessures graves, ne jamais utiliser un appareil sans fil, quel qu'il soit, en présence d'une flamme vive. En explosant, une batterie peut projeter des débris et des produits chimiques. En cas d'exposition, rincer immédiatement les parties atteintes avec de l'eau.
- **Ne pas recharger un outil fonctionnant sur batteries dans un endroit humide ou mouillé.** Le respect de cette règle réduit les risques de choc électrique.
- **Pour un résultat optimal, les batteries de l'outil doivent être rechargées dans un local où la température est de 10 à 38 °C (50 à 100 °F). Ne pas ranger l'outil à l'extérieur ou dans un véhicule.**
- **Si l'outil est utilisé de façon intensive ou sous des températures extrêmes, des fuites de batterie peuvent se produire. En cas de contact du liquide avec la peau, rincer immédiatement la partie atteinte avec de l'eau savonneuse. En cas d'éclaboussure dans les yeux, les rincer à l'eau fraîche pendant au moins 10 minutes, puis contacter immédiatement un médecin.** Le respect de cette consigne réduit les risques de blessures graves.
- **Conserver ces instructions.** Les consulter fréquemment et les utiliser pour instruire les autres utilisateurs éventuels. Si cet produit est prêté, il doit être accompagné de ces instructions.

SYMBOLES

Les termes de mise en garde suivants et leur signification ont pour but d'expliquer le degré de risques associé à l'utilisation de ce produit.

SYMBOLE	SIGNAL	SIGNIFICATION
	DANGER :	Indique une situation extrêmement dangereuse qui, si elle n'est pas évitée, aura pour conséquences des blessures graves ou mortelles.
	AVERTISSEMENT :	Indique une situation potentiellement dangereuse qui, si elle n'est pas évitée, pourrait entraîner des blessures graves ou mortelles.
	ATTENTION :	Indique une situation potentiellement dangereuse qui, si elle n'est pas évitée, pourrait entraîner des blessures légères ou de gravité modérée.
	ATTENTION :	(Sans symbole d'alerte de sécurité) Indique une situation pouvant entraîner des dommages matériels.

Certains des symboles ci-dessous peuvent être utilisés sur produit. Veiller à les étudier et à apprendre leur signification. Une interprétation correcte de ces symboles permettra d'utiliser produit plus efficacement et de réduire les risques.

SYMBOLE	NOM	DÉSIGNATION / EXPLICATION
	Symbole d'alerte de sécurité	Indique un risque de blessure potentiel.
	Lire le manuel d'utilisation	Pour réduire les risques de blessures, l'utilisateur doit lire et veiller à bien comprendre le manuel d'utilisation avant d'utiliser ce produit.
	Protection oculaire	Toujours porter une protection oculaire avec écrans latéraux certifiée conforme à la norme ANSI Z87.1.
	Courant continu	Type ou caractéristique du courant
n_0	Vitesse à vide	Vitesse de rotation à vide
.../min	Par minute	Tours, coups, vitesse périphérique, orbites, etc., par minute
	Avertissement concernant l'humidité	Ne pas exposer à la pluie ou l'humidité.
	Symbole Mains à l'écart	Le non-respect de cette mise en garde peut entraîner des blessures graves.
	Symboles recycler	Ce produit utilise les piles de nickel-cadmium (Ni-Cd) ou lithium-ion (Li-ion). Les réglementations locales ou gouvernementales peuvent interdire de jeter les piles dans les ordures ménagères. Consulter les autorités locales compétentes pour les options de recyclage et/ou l'élimination.
V	Volts	Tension
A	Ampères	Intensité
Hz	Hertz	Fréquence (cycles par seconde)
min	Minutes	Temps

CARACTÉRISTIQUES

FICHE TECHNIQUE

Moteur 18 V C.C.
Diamètre de la lame..... 140 mm (5-1/2 po)
Axe de lame..... 10 mm (3/8 po)

POUR SE FAMILIARISER AVEC LA SCIE CIRCULAIRE

Voir la figure 1, page 15.

La sécurité d'utilisation de ce produit exige la compréhension des informations apposées sur l'outil et contenues dans ce manuel d'utilisation, ainsi que la connaissance du travail à exécuter. Avant d'utiliser ce produit, se familiariser avec toutes ses fonctions et règles de sécurité.

BOUTON DE RÉGLAGE DE BISEAU

Ce dispositif permet d'effectuer des coupes en biseau de 45 à 90°.

RANGEMENT DE CLÉ DE LAME

Rangement commode permettant de changer de lame rapidement

Profondeur de coupe à 0° 40 mm (1-9/16 po)
Profondeur de coupe à 45° 29 mm (1-1/8 po)
Vitesse à vide 4 200 r/min (RPM).

BOUTON DE RÉGLAGE DE PROFONDEUR

Régler la bouton de coupe pour l'action de coupe la plus efficace, 0 - 38 mm (0 po à 1-1/2 po).

BOUTON DE VERROUILLAGE

Cette scie est équipée d'un bouton de verrouillage pour réduire le risque de démarrage accidentel.

BOUTON DE VERROUILLAGE DE BROCHE

Le bouton de verrouillage de broche permet de bloquer la lame lors du serrage ou du desserrage de sa vis.

ÉCHELLE DE LARGEUR DE COUPE

Lors des coupes transversales et longitudinales, cette échelle peut être utilisée pour mesurer jusqu'à 115 mm (4-1/2 po) à droite de la lame et 1 po (25 mm) à gauche de la lame.

ASSEMBLAGE

DÉBALLAGE

Cet produit doit être assemblé.

- Avec précaution, sortir l'outil et les accessoires de la boîte. S'assurer que toutes les pièces figurant sur la liste de contrôle sont incluses.

AVERTISSEMENT :

Ne pas utiliser le produit si, en le déballant, vous constatez que des éléments figurant dans la liste d'expédition sont déjà assemblés. Certaines pièces figurant sur cette liste n'ont pas été assemblées par le fabricant et exigent une installation. Le fait d'utiliser un produit qui a été assemblé de façon inadéquate peut entraîner des blessures.

- Examiner soigneusement l'outil pour s'assurer que rien n'a été brisé ou endommagé en cours de transport.
- Ne pas jeter les matériaux d'emballage avant d'avoir soigneusement examiné l'outil et avoir vérifié qu'il fonctionne correctement.
- Si des pièces sont manquantes ou endommagées, appeler le 1-800-525-2579.

LISTE DE CONTRÔLE

Scie circulaire
Lame de 5 1/2 po
Clé de lame
Manuel d'utilisation

AVERTISSEMENT :

Si des pièces manquent ou sont endommagées, ne pas utiliser cet outil avant qu'elles aient été remplacées. Le fait d'utiliser ce produit même s'il contient des pièces endommagées ou s'il lui manque des pièces peut entraîner des blessures graves.

AVERTISSEMENT :

Ne pas essayer de modifier cet produit ou de créer des accessoires non recommandés pour l'produit. De telles altérations ou modifications sont considérées comme un usage abusif et peuvent créer des conditions dangereuses, risquant d'entraîner des blessures graves.

AVERTISSEMENT :

Pour empêcher un démarrage accidentel pouvant entraîner des blessures graves, toujours retirer le batterie de l'produit avant d'assembler des pièces.

ASSEMBLAGE

INSTALLATION DE LA LAME

Voir la figure 2, page 15.

AVERTISSEMENT :

La taille maximum de lame pouvant être utilisée sur cette scie est de 140 mm (5-1/2 po). Ne jamais utiliser une lame trop épaisse pour permettre à la rondelle extérieure de la lame de s'engager sur les méplats de la broche. Des lames de plus grand diamètre toucheraient la garde et des lames trop épaisses ne pourraient pas être maintenues sur la broche par le boulon. Ces deux situations peuvent causer un accident grave.

- Retirer le bloc de batteries de la scie.
- Retirer la clé de lame (clé hexagonale de 5 mm) du compartiment de rangement.
- Appuyer sur le bouton de verrouillage de la broche retirer le boulon de lame et la rondelle extérieure.

NOTE : Tourner le boulon de lame vers la droite pour le retirer.

ATTENTION :

Pour éviter des dommages à la broche et à son verrouillage, toujours laisser le moteur s'arrêter complètement avant d'engager le verrouillage.

NOTE : Ne pas utiliser la scie circulaire avec le verrouillage de broche engagé.

- Appliquer une mince couche d'huile sur la surface de contact des rondelles intérieure et extérieure avec la lame.

AVERTISSEMENT :

Si la rondelle de lame intérieure a été retirée, la remettre en place avant d'installer la lame sur la broche. L'absence de cette pièce pourrait causer un accident, car la lame ne serait pas correctement serrée.

- Engager la lame dans la garde inférieure et sur la broche.

NOTE : Les dents doivent être orientées vers le haut à l'avant de la scie.

- Remettre la rondelle de lame extérieure en place.
- Appuyer sur le bouton de verrouillage de la broche et réinstaller le boulon de lame. Serrer fermement le bouton en le tournant vers la gauche.
- Retirer la clé de lame de son compartiment.

NOTE : Ne jamais utiliser une lame trop épaisse pour permettre à la rondelle extérieure de la lame de s'engager sur les méplats de la broche.

RETRAIT DE LA LAME

Voir la figure 3, page 15.

- Retirer le bloc de batteries de la scie.
- Retirer la clé de lame de son compartiment.
- Positionner la scie comme illustré, appuyer sur le bouton de verrouillage de la broche retirer le boulon de lame en le tournant vers la droite.
- Retirer la rondelle extérieure de la lame.
- Retirer la lame.

UTILISATION

AVERTISSEMENT :

Ne pas laisser la familiarité avec l'produit faire oublier la prudence. Ne pas oublier qu'une fraction de seconde d'inattention peut entraîner des blessures graves.

AVERTISSEMENT :

Toujours porter une protection oculaire avec écrans latéraux certifiée conforme à la norme ANSI Z87.1. Si cette précaution n'est pas prise, des objets peuvent être projetés dans les yeux et causer des lésions graves.

AVERTISSEMENT :

Ne pas utiliser d'produits ou accessoires non recommandés par le fabricant pour cet outil. L'utilisation de pièces et accessoires non recommandés peut entraîner des blessures graves.

APPLICATIONS

Cet produit peut être utilisé pour les applications ci-dessous :

- Coupe de tous types de produits du bois (planches, contre-plaqué, lambrissage)

Ce produit est compatible avec les blocs de batteries au lithium ion et au nickel cadmium 18 V de Ryobi One+. Ces deux types de blocs-piles sont présentés sur cette page. Le de batteries au lithium-ion 18 V est présenté dans les pages suivantes.

Pour prendre connaissance des consignes de chargement, consulter le manuel d'utilisation des batteries et des chargeurs à la section des règles de sécurité générales.

CARACTÉRISTIQUES RELATIVES À LA PROTECTION DES BATTERIES

Les batteries au lithium ion de Ryobi sont conçues de manière à protéger les piles au lithium ion et à maximiser l'autonomie des batteries.

Si l'outil s'arrête en cours d'utilisation, relâcher la gâchette pour le réenclencher et reprendre l'opération. Si l'outil ne fonctionne toujours pas, cela signifie qu'il est nécessaire de recharger la batterie.

INSTALLATION DU BLOC DE BATTERIES

Voir la figure 4, page 15.

NOTE : Le bloc de batteries est expédié avec une faible charge. Il doit donc être mis en charge avant d'utiliser l'outil. Voir les instructions de charge, **CHARGE DU BLOC DE BATTERIES.**

- Insérer le bloc de batteries dans la scie. Aligner la nervure du bloc de batteries sur la rainure intérieure de la scie et insérer le bloc de batteries dans l'outil.

- S'assurer que ses deux loquets latéraux s'engagent correctement et vérifier que le bloc de batteries est solidement assujéti avant d'utiliser l'outil.

ATTENTION :

Lors de l'installation du bloc de batteries, veiller à ce que sa nervure s'aligne sur la rainure de l'intérieur de l'outil et que les loquets latéraux s'engagent correctement. Une insertion incorrecte du bloc de batteries peut causer des dommages aux composants internes.

RETRAIT DU BLOC DE BATTERIES

Voir la figure 4, page 15.

- Appuyer sur les deux loquets se trouvant sur les côtés du bloc de batteries pour le séparer de la scie.
- Retirer le bloc de batteries de la scie.

AVERTISSEMENT :

Les outils à batteries sont toujours en état de fonctionnement. Il est donc nécessaire de toujours verrouiller la gâchette lorsque l'outil n'est pas en usage et pendant son transport.

REBOND

Voir les figures 5 - 8, page 15 et 16.

On appelle rebond la projection brusque de la scie en direction de l'opérateur, causée par un blocage soudain de la lame. Le blocage de la lame est causée par son pincement dans le bois.

DANGER :

Si la lame se bloque ou la scie cale, relâcher immédiatement la gâchette. Un rebond peut causer la perte de contrôle de la scie. La perte du contrôle peut entraîner des blessures graves.

Pour réduire les risques de rebond, éviter les actions dangereuses, telles que celles décrites ci-dessous.

- Réglage incorrect de la profondeur de coupe.
- Sciage de noeuds ou de clous dans le bois.
- Déviation de la lame en cours de coupe.
- Coupe avec une lame émoussée, encrassée ou mal réglée.
- Support incorrect de la pièce à couper.
- Coupe forcée.
- Coupe de planches humides ou voilées.
- Utilisation incorrecte ou abusive de l'outil.

Pour réduire les risques de rebond, prendre les précautions suivantes.

UTILISATION

- Maintenir un réglage de profondeur de coupe correct. La lame ne doit pas dépasser de plus de 6,4 mm (1/4 po) au-dessous de la planche coupée.
- S'assurer de l'absence de noeuds ou de clous dans le bois avant de scier. Ne jamais scier de noeuds ou de clous.
- Effectuer des coupes droites. Toujours utiliser un guide pour le sciage en long. Ceci évite la déviation de la lame.
- Utiliser des lames propres, bien affûtées et correctement réglées. Ne jamais couper avec une lame émoussée.
- Soutenir la pièce avant de commencer la coupe.
- Appliquer une pression constante et régulière sur la scie. Ne jamais forcer la scie.
- Ne pas couper de planches humides ou voilées.
- Tenir la scie fermement à deux mains et se tenir bien campé afin de pouvoir la maîtriser en cas de rebond.

AVERTISSEMENT :

Lors de l'utilisation de la scie, toujours être attentif en en contrôle de la scie. Ne pas retirer la scie de la pièce avant arrêt complet de la lame.

LAMES DE SCIE

La meilleure des lames ne coupera efficacement que si elle est propre, bien affûtée et correctement installée. L'usage d'une lame émoussée impose une forte charge sur la scie et accroît le risque de rebond. Garder des lames de rechange à portée de la main afin de toujours disposer d'un outil affûté.

Les résidus gommeux et la résine séchés sur la lame causent également un ralentissement de la scie. Retirer la lame de la scie et éliminer ces résidus avec un produit spécialement conçu à cet effet, de l'eau chaude ou du kérosène. **NE PAS UTILISER DE L'ESSENCE.**

SYSTÈME DE GARDE DE LAME

Voir la figure 9, page 16.

La garde de lame inférieure de la scie circulaire est conçue pour assurer la protection et la sécurité de l'utilisateur. Ne pas la modifier, pour quelque raison que ce soit. Si elle est endommagée, ne plus utiliser la scie jusqu'à ce qu'elle ait été réparée ou remplacée. Toujours laisser la garde en position de fonctionnement lors de l'utilisation de la scie.

DANGER :

Lors de la coupe traversante, la garde inférieure ne protège pas la partie de la lame se trouvant au-dessous de la planche. De ce fait, il est impératif de garder les mains à l'écart de la zone de coupe et de la lame. Le contact de toute partie du corps avec la lame en rotation peut causer des blessures graves.

ATTENTION :

Ne jamais utiliser une scie dont la garde ne fonctionne pas correctement. Vérifier le fonctionnement de la garde avant chaque utilisation. Elle fonctionne correctement quand elle pivote librement et retourne immédiatement en position fermée. En cas de chute de la scie, regarder si la garde et le butoir sont endommagés et vérifier tous les réglages de profondeur de coupe avant d'utiliser de nouveau la scie.

MISE EN MARCHÉ ET ARRÊT DE LA SCIE

Voir la figure 10, page 16.

Pour mettre la scie en marche :

- Appuyer sur le bouton de verrouillage.
- Appuyer sur la gâchette.

Toujours laisser la lame parvenir à sa vitesse maximum avant de l'engager dans le bois.

AVERTISSEMENT :

La mise en contact avec le bois d'une lame ne tournant pas à pleine vitesse peut causer un rebond risquant d'entraîner des blessures graves.

Pour arrêter la scie : Relâcher la gâchette.

Une fois la gâchette relâchée laisser la lame parvenir à l'arrêt complet. **Ne pas retirer la scie de la pièce avant arrêt complet de la lame.**

BOUTON DE VERROUILLAGE

Voir la figure 10, page 16.

Cette scie est équipée d'un bouton de verrouillage pour réduire le risque de démarrage accidentel. Ce bouton se trouve sur la poignée, au-dessus de la gâchette. Le bouton de verrouillage doit être verrouillé avant d'appuyer sur la gâchette. Le bouton se désengage automatiquement lorsque la gâchette est relâchée.

NOTE : Le bouton de verrouillage peut être enfoncé par la droite ou la gauche.

RÉGLAGE DE LA PROFONDEUR DE COUPE

Voir la figure 11, page 16.

Toujours maintenir un réglage de profondeur de coupe correct. Quelle que soit le type de coupe, la lame ne doit pas dépasser de plus de 6 mm au-dessous de la pièce coupée. Un dépassement plus important augmente le risque de rebond et nuit à la netteté de la coupe. La garde de lame supérieure comporte une échelle graduée permettant une plus grande précision du réglage de la profondeur de coupe.

- Desserrer le bouton de réglage de profondeur.
- Déterminer la profondeur de coupe voulue.

UTILISATION

- Localiser l'échelle de réglage de profondeur de coupe, à l'arrière de la garde supérieure.
- Tenir la base à plat contre la planche à couper et élever ou abaisser la lame, de manière à ce que le repère du support s'aligne sur l'encoche de la garde.
- Serrer fermement le bouton de réglage de profondeur de coupe.

UTILISATION DE LA SCIE

Voir les figures 12 à 14, page 16.

Il est essentiel de comprendre la méthode correcte d'utilisation de la scie. Voir les illustrations de cette section montrant les façons correctes et incorrectes d'utiliser la scie.

AVERTISSEMENT :

Toujours garder le contrôle de la scie pour faciliter le travail et assurer la sécurité. Une perte de contrôle peut entraîner des blessures graves.

DANGER :

Lorsque la scie est retirée de la planche, la partie inférieure de la lame reste exposée jusqu'à ce que la garde inférieure se ferme. S'assurer que la garde inférieure est fermée avant de poser la scie.

Pour obtenir une qualité de coupe maximum, suivre les conseils ci-dessous.

- Tenir la scie fermement, à deux mains.
- Éviter de placer la main sur la pièce pendant la coupe.
- Soutenir la planche de manière à ce le trait de scie se trouve toujours à droite du corps.
- Soutenir la pièce à couper près du trait de scie.
- Assujettir la pièce solidement, afin qu'elle ne risque pas de bouger pendant la coupe.
- Toujours placer la scie sur la partie soutenue, pas sur la « chute ».
- Placer la pièce avec la « bonne » face vers le bas.
- Tracer la ligne de coupe désirée avant de commencer le travail.

COUPE TRANSVERSALE ET REFENTE

Voir la figure 15, page 17.

Pour effectuer une coupe transversale ou une refente, aligner l'encoche extérieure de la base du guide de lame sur le trait de coupe.

Différentes lames étant d'épaisseurs différentes, toujours effectuer un essai sur une chute, afin de déterminer le déport du guide avant de commencer, pour obtenir une coupe précise.

NOTE : La distance séparant la ligne de coupe du guide est la distance sur laquelle le guide doit être déplacé.

REFENTE

Voir la figure 16, page 17.

Utiliser un guide pour effectuer les coupes de grande largeur ou longueur.

- Immobiliser la pièce à travailler.
- Assujettir une pièce rectiligne sur la pièce à couper, au moyen de serre-joints.
- Suivre le guide pour assurer une coupe rectiligne.

NOTE : Ne pas bloquer la lame dans le trait de scie.

ÉCHELLE DE LARGEUR DE COUPE

Voir la figure 17, page 17.

La base de la scie comporte une échelle de largeur de coupe. Lors des coupes transversales et longitudinales, cette échelle peut être utilisée pour mesurer jusqu'à 115 mm (4 1/2 po) à droite de la lame et 25 mm (1 po) à gauche de la lame.

COUPE EN BISEAU

Voir les figures 18 à 19, page 17.

- Lors de coupes en biseau à 45°, aligner l'encoche de guidage sur le trait de scie.
- Effectuer un essai sur une chute pour déterminer le déport du guide avant de commencer la coupe.
- Régler l'angle de coupe comme désiré, ente 0 et 50°. Voir **Réglage D'angle De Biseau**, ci-après.

RÉGLAGE D'ANGLE DE BISEAU

Voir la figure 20, page 17.

- Desserrer le bouton de réglage de biseau.
- Relever le côté boîtier du moteur de façon à obtenir l'angle désiré, indiqué par l'échelle graduée.
- Serrer fermement le bouton de réglage d'angle de biseau.

AVERTISSEMENT :

Ne pas essayer de pratiquer une coupe en biseau sans avoir vérifié que le levier de réglage de biseau est solidement verrouillé, car cela présenterait des risques de blessures graves.

COUPE EN BISEAU

Voir la figure 21, page 17.

- Tenir la scie fermement, à deux mains, comme illustré.
- Poser le bord avant de la base sur la pièce à couper.
- Mettre la scie en marche et laisser la lame parvenir à sa vitesse maximum.
- Engager la scie dans la pièce et effectuer la coupe.
- Relâcher la gâchette et laisser la lame parvenir à l'arrêt complet.

UTILISATION

- Retirer la scie de la pièce.

ÉVIDEMENTS

Voir la figure 21, page 17.

AVERTISSEMENT :

Toujours mettre le réglage de biseau sur zéro avant de pratiquer un évidement. La découpe d'un évidement avec un quelconque autre réglage peut causer la perte de contrôle de la scie et entraîner des blessures graves.

- Régler l'angle de biseau sur zéro.
- Régler la lame sur la profondeur de coupe correcte.
- Relever la garde de lame inférieure au moyen de la poignée de rétraction.

NOTE : Toujours utiliser la poignée pour relever la garde de lame inférieure, pour éviter des blessures.

- Maintenir la garde relevée, par la poignée.

AVERTISSEMENT :

Ne jamais s'étendre les doigts pendant que tenant la poignée de garde de lame plus basse. Étendre vos doigts peuvent avoir pour résultat le contact avec la lame entraînant des blessures graves.

- Placer le devant de la base à plat contre la pièce à couper et relever l'arrière de la scie pour empêcher que la lame ne touche le bois.
- Mettre la scie en marche et laisser la lame parvenir à sa vitesse maximum.
- Engager la scie dans la pièce et effectuer la coupe.

AVERTISSEMENT :

Toujours couper vers l'avant lors des évidements. La coupe en arrière pourrait causer la projection de la scie en arrière, en direction de l'opérateur.

- Relâcher la gâchette et laisser la lame parvenir à l'arrêt complet.
- Retirer la scie de la pièce.
- Finir les coins avec une scie à main ou une scie sauteuse.

AVERTISSEMENT :

Ne jamais bloquer la garde en position relevée. La lame exposée pourrait infliger des blessures graves.

AVERTISSEMENT :

La poussière dégagée lors du ponçage, sciage, meulage, perçage de certains matériaux et lors d'autres opérations de construction contient des produits chimiques reconnus causer le cancer, des malformations congénitales ou des lésions de l'appareil reproducteur. Voici certains exemples de ces produits chimiques :

- le plomb contenu dans la peinture au plomb,
- la silice cristalline contenue dans les briques, le béton et d'autres produits de maçonnerie, ainsi que
- l'arsenic et le chrome contenus dans le bois de construction traité par produits chimiques.

Le risque présenté par l'exposition à ces produits varie en fonction de la fréquence de ce type de travail. Pour réduire l'exposition à ces produits chimiques : travailler dans un endroit bien aéré et utiliser des équipements de sécurité approuvés tels que masques antipoussière spécialement conçus pour filtrer les particules microscopiques.

RÉGLAGES

AVERTISSEMENT :

Pour empêcher un démarrage accidentel pouvant entraîner des blessures graves, toujours retirer le bloc de batterie de l'produit avant d'assembler des pièces.

BUTÉE FIXE DE BISEAU À 0°

Voir la figure 22, page 17.

La scie est dotée d'une butée de biseau à 0° réglée en usine pour assurer la que la plaque la lame est d'équerre lors des coupes à 90°.

VÉRIFICATION DE LA BUTÉE FIXE DE BISEAU À 0°

- Poser la scie à l'envers sur un établi.
- Vérifier que la plaque la lame est à angle droit par rapport à la base de la scie au moyen d'une équerre de charpentier.

RÉGLAGE DE LA BUTÉE FIXE DE BISEAU À 0°

- Desserrer le bouton moleté de réglage de biseau.
- Tourner la vis d'arrêt et ajuster la plaque la lame de manière à la rendre perpendiculaire à la base.
- Serrer fermement le bouton de réglage d'angle de biseau.

AVERTISSEMENT :

Ne pas essayer de pratiquer une coupe en biseau sans avoir vérifié que le levier de réglage est solidement verrouillé, car cela présenterait des risques de blessures graves.

ENTRETIEN

AVERTISSEMENT :

Utiliser exclusivement des pièces d'origine pour les réparations. L'usage de toute autre pièce pourrait créer une situation dangereuse ou endommager l'produit.

AVERTISSEMENT :

Toujours porter une protection oculaire avec écrans latéraux certifiée conforme à la norme ANSI Z87.1. Si cette précaution n'est pas prise, des objets peuvent être projetés dans les yeux et causer des lésions graves.

AVERTISSEMENT :

Pour empêcher un démarrage accidentel pouvant entraîner des blessures graves, toujours retirer le batteries de l'produit avant tout nettoyage ou entretien.

ENTRETIEN GÉNÉRAL

Éviter d'utiliser des solvants pour le nettoyage des pièces en plastique. La plupart des matières plastiques peuvent être endommagées par divers types de solvants du commerce. Utiliser un chiffon propre pour éliminer la saleté, la poussière, l'huile, la graisse, etc.

AVERTISSEMENT :

Ne jamais laisser de liquides tels que le fluide de freins, l'essence, les produits à base de pétrole, les huiles pénétrantes, etc., entrer en contact avec les pièces en plastique. Les produits chimiques peuvent endommager, affaiblir ou détruire le plastique, ce qui peut entraîner des blessures graves.

Seules les pièces figurant sur la liste de contrôle sont conçues pour être réparées ou remplacées par l'utilisateur. Toutes les autres pièces doivent être remplacées dans un centre de réparations agréé.

ENTRETIEN

BATTERIES

Cet produit accepte des batteries One+ de Ryobi au lithium-ion de 18 V ou des batteries au nickel-cadmium de 18 V. L'autonomie des batteries après chaque charge est fonction du type de travail effectué.

Les batteries utilisées dans le bloc d'alimentation sont conçues pour une longue vie utile, sans problèmes. Toutefois, comme toutes les batteries, elles finiront par s'épuiser. Ne pas démonter les batteries ou essayer de remplacer les batteries. La manipulation de ces batteries, en particulier si l'on porte des bagues ou autres bijoux, peut causer des brûlures graves.

Pour obtenir une vie utile maximum des batteries nous recommandons de :

Pour les batteries au lithium-ion :

- Retirer les batteries du chargeur dès qu'il est complètement chargé et prêt à l'emploi.

Pour le remisage de batteries pendant plus de 30 jours :

- Remiser les batteries dans un local où la température est inférieure à 27 °C (80 °F) et à l'abri de l'humidité.
- Remiser les blocs de batteries 30 %-50 % chargés.
- Tous les six mois de remisage, charger normalement les batteries.

Pour les batteries au nickel-cadmium :

- Retirer les batteries du chargeur dès qu'il est complètement chargé et prêt à l'emploi.

Pour le remisage de batteries pendant plus de 30 jours :

- Remiser les batteries dans un local où la température est inférieure à 27 °C (80 °F).
- Ne jamais remiser les batteries déchargées.

RETRAIT ET PRÉPARATION DES BATTERIES POUR LE RECYCLAGE

AVERTISSEMENT :

Après avoir retiré les batteries, couvrir ses bornes avec un ruban adhésif de qualité industrielle. Ne pas essayer de démonter ou détruire les batteries, ni de retirer des composants quels qu'ils soient. Les batteries épuisées doivent être recyclées ou éliminées selon une méthode appropriée. Ne jamais toucher les deux bornes avec des objets en métal ou une partie du corps, car cela pourrait créer un court-circuit. Garder hors de la portée des enfants. Le non-respect de ces mises en garde peut résulter en un incendie et/ou des blessures graves.

ACCESSOIRES

Chercher ces accessoires où vous avez acheté ce produit:

- Lame de 5 1/2 po
- Guide de chant

AVERTISSEMENT :

Les outils et accessoires disponibles actuellement pour cet produit sont listés ci-dessus. Ne pas utiliser d'outils ou accessoires non recommandés pour cet produit. L'utilisation de pièces et accessoires non recommandés peut entraîner des blessures graves.

NOTE : FIGURES (ILLUSTRATIONS) COMMENÇANT SUR 15 DE PAGE APRÈS LE SECTION ESPAGNOL.

ÍNDICE DE CONTENIDO

■ Introducción.....	2
■ Garantía.....	2
■ Reglas de seguridad generales.....	3-4
■ Reglas de seguridad específicas.....	4-5
■ Símbolos.....	6
■ Características.....	7
■ Armado.....	7-8
■ Funcionamiento.....	9-12
■ Ajustes.....	13
■ Mantenimiento.....	13-14
■ Accesorios.....	14
■ Figura numeras (ilustraciones).....	15-17
■ Pedidos de piezas / Servicio.....	Pág. posterior

INTRODUCCIÓN

Este producto ofrece numerosas características para hacer más agradable y placentero su uso. En el diseño de este producto se ha conferido prioridad a la seguridad, el desempeño y la fiabilidad, por lo cual se facilita su manejo y mantenimiento.

GARANTÍA

HERRAMIENTAS ELÉCTRICAS RYOBI® –

GARANTÍA LIMITADA DE DOS AÑOS Y POLÍTICA DE INTERCAMBIO A LOS 30 DÍAS

One World Technologies, Inc., garantiza sus herramientas eléctricas con las siguientes condiciones:

POLÍTICA DE INTERCAMBIO A LOS 30 DÍAS: Durante los primeros 30 días a partir de la fecha de compra, usted puede solicitar servicio al amparo de esta garantía o puede intercambiar cualquier herramienta eléctrica RYOBI® que no funcione correctamente debido a defectos en los materiales o en la mano de obra, devolviéndola en el establecimiento donde la adquirió. Para recibir la herramienta eléctrica de reemplazo o el servicio de garantía solicitado, debe presentar documentación de prueba de la compra, y devolver el equipo original empaquetado con el producto original. La herramienta eléctrica de reemplazo queda cubierta por la garantía limitada por el resto del período de garantía de dos años a partir de la fecha de la compra original.

LO QUE CUBRE ESTA GARANTÍA: Esta garantía cubre todos los defectos en material y en mano de obra empleados en la herramienta eléctrica RYOBI® por un período de dos años a partir de la fecha de compra. Con excepción de las baterías, los accesorios de las herramientas eléctricas están garantizados por noventa (90) días. Las baterías están garantizadas por dos años.

FORMA DE OBTENER SERVICIO: Simplemente envíe la herramienta eléctrica debidamente empaquetada y con el flete pagado por anticipado a un centro de servicio autorizado. Puede obtener información sobre la ubicación del centro de servicio autorizado más cercano escribiendo a One World Technologies, Inc., P.O. Box 1207, Anderson, SC 29622-1207, USA, llamando al 1-800-525-2579 o dirigiéndose al sitio en Internet, www.ryobitools.com. Al solicitar servicio al amparo de la garantía, debe presentar documentación de prueba de la compra que incluya la fecha de ésta (por ejemplo un recibo de venta). Reparamos toda mano de obra deficiente del producto, y reparamos o reemplazamos cualquier pieza defectuosa, a nuestra sola discreción. Lo hacemos sin cargarle ningún costo al consumidor. Efectuamos el trabajo en un período de tiempo razonable, pero en todo caso en menos de noventa (90) días.

LO QUE NO ESTÁ CUBIERTO: Esta garantía se ofrece exclusivamente al comprador original al menudeo y no puede transferirse. Esta garantía sólo cubre defectos que aparezcan en el uso normal de la herramienta y no cubre ningún malfuncionamiento, falla o defecto producido por el uso indebido, maltrato, negligencia, alteración, modificación o reparación efectuada por terceros diferentes de los centros de servicio autorizados. One World Technologies, Inc. no ofrece ninguna garantía, declaración o promesa en relación con la calidad o el desempeño de sus herramientas eléctricas más que las señaladas específicamente en esta garantía.

LIMITACIONES ADICIONALES: Toda garantía otorgada de conformidad con las leyes estatales, incluidas las garantías de comerciabilidad o idoneidad para un uso en particular, está limitada a dos años a partir de la fecha de compra. One World Technologies, Inc. no es responsable de daños directos, indirectos o incidentales, por lo tanto es posible que las limitaciones y exclusiones descritas arriba no se apliquen en el caso de usted. Esta garantía le confiere derechos legales específicos, y es posible que usted goce de otros derechos, los cuales pueden variar de estado a estado.

REGLAS DE SEGURIDAD GENERALES



¡ADVERTENCIA!

Lea todas las instrucciones. El incumplimiento de las instrucciones señaladas abajo puede causar descargas eléctricas, incendios y lesiones serias. El término “herramienta eléctrica” empleado en todos los avisos de advertencia enumerados abajo se refiere a las herramientas eléctricas de cordón (alámbricas) y de baterías (inalámbricas)

GUARDE ESTAS INSTRUCCIONES

SEGURIDAD EN EL ÁREA DE TRABAJO

- **Mantenga limpia y bien iluminada el área de trabajo.** Un área de trabajo mal despejada o mal iluminada propicia accidentes.
- **No utilice herramientas eléctricas en atmósferas explosivas, como las existentes alrededor de líquidos, gases y polvos inflamables.** Las herramientas eléctricas generan chispas que pueden encender el polvo y los vapores inflamables.
- **Mantenga alejados a los niños y circunstantes al operar una herramienta eléctrica.** Toda distracción puede causar la pérdida del control de la herramienta.

SEGURIDAD ELÉCTRICA

- **Las clavijas de las herramientas eléctricas deben corresponder a las tomas de corriente donde se conectan. Nunca modifique la clavija de ninguna forma. No utilice ninguna clavija adaptadora con herramientas eléctricas dotadas de contacto a tierra.** Conectando las clavijas originales en las tomas de corriente donde corresponden se disminuye el riesgo de una descarga eléctrica.
- **Evite el contacto del cuerpo con las superficies de objetos conectados a tierra, como las tuberías, radiadores, estufas y refrigeradores.** Existe un mayor riesgo de descargas eléctricas si el cuerpo está haciendo tierra.
- **No exponga las herramientas eléctricas a la lluvia ni a condiciones de humedad.** La introducción de agua en una herramienta eléctrica aumenta el riesgo de descargas eléctricas.
- **Al utilizar una herramienta eléctrica a la intemperie, use un cordón de extensión apropiado para el exterior.** Usando un cordón adecuado para el exterior se disminuye el riesgo de descargas eléctricas.
- **Cargue las baterías solamente con el cargador indicado.** Para utilizar con paquetes de baterías de níquel-cadmio de 18 V o de iones de litio de 18 V, consulte el folleto de la herramienta/aparato/paquete de baterías/cargador complementario 987000-432.

SEGURIDAD PERSONAL

- **Permanezca alerta, preste atención a lo que esté haciendo y aplique el sentido común al utilizar herramientas eléctricas. No utilice la herramienta eléctrica si está cansado o se encuentra bajo los efectos de alguna droga, alcohol o medicamento.** Un momento de inatención al utilizar una herramienta eléctrica puede causar lesiones corporales serias.
- **Use equipo de seguridad. Siempre póngase protección ocular.** El uso de equipo de seguridad como mascarilla para el polvo, calzado de seguridad, casco y protección para los oídos en las circunstancias donde corresponda disminuye el riesgo de lesiones.

- **Evite un arranque accidental de la unidad. Asegúrese de que el interruptor esté en la posición de apagado antes de conectar la herramienta.** Portar las herramientas eléctricas con el dedo en el interruptor, o conectarlas con el interruptor puesto, propicia accidentes.
 - **Retire toda llave o herramienta de ajuste antes de encender la herramienta eléctrica.** Toda llave o herramienta de ajuste dejada en una pieza giratoria de la herramienta eléctrica puede causar lesiones.
 - **No estire el cuerpo para alcanzar mayor distancia. Mantenga una postura firme y buen equilibrio en todo momento.** De esta manera se logra un mejor control de la herramienta eléctrica en situaciones inesperadas.
 - **Vístase adecuadamente. No vista ropas holgadas ni joyas. Mantenga el cabello, la ropa y los guantes alejados de las piezas móviles.** Las ropas holgadas, las joyas y el cabello largo pueden engancharse en las piezas móviles.
 - **Si se suministran dispositivos para conectar mangueras de extracción y captación de polvo, asegúrese de que éstas estén bien conectadas y se usen correctamente.** La utilización de estos dispositivos puede disminuir los peligros relacionados con el polvo.
 - **No vista ropas holgadas ni joyas. Recójase el cabello si está largo.** Las ropas holgadas y las joyas, así como el cabello largo, pueden resultar atraídas hacia el interior de las aberturas de ventilación.
 - **No utilice la unidad al estar en una escalera o en un soporte inestable.** Una postura estable sobre una superficie sólida permite un mejor control de la herramienta eléctrica en situaciones inesperadas.
- ### EMPLEO Y CUIDADO DE LA HERRAMIENTA ELÉCTRICA
- **No fuerce la herramienta eléctrica. Utilice la herramienta eléctrica adecuada para cada trabajo.** La herramienta eléctrica adecuada efectúa mejor y de manera más segura el trabajo, si además se maneja a la velocidad para la que está diseñada.
 - **No use la herramienta eléctrica si el interruptor no enciende o no apaga.** Cualquier herramienta eléctrica que no pueda controlarse con el interruptor es peligrosa y debe repararse.
 - **Desconecte la clavija del suministro de corriente o retire el paquete de baterías de la herramienta eléctrica, según sea el caso, antes de efectuarle cualquier ajuste, cambiarle accesorios o guardarla.** Tales medidas preventivas de seguridad reducen el riesgo de poner en marcha accidentalmente la herramienta eléctrica.
 - **Guarde las herramientas eléctricas desocupadas fuera del alcance de los niños y no permita que las utilicen personas no familiarizadas con las mismas o con estas instrucciones.** Las herramientas eléctricas son peligrosas en manos de personas no capacitadas en el uso de las mismas.
 - **Preste mantenimiento a las herramientas eléctricas. Revise para ver si hay desalineación o atoramiento de piezas móviles, ruptura de piezas o toda otra condición que pueda afectar el funcionamiento de la herramienta eléctrica. Si está dañada la herramienta eléctrica, mándela a reparar antes de usarla.** Numerosos accidentes son causados por herramientas eléctricas mal cuidadas.
 - **Mantenga las herramientas de corte afiladas y limpias.** Las herramientas de corte bien cuidadas y con bordes bien afilados, tienen menos probabilidad de atascarse en la pieza de trabajo y son más fáciles de controlar.

REGLAS DE SEGURIDAD GENERALES

- **Utilice la herramienta eléctrica, accesorios, brocas, etc. de conformidad con estas instrucciones, y de la forma apropiada para cada una de dichas herramientas, tomando en cuenta las condiciones de trabajo y la tarea por realizar.** Si se utiliza la herramienta eléctrica para operaciones diferentes de las indicadas podría originar una situación peligrosa.

EMPLEO Y CUIDADO DE LA HERRAMIENTA DE BATERÍAS

- **Asegúrese de que el interruptor esté en la posición de apagado antes de introducir el paquete de baterías.** Introducir el paquete de baterías en una herramienta eléctrica que tenga el interruptor en encendido propicia accidentes.
- **Sólo cargue el paquete de baterías con el cargador especificado por el fabricante.** Un cargador adecuado para un tipo paquete de baterías puede significar un riesgo de incendio si se emplea con un paquete de baterías diferente.
- **Utilice las herramientas eléctricas sólo con los paquetes de baterías específicamente indicados.** El empleo de paquetes de baterías diferentes puede presentar un riesgo de incendio.
- **Cuando no esté utilizándose el paquete de baterías, manténgalo lejos de otros objetos metálicos como clips, monedas, llaves, clavos, tornillos y otros objetos metálicos pequeños que puedan establecer conexión entre ambas terminales.** Establecer una conexión directa entre las dos terminales de las baterías puede causar quemaduras o incendios.

- **Si se maltratan las baterías, puede derramarse líquido de las mismas; evite todo contacto con éste. En caso de contacto, lávese con agua. Si el líquido llega a tocar los ojos, además busque atención médica.** El líquido de las baterías puede causar irritación y quemaduras.

SERVICIO

- **Permita que un técnico de reparación calificado preste servicio a la herramienta eléctrica, y sólo con piezas de repuesto idénticas.** De esta manera se mantiene la seguridad de la herramienta eléctrica.



¡ADVERTENCIA!

LEA Y COMPRENDA TODAS LAS INSTRUCCIONES. El incumplimiento de las instrucciones señaladas abajo puede causar descargas eléctricas, incendios y lesiones serias.

- **Al dar servicio a una herramienta eléctrica, sólo utilice piezas de repuesto idénticas. Siga las instrucciones señaladas en la sección Mantenimiento de este manual.** El empleo de piezas no autorizadas o el incumplimiento de las instrucciones de mantenimiento puede significar un riesgo de descarga eléctrica o de lesiones.

REGLAS DE SEGURIDAD ESPECÍFICAS

- **¡PELIGRO! Mantenga las manos alejadas del área de corte y de la hoja. Mantenga la otra mano en el mango auxiliar o en el alojamiento del motor.** Si ambas manos están sujetando la sierra, la hoja de corte no puede lesionarlas.
- **No alcance debajo del workpiece.** El guardia no le puede proteger de la hoja debajo del workpiece.
- **Ajuste la profundidad cortante al espesor del workpiece.** Menos que un diente repleto de los dientes de hoja debe ser visible debajo del workpiece.
- **Nunca sujete la pieza de trabajo con las manos ni puesta en la pierna.** Es importante apoyar correctamente la pieza para reducir al mínimo la exposición del cuerpo, el atoramiento de la hoja y la pérdida de control.
- **Sujete las herramientas eléctricas por las superficies aisladas de sujeción al efectuar una operación en la cual la herramienta de corte pueda entrar en contacto con cables ocultos o con su propio cordón eléctrico.** Todo contacto de una herramienta con un cable cargado carga las piezas metálicas expuestas de la herramienta y da una descarga eléctrica al operador.
- **Al cortar al hilo, siempre utilice una guía de corte al hilo o una guía recta.** De esta manera se mejora la precisión del corte y se reduce la posibilidad de un atoramiento de la hoja de corte.
- **Siempre utilice hojas con orificio (para el eje o árbol) del tamaño y forma correctos (en forma de rombo o redondo).** Las hojas que no corresponden a las piezas de montaje de la sierra giran de forma excéntrica y causan la pérdida de control.
- **Nunca utilice arandelas ni pernos de hoja de corte dañados o inadecuados.** Las arandelas y pernos de las

hojas de corte se diseñaron especialmente para lograr un desempeño y seguridad óptimos de la sierra.

- **No aplaste, deje caer o dañe la batería. Nunca utilice una batería o cargador que se ha caído, aplastado, recibido un golpe contundente o ha sido dañado(a) de alguna manera.** Las baterías dañadas pueden sufrir explosiones. Deseche de inmediato toda batería que haya sufrido una caída o cualquier daño.
- **Si está dañado el cordón de corriente,** debe ser reemplazado únicamente por el fabricante o en un centro de servicio autorizado para evitar riesgos.

CAUSAS Y PREVENCIÓN DE CONTRAGOLPES:

El contragolpe es una reacción súbita a un pellizcamiento, atoramiento o desalineación de la hoja de la sierra, lo cual causa el descontrol, levantamiento y salida de la misma de la pieza de trabajo, hacia el operador.

Cuando el corte al irse cerrando pellizca o atora ajustadamente la hoja de corte, ésta tiende a detenerse y la reacción del motor impulsa de forma rápida y violenta la unidad hacia el operador.

Si la hoja se tuerce o desalinea en el corte, los dientes situados en el borde posterior de la hoja pueden encajarse en la superficie externa de la madera, causando de esta manera la salida de la hoja fuera del corte y un salto de la misma hacia el operador.

El contragolpe es el resultado del uso incorrecto de la herramienta y/o de procedimientos o condiciones de trabajo incorrectas, y puede evitarse tomando las medidas de precaución adecuadas, como las señaladas abajo:

- **Mantenga una sujeción firme de la sierra con ambas manos, y coloque el cuerpo y el brazo de manera que le permitan resistir las fuerzas de un contragolpe.** Las fuerzas del contragolpe pueden ser controladas por el operador, si toma las medidas de precaución adecuadas.

REGLAS DE SEGURIDAD ESPECÍFICAS

- **Cuando esté atorándose la hoja, o esté interrumpiéndose el corte por alguna razón, suelte el gatillo y mantenga inmóvil la sierra en el material hasta que se detenga completamente la sierra. Nunca intente retirar la sierra de la pieza de trabajo ni tirar de la misma hacia atrás mientras esté en movimiento la hoja de corte, ya que puede ocasionar un contragolpe.** Investigue y tome las medidas correctivas adecuadas para eliminar la causa del atoramiento de la hoja.
- **Al volver a arrancar la sierra en la pieza de trabajo, centre la hoja en el corte y verifique que los dientes de la misma no estén encajados en el material.** Si la sierra está atorándose, puede salirse de la pieza de trabajo o dar un contragolpe al volverse a encender.
- **Apoye debidamente los paneles grandes para reducir al mínimo el riesgo de un pellizcamiento de la hoja de corte y de un contragolpe.** Los paneles grandes tienden a combarse bajo su propio peso. Deben colocarse soportes bajo ambos lados del panel, cerca de la línea de corte y de la orilla del mismo.
- **No utilice hojas de corte desafiladas o dañadas.** Las hojas de corte desafiladas o triscadas de forma incorrecta producen un corte angosto el cual causa fricción excesiva, atoramiento de la hoja misma y contragolpe.
- **Las palancas de fijación de profundidad y de bisel deben estar apretadas y aseguradas antes de efectuarse el corte.** Si cambia el ajuste de la hoja durante el corte, puede causarse el atoramiento de la misma y un contragolpe.
- **Tenga precaución extra al efectuar cortes en cavidad en paredes o en otras partes ciegas (sin vista por ambos lados).** La parte sobresaliente de la hoja puede cortar objetos que pueden causar un contragolpe.
- **Cada vez antes de utilizar la unidad verifique que cierre correctamente la protección inferior. No utilice la sierra si la protección inferior no se mueve libremente y no cierra instantáneamente. Nunca asegure de ninguna forma la protección inferior en la posición abierta.** Si se deja caer accidentalmente la sierra, la protección inferior puede sufrir un doblamiento. Suba la protección inferior con la manija retractora. Asegúrese de que se mueve libremente y no toca la hoja de corte ni ninguna otra parte, en todos los ángulos y profundidades de corte.
- **Verifique el funcionamiento y el estado del resorte de la protección inferior. Si la protección y el resorte no funcionan correctamente, debe proporcionárseles servicio antes de utilizar la unidad.** La protección inferior puede moverse con lentitud debido a piezas dañadas, depósitos gomosos o acumulación de desechos.
- **La protección inferior debe retraerse manualmente sólo para cortes especiales, como los cortes en cavidad o los compuestos. Para subir la protección inferior utilice la manija retractora. Tan pronto como la hoja entre en el material, debe soltarse la protección inferior.** Para todos los demás tipos de cortes, la protección debe dejarse funcionar automáticamente.
- **Siempre asegúrese de que la protección inferior esté cubriendo la hoja de corte antes de colocar la sierra en un banco de trabajo o en el piso.** Si la hoja no está protegida y está aún en movimiento, la sierra avanza hacia atrás y corta cualquier objeto situado en su trayecto. Tenga presente el tiempo requerido por la hoja para detenerse después de soltarse el interruptor.
- **Familiarícese con su herramienta eléctrica. Lea cuidadosamente el manual del operador. Aprenda sus usos y limitaciones, así como los posibles peligros específicos de esta herramienta.** Con el cumplimiento de esta regla se reduce el riesgo de una descarga eléctrica, incendio o lesión seria.
- **Siempre póngase protección ocular con la marca de cumplimiento de la norma ANSI Z87.1.** Con el cumplimiento

de esta regla se reduce el riesgo de lesiones corporales serias.




- **Protéjase los pulmones. Use una careta o mascarilla contra el polvo si la operación genera mucho polvo.** Con el cumplimiento de esta regla se reduce el riesgo de lesiones corporales serias.
- **Protéjase los oídos. Durante períodos prolongados de utilización del producto, póngase protección para los oídos.** Con el cumplimiento de esta regla se reduce el riesgo de lesiones corporales serias.
- **Las herramientas de baterías no se necesitan conectar a una toma de corriente; por lo tanto, siempre están en condiciones de funcionamiento. Está consciente de los posibles peligros cuando no esté usando la herramienta de baterías o cuando esté cambiando los accesorios de la misma.** Con el cumplimiento de esta regla se reduce el riesgo de una descarga eléctrica, incendio o lesión corporal seria.

REGLAS IMPORTANTES PARA LAS HERRAMIENTAS DE BATERÍAS








- **Inspeccione las piezas dañadas. Antes de seguir utilizando la herramienta, es necesario inspeccionar cuidadosamente toda protección o pieza dañada para determinar si funcionará correctamente y desempeñará la función a la que está destinada. Verifique la alineación de las partes móviles, que no haya atoramiento de partes móviles, que no haya piezas rotas, el montaje de las piezas y cualquier otra condición que pudiera afectar su funcionamiento. Toda protección o pieza que esté dañada debe repararse apropiadamente o reemplazarse en un centro de servicio autorizado.** Con el cumplimiento de esta regla se reduce el riesgo de una descarga eléctrica, incendio o lesión grave.
- **Inspeccione la madera y elimine todos los clavos presentes en la misma antes de usar esta herramienta.** Con el cumplimiento de esta regla se reduce el riesgo de lesiones corporales serias.
- **No opere instrumento mientras drogado, el alcohol, ni ninguna medicina.** Siguiente que esta regla reducirá el riesgo de calambre, del fuego, o de la herida personal grave.
- **No coloque herramientas de baterías ni las baterías mismas cerca del fuego o del calor.** De esta manera se reduce el riesgo de explosiones y de lesiones.
- **Las baterías pueden explotar en presencia de una fuente de inflamación, como una luz guía.** Para reducir el riesgo de lesiones corporales serias, nunca use un producto inalámbrico en presencia de llamas vivas. La explosión de una batería puede lanzar fragmentos y compuestos químicos. Si ha quedado expuesto a la explosión de una batería, lávese de inmediato con agua.
- **No cargue herramientas de baterías en lugares mojados o húmedos.** Con el cumplimiento de esta regla se reduce el riesgo de una descarga eléctrica.
- **Para obtener resultados óptimos, debe cargar la herramienta de baterías en un lugar donde la temperatura esté entre 10 °C (50 °F) y 38 °C (100 °F). No guarde la herramienta al aire libre ni en el interior de ningún vehículo.**
- **En condiciones extremas de uso o temperatura las baterías pueden presentar fugas de sustancias químicas. Si el líquido llega a tocarle la piel, lávese de inmediato con agua y jabón. Si le entra líquido en los ojos, láveselos con agua limpia por lo menos 10 minutos, y después busque de inmediato atención médica.** Con el cumplimiento de esta regla se reduce el riesgo de lesiones corporales serias.
- **Guarde estas instrucciones.** Consúltelas con frecuencia y empléelas para instruir a otras personas que puedan utilizar esta herramienta. Si presta a alguien esta herramienta, facilítele también las instrucciones.

SÍMBOLOS

Las siguientes palabras de señalización y sus significados tienen el objeto de explicar los niveles de riesgo relacionados con este producto.

SÍMBOLO	SEÑAL	SIGNIFICADO
	PELIGRO:	Indica una situación peligrosa inminente, la cual, si no se evita, causará la muerte o lesiones serias.
	ADVERTENCIA:	Indica una situación peligrosa posible, la cual, si no se evita, podría causar la muerte o lesiones serias.
	PRECAUCIÓN:	Indica una situación peligrosa posible, la cual, si no se evita, podría causar lesiones menores o leves.
	PRECAUCIÓN:	(Sin el símbolo de alerta de seguridad.) Indica una situación que puede producir daños materiales.

Es posible que se empleen en este producto algunos de los siguientes símbolos. Le suplicamos estudiarlos y aprender su significado. Una correcta interpretación de estos símbolos le permitirá utilizar mejor y de manera más segura el producto.

SÍMBOLO	NOMBRE	DENOMINACIÓN/EXPLICACIÓN
	Alerta de seguridad	Indica un peligro posible de lesiones personales.
	Lea el manual del operador	Para reducir el riesgo de lesiones, el usuario debe leer y comprender el manual del operador antes de usar este producto.
	Protección ocular	Siempre póngase protección ocular con protección lateral con la marca de cumplimiento de la norma ANSI Z87.1.
	Corriente continua	Tipo o característica de corriente
n_0	Velocidad en vacío	Velocidad de rotación, en vacío
.../min	Por minuto	Revoluciones, carreras, velocidad superficial, órbitas, etc., por minuto
	Alerta de condiciones húmedas	No exponga la unidad a la lluvia ni la use en lugares húmedos.
	Símbolo de no acercar las manos	Si no mantiene las manos alejadas de la hoja de corte, se causará serias lesiones corporales.
	Símbolos reciclar	Este producto contiene baterías de níquel-cadmio (Ni-Cd) o iones de litio (Li-ion). Es posible que algunas leyes municipales, estatales o federales prohíban desechar las baterías de níquel-cadmio en la basura normal. Consulte a las autoridades reguladoras de desechos para obtener información en relación con las alternativas de reciclado y desecho disponibles.
V	Volts	Voltaje
A	Amperes	Corriente
Hz	Hertz	Frecuencia (ciclos por segundo)
min	Minutos	Tiempo

CARACTERÍSTICAS

ESPECIFICACIONES DEL PRODUCTO

Motor 18 V c.c.
Diámetro de la hoja 140 mm (5-1/2 pulg.)
Árbol de la hoja de corte 10 mm (3/8 pulg.)

FAMILIARÍCESE CON LA SIERRA CIRCULAR

Vea la figura 1, página 15.

Para usar este producto con la debida seguridad se debe comprender la información indicada en la herramienta misma y en este manual, y se debe comprender también el trabajo que intenta realizar. Antes de usar este producto, familiarícese con todas las características de funcionamiento y normas de seguridad del mismo.

PERILLA DE AJUSTE DE BISEL

El perilla de ajuste de bisel permite configurar la sierra circular para efectuar cortes a bisel de 45° a 90°.

LUGAR GUARDAR LA LLAVE DE LA HOJA

Conveniente lugar para guardar la llave, para cambios rápidos de hoja.

Profundidad de corte a 0° 40 mm (1-9/16 pulg.)
Profundidad de corte a 45° 29 mm (1-1/8 pulg.)
Velocidad en vacío 4 200 r/min. (RPM)

PERILLA DE AJUSTE DE PROFUNDIDAD

Sirve para fijar la profundidad de , 0 a 38 mm (0 pulg. a 1-1/2 pulg.).

BOTÓN DEL SEGURO DE APAGADO

El botón del seguro de apagado reduce la posibilidad de un arranque accidental.

BOTÓN DEL SEGURO DEL HUSILLO

El botón del seguro del husillo permite asegurar la hoja de corte mientras se gira el perno de la misma.

ESCALA DE ANCHURA DE CORTE

Al efectuar cortes rectos transversales o al hilo, puede utilizarse la escala para medir hasta 115 mm (4 1/2 pulg.) al lado derecho de la hoja. Puede emplearse para medir hasta 25 mm (1 pulg.) al lado izquierdo de la hoja.

ARMADO

DESEMPAQUETADO

Este producto requiere armarse.

- Extraiga cuidadosamente de la caja la herramienta y los accesorios. Asegúrese de que estén presentes todos los artículos enumerados en la lista de empaquetado.

ADVERTENCIA:

No utilice este producto si alguna pieza incluida en la lista de piezas sueltas (o lista de contenido) ya está ensamblada al producto cuando lo desempaqueta. El fabricante no ensambla las piezas de esta lista en el producto. Éstas deben ser instaladas por el usuario. El uso de un producto que puede haber sido ensamblado de forma inadecuada podría causar lesiones personales graves.

- Inspeccione cuidadosamente la herramienta para asegurarse de que no haya sufrido ninguna rotura o daño durante el transporte.
- No deseche el material de empaquetado hasta que haya inspeccionado cuidadosamente la herramienta y la haya utilizado satisfactoriamente.
- Si hay piezas dañadas o faltantes, le suplicamos llamar al 1-800-525-2579, donde le brindaremos asistencia.

LISTA DE EMPAQUETADO

Sierra circular
Hoja de 5-1/2 pulg.
Llave de la hoja
Manual del operador

ADVERTENCIA:

No permita que su familiarización con las herramientas lo vuelva descuidado. Usar este producto con partes dañadas o faltantes puede causar lesiones serias al operador.

ADVERTENCIA:

Cuando utilice herramientas, póngase siempre gafas de seguridad o anteojos protectores con protección lateral. La inobservancia de esta advertencia puede causar el lanzamiento de objetos a los ojos, y por consecuencia posibles lesiones serias.

ADVERTENCIA:

No utilice ningún aditamento o accesorio no recomendado por el fabricante de esta herramienta. El empleo de aditamentos o accesorios no recomendados podría causar lesiones serias.

ARMADO

MONTAJE DE LA HOJA

Vea la figura 2, página 15.

ADVERTENCIA:

La máxima capacidad de diámetro de hoja de la sierra es 140 mm (5-1/2 pulg.). Nunca utilice una hoja tan gruesa que la arandela exterior de la hoja no se enganche en las partes planas del husillo. Las hojas más grandes tocan la protección de la hoja, y las más gruesas impiden asegurarlas con el perno correspondiente en el husillo. Cualquiera de estas dos situaciones puede causar un accidente serio.

- Retire de la sierra el paquete de baterías.
- Retire de su lugar de almacenamiento la llave de la hoja de corte (la llave hexagonal de 5 mm).
- Oprima el seguro del husillo y retire el tornillo y la arandela exterior de la hoja.

NOTA: Gire el tornillo de la hoja hacia la derecha para retirarlo.

PRECAUCIÓN:

Para evitar dañar el husillo o el seguro del mismo, siempre deje que el motor se detenga completamente antes de enganchar el seguro.

NOTA: No ponga a funcionar la sierra circular con el seguro del husillo puesto.

- Unte una gota de aceite en las arandelas interior y exterior de la hoja, donde tocan ésta.

ADVERTENCIA:

Si retiró la arandela interior de la hoja, vuelva a colocarla antes de instalar la hoja en el husillo. Si no lo hace podría producirse un accidente ya que la hoja no se apretaría correctamente.

- Acomode la hoja de la sierra dentro de la protección inferior, y luego móntela en el husillo.

NOTA: Los dientes de la sierra apuntan hacia arriba en la parte delantera de la sierra.

- Vuelva a colocar la arandela de la hoja.
- Oprima el botón del seguro del husillo y vuelva a colocar el tornillo de la hoja. Apriete firmemente el tornillo de la hoja girándolo hacia la izquierda.
- Regrese la llave de la hoja al compartimiento.

NOTA: Nunca utilice una hoja tan gruesa que no pueda acoplarse la rondana exterior de la hoja en las partes planas del husillo.

DESMONTAJE DE LA HOJA DE CORTE

Vea la figura 3, página 15.

- Retire de la sierra el paquete de baterías.
- Extraiga del compartimiento la llave de la hoja de corte.
- Coloque la sierra como se muestra, oprima el botón del seguro del husillo, y retire el tornillo de la hoja girándolo a la derecha.
- Retire la arandela exterior de la hoja.
- Retire la hoja.

FUNCIONAMIENTO

ADVERTENCIA:

No permita que su familiarización con los productos lo vuelva descuidado. Tenga presente que un descuido de un instante es suficiente para causar una lesión grave.

ADVERTENCIA:

Siempre póngase protección ocular con protección lateral con la marca de cumplimiento de la norma ANSI Z87.1. Si no cumple esta advertencia, los objetos que salen despedidos pueden producirle lesiones serias en los ojos.

ADVERTENCIA:

No utilice ningún aditamento o accesorio no recomendado por el fabricante de este producto. El empleo de aditamentos o accesorios no recomendados podría causar lesiones serias.

APLICACIONES

Este producto puede emplearse para los fines siguientes:

- Corte de todos tipos de productos de madera (tablas, contrachapada y paneles)

Este producto acepta los paquetes de baterías de iones de litio de 18 V de Ryobi One+ y los paquetes de baterías de níquel-cadmio de 18 V de Ryobi One+. Los dos tipos de paquetes de baterías se muestran en esta página. Las siguientes páginas muestran los paquetes de baterías de iones de litio de 18 V.

Para ver las instrucciones de carga completas, consulte el manual del operador de los paquetes de baterías y cargadores enumerados en las Reglas de seguridad generales.

CARACTERÍSTICAS DE PROTECCIÓN DE LAS BATERÍAS

Las baterías de iones de litio Ryobi de 18 V están diseñadas con características que protegen las celdas de iones de litio y maximizan la duración de las baterías.

Si la herramienta se detiene durante el uso, suelte el gatillo para reiniciarla y reanude el funcionamiento. Si aun así no funciona, se debe recargar la batería.

INSTALACIÓN DEL PAQUETE DE BATERÍAS

Veja la figura 4, página 15.

NOTA: El paquete de baterías se embarca con carga baja. Por lo tanto debe cargarse antes de usarse. Para ver las instrucciones de carga, consulte la sección **CÓMO CARGAR EL PAQUETE DE BATERÍAS**.

- Coloque el paquete de baterías en la sierra. Alinee la costilla realzada del paquete de baterías con la ranura

existente en el interior de la sierra, y después introduzca el paquete en la sierra.

- Asegúrese de que los pestillos situados en ambos lados del paquete de baterías entren completamente en su lugar con un chasquido y de que el paquete quede bien fijo en la sierra antes de empezar a utilizar ésta.

PRECAUCIÓN:

Al colocar el paquete de baterías en la herramienta, asegúrese que la costilla realzada del mismo quede alineada con la parte inferior de la herramienta y de que los pestillos entren adecuadamente en su lugar con un chasquido. Si no se instala debidamente el paquete de baterías pueden dañarse los componentes internos.

DESMONTAJE DEL PAQUETE DE BATERÍAS

Veja la figura 4, página 15.

- Localice los pestillos situados en el costado del paquete de baterías y oprímalos para liberar éste de la sierra.
- Retire el paquete de baterías de la sierra.

ADVERTENCIA:

Las herramientas de baterías siempre están en condiciones de funcionamiento. Por lo tanto, siempre debe estar asegurado el interruptor cuando no esté usándose o el operador lo lleve por un lado.

CONTRAGOLPE

Veja las figuras 5 a 8, páginas 15 y 16.

El contragolpe sucede cuando la hoja se detiene rápidamente y la sierra sale empujada hacia el operador. El atoramiento de la hoja es causado por cualquier acción que produzca el pellizcamiento de la hoja en la madera.

PELIGRO:

Si la hoja se atora o se detiene la sierra, suelte de inmediato el interruptor. El contragolpe podría causar la pérdida de control de la sierra. La pérdida de control puede originar lesiones serias.

Para protegerse y evitar contragolpes, evite prácticas peligrosas como las siguientes.

- Ajustar de forma incorrecta la profundidad de la hoja.
- Cortar nudos o clavos contenidos en la pieza de trabajo.
- Torcer la hoja al efectuar un corte.
- Cortar con una hoja desafilada, mal triscada o cubierta de goma.
- Apoyar de forma incorrecta la pieza de trabajo.
- Efectuar cortes forzados.
- Cortar madera combada o húmeda.

FUNCIONAMIENTO

- Utilizar la herramienta de forma incorrecta o para un uso inadecuado.

Para disminuir el peligro de un contragolpe, siga estas prácticas de seguridad.

- Mantenga la hoja a un ajuste de profundidad correcto. El ajuste de profundidad no debe sobrepasar 1/4 pulg. (6.4 mm) por abajo de la pieza de trabajo.
- Inspeccione la pieza de trabajo para ver si contiene nudos o clavos antes de empezar a cortar. Nunca corte nudos ni clavos.
- Corte en línea recta. Siempre utilice una guía recta al efectuar cortes al hilo. Esto ayuda a evitar el torcimiento de la hoja.
- Use hojas limpias, afiladas y triscadas correctamente. Nunca efectúe cortes con hojas sin filo.
- Apoye adecuadamente la pieza de trabajo antes de iniciar un corte.
- Aplique una presión estable y uniforme al efectuar el corte. Nunca efectúe cortes forzados.
- No corte madera combada o húmeda.
- Sujete firmemente la sierra con ambas manos y mantenga el cuerpo en una postura bien equilibrada de manera que pueda resistir las fuerzas de un contragolpe si llegara a ocurrir.



ADVERTENCIA:

Al utilizar la sierra siempre permanezca alerta y en control de la herramienta. No retire la sierra de la pieza de trabajo mientras continúe en movimiento la hoja.

HOJAS DE SIERRA

Incluso las mejores hojas para sierra no cortan eficientemente si no se mantienen, limpias, afiladas y debidamente triscadas. Si se utiliza una hoja desafilada se le impone una carga muy pesada a la sierra y se aumenta el peligro de un contragolpe. Mantenga hojas extra a la mano, de manera que siempre haya hojas afiladas disponibles.

La goma y la resina endurecidas en las hojas hacen más lenta la sierra. Retire la hoja de la sierra y utilice limpiador de goma y de resina, agua caliente o queroseno para limpiar la acumulación de aquéllas. **NO UTILICE GASOLINA.**

SISTEMA DE PROTECCIÓN DE LA HOJA

Vea la figura 9, página 16.

La protección inferior montada en la sierra circular es para protegerlo a usted y para su seguridad. No la altere de ninguna forma. Si se daña, no utilice la sierra hasta que haya reparado o reemplazado la protección, según sea necesario. Siempre deje la protección en la posición de trabajo al utilizar la sierra.



PELIGRO:

Al cortar de lado a lado, la protección inferior no cubre la hoja por dicho lado de la pieza de trabajo. Puesto que la hoja queda expuesta por la parte inferior de la pieza de trabajo, mantenga las manos y los dedos alejados del área de corte. Cualquier parte del cuerpo que toque la hoja en movimiento puede resultar lesionada seriamente.



PRECAUCIÓN:

Nunca utilice la sierra cuando no esté funcionando correctamente la protección. Siempre verifique el funcionamiento de la protección cada vez antes de utilizar la herramienta. La protección funciona correctamente cuando se mueve libremente y regresa de inmediato a la posición cerrada. Si deja caer la sierra, revise la protección inferior de la hoja y el parachoques para ver si tienen daños en todos los ajustes de la profundidad antes de volver a usar la unidad.

ENCENDIDO Y APAGADO DE LA SIERRA

Vea la figura 10, página 16.

Para arrancar la sierra:

- Oprima el botón del seguro de apagado.
- Oprima el gatillo del interruptor.

Siempre permita que la hoja alcance su velocidad máxima, y hasta después introdúzcala en la pieza de trabajo.



ADVERTENCIA:

Si la hoja toca la pieza de trabajo antes de alcanzar la velocidad máxima, podría causar un contragolpe de la sierra hacia usted y podría producirle lesiones graves.

Para apagar la sierra: Suelte el gatillo del interruptor.

Después de soltar el gatillo del interruptor permita que se detenga completamente la hoja de corte. **No retire la sierra de la pieza de trabajo mientras continúe en movimiento la hoja.**

BOTÓN DEL SEGURO DE APAGADO

Vea la figura 10, página 16.

El botón del seguro de apagado reduce la posibilidad de un arranque accidental. El botón del seguro de apagado se encuentra en el mango, arriba del gatillo del interruptor. Debe oprimir el botón del seguro de apagado antes de oprimir el gatillo del interruptor. El seguro se autoengancha cada vez que se suelta el gatillo.

NOTA: El botón del seguro de apagado puede oprimirse desde cualquier lado, el izquierdo o el derecho.

FUNCIONAMIENTO

AJUSTE DE LA PROFUNDIDAD DE LA HOJA

Vea la figura 11, página 16.

Siempre mantenga la hoja a un ajuste de profundidad correcto. Para todo tipo de cortes, la hoja no debe sobrepasar 1/4 pulg. (6.4 mm) por abajo de la pieza de trabajo. Cuanto mayor es la profundidad de la hoja mayor es la posibilidad de un contragolpe y de un corte áspero. Para mayor precisión de la profundidad de corte se incluye una escala en la protección superior de la hoja.

- Afloje la perilla de ajuste de profundidad.
- Determine la profundidad de corte deseada.
- Localice la escala de profundidad de corte, en la parte posterior de la protección superior de la hoja.
- Mantenga horizontal la base contra la pieza de trabajo y suba o baje la sierra hasta que la marca indicadora se alinee con la muesca de la protección de la hoja.
- Apriete firmemente la perilla de ajuste de profundidad.

UTILIZACIÓN DE LA SIERRA

Vea las figuras 12 a 14, página 16.

Es importante comprender la forma correcta de utilizar la sierra. Consulte las figuras de esta sección para ver las formas correctas e incorrectas de manejar la sierra.



ADVERTENCIA:

Para efectuar los cortes de forma más fácil y más segura, siempre mantenga un control adecuado de la sierra. La pérdida de control podría causar un accidente, y como consecuencia posibles lesiones corporales serias.



PELIGRO:

Al levantar la sierra de la pieza de trabajo, la hoja queda expuesta en la parte inferior de la sierra hasta que cierra la protección inferior de la hoja. Asegúrese de que la protección inferior cierre antes de dejar en reposo la sierra.

Para efectuar el mejor corte que sea posible, siga estas útiles sugerencias.

- Sujete la sierra firmemente con ambas manos.
- Evite colocar la mano sobre la pieza de trabajo al efectuar un corte.
- Apoye la pieza de trabajo de manera que el corte (la ranura) le quede siempre al lado de usted.
- Apoye la pieza de trabajo cerca del corte.
- Sujete firmemente la pieza de trabajo con prensas de manera que no se mueva durante el trabajo.
- Siempre coloque la sierra en la sección apoyada de la pieza de trabajo, no en la que va a desecharse.
- Coloque la pieza de trabajo con el lado “bueno” hacia abajo.

- Trace una línea guía a lo largo de la línea de corte antes de iniciar éste.

CORTES TRANSVERSALES Y AL HILO

Vea la figura 15, página 17.

Al efectuar un corte transversal o al hilo, alinee la línea de corte con la muesca guía exterior de la base.

Puesto que el espesor de las hojas varía, siempre efectúe un corte de prueba en material desechable a lo largo de una línea guía para determinar qué tanto debe desplazar la línea guía para producir un corte preciso.

NOTA: La distancia existente de la línea de corte a la línea guía es la distancia que debe desplazar la guía.

CORTES AL HILO

Vea la figura 16, página 17.

Al efectuar cortes al hilo largos o anchos con la sierra utilice una guía.

- Asegure la pieza de trabajo.
- Sujete una regla (pieza recta) a la pieza de trabajo mediante prensas de mano.
- Corte a lo largo de la pieza recta para lograr un corte recto al hilo.

NOTA: No permita que se atore la hoja en el corte.

ESCALA DE ANCHURA DE CORTE

Vea la figura 17, página 17.

La base de la sierra dispone de una escala de anchura de corte. Al efectuar cortes rectos transversales o al hilo, puede utilizarse la escala para medir hasta 115 mm (4-1/2 pulg.) al lado derecho de la hoja. Puede emplearse para medir hasta 25 mm (1 pulg.) al lado izquierdo de la hoja.

CORTE A BISEL

Vea las figuras 18 a 19, página 17.

- Alinee la línea de corte con la muesca guía interior de la base al efectuar cortes a bisel de 45°.
- Efectúe un corte de prueba en material desechable a lo largo de una línea guía para determinar qué tanto debe desplazar la línea guía en la pieza de trabajo.
- Ajuste el ángulo de corte a cualquier grado deseado entre cero y 50°. Consulte el apartado Ajuste Del Ángulo De Bisel a continuación.

AJUSTE DEL ÁNGULO DE BISEL

Vea la figura 19, página 17.

- Afloje la perilla de ajuste de bisel.
- Suba el alojamiento del motor hasta que alcance el ángulo deseado en la escala de biseles.
- Apriete firmemente la perilla de ajuste de bisel.

FUNCIONAMIENTO

ADVERTENCIA:

Intentar efectuar un corte a bisel sin tener la perilla de ajuste del mismo apretada firmemente puede producir lesiones serias.

FORMA DE EFECTUAR CORTES A BISEL

Vea la figura 20.

- Sujete la sierra firmemente con ambas manos, como se muestra.
- Deje descansar el borde frontal de la base en la pieza de trabajo.
- Encienda la sierra y permita a la hoja alcanzar su velocidad máxima.
- Guíe la sierra introduciéndola en la pieza de trabajo y efectúe el corte.
- Suelte el gatillo y permita que se detenga completamente la hoja de corte.
- Levante la sierra de la pieza de trabajo.

CORTE EN CAVIDAD

Vea la figura 21, página 17.

ADVERTENCIA:

Siempre ajuste el ángulo de biselado a cero antes de efectuar un corte en cavidad. Si se intenta efectuar un corte en cavidad a cualquier otro ángulo puede producirse una pérdida de control de la sierra, y por consecuencia posibles lesiones serias.

- Ajuste el ángulo de bisel a cero.
- Ajuste la hoja a la profundidad correcta.
- Suba la protección inferior de la hoja con la manija correspondiente.

NOTA: Siempre suba la protección inferior de la hoja con la manija para evitar lesiones serias.

- Sostenga la protección inferior de la hoja con la manija.

ADVERTENCIA:

Nunca extienda los dedos al tener el asidero más bajo de guardia de hoja. Extender los dedos pueden tener como resultado el contacto con la hoja, por consecuencia posibles lesiones serias.

- Deje descansar la parte frontal de la base contra la pieza de trabajo, con la parte posterior del mango elevada de manera que la hoja no toque la pieza de trabajo.
- Encienda la sierra y permita a la hoja alcanzar su velocidad máxima.
- Guíe la sierra introduciéndola en la pieza de trabajo y efectúe el corte.

ADVERTENCIA:

Siempre corte avanzando hacia adelante al efectuar cortes en cavidad. Si corta retrocediendo la sierra podría subirse a la pieza de trabajo y lanzarse contra usted.

- Suelte el gatillo y permita que se detenga completamente la hoja de corte.
- Levante la sierra de la pieza de trabajo.
- Termine las esquinas con una sierra de mano o con una de vaivén.

ADVERTENCIA:

Nunca fije la protección inferior de la hoja en la posición elevada. Si se deja expuesta la hoja pueden originarse lesiones serias.

ADVERTENCIA:

Algunos polvos generados al efectuarse operaciones de lijado, aserrado, esmerilado, taladrado y de otros tipos en la construcción, contienen sustancias químicas sabidas causantes de cáncer, defectos congénitos y otras afecciones del aparato reproductor. Algunos ejemplos de estas sustancias químicas son:

- plomo de las pinturas a base de plomo,
- silicio cristalino de los ladrillos, del cemento y de otros productos de mampostería, y
- arsénico y cromo de la madera químicamente tratada.

El riesgo de la exposición a estos compuestos varía, según la frecuencia con que se realice este tipo de trabajo. Para reducir la exposición personal a este tipo de compuestos: trabaje en áreas bien ventiladas, y con equipo de seguridad aprobado, tal como las caretas para el polvo especialmente diseñadas para filtrar partículas microscópicas.

AJUSTES

ADVERTENCIA:

Para evitar un arranque accidental que podría causar lesiones corporales serias, siempre desmonte de la herramienta el paquete de baterías al montarle piezas a aquélla.

TOPE DE BISEL A 0°

Vea la figura 22, página 17.

La sierra dispone de un tope de bisel a 0° ajustado en la fábrica con el fin de asegurar un ángulo de 0° al efectuar cortes a 90°.

REVISIÓN DEL TOPE DE BISEL A 0°

- Coloque la sierra en posición invertida sobre el banco de trabajo.
- Con una escuadra de carpintero verifique la perpendicularidad de la plato de la hoja con respecto a la base.

AJUSTE DEL TOPE DE BISEL A 0°

- Afloje la perilla de ajuste de bisel.
- Gire el tornillo fijador con la llave hexagonal y ajuste la base hasta dejarla a escuadra con el plato de la hoja de la sierra.
- Apriete firmemente la perilla de ajuste de bisel.

ADVERTENCIA:

Intentar efectuar un corte a bisel sin tener la perilla de ajuste del mismo apretada firmemente puede producir lesiones serias.

MANTENIMIENTO

ADVERTENCIA:

Al dar servicio a la unidad, sólo utilice piezas de repuesto idénticas. El empleo de piezas diferentes puede causar un peligro o dañar el producto.

ADVERTENCIA:

Siempre póngase protección ocular con protección lateral con la marca de cumplimiento de la norma ANSI Z87.1. Si no cumple esta advertencia, los objetos que salen despedidos pueden producirle lesiones serias en los ojos.

ADVERTENCIA:

Para evitar lesiones corporales serias, siempre retire el paquete de baterías de la herramienta al limpiarla o darle mantenimiento.

MANTENIMIENTO GENERAL

Evite el empleo de solventes al limpiar piezas de plástico. La mayoría de los plásticos son susceptibles a diferentes tipos de solventes comerciales y pueden resultar dañados. Utilice paños limpios para eliminar la suciedad, el polvo, el aceite, la grasa, etc.

ADVERTENCIA:

No permita en ningún momento que fluidos para frenos, gasolina, productos a base de petróleo, aceites penetrantes, etc., lleguen a tocar las piezas de plástico. Las sustancias químicas pueden dañar, debilitar o destruir el plástico, lo cual a su vez puede producir lesiones corporales serias.

Solamente las piezas mostradas en la lista de piezas pueden ser reparadas o cambiadas por el consumidor. Todas las piezas restantes deben ser reemplazadas en un centro de servicio autorizado.

MANTENIMIENTO

REMOCIÓN Y PREPARACIÓN DEL PAQUETE DE BATERÍAS PARA EL RECICLADO

ADVERTENCIA:

Al retirar el paquete de baterías, cubra las terminales del mismo con cinta adhesiva reforzada. No intente destruir o desarmar el paquete de baterías, ni de desmontar ninguno de sus componentes. Las baterías deben reciclarse o desecharse debidamente. Asimismo, nunca toque ambas terminales con objetos metálicos y partes del cuerpo, ya que puede producirse un corto circuito. Manténgase fuera del alcance de los niños. La inobservancia de estas advertencias puede causar incendios y lesiones corporales serias.

ACCESORIOS

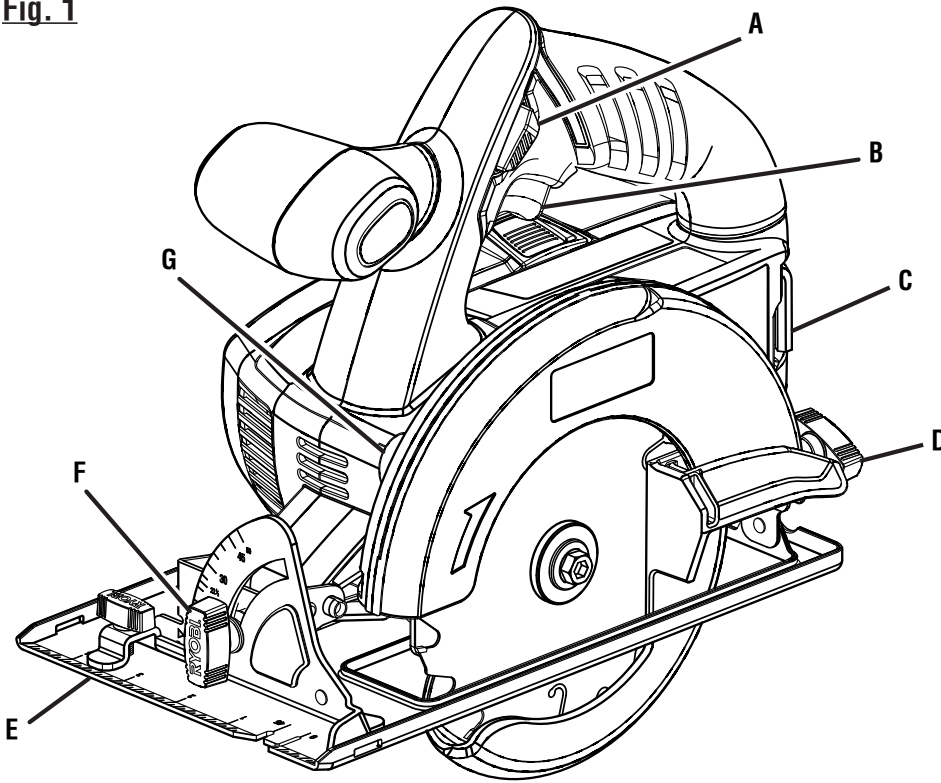
Los siguientes accesorios recomendados se encuentran en las tiendas al menudeo:

- Hoja de 5-1/2 pulg. de corte delgado
- Guía de cantos

ADVERTENCIA:

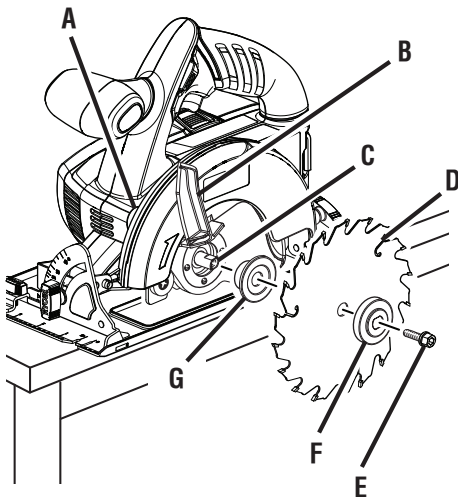
Arriba se señalan los aditamentos y accesorios disponibles para usarse con este producto. No utilice ningún aditamento o accesorio no recomendado por el fabricante de este producto. El empleo de aditamentos o accesorios no recomendados podría causar lesiones serias.

Fig. 1



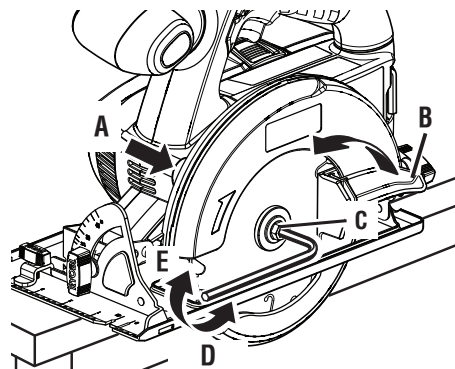
- A - Lock-off button (bouton de verrouillage, botón del seguro de apagado)
- B - Switch trigger (gâchette de commutateur, switch trigger)
- C - Blade wrench storage area (rangement de clé de lame, área de guardar la llave de la hoja)
- D - Depth adjustment knob (bouton de réglage de profondeur, perilla de ajuste de profundidad)
- E - Width of cut scale (échelle de largeur de la coupe, escala de anchura)
- F - Bevel adjustment knob (bouton de réglage de biseau, perilla de ajuste de bisel)
- G - Spindle lock button (bouton de verrouillage de broche, botón del seguro del husillo)

Fig. 2



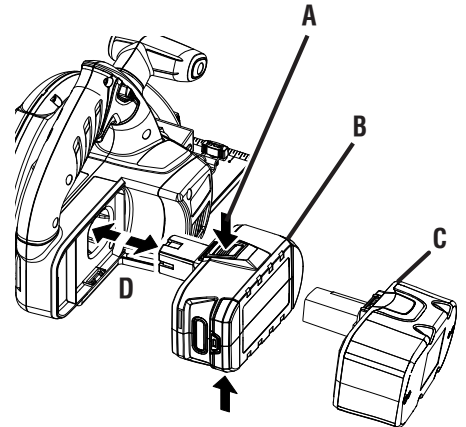
- A - Spindle lock lever (bouton de verrouillage de broche, botón del seguro del husillo)
- B - Lower blade guard handle (poignée de garde de lame inférieur, mango de la protección inferior de la hoja)
- C - Spindle (broche, husillo)
- D - Blade (lame, hoja)
- E - Bladescrew (boulon de lame, tornillo de la hoja)
- F - Outer blade washer (rondelle de lame extérieure, arandela exterior de la hoja)
- G - Inner blade washer (rondelle de lame intérieure, arandela interior de la hoja)

Fig. 3



- A - Spindle lock (verrouillage de broche, husillo con seguro)
- B - Lower blade guard lever (levier de garde de lame inférieur, palanca de la protección inferior de la hoja)
- C - Blade screw (vis de lame, tornillo de hoja)
- D - To tighten (pour serrer, para apretar)
- E - To loosen (pour desserrer, para aflojar)

Fig. 4



- A - Depress latches to remove battery pack (appuyer sur les loquets pour libérer le bloc de piles, para soltar el paquete de baterías, oprima los pestillos)
- B - P104 lithium-ion battery pack (P104 lithium ion bloc de batteries, P104 de ions de litio paquete de baterías) or/ou/o
- C - P100 nickel-cadmium battery pack (P100 nickel cadmium bloc de batteries, P100 niquel-cadmio paquete de baterías)
- D - To install (pour installer, para instalar)

Fig. 5

**KICKBACK - BLADE SET TOO DEEP
(REBOND - PROFONDEUR DE COUPE
EXCESSIVE, CONTRAGOLPE - LA HOJA
SE AJUSTO MUY PROFUNDA)**

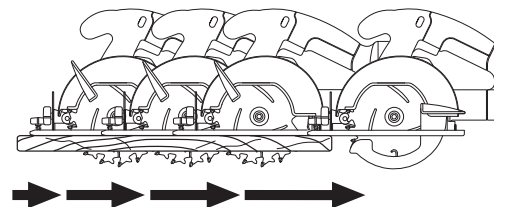
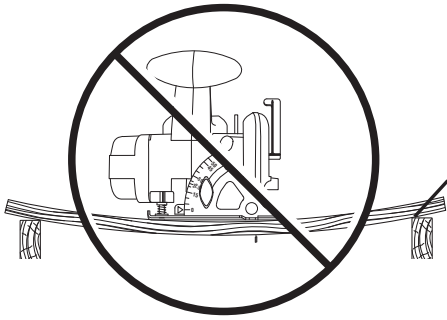


Fig. 6

**INCORRECT SUPPORT
(SUPPORT INCORRECT,
SOPORTE INCORRECTO)**



**WRONG
(MAL, INCORRECTO)**

Fig. 7

**CORRECT BLADE DEPTH SETTING =
BLADE EXPOSED 1/4 in. (6.35 mm) OR
LESS ON UNDERSIDE OF WORKPIECE**

**(RÉGLAGE DE PROFONDEUR DE COUPE
CORRECT = LA LAME DÉPASSE DE 1/4
PO (6,4 MM) OU MOINS AU-DESSOUS
DE LA PIÈCE, AJUSTE CORRECTO DE LA
PROFUNDIDAD DE LA HOJA = HOJA EX-
PUESTA 1/4 PULG. (6,35 MM) O MENOS
BAJO LA PIEZA DE TRABAJO)**

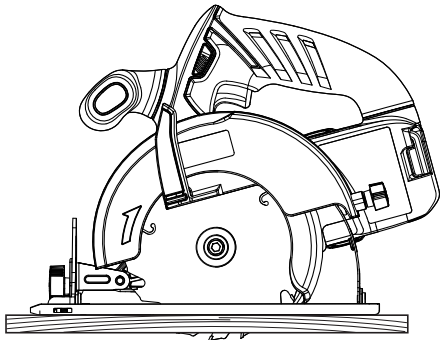


Fig. 8

**CORRECT SUPPORT
(SUPPORT CORRECT,
SOPORTE CORRECTO)**

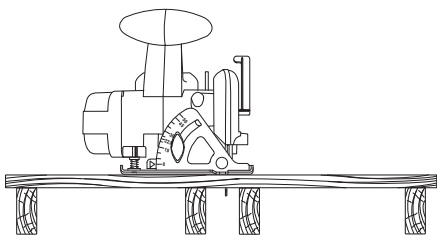
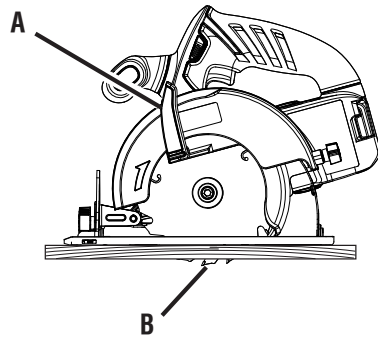


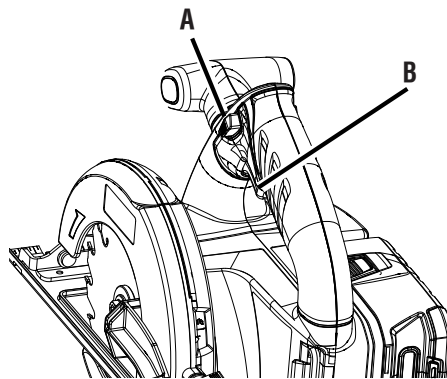
Fig. 9



A - Lower blade guard is in up position when making a cut (pendant la coupe, la garde inférieure est relevée, la protección inferior de la hoja está en la posición elevada al efectuarse cortes)

B - Blade exposed on underside of workpiece (lame dépassant au-dessous de la pièce, porción expuesta de la hoja bajo la pieza de trabajo)

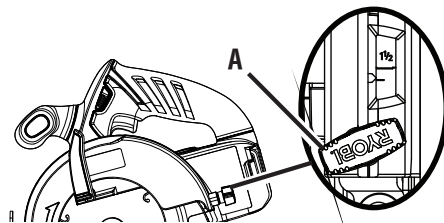
Fig. 10



A - Lock-off button (bouton de verrouillage, botón del seguro de apagado)

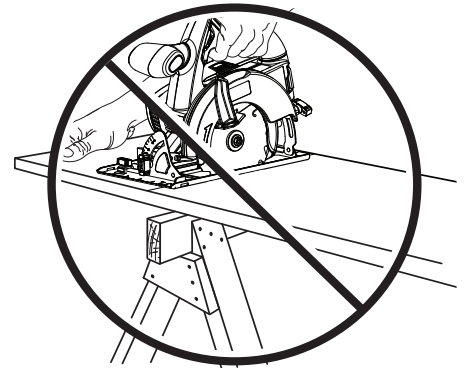
B - Switch trigger (gâchette de commutateur, gatillo del interruptor)

Fig. 11



A - Depth adjustment knob (bouton de réglage de profondeur, perilla de ajuste de profundidad)

Fig. 12



**WRONG
(MAL, INCORRECTO)**

Fig. 13

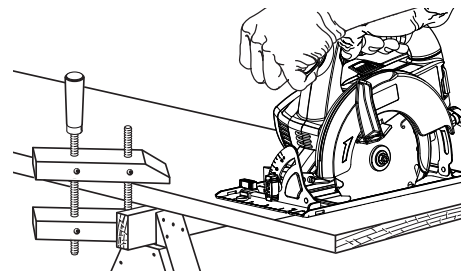
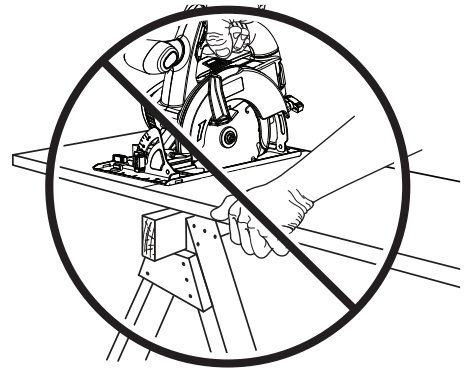


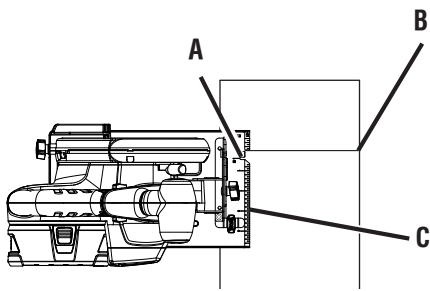
Fig. 14



**WRONG
(MAL, INCORRECTO)**

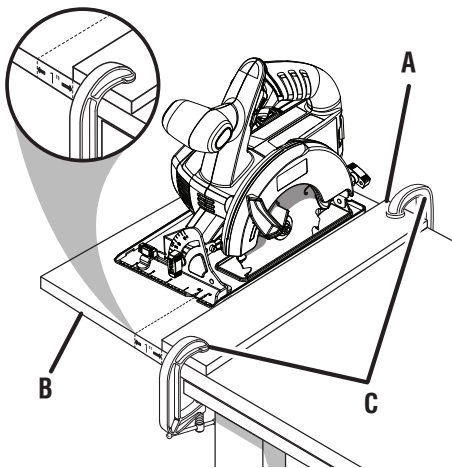
Fig. 15

**TOP VIEW OF SAW
(VUE SUPÉRIEURE DE SCIE,
VISTA SUPERIOR DE LA SIERRA)**



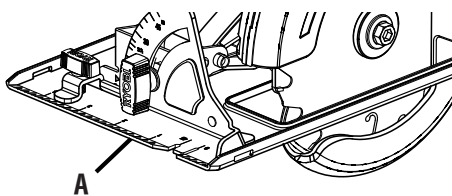
- A - Blade guide notch (encoche guide de lame, muesas guía de la hoja)
- B - Guideline (ligne de coupe, línea guía)
- C - Front of saw (avant de la scie, parte frontal de la sierra)

Fig. 16



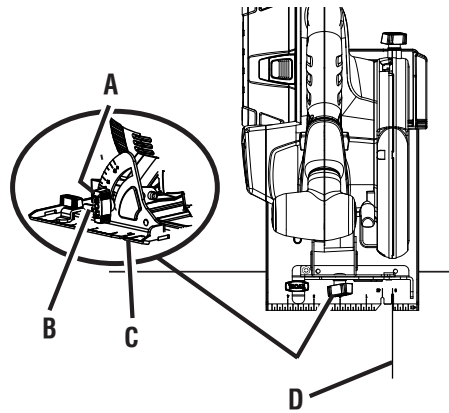
- A - Straight edge (règle, regla)
- B - Workpiece (pièce, pieza de trabajo)
- C - C-Clamp (serre-joint, prensa en C)

Fig. 17



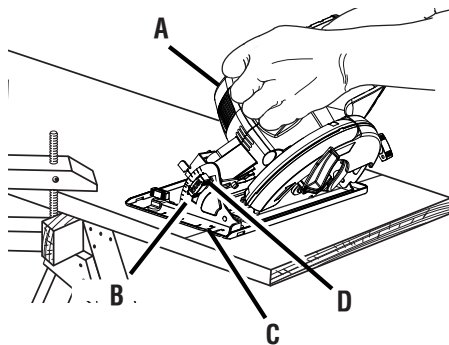
- A - Width of cut scale (échelle de largeur de la coupe, ancho de corte)

Fig. 18



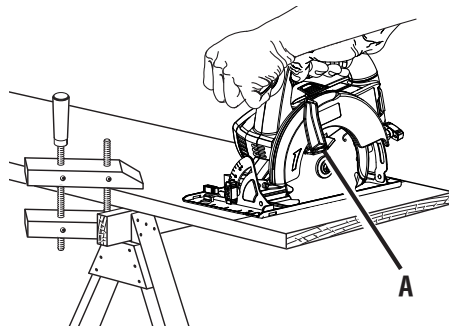
- A - Bevel adjustment knob (bouton de réglage de biseau, perilla de ajuste de biseau)
- B - Bevel scale (échelle de biseau, escala de biseau)
- C - Blade guide notch (encoche guide de lame, muesas guía de la hoja)
- D - Guideline (ligne de coupe, línea guía)

Fig. 19



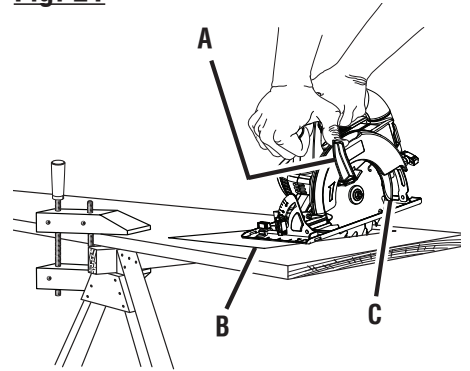
- A - Motor housing (boîtier du moteur, alojamiento del motor)
- B - Bevel scale (échelle de biseau, escala de biseau)
- C - Blade guide notch (encoche guide de lame, muesas guía de la hoja)
- D - Bevel adjustment knob (bouton de réglage de biseau, perilla de ajuste de biseau)

Fig. 20



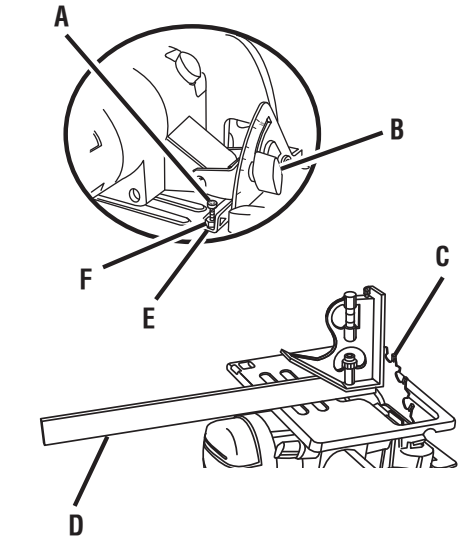
- A - Lower blade guard (garde de lame inférieure, protección inferior de la hoja)

Fig. 21



- A - Lower blade guard handle (poignée de garde de lame inférieure, manija de la protección inferior de la hoja)
- B - Pocket cut (évidement, corte en cavidad)
- C - Lower blade guard (garde de lame inférieure, protección inferior de la hoja)

Fig. 22



- A - Adjustment screw (vis de réglage, tornillo de ajuste)
- B - Bevel adjustment knob (bouton de réglage de biseau, perilla de ajuste de biseau)
- C - Blade (lame, hoja)
- D - Carpenter's square (équerre de charpentier, escuadra de carpintero)
- E - Positive 0° bevel stop (butée fixe de biseau à 0°, tope de biseau à 0°)
- F - Hex nut (écrous à six pans, tuerca hexagonal)

