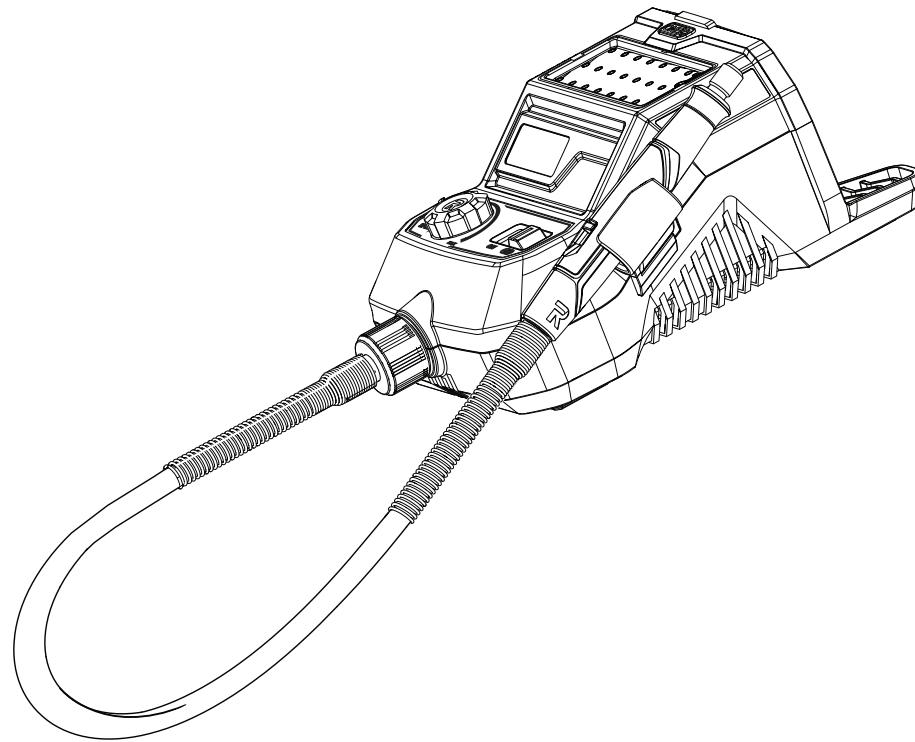


# REPAIR SHEET

BRAND <b>RYOBI</b>	DESCRIPTION <b>18 Volt Rotary Tool</b>
MODEL NO. <b>P460</b>	

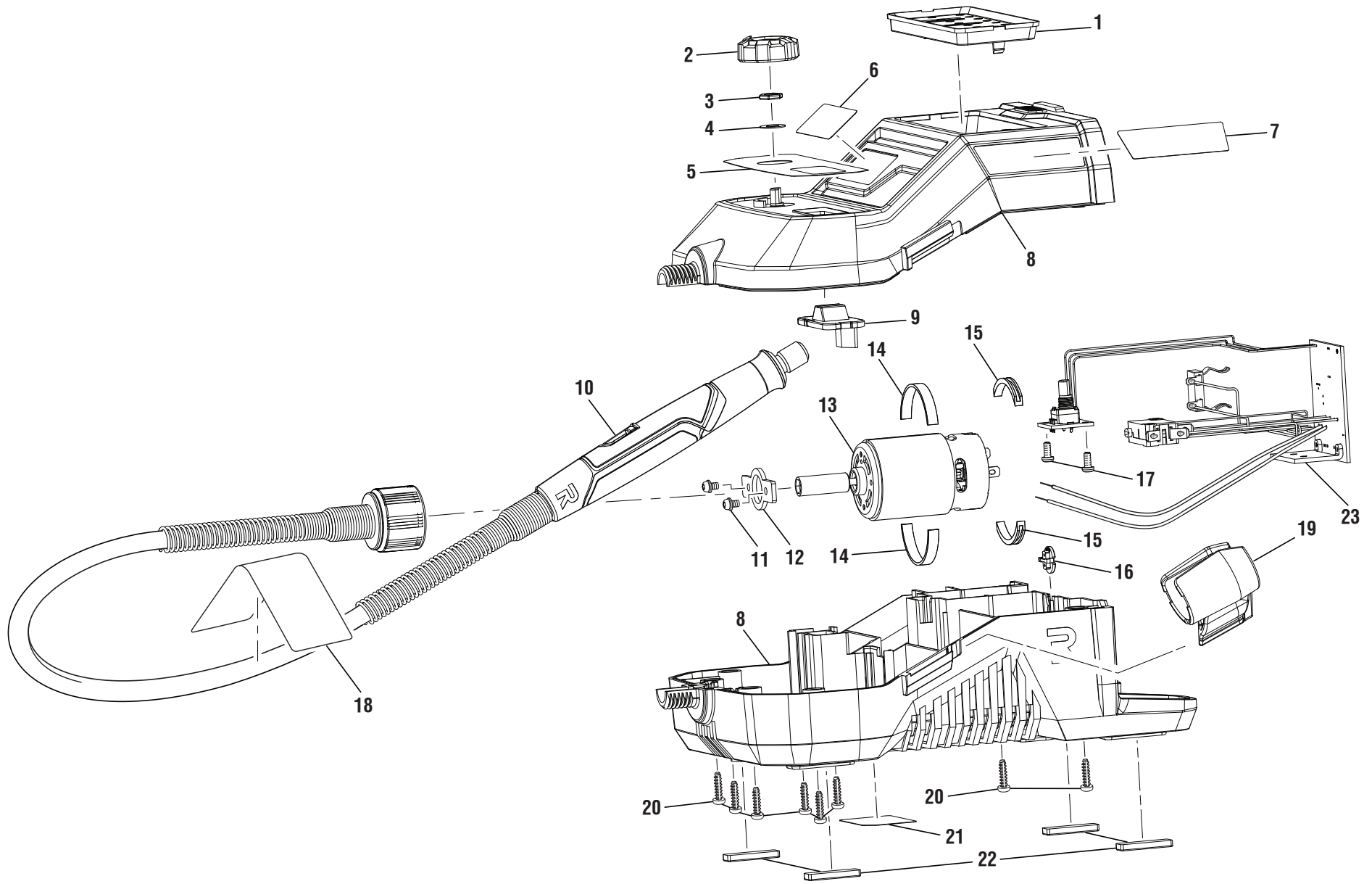


**ONE WORLD TECHNOLOGIES, INC.**

P.O. Box 1288, Anderson, SC 29622 ■ 1-800-525-2579 ■ [www.ryobitools.com](http://www.ryobitools.com)

8-24-20 (Rev:02)

*The model number and manufacturing location will be found on a label attached to the product. Always mention this information in all communications regarding this product and when ordering parts.*

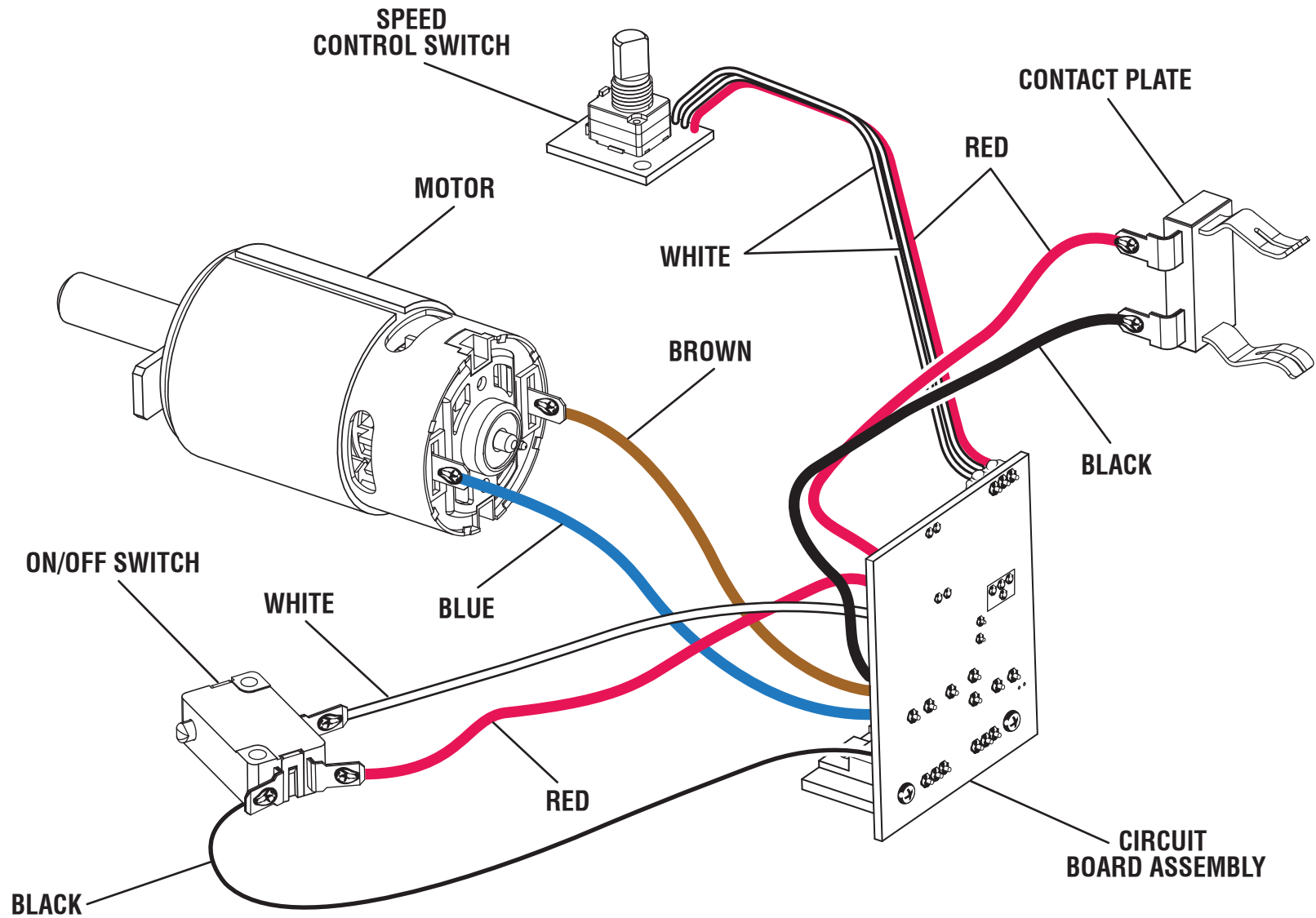


### PARTS LIST

KEY NO.	PART NO.	DESCRIPTION	QTY.
1	536179001	Accessories Holder	1
2	536286001	Speed Control Dial	1
3	696813001	Hex Nut (M7)	1
4	696814001	Washer (ID7 x OD12 x 0.5t)	1
5	941001704	On/Off and Speed Control Label	1
6	940114178	Logo Label	1
7	941120381	Warning Label	1
8-CN	204912003	Housing Assembly (Inc. Key Nos. 5-7 and 21)	1
8-VN	204912013	Housing Assembly (Inc. Key Nos. 5-7 and 21)	1
9	536072001	Switch Actuator	1
10	204912004	Flexible Shaft Assembly (Inc. Key No. 18)	1
11	662308001	Screw w/Washer (M3 x 5 mm, T10 Torx Pan Hd.)	2
12	635626001	Motor Mount	1
13	206826001	Motor Assembly (Inc. Key No. 14)	1

KEY NO.	PART NO.	DESCRIPTION	QTY.
14	562821002	Foam Rubber (Motor Case)	2
15	562822001	Rubber Cushion (Motor Case)	2
16	536108001	Door Cover	1
17	660438002	Screw (M3 x 8 mm, T10 Torx Pan Hd.)	2
18	941120407	Flex Shaft Warning Label (Hang Tag)	1
19	536073001	Pen Clip	1
20	660024018	Screw (M4 x 16 mm, T20 Torx Pan Hd.)	8
21-CN	941122063	Data Label	1
21-VN	941122746	Data Label	1
22	564836001	Rubber Foot	4
23	204912005	Circuit Board Assembly	1
	<b>Not Shown:</b>		
	314435001	Rotary Tool Head Accessories (33 Pieces)	
	995000623	Operator's Manual (961152941)	

If a key no. shows multiple part numbers, please order the part that corresponds with the country of origin shown on the product's data label. CN = China VN = Vietnam



**WIRING DIAGRAM**