

REPAIR SHEET

BRAND

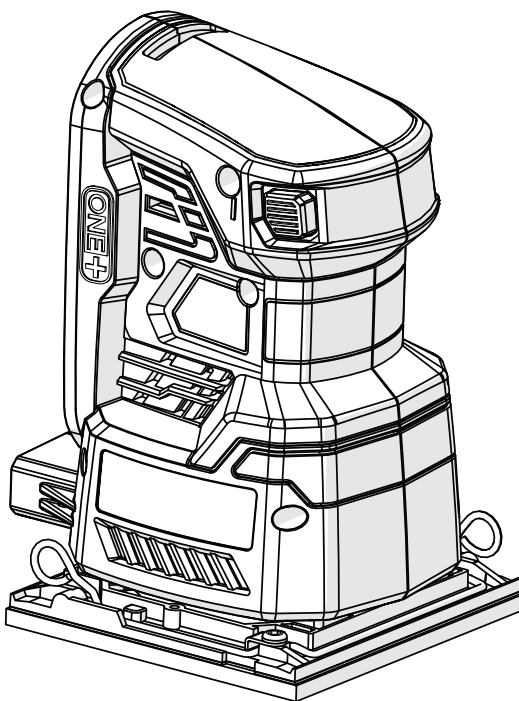
RYOBI

DESCRIPTION

18 Volt 1/4 Sheet Sander

MODEL NO.

P440

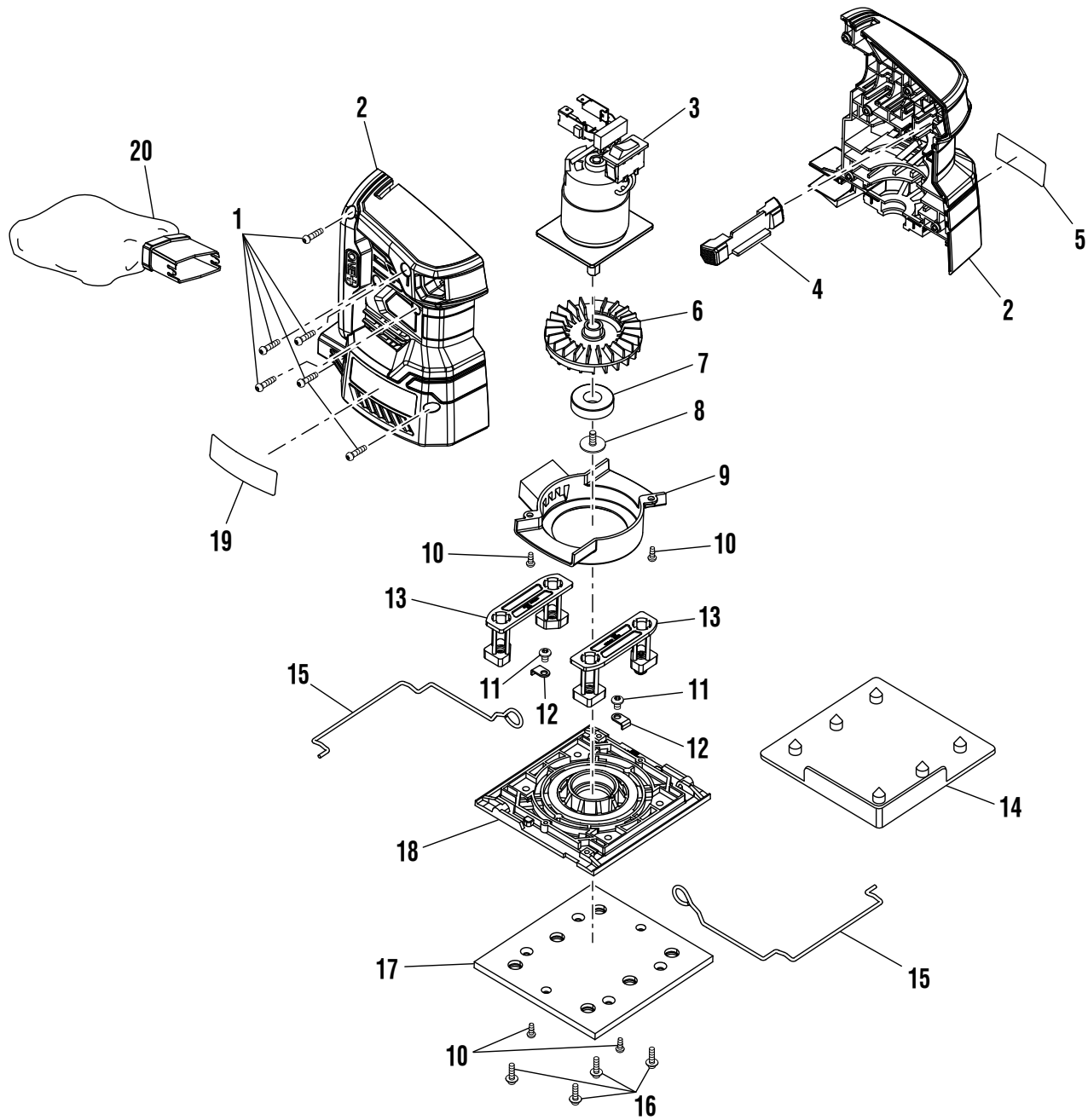


TTI CONSUMER POWER TOOLS, INC.

P.O. Box 1288, Anderson, SC 29622 ■ 1-800-525-2579 ■ www.ryobitools.com

3-7-22 (Rev:04)

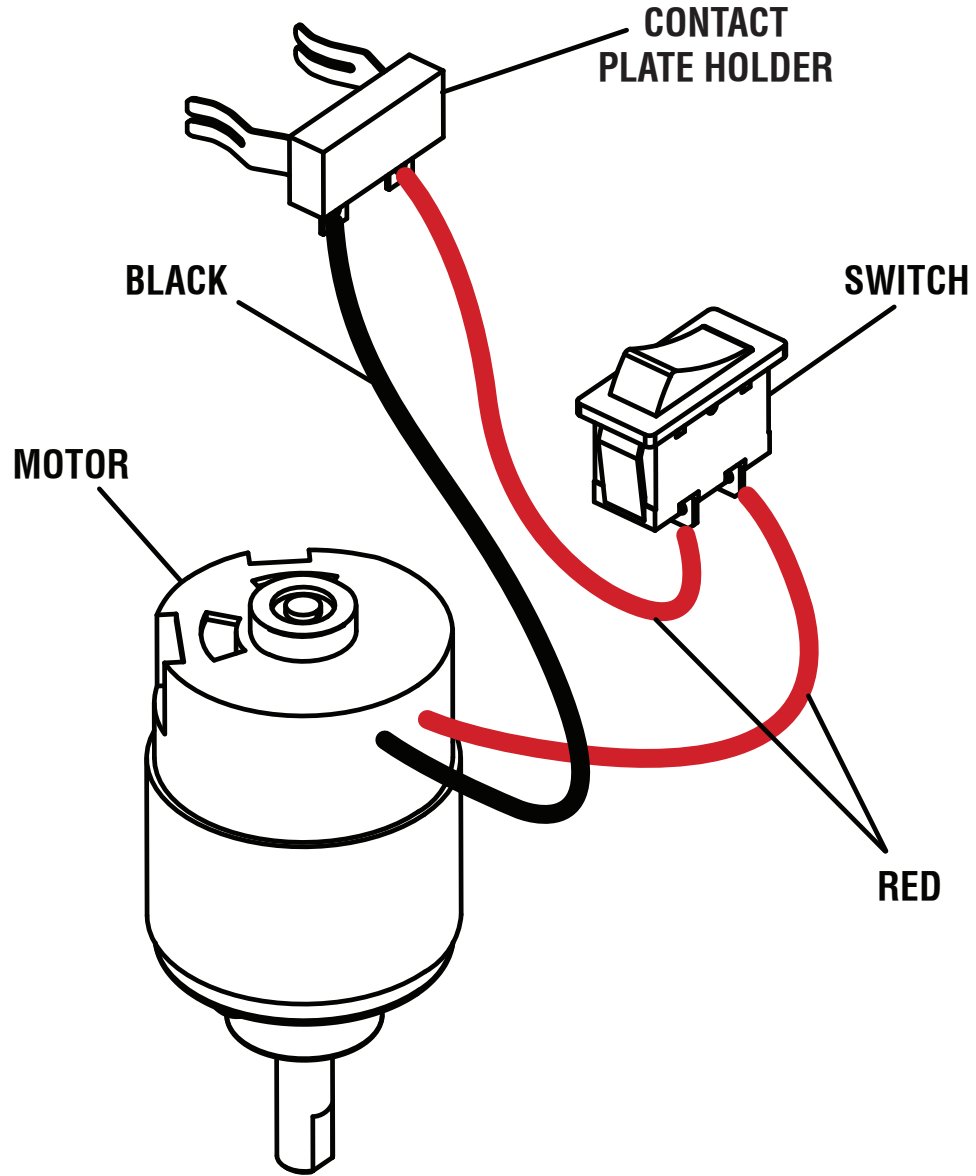
The model number and manufacturing location will be found on a label attached to the product. Always mention this information in all communications regarding this product and when ordering parts.



PARTS LIST

KEY NO.	PART NO.	DESCRIPTION	QTY.
1	660815002	Screw (M3.5 x 13.5 mm, T10 Torx Pan Hd. S.T.)	6
2-CN	204438001	Housing Assembly (Inc. Keys Nos. 5 & 19)	1
2-VN	204438004	Housing Assembly (Inc. Keys Nos. 5 & 19)	1
3	206548001	Motor and Switch Assembly	1
4	532266001	Actuator	1
5-CN	940114179	Logo Label	1
5-VN	940140031	Logo Label	1
6	642964001	Fan	1
7	681053001	Ball Bearing (6601 2RS CW)	1
8	660369006	Screw w/Washer (8-32 x 3/8 in., T20 Torx Pan Hd.)	1
9	532275001	Fan Guide	1
10	660438002	Screw (M3 x 8 mm, T10 Torx Pan Hd.)	4
11	660367005	Screw (6-19 x 5/16 in., T15 Torx Pan Hd.)	2
12	637874001	Retaining Plate	2

KEY NO.	PART NO.	DESCRIPTION	QTY.
13	312399001	Post Cushion	2
14	532281001	Paper Punch	1
15	695969001	Paper Clamp	2
16	661043002	Screw w/Washer (M3 x 15 mm, T10 Torx Pan Hd.)	4
17	204441001	Plate w/Cushion Assembly	1
18	204440001	Platen Assembly	1
19-CN	941121858	Data Label	1
19-VN	941124021	Data Label	1
20	204442001	Dust Bag Assembly	1
	Not Shown:		
	903302001	Sandpaper (80 Grit)	
	903303001	Sandpaper (120 Grit)	
	903304001	Sandpaper (220 Grit)	
	995000125	Operator's Manual (961153142)	



WIRING DIAGRAM