

# REPAIR SHEET

BRAND

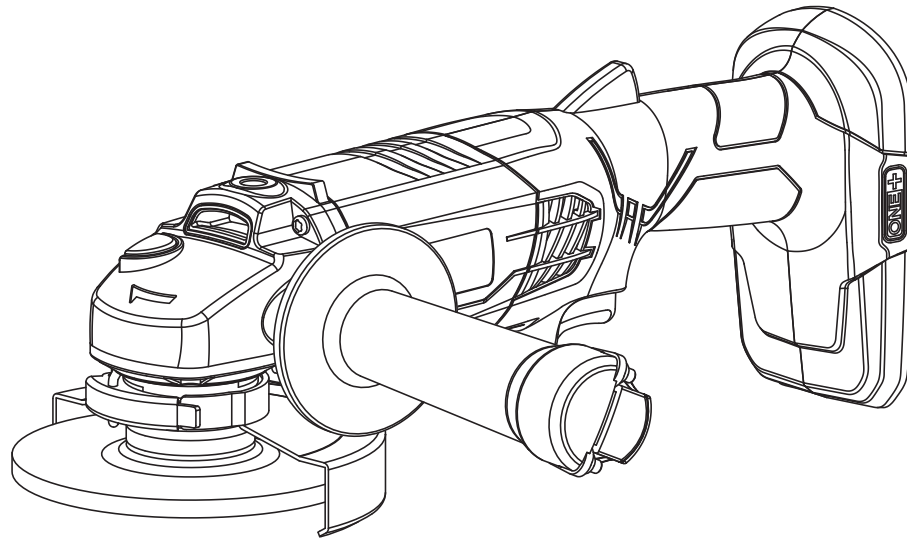
**RYOBI**

DESCRIPTION

**18 Volt Angle Grinder**

MODEL NO.

**P4221**

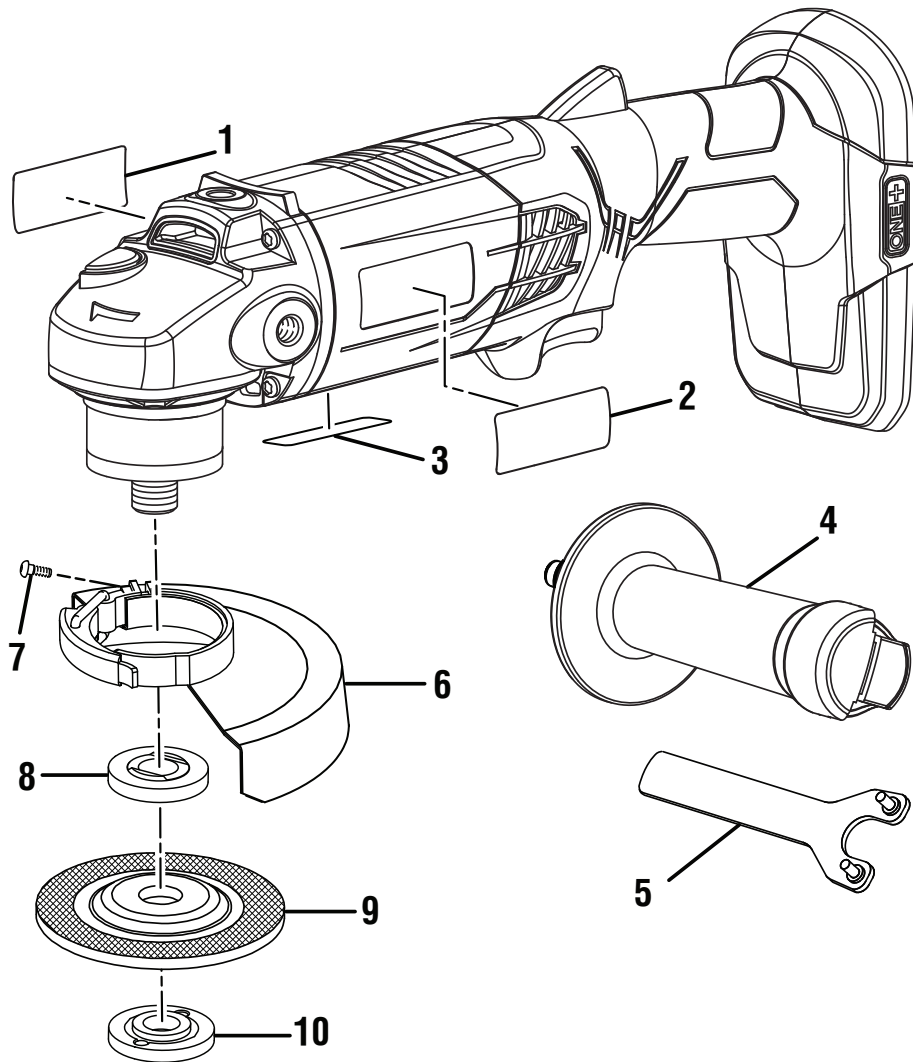


**TTI CONSUMER POWER TOOLS, INC.**

P.O. Box 1288, Anderson, SC 29622 ■ 1-800-525-2579 ■ [www.ryobitools.com](http://www.ryobitools.com)

2-14-22 (Rev:04)

*The model number and manufacturing location will be found on a label attached to the product. Always mention this information in all communications regarding this product and when ordering parts.*



**PARTS LIST**

KEY NO.	PART NO.	DESCRIPTION	QTY.
1-CN	941121386	Data Label	1
1-TH	01949801901K	Data Label	
2	941114319	Logo Label	1
3	941120093	Warning Label	1
4	039029021007	Auxilliary Handle	1
5	019498008057	Wrench	1
6	019498020101	Wheel Guard Assembly (Inc. Key No. 7)	1
7	019498008004	Screw (M5 x 16 mm)	1
8	019498008002	Disc Flange	1
9	019498019108	Grinding Wheel Assembly	1
10	019498008001	Clamp Nut	1
	<b>Not Shown:</b>		
	991000125	Operator's Manual (01949801901Q)	

*If a key no. shows multiple part numbers, please order the part that corresponds with the country of origin shown on the product's data label. CN = China TH = Thailand*