

REPAIR SHEET

BRAND

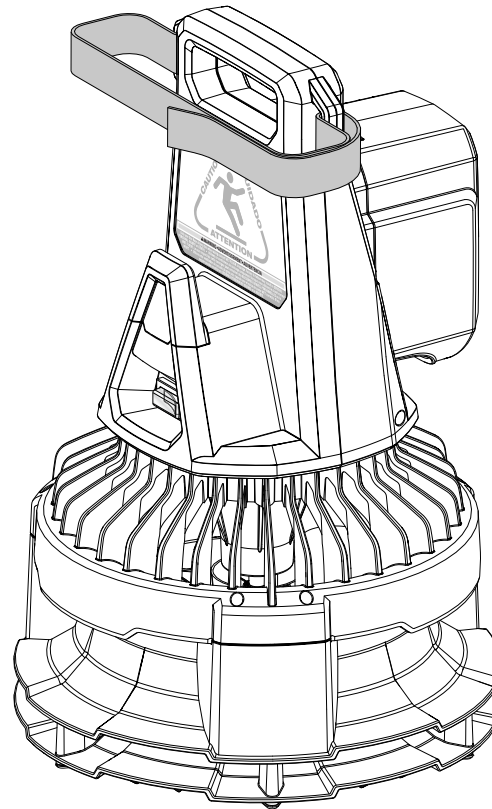
RYOBI

DESCRIPTION

18 Volt Hybrid Surface Dryer

MODEL NO.

P3330



ONE WORLD TECHNOLOGIES, INC.

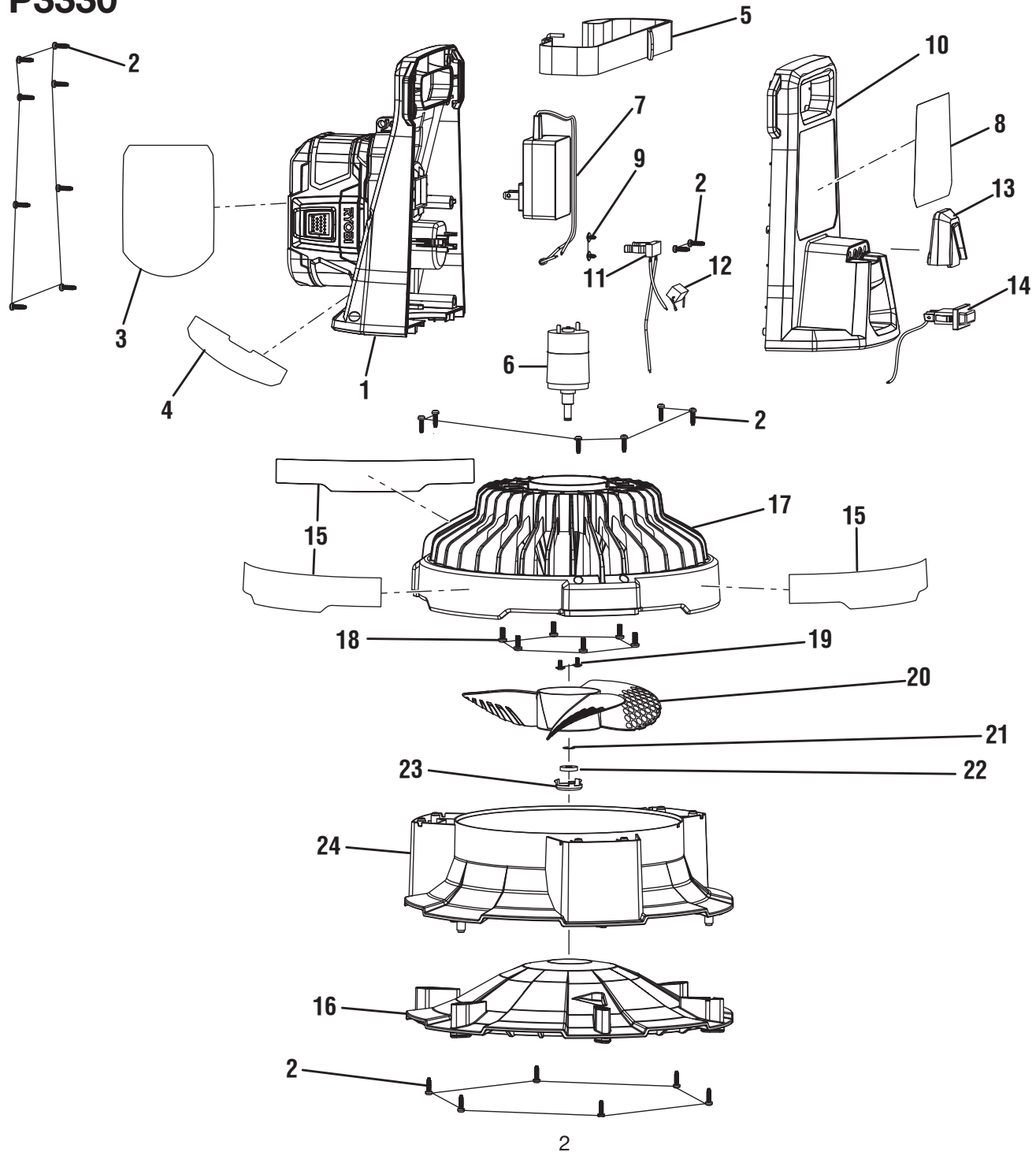
P.O. Box 1288, Anderson, SC 29622 ■ 1-800-525-2579 ■ www.ryobitools.com

3-4-21 (Rev:02)

The model number and manufacturing location will be found on a label attached to the product. Always mention this information in all communications regarding this product and when ordering parts.

RYOBI

P3330



PARTS LIST

KEY NO.	PART NO.	DESCRIPTION	QTY.
1	019047001102	Battery Door, Housing and Bearing Assembly (Inc. Key Nos. 3-4)	1
2	019047001002	Screw (M3.5 x 12 mm)	22
3	01904700103K	Battery Door C Label	1
4	01904700102K	Data Label	1
5	019047001103	Strap Assembly	1
6	019047001104	Motor and D-Bearing Assembly	1
7	019047001101	Adaptor and Diode Assembly	1
8	01904700104K	Caution Label	1
9	019047001009	Screw (M3.0 x 6 mm)	2
10	019047001010	Front Upper Housing (Inc. Key No. 8)	1
11	019047001011	Battery Contact Plate	1
12	019047001012	Resistor	1
13	019047001013	Sign Rest	1

KEY NO.	PART NO.	DESCRIPTION	QTY.
14	019047001014	Switch	1
15	01904700101K	Logo Label	3
16	019047001105	Exhaust Housing and Feet Assembly	1
17	019047001017	Intake Vent Housing (Inc. Key No. 15)	1
18	019047001018	Screw (M4 x 10 mm)	6
19	019047001019	Screw (M3 x 6 mm)	2
20	019652001005	Fan Blade	1
21	019652001004	E-Clip	1
22	019652001003	Washer Gasket	1
23	019652001002	Blade Cap	1
24	019047001020	Main Bell Housing	1
	Not Shown:		
	995000919	Operator's Manual	

▲ WARNING: Improper repair of a double insulated tool can result in damages to the double insulation system possibly causing electrical shock or electrocution. Any repairs requiring disassembly of your tool requires safety testing and should only be performed by a RYOBI Authorized Service Center. For the service center nearest you call 1-800-525-2579.

