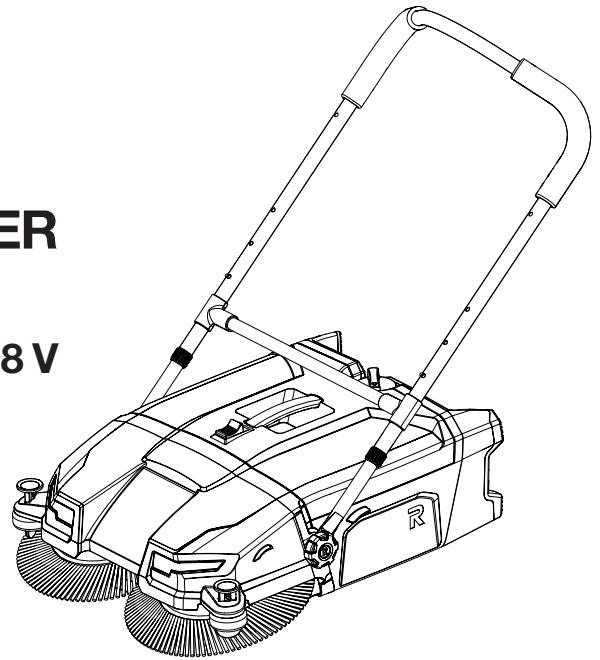




OPERATOR'S MANUAL
MANUEL D'UTILISATION
MANUAL DEL OPERADOR
18V DEVOUR™ CORDLESS SWEEPER
BALAYEUSE SANS FIL DEVOUR™ DE 18 V
BARREDOR INALÁMBRICO DEVOUR™ DE 18 V
P3260



**EN MEXICO:
 PARA MAS INFORMACION
 WWW.RYOBITOOLS.MX**
SERVICIO AL CLIENTE
 01-800-843-1111

INCLUDES: Upper Handle, Lower Handles, Cordless Sweeper, Operator's Manual

TABLE OF CONTENTS

- General Power Tool
Safety Warnings.....2-3
- Cordless Sweeper
Safety Warnings.....4
- Symbols.....5
- Features.....6
- Assembly.....6-7
- Operation.....7-8
- Maintenance.....9
- Illustrations11-13
- Parts Ordering
and ServiceBack page

⚠ WARNING: To reduce the risk of injury, the user must read and understand the operator's manual before using this product.

SAVE THIS MANUAL FOR FUTURE REFERENCE

INCLUT : poignée supérieure, poignées inférieure, balayeuse sans fil, manuel d'utilisation

TABLE DES MATIÈRES

- Avertissements de sécurité générales relatives aux outils électriques.....2-3
- Avertissements de sécurité relatifs au balayeuse sans fil4
- Symboles.....5
- Caractéristiques6
- Assemblage.....6-7
- Utilisation7-8
- Entretien9
- Illustrations11-13
- Commande de pièces et dépannagePage arrière

⚠ AVERTISSEMENT : Pour réduire les risques de blessures, l'utilisateur doit lire et veiller à bien comprendre le manuel d'utilisation avant d'employer ce produit.

CONSERVER CE MANUEL POUR FUTURE RÉFÉRENCE

INCLUYE: mango superior, mangos inferior, barredor inalámbrico, manual del operador

ÍNDICE DE CONTENIDO

- Advertencias de seguridad para herramientas eléctrica 2-3
- Advertencias de seguridad para barredor inalámbrico4
- Símbolos.....5
- Características.....6
- Armado6-7
- Funcionamiento7-8
- Mantenimiento9
- Ilustraciones.....11-13
- Pedidos de piezas y servicio.....Pág. posterior

⚠ ADVERTENCIA: Para reducir el riesgo de lesiones, el usuario debe leer y comprender el manual del operador antes de usar este producto.

GUARDE ESTE MANUAL PARA FUTURAS CONSULTAS

GENERAL POWER TOOL SAFETY WARNINGS



WARNING

Read all safety warnings, instructions, illustrations and specifications provided with this power tool. Failure to follow all instructions listed below may result in electric shock, fire and/or serious injury.

Save all warnings and instructions for future reference.

The term “power tool” in the warnings refers to your mains-operated (corded) power tool or battery-operated (cordless) power tool.

WORK AREA SAFETY

- **Keep work area clean and well lit.** Cluttered or dark areas invite accidents.
- **Do not operate power tools in explosive atmospheres, such as in the presence of flammable liquids, gases or dust.** Power tools create sparks which may ignite the dust or fumes.
- **Keep children and bystanders away while operating a power tool.** Distractions can cause you to lose control.

ELECTRICAL SAFETY

- **Power tool plugs must match the outlet. Never modify the plug in any way. Do not use any adapter plugs with earthed (grounded) power tools.** Unmodified plugs and matching outlets will reduce risk of electric shock.
- **Avoid body contact with earthed or grounded surfaces, such as pipes, radiators, ranges and refrigerators.** There is an increased risk of electric shock if your body is earthed or grounded.
- **Do not expose power tools to rain or wet conditions.** Water entering a power tool will increase the risk of electric shock.
- **Do not abuse the cord. Never use the cord for carrying, pulling or unplugging the power tool. Keep cord away from heat, oil, sharp edges or moving parts.** Damaged or entangled cords increase the risk of electric shock.
- **When operating a power tool outdoors, use an extension cord suitable for outdoor use.** Use of a cord suitable for outdoor use reduces the risk of electric shock.
- **If operating a power tool in a damp location is unavoidable, use a ground fault circuit interrupter (GFCI) protected supply.** Use of a GFCI reduces the risk of electric shock.
- **Use battery only with charger listed.** For use with 18V lithium-ion battery packs, see tool/appliance/battery pack/charger correlation supplement 987000-432.
- **When using a power cord, protect the power cord from being walked on or pinched particularly at plugs, convenience receptacles, and the point where they exit from the product.**

PERSONAL SAFETY

- **Stay alert, watch what you are doing and use common sense when operating a power tool. Do not use a power tool while you are tired or under the influence of drugs, alcohol or medication.** A moment of inattention while operating power tools may result in serious personal injury.
- **Use personal protective equipment. Always wear eye protection.** Protective equipment such as dust mask, non-skid safety shoes, hard hat, or hearing protection used for appropriate conditions will reduce personal injuries.
- **Prevent unintentional starting. Ensure the switch is in the off-position before connecting to power source and/or battery pack, picking up or carrying the tool.** Carrying power tools with your finger on the switch or energizing power tools that have the switch on invites accidents.
- **Remove any adjusting key or wrench before turning the power tool on.** A wrench or a key left attached to a rotating part of the power tool may result in personal injury.
- **Do not overreach. Keep proper footing and balance at all times.** This enables better control of the power tool in unexpected situations.
- **Dress properly. Do not wear loose clothing or jewelry. Keep your hair, clothing and gloves away from moving parts.** Loose clothes, jewelry or long hair can be caught in moving parts.
- **If devices are provided for the connection of dust extraction and collection facilities, ensure these are connected and properly used.** Use of dust collection can reduce dust-related hazards.
- **Do not let familiarity gained from frequent use of tools allow you to become complacent and ignore tool safety principles.** A careless action can cause severe injury within a fraction of a second.
- **Do not wear loose clothing or jewelry.** Contain long hair. Loose clothes, jewelry, or long hair can be drawn into air vents.
- **Do not use on a ladder or unstable support.** Stable footing on a solid surface enables better control of the power tool in unexpected situations.

POWER TOOL USE AND CARE

- **Do not force the power tool. Use the correct power tool for your application.** The correct power tool will do the job better and safer at the rate for which it was designed.
- **Do not use the power tool if the switch does not turn it on and off.** Any power tool that cannot be controlled with the switch is dangerous and must be repaired.

GENERAL POWER TOOL SAFETY WARNINGS

- **Disconnect the plug from the power source and/or remove the battery pack, if detachable, from the power tool before making any adjustments, changing accessories, or storing power tools.** Such preventive safety measures reduce the risk of starting the power tool accidentally.
- **Store idle power tools out of the reach of children and do not allow persons unfamiliar with the power tool or these instructions to operate the power tool.** Power tools are dangerous in the hands of untrained users.
- **Maintain power tools and accessories. Check for misalignment or binding of moving parts, breakage of parts and any other condition that may affect the power tool's operation. If damaged, have the power tool repaired before use.** Many accidents are caused by poorly maintained power tools.
- **Keep cutting tools sharp and clean.** Properly maintained cutting tools with sharp cutting edges are less likely to bind and are easier to control.
- **Use the power tool, accessories and tool bits etc. in accordance with these instructions, taking into account the working conditions and the work to be performed.** Use of the power tool for operations different from those intended could result in a hazardous situation.
- **Keep handles and grasping surfaces dry, clean and free from oil and grease.** Slippery handles and grasping surfaces do not allow for safe handling and control of the tool in unexpected situations.
- **Use power tools only with specifically designated battery packs.** Use of any other battery packs may create a risk of injury and fire.
- **When battery pack is not in use, keep it away from other metal objects, like paper clips, coins, keys, nails, screws or other small metal objects, that can make a connection from one terminal to another.** Shorting the battery terminals together may cause burns or a fire.
- **Under abusive conditions, liquid may be ejected from the battery; avoid contact. If contact accidentally occurs, flush with water. If liquid contacts eyes, additionally seek medical help.** Liquid ejected from the battery may cause irritation or burns.
- **Do not use a battery pack or tool that is damaged or modified.** Damaged or modified batteries may exhibit unpredictable behavior resulting in fire, explosion, or risk of injury.
- **Do not expose a battery pack or tool to fire or excessive temperature.** Exposure to fire or temperature above 265° F may cause explosion.
- **Follow all charging instructions and do not charge the battery pack or tool outside the temperature range specified in the instructions.** Charging improperly or at temperatures outside the specified range may damage the battery and increase the risk of fire.

BATTERY TOOL USE AND CARE

- **Recharge only with the charger specified by the manufacturer.** A charger that is suitable for one type of battery pack may create a risk of fire when used with another battery pack.
- **Have your power tool serviced by a qualified repair person using only identical replacement parts.** This will ensure that the safety of the power tool is maintained.
- **Never service damaged battery packs.** Service of battery packs should only be performed by the manufacturer or authorized service provider.

SERVICE




CORDLESS SWEEPER SAFETY WARNINGS

- Know your cordless sweeper. Read operator's manual carefully. Learn its applications and limitations, as well as the specific potential hazards related to this cordless sweeper. Following this rule will reduce the risk of electric shock, fire, or serious injury.
- Do not sweep chemicals, fertilizers, or any other toxic substances. Sweeping these materials can cause them to become airborne and could result in serious injury to the operator or bystanders.
- Use only accessories that are recommended by the manufacturer for your model. Accessories that may be suitable for one tool may create a risk of injury when used on another tool.
- This unit is for dry sweeping only. Do not use to clean up liquids.
- Never direct discharge of material toward bystanders or allow anyone near the area of operation. Use care in directing discharge to avoid glass enclosures, automobiles, and the like.
- Wear sturdy and dry shoes or boots. Do not operate while barefoot.
- Always wear safety glasses with side shields. Everyday glasses have only impact resistant lenses. They are NOT safety glasses. Following this rule will reduce the risk of eye injury.
- Always wear eye protection with side shields marked to comply with ANSI Z87.1 along with hearing protection.
- Battery tools do not have to be plugged into an electrical outlet; therefore, they are always in operating condition. Be aware of possible hazards when not using your battery tool or when changing accessories. Following this rule will reduce the risk of electric shock, fire, or serious personal injury.
- Do not place battery tools or their batteries near fire or heat. This will reduce the risk of explosion and possibly injury.
- For household use only.
- If the cordless sweeper strikes a foreign object, follow these steps:
 - Turn the cordless sweeper off and wait for the brushes to come to a complete stop.
 - Remove the battery pack.
 - Thoroughly inspect the cordless sweeper for any damage.
 - Repair any damage before restarting and continuing to operate the cordless sweeper.
- Do not lift up or hold the cordless sweeper above the ground when operating, which can result in loss of control and possible serious personal injury. Only operate the cordless sweeper in accordance with the operating instructions provided in this operator's manual.
- Keep the cordless sweeper and its handle dry, clean and free from oil and grease. Always use a clean cloth when cleaning. Never use brake fluids, gasoline, petroleum-based products, or any strong solvents to clean your cordless sweeper. Following this rule will reduce the risk of loss of control and deterioration of the enclosure plastic.
- Clean rotating brushes with warm soapy water. Do not use compressed air or streams of water as this could damage the brushes.
- Store indoors.
- If tool is not working as it should, has been dropped, damaged, left outdoors, or dropped into water, return it to a service center.
- Save these instructions. Refer to them frequently and use them to instruct other users. If you loan someone this tool, loan them these instructions too.






SAVE THESE INSTRUCTIONS

SYMBOLS

The following signal words and meanings are intended to explain the levels of risk associated with this product.

SYMBOL	SIGNAL	MEANING
	DANGER:	Indicates a hazardous situation, which, if not avoided, will result in death or serious injury.
	WARNING:	Indicates a hazardous situation, which, if not avoided, could result in death or serious injury.
	CAUTION:	Indicates a hazardous situation, that, if not avoided, may result in minor or moderate injury.
	NOTICE:	(Without Safety Alert Symbol) Indicates information considered important, but not related to a potential injury (e.g. messages relating to property damage).

Some of the following symbols may be used on this product. Please study them and learn their meaning. Proper interpretation of these symbols will allow you to operate the product better and safer.

SYMBOL	NAME	DESIGNATION/EXPLANATION
	Safety Alert	Indicates a potential personal injury hazard.
	Read Operator's Manual	To reduce the risk of injury, user must read and understand operator's manual before using this product.
	Long Hair	Risk of long hair being drawn into air inlet.
	Recycle Symbol	This product uses lithium-ion (Li-ion) batteries. Local, state, or federal laws may prohibit disposal of batteries in ordinary trash. Consult your local waste authority for information regarding available recycling and/or disposal options.
	Direct Current	Type or a characteristic of current
V	Volts	Voltage
A	Amperes	Current
Hz	Hertz	Frequency (cycles per second)
W	Watt	Power
hrs	Hours	Time

FEATURES

PRODUCT SPECIFICATIONS

Canister Capacity4.5 gallons Cleaning Width 21 in.
Brush Rotation approximately 155 RPM

ASSEMBLY

UNPACKING

This product requires assembly.

- Carefully remove the tool and any accessories from the box. All items listed in the **Includes** section must be included at the time of purchase.

WARNING:

Items in this *Assembly* section are not assembled to the product by the manufacturer and require customer installation. Use of a product that may have been improperly assembled could result in serious personal injury.

- If any parts are damaged or missing, please call 1-800-525-2579 for assistance.

WARNING:

If any parts are damaged or missing do not operate this product until the parts are replaced. Use of this product with damaged or missing parts could result in serious personal injury.

WARNING:

Do not attempt to modify this product or create accessories or attachments not recommended for use with this product. Any such alteration or modification is misuse and could result in a hazardous condition leading to possible serious personal injury.

WARNING:

To prevent accidental starting that could cause serious personal injury, always remove the battery pack from the tool when assembling parts.

ASSEMBLING THE HANDLE

See Figure 1, page 11.

CAUTION:

Be careful to avoid pinching your fingers or hands when installing the handle onto the frame.

- Insert the lower handles into the holes on each side of the upper handle as shown.
- Push and hold the push-pin button on the lower handles.
- Slide the lower handles into the upper handle until the buttons snap into one of the holes.

NOTE: Shorten or lengthen the handle assembly by selecting different holes.

ATTACHING THE HANDLE ASSEMBLY

See Figures 2 - 4, page 11.

- Loosen and remove the handle lock knobs from the posts on both sides of the sweeper.
- Slide the handle assembly onto the posts.

NOTE: The smooth side of the handle assembly should face away from the post as shown in figure 4.

- Replace the adjustment knobs and tighten to secure the handle assembly in place. Do not overtighten.
- Position handle assembly in a comfortable operating position, between the front and rear detents.

NOTE: If it is difficult to move the handle assembly, loosen the handle lock knobs. If the handle assembly is too loose, tighten the adjustment knobs.

OPERATION

WARNING:

Do not allow familiarity with this product to make you careless. Remember that a careless fraction of a second is sufficient to inflict serious injury.

WARNING:

Always remove battery pack from the tool when you are assembling parts, making adjustments, cleaning, or when not in use. Removing battery pack will prevent accidental starting that could cause serious personal injury.

WARNING:

Do not use any attachments or accessories not recommended by the manufacturer of this product. The use of attachments or accessories not recommended can result in serious personal injury.

APPLICATIONS

You may use this product for the purpose listed below:

- Removing saw dust, construction debris, nails, screws and other items from hard surfaces such as workshop and garage floors.

INSTALLING/REMOVING BATTERY PACK

See Figure 5, page 12.

To install:

- Insert the battery pack.
- Make sure the latches on each side of the battery pack snap in place and that battery pack is secured in the product before beginning operation.

To remove:

- Depress the latches on each side of the battery pack.

ON/OFF BUTTON

See Figure 6, page 12.

To turn the motor ON:

- Adjust the handle assembly to a comfortable operating position and height.
- Install the battery pack.
- Stand behind the sweeper with your hands on the handle grips.

- Depress the on/off button with your foot to start the motor.

NOTE: When the motor is ON, the rotating brushes will spin continuously and the LED headlights will automatically turn on. The left and right brushes rotate in opposite directions.

To turn the motor OFF:

- Depress the on/off button with your foot to stop the motor.

NOTE: When the motor is OFF, the rotating brushes will stop spinning and the LED headlights will turn off.

ADJUSTING THE BRISTLES

See Figure 7, page 12.

The bristle deflectors, on the left and right side of the unit, allow you to raise or lower the bristles for optimal cleaning. The bristles should be raised for general cleaning and lowered to clean corners and edges. To lower the bristles, push the deflectors down. To raise the bristles, pull the deflectors up.

RAISING/LOWERING THE BRUSH HEIGHT

See Figure 8, page 12.

When shipped, the brush height is set to a low setting. Before using the sweeper for the first time, raise the brush height to the position best suited for your application. It is recommended that you lower the brush height (extend the rear caster) when picking up small debris or cleaning smooth surfaces and raise the brush height (retract the rear caster) when picking up large debris or cleaning rough surfaces.

To change the brush height:

- Turn the motor OFF and remove the battery pack.
- Rotate the height adjustment knob clockwise to raise the brush height (retract the rear caster) and counterclockwise to lower the brush height (extend the rear caster).

NOTE: The cordless sweeper should move smoothly across the cleaning surface. If the sweeper is difficult to move, raise the brush height (retract the rear caster).

LED HEADLIGHTS

LED headlights are located on the front of the unit to illuminate your path in low light conditions. The lights will operate continuously whenever the motor is running.

USING THE CORDLESS SWEEPER

See Figure 9, page 12.

WARNING:

Do not sweep over burning materials or electrical cords. Following this rule will reduce the risk of fire, electric shock and personal injury.

OPERATION

NOTICE:

Monitor the debris canister during use and empty as needed. Operating the sweeper with a full debris canister can damage the tool.

NOTICE:

Do not push the unit forward, unless the motor is ON. Pushing the unit with the motor OFF could deform the rotating brushes.

- Determine the appropriate brush height and adjust deflectors as needed.
- Adjust the handle assembly to a comfortable operating position and height.
- Install the battery pack.
- Stand behind the sweeper with your hands on the handle grips.
- Depress the on/off button with your foot to start the motor.

NOTE: When the motor is ON, the rotating brushes will spin continuously and the LED headlights will automatically turn on. The left and right brushes rotate in opposite directions.

- Push the unit over the surface to be cleaned.
NOTE: The sweeper is only designed to operate in a forward direction. Do not pull the unit backwards.
NOTE: If the sweeper becomes clogged, the motor will automatically stop and LED headlights will flash for 10 seconds. Before resuming operation, remove the battery pack and clear the obstruction.

- When sweeping is complete, bring the unit to a halt, depress the on/off button to turn the motor OFF, and wait for the brushes to stop spinning.

NOTE: When the motor is OFF, the rotating brushes will stop spinning and the LED headlights will turn off.

- Remove the battery pack.
- Remove and empty the debris canister as described later in this section.

EMPTYING THE DEBRIS CANISTER

See Figures 10 - 11, page 12.

CAUTION:

Some debris may contain sharp edges that may cause personal injury. Wear protective gloves if necessary.

- Turn the motor OFF and remove the battery pack.
- Slide the latch toward the back of the unit and, using the handle, remove the debris canister from the sweeper.
- Empty and clean the debris canister.
NOTE: Always dispose of debris properly. Check with local codes for possible special disposal instructions.
- To replace the canister, slide and hold the latch back and place the canister back in the sweeper.
- Release the latch to secure the canister in place.
- Gently pull up on the canister handle to ensure the canister is secured.

MAINTENANCE

WARNING:

Before performing any maintenance, make sure the sweeper battery is removed to avoid accidental starting and possible serious personal injury.

WARNING:

When servicing, use only authorized replacement parts. Use of any other parts can create a hazard or cause product damage.

GENERAL MAINTENANCE

Avoid using solvents when cleaning plastic parts. Most plastics are susceptible to damage from various types of commercial solvents and can be damaged by their use. Use clean cloths to remove dirt, dust, oil, grease, etc.

WARNING:

Do not at any time let brake fluids, gasoline, petroleum-based products, penetrating oils, etc., come in contact with plastic parts. Chemicals can damage, weaken or destroy plastic which could result in serious personal injury.

Remove any build-up of dirt and debris on the top, sides, and bottom of the tool housing. Wipe the sweeper clean with a dry cloth occasionally. Do not use water.

STORING THE CORDLESS SWEEPER

See Figures 12 - 14, pages 12 - 13.

- Turn the motor OFF and remove the battery pack.
- Push the bristle deflectors all the way down.
- Push and hold the push-pin button on the handle assembly.
- Retract the handle assembly until the buttons snap into the holes closest to the handle grips.
- Tilt the handle assembly completely forward until it is past the front detent and resting on the bristle deflectors.
- Place the unit in an upright position with the handle facing up.

REPLACING THE BRUSHES

See Figures 15 - 17, page 13.

Over time, the brushes can become worn and need replacement. For even cleaning, it is recommended that the left and right brushes be replaced at the same time.

To replace the brushes:

- Turn the motor OFF and remove the battery pack.
- Put the unit in the storage position.
- Remove the screws securing the bracket and remove the bracket.
- Pull the caster assembly and support away from the sweeper.
- Remove the worn brush from the shaft.
- Place a new brush and support on the shaft.
NOTE: The left and right brushes are not interchangeable. When installed, the bristles at the top of each brush should point up and away from the center of the tool as shown in figure 17.
- Replace the caster assembly.
- Replace the bracket and secure with screws.

**NOTE: ILLUSTRATIONS START ON PAGE 11
AFTER FRENCH AND SPANISH LANGUAGE SECTIONS.**

NOTES

AVERTISSEMENTS DE SÉCURITÉ GÉNÉRALES RELATIVES AUX OUTILS ÉLECTRIQUES

AVERTISSEMENT

Lire les avertissements de sécurité, les instructions et les précisions et consulter les illustrations fournis avec cet outil électrique. Le fait de ne pas se conformer à l'ensemble des consignes présentées ci-dessous risque d'entraîner des décharges électriques, un incendie et/ou des blessures graves.

Conserver les avertissements et les instructions à des fins de référence ultérieure. Le terme « outil motorisé », utilisé dans tous les avertissements ci-dessous désigne tout outil fonctionnant sur secteur (câblé) ou sur piles (sans fil).

SÉCURITÉ DU LIEU DE TRAVAIL

- **Garder le lieu de travail propre et bien éclairé.** Les endroits encombrés ou sombres sont propices aux accidents.
- **Ne pas utiliser d'outils électriques dans des atmosphères explosives, par exemple en présence de liquides, gaz ou poussières inflammables.** Les outils électriques produisent des étincelles risquant d'enflammer les poussières ou vapeurs.
- **Garder les enfants et badauds à l'écart pendant l'utilisation d'un outil électrique.** Les distractions peuvent causer une perte de contrôle.

SÉCURITÉ ÉLECTRIQUE

- **Les fiches des outils électriques doivent correspondre à la prise secteur utilisée. Ne jamais modifier la fiche, de quelque façon que ce soit. Ne jamais utiliser d'adaptateurs de fiche avec des outils mis à la terre.** Les fiches et prises non modifiées réduisent le risque de choc électrique.
- **Éviter tout contact du corps avec des surfaces mises à la terre, telles que tuyaux, radiateurs, cuisinières et réfrigérateurs.** Le risque de choc électrique est accru lorsque le corps est mis à la terre.
- **Ne pas exposer les outils électriques à l'eau ou l'humidité.** La pénétration d'eau dans ces outils accroît le risque de choc électrique.
- **Ne pas maltraiter le cordon d'alimentation. Ne jamais utiliser le cordon d'alimentation pour transporter l'outil et ne jamais débrancher ce dernier en tirant sur le cordon. Garder le cordon à l'écart de la chaleur, de l'huile, des objets tranchants et des pièces en mouvement.** Un cordon endommagé ou emmêlé accroît le risque de choc électrique.
- **Pour les travaux à l'extérieur, utiliser un cordon spécialement conçu à cet effet.** Utiliser un cordon conçu pour l'usage extérieur pour réduire les risques de choc électrique.

- **S'il est nécessaire d'utiliser l'outil électrique dans un endroit humide, employer un dispositif interrupteur de défaut à la terre (GFCI).** L'utilisation d'un GFCI réduit le risque de décharge électrique.
- **Ne recharger les piles qu'avec l'appareil indiqué.** Pour utiliser l'appareil avec des piles au lithium-ion de 18 V, consulter le supplément de raccordement pour chargeur/outils/piles/appareil n° 987000-432.
- **Lorsqu'on utilise un cordon d'alimentation, protéger ledit cordon afin qu'on ne marche pas dessus ou qu'il ne soit pas pincé, particulièrement près des fiches, des prises de courant et du point de sortie de l'appareil.**

SÉCURITÉ PERSONNELLE

- **Rester attentif, prêter attention au travail et faire preuve de bon sens lors de l'utilisation de tout outil électrique. Ne pas utiliser cet outil en état de fatigue ou sous l'influence de l'alcool, de drogues ou de médicaments.** Un moment d'inattention pendant l'utilisation d'un outil électrique peut entraîner des blessures graves.
- **Utiliser l'équipement de sécurité. Toujours porter une protection oculaire.** L'équipement de sécurité, tel qu'un masque filtrant, de chaussures de sécurité, d'un casque ou d'une protection auditive, utilisé dans des conditions appropriées réduira le risque de blessures.
- **Éviter les démarrages accidentels. S'assurer que le commutateur est en position d'arrêt avant de brancher l'outil.** Porter un outil avec le doigt sur son commutateur ou brancher un outil dont le commutateur est en position de marche peut causer un accident.
- **Retirer les clés de réglage avant de mettre l'outil en marche.** Une clé laissée sur une pièce rotative de l'outil peut causer des blessures.
- **Ne pas travailler hors de portée. Toujours se tenir bien campé et en équilibre.** Ceci permettra de mieux contrôler l'outil en cas de situation imprévue.
- **Porter une tenue appropriée. Ne porter ni vêtements amples, ni bijoux. Garder les cheveux, les vêtements et les gants à l'écart des pièces en mouvement.** Les vêtements amples, bijoux et cheveux longs peuvent se prendre dans les pièces en mouvement.
- **Si les outils sont équipés de dispositifs de dépoussiérage, s'assurer qu'ils sont connectés et correctement utilisés.** L'usage de ces dispositifs de dépoussiérage peut réduire les dangers présentés par la poussière.
- **Malgré votre expérience acquise par l'utilisation fréquente des outils, soyez toujours vigilant et respectez les principes de sécurité relatifs aux outils.** Il s'agit d'une fraction de seconde pour qu'un geste irréfléchi puisse causer de graves blessures.

AVERTISSEMENTS DE SÉCURITÉ GÉNÉRALES RELATIVES AUX OUTILS ÉLECTRIQUES

- **Ne porter ni vêtements amples, ni bijoux. Attacher ou couvrir les cheveux longs.** Les vêtements amples, bijoux et cheveux longs peuvent se prendre dans les ouïes d'aération.
- **Ne pas utiliser l'outil sur une échelle ou un support instable.** Une bonne tenue et un bon équilibre permettent de mieux contrôler l'outil en cas de situation imprévue.

UTILISATION ET ENTRETIEN DES OUTILS ÉLECTRIQUES

- **Ne pas forcer l'outil. Utiliser l'outil approprié pour l'application.** Un outil approprié exécutera le travail mieux et de façon moins dangereuse s'il est utilisé dans les limites prévues.
- **Ne pas utiliser l'outil si le commutateur ne permet pas de le mettre en marche ou de l'arrêter.** Tout outil qui ne peut pas être contrôlé par son commutateur est dangereux et doit être réparé.
- **Débrancher l'outil et/ou retirer le bloc-piles avant d'effectuer des réglages, de changer d'accessoire ou de remiser l'outil.** Ces mesures de sécurité préventives réduisent les risques de démarrage accidentel de l'outil.
- **Ranger les outils motorisés hors de la portée des enfants et ne laisser personne n'étant pas familiarisé avec l'outil ou ces instructions utiliser l'outil.** Dans les mains de personnes n'ayant pas reçu des instructions adéquates, les outils sont dangereux.
- **Entretenir les outils motorisés. Vérifier qu'aucune pièce mobile n'est mal alignée ou bloquée, qu'aucune pièce n'est brisée et s'assurer qu'aucun autre problème ne risque d'affecter le bon fonctionnement de l'outil. En cas de dommages faire réparer l'outil avant de l'utiliser de nouveau.** Beaucoup d'accidents sont causés par des outils mal entretenus.
- **Garder les outils bien affûtés et propres.** Des outils correctement entretenus et dont les tranchants sont bien affûtés risquent moins de se bloquer et sont plus faciles à contrôler.
- **Utiliser l'outil, les accessoires et embouts, etc. conformément à ces instructions pour les applications pour lesquelles ils sont conçus, en tenant compte des conditions et du type de travail à exécuter.** L'usage d'un outil motorisé pour des applications pour lesquelles il n'est pas conçu peut être dangereux.
- **Garder les poignées et les surfaces de prise sèches, propres et exemptes d'huile et de graisse.** Des poignées et des surfaces de prise glissantes empêchent la manipulation et le contrôle sécuritaires de l'outil dans des circonstances imprévues.

UTILISATION ET ENTRETIEN DE LA PILE

- **Ne recharger qu'avec l'appareil spécifié par le fabricant.** Un chargeur approprié pour un type de pile peut créer un risque d'incendie s'il est utilisé avec un autre type de pile.
- **Utiliser exclusivement le bloc-pile spécifiquement indiqué pour l'outil.** L'usage de tout autre bloc peut créer un risque de blessures et d'incendie.
- **Lorsque le bloc-piles n'est pas en usage, le garder à l'écart d'articles tels qu'attaches trombones, pièces de monnaie, clous, vis ou autres petits objets métalliques risquant d'établir le contact entre les deux bornes.** La mise en court-circuit des bornes de piles peut causer des étincelles, des brûlures ou un incendie.
- **En cas d'usage abusif, du liquide peut s'échapper des piles. Éviter tout contact avec ce liquide. En cas de contact accidentel, rincer immédiatement les parties atteintes avec de l'eau. En cas d'éclaboussure dans les yeux consulter un médecin.** Le liquide s'échappant des piles peut causer des irritations ou des brûlures.
- **Ne pas utiliser un bloc-piles ou un outil endommagé ou modifié.** Les piles endommagées ou modifiées peuvent produire un comportement imprévisible pouvant provoquer un incendie, une explosion ou des blessures.
- **Ne pas exposer le bloc-piles ou l'outil près d'un incendie ou à une température extrême.** L'exposition à un incendie ou à une température supérieure à 130 °C (265 °F) représente un risque d'explosion.
- **Suivre toutes les instructions afférentes à la recharge et ne pas recharger le bloc-piles ou l'outil hors des températures spécifiées dans les instructions.** Une recharge incorrecte ou hors des températures spécifiées peut endommager la pile et augmenter les risques de feu.

DÉPANNAGE

- **Les réparations doivent être confiées à un technicien qualifié, utilisant exclusivement des pièces identiques à celles d'origine.** Ceci assurera le maintien de la sécurité de l'outil.
- **Ne réparez jamais de blocs-piles endommagés.** Seuls le fabricant et les fournisseurs de service autorisés doivent effectuer la réparation ou l'entretien des blocs-piles.




AVERTISSEMENTS DE SÉCURITÉ RELATIFS AU BALAYEUSE SANS FIL

- Apprendre à connaître le balayeuse sans fil. Lire attentivement le manuel d'utilisation. Apprendre les applications et les limites de l'outil, ainsi que les risques spécifiques relatifs à son utilisation. Le respect de cette consigne réduira les risques d'incendie, de choc électrique et de blessures graves.
- Ne pas balayer des produits chimiques, des fertilisants ou toute autre substance toxique. Balayer ces matériaux peut les disperser dans l'air et causer des blessures graves à l'opérateur ou aux passants.
- Utiliser exclusivement les accessoires recommandés par le fabricant pour le modèle d'outil. Des accessoires appropriés pour un outil peuvent être dangereux s'ils sont utilisés avec un autre.
- Cet appareil est conçu pour les débris secs seulement. Ne pas l'utiliser pour nettoyer des liquides.
- Ne dirigez jamais l'évacuation de matériel vers des passants ou ne laissez aucune personne s'approcher de l'espace de travail. Assurez-vous de diriger l'évacuation de façon à éviter des enceintes en verre, automobiles, et tout autre objet similaire.
- Porter des chaussures ou des bottes robustes et sèches. Ne pas utiliser pieds nus.
- Toujours porter des lunettes de sécurité avec écrans latéraux. Les lunettes de vue ordinaires sont munies seulement de verres résistants aux impacts. Ce ne sont PAS des lunettes de sécurité. Le respect de cette règle réduira les risques de lésions oculaires.
- Toujours porter une protection oculaire avec écrans latéraux certifiée conforme à la norme ANSI Z87.1 ainsi qu'une protection auditive.
- Les outils fonctionnant sur piles n'ayant pas besoin d'être branchés sur une prise secteur, ils sont toujours en état de fonctionnement. Tenir compte des dangers possibles lorsque l'outil n'est pas en usage et lors du remplacement des piles. Le respect de cette consigne réduira les risques d'incendie, de choc électrique et de blessures graves.
- Ne pas placer les outils électriques sans fil ou leurs piles à proximité de flammes ou d'une source de chaleur. Ceci réduira les risques d'explosion et de blessures.
- Pour utilisation domestique seulement.
- Si la balayeuse sans fil heurte un objet étranger, suivre les étapes suivantes :
 - Éteindre la balayeuse sans fil et attendez que les brosses s'arrêtent complètement.
 - Retirer le bloc-piles.
 - Bien inspecter la balayeuse sans fil pour repérer les dommages.
 - Réparer tout dommage avant de la remettre en marche et de l'utiliser.
- Ne pas soulever ou tenir la balayeuse sans fil au-dessus du sol pendant qu'elle fonctionne pour éviter une perte de contrôle et le risque de blessures graves. Faire uniquement fonctionner la balayeuse sans fil conformément aux instructions d'utilisation dans ce manuel d'utilisation.
- S'assurer que la balayeuse sans fil et sa poignée restent sèches, propres et exemptes d'huile et de graisse. Toujours nettoyer avec un linge propre. Ne jamais utiliser de liquide de frein, d'essence, de produits à base de pétrole ni de solvants puissants pour nettoyer la balayeuse sans fil. Le respect de cette consigne réduira les risques de perte de contrôle et d'endommagement du boîtier en plastique.
- Nettoyer les brosses rotatives avec de l'eau chaude savonneuse. Ne pas utiliser d'air comprimé ou de jets d'eau pour éviter d'endommager les brosses.
- Entreposer à l'intérieur.
- Si l'outil ne fonctionne pas normalement, a été échappé, endommagé, laissé à l'extérieur ou échappé dans l'eau, retourner l'outil au centre de réparations.
- Conserver ces instructions. Les consulter fréquemment et les utiliser pour instruire d'autres utilisateurs. Si cet outil est prêté, il doit être accompagné de ces instructions.





CONSERVER CES INSTRUCTIONS

SYMBOLES

Les termes de mise en garde suivants et leur signification ont pour but d'expliquer le degré de risques associé à l'utilisation de ce produit.

SYMBOLE	SIGNAL	SIGNIFICATION
	DANGER :	Indique une situation dangereuse qui, si elle n'est pas évitée, aura pour conséquences des blessures graves ou mortelles.
	AVERTISSEMENT :	Indique une situation dangereuse qui, si elle n'est pas évitée, pourrait entraîner des blessures graves ou mortelles.
	ATTENTION :	Indique une situation dangereuse qui, si elle n'est pas évitée, pourrait entraîner des blessures légères ou de gravité modérée.
	AVIS :	(Sans symbole d'alerte de sécurité) Indique les informations jugées importantes sans toutefois représenter un risque de blessure (ex. : messages concernant les dommages matériels).

Certains des symboles ci-dessous peuvent être utilisés sur produit. Veiller à les étudier et à apprendre leur signification. Une interprétation correcte de ces symboles permettra d'utiliser produit plus efficacement et de réduire les risques.

SYMBOLE	NOM	DÉSIGNATION / EXPLICATION
	Symbole d'alerte de sécurité	Indique un risque de blessure potentiel.
	Lire manuel d'utilisation	Pour réduire les risques de blessures, l'utilisateur doit lire et veiller à bien comprendre le manuel d'utilisation avant d'utiliser ce produit.
	Cheveux longs	Risque d'aspiration des cheveux longs dans l'entrée d'air.
	Symbole de recyclage	Ce produit utilise les piles de lithium-ion (Li-ion). Les réglementations locales ou gouvernementales peuvent interdire de jeter les piles dans les ordures ménagères. Consulter les autorités locales compétentes pour les options de recyclage et/ou l'élimination.
==	Courant continu	Type ou caractéristique du courant
V	Volts	Tension
A	Ampères	Intensité
Hz	Hertz	Fréquence (cycles par seconde)
W	Watt	Alimentation
hrs	Heures	Durée

CARACTÉRISTIQUES

FICHE TECHNIQUE

Capacité du réservoir 17,03 l (4,5 gal)
Rotation de la brosse environ 155 RPM

Largeur de nettoyage 533,5 mm (21 po)

ASSEMBLAGE

DÉBALLAGE

Ce produit nécessite l'assemblage.

- Avec précaution, sortir l'outil et les accessoires de la boîte. Tous les articles énumérés sous « **Inclut** » doivent se trouver dans l'emballage au moment de l'achat.

AVERTISSEMENT :

Certaines pièces figurant dans cette section *Assemblage* n'ont pas été installées sur le produit par le fabricant et exigent une installation du client. Le fait d'utiliser un produit qui a été assemblé de façon inadéquate peut entraîner des blessures.

- Si des pièces manquent ou sont endommagées, veuillez appeler au 1-800-525-2579 pour obtenir de l'aide.

AVERTISSEMENT :

Si des pièces manquent ou sont endommagées, ne pas utiliser ce produit avant qu'elles aient été remplacées. Le fait d'utiliser ce produit même s'il contient des pièces endommagées ou s'il lui manque des pièces peut entraîner des blessures graves.

AVERTISSEMENT :

N'essayez pas de modifier cet outil ou de créer des accessoires non recommandés pour utilisation avec ce produit. Toute transformation ou modification de ce genre est un cas de mauvais usage qui peut créer des risques de blessures graves.

AVERTISSEMENT :

Pour empêcher un démarrage accidentel pouvant entraîner des blessures graves, toujours retirer le bloc de batterie de l'outil avant d'assembler des pièces.

ASSEMBLER LA POIGNÉE

Voir la figure 1, page 11.

ATTENTION :

Prendre soin de ne pas se pincer les doigts ou les mains pendant l'installation de la poignée sur le cadre.

- Insérer les poignées inférieures dans les trous de chaque côté de la poignée supérieure comme illustré.
- Appuyer sur le bouton poussoir sur les poignées inférieures et le maintenir enfoncé.
- Glisser les poignées inférieures dans la poignée supérieure jusqu'à ce que les boutons s'insèrent dans l'un des trous.

NOTE : Réduire ou allonger la poignée en sélectionnant des trous différents.

FIXATION DE L'ENSEMBLE POIGNÉE

Voir les figures 2 à 4, page 11.

- Desserrer et retirer les boutons de verrouillage de la poignée des poteaux des deux côtés de la balayeuse.
- Glisser la poignée sur les poteaux.
- **NOTE :** Le côté lisse de l'ensemble poignée doit faire face à l'écart du poteau comme illustré la figure 4.
- Replacer les boutons d'ajustement et les serrer pour fixer la poignée en place. Éviter le serrage excessif.
- Placer la poignée dans une position confortable entre les détentes avant et arrière.

NOTE : Si le déplacement de la poignée est difficile, desserrer les boutons de verrouillage de la poignée. Si la poignée est trop lâche, resserrer les boutons d'ajustement.

UTILISATION

AVERTISSEMENT :

Ne laissez pas la familiarité tirée d'une utilisation fréquente de ce type de produit atténuer votre vigilance. Souvenez-vous qu'une fraction de seconde d'inattention suffit à infliger des blessures graves.

AVERTISSEMENT :

Toujours retirer la batterie de l'outil au moment d'assembler des pièces, d'effectuer des réglages et de procéder au nettoyage, ou lorsque l'outil n'est pas utilisé. Le fait de retirer la batterie permet d'empêcher un démarrage accidentel pouvant entraîner des blessures graves.

AVERTISSEMENT :

N'utilisez aucun ajout ni accessoire non-recommandé par le fabricant de ce produit. L'utilisation des ajouts ou des accessoires non recommandés pourrait résulter en des blessures corporelles graves.

APPLICATIONS

Cet outil peut être utilisé pour les applications ci-dessous :

- Retirer les sciures, les débris de constructions, les clous, les vis et autres articles des surfaces dures telles que les planchers de l'atelier et du garage.

INSTALLATION / RETRAIT DU BLOC-PILES

Voir la figure 5, page 12.

Pour installer :

- Insérer le bloc-piles
- S'assurer que les loquets de chaque côté de bloc-piles s'enclenchent en place et que le bloc-piles est bien fixée avant d'utiliser l'outil.

Pour retirer :

- Appuyer sur les loquets de chaque côté de bloc-piles.

BOUTON MARCHE/ARRÊT

Voir la figure 6, page 12.

Pour mettre la balayeuse en marche :

- Ajuster la poignée dans une position et une hauteur confortables.
- Insérer le bloc-piles
- Se tenir derrière la balayeuse avec les mains sur les prises de la poignée.
- Appuyer sur le bouton marche/arrêt avec le pied pour mettre le moteur en marche.

NOTE : Lorsque le moteur est en marche, les brosses rotatives tourneront sans arrêt et les phares à la DEL s'allumeront automatiquement. Les brosses de gauche et de droite tournent en direction opposée.

Pour éteindre le moteur :

- Appuyer sur le bouton marche/arrêt avec le pied pour arrêter le moteur.

NOTE : Lorsque le moteur est arrêté, les brosses rotatives cesseront de tourner et les phares à la DEL s'éteindront.

RÉGLAGE DES POILS

Voir la figure 7, page 12.

Les déflecteurs de poils, qui se trouvent à gauche et à droite de l'appareil, permettent d'élever ou d'abaisser les poils pour un nettoyage optimal. Les poils devraient être élevés pour un nettoyage général et abaissés pour nettoyer les coins et les rebords. Pour abaisser les poils, appuyer sur les déflecteurs. Pour élever les poils, tirer sur les déflecteurs.

PHARES DEL

Les phares DEL sont situés à l'avant de l'appareil pour éclairer la trajectoire lorsque la luminosité est faible. Les phares s'allumeront dès la mise en marche du moteur.

ÉLEVER / ABAISSER LA HAUTEUR DE LA BROSSSE

Voir la figure 8, page 12.

À la livraison, la hauteur de la brosse est dans la position basse. Avant d'utiliser la balayeuse pour la première fois, élever la hauteur de la brosse dans la position qui convient à l'utilisation. On recommande d'abaisser la brosse (tirer la roulette arrière) pour ramasser de petits débris ou nettoyer des surfaces lisses et d'élever la brosse (pousser la roulette arrière) pour ramasser de gros débris ou nettoyer des surfaces brutes.

Pour changer la hauteur de la brosse :

- Éteindre le moteur et retirez le bloc-piles.
- Tourner le bouton d'ajustement de la hauteur dans le sens horaire pour élever la brosse (pousser la roulette arrière) et dans le sens antihoraire pour abaisser la brosse (tirer la roulette arrière).

NOTE : La balayeuse sans fil devrait avancer sans heurts sur la surface à nettoyer. S'il est difficile de déplacer la balayeuse, élever la brosse (pousser la roulette arrière).

UTILISATION DE LA BALAYEUSE SANS FIL

Voir la figure 9, page 12.

AVERTISSEMENT :

Ne pas balayer des matériaux brûlants ou des fils électriques. Suivre cette règle pour réduire le risque d'incendie, de décharge électrique et de blessure.

UTILISATION

AVIS :

Surveiller le réservoir de débris pendant l'utilisation et le vider au besoin. Utiliser la balayeuse avec un réservoir de débris plein peut endommager l'outil.

AVIS :

Ne pas pousser l'outil vers l'avant à moins que le moteur soit en marche. On peut déformer les brosses rotatives si on pousse l'outil vers l'avant alors que le moteur est éteint.

- Déterminer la bonne hauteur de brosse et ajuster les déflecteurs au besoin.
- Ajuster la poignée dans une position et une hauteur confortables.
- Insérer le bloc-piles
- Se tenir derrière la balayeuse avec les mains sur les prises de la poignée.
- Appuyer sur le bouton marche/arrêt avec le pied pour mettre le moteur en marche.

NOTE : Lorsque le moteur est en marche, les brosses rotatives tourneront sans arrêt et les phares à la DEL s'allumeront automatiquement. Les brosses de gauche et de droite tournent en direction opposée.

- Pousser l'appareil sur la surface à nettoyer.

NOTE : La balayeuse est conçue uniquement pour fonctionner vers l'avant. Ne pas tirer l'appareil vers l'arrière.

NOTE : Si la balayeuse est obstruée, le moteur s'arrêtera automatiquement et LED les phares à la DEL clignoteront pendant dix secondes. Retirer le bloc-piles et enlever l'obstruction avant de redémarrer la balayeuse.

- Lorsque le nettoyage est terminé, immobiliser l'appareil, appuyer sur le bouton marche/arrêt pour éteindre le moteur et attendre que les brosses cessent de tourner.

NOTE : Lorsque le moteur est arrêté, les brosses rotatives cesseront de tourner et les phares à la DEL s'éteindront.

- Retirer le bloc-piles.
- Retirer et vider le réservoir de débris comme décrit plus loin dans cette section.

VIDER LE RÉSERVOIR DE DÉBRIS

Voir les figures 10 et 11, page 12.

ATTENTION :

Certains débris peuvent avoir des bords coupants qui peuvent causer des blessures. Porter des gants de protection si besoin est.

- Éteindre le moteur et retirez le bloc-piles.
- Glisser la languette vers l'arrière de l'appareil et, avec la poignée, retirer le réservoir de débris de la balayeuse.
- Vider le réservoir de débris et le nettoyer.
NOTE : Toujours éliminer convenablement les débris. Consulter les règlements locaux pour connaître les dispositions spéciales de mise au rebut.
- Pour remettre le réservoir en place, glisser et retenir la languette vers l'arrière et replacer le réservoir dans la balayeuse.
- Relâcher la languette pour fixer le réservoir en place.
- Tirer délicatement sur la poignée du réservoir pour s'assurer qu'il est bien fixé.

ENTRETIEN

AVERTISSEMENT :

Lors de réparation du produit, s'assurer que la pile de la balayeuse ont été retirées afin d'éviter un démarrage accidentel et des blessures graves.

AVERTISSEMENT :

Utiliser exclusivement des pièces d'origine pour les réparations. L'usage de toute autre pièce pourrait créer une situation dangereuse ou endommager l'outil.

ENTRETIEN GÉNÉRAL

Évitez d'utiliser des solvants quand vous nettoyez des pièces en plastique. La plupart des plastiques résistent mal aux plusieurs types de solvants de commerce et peuvent être endommagés par leur utilisation. Utilisez des chiffons secs pour enlever la saleté, la poussière, l'huile, la graisse, etc.

AVERTISSEMENT :

Ne permettez jamais à ce que les liquides pour freins, la gazoline, les produits à base de pétrole, les huiles dégriffantes, etc entrent en contact avec les pièces en plastique. Les produits chimiques peuvent endommager, affaiblir ou détruire le plastique ce qui peut résulter en des blessures graves.

Enlevez toute accumulation d'herbe ou des feuilles sur ou autour du couvercle du moteur. Essuyez la tondeuse avec un chiffon sec à l'occasion. N'utilisez pas de l'eau.

ENTREPOSAGE DE LA BALAYEUSE SANS FIL

Voir les figures 12 à 14, pages 12 et 13.

- Éteindre le moteur et retirez le bloc-piles.
- Enfoncer complètement les déflecteurs des poils.
- Appuyer sur le bouton poussoir sur le ensemble de poignée et le maintenir enfoncé.
- Abaisser le ensemble de poignée jusqu'à ce que les boutons s'enclenchent dans les trous les plus proches de les prises de la poignée.
- Incliner le ensemble de poignée vers l'avant jusqu'à ce qu'il soit au-delà de le cran d'arrêt avant et repose sur les déflecteurs des poils.
- Placer l'unité en la position relevée avec la poignée orientée vers le haut.

REMPLACEMENT DES BALAIS

Voir les figures 15 à 17, page 13.

Avec le temps, les balais peuvent être usées et doivent être remplacées. Pour un nettoyage régulier, il est recommandé de remplacer les balais gauche et droite en même temps.

Remplacement des balais :

- Éteindre le moteur et retirez le bloc-piles.
 - Placer l'unité en la position de rangement.
 - Retirer les vis de fixation du support et retirer le support.
 - Tirer le ensemble de roulettes et support de la balayeuse.
 - Retirer le balais usées du arbre.
 - Placer une nouvelle balai et support sur l'arbre.
- NOTE :** Les balais gauche et droite ne sont pas interchangeables. Une fois installés, les soies au dessus chaque balai doivent pointer vers le haut et s'éloigner du centre de l'outil, comme illustré à la figure 17.
- Remplacer le ensemble de roulettes.
 - Remplacer le support et fixer avec les vis.

**NOTE : ILLUSTRATIONS COMMENCE À LA PAGE 11
APRÈS LES SECTION EN ESPAGNOL.**

ADVERTENCIAS DE SEGURIDAD PARA HERRAMIENTAS ELÉCTRICAS



ADVERTENCIA

Lea todas las advertencias, instrucciones, ilustraciones y especificaciones proporcionadas con esta herramienta eléctrica. Failure to follow all instructions listed below may result in electric shock, fire and/or serious injury.

Guarde todas las advertencias e instrucciones para consultarlas en el futuro. El término “herramienta eléctrica” en las advertencias se refiere a las herramientas eléctricas que funcionan con corriente (con cordón) o las que funcionan con batería (inalámbricas).

ÁREA DE TRABAJO

- **Mantenga limpia y bien iluminada el área de trabajo.** Un área de trabajo mal despejada o mal iluminada propicia accidentes.
- **No utilice herramientas motorizadas en atmósferas explosivas, como las existentes alrededor de líquidos, gases y polvos inflamables.** Las herramientas eléctricas generan chispas que pueden encender el polvo y los vapores inflamables.
- **Mantenga alejados a los niños y circunstantes al maniobrar una herramienta eléctrica.** Toda distracción puede causar la pérdida del control de la herramienta.

SEGURIDAD ELÉCTRICA

- **Las clavijas de las herramientas eléctricas deben corresponder a las tomas de corriente donde se conectan. Nunca modifique la clavija de ninguna forma. No utilice ninguna clavija adaptadora con herramientas eléctricas dotadas de contacto a tierra.** Conectando las clavijas originales en las tomas de corriente donde corresponden se disminuye el riesgo de una descarga eléctrica.
- **Evite el contacto del cuerpo con las superficies de objetos conectados a tierra, como las tuberías, radiadores, estufas y refrigeradores.** Existe un mayor riesgo de descargas eléctricas si el cuerpo está haciendo tierra.
- **No exponga las herramientas eléctricas a la lluvia ni a condiciones de humedad.** La introducción de agua en una herramienta eléctrica aumenta el riesgo de descargas eléctricas.
- **No maltrate el cordón eléctrico. Nunca utilice el cordón para trasladar, desconectar o tirar de la herramienta eléctrica. Mantenga el cordón lejos del calor, aceite, bordes afilados y piezas móviles.** Los cordones eléctricos dañados o enredados aumentan el riesgo de descargas eléctricas.
- **Al utilizar una herramienta eléctrica a la intemperie, use un cordón de extensión apropiado para el exterior.** Usando un cordón adecuado para el exterior se disminuye el riesgo de descargas eléctricas.
- **Si debe operar una herramienta en lugares húmedos, use un suministro protegido por un interruptor de circuito**

con pérdida a tierra (GFCI). El uso de un GFCI reduce el riesgo de descargas eléctricas.

- **Cargue las baterías solamente con el cargador indicado.** Para utilizar con paquetes de baterías de iones de litio de 18 V, consulte el folleto de la herramienta/aparato/paquete de baterías/cargador complementario 987000-432.
- **Al usar un cable de alimentación, evite pisarlo o apretarlo, particularmente en los enchufes, los receptáculos de conveniencia y el punto de salida del producto.**

SEGURIDAD PERSONAL

- **Permanezca alerta, preste atención a lo que esté haciendo y aplique el sentido común al utilizar herramientas eléctricas. No utilice la herramienta eléctrica si está cansado o se encuentra bajo los efectos de alguna droga, alcohol o medicamento.** Un momento de inatención al utilizar una herramienta eléctrica puede causar lesiones corporales serias.
- **Utilice protección el equipo otros. Siempre póngase protección ocular.** El uso de equipo protector como mascarilla para el polvo, calzado de seguridad, casco y protección para los oídos en las circunstancias donde corresponda disminuye el riesgo de lesiones.
- **Evite que la herramienta se active accidentalmente. Asegúrese de que el interruptor esté en la posición de apagado antes de conectar la herramienta a un suministro de corriente o de colocar un paquete de baterías.** Transportar herramientas eléctricas con el dedo en el interruptor o enchufar herramientas eléctricas que tienen el interruptor encendido puede ocasionar accidentes.
- **Retire toda llave o herramienta de ajuste antes de encender la herramienta eléctrica.** Toda llave o herramienta de ajuste dejada en una pieza giratoria de la herramienta eléctrica puede causar lesiones.
- **No estire el cuerpo para alcanzar mayor distancia. Mantenga una postura firme y buen equilibrio en todo momento.** De esta manera se logra un mejor control de la herramienta eléctrica en situaciones inesperadas.
- **Vístase adecuadamente. No vista ropas holgadas ni joyas. Mantenga el cabello, la ropa y los guantes alejados de las piezas móviles.** Las ropas holgadas y las joyas, así como el cabello largo, pueden engancharse en las piezas móviles.
- **Si se suministran dispositivos para conectar mangueras de extracción y captación de polvo, asegúrese de que éstas estén bien conectadas y se usen correctamente.** El uso de la captación de polvo puede reducir los peligros relacionados con éste.
- **No permita que la familiaridad obtenida por el uso frecuente de las herramientas lo vuelva complaciente e ignore los principios de seguridad de las herramientas.** Una acción descuidada puede causar lesiones graves en una fracción de segundo.

ADVERTENCIAS DE SEGURIDAD PARA HERRAMIENTAS ELÉCTRICAS

- **No vista ropas holgadas ni joyas. Recójase el cabello si está largo.** Las ropas holgadas y las joyas, así como el cabello largo, pueden resultar atraídas hacia el interior de las aberturas de ventilación.
- **No utilice la unidad al estar en una escalera o en un soporte inestable.** Una postura estable sobre una superficie sólida permite un mejor control de la herramienta eléctrica en situaciones inesperadas.

EMPLEO Y CUIDADO DE LA HERRAMIENTA ELÉCTRICA

- **No fuerce la herramienta eléctrica. Utilice la herramienta eléctrica adecuada para cada trabajo.** La herramienta eléctrica adecuada efectúa mejor y de manera más segura el trabajo, si además se maneja a la velocidad para la que está diseñada.
- **No utilice la herramienta si el interruptor no enciende o no apaga.** Cualquier herramienta eléctrica que no pueda controlarse con el interruptor es peligrosa y debe repararse.
- **Desconecte el enchufe de la fuente de alimentación o retire el paquete de baterías, si es desmontable, de la herramienta eléctrica antes de realizar ajustes, cambiar accesorios o almacenar herramientas eléctricas.** Tales medidas preventivas de seguridad reducen el riesgo de poner en marcha accidentalmente la herramienta.
- **Guarde las herramientas eléctricas desocupadas fuera del alcance de los niños y no permita que las utilicen personas no familiarizadas con las mismas o con estas instrucciones.** Las herramientas eléctricas son peligrosas en manos de personas no capacitadas en el uso de las mismas.
- **Mantenimiento de las herramientas eléctricas y accesorios. Revise para ver si hay desalineación o atoramiento de piezas móviles, ruptura de piezas o toda otra condición que pueda afectar el funcionamiento de la herramienta eléctrica. Si está dañada la herramienta eléctrica, permita que la reparen antes de usarla.** Numerosos accidentes son causados por herramientas eléctricas mal cuidadas.
- **Mantenga las herramientas de corte afiladas y limpias.** Las herramientas de corte bien cuidadas y con bordes bien afilados, tienen menos probabilidad de atascarse en la pieza de trabajo y son más fáciles de controlar.
- **Use la herramienta eléctrica, los accesorios, las brocas, etc. según estas instrucciones, teniendo en cuenta las condiciones de trabajo y la tarea que se va a realizar.** Si se utiliza la herramienta eléctrica para operaciones diferentes de las indicadas podría originar una situación peligrosa.
- **Mantenga los mangos y superficies de agarre limpias y libres de aceite y grasa.** Los mangos y superficies de agarre resbalosas no permiten la manipulación y control seguro de la herramienta en situaciones inesperadas.

EMPLEO Y CUIDADO DE LA HERRAMIENTA DE BATERÍAS

- **Sólo cargue el paquete de baterías con el cargador especificado por el fabricante.** Un cargador adecuado para un tipo paquete de baterías puede significar un riesgo de incendio si se emplea con un paquete de baterías diferente.
- **Utilice las herramientas eléctricas sólo con los paquetes de baterías específicamente indicados.** El empleo de paquetes de baterías diferentes puede presentar un riesgo de incendio.
- **Cuando no esté utilizándose el paquete de baterías, manténgalo lejos de otros objetos metálicos, como clips, monedas, llaves, clavos, tornillos o otros objetos metálicos, pequeños que puedan establecer conexión entre ambas terminales.** Establecer una conexión directa entre las dos terminales de las baterías puede causar quemaduras o incendios.
- **Si se maltratan las baterías, puede derramarse líquido de las mismas; evite todo contacto con éste. En caso de contacto, lávese con agua. Si el líquido llega a tocar los ojos, además busque atención médica.** El líquido de las baterías puede causar irritación y quemaduras.
- **No utilice un paquete de baterías o una herramienta que esté dañado o modificado.** Las baterías dañadas o modificadas pueden tener un funcionamiento impredecible que provoque incendios, explosiones o riesgo de lesiones.
- **No exponga el paquete de baterías o una herramienta al fuego o a temperaturas excesivas.** La exposición al fuego o a temperatura sobre los 130 °C (265 °F) puede provocar explosiones.
- **Siga todas las instrucciones de carga y no cargue el paquete de baterías ni la herramienta fuera del rango de temperaturas especificado en las instrucciones.** Si realiza la carga en forma incorrecta o fuera de las temperaturas del rango especificado puede dañar la batería y aumentar el riesgo de incendios.

SERVICIO

- **Permita que un técnico de reparación calificado preste servicio a la herramienta eléctrica, y sólo con piezas de repuesto idénticas.** De esta manera se mantiene la seguridad de la herramienta eléctrica.
- **Nunca repare paquetes de baterías dañados.** La reparación de paquetes de baterías solo puede ser realizada por el fabricante o proveedores de servicio autorizados.




ADVERTENCIAS DE SEGURIDAD PARA BARREDOR INALÁMBRICO

- Familiarícese con el barredor inalámbrico. Lea cuidadosamente el manual del operador. Aprenda sus usos y limitaciones, así como los posibles peligros específicos de esta herramienta. Con el cumplimiento de esta regla se reduce el riesgo de una descarga eléctrica, incendio o lesión seria.
- No barra químicos, fertilizantes ni otras sustancias tóxicas. Si barre estos materiales, podrían transportarse en el aire y causar lesiones graves al operador o a las personas que se encuentren alrededor.
- Sólo utilice accesorios recomendados por el fabricante para cada modelo en particular. Accesorios que pueden ser adecuados para una herramienta pueden significar un riesgo de lesiones si se emplean con otra herramienta.
- Esta unidad solo sirve para barrer en seco. No la utilice para limpiar líquidos.
- Nunca dirija la descarga de material hacia los circunstantes ni permita que haya personas cerca del área de operación. Tenga cuidado al dirigir la descarga para evitar cerramientos de vidrio, automóviles y otras estructuras similares.
- Use botas o zapatos robustos y secos. No utilice la unidad estando descalzo.
- Siempre use gafas de seguridad con protección lateral. Los anteojos comunes sólo tienen lentes resistentes a los impactos. NO son anteojos de seguridad. Con el cumplimiento de esta regla se reduce el riesgo de posibles lesiones oculares.
- Siempre póngase protección ocular con protección lateral con la marca de cumplimiento de la norma ANSI Z87.1 junto con protección auditiva.
- Las herramientas de batería no se necesitan conectar a una toma de corriente; por lo tanto, siempre están en condiciones de funcionamiento. Esté consciente de los posibles peligros cuando no esté usando la herramienta de baterías o cuando esté cambiando los accesorios de la misma. Con el cumplimiento de esta regla se reduce el riesgo de una descarga eléctrica, incendio o lesión corporal seria.
- No coloque herramientas de baterías ni las baterías mismas cerca del fuego o del calor. De esta manera se reduce el riesgo de explosiones y de lesiones.
- Para uso doméstico únicamente.
- Si el barredor inalámbrico choca con un objeto extraño, siga estos pasos:
 - Apague el barredor inalámbrico y espere a que los cepillos se detengan por completo.
 - Retire el paquete de baterías.
 - Inspeccione el barredor inalámbrico cuidadosamente para ver si se dañó.
 - Repare los daños antes de reiniciar y continuar utilizando el barredor inalámbrico.
- No levante ni sostenga el barredor inalámbrico sobre el suelo al utilizarlo, ya que esto puede provocar la pérdida del control y posibles lesiones personales graves. Use el barredor inalámbrico únicamente de acuerdo con las instrucciones de uso que se proporcionan en el manual del operador.
- Mantenga el barredor inalámbrico y el mango secos, limpios y libres de aceite y grasa. Siempre utilice un trapo limpio para limpiar la unidad. Nunca utilice líquidos para frenos, gasolina, productos a base de petróleo ni solventes potentes para limpiar el barredor inalámbrico. Con el cumplimiento de esta regla se reduce el riesgo de una pérdida de control y el deterioro del alojamiento de plástico de la unidad.
- Limpie los cepillos giratorios con agua tibia y jabón. No use aire comprimido ni flujos de agua, ya que esto podría dañar los cepillos.
- Almacene en el interior.
- Si la herramienta no funciona como debería, se ha caído, dañado, dejado en exteriores o arrojado al agua, devuélvalo a un centro de servicio.
- Guarde estas instrucciones. Consúltelas frecuentemente y utilícelas para instruir a otros usuarios. Si presta a alguien esta herramienta, facilítele también las instrucciones.





GUARDE ESTAS INSTRUCCIONES

SÍMBOLOS

Las siguientes palabras de señalización y sus significados tienen el objeto de explicar los niveles de riesgo relacionados con este producto.

SÍMBOLO	SEÑAL	SIGNIFICADO
	PELIGRO:	Indica una situación peligrosa, la cual, si no se evita, causará la muerte o lesiones serias.
	ADVERTENCIA:	Indica una situación peligrosa, la cual, si no se evita, podría causar la muerte o lesiones serias.
	PRECAUCIÓN:	Indica una situación peligrosa, la cual, si no se evita, podría causar lesiones menores o leves.
	AVISO:	(Sin el símbolo de alerta de seguridad) Indica la información que se considera importante, pero no relacionada con lesiones potenciales (por ej. en relación a daños a la propiedad).

Es posible que se empleen en este producto algunos de los siguientes símbolos. Le suplicamos estudiarlos y aprender su significado. Una correcta interpretación de estos símbolos le permitirá utilizar mejor y de manera más segura el producto.

SÍMBOLO	NOMBRE	DENOMINACIÓN/EXPLICACIÓN
	Alerta de seguridad	Indica un peligro posible de lesiones personales.
	Lea el manual del operador	Para reducir el riesgo de lesiones, el usuario debe leer y comprender el manual del operador antes de usar este producto.
	Cabello largo	Riesgo de succión del cabello largo en la entrada de aire.
	Símbolo de reciclado	Este producto utiliza baterías de iones de litio (Li-ion). Es posible que algunas leyes municipales, estatales o federales prohíban desechar las baterías en la basura normal. Consulte a las autoridades reguladoras de desechos para obtener información en relación con las alternativas de reciclado y desecho disponibles.
==	Corriente continua	Tipo o característica de corriente
V	Voltios	Voltaje
A	Amperios	Corriente
Hz	Hertz	Frecuencia (ciclos por segundo)
W	Watt	Potencia
hrs	Horas	Tiempo

CARACTERÍSTICAS

ESPECIFICACIONES DEL PRODUCTO

Capacidad del contenedor.....17,03 l (4,5 gal)
Rotación de los cepillos aproximada 155 RPM

Ancho de limpieza..... 533,5 mm (21 pulg.)

ARMADO

DESEMPAQUETADO

Este producto requiere armarse.

- Extraiga cuidadosamente de la caja la herramienta y los accesorios. Todos los elementos enumerados en la sección **Incluye** se deben incluir al momento de la compra.

ADVERTENCIA:

Las piezas incluidas en esta sección de *Armado* no vienen ensambladas en el producto de fábrica y requieren la instalación por parte del cliente. El uso de un producto que pueda haber sido armado de manera incorrecta podría provocar lesiones personales graves.

- Si hay piezas dañadas o faltantes, le suplicamos llamar al 1-800-525-2579, donde le brindaremos asistencia. En México, llame al 01-800-843-1111.

ADVERTENCIA:

Si hay piezas dañadas o faltantes, no utilice este producto sin haber reemplazado todas las piezas. Usar este producto con partes dañadas o faltantes puede causar lesiones serias al operador.

ADVERTENCIA:

No intente modificar este producto ni hacer accesorios no recomendados para el mismo. Cualquier alteración o modificación constituye maltrato y puede causar una condición peligrosa, y como consecuencia posibles lesiones serias.

ADVERTENCIA:

Para evitar un arranque accidental que podría causar lesiones corporales serias, siempre desmonte de la herramienta el paquete de pilas al montarle piezas a aquélla.

ARMADO EL MANGO

Vea la figura 1, página 11.

PRECAUCIÓN:

Sea precavido cuando instale el mango en el bastidor: evite pellizcarse los dedos o las manos.

- Inserte los mangos inferiores en los orificios de ambos lados del mango superior como se muestra en la imagen.
- Mantenga presionado el botón de chinche de los mangos inferiores.
- Deslice los mangos inferiores en el mango superior hasta que los botones encajen en uno de los orificios.

NOTA: Acorte o alargue el conjunto del mango seleccionando diferentes orificios.

MONTAJE DEL CONJUNTO DEL MANGO

Vea las figuras 2 a 4, página 11.

- Afloje y retire las perillas de bloqueo del mango de los postes de ambos lados del barredor.
- Deslice el conjunto del mango en los postes.
NOTA: El lado liso del conjunto del mango debe estar alejado del poste como se muestra la figura 4.
- Vuelva a colocar las perillas de ajuste y gírelas para asegurar el conjunto del mango en su lugar. No lo haga de manera excesiva.
- Coloque el conjunto del mango en una posición de uso cómoda entre los trinquetes delantero y trasero.

NOTA: Si resulta difícil mover el conjunto del mango, afloje las perillas de bloqueo. Si el conjunto del mango está demasiado flojo, gire las perillas de ajuste hasta que quede más firme.

FUNCIONAMIENTO

ADVERTENCIA:

No permita que su familiarización con este tipo de producto lo vuelva descuidado. Tenga presente que un descuido de un instante es suficiente para causar una lesión grave.

ADVERTENCIA:

Siempre retire de la herramienta el paquete de baterías al montarle piezas, hacerle ajustes, montarle o desmontarle hojas, limpiarla o tenerla desocupada. Retirando el paquete de baterías se evita arrancar accidentalmente la unidad, lo cual puede causar lesiones serias.

ADVERTENCIA:

No utilice ningún aditamento o accesorio no recomendado por el fabricante de esta producto. El empleo de aditamentos o accesorios no recomendados podría causar lesiones serias.

APLICACIONES

Esta producto puede emplearse para el fin señalado abajo:

- Quitar aserrín, suciedad de construcción, uñas, tornillos y otros elementos de superficies duras, como pisos de talleres y garajes.

INSTALACIÓN/QUITAR DEL PAQUETE DE BATERÍAS

Vea la figura 5, página 12.

Para instalar:

- Coloque el paquete de baterías.
- Asegúrese de que los pestillos situados a ambos lados del paquete de baterías entren a presión en su lugar y de que el paquete se coloque correctamente en el producto antes de empezar a utilizarlo.

Para quitar:

- Oprima los pestillos de cada lado del paquete de baterías.

BOTÓN DE ENCENDIDO/APAGADO

Vea la figura 6, página 12.

Para encender el motor, haga lo siguiente:

- Ajuste el conjunto del mango en una posición y altura de uso cómodas.
- Coloque el paquete de baterías.
- Párese detrás del barredor con las manos en las empuñaduras del mango.

- Presione el botón de encendido/apagado con el pie para iniciar el motor.

NOTA: Cuando el motor esté encendido, los cepillos girarán de manera continua y las luces LED se activarán de forma automática. Los cepillos izquierdo y derecho giran en dirección opuesta.

Para apagar el motor, haga lo siguiente:

- Presione el botón de encendido/apagado con el pie para detener el motor.

NOTA: Cuando el motor esté apagado, los cepillos dejarán de girar y las luces LED se desactivarán.

AJUSTE DE LAS CERDAS

Vea la figura 7, página 12.

Los deflectores de las cerdas, ubicados a la izquierda y a la derecha de la unidad, le permiten subir o bajar las cerdas para limpiar de manera óptima. Suba las cerdas para limpieza general y bájelas para limpiar esquinas y bordes. Para bajar las cerdas, empuje los deflectores hacia abajo. Para subir las cerdas, levante los deflectores.

SUBIR/BAJAR LA ALTURA DE LOS CEPILLOS

Vea la figura 8, página 12.

La altura de los cepillos viene de fábrica con una configuración baja. Antes de usar el barredor por primera vez, suba la altura de los cepillos a la posición que mejor se adapte a su aplicación. Se recomienda bajar la altura de los cepillos (extender la rueda trasera) al limpiar desechos de tamaño pequeño o superficies suaves, y levantarla (retraer la rueda trasera) al limpiar desechos de tamaño grande o superficies duras.

Para cambiar la altura de los cepillos, haga lo siguiente:

- Apague el motor y retire el paquete de baterías.
- Gire la perilla de ajuste de altura en sentido horario para subir la altura de los cepillos (retraer la rueda trasera) y en sentido antihorario para bajarla (extender la rueda trasera).

NOTA: El barredor inalámbrico debe moverse con facilidad en la superficie de limpieza. Si resulta difícil moverlo, suba la altura de los cepillos (retraer la rueda trasera).

LUCES DELANTERAS LED

Las luces delanteras LED están ubicadas en el frente de la unidad para iluminar el camino en condiciones de poca iluminación. Las luces funcionarán siempre que el motor se encuentre en funcionamiento.

FUNCIONAMIENTO

USO DEL BARREDOR INALÁMBRICO

Vea la figura 9, página 12.

ADVERTENCIA:

No barra sobre materiales en combustión ni cables eléctricos. Si sigue esta regla, reducirá el riesgo de incendio, descarga eléctrica y lesiones personales.

AVISO:

Supervise el contenedor de desechos durante el uso y vacíelo según sea necesario. Si usa el barredor con el contenedor lleno, podría dañar la herramienta.

AVISO:

No empuje la unidad hacia delante, a menos que el motor esté encendido. Si empuja la unidad con el motor apagado, los cepillos giratorios podrían deformarse.

- Determine la altura apropiada de los cepillos y ajuste los deflectores según sea necesario.
- Ajuste el conjunto del mango en una posición y altura de uso cómodas.
- Coloque el paquete de baterías.
- Párese detrás del barredor con las manos en las empuñaduras del mango.
- Presione el botón de encendido/apagado con el pie para iniciar el motor.

NOTA: Cuando el motor esté encendido, los cepillos girarán de manera continua y las luces LED se activarán de forma automática. Los cepillos izquierdo y derecho giran en dirección opuesta.

- Empuje la unidad sobre la superficie que desea limpiar.

NOTA: El barredor se diseñó para funcionar solo en dirección hacia delante. No empuje la unidad hacia atrás.

NOTA: Si el barredor este obstruido, el motor se apagará automáticamente y las luces LED se iluminarán por diez segundos. Retire el paquete de baterías y quite la obstrucción antes de reiniciar.

- Cuando haya terminado de barrer, detenga la unidad, presione el botón de encendido/apagado para apagar el motor y espere a que los cepillos dejen de girar.

NOTA: Cuando el motor esté apagado, los cepillos dejarán de girar y las luces LED se desactivarán.

- Retire el paquete de baterías.
- Retire y vacíe el contenedor de desechos según se describe más adelante en esta sección.

VACIAR EL CONTENEDOR DE DESECHOS

Vea las figuras 10 y 11, página 12.

PRECAUCIÓN:

Algunos desechos podrían tener bordes filosos y causar lesiones personales. Si es necesario, use guantes protectores.

- Apague el motor y retire el paquete de baterías.
- Deslice el pestillo hacia la parte trasera de la unidad y, por medio del mango, quite el contenedor de desechos del barredor.
- Vacíe y limpie el contenedor de desechos.

NOTA: Deseche los residuos de manera apropiada siempre. Verifique los códigos locales para consultar posibles instrucciones especiales para desecharlos.

- Para volver a colocar el contenedor, deslice el pestillo hacia atrás sosteniéndolo y vuelva a insertar el contenedor en el barredor.
- Suelte el pestillo para asegurar el contenedor en su lugar.
- Empuje el mango del contenedor hacia arriba levemente para asegurarse de que el contenedor quede firme.

MANTENIMIENTO

ADVERTENCIA:

Al dar servicio a la unidad, asegúrese de que la batería se hayan retirado para evitar el arranque accidental y posibles lesiones graves.

ADVERTENCIA:

Al dar servicio a la unidad, sólo utilice piezas de repuesto autorizadas. El empleo de piezas diferentes puede causar un peligro o dañar el producto.

MANTENIMIENTO GENERAL

Evite el empleo de solventes al limpiar piezas de plástico. La mayoría de los plásticos son susceptibles a diferentes tipos de solventes comerciales y pueden resultar dañados. Utilice paños limpios para eliminar la suciedad, el polvo, el aceite, la grasa, etc.

ADVERTENCIA:

No permita en ningún momento que fluidos para frenos, gasolina, productos a base de petróleo, aceites penetrantes, etc., lleguen a tocar las piezas de plástico. Las sustancias químicas pueden dañar, debilitar o destruir el plástico, lo cual a su vez puede producir lesiones corporales serias.

Elimine la hierba y las hojas acumuladas sobre la cubierta del motor o a su alrededor. Limpie ocasionalmente la podadora con un paño seco. No utilice agua.

GUARDADO DEL BARREDOR INALÁMBRICO

Vea las figuras 12 a 14, páginas 12 y 13.

- Apague el motor y retire el paquete de baterías.
- Baje el deflector de cerdas completamente.
- Mantenga presionado el botón de chinche de conjunto de mango.
- Baje el conjunto de mango hasta que los botones encajen en los orificios más cercanos al empuñadura.
- Incline el conjunto de mango hacia delante completamente hasta que haya pasado el trinquete delantero y descansando sobre los deflectores de cerdas.
- Coloque la unidad en la posición vertical con el mango quede mirando hacia arriba.

REEMPLAZO DE LAS ESCOBILLAS

Vea las figuras 15 a 17, página 13.

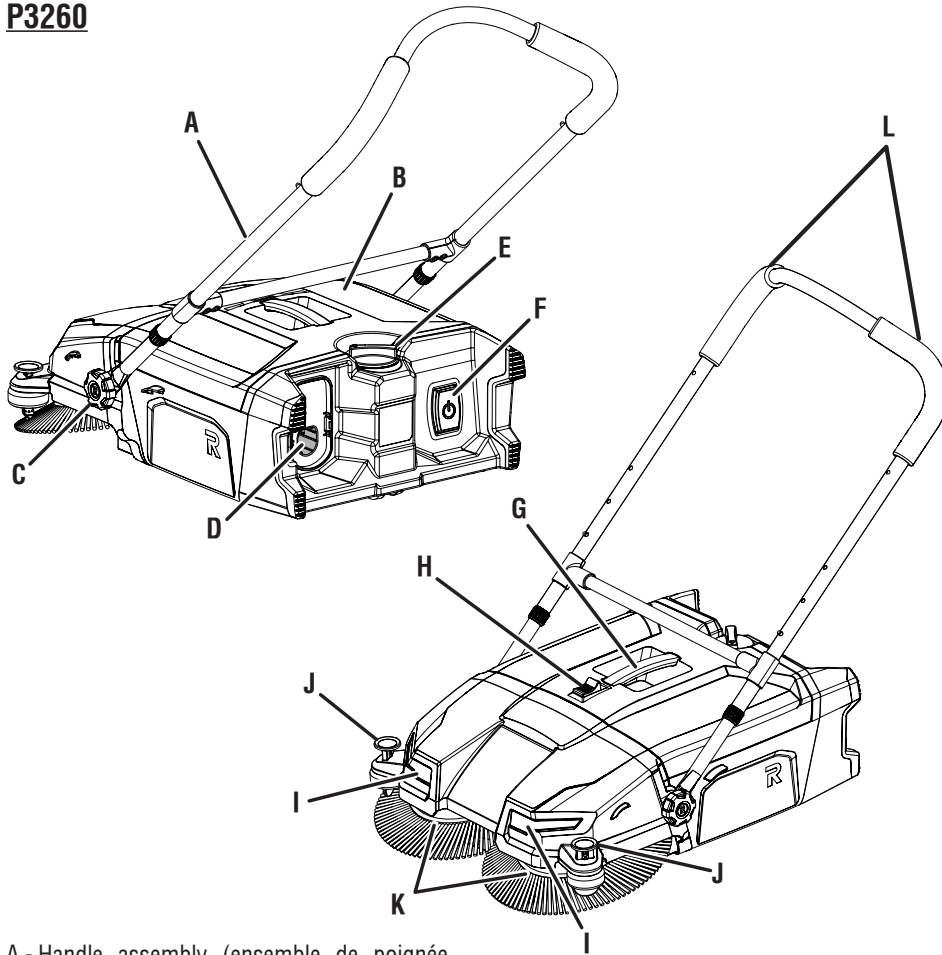
Con el tiempo, las escobillas que se gastan y necesitan ser reemplazados. Para una limpieza uniforme, se recomienda reemplazar las escobillas izquierdo y derecho al mismo tiempo.

Para reemplazar las escobillas:

- Apague el motor y retire el paquete de baterías.
- Coloque la unidad en la posición de almacenamiento.
- Retire los tornillos que asegura el soporte y retire el soporte.
- Tire del conjunto de las ruedas y soporte del barredor inalámbrico.
- Retire las escobillas usados del eje.
- Coloque un nueva escobilla y soporte sobre el eje.

NOTA: Las escobillas izquierdo y derecho no son intercambiables. Una vez instalado, las cerdas en la parte superior de cada escobilla deben apuntar hacia arriba y lejos del centro de la herramienta, como se muestra en la figura 17.

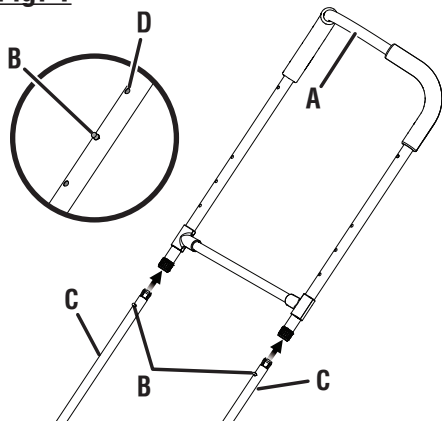
- Reemplace el conjunto de las ruedas.
- Reemplace el soporte y asegúrelos con los tornillos.



- A - Handle assembly (ensemble de poignée, conjunto de mango)
- B - Debris canister (réservoir de débris, contenedor de desechos)
- C - Handle lock knob (bouton de verrouillage de la poignée, perilla de bloqueo del mango)
- D - Battery port (logement de piles, compartiment de la batería)
- E - Height adjustment knob (bouton de réglage de hauteur, perilla de ajuste de altura)
- F - On/off button (interrupteur marche/arrêt, interruptor de encendido/apagado)

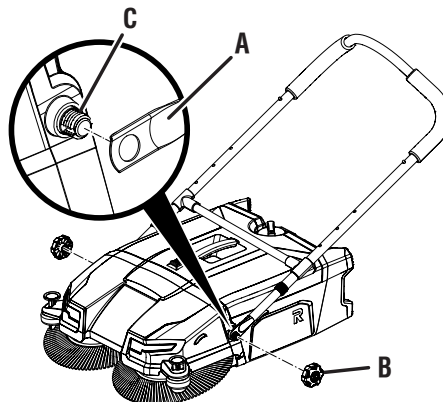
- G - Canister handle (poignée du réservoir, mango del contenedor)
- H - Latch (languette, pestillo)
- I - LED headlights (phares DEL, luces delanteras LED)
- J - Bristle deflector (déflecteur des poils, deflector de cerdas)
- K - Brushes (balais, escobillas)
- L - Handle grips (prises de la poignée, mangos con empuñadura)

Fig. 1



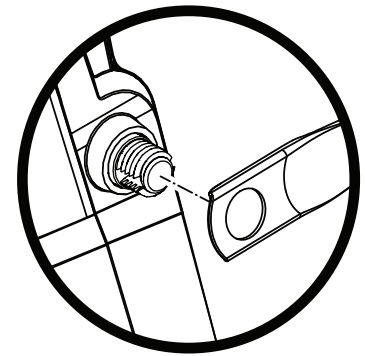
- A - Upper handle (poignée supérieure, mango superior)
- B - Buttons (boutons, botóns)
- C - Lower handles (poignées inférieure, mangos inferior)
- D - Hole (trou, agujero)

Fig. 2

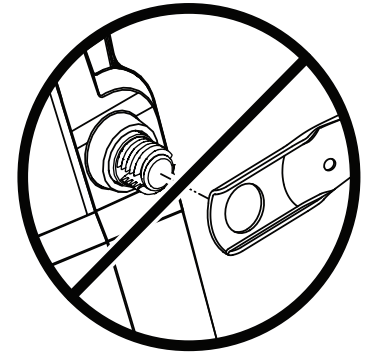


- A - Handle assembly (ensemble de poignée, conjunto de mango)
- B - Handle lock knob (bouton de verrouillage de la poignée, perilla de bloqueo del mango)
- C - Post (tige, poste)

Fig. 3

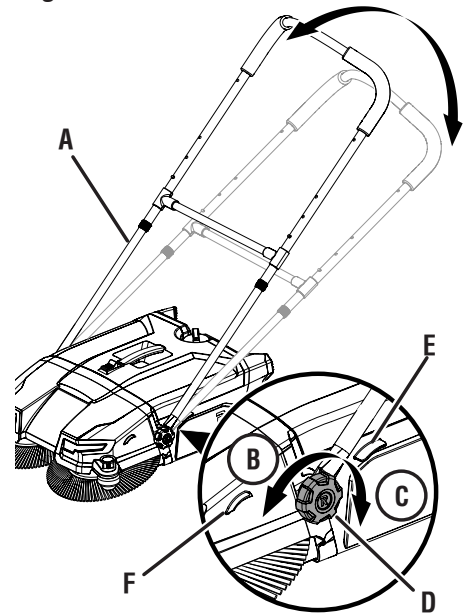


RIGHT / CORRECT / FORMA CORRECTA



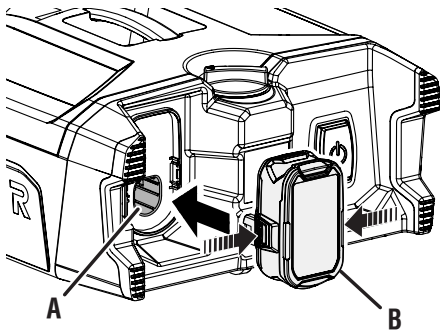
WRONG / INCORRECT / FORMA INCORRECTA

Fig. 4



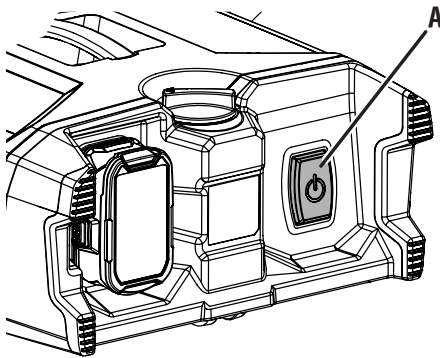
- A - Handle assembly (ensemble de poignée, conjunto de mango)
- B - To loosen (pour desserrer, para aflojar)
- C - To tighten (pour serrer, para apretar)
- D - Handle lock knob (bouton de verrouillage de la poignée, perilla de bloqueo del mango)
- E - Rear detent (cran d'arrêt arrière, trinquete trasero)
- F - Front detent (cran d'arrêt avant, trinquete delantero)

Fig. 5



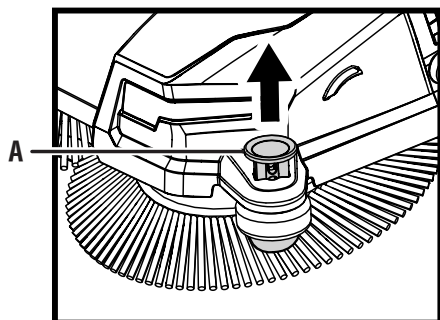
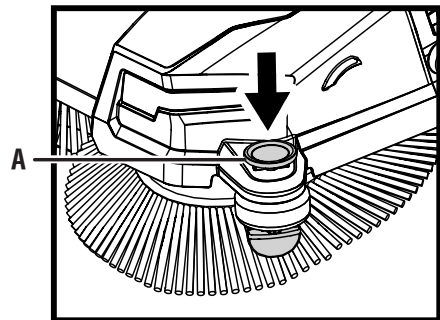
A - Battery port (logements des pile, puerto de batería)
 B - Battery pack (bloc-pile, paquete de batería)

Fig. 6



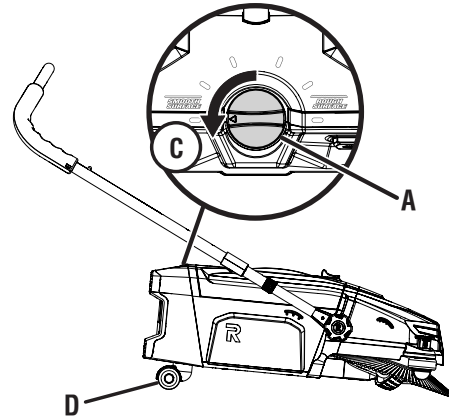
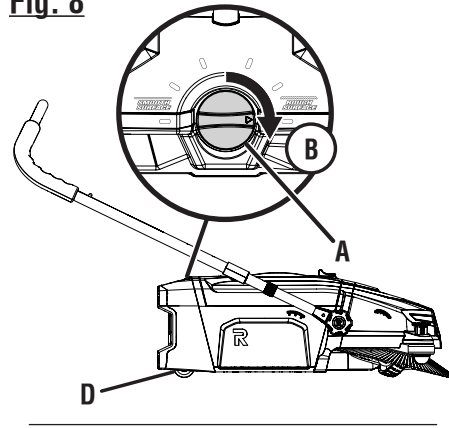
A - On/off button (interrupteur marche/arrêt, interruptor de encendido/apagado)

Fig. 7



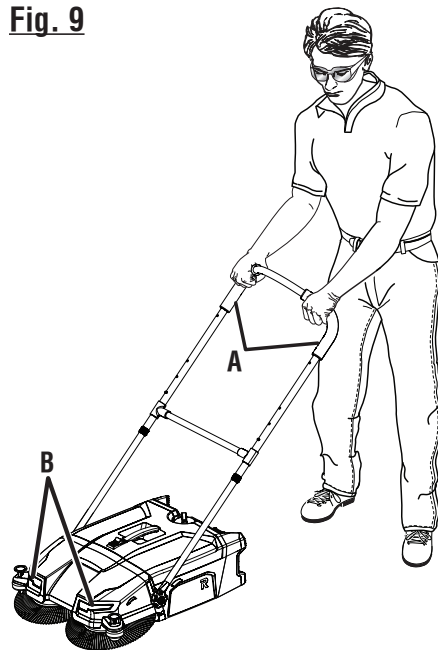
A - Bristle deflector (déflecteur des poils, deflector de cerdas)

Fig. 8



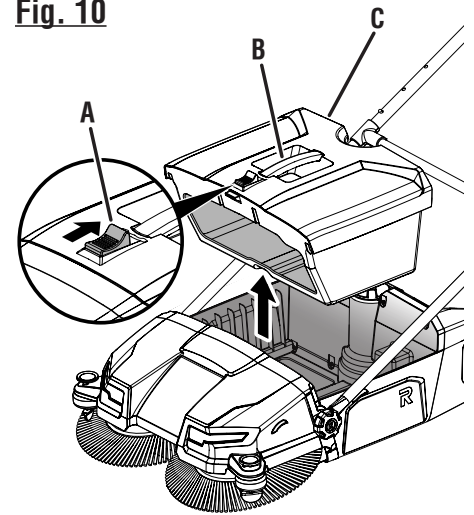
A - Height adjustment knob (bouton de réglage de hauteur, perilla de ajuste de altura)
 B - To raise brush height (pour élever la brosse, para subir la altura de los cepillos)
 C - To lower brush height (pour abaisser la brosse, para bajarla la altura de los cepillos)
 D - Rear caster (roulette arrière, rueda trasera)

Fig. 9



A - Handle grips (prises de la poignée, mangos con empuñadura)
 B - LED headlights (phares DEL, luces delanteras LED)

Fig. 10



A - Latch (languette, pestillo)
 B - Canister handle (poignée du réservoir, mango del contenedor)
 C - Debris canister (réservoir de déchets, contenedor de desechos)

Fig. 11

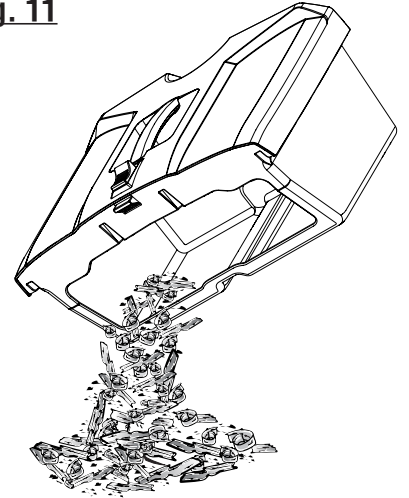
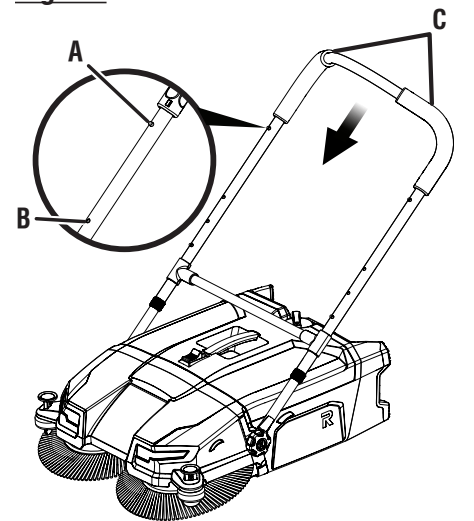
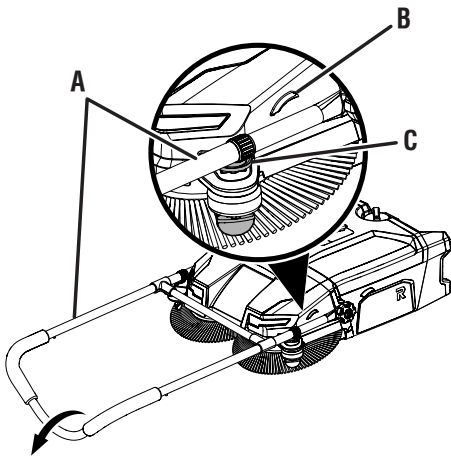


Fig. 12



A - Button (bouton, botón)
 B - Hole (trou, agujero)
 C - Handle grips (prises de la poignée, mangos con empuñadura)

Fig. 13



- A - Handle assembly (ensemble de poignée, conjunto de mango)
B - Front detent (cran d'arrêt avant, trinquete delantero)
C - Bristle deflector (déflecteur des poils, deflector de cerdas)

Fig. 14

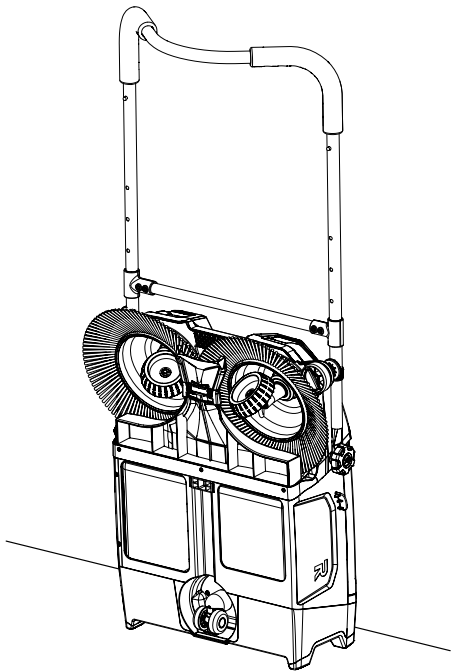
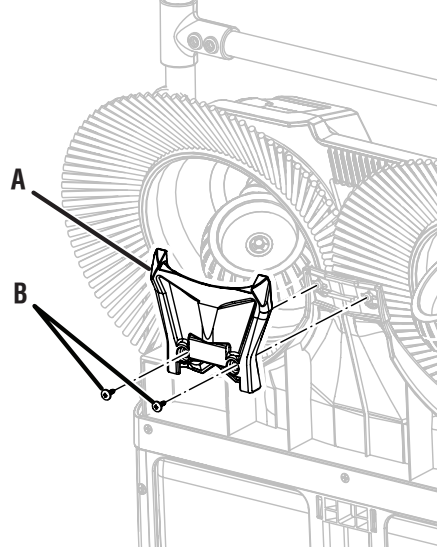
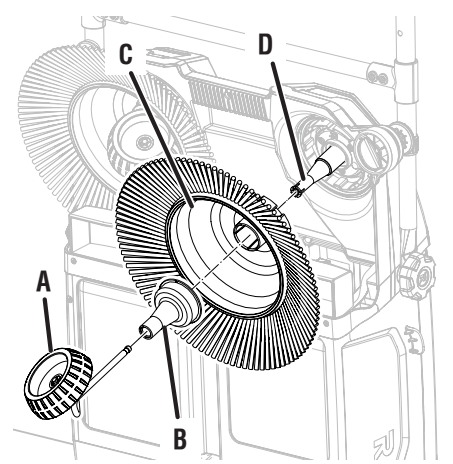


Fig. 15



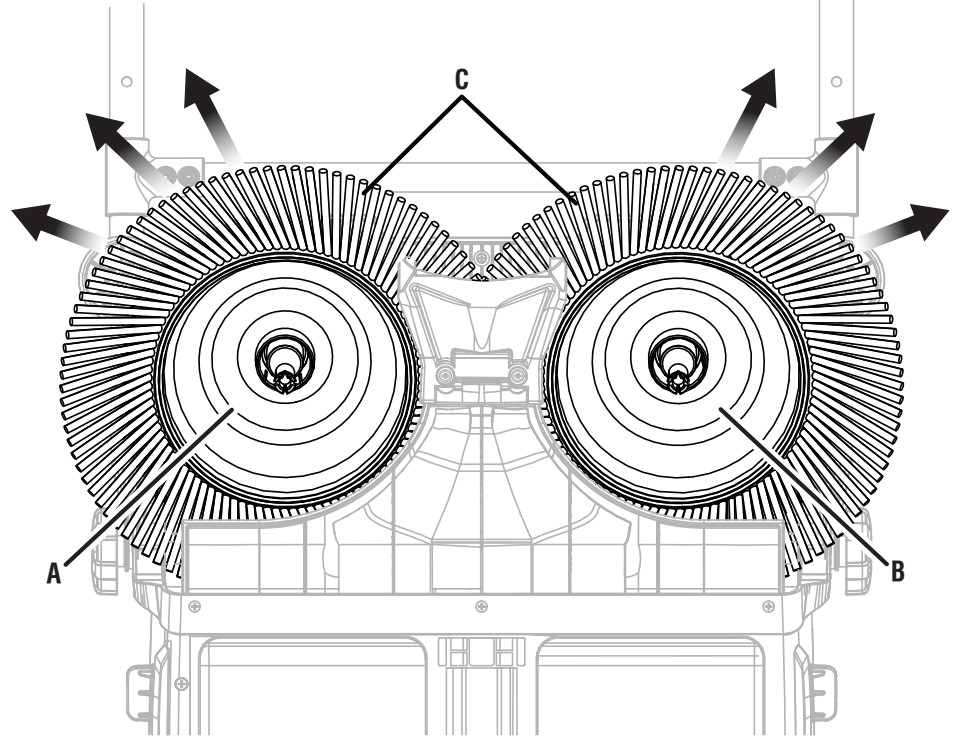
- A - Bracket (support, soporte)
B - Screws (vis, tornillos)

Fig. 16



- A - Castor assembly (ensemble de roulettes, conjunto de las ruedas)
B - Support (support, soporte)
C - Right brush (balai droite, escobilla derecha)
D - Shaft (arbre, eje)

Fig. 17



- A - Left brush (balai gauche, escobilla izquierdo)
B - Right brush (balai droite, escobilla derecha)
C - Bristles (soies, cerdas)



OPERATOR'S MANUAL/18 V DEVOUR™ CORDLESS SWEEPER
MANUEL D'UTILISATION/ BALAYEUSE SANS FIL DEVOUR™ DE 18 V
MANUAL DEL OPERADOR/ BARREDOR INALÁMBRICO DEVOUR™ DE 18 V
P3260

To request service, purchase replacement parts,
locate an Authorized Service Center and obtain Customer or Technical Support:

Visit **www.ryobitools.com** or call **1-800-525-2579**

If any parts or accessories are damaged or missing,
do not return this product to the store. Call **1-800-525-2579** for immediate service.

Please obtain your model and serial number from the product data plate.

This product is covered under a 3-year limited Warranty. Proof of purchase is required.

MODEL NUMBER _____ SERIAL NUMBER _____

RYOBI is a registered trademark of Ryobi Limited and is used pursuant to a license granted by Ryobi Limited.

Pour faire une demande de réparations ou obtenir des pièces de rechange, trouver un
Centre de réparations agréé pour obtenir un soutien technique ou le Service à la clientèle :

Visiter **www.ryobitools.com** ou en téléphonant au **1-800-525-2579**

Si des pièces ou accessoires sont manquantes ou endommagées, ne pas retourner
ce produit au magasin. Appeler immédiatement au **1-800-525-2579** pour obtenir de l'aide.

Inscrire les numéros de modèle et de série inscrits sur la plaque d'identification du produit.

Ce produit est couvert par une garantie limitée de trois (3) ans. Une preuve d'achat est exigée.

NUMÉRO DE MODÈLE _____ NUMÉRO DE SÉRIE _____

RYOBI est une marque déposée de Ryobi Limited et est utilisée en vertu d'une licence accordée par Ryobi Limited.

Para obtener servicio, comprar piezas de repuesto, localizar un centro de servicio autorizado
y obtener Servicio o Asistencia Técnica al Consumidor:

Visite **www.ryobitools.com** (en la EE.UU.) o **www.ryobitools.mx** (en México)
o llame al **1-800-525-2579** (en la EE.UU.) o **01-800-843-1111** (en México).

Si hay alguna pieza o accesorios dañada o faltante, no devuelva este producto a la tienda.
Llame al **1-800-525-2579** (en la EE.UU.) o **01-800-843-1111** (en México) para servicio técnico inmediato.

Obtenga su modelo y número de serie de la placa de datos del producto.

Este producto está cubierto con una garantía limitada de 3 años. Se solicita prueba de la compra.

NÚMERO DE MODELO _____ NÚMERO DE SERIE _____

RYOBI es una marca registrada de Ryobi Limited y se utiliza conforme a una licencia otorgada por Ryobi Limited.

ONE WORLD TECHNOLOGIES, INC.

1428 Pearman Dairy Road, Anderson, SC 29625 • Phone 1-800-525-2579

États-Unis, Téléphone 1-800-525-2579 • USA, Teléfono 1-800-525-2579

www.ryobitools.com