




REGISTER YOUR TOOLS
 @ <http://register.ryobitools.com>
 1-800-525-2579

EN MEXICO:
PARA MÁS INFORMACIÓN
WWW.RYOBITOOLS.MX
CENTROS DE SERVICIO
 01-800-843-1111



OPERATOR'S MANUAL

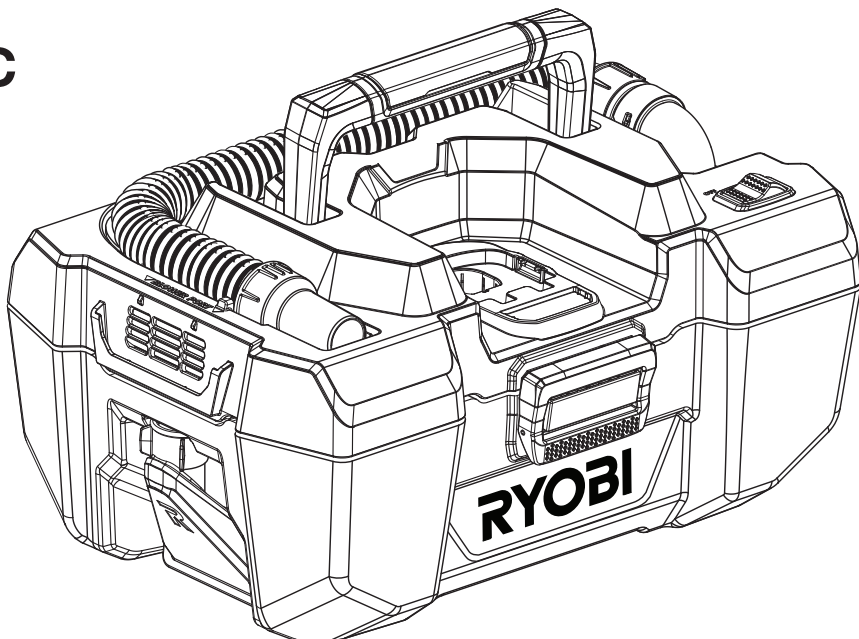
MANUEL D'UTILISATION
 MANUAL DEL OPERADOR

18 VOLT WET/DRY VAC

ASPIRATEUR SEC/HUMIDE
 EAU DE 18 V

ASPIRADORA EN
 HÚMEDO/SECO DE 18 V

P3240/P3240ID



INCLUDES: Wet/Dry Vac, Flexible Hose, Filter, Utility Nozzle, Crevice Tool, Operator's Manual

TABLE OF CONTENTS

- Important Safety Instructions.....2-3
- Symbols.....4
- Assembly.....5
- Operation.....5-6
- Maintenance.....6-7
- Illustrations.....8-10
- Parts Ordering and Service.....Back page

INCLUT : Aspirateur sec/humide, tuyau flexible, filtre, suceur utilitaire, suceur plat, manuel de l'opérateur

TABLE DES MATIÈRES

- Instructions importantes concernant la sécurité.....2-3
- Symboles.....4
- Assemblage.....5
- Utilisation.....5-6
- Entretien.....6-7
- Illustrations.....8-10
- Commande de pièces et dépannage..... Page arrière

INCLUYE: Aspiradora en seco o húmedo, manguera flexible, filtro, boquilla de servicio, boquilla rinconera, manual del operador

ÍNDICE DE CONTENIDO

- Importantes instrucciones de seguridad..... 2-3
- Símbolos.....4
- Armado.....5
- Funcionamiento..... 5-6
- Mantenimiento.....7
- Ilustraciones..... 8-10
- Pedidos de piezas y servicio..... Pág. posterior

⚠ WARNING: To reduce the risk of injury, the user must read and understand the operator's manual before using this product.

⚠ AVERTISSEMENT : Pour réduire les risques de blessures, l'utilisateur doit lire et veiller à bien comprendre le manuel d'utilisation avant d'employer ce produit.

⚠ ADVERTENCIA: Para reducir el riesgo de lesiones, el usuario debe leer y comprender el manual del operador antes de usar este producto.

SAVE THIS MANUAL FOR FUTURE REFERENCE

CONSERVER CE MANUEL POUR FUTURE RÉFÉRENCE

GUARDE ESTE MANUAL PARA FUTURAS CONSULTAS

IMPORTANT SAFETY INSTRUCTIONS

SAVE THESE INSTRUCTIONS

When using an electrical appliance, basic precautions should always be followed, including the following:

WARNING!

READ AND UNDERSTAND ALL INSTRUCTIONS. Failure to follow all instructions listed below, may result in electric shock, fire and/or serious personal injury.

READ ALL INSTRUCTIONS BEFORE USING THIS APPLIANCE

WARNING:

To reduce the risk of electric shock **DO NOT** expose to rain. Store indoors.




- **Use extra care when using on stairs.**
- **Do not** incinerate this appliance even if it is severely damaged. The batteries can explode in a fire.
- **The product does not have to be plugged into an electrical outlet, therefore it is always in operating condition.** Be aware of possible hazards when using the product or when changing accessories.
- **Remove battery when the vacuum is not in use and before servicing.**
- **Use battery only with charger listed.** For use with 18 V lithium-ion battery packs, see tool/appliance/battery pack/charger correlation supplement 987000-432. Do not use charger outdoors.
- **Recharge only with the charger specified by the manufacturer.** A charger that is suitable for one type of battery pack may create a risk of fire when used with another battery pack.
- **Use power tools only with specifically designated battery packs.** Use of any other battery packs may create a risk of injury and fire.
- **When battery pack is not in use, keep it away from other metal objects like: paper clips, coins, keys, nails, screws, or other small metal objects that can make a connection from one terminal to another.** Shorting the battery terminals together may cause sparks, burns, or a fire.
- **Always remove battery pack from your tool when you are assembling parts, making adjustments, cleaning, or when not in use.** Removing battery pack will prevent accidental starting that could cause serious personal injury.
- **Do not use a battery pack or power tool that is damaged or modified.** Damaged or modified batteries may exhibit unpredictable behavior resulting in fire, explosion or risk of injury.
- **Do not modify or attempt to repair the power tool or battery pack that has been damaged.**
- **To reduce the risk of serious personal injury, never use or expose battery pack or any cordless product in the presence of an open flame or temperature above 265°F.** An exploded battery can propel debris and chemicals. If exposed, flush with water immediately.
- **Prevent unintentional starting. Ensure the switch is in the off-position before connecting to power source and/or battery pack, picking up or carrying the product.** Carrying battery products with your finger on the switch or energizing battery products that have the switch on invites accidents.
- **Dress properly. Do not wear loose clothing or jewelry. Contain long hair. Keep your hair, loose clothing, fingers, and all parts of the body and clothing, away from openings and moving parts.** Loose clothes, jewelry, or long hair can be caught in internal moving parts.
- **Do not overreach. Keep proper footing and balance at all times.** Proper footing and balance enables better control of the hand vac in unexpected situations. Do not use on a ladder or unstable support.
- **Use safety equipment.** Dust mask must be used for appropriate conditions.
- **Do not** allow children to operate the product or play with the product as a toy. Close attention is necessary when used by or near children.
- **Use this product ONLY for its intended use as described in this manual.** Use only the attachments recommended in this manual.
- **If the product is not working properly, has been dropped, damaged, left outdoors, or dropped into water, return to your nearest service center.**
- **Do not** handle charger plug or product with wet hands.
- **Do not** put any objects in ventilation openings. Do not use with any opening blocked. Keep openings free of dust, lint, hair, and anything that may reduce air flow.
- **NEVER** vacuum materials that are burning or smoking, such as hot coals, cigarette butts, matches, burning or smoking ashes, etc.
- **DO NOT** use to pick up flammable or combustible liquids, such as gasoline, or use in areas where they may be present.
- **Do not** use for dry vacuuming without filter in place.

IMPORTANT SAFETY INSTRUCTIONS








- **Under abusive conditions, liquid may be ejected from the battery; avoid contact. If contact accidentally occurs, flush with water. If liquid contacts eyes, additionally seek medical help.** Liquid ejected from the battery may cause irritation or burns.
- **Protect your lungs. Wear a face or dust mask if the operation is dusty.** Following this rule will reduce the risk of serious personal injury.
- **Check for misalignment or binding of moving parts, breakage of parts, and any other condition that may affect the hand vac's operation. If damaged, have the product serviced before using.** Many accidents are caused by poorly maintained products.
- **Use only accessories that are recommended by the manufacturer for your model.** Accessories that may be suitable for one product may create a risk of injury when used on another product.
- **Do not let gasoline, oils, petroleum-based products, etc., come in contact with plastic parts.** They contain chemicals that can damage, weaken, or destroy plastic.
- **Have servicing performed by a qualified repair person using only identical replacement parts.** This will ensure that the safety of the product is maintained.
- **Appliance is intended for household use only.**
- **This product contains no serviceable parts.**
- **Save these instructions. Refer to them frequently and use them to instruct others who may use this hand vac. If you loan someone this hand vac, loan them these instructions also.**

SYMBOLS

The following signal words and meanings are intended to explain the levels of risk associated with this product.

SYMBOL	SIGNAL	MEANING
	DANGER:	Indicates a hazardous situation, which, if not avoided, will result in death or serious injury.
	WARNING:	Indicates a hazardous situation, which, if not avoided, could result in death or serious injury.
	CAUTION:	Indicates a hazardous situation, that, if not avoided, may result in minor or moderate injury.
	NOTICE:	(Without Safety Alert Symbol) Indicates information considered important, but not related to a potential injury (e.g. messages relating to property damage).

Some of the following symbols may be used on this product. Please study them and learn their meaning. Proper interpretation of these symbols will allow you to operate the product better and safer.

SYMBOL	NAME	DESIGNATION/EXPLANATION
	Safety Alert	Indicates a potential personal injury hazard.
	Read Operator's Manual	To reduce the risk of injury, user must read and understand operator's manual before using this product.
	Eye Protection	Always wear eye protection with side shields marked to comply with ANSI Z87.1.
	Wet Conditions Alert	Do not expose to rain or use in damp locations.
	Long Hair	Risk of long hair being drawn into air inlet.
	Collection Container Lid	Do not run unit while collection container lid is unsecured.
	Recycle Symbol	This product uses lithium-ion (Li-ion) batteries. Local, state or federal laws may prohibit disposal of batteries in ordinary trash. Consult your local waste authority for information regarding available recycling and/or disposal options.
V	Volts	Voltage
min	Minutes	Time
—	Direct Current	Type or a characteristic of current
n_0	No Load Speed	Rotational speed, at no load
.../min	Per Minute	Revolutions, strokes, surface speed, orbits etc., per minute

ASSEMBLY

WARNING:

Do not use this product if it is not completely assembled or if any parts appear to be missing or damaged. Use of a product that is not properly and completely assembled or with damaged or missing parts could result in serious personal injury.

WARNING:

Do not attempt to modify this product or create accessories or attachments not recommended for use with this product. Any such alteration or modification is misuse and could result in a hazardous condition leading to possible serious personal injury.

If any parts are damaged or missing, please call 1-800-525-2579 for assistance. In Mexico, please call 01-800-843-1111.

OPERATION

WARNING:

Do not allow familiarity with this product to make you careless. Remember that a careless fraction of a second is sufficient to inflict serious injury.

WARNING:

Always remove battery pack from the tool when you are assembling parts, making adjustments, cleaning, or when not in use. Removing battery pack will prevent accidental starting that could cause serious personal injury.

WARNING:

Always wear eye protection with side shields marked to comply with ANSI Z87.1. Failure to do so could result in objects being thrown into your eyes and other possible serious injuries.

WARNING:

Do not use any attachments or accessories not recommended by the manufacturer of this product. The use of attachments or accessories not recommended can result in serious personal injury.

- Rotate the other end of the flexible hose clockwise to unlock and pull away from the vacuum port.

INSTALLING/REMOVING BATTERY PACK

See Figure 2, page 8.

- Set the ON/OFF switch to the OFF position.
- Insert the battery pack into the product as shown.
- Make sure the latches on each side of the battery pack snap into place and that battery pack is secured in the product before beginning operation.
- Depress the latches to remove the battery pack.

For complete charging instructions, see the operator's manuals for your battery pack and charger.

STARTING/STOPPING THE WET/DRY VAC

See Figure 3, page 8.

WARNING:

To reduce the risk of fire or explosion, do not leave the product running while unattended. Immediately stop the unit if it shows signs of abnormal operation such as loss of suction, liquid or debris in the exhaust, or any abnormal motor noises.

- **To start the wet/dry vac:** press the ON/OFF switch to the ON position.
- **To stop the wet/dry vac:** press the ON/OFF switch to the OFF position.

INSTALLING/REMOVING ATTACHMENTS

See Figure 4, page 9.

Vacuuming can be performed with only the flexible hose or the hose with vacuum attachments.

- Turn off the wet/dry vac.
- Insert the attachment onto the tapered end of the flexible hose, making sure the attachment is firmly in place.
- To remove, hold the attachment and pull from hose.

APPLICATIONS

You may use this product for the following purpose:

- Light-duty vacuuming of wet or dry surfaces

INSTALLING/REMOVING THE FLEXIBLE HOSE

See Figure 1, page 8.

- Align the raised locking tab on the end of the flexible hose with the slot on the vacuum port. Push in and twist counterclockwise to lock.
- Insert the tapered end of the flexible hose into accessory.
- To disassemble, remove the accessory from the flexible hose.

OPERATION

DRY VACUUMING

See Figure 5, page 9.

Vacuum only items small enough to fit through the hose or the attachment. When vacuuming, make sure that the dry use filter stays in place. The performance of the wet/dry vac will decrease with a full collection container. When emptying the collection container, check to see if the dry use filter needs replacing.

NOTE: The wet/dry vac is shipped ready for dry use vacuuming. To equip the wet/dry vac for wet use, remove the dry use filter.

CAUTION:

In low relative humidity conditions, vacuuming fine debris with the wet/dry vac can cause a static charge resulting in static shock. To reduce static shock while using, add moisture to the air with a humidifier.

WET VACUUMING

See Figure 6, page 9.

When wet vacuuming, be aware that the wet/dry vac is equipped with a water float inside the filter unit housing. This water float is designed to shut off the suction when the collection container reaches full wet capacity. When the collection container is full, turn the wet/dry vac **OFF** and empty the collection container as shown in *Maintenance*.

- Unlock the locking latches and remove the lid.
- Remove the dry use filter by rotating the filter counter-clockwise to unlock and pull the filter free of the filter housing.
- Replace lid and lock securely.

WARNING:

When vacuuming liquid, make sure the canister vac does not get submerged or doused in liquid, which could cause shock, vacuum failure, or personal injury.

USING THE WET/DRY VAC AS A BLOWER

See Figure 7, page 9.

At all times, the wet/dry vac blows air through the blower port as part of the exhaust system. However, you can use the wet/dry vac as a blower by attaching the utility nozzle to the blower port.

- Turn off the wet/dry vac and remove the battery pack.
- Remove the hose from the tank.
- Remove the utility nozzle from the hose if attached.
- Push larger end of the utility nozzle into the opening of the exhaust port. Attach the flexible hose to the tapered end of the utility nozzle to use as a blower.
- To remove the utility nozzle, pull the nozzle from the opening in the exhaust port.

To keep from scattering debris, blow around the outer edges of a debris pile. Never blow directly into the center of a pile. Use rakes and brooms to loosen debris before blowing. In dusty conditions, slightly dampen surfaces when water is available.

Watch out for children, pets, open windows, or freshly washed cars, and blow debris safely away.

After using blowers or other equipment, CLEAN UP! Dispose of debris properly.

MAINTENANCE

WARNING:

When servicing, use only identical replacement parts. Use of any other part could create a hazard or cause product damage.

GENERAL MAINTENANCE

Avoid using solvents when cleaning plastic parts. Most plastics are susceptible to damage from various types of commercial solvents and can be damaged by their use. Use clean cloths to remove dirt, dust, oil, grease, etc.

WARNING:

Do not at any time let brake fluids, gasoline, petroleum-based products, penetrating oils, etc., come in contact with plastic parts. Chemicals can damage, weaken or destroy plastic which could result in serious personal injury.

REMOVING WASTE FROM THE COLLECTION CONTAINER

See Figure 8 - 9, pages 9 -10.

The collection container should be checked, emptied, and cleaned periodically to obtain maximum efficiency.

MAINTENANCE

Dry waste:

- Remove the battery pack.
- Unlock the locking latches and remove the lid.
- Remove the dry use filter.
- Inspect filter, lightly shake any dust or dirt from the filter, or replace as necessary.
- Empty the collection container; wash out if necessary.
- Reinstall dry use filter.
- Before replacing the lid, make sure all pieces are completely dry.
- Replace lid and lock securely.

Liquid waste:

- Remove the battery pack.
- Unlock the locking latches and remove the lid.
- Empty the collection container; wash out if necessary. Before replacing the lid, make sure all pieces are completely dry.
- Replace lid and lock securely.

CAUTION:

Do not allow liquid pick up to remain in the collection container for extended periods of time. Moisture can develop in the motor compartment and shorten the life of the motor.

CAUTION:

Do not turn unit upside down, as liquid may enter the motor unit.

CLEANING/REPLACING THE DRY USE FILTER

See Figure 10, page 10.

- Remove the battery pack.
- Unlock the two locking latches and remove the lid.

To clean:

- Remove the dry use filter by rotating the filter counter-clockwise to unlock and pull the filter free of the filter housing.

- Lightly shake any dust or dirt off the filter.
- Reinstall the filter by aligning the raised locking tab on the filter with the slot on the filter housing on the underside of the lid. Rotate the filter clockwise to lock into place.

NOTE: Make sure the filter is seated properly for dry vacuuming. Remove the filter for wet vacuuming.

To replace:

- Remove the dry use filter by rotating the filter counter-clockwise to unlock and pull the filter free of the filter housing.
- Replace with new filter by aligning the raised locking tab on the filter with the slot on the filter housing on the underside of the lid. Rotate the filter clockwise to lock into place.

NOTE: Make sure the filter is seated properly for dry vacuuming. Remove the filter for wet vacuuming.

When purchasing replacement filter, request recommended part number 312711001 (Model number A32VC05).

STORAGE

- Clean all foreign material from the wet/dry vac.
- Clean the outside of the collection container with warm water and mild soap.
- Empty and clean the collection container, flexible hose, nozzles, and attachments with warm water and mild soap and allow to completely dry before storage.
- Store flexible hose and attachments inside the collection container or on the lid.
- The collection container should be disinfected as needed and before prolonged storage.
- Store indoors in a place that is inaccessible to children. Keep away from corrosive agents such as garden chemicals and de-icing salts.

**NOTE: ILLUSTRATIONS START ON PAGE 8
AFTER FRENCH AND SPANISH LANGUAGE SECTIONS.**

INSTRUCTIONS IMPORTANTES CONCERNANT LA SÉCURITÉ

CONSERVER CES INSTRUCTIONS

L'utilisation d'un appareil électrique demande d'observer en tout temps des précautions élémentaires, dont celles-ci :

AVERTISSEMENT !

LIRE ATTENTIVEMENT TOUTES LES INSTRUCTIONS.

Le non-respect de toutes les instructions ci-dessous peut entraîner un choc électrique, un incendie et/ou des blessures graves.

LIRE TOUTES LES INSTRUCTIONS AVANT D'UTILISER CET APPAREIL

AVERTISSEMENT :

Pour réduire le risque de choc électrique, **NE PAS** exposer l'appareil à la pluie. L'entreposer à l'intérieur.




- **NE JAMAIS** utiliser l'aspirateur pour ramasser des charbons ardents, des mégots de cigarettes, des allumettes, des cendres brûlantes ou fumantes, etc.
- **NE PAS** utiliser l'appareil pour aspirer des liquides inflammables ou combustibles comme de l'essence ou dans des endroits où de tels produits peuvent se trouver.
- **Ne pas** utiliser sans filtre pour l'aspiration à sec.
- **Redoubler de prudence lors de l'utilisation dans des escaliers.**
- **Ne pas** incinérer cet appareil, même s'il est fortement endommagé. Les piles peuvent exploser si elles sont jetées au feu.
- **Un produit sans fil n'ayant pas besoin d'être branché sur une prise secteur, il est toujours en état de fonctionnement.** Tenir compte des dangers possibles pendant l'utilisation de le produit et du changement d'accessoire.
- **Retirer la pile lorsque l'aspirateur n'est pas en usage et avant tout entretien.**
- **Ne recharger les piles qu'avec l'appareil indiqué.** Pour utiliser l'appareil avec des batteries au lithium-ion de 18 V, consulter le supplément de raccordement pour chargeur/outils/batteries/appareil n° 987000-432. Ne pas utiliser le chargeur à l'extérieur.
- **Ne recharger qu'avec l'appareil spécifié par le fabricant.** Un chargeur approprié pour un type de pile peut créer un risque d'incendie s'il est utilisé avec un autre type de pile.
- **Utiliser exclusivement le bloc-pile spécifiquement indiqué pour l'outil.** L'usage de tout autre bloc peut créer un risque de blessures et d'incendie.
- **Lorsque le bloc-piles n'est pas en usage, le tenir à l'écart d'articles métalliques tels que : les attaches trombones, pièces de monnaie, clés, clous, vis et autres petits objets métalliques risquant d'établir le contact entre les deux bornes.** La mise en court-circuit des bornes de piles peut causer des étincelles, des brûlures ou un incendie.
- **Toujours retirer le bloc-piles de l'outil au moment d'assembler des pièces, d'effectuer des réglages et de procéder au nettoyage, ou lorsque l'outil n'est pas utilisé.** Le fait de retirer le bloc-piles permet d'empêcher un démarrage accidentel pouvant entraîner des blessures graves.
- **Porter des vêtements appropriés. Ne porter ni vêtements amples ni bijoux. Confiner les cheveux longs. Garder les cheveux, les vêtements amples, les doigts ainsi que toutes les parties du corps et des vêtements à l'écart des ouvertures et des pièces en mouvement.** Les vêtements amples, bijoux et cheveux longs peuvent se prendre dans les pièces en mouvement.
- **Ne pas travailler hors de portée. Toujours se tenir bien campé et en équilibre.** Une bonne tenue et un bon équilibre permettent de mieux contrôler l'aspirateur à main en cas de situation imprévue. Ne pas utiliser le produit sur une échelle ou un support instable.
- **Utiliser l'équipement de sécurité.** Un masque filtrant doit être porté dans les environnements poussiéreux.
- **Ne pas** laisser les enfants utiliser le produit ou s'en servir comme un jouet. Porter une attention particulière lorsque des enfants se trouvent à proximité.
- **Utiliser cet produit SEULEMENT pour les applications pour lesquelles il est conçu, selon les instructions de ce manuel.** Utiliser exclusivement les accessoires recommandés dans ce manuel.
- **Si le produit ne fonctionne pas correctement, est tombé, a été endommagé, laissé à l'extérieur ou immergé, le retourner au centre de réparations le plus proche.**
- **Ne pas** manipuler la prise du chargeur ou le produit avec des mains mouillées.
- **Ne pas** insérer dans les ouies d'aération. Ne pas utiliser si des ouvertures sont obstruées. Veiller à ce que les ouvertures ne soient jamais obstruées par de la poussière, de la peluche, des cheveux ou quoi que ce soit risquant de réduire le flux d'air.

INSTRUCTIONS IMPORTANTES CONCERNANT LA SÉCURITÉ








- **Ne pas utiliser un bloc-piles ou un outil endommagé ou modifié.** Les piles endommagées ou modifiées peuvent produire un comportement imprévisible pouvant provoquer un incendie, une explosion ou des blessures.
- **Ne pas modifier ou tenter de réparer un outil ou un bloc-piles ayant été endommagé.**
- **Afin de réduire les risques de blessures graves, ne jamais le bloc-piles ou utiliser l'outil sans fil en présence d'une flamme nue ou à une température supérieure à 129,4 °C (265 °F).** Une pile qui explose peut projeter des débris et des produits chimiques. En cas d'exposition, rincer immédiatement avec de l'eau.
- **Éviter les démarrages accidentels. S'assurer que le commutateur est en position d'arrêt avant de brancher l'outil.** Porter un outil avec le doigt sur son commutateur ou brancher un outil dont le commutateur est en position de marche peut causer un accident.
- **En cas d'usage abusif, du liquide peut s'échapper des piles. Éviter tout contact avec ce liquide. En cas de contact accidentel, rincer immédiatement les parties atteintes avec de l'eau. En cas d'éclaboussure dans les yeux consulter un médecin.** Le liquide s'échappant des piles peut causer des irritations ou des brûlures.
- **Protection respiratoire. Porter un masque facial ou un masque anti-poussière si le travail produit de la poussière.** Le respect de cette règle réduira les risques de blessures graves.
- **Vérifier qu'aucune pièce mobile n'est mal alignée ou bloquée, qu'aucune pièce n'est brisée et s'assurer qu'aucun autre problème ne risque d'affecter le bon fonctionnement de le produit. En cas de dommages, faire réparer l'outil avant de l'utiliser de nouveau.** Plusieurs accidents sont causés par des produits mal entretenus.
- **Utiliser exclusivement les accessoires recommandés par le fabricant pour le modèle d'produit.** Des accessoires appropriés pour un produit peuvent être dangereux s'ils sont utilisés avec un autre.
- **Ne jamais laisser de liquides tels que, l'essence, les produits à base de pétrole, les huiles pénétrantes, etc., entrer en contact avec les pièces en plastique.** Ces liquides contiennent chimiques susceptibles d'endommager, d'affaiblir ou de détruire le plastique.
- **Demander à un réparateur qualifié d'effectuer la réparation en utilisant des pièces de rechange identiques.** Ceci assurera la bonne sécurité du produit réparé.
- **Aucune pièce de ce produit ne peut être réparée par l'utilisateur.**
- **Ce produit est conçu pour un usage domestique seulement.**
- **Conserver ces instructions. Les consulter fréquemment et les utiliser pour instruire les autres utilisateurs éventuels. Si cet aspirateur à main est prêté, il doit être accompagné de ces instructions.**

SYMBOLES

Les termes de mise en garde suivants et leur signification ont pour but d'expliquer le degré de risques associé à l'utilisation de ce produit.

SYMBOLE	SIGNAL	SIGNIFICATION
	DANGER :	Indique une situation dangereuse qui, si elle n'est pas évitée, aura pour conséquences des blessures graves ou mortelles.
	AVERTISSEMENT :	Indique une situation dangereuse qui, si elle n'est pas évitée, pourrait entraîner des blessures graves ou mortelles.
	ATTENTION :	Indique une situation dangereuse qui, si elle n'est pas évitée, pourrait entraîner des blessures légères ou de gravité modérée.
	AVIS :	(Sans symbole d'alerte de sécurité) Indique les informations jugées importantes sans toutefois représenter un risque de blessure (ex. : messages concernant les dommages matériels).

Certains des symboles ci-dessous peuvent être utilisés sur produit. Veiller à les étudier et à apprendre leur signification. Une interprétation correcte de ces symboles permettra d'utiliser produit plus efficacement et de réduire les risques.

SYMBOLE	NOM	DÉSIGNATION / EXPLICATION
	Symbole d'alerte de sécurité	Indique un risque de blessure potentiel.
	Lire manuel d'utilisation	Pour réduire les risques de blessures, l'utilisateur doit lire et veiller à bien comprendre le manuel d'utilisation avant d'utiliser ce produit.
	Protection oculaire	Toujours porter une protection oculaire avec écrans latéraux certifiée conforme à la norme ANSI Z87.1.
	Avertissement concernant l'humidité	Ne pas exposer à la pluie ou l'humidité.
	Cheveux longs	Risque que les cheveux longs soient aspirés dans l'entrée d'air.
	Récipient de collecte	Ne pas utiliser lorsque le couvercle du récipient de collecte n'est pas bien en place.
	Symbole de recyclage	Ce produit utilise les piles de lithium-ion (Li-ion). Les réglementations locales ou gouvernementales peuvent interdire de jeter les piles dans les ordures ménagères. Consulter les autorités locales compétentes pour les options de recyclage et/ou l'élimination.
V	Volts	Tension
min	Minutes	Temps
==	Courant continu	Type ou caractéristique du courant
n_0	Vitesse à vide	Vitesse de rotation à vide
.../min	Par minute	Tours, coups, vitesse périphérique, orbites, etc., par minute

ASSEMBLAGE

AVERTISSEMENT :

Ne pas utiliser le produit s'il n'est pas complètement assemblé ou si des pièces semblent manquantes ou endommagées. L'utilisation d'un produit dont l'assemblage est incorrect ou incomplet ou comportant des pièces endommagées ou absentes représente un risque de blessures graves.

AVERTISSEMENT :

Ne pas essayer de modifier cet outil ou de créer des pièces et accessoires non recommandés. De telles altérations ou modifications sont considérées comme un usage abusif et peuvent créer des conditions dangereuses, risquant d'entraîner des blessures graves.

Si des pièces manquent ou sont endommagées, veuillez appeler au 1-800-525-2579 pour obtenir de l'aide. Au Mexique, veuillez composer le numéro 01-800-843-1111.

UTILISATION

AVERTISSEMENT :

Ne pas laisser la familiarité avec l'outil faire oublier la prudence. Ne pas oublier qu'une fraction de seconde d'inattention peut entraîner des blessures graves.

AVERTISSEMENT :

Toujours retirer la bloc-pile de l'outil au moment d'assembler des pièces, d'effectuer des réglages et de procéder au nettoyage, ou lorsque l'outil n'est pas utilisé. Si cette précaution n'est pas prise, des objets peuvent être projetés dans les yeux et causer des lésions graves.

AVERTISSEMENT :

Toujours porter une protection oculaire avec écrans latéraux certifiée conforme à la norme ANSI Z87.1. Ne pas suivre cette directive pourrait entraîner des blessures graves comme la projection d'objets dans vos yeux.

AVERTISSEMENT :

Ne pas utiliser d'outils ou accessoires non recommandés par le fabricant pour cet outil. L'utilisation de pièces et accessoires non recommandés peut entraîner des blessures graves.

APPLICATIONS

Cet outil ne doit être utilisé que pour les applications listées ci-dessous.

- Nettoyage léger des surfaces sèches ou humides

INSTALLATION/RETRAIT DE LA TUYAU FLEXIBLE

Voir la figure 1, page 8.

- Aligner la languette de verrouillage en saillie au bout du tuyau flexible avec la fente sur l'orifice d'aspiration. Pousser vers l'intérieur et tourner dans le sens antihoraire pour verrouiller.

- Insérer le bout conique du tuyau flexible dans l'accessoire.
- Pour désassembler, retirer l'accessoire du tuyau flexible.
- Tourner l'autre bout du tuyau flexible dans le sens horaire pour déverrouiller et tirer de l'orifice de l'aspirateur.

INSTALLATION/RETRAIT DU BLOC-PILES

Voir la figure 2, page 8.

- Positionnez le commutateur MARCHE/ARRÊT en position ARRÊT.
- Insérer la pile dans l'outil comme illustré.
- S'assurer que les loquets de chaque côté de la pile s'enclenchent en place et que la pile est bien fixée à l'outil avant de mettre l'outil en marche.
- Relâcher les loquets pour retirer le bloc-piles.

Pour prendre connaissance des consignes de chargement, consulter le manuel d'utilisation des piles et des chargeurs.

DÉMARRER/ARRÊTER L'ASPIRATEUR SEC/HUMIDE

Voir la figure 3, page 8.

AVERTISSEMENT :

Pour réduire le risque d'incendie ou d'explosion, ne laissez pas le produit en marche sans surveillance. Arrêtez immédiatement l'appareil s'il présente des signes de dysfonctionnement comme la perte d'aspiration, de liquides ou de débris dans l'échappement, ou n'importe quels bruits anormaux de moteur.

- **Pour démarrer l'aspirateur sec/humide :** Positionnez le commutateur MARCHE/ARRÊT en position MARCHE.
- **Pour arrêter l'aspirateur sec/humide :** Positionnez le commutateur MARCHE/ARRÊT en position ARRÊT.

INSTALLATION/RETRAIT DES ACCESSOIRES

Voir la figure 4, page 9.

L'aspiration peut s'effectuer avec soit le tuyau flexible seulement ou soit avec le tuyau et les accessoires d'aspiration.

- Arrêtez l'aspirateur sec/humide.

UTILISATION

- Insérez l'accessoire dans l'extrémité avant du tuyau flexible, en vous assurant que l'accessoire est bien fixé.
- Pour l'enlever, tenez l'accessoire et tirez-le du tuyau.

L'ASPIRATION À SEC

Voir la figure 5, page 9.

N'aspirez que les éléments suffisamment petits pour entrer dans le tuyau ou l'accessoire. Lors de l'aspiration, assurez-vous que le filtre pour l'utilisation à sec est bien en place. La performance de l'aspirateur sec/humide diminuera avec un récipient de collecte plein. Au moment de vider le récipient de collecte, vérifiez si le filtre pour l'utilisation à sec doit être remplacé.

NOTE : L'aspirateur sec/humide est livré prêt à l'emploi pour l'aspiration à sec. Pour préparer l'aspirateur sec/humide à l'aspiration humide, enlevez le filtre utilisé pour l'aspiration à sec.

ATTENTION :

Dans des conditions d'humidité relativement faibles, l'aspiration de débris très fins peut causer une charge statique entraînant une décharge statique. Pour réduire les décharges statiques lors de l'utilisation, ajoutez de l'humidité dans l'air avec un humidificateur.

L'ASPIRATION HUMIDE

Voir la figure 6, page 9.

Lors de l'aspiration humide, sachez que votre aspirateur sec/humide est équipé d'un bouchon de sûreté situé à l'intérieur du boîtier du filtre. Ce bouchon de sûreté est conçu pour arrêter l'aspiration lorsque le récipient de collecte atteint sa pleine capacité humide. Quand le récipient de collecte est plein, arrêtez l'aspirateur sec/humide en mettant le commutateur à la position ARRÊT et videz le récipient de collecte comme indiqué dans la section *Entretien*.

- Déverrouillez les loquets de verrouillage et retirez le couvercle.
- Retirer le filtre pour l'aspiration à sec en le tournant dans le sens antihoraire pour déverrouiller, et retirer le filtre du boîtier.

- Remettez le couvercle et verrouillez-le bien.

AVERTISSEMENT :

Lors de l'aspiration de liquides, assurez-vous que l'aspirateur-traîneau ne soit pas immergé ou aspergé de liquides, ce qui pourrait causer une décharge électrique, une panne de l'aspirateur ou des blessures.

UTILISER L'ASPIRATEUR SEC/HUMIDE COMME SOUFFLEUR

Voir la figure 7, page 9.

En tout temps, l'aspirateur sec/humide souffle de l'air par l'orifice souffleur, qui fait partie du système d'évacuation. Toutefois, on peut utiliser l'aspirateur sec/humide comme souffleur en attachant le suceur utilitaire dans l'orifice du souffleur.

- Éteindre l'aspirateur sec/humide et enlever le bloc-piles.
- Retirer le tuyau du réservoir.
- Retirer le suceur utilitaire du boyau s'il y est fixé.
- Pousser la partie la plus large du suceur utilitaire dans l'ouverture de l'orifice du souffleur. Fixer le tuyau flexible à l'embout conique du suceur utilitaire pour l'utiliser comme souffleur.
- Pour retirer le suceur utilitaire, tirer le suceur de l'ouverture dans l'orifice d'évacuation.

Pour éviter de répandre les débris, souffler à partir des bords extérieurs de la pile de débris. Ne jamais souffler directement dans le centre de la pile.

Utiliser des râteliers et des balais pour déloger les débris avant de les souffler. Lorsque les conditions sont poussiéreuses, mouiller légèrement les surfaces si on a accès à de l'eau.

Prêter attention aux enfants, animaux, fenêtres ouvertes ou véhicules fraîchement lavés et souffler les débris en direction opposée.

Après avoir utilisé les soufflantes ou d'autres appareils, NETTOYER! Éliminer convenablement les débris.

ENTRETIEN

AVERTISSEMENT :

Utiliser exclusivement des pièces d'origine pour les réparations. L'usage de toute autre pièce pourrait créer une situation dangereuse ou endommager le produit.

ENTRETIEN GÉNÉRAL

Éviter d'utiliser des solvants pour le nettoyage des pièces en plastique. La plupart des matières plastiques peuvent être endommagées par divers types de solvants du commerce. Utiliser un chiffon propre pour éliminer la saleté, la poussière, l'huile, la graisse, etc.

ENTRETIEN



AVERTISSEMENT :

Ne jamais laisser de liquides tels que le fluide de freins, l'essence, les produits à base de pétrole, les huiles pénétrantes, etc., entrer en contact avec les pièces en plastique. Les produits chimiques peuvent endommager, affaiblir ou détruire le plastique, ce qui peut entraîner des blessures graves.

RETIREZ LES DÉCHETS DU RÉCIPIENT DE COLLECTE

Voir la figures 8 et 9, page 9 et 10.

Le récipient de collecte doit être vérifié, vidé, et nettoyé régulièrement pour obtenir une efficacité maximale.

Les déchets secs :

- Retirer le bloc-piles.
- Déverrouillez les loquets de verrouillage et retirez le couvercle.
- Enlevez le filtre utilisé pour l'aspiration à sec.
- Inspectez le filtre, secouez légèrement le filtre pour le débarrasser de la poussière et de la saleté, ou remplacez-le au besoin.
- Videz le récipient de collecte; nettoyez-le si nécessaire.
- Remplacez le filtre utilisé pour l'aspiration à sec.
- Avant de remettre le couvercle, assurez-vous que toutes les pièces sont complètement sèches.
- Remettez le couvercle et verrouillez-le bien.

Les déchets liquides :

- Retirer le bloc-piles.
- Déverrouillez les loquets de verrouillage et retirez le couvercle.
- Videz le récipient de collecte; nettoyez-le si nécessaire. Avant de remettre le couvercle, assurez-vous que toutes les pièces sont complètement sèches.
- Remettez le couvercle et verrouillez-le bien.



ATTENTION :

Ne laissez pas de déchets liquides dans le récipient de collecte pendant de longues périodes de temps. L'humidité peut se développer dans le compartiment du moteur et raccourcir la durée de vie utile du moteur.



ATTENTION :

Ne tournez pas l'appareil à l'envers, car les liquides pourraient pénétrer dans le bloc moteur.

NETTOYER/REEMPLACER LE FILTRE POUR L'ASPIRATION À SEC

Voir la figure 10, page 10.

- Retirer le bloc-piles.
- Déverrouillez les deux loquets de verrouillage et retirez le couvercle.

Pour nettoyer :

- Retirer le filtre pour l'aspiration à sec en le tournant dans le sens antihoraire pour déverrouiller, et retirer le filtre du boîtier.
- Réinstaller le filtre en alignant le loquet de verrouillage en saillie sur le filtre avec la fente du boîtier sous le couvercle. Tourner le filtre dans le sens horaire pour le verrouiller en place.

NOTE: Assurez-vous que le filtre est bien en place pour l'aspiration à sec. Enlevez le filtre pour l'aspiration humide.

Pour remplacer :

- Retirer le filtre pour l'aspiration à sec en le tournant dans le sens antihoraire pour déverrouiller, et retirer le filtre du boîtier.
- Remplacer avec un nouveau filtre en alignant le loquet de verrouillage en saillie sur le filtre avec la fente du boîtier sous le couvercle. Tourner le filtre dans le sens horaire pour le verrouiller en place.

NOTE: Assurez-vous que le filtre est bien en place pour l'aspiration à sec. Enlevez le filtre pour l'aspiration humide.

Si la pièce doit être remplacée, demander la pièce recommandée, réf. 312711001 (Numéro de modèle A32VC05).

RANGEMENT

- Nettoyez l'aspirateur sec/humide de tous les corps étrangers.
- Nettoyez l'extérieur du récipient de collecte avec de l'eau tiède et un savon doux.
- Videz et nettoyez le récipient de collecte, le tuyau flexible, les tubes, et les accessoires avec de l'eau tiède et un savon doux, et laissez sécher complètement avant le rangement.
- Rangez le tuyau flexible et les accessoires à l'intérieur du récipient de collecte ou sur le couvercle.
- Le récipient de collecte doit être désinfecté au besoin et avant un rangement prolongé.
- Rangez l'aspirateur à l'intérieur dans un endroit inaccessible aux enfants. Garder éloigné des agents corrosifs comme les produits chimiques de jardinage et les sels fondants.

NOTE : ILLUSTRATIONS COMMENCANT SUR 8 DE PAGE APRÈS LE SECTION ESPAGNOL.

IMPORTANTES INSTRUCCIONES DE SEGURIDAD

GUARDE ESTAS INSTRUCCIONES

Al utilizar un aparato eléctrico, deben seguirse ciertas precauciones básicas, como las siguientes:

¡ADVERTENCIA!

LEA Y COMPRENDA TODAS LAS INSTRUCCIONES. El incumplimiento de las instrucciones señaladas abajo puede causar descargas eléctricas, incendios y lesiones serias.

LEA TODAS LAS INSTRUCCIONES ANTES DE USAR ESTE APARATO

ADVERTENCIA:

Para reducir el riesgo de una descarga eléctrica **NO** exponga la unidad a la lluvia. Guárdela en el interior.




- **NUNCA** aspire materiales con brasas calientes, colillas de cigarrillos, fósforos, cenizas candentes o humeantes, etc.
- **NO** utilice la unidad para recoger líquidos inflamables o combustibles, como la gasolina, ni la utilice en lugares donde pueda haber presentes dichos líquidos.
- **No** use para aspirar en seco sin el filtro colocado.
- **Tenga cuidado extremo al utilizar la unidad en escaleras.**
- **No** incinere este aparato, incluso si está dañado seriamente. Pueden estallar y quedar envueltas en fuego las baterías.
- **El producto no tiene que estar enchufada en una toma de corriente, para estar siempre en condiciones de funcionamiento.** Esté consciente de los posibles peligros cuando esté usando el producto o cuando esté cambiando los accesorios de la misma.
- **Cuando no esté usándose la aspiradora y antes de dársele servicio debe retirarse la batería.**
- **Cargue las baterías solamente con el cargador indicado.** Para utilizar con paquetes de baterías de iones de litio de 18 V, consulte el folleto de la herramienta/aparato/paquete de baterías/cargador complementario 987000-432. No utilice el cargador en el exterior.
- **Sólo cargue el paquete de baterías con el cargador especificado por el fabricante.** Un cargador adecuado para un tipo paquete de baterías puede significar un riesgo de incendio si se emplea con un paquete de baterías diferente.
- **Utilice las herramientas eléctricas sólo con los paquetes de baterías específicamente indicados.** El empleo de paquetes de baterías diferentes puede presentar un riesgo de incendio.
- **Cuando no esté usando el paquete de baterías, manténgala alejado de todo objeto metálico como: clips, monedas, llaves, clavos, tornillos y otros objetos metálicos pequeños que puedan establecer conexión entre ambas terminales.** Establecer una conexión directa entre las dos terminales puede causar chispas, quemaduras o incendios.
- **Siempre retire el paquete de baterías de la herramienta cuando esté ensamblando partes, realizando ajustes, limpiando o cuando ésta no esté en uso.** Si retira el paquete de baterías, evitará arranques accidentales que podrían provocar lesiones graves.
- **Vístase de manera apropiada. No use ropas holgadas ni joyas. Recójase el cabello si está largo. Mantenga el cabello, la ropa holgada, los dedos y todas las partes del cuerpo o la ropa alejados de las aberturas y las piezas móviles.** Las ropas holgadas, las joyas y el cabello largo pueden engancharse en las piezas internas móviles.
- **No estire el cuerpo para alcanzar mayor distancia. Mantenga una postura firme y buen equilibrio en todo momento.** La postura firme y el buen equilibrio permiten un mejor control de la aspiradora de mano en situaciones inesperadas. No utilice la unidad al estar en una escalera o en un soporte inestable.
- **Use equipo de seguridad.** Se debe usar mascarilla contra el polvo en las condiciones que así lo requieran.
- **No** permita que ningún niño utilice o juegue con la producto como si fuera un juguete. Debe tenerse extrema precaución cuando se use al lado de o cerca de niños.
- **Utilice esta producto SOLAMENTE para los fines especificados en este manual.** Solamente utilice accesorios recomendados en este manual.
- **Si el producto no está funcionando adecuadamente,** se dejó caer, se dañó, se dejó a la intemperie, o se dejó caer dentro del agua, regrésela al centro de servicio más cercano.
- **No** manipule la clavija del cargador o el producto con las manos mojadas.
- **No** ponga ningún objeto en las aberturas de ventilación. No use la unidad con ninguna abertura bloqueada. Mantenga las aberturas libres de polvo, pelusa, pelo y cualquier cosa que pueda reducir el flujo de aire.

IMPORTANTES INSTRUCCIONES DE SEGURIDAD








- **No utilice un paquete de baterías o una herramienta que esté dañado o modificado.** Las baterías dañadas o modificadas pueden tener un funcionamiento impredecible que provoque incendios, explosiones o riesgo de lesiones.
- **No modifique o intente reparar un herramienta o paquete de baterías que esté dañado.**
- **Para reducir el riesgo de lesiones personales graves, nunca use un producto inalámbrico en presencia de una llama abierta o a una temperatura superior a los 129 °C (265 °F).** La explosión de una pila puede lanzar fragmentos y compuestos químicos. Si ha quedado expuesto a la explosión de una batería, lávese de inmediato con agua.
- **Evite un arranque accidental de la unidad. Asegúrese de que el interruptor esté en la posición de apagado antes de conectar la herramienta.** Portar las herramientas eléctricas con el dedo en el interruptor, o conectarlas con el interruptor puesto, propicia accidentes.
- **Si se maltratan las baterías, puede derramarse líquido de las mismas; evite todo contacto con éste. En caso de contacto, lávese con agua. Si el líquido llega a tocar los ojos, además busque atención médica.** El líquido de las baterías puede causar irritación y quemaduras.
- **Protéjase los pulmones. Use una careta o mascarilla contra el polvo si la operación genera mucho polvo.** Con el cumplimiento de esta regla se reduce el riesgo de lesiones corporales serias.
- **Revise para ver si hay desalineación o atoramiento de piezas móviles, ruptura de piezas o toda otra condición que pueda afectar el funcionamiento de el producto. Si se daña la herramienta, llévela a servicio antes de volver a utilizarla.** Numerosos accidentes son causados por herramientas mal cuidadas.
- **Sólo utilice accesorios recomendados por el fabricante para cada modelo en particular.** Accesorios que pueden ser adecuados para una producto pueden significar un riesgo de lesiones si se emplean con otra producto.
- **No permita que gasolina, aceites, productos a base de petróleo, etc., lleguen a tocar las piezas de plástico.** Dichos productos contienen compuestos químicos que pueden dañar, debilitar o destruir el plástico.
- **Verifique que un técnico de reparación calificado haga el mantenimiento usando solo repuestos idénticos.** De esta manera se mantiene la seguridad del product.
- **Esta producto está diseñada para uso casero solamente.**
- **Este producto no contiene piezas que puedan repararse.**
- **Guarde estas instrucciones. Consúltelas con frecuencia y empléelas para instruir a otras personas que puedan utilizar esta aspiradora de mano. Si presta a alguien esta aspiradora de mano, facilítele también las instrucciones.**

SÍMBOLOS

Las siguientes palabras de señalización y sus significados tienen el objeto de explicar los niveles de riesgo relacionados con este producto.

SÍMBOLO	SEÑAL	SIGNIFICADO
	PELIGRO:	Indica una situación peligrosa, la cual, si no se evita, causará la muerte o lesiones serias.
	ADVERTENCIA:	Indica una situación peligrosa, la cual, si no se evita, podría causar la muerte o lesiones serias.
	PRECAUCIÓN:	Indica una situación peligrosa, la cual, si no se evita, podría causar lesiones menores o leves.
	AVISO:	(Sin el símbolo de alerta de seguridad) Indica la información que se considera importante, pero no relacionada con lesiones potenciales (por ej. en relación a daños a la propiedad).

Es posible que se empleen en este producto algunos de los siguientes símbolos. Le suplicamos estudiarlos y aprender su significado. Una correcta interpretación de estos símbolos le permitirá utilizar mejor y de manera más segura el producto.

SÍMBOLO	NOMBRE	DENOMINACIÓN/EXPLICACIÓN
	Alerta de seguridad	Indica un peligro posible de lesiones personales.
	Lea el manual del operador	Para reducir el riesgo de lesiones, el usuario debe leer y comprender el manual del operador antes de usar este producto.
	Protección ocular	Siempre póngase protección ocular con protección lateral con la marca de cumplimiento de la norma ANSI Z87.1.
	Alerta de condiciones húmedas	No exponga la unidad a la lluvia ni la use en lugares húmedos.
	Cabello largo	Riesgo de que el cabello largo quede atrapado en la entrada de aire.
	Contenedor de recolección	No haga funcionar si la tapa del contenedor de recolección no está bien cerrada.
	Símbolo de reciclado	Este producto utiliza baterías de iones de litio (Li-ion). Es posible que algunas leyes municipales, estatales o federales prohíban desechar las baterías en la basura normal. Consulte a las autoridades reguladoras de desechos para obtener información en relación con las alternativas de reciclado y desecho disponibles.
V	Volts	Voltaje
min	Minutos	Tiempo
==	Corriente continua	Tipo o característica de corriente
n ₀	Velocidad en vacío	Velocidad de rotación, en vacío
.../min	Por minuto	Revoluciones, carreras, velocidad superficial, órbitas, etc., por minuto

ARMADO

ADVERTENCIA:

No use este producto si no está totalmente ensamblado o si alguna pieza falta o está dañada. El uso de un producto que no está adecuadamente y completamente ensamblado o posee partes dañadas o faltantes puede resultar en lesiones personales graves.

ADVERTENCIA:

No intente modificar este producto ni crear aditamentos o accesorios que no estén recomendados para usar con este producto. Dichas alteraciones o modificaciones constituyen un uso indebido y podrían provocar una situación de riesgo que cause posibles lesiones personales graves.

Si hay piezas dañadas o faltantes, le suplicamos llamar al 1-800-525-2579, donde le brindaremos asistencia. En México, llame al 01-800-843-1111.

FUNCIONAMIENTO

ADVERTENCIA:

No permita que su familiarización con las herramientas lo vuelva descuidado. Tenga presente que un descuido de un instante es suficiente para causar una lesión grave.

ADVERTENCIA:

Siempre retire el paquete de baterías de la herramienta cuando esté ensamblando partes, realizando ajustes, limpiando o cuando ésta no esté en uso. Retirando el paquete de baterías se evita arrancar accidentalmente la unidad, lo cual puede causar lesiones serias.

ADVERTENCIA:

Siempre póngase protección ocular con protección lateral con la marca de cumplimiento de la norma ANSI Z87.1. No seguir esta advertencia podría provocar que salgan objetos despedidos hacia sus ojos y otras lesiones graves.

ADVERTENCIA:

No utilice ningún aditamento o accesorio no recomendado por el fabricante de esta producto. El empleo de aditamentos o accesorios no recomendados podría causar lesiones serias.

APLICACIONES

Este producto puede emplearse para los fines siguientes:

- Limpieza liviana con aspiradora de superficies húmedas o secas

INSTALACIÓN/DESMONTAR DEL MANGUERA FLEXIBLE

Vea la figura 1, página 8.

- Alinee la orejeta realizada de aseguramiento del extremo de la manguera flexible con la ranura de la abertura para aspiración. Empuje hacia dentro y gire en sentido antihorario para realizar la conexión.

- Inserte el extremo estrecho de la manguera flexible en el accesorio.
- Para desmontar las partes, quite el accesorio de la manguera flexible.
- Gire el otro extremo de la manguera flexible en sentido horario para desbloquearlo y tire hacia fuera de la abertura para aspiración.

INSTALACIÓN/DESMONTAR DEL PAQUETE DE BATERÍAS

Vea la figura 2, página 8.

- Coloque el interruptor de ENCENDIDO/APAGADO en la posición de APAGADO.
- Coloque el paquete de baterías en el producto como se muestra.
- Asegúrese de que los pestillos situados a ambos lados del paquete de baterías entren completamente en su lugar con un chasquido y de que el paquete quede bien asegurado en la herramienta antes de comenzar a utilizarla.
- Oprima los pestillos para extraer el paquete de baterías.

Para obtener instrucciones específicas de carga, lea el manual del operador que se incluye con el cargador y la batería.

ARRANQUE/APAGADO DE LA ASPIRADORA EN SECO O HÚMEDO

Vea la figura 3, página 8.

ADVERTENCIA:

Para reducir el riesgo de incendio o explosión, no deje el producto funcionando sin atención. Detenga de inmediato la unidad si presenta signos de funcionamiento anormal, como pérdida de succión, líquido o desperdicios en el escape o si escucha ruidos anormales en el motor.

- **Para arrancar la aspiradora en seco o húmedo:** Coloque el interruptor de eNCENDIDO/APAGADO en la posición de ENCENDIDO.
- **Para apagar la aspiradora en seco o húmedo:** Coloque el interruptor de ENCENDIDO/APAGADO en la posición de APAGADO.

FUNCIONAMIENTO

INSTALACIÓN/EXTRACCIÓN DE ACCESORIOS

Vea la figura 4, página 9.

Puede aspirar solo con la manguera flexible o la manguera con accesorios para aspirado.

- Apague la aspiradora en seco o húmedo.
- Inserte el accesorio en el extremo delantero de la manguera flexible, asegurándose de que quede firmemente en su lugar.
- Para extraer, sostenga el accesorio y tire hacia afuera para quitarlo de la manguera.

ASPIRADO DE ELEMENTOS SECOS

Vea la figura 5, página 9.

Aspire solo elementos lo suficientemente pequeños como para que pasen por la manguera o el accesorio. Al aspirar, asegúrese de que el filtro para uso con elementos secos esté colocado. El desempeño de la aspiradora en seco o húmedo se verá disminuido cuando el contenedor de recolección esté lleno. Al vaciar el contenedor de recolección, compruebe si el filtro de uso para elementos secos debe reemplazarse.

NOTA: La aspiradora en seco o húmedo se envía lista para aspirar elementos secos. Para equipar la aspiradora en seco o húmedo para uso con elementos húmedos, retire el filtro de uso para aspirar elementos secos.

PRECAUCIÓN:

En condiciones de humedad relativa baja, el aspirado de polvo fino con la aspiradora en seco o húmedo puede causar una carga estática, que resultará en una descarga estática. Para reducir la descarga estática al usar la aspiradora, agregue humedad al aire con un humidificador

ASPIRADO DE ELEMENTOS HÚMEDOS

Vea la figura 6, página 9.

Cuando aspire elementos húmedos, recuerde que su aspiradora en seco o húmedo está equipada con un enchufe de seguridad dentro de la carcasa de la unidad del filtro. Este enchufe de seguridad está diseñado para desactivar la succión cuando el contenedor de recolección llegue a su capacidad máxima. Cuando el contenedor de recolección esté lleno, APAGUE la aspiradora en seco o húmedo y vacíe el contenedor de recolección tal como se muestra en la sección *Mantenimiento*.

- Abra las fijaciones de bloqueo y retire la tapa
- Quite el filtro de uso en seco girándolo en sentido antihorario para desbloquearlo y empuje hacia fuera para quitarlo de la carcasa del filtro.
- Vuelva a colocar la tapa y cierre firmemente.

WARNING:

Al aspirar líquido, asegúrese de que el tanque de la aspiradora no esté sumergido ni se moje con líquido, ya que podría provocar una descarga, la falla de la aspiradora o lesiones personales.

CÓMO USAR LA ASPIRADORA EN SECO/ HÚMEDO COMO SOPLADOR

Vea la figura 7, página 9.

En todo momento, la aspiradora en seco/húmedo sopla aire por el puerto para soplador como parte del sistema de escape. Sin embargo, puede usar la aspiradora en seco/húmedo como soplador conectando la boquilla de servicio al puerto de soplador.

- Apague la aspiradora en seco/húmedo y quite el paquete de baterías.
- Quite la manguera del tanque.
- Quite la boquilla de servicio de la manguera si está conectada.
- Empuje el extremo más grande de la boquilla de servicio para insertarla en la abertura del puerto de escape. Conecte la manguera flexible en el extremo estrecho de la boquilla de servicio para usar como soplador.
- Para quitar la boquilla de servicio, tire de ella en la abertura del puerto de escape.

Para evitar que la suciedad se esparza, sople alrededor de los extremos del montón de residuos. Nunca sople directamente en el centro del montón.

Use rastrillos y escobas para aflojar la suciedad antes de soplar. En condiciones donde haya mucho polvo, humedezca las superficies ligeramente cuando haya agua disponible.

Tenga cuidado con niños, mascotas, ventanas abiertas y vehículos recién lavados, y retire los desechos de manera segura mediante soplado.

Después de usar sopladores u otro equipo, ¡LIMPIE! Deseche los residuos de manera apropiada.

MANTENIMIENTO

ADVERTENCIA:

Al dar servicio a la unidad, sólo utilice piezas de repuesto idénticas. El empleo de piezas diferentes podría causar un peligro o dañar el producto.

PRECAUCIÓN:

No invierta la unidad, ya que puede ingresar líquido en la unidad del motor.

MANTENIMIENTO GENERAL

Evite el empleo de solventes al limpiar piezas de plástico. La mayoría de los plásticos son susceptibles a diferentes tipos de solventes comerciales y pueden resultar dañados. Utilice paños limpios para eliminar la suciedad, el polvo, el aceite, la grasa, etc.

ADVERTENCIA:

No permita en ningún momento que fluidos para frenos, gasolina, productos a base de petróleo, aceites penetrantes, etc., lleguen a tocar las piezas de plástico. Las sustancias químicas pueden dañar, debilitar o destruir el plástico, lo cual a su vez puede producir lesiones corporales serias.

CÓMO RETIRAR RESIDUOS DEL CONTENEDOR DE RECOLECCIÓN

Vea las figuras 8 y 9, página 9 y 10.

El contenedor de recolección debe inspeccionarse, vaciarse y limpiarse periódicamente para obtener una máxima eficiencia.

Residuos secos:

- Quite la batería.
- Abra las fijaciones de bloqueo y retire la tapa.
- Retire el filtro de uso para elementos secos.
- Inspeccione el filtro, sacuda ligeramente para remover el polvo o suciedad del filtro o reemplácelo según sea necesario.
- Vacíe el contenedor de recolección; lávelo de ser necesario.
- Vuelva a colocar el filtro de uso en seco.
- Antes de volver a colocar la tapa, asegúrese de que todas las piezas estén completamente secas.
- Vuelva a colocar la tapa y cierre firmemente.

Residuos líquidos:

- Quite la batería.
- Abra las fijaciones de bloqueo y retire la tapa.
- Vacíe el contenedor de recolección; lávelo de ser necesario. Antes de volver a colocar la tapa, asegúrese de que todas las piezas estén completamente secas.
- Vuelva a colocar la tapa y cierre firmemente.

PRECAUCIÓN:

No permita que el líquido recogido permanezca en el contenedor de recolección por un período de tiempo prolongado. Puede formarse humedad en el compartimento del motor y reducir su vida útil.

CÓMO LIMPIAR/REEMPLAZAR EL FILTRO DE USO EN SECO

See Figure 10, página 10.

- Quite la batería.
- Abra las dos fijaciones de bloqueo y retire la tapa.

Para limpiar:

- Quite el filtro de uso en seco girándolo en sentido antihorario para desbloquearlo y empuje hacia fuera para quitarlo de la carcasa del filtro.
- Vuelva a instalar el filtro alineando la orejeta realizada de aseguramiento del filtro con la ranura de la carcasa del filtro de la parte inferior de la tapa. Gire el filtro en sentido horario para bloquearlo en su lugar.

NOTA: Asegúrese de que el filtro esté correctamente asentado para aspirado de elementos secos. Retire el filtro para aspirado de elementos húmedos.

Para reemplazar:

- Quite el filtro de uso en seco girándolo en sentido antihorario para desbloquearlo y empuje hacia fuera para quitarlo de la carcasa del filtro.
- Coloque un nuevo filtro alineando la orejeta realizada de aseguramiento del filtro con la ranura de la carcasa del filtro de la parte inferior de la tapa. Gire el filtro en sentido horario para bloquearlo en su lugar.

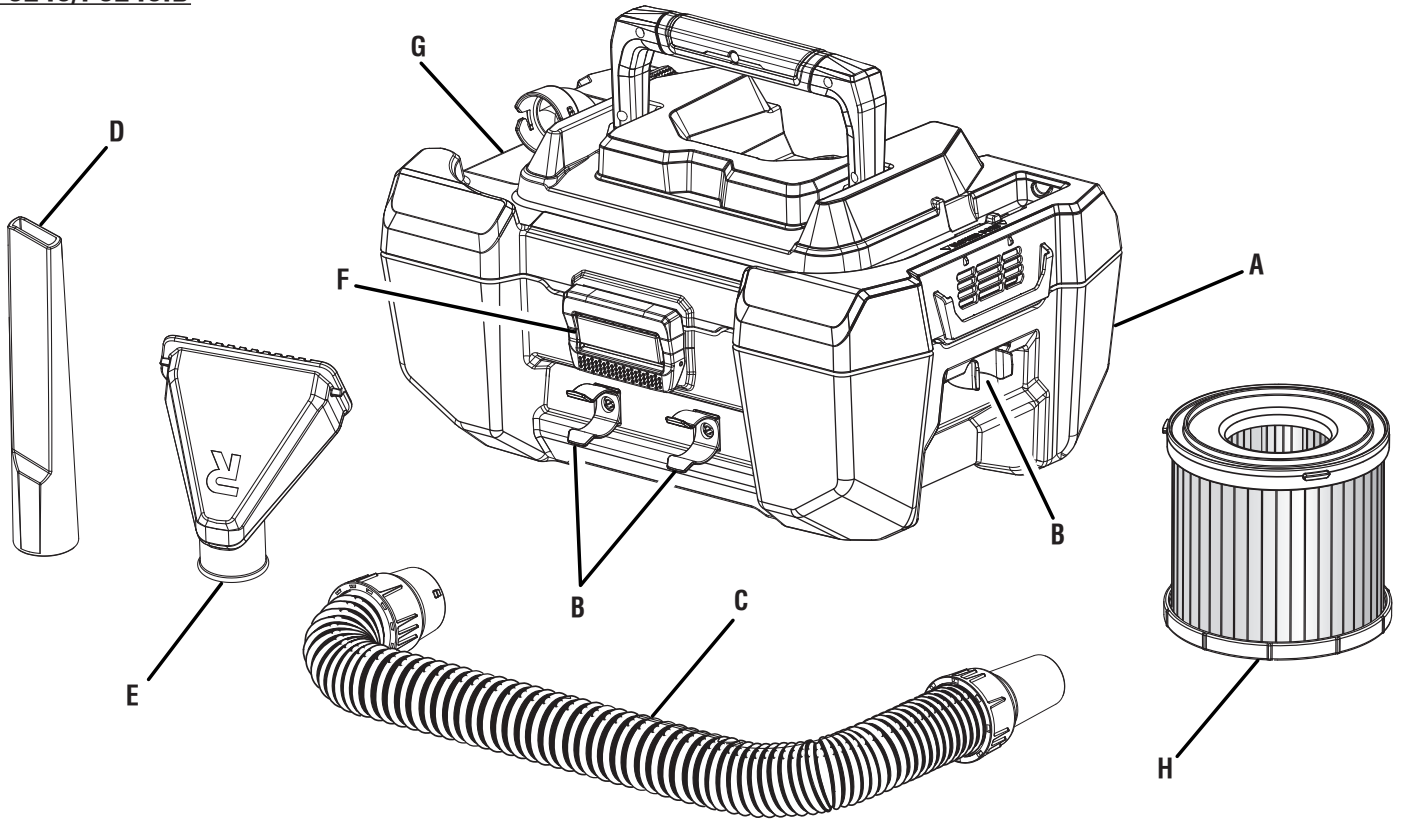
NOTA: Asegúrese de que el filtro esté correctamente asentado para aspirado de elementos secos. Retire el filtro para aspirado de elementos húmedos.

Al adquirir un pieza de repuesto, solicite el recomendado, el número de pieza 312711001 (Número de modelo A32VC05).

ALMACENAMIENTO

- Limpie todo el material extraño de la aspiradora en seco o húmedo.
- Limpie el exterior del contenedor de recolección con agua caliente y jabón suave.
- Vacíe y limpie el contenedor de recolección, la manguera flexible, las varillas y los accesorios con agua caliente y jabón suave, y deje secar por completo antes de almacenarlos.
- Almacene la manguera flexible y los accesorios dentro del contenedor de recolección o sobre la tapa.
- El contenedor de recolección debe desinfectarse según sea necesario antes de su almacenamiento prolongado.
- Almacene bajo techo, en un lugar al cual no puedan acceder niños. Evite que la unidad entre en contacto con agentes corrosivos como productos químicos para jardinería y sales para derretir el hielo.

P3240/P3240ID

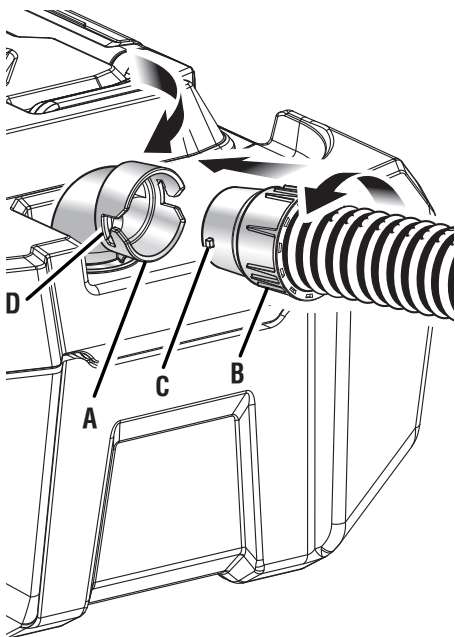


A - Collection container (récipient de collecte, contenedor de recolección)
 B - Accessory storage clips (pinces de rangement d'accessoires, sujetadors des almacenamiento de accesorios)

C - Flexible hose (tuyau flexible, manguera flexible)
 D - Crevice tool (suceur plat, boquilla rinconera)
 E - Utility nozzle (suceur utilitaire, boquilla de servicio)
 F - Locking latches (loquets de verrouillage, fijaciones de bloqueo)

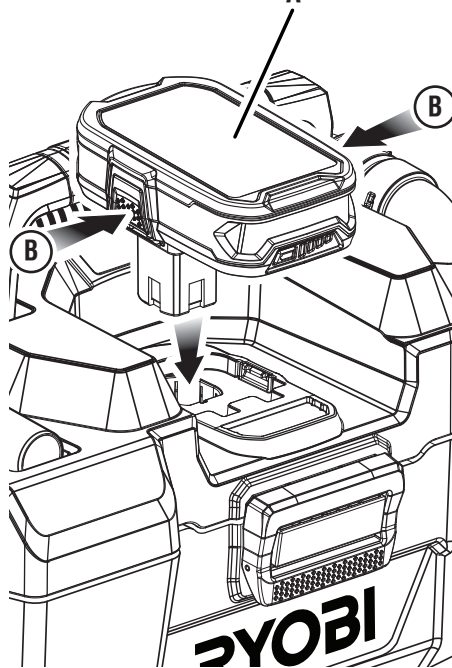
G - Lid (couvercle, tapa)
 H - Dry use filter (filtre pour l'aspiration à sec, filtro de uso en seco)

Fig. 1



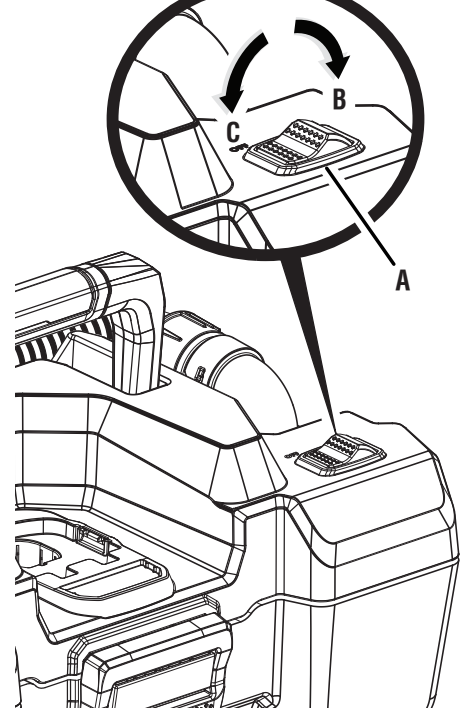
A - Vacuum port (orifice d'aspiration, aberturas para aspiración)
 B - Flexible hose (tuyau flexible, manguera flexible)
 C - Raised locking tab (languette de verrouillage en saillie, orejeta realizada de aseguramiento)
 D - Slot (fente, ranura)

Fig. 2



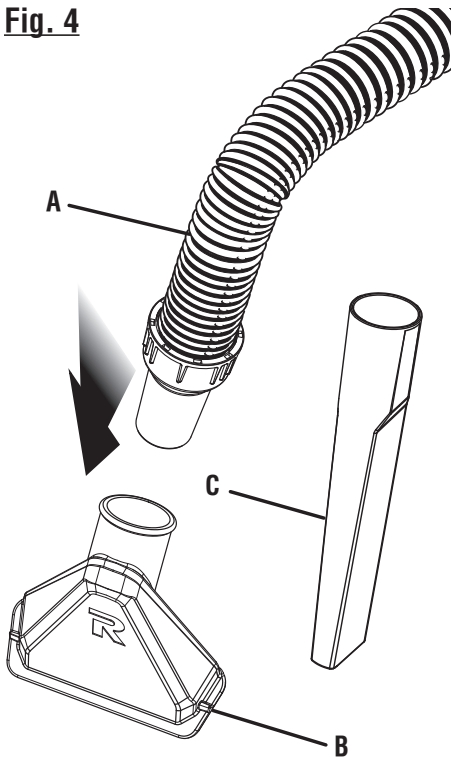
A - Battery pack (bloc-pile, paquete de batería)
 B - Depress latches to release battery pack (appuyer sur les loquets pour libérer le bloc-pile, para soltar el paquete de baterías oprima los pestillos)

Fig. 3



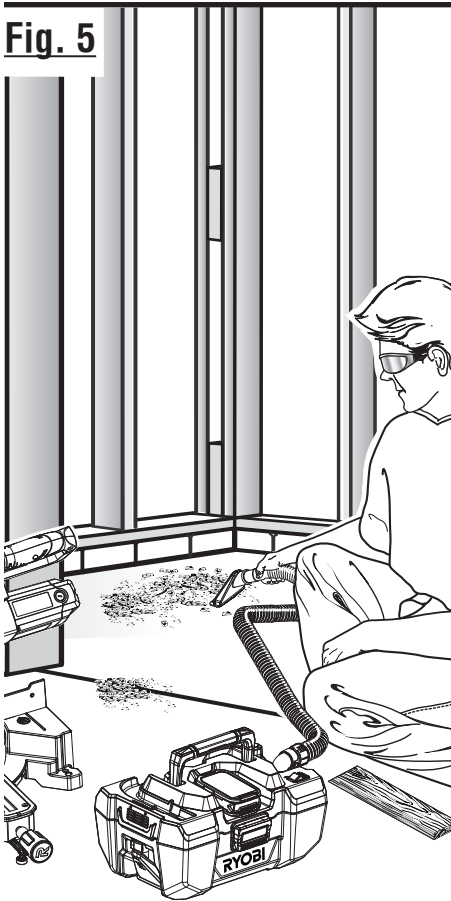
A - ON/OFF switch (commutateur MARCHÉ/ARRÊT, interruptor de ENCENDIDO/APAGADO)
 B - On (marche, encendido)
 C - Off (arrêt, apagado)

Fig. 4



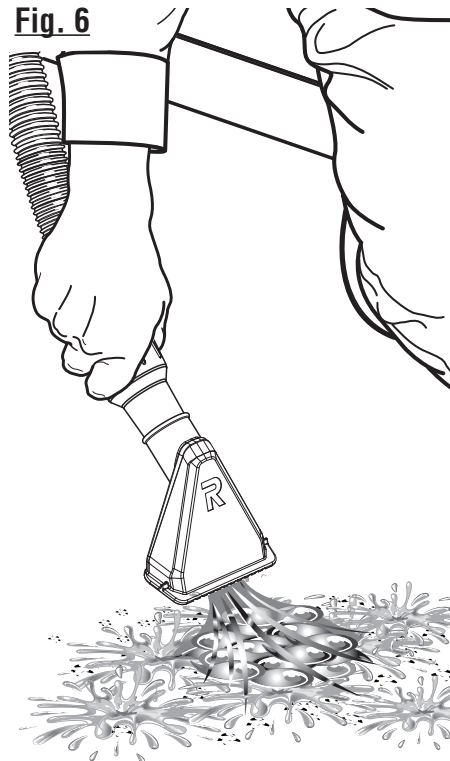
- A - Flexible hose (tuyau flexible, manguera flexible)
- B - Utility nozzle (suceur utilitaire, boquilla de servicio)
- C - Crevice tool (suceur plat, boquilla rinconera)

Fig. 5



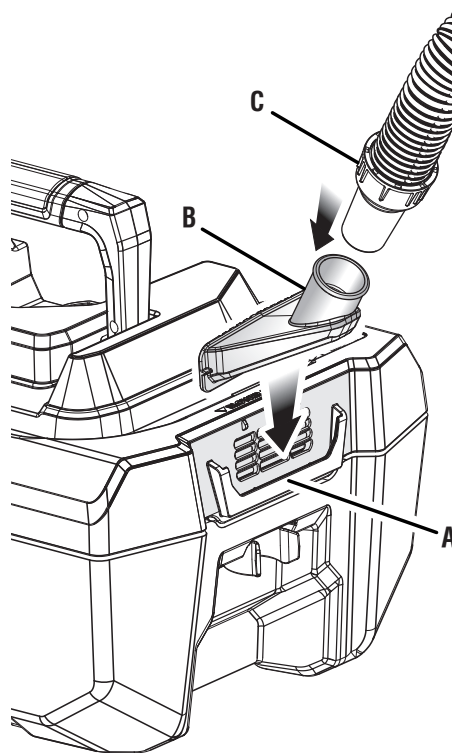
**DRY VACUUMING
ASPIRATION À SEC
ASPIRADO EN SECO**

Fig. 6



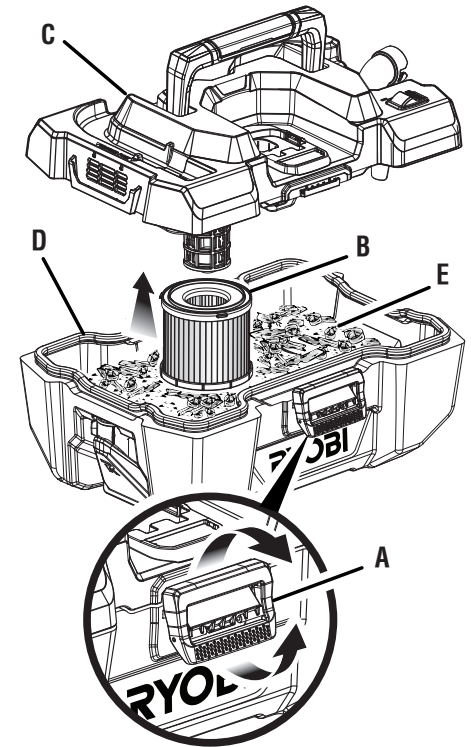
**WET VACUUMING
ASPIRATION HUMIDE
ASPIRADO EN HÚMEDO**

Fig. 7



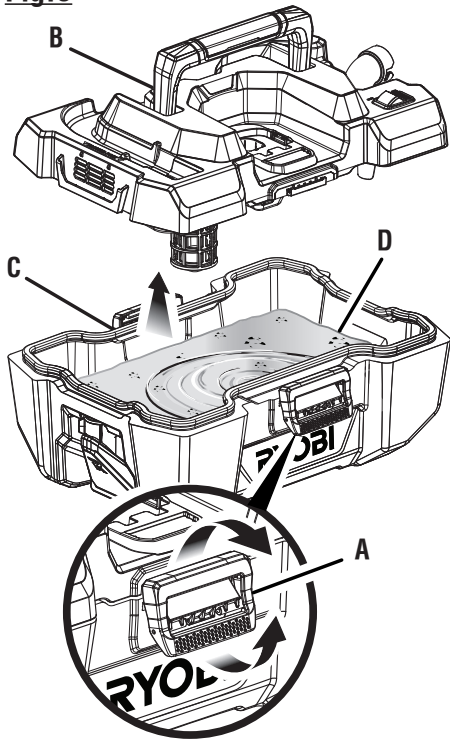
- A - Exhaust port (orifice d'évacuation, orificio de escape)
- B - Utility nozzle (suceur utilitaire, boquilla de servicio)
- C - Flexible hose (tuyau flexible, manguera flexible)

Fig. 8



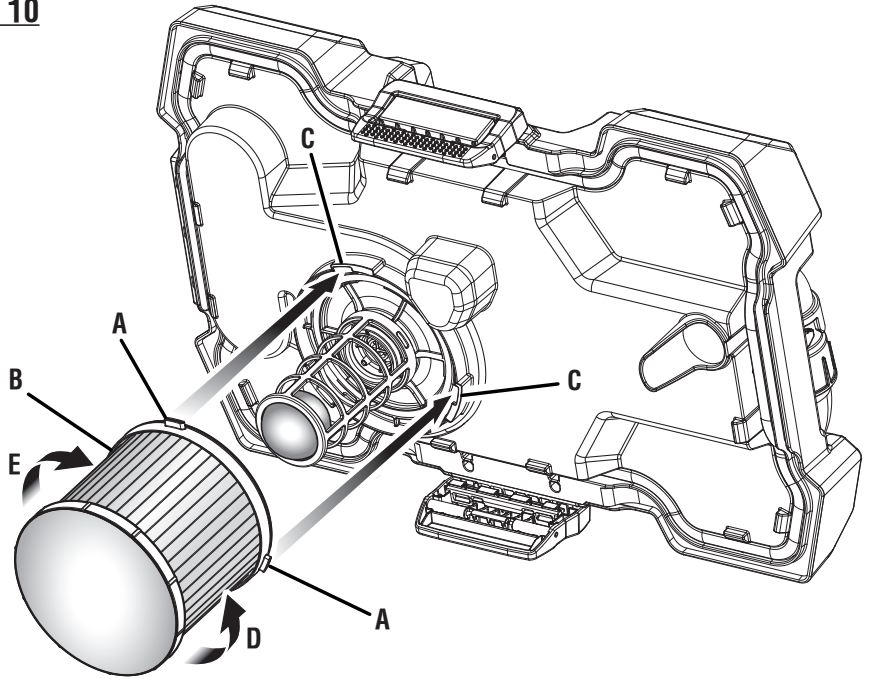
- A - Locking latches (loquets de verrouillage, fijaciones de bloqueo)
- B - Dry use filter (filtre pour l'aspiration à sec, filtro de uso en seco)
- C - Lid (couvercle, tapa)
- D - Collection container (récipient de collecte, contenedor de recolección)
- E - Dry waste (déchet sec, residuos secos)

Fig. 9



- A - Locking latches (loquets de verrouillage, fijaciones de bloqueo)
- B - Lid (couvercle, tapa)
- C - Collection container (récipient de collecte, contenedor de recolección)
- D - Wet waste (déchet humide, residuos húmedos)

Fig. 10



- A - Raised locking tab (languette de verrouillage en saillie, orejeta realzada de aseguramiento)
- B - Dry use filter (filtre pour l'aspiration à sec, filtro de uso en seco)
- C - Slot (encoche, ranura)
- D - To remove (pour enlever, para quitar)
- E - To install (pour installer, para instalar)



OPERATOR'S MANUAL/18V WET/DRY VAC
MANUEL D'UTILISATION/ASPIRATEUR SEC/HUMIDE DE 18 V
MANUAL DEL OPERADOR/ASPIRADORA EN HÚMEDO/SECO DE 18 V
P3240/P3240ID

To request service, purchase replacement parts,
locate an Authorized Service Center and obtain Customer or Technical Support:

Visit **www.ryobitools.com** or call **1-800-525-2579**

If any parts or accessories are damaged or missing,
do not return this product to the store. Call **1-800-525-2579** for immediate service.

Please obtain your model and serial number from the product data plate.
This product is covered under a 3-year limited Warranty. Proof of purchase is required.

MODEL NUMBER _____ SERIAL NUMBER _____

RYOBI is a registered trademark of Ryobi Limited and is used pursuant to a license granted by Ryobi Limited.

Pour faire une demande de réparations ou obtenir des pièces de rechange, trouver un
Centre de réparations agréé pour obtenir un soutien technique ou le Service à la clientèle :

Visiter **www.ryobitools.com** ou en téléphonant au **1-800-525-2579**

Si des pièces ou accessoires sont manquantes ou endommagées, ne pas retourner
ce produit au magasin. Appeler immédiatement au **1-800-525-2579** pour obtenir de l'aide.

Inscrire les numéros de modèle et de série inscrits sur la plaque d'identification du produit.
Ce produit est couvert par une garantie limitée de trois (3) ans. Une preuve d'achat est exigée.

NUMÉRO DE MODÈLE _____ NUMÉRO DE SÉRIE _____

RYOBI est une marque déposée de Ryobi Limited et est utilisée en vertu d'une licence accordée par Ryobi Limited.

Para obtener servicio, comprar piezas de repuesto, localizar un centro de servicio autorizado
y obtener Servicio o Asistencia Técnica al Consumidor:

Visite **www.ryobitools.com** (en la EE.UU.) o **www.ryobitools.mx** (en México)
o llame al **1-800-525-2579** (en la EE.UU.) o **01-800-843-1111** (en México).

Si hay alguna pieza o accesorios dañada o faltante, no devuelva este producto a la tienda.
Llame al **1-800-525-2579** (en la EE.UU.) o **01-800-843-1111** (en México) para servicio técnico inmediato.

Obtenga su modelo y número de serie de la placa de datos del producto.
Este producto está cubierto con una garantía limitada de 3 años. Se solicita prueba de la compra.

NÚMERO DE MODELO _____ NÚMERO DE SERIE _____

RYOBI es una marca registrada de Ryobi Limited y se utiliza conforme a una licencia otorgada por Ryobi Limited.

ONE WORLD TECHNOLOGIES, INC.

P.O. Box 1288, Anderson, SC 29622 • Phone 1-800-525-2579
États-Unis, Téléphone 1-800-525-2579 • USA, Teléfono 1-800-525-2579

www.ryobitools.com