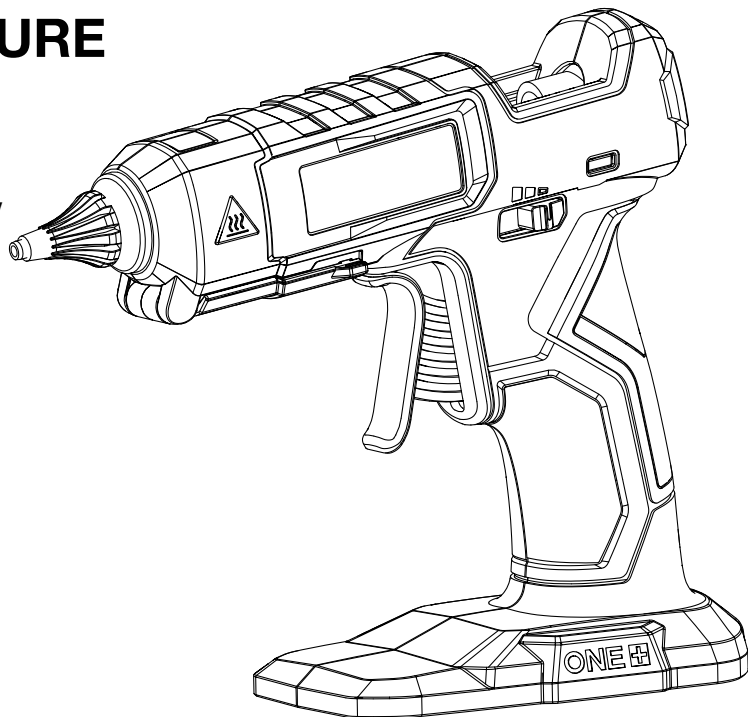




**OPERATOR'S MANUAL**  
**MANUEL D'UTILISATION**  
**MANUAL DEL OPERADOR**  
**18 VOLT DUAL TEMPERATURE**  
**GLUE GUN**  
**PISTOLET À COLLE CHAUDE À**  
**DOUBLE TEMPÉRATURE DE 18 V**  
**PISTOLA DE PEGAMENTO DE**  
**DOBLE TEMPERATURA DE 18 V**  
**P307**



**TABLE OF CONTENTS**

\*\*\*\*\*

- Important Safety Instructions .....3
- Symbols.....4
- Assembly.....5
- Operation.....5-7
- Maintenance.....7
- Illustrations .....8-9
- Parts Ordering and Service  
.....Back page

**TABLE DES MATIÈRES**

\*\*\*\*\*

- Instructions importantes concernant  
la sécurité.....3
- Symboles.....4
- Assemblage.....5
- Utilisation .....5-7
- Entretien .....7
- Illustrations .....8-9
- Commande de pièces et dépannage  
..... Page arrière

**ÍNDICE DE CONTENIDO**

\*\*\*\*\*

- Importantes instrucciones de seguridad.....3
- Símbolos.....4
- Armado .....5
- Funcionamiento.....5-7
- Mantenimiento.....7
- Ilustraciones.....8-9
- Pedidos de piezas y servicio  
..... Pág. posterior

**⚠ WARNING:** To reduce the risk of injury, the user must read and understand the operator's manual before using this product.

**⚠ AVERTISSEMENT :** Pour réduire les risques de blessures, l'utilisateur doit lire et veiller à bien comprendre le manuel d'utilisation avant d'employer ce produit.

**⚠ ADVERTENCIA:** Para reducir el riesgo de lesiones, el usuario debe leer y comprender el manual del operador antes de usar este producto.

**SAVE THIS MANUAL FOR FUTURE REFERENCE**

**CONSERVER CE MANUEL POUR FUTURE RÉFÉRENCE**

**GUARDE ESTE MANUAL PARA FUTURAS CONSULTAS**

# IMPORTANT SAFETY INSTRUCTIONS

## **WARNING:**

**READ ALL INSTRUCTIONS.** Failure to follow the warnings and instructions may result in electric shock, fire and/or serious injury.




- **Know your glue gun. Read operator's manual carefully. Learn its applications and limitations, as well as the specific potential hazards related to this product.** Following this rule will reduce the risk of electric shock, fire, or serious injury.
- **Always wear eye protection with side shields marked to comply with ANSI Z87.1 when assembling parts, operating the product, or performing maintenance.** Following this rule will reduce the risk of serious personal injury.
- **Do not lay a hot glue gun on its side.**
- **Place a piece of paper or cardboard underneath the product to catch hot glue drips and prevent damage to the underlying surface.**
- **Do not touch the heated nozzle of the glue gun.**
- **Use the glue gun in a well-ventilated area to avoid breathing hot glue vapors.**
- **Do not point the nozzle of the glue gun at another person.**
- **Do not tilt the glue gun nozzle upwards or use the product to glue overhead items.**
- **Always allow hot glue to cool and dry completely before handling the item to which it is applied.**
- **Do not insert anything except glue sticks into this product, and insert only from the back of the glue gun.**
- **Do not place your hands or fingers near the nozzle of the glue gun when inserting a new glue stick.**
- **Never leave the glue gun unattended while it is in the on position.**
- **Do not apply more hot glue than is needed for your application.**
- **Keep work area clean and well lit.** Cluttered or dark areas invite accidents.
- **Do not operate battery products in explosive atmospheres, such as in the presence of flammable liquids, gases or dust.** Battery products create sparks which may ignite the dust or fumes.
- **Keep children and bystanders away while operating a glue gun.** Distractions can cause you to lose control.
- **Do not allow children to use the glue gun.** It is not a toy.
- **Avoid body contact with earthed or grounded surfaces such as pipes, radiators, ranges and refrigerators.** There is an increased risk of electric shock if your body is earthed or grounded.
- **Do not expose battery products to rain or wet conditions.** Water entering a battery product will increase the risk of electric shock.
- **Use battery only with charger listed. For use with 18V lithium-ion battery packs, see tool/appliance/battery pack/charger correlation supplement 987000-432.**
- **Stay alert, watch what you are doing and use common sense when operating a battery product. Do not use the product while you are tired or under the influence of drugs, alcohol or medication.** A moment of inattention while operating battery products may result in serious personal injury.
- **Prevent unintentional starting. Ensure the switch is in the off-position before connecting to power source and/or battery pack, picking up or carrying the product.** Carrying battery products with your finger on the switch or energizing battery products that have the switch on invites accidents.
- **Do not overreach. Keep proper footing and balance at all times. Do not use on a ladder or unstable support.** This enables better control of the battery product in unexpected situations.
- **Do not wear loose clothing or jewelry. Contain long hair.** Loose clothes, jewelry, or long hair can contact a heated nozzle.
- **Do not use the battery product if the switch does not turn it on and off.** Any battery product that cannot be controlled with the switch is dangerous and must be repaired.
- **Remove the battery pack from the product before making any adjustments, changing accessories, or storing the product.** Such preventive safety measures reduce the risk of starting the product accidentally.
- **Store idle products out of the reach of children and do not allow persons unfamiliar with the product or these instructions to operate the product.** Battery products are dangerous in the hands of untrained users.
- **Maintain battery products. Check for misalignment or binding of moving parts, breakage of parts and any other condition that may affect the product's operation. If damaged, have the product repaired before use.** Many accidents are caused by poorly maintained battery products.

# IMPORTANT SAFETY INSTRUCTIONS







- **Use the battery product, accessories and tool bits etc. in accordance with these instructions, taking into account the working conditions and the work to be performed.** Use of the product for operations different from those intended could result in a hazardous situation.
- **Recharge only with the charger specified by the manufacturer.** A charger that is suitable for one type of battery pack may create a risk of fire when used with another battery pack.
- **Use battery products only with specifically designated battery packs.** Use of any other battery packs may create a risk of injury and fire.
- **When battery pack is not in use, keep it away from other metal objects, like paper clips, coins, keys, nails, screws or other small metal objects, that can make a connection from one terminal to another.** Shorting the battery terminals together may cause burns or a fire.
- **Under abusive conditions, liquid may be ejected from the battery; avoid contact. If contact accidentally occurs, flush with water. If liquid contacts eyes, additionally seek medical help.** Liquid ejected from the battery may cause irritation or burns.
- **Battery products do not have to be plugged into an electrical outlet; therefore, they are always in operating condition. Be aware of possible hazards when not using your battery product or when changing accessories.** Following this rule will reduce the risk of electric shock, fire, or serious personal injury.
- **Do not place battery products or their batteries near fire or heat.** This will reduce the risk of explosion and possibly injury.
- **Do not crush, drop or damage battery pack. Do not use a battery pack or charger that has been dropped or received a sharp blow.** A damaged battery is subject to explosion. Properly dispose of a dropped or damaged battery immediately.
- **Batteries can explode in the presence of a source of ignition, such as a pilot light.** To reduce the risk of serious personal injury, never use any cordless product in the presence of open flame. An exploded battery can propel debris and chemicals. If exposed, flush with water immediately.
- **Do not charge battery product in a damp or wet location.** Following this rule will reduce the risk of electric shock.
- **For best results, your battery product should be charged in a location where the temperature is more than 50°F but less than 100°F.** To reduce the risk of serious personal injury, do not store outside or in vehicles.
- **Under extreme usage or temperature conditions, battery leakage may occur. If liquid comes in contact with your skin, wash immediately with soap and water. If liquid gets into your eyes, flush them with clean water for at least 10 minutes, then seek immediate medical attention.** Following this rule will reduce the risk of serious personal injury.
- **Have your battery product serviced by a qualified repair person using only identical replacement parts.** This will ensure that the safety of the battery product is maintained.
- **When servicing a battery product, use only identical replacement parts. Follow instructions in the Maintenance section of this manual.** Use of unauthorized parts or failure to follow Maintenance instructions may create a risk of shock or injury.
- **Save these instructions.** Refer to them frequently and use them to instruct others who may use this tool. If you loan someone this tool, loan them these instructions also.

# SYMBOLS

The following signal words and meanings are intended to explain the levels of risk associated with this product.

| SYMBOL  | SIGNAL          | MEANING  |
|---|-----------------|--|
|  | <b>DANGER:</b>  | Indicates a hazardous situation, which, if not avoided, will result in death or serious injury.  |
|  | <b>WARNING:</b> | Indicates a hazardous situation, which, if not avoided, could result in death or serious injury.   |
|  | <b>CAUTION:</b> | Indicates a hazardous situation, that, if not avoided, may result in minor or moderate injury.   |
|   | <b>NOTICE:</b>  | (Without Safety Alert Symbol) Indicates information considered important, but not related to a potential injury (e.g. messages relating to property damage). |

Some of the following symbols may be used on this product. Please study them and learn their meaning. Proper interpretation of these symbols will allow you to operate the product better and safer.

| SYMBOL  | NAME                   | DESIGNATION/EXPLANATION  |
|---|------------------------|--|
|    | Safety Alert           | Indicates a potential personal injury hazard.  |
|   | Read Operator's Manual | To reduce the risk of injury, user must read and understand operator's manual before using this product.   |
|  | Eye Protection         | Always wear eye protection with side shields marked to comply with ANSI Z87.1.   |
|  | Wet Conditions Alert   | Do not expose to rain or use in damp locations.  |
|  | Hot Surface            | To reduce the risk of injury or damage, avoid contact with any hot surface.  |
|  | Recycle Symbol         | This product uses lithium-ion (Li-ion) batteries. Local, state or federal laws may prohibit disposal of batteries in ordinary trash. Consult your local waste authority for information regarding available recycling and/or disposal options. |
| V   | Volts                  | Voltage  |
| min   | Minutes                | Time   |
| ==  | Direct Current         | Type or a characteristic of current  |

# ASSEMBLY

## WARNING:

Do not use this product if it is not completely assembled or if any parts appear to be missing or damaged. Use of a product that is not properly and completely assembled or with damaged or missing parts could result in serious personal injury.

## WARNING:

Do not attempt to modify this product or create accessories or attachments not recommended for use with this product. Any such alteration or modification is misuse and could result in a hazardous condition leading to possible serious personal injury.

If any parts are damaged or missing, please call 1-800-525-2579 for assistance.

# OPERATION

## WARNING:

Do not allow familiarity with this product to make you careless. Remember that a careless fraction of a second is sufficient to inflict serious injury.

## WARNING:

Always remove battery pack from the tool when you are assembling parts, making adjustments, cleaning, or when not in use. Removing battery pack will prevent accidental starting that could cause serious personal injury.

## WARNING:

Always wear eye protection with side shields marked to comply with ANSI Z87.1. Failure to do so could result in objects being thrown into your eyes and other possible serious injuries.

## WARNING:

Do not use any attachments or accessories not recommended by the manufacturer of this product. The use of attachments or accessories not recommended can result in serious personal injury.

## APPLICATIONS

You may use this product for the purposes listed below:

- Applying hot glue adhesive

## WARNING:

Battery tools are always in operating condition. Place the switch in the off position and remove the battery pack when the product is not in use or when carrying at your side.

## INSTALLING/REMOVING BATTERY PACK

See Figure 1, page 8.

- Make sure the high/low/off switch is in the off position.
- Insert the battery pack into the product as shown.
- Make sure the latches on each side of the battery pack snap into place and that battery pack is secured in the product before beginning operation.
- Depress the latches to remove the battery pack.

For complete charging instructions, see the operator's manuals for your battery pack and charger.

## INSERTING GLUE STICKS

See Figures 2 - 5, pages 8 and 9.

The glue gun uses full size glue sticks - 1/2 in. (11-12 mm) diameter. Use Ryobi glue sticks for best performance.

## WARNING:

To reduce the risk of injury, the glue gun should be considered to be HOT whenever the LED on the unit is illuminated. Following this rule will reduce the risk of burns, fire, or serious personal injury.

The LED indicator will illuminate red when the switch is turned to the high or low position and the glue gun is warming up. The LED indicator will illuminate green when the glue gun has reached temperature and is ready to use.

- Make sure the high/low/off switch is in the off position.
- Insert a glue stick through the opening at the back of the glue gun. Guide the glue stick into the glue chamber until it will go no further.
- Lift the drip tray located underneath the glue gun to catch any glue while the glue gun is heating.
- Install the battery pack.
- Move the high/low/off switch to the high or low position.

**NOTE:** In the high position, the glue gun warms up to 338°F (170°C). Low position is 266°F (130°C).

# OPERATION

- When switching the temperature from high to low after the high temperature setting has already been reached, the green LED will remain illuminated.
- When switching from low to high, the LED will turn RED indicating that the gun is warming


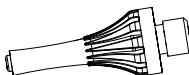

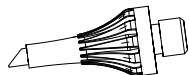
**NOTE:** Different types of glue sticks will heat to working temperature at different rates. Always test on a scrap piece to make sure the glue is at optimum temperature.

## WARNING:

Always place the glue gun so that nozzle does not come in contact with anything while it is heating or when not in use. Following this rule will reduce the risk of damage to items, burns, fire, or serious personal injury.

## SELECTING NOZZLES

The glue gun comes with a standard nozzle installed and can utilize multiple threaded nozzle tips.

| NOZZLE SELECTION GUIDE  |        |   |
|---|--------|---|
| Nozzle  | Dia.   | Purpose   |
|   | 3 mm   | Versatile and suitable for general use.   |
|  | 2.5 mm | Perfect for working in narrow or tight spaces. Has smaller opening and elongated tip.   |
|  | 3 mm   | Designed for increased hot melt glue dispensing. Has a large opening at the end of a flat tip that provides a wide coverage area. |
|  | 3 mm   | Great for reaching difficult places in many packaging applications.   |

*\*Not included in all product configurations. Can be purchased separately.*

## INSTALLING/REMOVING NOZZLES

See Figure 6, page 9.

### To install:

- Make sure the glue gun is turned off, the battery is removed, and the glue gun has properly cooled before replacing the nozzle.
- Choose the correct nozzle for your application.
- Thread the desired nozzle into the front of the glue gun.

- Use the included wrench to tighten.

### To remove:

- Remove the rubber nozzle sleeve.
- Using the included wrench, turn nozzle counterclockwise when viewed from the nozzle tip to remove from the glue gun.

**NOTE:** If the glue has caused the tip to become difficult to remove, then use a standard 12mm wrench or pliers to provide extra leverage.

## HELPFUL HINTS FOR USE

- Before applying glue to a surface or workpiece, use a scrap piece of paper or material that is similar to your workpiece as a test.
- Use caution when applying hot glue to thin or porous material. The underlying surface could be damaged or glue could adhere to the surface and be difficult to remove.
- Do not force the trigger when applying hot glue. This could damage the glue gun. Use a test piece of material to make sure the glue has melted enough to flow without forcing.
- Apply only as much glue as needed for your application.
- When gluing two objects together, do not pick up the object to which hot glue has been applied. Instead, pick up the other object and join it to the object to which you have applied hot glue.
- Do not use your fingers to press down on an object to which hot glue has just been applied. This can cause hot glue to escape from the edges or heat up the bonding surface and possibly cause burns or damage to surrounding objects.
- Allow glue to dry completely before moving your work to ensure proper adhesion and reduce the risk of burns.
- If applying glue to very small objects, use tweezers or tongs to avoid getting the nozzle close to your fingers.

## APPLYING HOT GLUE

See Figure 7, page 9.

- Install the battery pack and turn the switch to the high or low position.
- Allow time for the glue to melt so that it flows freely from the nozzle.
- Holding the glue gun firmly, place the nozzle close to the surface where glue will be applied.

**NOTE:** Holding the glue gun too far from the intended surface may result in applying glue to a surface other than your workpiece or may result in “strings” of glue between your work and the nozzle.

- Pull the trigger until glue flows from the nozzle. Do not over-apply.

# OPERATION

**NOTE:** For better control and consistency of application, it is advisable to use two fingers to pull the trigger.

- When the desired amount of glue has been applied, release the trigger. Tilt the nozzle slightly to the side and carefully pull the nozzle away from the object. This helps avoid strings of glue clinging to the work.

**NOTE:** The glue gun will stop dispensing glue when the glue stick in the chamber is almost used up. To refill the chamber, set the glue gun down and insert another glue stick.

- Always turn the on/off switch to the off position when you are finished using the glue gun. Lift the drip tray located underneath the glue gun to catch any glue drips while the glue gun is cooling.
- Allow the glue stick and glue gun nozzle to completely cool before removing the battery pack.

# MAINTENANCE

## **WARNING:**

When servicing, use only identical replacement parts. Use of any other parts could create a hazard or cause product damage.

## **GENERAL MAINTENANCE**

Avoid using solvents when cleaning plastic parts. Most plastics are susceptible to damage from various types of commercial solvents and may be damaged by their use. Use clean cloths to remove dirt, dust, oil, grease, etc.

## **STORAGE**

Allow the glue gun to cool completely before storing. Turn the switch to the off position and remove the battery pack.

## **WARNING:**

Always remove the battery pack before storage to ensure the product is off. Allow a minimum of 30 minutes of cool-down time before storage. Storing a glue gun with a hot nozzle can cause serious burns and/or ignite combustible objects.

To help prevent drips and clogs the next time the glue gun is used, remove dried glue from the nozzle area.

**NOTE: ILLUSTRATIONS START ON PAGE 8 AFTER FRENCH AND SPANISH LANGUAGE SECTIONS.**

# INSTRUCTIONS IMPORTANTES CONCERNANT LA SÉCURITÉ

## AVERTISSEMENT

**Lire tous les avertissements et toutes les instructions.** Ne pas suivre l'ensemble des avertissements et des instructions peut entraîner une électrocution, un incendie ou des blessures graves.

- **Apprendre à connaître l'outil.** Lire attentivement le manuel d'utilisation. Apprendre les applications et les limites de l'outil, ainsi que les risques spécifiques relatifs à son utilisation. Le respect de cette consigne réduira les risques d'incendie, de choc électrique et de blessures graves.
- **Toujours porter une protection oculaire munie d'écrans latéraux certifiée conforme à la norme ANSI Z87.1** lors du montage des pièces, du fonctionnement de l'outil ou au moment de l'entretien. Le respect de cette règle réduira les risques de blessures graves.
- **Ne pas déposer un pistolet à colle chaude sur son côté.**
- **Placer un morceau de papier ou de carton sous le produit pour récupérer les gouttes de colle chaude et ne pas endommager la surface sous le pistolet.**
- **Ne pas toucher la buse chaude du pistolet à colle chaude.**
- **Utiliser le pistolet à colle chaude dans un endroit bien aéré pour éviter de respirer les vapeurs de colle chaude.**
- **Ne pas diriger la buse du pistolet à colle chaude en direction d'une autre personne.**
- **Ne pas incliner la buse du pistolet à colle chaude vers le haut et ne pas utiliser ce produit pour coller des articles au-dessus de la tête.**
- **Toujours laisser refroidir et sécher complètement la colle chaude avant de manipuler l'article collé.**
- **Ne pas insérer autre chose que des bâtons de colle dans ce produit et insérer les bâtons par l'arrière du pistolet à colle chaude seulement.**
- **Ne pas placer les mains ni les doigts près de la buse du pistolet à colle chaude lors de l'insertion d'un nouveau bâton de colle.**
- **Ne jamais laisser un pistolet à colle chaude en marche sans surveillance.**
- **Ne pas appliquer une quantité plus grande de colle que celle nécessaire à l'application.**
- **Garder le lieu de travail propre et bien éclairé.** Les endroits encombrés ou sombres sont propices aux accidents.
- **Ne pas utiliser d'outils électriques dans des atmosphères explosives, par exemple en présence de liquides, gaz ou poussières inflammables.** Les outils électriques produisent des étincelles risquant d'enflammer les poussières ou vapeurs.
- **Garder les enfants et badauds à l'écart pendant l'utilisation d'un outil électrique.** Les distractions peuvent causer une perte de contrôle.
- **Ne pas laisser les enfants jouer avec le pistolet à colle chaude.** Ceci n'est pas un jouet.
- **Éviter tout contact du corps avec des surfaces mises à la terre, telles que tuyaux, radiateurs, cuisinières et réfrigérateurs.** Le risque de choc électrique est accru lorsque le corps est mis à la terre.
- **Ne pas exposer les outils électriques à l'eau ou l'humidité.** La pénétration d'eau dans ces outils accroît le risque de choc électrique.
- **Ne recharger les piles qu'avec l'appareil indiqué. Pour utiliser l'appareil avec des piles au lithium-ion de 18 V, consulter le supplément de raccordement pour chargeur/outils/piles/appareil n° 987000-432.**
- **Rester attentif, prêter attention au travail et faire preuve de bon sens lors de l'utilisation de tout outil électrique. Ne pas utiliser cet outil en état de fatigue ou sous l'influence de l'alcool, de drogues ou de médicaments.** Un moment d'inattention pendant l'utilisation d'un outil électrique peut entraîner des blessures graves.
- **Éviter les démarrages accidentels. S'assurer que le commutateur est en position d'arrêt avant de brancher l'outil.** Porter un outil avec le doigt sur son commutateur ou brancher un outil dont le commutateur est en position de marche peut causer un accident.
- **Ne pas travailler hors de portée. Toujours se tenir bien campé et en équilibre. Ne pas utiliser l'outil sur une échelle ou un support instable.** Ceci permettra de mieux contrôler l'outil en cas de situation imprévue.
- **Ne porter ni vêtements amples, ni bijoux. Attacher ou couvrir les cheveux longs.** Les vêtements amples, bijoux et cheveux longs peuvent contact la buse chaude.
- **Ne pas utiliser l'outil si le commutateur ne permet pas de le mettre en marche ou de l'arrêter.** Tout outil qui ne peut pas être contrôlé par son commutateur est dangereux et doit être réparé.
- **Débrancher l'outil et/ou retirer le bloc-piles avant d'effectuer des réglages, de changer d'accessoire ou de remiser l'outil.** Ces mesures de sécurité préventives réduisent les risques de démarrage accidentel de l'outil.
- **Ranger les outils motorisés hors de la portée des enfants et ne laisser personne n'étant pas familiarisé avec l'outil ou ces instructions utiliser l'outil.** Dans les mains de personnes n'ayant pas reçu des instructions adéquates, les outils sont dangereux.






# INSTRUCTIONS IMPORTANTES CONCERNANT LA SÉCURITÉ







- **Entretien des outils motorisés.** Vérifier qu'aucune pièce mobile n'est mal alignée ou bloquée, qu'aucune pièce n'est brisée et s'assurer qu'aucun autre problème ne risque d'affecter le bon fonctionnement de l'outil. En cas de dommages faire réparer l'outil avant de l'utiliser de nouveau. Beaucoup d'accidents sont causés par des outils mal entretenus.
- **Utiliser l'outil, les accessoires et embouts, etc. conformément à ces instructions pour les applications pour lesquelles ils sont conçus, en tenant compte des conditions et du type de travail à exécuter.** L'usage d'un outil motorisé pour des applications pour lesquelles il n'est pas conçu peut être dangereux.
- **Ne recharger qu'avec l'appareil spécifié par le fabricant.** Un chargeur approprié pour un type de pile peut créer un risque d'incendie s'il est utilisé avec un autre type de pile.
- **Utiliser exclusivement le bloc-pile spécifiquement indiqué pour l'outil.** L'usage de tout autre bloc peut créer un risque de blessures et d'incendie.
- **Lorsque le bloc-piles n'est pas en usage, le garder à l'écart d'articles tels qu'attaches trombones, pièces de monnaie, clous, vis ou autres petits objets métalliques risquant d'établir le contact entre les deux bornes.** La mise en court-circuit des bornes de piles peut causer des étincelles, des brûlures ou un incendie.
- **En cas d'usage abusif, du liquide peut s'échapper des piles. Éviter tout contact avec ce liquide. En cas de contact accidentel, rincer immédiatement les parties atteintes avec de l'eau. En cas d'éclaboussure dans les yeux consulter un médecin.** Le liquide s'échappant des piles peut causer des irritations ou des brûlures.
- **Les outils fonctionnant sur piles n'ayant pas besoin d'être branchés sur une prise secteur, ils sont toujours en état de fonctionnement. Tenir compte des dangers possibles lorsque l'outil n'est pas en usage et lors du remplacement des piles.** Le respect de cette consigne réduira les risques d'incendie, de choc électrique et de blessures graves.
- **Ne pas placer les outils électriques sans fil ou leurs piles à proximité de flammes ou d'une source de chaleur.** Ceci réduira les risques d'explosion et de blessures.
- **Ne pas écraser, faire tomber ou endommager le bloc-piles. Ne jamais utiliser un bloc-piles ou un chargeur qui est tombé, a été écrasé, a reçu un choc violent ou a été endommagé de quelque façon que ce soit.** Une pile endommagée risque d'exploser. Éliminer immédiatement toute pile endommagée, selon une méthode appropriée.
- **Les outils fonctionnant sur piles n'ayant pas besoin d'être branchés sur une prise secteur, ils sont toujours en état de fonctionnement. Tenir compte des dangers possibles lorsque l'outil n'est pas en usage et lors du remplacement des piles.** Le respect de cette consigne réduira les risques d'incendie, de choc électrique et de blessures graves.
- **Ne pas placer les outils électriques sans fil ou leurs piles à proximité de flammes ou d'une source de chaleur.** Ceci réduira les risques d'explosion et de blessures.
- **Pour un résultat optimal, les piles de l'outil doivent être rechargées dans un local où la température est de 10 à 38 °C (50 à 100°F). Ne pas ranger l'outil à l'extérieur ou dans un véhicule.**
- **Si l'outil est utilisé de façon intensive ou sous des températures extrêmes, des fuites de pile peuvent se produire. En cas de contact du liquide avec la peau, rincer immédiatement la partie atteinte avec de l'eau. En cas d'éclaboussure dans les yeux, les rincer à l'eau fraîche pendant au moins 10 minutes, puis contacter immédiatement un médecin.** Le respect de cette règle réduira les risques de blessures graves.
- **Les réparations doivent être confiées à un technicien qualifié, utilisant exclusivement des pièces identiques à celles d'origine.** Ceci assurera le maintien de la sécurité de l'outil.
- **Utiliser exclusivement des pièces identiques à celles d'origine pour les réparations. Se conformer aux instructions de la section Entretien de ce manuel.** L'usage de pièces non autorisées ou le non-respect des instructions peut présenter des risques de choc électrique ou de blessures.
- **Conserver ces instructions.** Les consulter fréquemment et les utiliser pour instruire les autres utilisateurs éventuels. Si cet outil est prêté, il doit être accompagné de ces instructions.

# SYMBOLES

Les termes de mise en garde suivants et leur signification ont pour but d'expliquer le degré de risques associé à l'utilisation de ce produit.

| SYMBOLE   | SIGNAL                 | SIGNIFICATION  |
|---|------------------------|--|
|  | <b>DANGER :</b>        | Indique une situation dangereuse qui, si elle n'est pas évitée, aura pour conséquences des blessures graves ou mortelles.  |
|  | <b>AVERTISSEMENT :</b> | Indique une situation dangereuse qui, si elle n'est pas évitée, pourrait entraîner des blessures graves ou mortelles.  |
|  | <b>ATTENTION :</b>     | Indique une situation dangereuse qui, si elle n'est pas évitée, pourrait entraîner des blessures légères ou de gravité modérée.  |
|   | <b>AVIS :</b>          | (Sans symbole d'alerte de sécurité) Indique les informations jugées importantes sans toutefois représenter un risque de blessure (ex. : messages concernant les dommages matériels). |

Certains des symboles ci-dessous peuvent être utilisés sur produit. Veiller à les étudier et à apprendre leur signification. Une interprétation correcte de ces symboles permettra d'utiliser produit plus efficacement et de réduire les risques.

| SYMBOLE   | NOM                                 | DÉSIGNATION / EXPLICATION   |
|---|-------------------------------------|---|
|    | Symbole d'alerte de sécurité        | Indique un risque de blessure potentiel.  |
|    | Lire manuel d'utilisation           | Pour réduire les risques de blessures, l'utilisateur doit lire et veiller à bien comprendre le manuel d'utilisation avant d'utiliser ce produit.  |
|  | Protection oculaire                 | Toujours porter une protection oculaire avec écrans latéraux certifiée conforme à la norme ANSI Z87.1.  |
|  | Avertissement concernant l'humidité | Ne pas exposer à la pluie ou l'humidité.  |
|  | Hot Surface                         | Pour éviter les risques de blessures ou de dommages, éviter tout contact avec les surfaces brûlantes.   |
|  | Symbole de recyclage                | Ce produit utilise les piles de lithium-ion (Li-ion). Les réglementations locales ou gouvernementales peuvent interdire de jeter les piles dans les ordures ménagères. Consulter les autorités locales compétentes pour les options de recyclage et/ou l'élimination. |
| V   | Volts                               | Tension   |
| min   | Minutes                             | Temps   |
| —   | Courant continu                     | Type ou caractéristique du courant  |

# ASSEMBLAGE

## AVERTISSEMENT :

Ne pas utiliser le produit s'il n'est pas complètement assemblé ou si des pièces semblent manquantes ou endommagées. L'utilisation d'un produit dont l'assemblage est incorrect ou incomplet ou comportant des pièces endommagées ou absentes représente un risque de blessures graves.

## AVERTISSEMENT :

Ne pas essayer de modifier cet outil ou de créer des pièces et accessoires non recommandés. De telles altérations ou modifications sont considérées comme un usage abusif et peuvent créer des conditions dangereuses, risquant d'entraîner des blessures graves.

Si des pièces manquent ou sont endommagées, veuillez appeler au 1-800-525-2579 pour obtenir de l'aide. Au Mexique, veuillez composer le numéro 01-800-843-1111.

# UTILISATION

## AVERTISSEMENT :

Ne pas laisser la familiarité avec l'outil faire oublier la prudence. Ne pas oublier qu'une fraction de seconde d'inattention peut entraîner des blessures graves.

## AVERTISSEMENT :

Toujours retirer la bloc-pile de l'outil au moment d'assembler des pièces, d'effectuer des réglages et de procéder au nettoyage, ou lorsque l'outil n'est pas utilisé. Si cette précaution n'est pas prise, des objets peuvent être projetés dans les yeux et causer des lésions graves.

## AVERTISSEMENT :

Toujours porter une protection oculaire avec écrans latéraux certifiée conforme à la norme ANSI Z87.1. Si une opération dégage de la poussière, porter également un masque anti-poussière.

## AVERTISSEMENT :

Ne pas utiliser d'outils ou accessoires non recommandés par le fabricant pour cet outil. L'utilisation de pièces et accessoires non recommandés peut entraîner des blessures graves.

## APPLICATIONS

Cet outil ne doit être utilisé que pour les applications listées ci-dessous.

- Application de colle chaude

## AVERTISSEMENT :

Les outils à piles sont toujours en état de fonctionnement. Mettre le commutateur en position d'arrêt retirer le bloc-piles dès la fin de son utilisation ou lorsqu'il est transporté à côté du corps.

## INSTALLATION/RETRAIT DU BLOC-PILES

Voir la figure 1, page 8.

- S'assurer que l'interrupteur de élevée/basse/arrêt est à la position.
- Insérer la pile dans l'outil comme illustré.
- S'assurer que les loquets de chaque côté de la pile s'enclenchent en place et que la pile est bien fixée à l'outil avant de mettre l'outil en marche.
- Relâcher les loquets pour retirer le bloc-piles.

Pour prendre connaissance des consignes de chargement, consulter le manuel d'utilisation des piles et des chargeurs.

## INSERTION DES BÂTONS DE COLLE CHAUDE

Voir la figure 2 - 5, pages 8 et 9.

Le pistolet à colle utilise des bâtons de colle pleine grandeur, mesurant 11 à 12 mm (1/2 po) de diamètre. Utiliser des bâtonnets de colle de Ryobi pour assurer la meilleure performance.

## AVERTISSEMENT :

Pour réduire les risques de blessure, le pistolet à colle doit être considéré CHAUD chaque fois que le voyant DEL de la base s'illumine. Le respect de cette règle réduira le risque de brûlures, d'incendie ou de blessures graves.

Le voyant DEL s'illumine en rouge lorsque l'interrupteur est en position élevée ou basse et que le pistolet à colle chauffe. Le voyant DEL s'illumine en vert quand le pistolet à colle a atteint la température et est prêt à être utilisé.

- S'assurer que l'interrupteur de élevée/basse/arrêt est à la position.
- Insérer un bâton de colle dans l'ouverture située à l'arrière du pistolet à colle chaude. Guider le bâton de colle dans la chambre à colle jusqu'à ce qu'il ne s'enfonce plus.
- Soulever le bac récepteur situé sous le pistolet à colle, pour capturer la colle quand le pistolet chauffe.
- Réinstaller le bloc-piles.

# UTILISATION

- Placer l'interrupteur élevée/basse/arrêt en position élevée ou basse.

**NOTE :** En position élevée, le pistolet à colle chauffe jusqu'à 170 °C (338 °F). En position basse, il chauffe jusqu'à 130 °C (266 °F).

- Si la température est changée à la position basse après avoir déjà atteint la position élevée, la DEL verte restera allumée.
- Si la température est changée de basse à élevée, la DEL deviendra ROUGE pour indiquer que le pistolet chauffe.


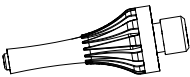
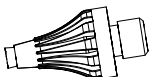
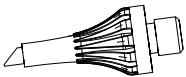
**NOTE :** Les différentes variétés de bâtons de colle chaufferont et atteindront la température de service selon un rythme différent. Toujours faire un essai sur un morceau à jeter pour s'assurer que la colle a atteint sa température optimale.

## AVERTISSEMENT :

Toujours placer le pistolet à colle chaude de manière à éviter son contact avec tout autre objet pendant le chauffage ou s'il n'est pas utilisé. Le respect de cette consigne réduira le risque de dommages aux articles, les brûlures, l'incendie et les blessures graves.

## SÉLECTION DES BUSES

Le pistolet à colle est offert avec une buse standard et peut utiliser de multiples embouts de buse à enfiler.

| SÉLECTEUR DE BUSE  |        |   |
|--|--------|---|
| Buse   | Dia.   | Application   |
| <br>Classique           | 3 mm   | Polyvalente et adaptée à un usage général.  |
| <br>*Précision étendue  | 2.5 mm | Parfaite pour travailler dans les espaces étroits ou restreints. Possède une ouverture plus petite et une pointe allongée.                      |
| <br>*Écarteur           | 3 mm   | Conçue pour augmenter la distribution de colle chaude. Possède une ouverture large au bout de la pointe plate pour couvrir une zone plus large. |
| <br>*Rallongée en angle | 3 mm   | Excellente pour atteindre les endroits difficiles dans de nombreuses applications d'emballage.  |

\* Non comprise dans toutes les configurations de produit. Peut être achetée séparément.

## INSTALLATION ET ENLÈVEMENT DES BUSES

Voir la figure 6, page 9.

### Installation :

- Avant de remplacer la buse, vérifier que le pistolet à colle est éteint, que la pile est retirée et que le pistolet à colle s'est bien refroidi.
- Sélectionner la buse adéquate pour votre application.
- Enfiler la buse souhaitée à l'avant du pistolet à colle.
- Utiliser la clé incluse pour serrer.

### Retrait :

- Enlever la gaine de buse en caoutchouc.
- À l'aide de la clé incluse, tourner la buse dans le sens inverse des aiguilles d'une montre, vue de l'extrémité de la buse, pour la retirer du pistolet à colle.

**NOTE :** Si la colle a rendu l'embout difficile à retirer, utiliser une clé ou une pince standard de 12 mm pour obtenir un effet de levier supplémentaire.

## CONSEILS D'UTILISATION PRATIQUES

- Avant d'appliquer la colle à une surface ou une pièce à travailler, utiliser un rebut de papier ou de matériau semblable à la pièce à coller afin d'effectuer un essai.
- Être prudent lors de l'application de colle chaude sur des matériaux minces ou poreux. La surface sous le matériau risque de s'endommager ou la colle peut adhérer à la surface et être difficile à enlever.
- Ne pas forcer la gâchette lors de l'application de colle chaude. Ceci risque d'endommager le pistolet à colle chaude. Utiliser un rebut de matériau pour faire un essai et s'assurer que la colle est suffisamment fondue pour couler sans la forcer.
- Appliquer seulement la quantité de colle nécessaire à l'application à réaliser.
- Lors du collage de deux objets ensemble, ne pas prendre l'objet sur lequel la colle vient d'être appliquée. Prendre préférentiellement un autre objet et le joindre à l'objet sur lequel la colle chaude vient d'être appliquée.
- Ne pas utiliser les doigts pour appliquer une pression contre un objet sur lequel la colle chaude vient d'être appliquée. Ceci risque de provoquer l'écoulement de la colle chaude des bords ou de chauffer la surface à coller et causer des brûlures ou endommager les objets avoisinants.
- Laisser sécher complètement la colle avant de déplacer la pièce afin d'assurer une bonne adhérence et réduire le risque de brûlures.
- Pour appliquer de la colle sur des objets très petits, utiliser des brucelles ou des pinces pour éviter la proximité de la buse avec les doigts.

# UTILISATION

## APPLICATION DE COLLE CHAUDE

Voir la figure 7, page 9.

- Installer le bloc-piles et mettre l'interrupteur à la position élevée ou basse.
- Attendre que la colle fonde et qu'elle coule librement de la buse.
- Tenir fermement le pistolet à colle chaude puis placer la buse près de la surface où la colle sera appliquée.

**NOTE :** Tenir le pistolet à colle chaude trop éloigné de la surface à travailler peut causer l'application de colle sur d'autre surface que la pièce à travailler ou causer des « filets » de colle entre la surface fraîchement collée et la buse.

- Pousser la gâchette jusqu'à ce que la colle s'écoule par la buse. Éviter l'application excessive de colle.

**NOTE :** Pour un meilleur contrôle et une application uniforme, il est recommandé d'appuyer deux doigts sur la gâchette.

- Relâcher la gâchette dès que la quantité de colle désirée a été appliquée. Incliner légèrement la buse sur le côté et éloigner prudemment la buse de l'objet. Ceci permettra d'éviter l'adhérence de filets au travail accompli.

**NOTE :** Le pistolet à colle chaude ne distribuera plus de colle lorsque le bâton de colle dans la chambre sera presque entièrement utilisé. Pour charger la chambre, déposer le pistolet à colle chaude et insérer un autre bâton de colle.

- Toujours mettre l'interrupteur de marche/arrêt à la position arrêt dès la fin de l'utilisation du pistolet à colle chaude. Soulever le bac récepteur situé sous le pistolet à colle, pour capturer la colle quand le pistolet refroidit.
- Laisser refroidir complètement le pistolet à colle chaude et la buse avant de retirer le bloc-piles.

# ENTRETIEN

## AVERTISSEMENT :

Utiliser exclusivement des pièces d'origine pour les réparations. L'usage de toute autre pièce pourrait créer une situation dangereuse ou endommager l'produit.

## ENTRETIEN GÉNÉRAL

Éviter d'utiliser des solvants pour le nettoyage des pièces en plastique. La plupart des matières plastiques peuvent être endommagées par divers types de solvants du commerce. Utiliser un chiffon propre pour éliminer la saleté, la poussière, l'huile, la graisse, etc.

## RANGEMENT

Laisser le pistolet à colle pour refroidir complètement avant de le ranger. Tournez le commutateur à la position d'arrêt et retirer la pile.

## AVERTISSEMENT :

Toujours retirer le bloc-piles avant de ranger le pistolet et que se dernier est éteint. Laisser refroidir le pistolet à colle chaude au moins 30 minutes avant de le ranger. Ranger un pistolet à colle chaude alors que la buse est encore chaude représente un risque de brûlures et/ou d'enflammer les objets combustibles.

Pour aider à prévenir les gouttes et sabots la prochaine fois que le pistolet à colle est utilisé, enlever la colle séchée de la zone de la buse.

**NOTE : ILLUSTRATIONS COMMENCE À LA PAGE 8,  
APRÈS LE SECTION EN ESPAGNOL.**

# IMPORTANTES INSTRUCCIONES DE SEGURIDAD

## ADVERTENCIA

Lea todas las advertencias de seguridad y las instrucciones. El incumplimiento de las advertencias e instrucciones puede ocasionar descarga eléctrica, fuego o lesiones graves.




- **Familiarícese con su herramienta eléctrica.** Lea cuidadosamente el manual del operador. Aprenda sus usos y limitaciones, así como los posibles peligros específicos de esta herramienta eléctrica. Con el cumplimiento de esta regla se reduce el riesgo de una descarga eléctrica, incendio o lesión seria.
- **Siempre use protección ocular con laterales protectores con la marca de cumplimiento con la norma ANSI Z87.1 al ensamblar piezas, utilizar la herramienta o llevar a cabo tareas de mantenimiento.** Con el cumplimiento de esta regla se reduce el riesgo de lesiones corporales serias.
- **No apoye una pistola de pegamento caliente sobre sus partes laterales.**
- **Coloque un pedazo de papel o cartón debajo del producto para atrapar las gotas de pegamento caliente y evitar daños en la superficie subyacente.**
- **No toque la boquilla calentada de la pistola de pegamento.**
- **Use la pistola de pegamento en un área bien ventilada para evitar la inhalación de vapores del pegamento caliente.**
- **No apunte la boquilla de la pistola de pegamento hacia otra persona.**
- **No incline la boquilla de la pistola de pegamento hacia arriba ni use el producto para pegar elementos que estén en la altura.**
- **Siempre permita que el pegamento caliente se enfríe y seque completamente antes de manipular el elemento en el que se aplicó.**
- **No inserte nada a excepción de barras de pegamento en este producto, e insértelos únicamente desde la parte trasera de la pistola de pegamento.**
- **No coloque las manos ni los dedos cerca de la boquilla de la pistola de pegamento cuando inserte una nueva barra de pegamento.**
- **Nunca deje la pistola de pegamento sin supervisión mientras esté en funcionamiento.**
- **No aplique más pegamento caliente del necesario para su aplicación.**
- **Mantenga limpia y bien iluminada el área de trabajo.** Un área de trabajo mal despejada o mal iluminada propicia accidentes.
- **No utilice herramientas motorizadas en atmósferas explosivas, como las existentes alrededor de líquidos, gases y polvos inflamables.** Las herramientas eléctricas generan chispas que pueden encender el polvo y los vapores inflamables.
- **Mantenga alejados a los niños y circunstancias al maniobrar una herramienta eléctrica.** Toda distracción puede causar pérdida del control de la herramienta.
- **No permita que los niños usen la pistola de pegamento.** No es un juguete.
- **Evite el contacto del cuerpo con las superficies de objetos que estén haciendo tierra o estén conectados a ésta, como tuberías, radiadores, estufas y refrigeradores.** Existe un mayor riesgo de descargas eléctricas si el cuerpo está haciendo tierra.
- **No exponga las herramientas eléctricas a la lluvia ni a condiciones de humedad.** La introducción de agua en una herramienta eléctrica aumenta el riesgo de descargas eléctricas.
- **Cargue las baterías solamente con el cargador indicado.** Para utilizar con paquetes de baterías de iones de litio de 18 V, consulte el folleto de la herramienta/aparato/paquete de baterías/cargador complementario 987000-432.
- **Permanezca alerta, preste atención a lo que esté haciendo y aplique el sentido común al utilizar herramientas eléctricas.** No utilice la herramienta eléctrica si está cansado o se encuentra bajo los efectos de alguna droga, alcohol o medicamento. Un momento de inatención al utilizar una herramienta eléctrica puede causar lesiones corporales serias.
- **Evite un arranque accidental de la unidad. Asegúrese de que el interruptor esté en la posición de apagado antes de conectar la herramienta.** Portar las herramientas eléctricas con el dedo en el interruptor, o conectarlas con el interruptor puesto, propicia accidentes.
- **No estire el cuerpo para alcanzar mayor distancia. Mantenga una postura firme y buen equilibrio en todo momento. No utilice la unidad al estar en una escalera o en un soporte inestable.** De esta manera se logra un mejor control de la herramienta eléctrica en situaciones inesperadas.
- **No vista ropas holgadas ni joyas. Recójase el cabello si está largo.** Las ropas holgadas y las joyas, así como el cabello largo, pueden engancharse en las piezas contacto la boquilla calentada.
- **No utilice la herramienta si el interruptor no enciende o no apaga.** Cualquier herramienta eléctrica que no pueda controlarse con el interruptor es peligrosa y debe repararse.

# IMPORTANTES INSTRUCCIONES DE SEGURIDAD








- **Desconecte la clavija del suministro de corriente o retire el paquete de baterías de la herramienta eléctrica, según sea el caso, antes de efectuarle cualquier ajuste, cambiarle accesorios o guardarla.** Tales medidas preventivas de seguridad reducen el riesgo de poner en marcha accidentalmente la herramienta.
- **Guarde las herramientas eléctricas desocupadas fuera del alcance de los niños y no permita que las utilicen personas no familiarizadas con las mismas o con estas instrucciones.** Las herramientas eléctricas son peligrosas en manos de personas no capacitadas en el uso de las mismas.
- **Preste servicio a las herramientas eléctricas. Revise para ver si hay desalineación o atoramiento de piezas móviles, ruptura de piezas o cualquier otra condición que pueda afectar el funcionamiento de la herramienta. Si está dañada la herramienta eléctrica, permita que la reparen antes de usarla.** Numerosos accidentes son causados por herramientas eléctricas mal cuidadas.
- **Utilice la herramienta eléctrica, los accesorios y brocas, hojas y cuchillas de corte, ruedas de esmeril, etc. de conformidad con estas instrucciones, tomando en cuenta las condiciones de trabajo y la tarea por realizar.** Si se utiliza la herramienta eléctrica para operaciones diferentes de las indicadas podría originar una situación peligrosa.
- **Sólo cargue el paquete de baterías con el cargador especificado por el fabricante.** Un cargador adecuado para un tipo paquete de baterías puede significar un riesgo de incendio si se emplea con un paquete de baterías diferente.
- **Utilice las herramientas eléctricas sólo con los paquetes de baterías específicamente indicados.** El empleo de paquetes de baterías diferentes puede presentar un riesgo de incendio.
- **Cuando no esté utilizándose el paquete de baterías, manténgalo lejos de otros objetos metálicos, como clips, monedas, llaves, clavos, tornillos o otros objetos metálicos, pequeños que puedan establecer conexión entre ambas terminales.** Establecer una conexión directa entre las dos terminales de las baterías puede causar quemaduras o incendios.
- **Si se maltratan las baterías, puede derramarse líquido de las mismas; evite todo contacto con éste. En caso de contacto, lávese con agua. Si el líquido llega a tocar los ojos, además busque atención médica.** El líquido de las baterías puede causar irritación y quemaduras.
- **No se necesita conectar a una toma de corriente las herramientas de baterías; por lo tanto, siempre están en condiciones de funcionamiento. Esté consciente de los posibles peligros cuando no esté usando la herramienta de baterías o cuando esté cambiando los accesorios de la misma.** Con el cumplimiento de esta regla se reduce el riesgo de una descarga eléctrica, incendio o lesión corporal seria.
- **No coloque herramientas de baterías ni las baterías mismas cerca del fuego o del calor.** De esta manera se reduce el riesgo de explosiones y de lesiones.
- **No aplaste, deje caer o dañe de baterías. Nunca utilice una batería o cargador que se ha caído, aplastado, recibido un golpe contundente o ha sido dañado(a) de alguna manera.** Las baterías dañadas pueden sufrir explosiones. Deseche de inmediato toda batería que haya sufrido una caída o cualquier daño.
- **Las baterías pueden explotar en presencia de fuentes de inflamación, como los pilotos de gas.** Para reducir el riesgo de lesiones serias, nunca use un producto inalámbrico en presencia de llamas expuestas. La explosión de una batería puede lanzar fragmentos y compuestos químicos. Si ha quedado expuesto a la explosión de una batería, lávese de inmediato con agua.
- **No cargue herramientas de baterías en lugares mojados o húmedos.** Con el cumplimiento de esta regla se reduce el riesgo de una descarga eléctrica.
- **Para obtener resultados óptimos, debe cargar la herramienta de baterías en un lugar donde la temperatura esté entre 10 y 38 °C (entre 50 y 100 °F).** No guarde la herramienta a la intemperie ni en el interior de vehículos.
- **En condiciones extremas de uso o temperatura las baterías pueden emanar líquido. Si el líquido llega a tocarle la piel, lávese de inmediato con agua y jabón. Si le entra líquido en los ojos, láveselos con agua limpia por lo menos 10 minutos, y después busque de inmediato atención médica.** Con el cumplimiento de esta regla se reduce el riesgo de lesiones corporales serias.
- **Permita que un técnico de reparación calificado preste servicio a la herramienta eléctrica, y sólo con piezas de repuesto idénticas.** De esta manera se mantiene la seguridad de la herramienta eléctrica.
- **Al dar servicio a una herramienta eléctrica, sólo utilice piezas de repuesto idénticas. Siga las instrucciones señaladas en la sección Mantenimiento de este manual.** El empleo de piezas no autorizadas o el incumplimiento de las instrucciones de mantenimiento puede significar un riesgo de descarga eléctrica o de lesiones.
- **Guarde estas instrucciones.** Consúltelas con frecuencia y empléelas para instruir a otras personas que puedan utilizar esta herramienta. Si presta a alguien esta herramienta, facilítele también las instrucciones.

# SÍMBOLOS

Las siguientes palabras de señalización y sus significados tienen el objeto de explicar los niveles de riesgo relacionados con este producto.

| SÍMBOLO   | SEÑAL               | SIGNIFICADO   |
|---|---------------------|---|
|  | <b>PELIGRO:</b>     | Indica una situación peligrosa, la cual, si no se evita, causará la muerte o lesiones serias.   |
|  | <b>ADVERTENCIA:</b> | Indica una situación peligrosa, la cual, si no se evita, podría causar la muerte o lesiones serias.   |
|  | <b>PRECAUCIÓN:</b>  | Indica una situación peligrosa, la cual, si no se evita, podría causar lesiones menores o leves.  |
|   | <b>AVISO:</b>       | (Sin el símbolo de alerta de seguridad) Indica la información que se considera importante, pero no relacionada con lesiones potenciales (por ej. en relación a daños a la propiedad). |

Es posible que se empleen en este producto algunos de los siguientes símbolos. Le suplicamos estudiarlos y aprender su significado. Una correcta interpretación de estos símbolos le permitirá utilizar mejor y de manera más segura el producto.

| SÍMBOLO   | NOMBRE                        | DENOMINACIÓN/EXPLICACIÓN   |
|---|-------------------------------|--|
|    | Alerta de seguridad           | Indica un peligro posible de lesiones personales.  |
|   | Lea el manual del operador    | Para reducir el riesgo de lesiones, el usuario debe leer y comprender el manual del operador antes de usar este producto.  |
|  | Protección ocular             | Siempre póngase protección ocular con protección lateral con la marca de cumplimiento de la norma ANSI Z87.1.  |
|  | Alerta de condiciones húmedas | No exponga la unidad a la lluvia ni la use en lugares húmedos.   |
|  | Superficie caliente           | Para reducir el riesgo de lesiones corporales o daños materiales evite tocar toda superficie caliente.   |
|  | Símbolo de reciclado          | Este producto contiene baterías de iones de litio (Li-ion). Es posible que algunas leyes municipales, estatales o federales prohíban desechar las baterías en la basura normal. Consulte a las autoridades reguladoras de desechos para obtener información en relación con las alternativas de reciclado y desecho disponibles. |
| V   | Volts                         | Voltaje  |
| min   | Minutos                       | Tiempo   |
|  | Corriente continua            | Tipo o característica de corriente   |



# ARMADO

## ADVERTENCIA

No use este producto si no está totalmente ensamblado o si alguna pieza falta o está dañada. El uso de un producto que no está adecuadamente y completamente ensamblado o posee partes dañadas o faltantes puede resultar en lesiones personales graves.

## ADVERTENCIA

No intente modificar este producto ni crear aditamentos o accesorios que no estén recomendados para usar con este producto. Dichas alteraciones o modificaciones constituyen un uso indebido y podrían provocar una situación de riesgo que cause posibles lesiones personales graves.

Si hay piezas dañadas o faltantes, le suplicamos llamar al 1-800-525-2579, donde le brindaremos asistencia. En México, llame al 01-800-843-1111.

# FUNCIONAMIENTO

## ADVERTENCIA

No permita que su familiarización con las herramientas lo vuelva descuidado. Tenga presente que un descuido de un instante es suficiente para causar una lesión grave.

## ADVERTENCIA

Siempre retire el paquete de baterías de la herramienta cuando esté ensamblando partes, realizando ajustes, limpiando o cuando ésta no esté en uso. Retirando el paquete de baterías se evita arrancar accidentalmente la unidad, lo cual puede causar lesiones serias.

## ADVERTENCIA

Siempre póngase protección ocular con protección lateral con la marca de cumplimiento de la norma ANSI Z87.1. Si no cumple esta advertencia, los objetos que salen despedidos pueden producirle lesiones serias en los ojos.

## ADVERTENCIA

No utilice ningún aditamento o accesorio no recomendado por el fabricante de esta producto. El empleo de aditamentos o accesorios no recomendados podría causar lesiones serias.

## APLICACIONES

Este producto puede emplearse para los fines siguientes:

- Aplicación del adhesivo de pegamento caliente

## ADVERTENCIA

Battery tools are always in operating condition. Ponga el interruptor en la posición de apagado y quite el paquete de baterías cuando el producto no esté en uso o cuando la lleve al costado del cuerpo.

## INSTALACIÓN/DESMONTAR DEL PAQUETE DE BATERÍAS

*Vea la figura 1, página 8.*

- Asegúrese de que el interruptor de alto/baja/apagado esté en la posición de apagado.
- Coloque el paquete de baterías en el producto como se muestra.
- Asegúrese de que los pestillos situados a ambos lados del paquete de baterías entren completamente en su lugar con un chasquido y de que el paquete quede bien asegurado en la herramienta antes de comenzar a utilizarla.
- Oprima los pestillos para extraer el paquete de baterías.

Para obtener instrucciones específicas de carga, lea el manual del operador que se incluye con el cargador y la batería.

## INSERTION DES BÂTONS DE COLLE CHAUDE

*Vea la figura 2 - 5, página 8 y 9.*

La pistola de pegamento utiliza palitos de pegamento de tamaño completo: 11-12 mm (1/2 pulg.) de diámetro. Utilice palitos de pegamento Ryobi para obtener el mejor rendimiento.

## ADVERTENCIA

Para reducir el riesgo de lesiones, considere que la pistola de pegamento está CALIENTE cada vez que se ilumine el LED de la base. Seguir esta regla reducirá el riesgo de quemaduras, fuego o lesiones personales graves.

El indicador LED se iluminará en rojo cuando el interruptor se coloque en la posición alta o baja y la pistola de pegamento se esté calentando. El indicador LED se iluminará en verde cuando la pistola de pegamento haya alcanzado temperatura y esté lista para usar.

- Asegúrese de que el interruptor de alto/baja/apagado esté en la posición de apagado.
- Inserte una barra de pegamento a través de la apertura de la parte trasera de la pistola de pegamento. Guíe la barra

# FUNCIONAMIENTO

de pegamento dentro de la cámara de pegamento hasta el fondo.

- Levante la bandeja de goteo ubicada debajo de la pistola de pegamento para recoger cualquier resto de pegamento mientras la pistola se calienta.
- Instale el paquete de baterías.
- Mueva el interruptor de alta/baja/apagada a la posición alta o baja.

**NOTA:** En la posición alta, la pistola de pegamento se calienta hasta 170 °C (338 °F). La posición baja calienta hasta 130 °C (266 °F).

- Al cambiar la temperatura de alta a baja después de que se haya alcanzado la configuración de temperatura alta, el LED verde permanecerá iluminado.
- Al cambiar de baja a alta, el LED cambiará a ROJO para indicar que la pistola se está calentando.

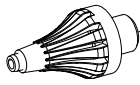
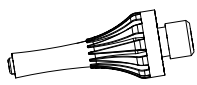
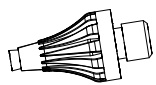
**NOTA:** Distintos tipos de barras de pegamento se calientan a temperaturas de trabajo a diferente velocidad. Pruebe siempre sobre una pieza de desecho para asegurarse de que el pegamento esté a la temperatura óptima.

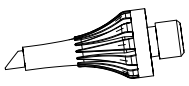
## ADVERTENCIA

Siempre coloque la pistola de pegamento de manera que la boquilla no entre en contacto con nada mientras se está calentando o cuando no está en uso. Al cumplir esta regla se reduce el riesgo de daños en los elementos, de un incendio o de una lesión personal grave.

## SELECCIÓN DE BOQUILLAS

La pistola de pegamento viene con una boquilla estándar instalada y puede utilizar múltiples puntas de boquilla roscadas.

| GUÍA DE SELECCIÓN DE BOQUILLAS   |        |  |
|--|--------|--|
| Boquilla   | Diá.   | Uso  |
| <br>Estándar                | 3 mm   | Versátil y adecuada para uso general.  |
| <br>*Extendida de precisión | 2.5 mm | Ideal para trabajar en espacios estrechos. Tiene una abertura más pequeña y una punta alargada.  |
| <br>*Separador              | 3 mm   | Diseñada para una mayor dispensación de pegamento termofusible. Tiene una gran abertura al final de una punta plana que proporciona un área de cobertura amplia. |

|  |      |   |
|--|------|---|
| *Extensión en ángulo<br> | 3 mm | Ideal para llegar a lugares difíciles en muchas aplicaciones de embalaje. |
|--|------|---|

*\*No incluida en todas las configuraciones del producto. Se puede adquirir por separado.*

## INSTALACIÓN/EXTRACCIÓN DE BOQUILLAS

Vea la figura 6, página 9.

### Para instalar:

- Asegúrese de que la pistola de pegamento esté apagada, que la batería se haya retirado y que la pistola de pegamento se haya enfriado correctamente antes de reemplazar la boquilla.
- Elija la boquilla correcta para su aplicación.
- Enrosque la boquilla deseada en la parte delantera de la pistola de pegamento.
- Utilice una llave incluida para ajustar.

### Para desmontar:

- Retire la manga de goma de la boquilla.
- Con la llave incluida, gire la boquilla en sentido antihorario cuando se vea desde la punta de la boquilla para quitarla de la pistola de pegamento.

**NOTA:** Si el pegamento hace que la punta se vuelva difícil de quitar, utilice una llave estándar de 12 mm o alicates para lograr apalancamiento adicional.

## CONSEJOS ÚTILES PARA EL USO

- Antes de aplicar pegamento a una superficie o pieza de trabajo, use un pedazo de papel o material de desecho similar a la pieza de trabajo como prueba.
- Tenga cuidado al aplicar pegamento caliente en material fino o poroso. Podría dañarse la superficie subyacente o el pegamento podría adherirse a la superficie y volverse difícil de remover.
- No fuerce el gatillo cuando aplique el pegamento caliente. Esto podría dañar la pistola de pegamento. Use un pedazo de material de prueba para asegurarse de que el pegamento se haya derretido lo suficiente para fluir sin necesidad de forzarlo.
- Aplique solo la cantidad de pegamento necesaria para su aplicación.
- Cuando pegue dos objetos entre sí, no recoja el objeto al que se le ha aplicado el pegamento caliente. En su lugar, recoja el otro objeto y únalo al objeto al que se le aplicó el pegamento caliente.
- No use los dedos para presionar un objeto al que se le aplicó el pegamento caliente. Esto puede provocar que el pegamento caliente se escape por los bordes o

# FUNCIONAMIENTO

caliente la superficie de unión y, posiblemente, provoque quemaduras y daños en los objetos cercanos..

- Deje que el pegamento se seque completamente antes de seguir con su trabajo para garantizar una adhesión correcta y reducir el riesgo de quemaduras.
- Si aplica pegamento a objetos muy pequeños, use pinzas o alicates para evitar que la boquilla se acerque a sus dedos.

## APLICACIÓN DE PEGAMENTO CALIENTE

Vea la figura 7, página 9.

- Instale el paquete de baterías y gire el interruptor a la posición de alto o baja.
- Espere un tiempo hasta que el pegamento se derrita y fluya libremente desde la boquilla.
- Sosteniendo la pistola de pegamento con firmeza, coloque la boquilla cerca de la superficie donde se aplicará el pegamento.

**NOTA:** Si sostiene la pistola de pegamento demasiado lejos de la superficie objetivo puede aplicar pegamento en una superficie distinta a su pieza de trabajo o generar “hilos” de pegamento entre la pieza de trabajo y la boquilla.

- Tire del gatillo hasta que el pegamento fluya desde la boquilla. No aplique en exceso.

**NOTA:** Para un mejor control y consistencia en la aplicación, se recomienda usar dos dedos para tirar del gatillo.

- Cuando se haya aplicado la cantidad de pegamento deseada, suelte el gatillo. Incline la boquilla levemente hacia un lado y tire con cuidado de la boquilla lejos del objeto. Esto ayuda a evitar hilos de pegamento que cuelguen de la pieza de trabajo.

**NOTA:** La pistola de pegamento dejará de administrar pegamento cuando la barra de pegamento de la cámara ya esté prácticamente usada. Para recargar la cámara, coloque la pistola de pegamento hacia abajo e inserte otra barra de pegamento.

- Siempre coloque el interruptor de encendido/apagado en la posición de apagado cuando termine de usar la pistola de pegamento. Levante la bandeja de goteo ubicada debajo de la pistola de pegamento para capturar el goteo de pegamento mientras la pistola se enfría.
- Permita que la barra de pegamento y la boquilla de la pistola de pegamento se enfríen completamente antes de extraer el paquete de baterías.

# MANTENIMIENTO

## ADVERTENCIA:

Al dar servicio a la unidad, sólo utilice piezas de repuesto idénticas. El empleo de piezas diferentes podría causar un peligro o dañar el producto.

## MANTENIMIENTO GENERAL

Evite el empleo de solventes al limpiar piezas de plástico. La mayoría de los plásticos son susceptibles a diferentes tipos de solventes comerciales y pueden resultar dañados. Utilice paños limpios para eliminar la suciedad, el polvo, el aceite, la grasa, etc.

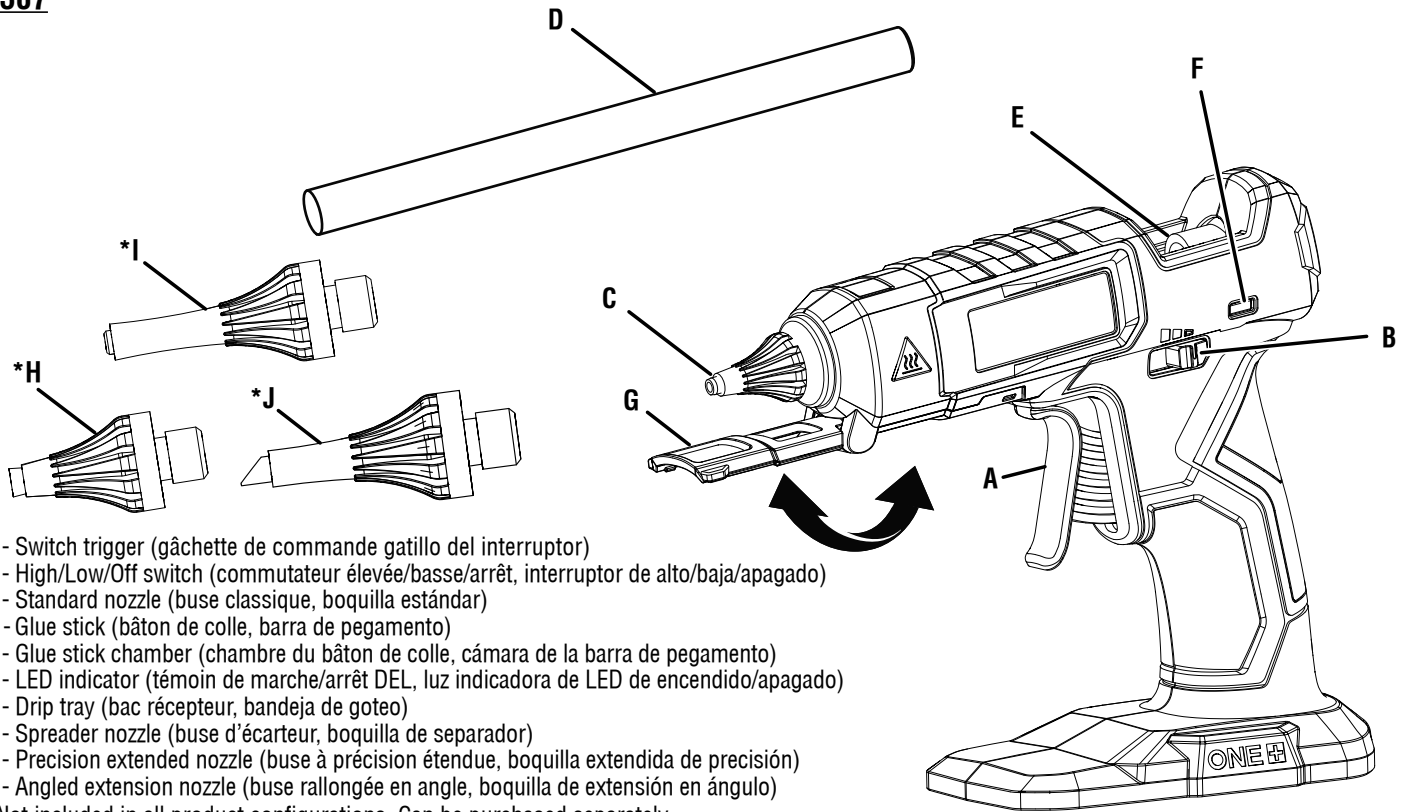
## ALMACENAMIENTO

Deje que la pistola de pegamento se enfríe completamente antes de guardarlo. Coloque el interruptor en la posición de apagado y retire el paquete de batería.

## ADVERTENCIA:

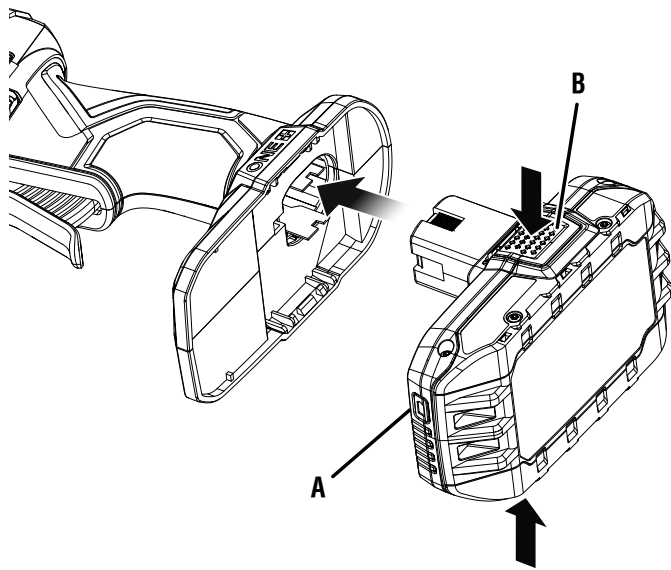
Retire siempre el paquete de baterías antes del almacenamiento para asegurarse de que el producto esté apagado. Espere al menos 30 minutos para el equipo se enfríe antes de guardarlo. Almacenar una pistola de pegamento con una boquilla caliente puede provocar quemaduras graves y/o encender objetos combustibles.

Para ayudar a evitar goteos y obstruye la próxima vez que se utiliza la pistola de pegamento, pegamento seco retire de la zona de la boquilla.



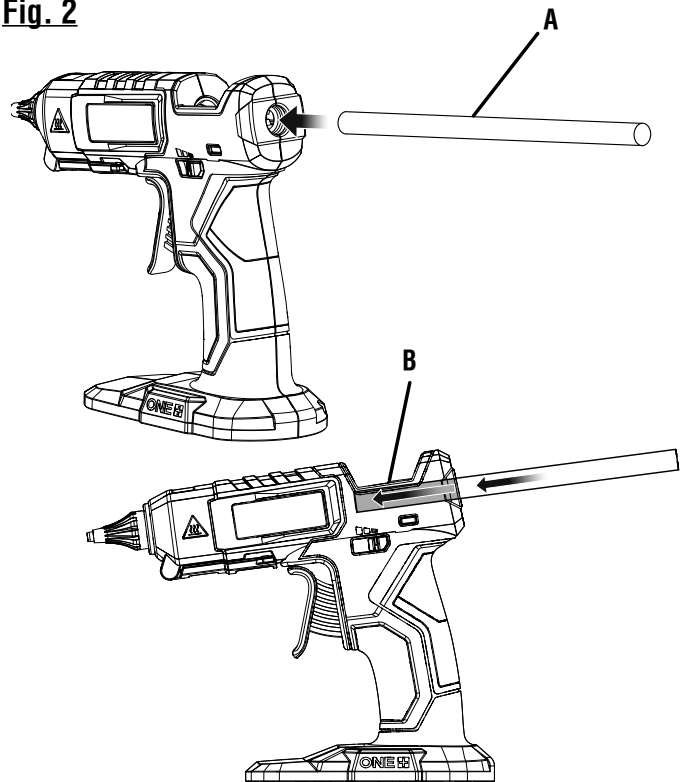
- A - Switch trigger (gâchette de commande gatillo del interruptor)
- B - High/Low/Off switch (commutateur élevée/basse/arrêt, interruptor de alto/baja/apagado)
- C - Standard nozzle (buse classique, boquilla estándar)
- D - Glue stick (bâton de colle, barra de pegamento)
- E - Glue stick chamber (chambre du bâton de colle, cámara de la barra de pegamento)
- F - LED indicator (témoin de marche/arrêt DEL, luz indicadora de LED de encendido/apagado)
- G - Drip tray (bac récepteur, bandeja de goteo)
- H - Spreader nozzle (buse d'écarteur, boquilla de separador)
- I - Precision extended nozzle (buse à précision étendue, boquilla extendida de precisión)
- J - Angled extension nozzle (buse rallongée en angle, boquilla de extensión en ángulo)
- \*Not included in all product configurations. Can be purchased separately.
- \*Non comprise dans toutes les configurations de produit. Peut être achetée séparément.
- \*No incluida en todas las configuraciones del producto. Se puede adquirir por separado.

**Fig. 1**



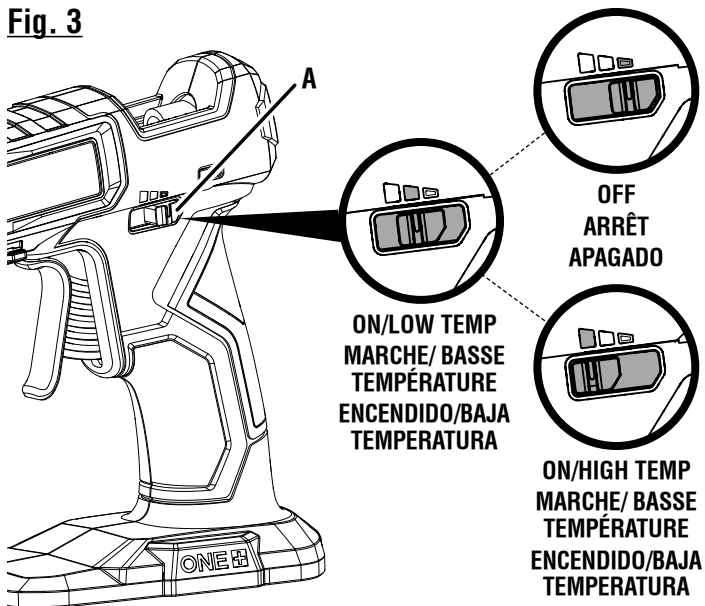
- A - Battery pack (bloc-pile, paquete de baterías)
- B - Depress latches to release battery pack (appuyer sur le loquet pour retirer le bloc-piles/para soltar el paquete de baterías oprima los pestillos)

**Fig. 2**



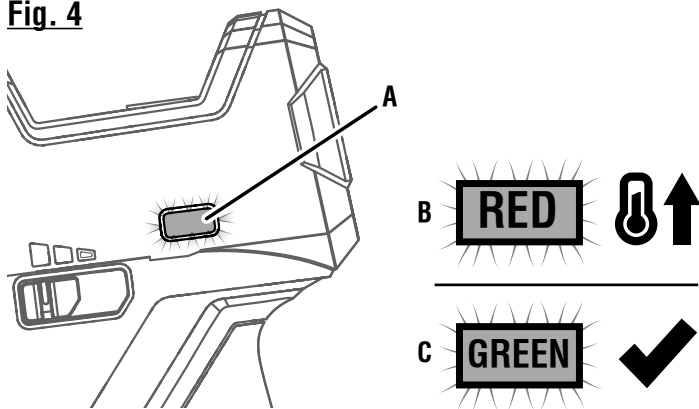
- A - Glue stick (1/2 in.) [(bâton de colle 11-12 mm (1/2 pulg.), barra de pegamento 11-12 mm (1/2 po.)]
- B - Glue stick chamber (chambre du bâton de colle, cámara de la barra de pegamento)

**Fig. 3**



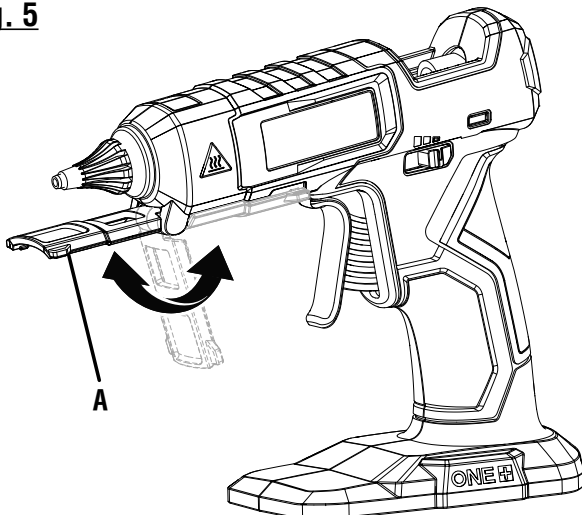
A - High/Low/Off switch (commutateur élevée/basse/arrêt, interruptor de alto/baja/apagado)

**Fig. 4**



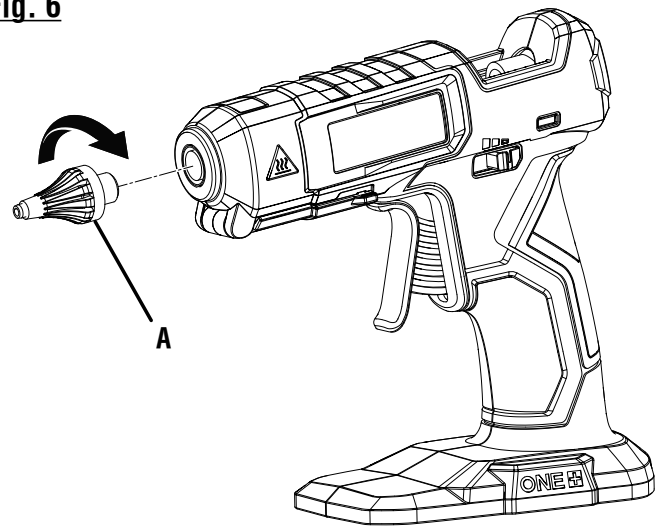
A - LED indicator (témoin de marche/arrêt DEL, luz indicadora de LED de encendido/apagado)  
B - Warming up (red) [chauffage (rouge), calentamiento (rojo)]  
C - Ready to use (green) [prêt à utiliser (vert), listo para usar (verde)]

**Fig. 5**



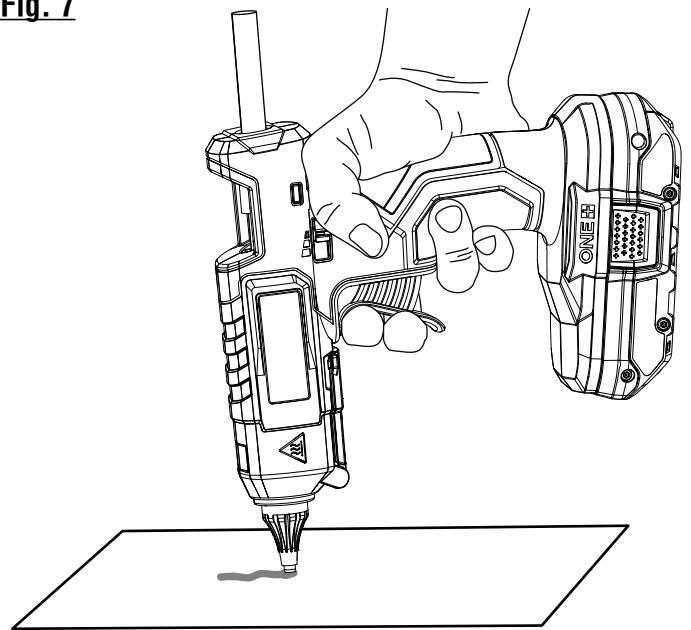
A - Drip tray (bac récepteur, bandeja de goteo)

**Fig. 6**



A - Standard nozzle (buse classique, boquilla estándar)

**Fig. 7**



**USE A PIECE OF PAPER OR OTHER MATERIAL TO PROTECT UNDERLYING SURFACE**

**UTILISER UN MORCEAU DE PAPIER OU DE MATÉRIAU POUR PROTÉGER LA SURFACE SE TROUVANT SOUS LE PISTOLET.**

**USE UN PEDAZO DE PAPEL U OTRO MATERIAL PARA PROTEGER LA SUPERFICIE SUBYACENTE**







## OPERATOR'S MANUAL / 18 VOLT GLUE GUN

MANUEL D'UTILISATION / PISTOLET À COLLE CHAUDE DE 18 V  
MANUAL DEL OPERADOR / PISTOLA DE PEGAMENTO DE 18 V

**P307**

To request service, purchase replacement parts,  
locate an Authorized Service Center or obtain Customer or Technical Support:  
Visit **www.ryobitools.com** or call **1-800-525-2579**

If any parts or accessories are damaged or missing, do not return this product to the store.  
Call **1-800-525-2579** for immediate service.

Please obtain your model and serial number from the product data plate.  
**This product is covered under a 3-year limited Warranty. Proof of purchase is required.**

MODEL NUMBER\* \_\_\_\_\_ SERIAL NUMBER \_\_\_\_\_

*\*Model number on product may have additional letters at the end. These letters designate manufacturing information and should be provided when calling for service.*

RYOBI is a trademark of Ryobi Limited and is used pursuant to a license granted by Ryobi Limited.

Pour faire une demande de réparations ou obtenir des pièces de rechange, trouver un  
Centre de réparations agréé pour obtenir un soutien technique ou le Service à la clientèle :  
Visiter **www.ryobitools.com** ou en téléphonant au **1-800-525-2579**

Si des pièces ou accessoires sont manquantes ou endommagées, ne pas retourner  
ce produit au magasin. Appeler immédiatement au **1-800-525-2579** pour obtenir de l'aide.

Inscrire les numéros de modèle et de série inscrits sur la plaque d'identification du produit.  
**Ce produit est couvert par une garantie limitée de trois (3) ans. Une preuve d'achat est exigée.**

NUMÉRO DE MODÈLE\* \_\_\_\_\_ NUMÉRO DE SÉRIE \_\_\_\_\_

*\*Le numéro de modèle sur le produit peut contenir des lettres supplémentaires à la fin. Ces lettres désignent les informations du fabricant et doivent être fournies lors d'un appel de demande de service.*

RYOBI est une marque de Ryobi Limited et est utilisée en vertu d'une licence accordée par Ryobi Limited.

Para obtener servicio, comprar piezas de repuesto, localizar un centro  
de servicio autorizado y obtener Servicio o Asistencia Técnica al Consumidor:  
Visite **www.ryobitools.com** o llame al **1-800-525-2579**

Si hay alguna pieza ou accesorios dañada o faltante, no devuelva este producto a la tienda.  
Llame al **1-800-525-2579** para servicio técnico inmediato.

Obtenga su modelo y número de serie de la placa de datos del producto.  
**Este producto está cubierto con una garantía limitada de 3 años. Se solicita prueba de la compra.**

NÚMERO DE MODELO\* \_\_\_\_\_ NÚMERO DE SERIE \_\_\_\_\_

*\*El número de modelo que figura en el producto podría tener letras adicionales al final. Estas designan información de fabricación y deben suministrarse cuando llame para obtener asistencia o servicio.*

RYOBI es una marca de Ryobi Limited y se utiliza conforme a una licencia otorgada por Ryobi Limited.

### ONE WORLD TECHNOLOGIES, INC.

P.O. Box 1288, Anderson, SC 29622 • Phone 1-800-525-2579  
États-Unis, Téléphone 1-800-525-2579 • USA, Teléfono 1-800-525-2579

**www.ryobitools.com**