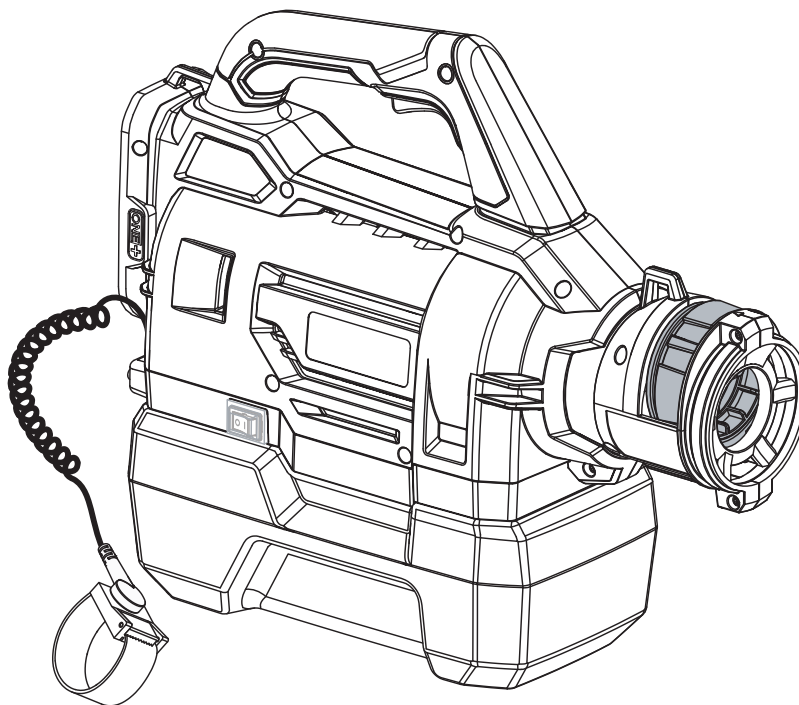


REPAIR SHEET

BRAND RYOBI		DESCRIPTION 18 Volt 1/2 Gal. Electrostatic Sprayer
MODEL NO. P2809 P2809VNM	MFG. NO. 107545001 108545001	

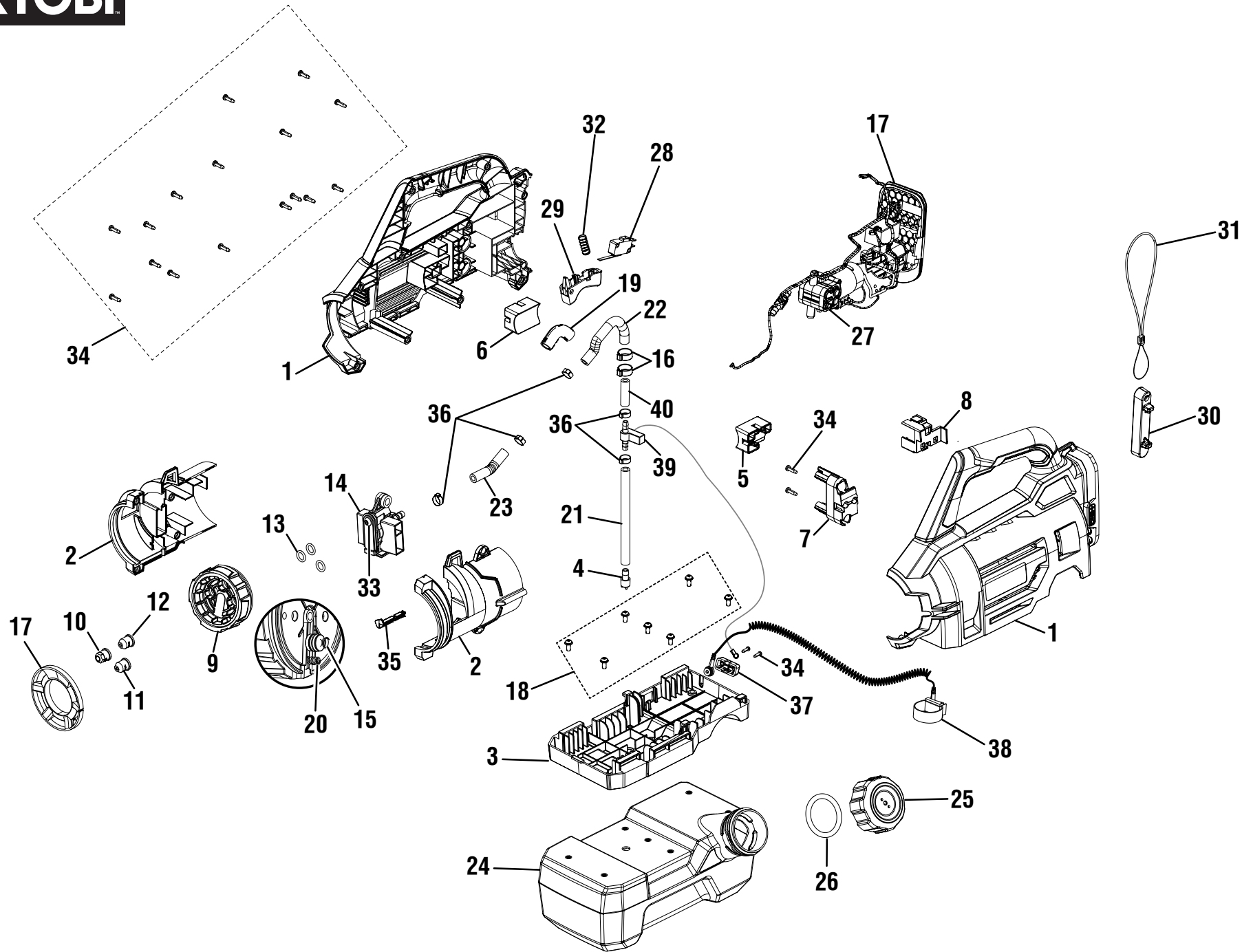


TECHTRONIC INDUSTRIES POWER EQUIPMENT

P.O. Box 1288, Anderson, SC 29622 ■ 1-800-525-2579 ■ www.ryobitools.com

5-20-21 (Rev:04)

The model number and manufacturing location will be found on a label attached to the product. Always mention this information in all communications regarding this product and when ordering parts.





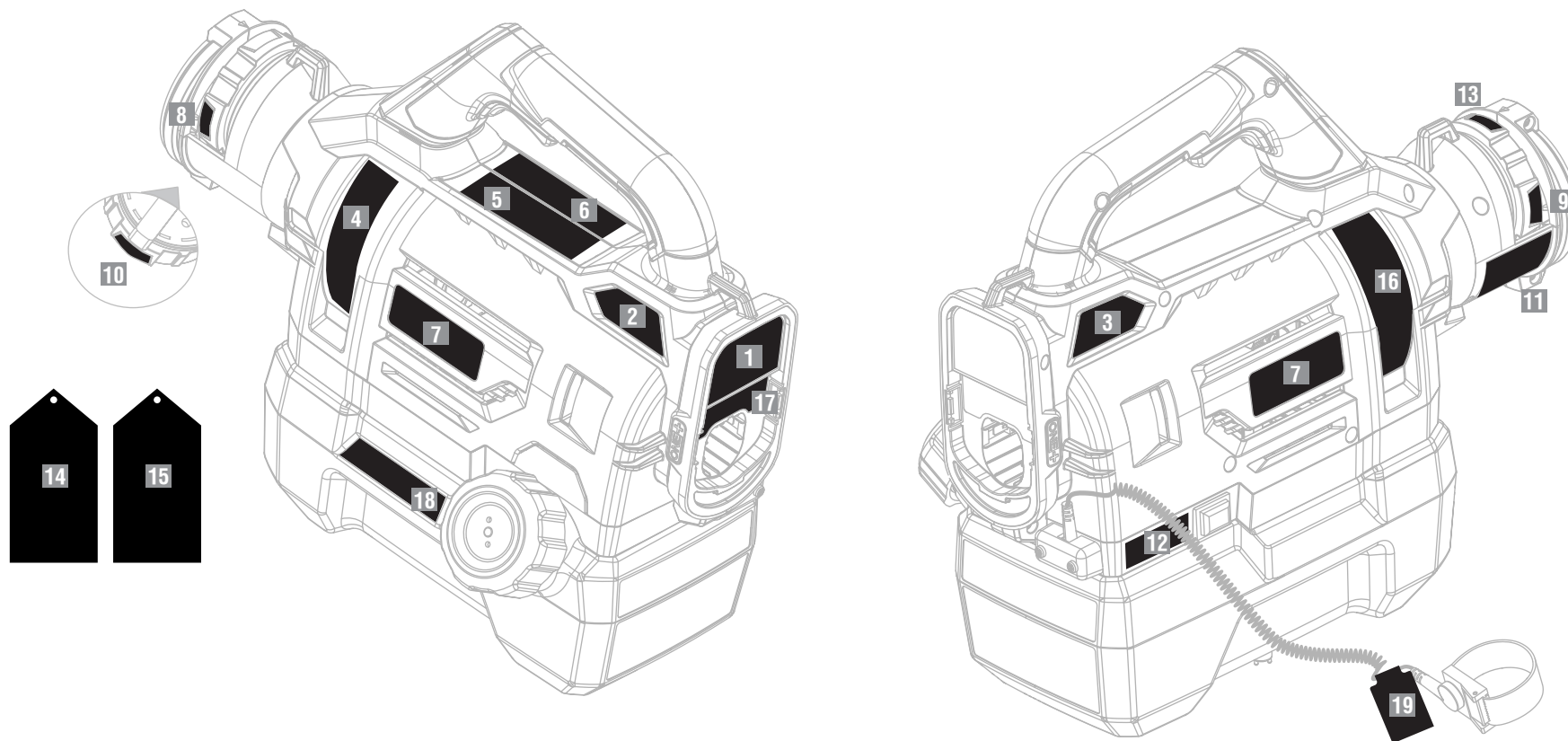
P2809/P2809VNM

PARTS LIST

KEY NO.	PART NO.	DESCRIPTION	QTY.
1	317178001	Housing Assembly (Inc. Labels)	1
2	316979001	Outlet Tube Assembly (Inc. Label)	1
3	317174001	Base Plate Assembly (Inc. 2 Key No. 34, Key Nos. 37-39 & Label)	1
4	317012001	Filter	1
5	565823001	Left Motor Support	1
6	565825001	Right Motor Support	1
7	542126001	Base for Pump	1
8	542118001	Base	1
9	316983001	Nozzle Dial Assembly (Inc. Labels)	1
10	316981001	Low Spray Nozzle Assembly (Inc. 1 Key No. 13 & Label)	1
11	316980001	Medium Spray Nozzle Assembly (Inc. 1 Key No. 13 & Label)	1
12	316982001	High Spray Nozzle Assembly (Inc. 1 Key No. 13 & Label)	1
13	565945001	O-Ring	3
14	317030001	Nozzle Body Assembly (Inc. Key Nos. 15, 20 & 33)	1
15	317027001	Piston Seal Assembly	1
16	635294005	Clamp	2
17	317177001	Motor & Battery Foot Assembly (P2809) (Inc. Key Nos. 27-28 & Label)	1
	317532001	Motor & Battery Foot Assembly (P2809VNM) (Inc. Key Nos. 27-28 & Label)	1
18	660502002	Screw w/Washer (M5 x 11.1 mm, Pan Hd.)	7
19	317028001	Pipe Shroud Assembly	1
20	317029001	Ball and Spring Assembly	1
21	535428001	Tube (Tank)	1

KEY NO.	PART NO.	DESCRIPTION	QTY.
22	535412002	Tube (Pump Outlet)	1
23	535412003	Tube (Barb Nozzle)	1
24	317175001	Tank Assembly (Inc. Key No. 25)	1
25	317176001	Tank Cap Assembly (Inc. Key No. 26)	1
26	565857001	O-Ring	1
27	316796003	Motor & Pump Assembly	1
28	760034006	Micro Switch	1
29	529209004	Switch Trigger	1
30	542326001	Nozzle Wrench	1
31	903073001	Cord	1
32	679002002	Compression Spring	1
33	663087001	Screw (M5)	1
34	661817001	Screw (M4 x 13.5 mm, Torx T15 Pan Hd.)	20
35	542335001	Wire Cover	1
36	699050001	Clamp	5
37	542844001	Wrist Strap Cover	1
38	292256002	Wrist Strap	1
39	317327001	Electrode	1
40	535427001	Tube (Pump Inlet)	1
	Not Shown:		
	998000322	Operator's Manual	
	316973001	3-N-1 Nozzle Assembly (Inc. Key Nos. 9-13)	

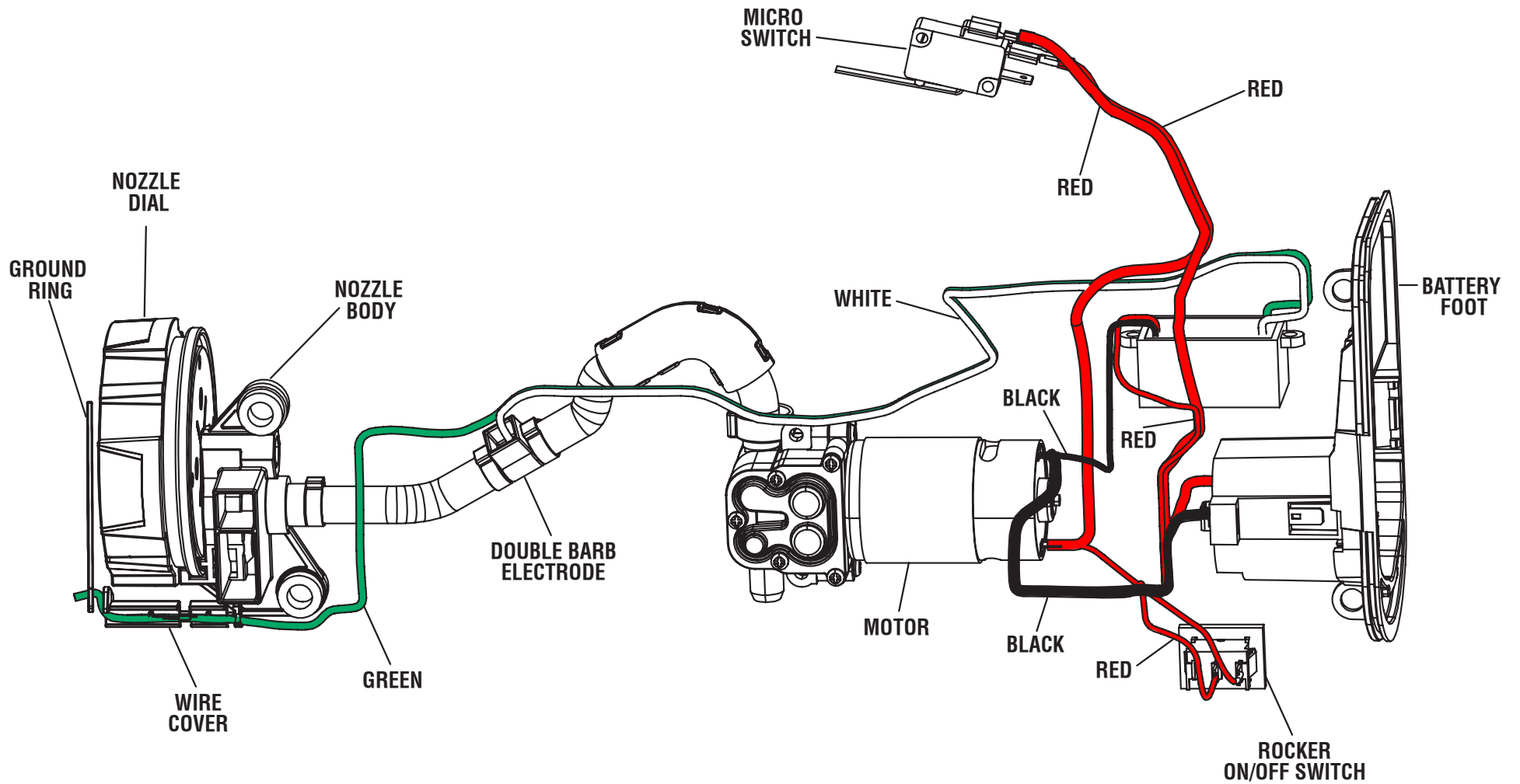
Labels Shown On Next Page



LABELS

KEY NO.	PART NO.	DESCRIPTION	QTY.
1	941588787	Data Label (Foot, P2809)	1
	941588949	Data Label (Foot, P2809VNM)	1
2	941588748	18V Label (Left)	1
3	941588747	18V Label (Right)	1
4	941588749	Electrostatic Logo Label (Left)	1
5	941588750	Warning/Icon Label	1
6	941588752	Warning Label	1
7	940705495	Logo Label	2
8	941588753	High Spray Nozzle Label	1
9	941588754	Low Spray Nozzle Label	1

KEY NO.	PART NO.	DESCRIPTION	QTY.
10	941588755	Medium Spray Nozzle Label	1
11	941588764	Caution Label	1
12	941588765	ES On/Off Label	1
13	941588766	Remove/Eject Puck Label	1
14	918013104	Cleaning Nozzle Reference Guide Hang Tag (EN/FR/SP)	1
15	918013103	Cleaning Nozzle Reference Guide Hang Tag (PORT)	1
16	941588767	Electrostatic Logo Label (Right)	1
17	941588788	Clean Tank and Lines Label	1
18	941588307	Max Fill Line Label	1
19	941588849	Anti-Static Cord Wrap	1



WIRING DIAGRAM