

REPAIR SHEET

BRAND

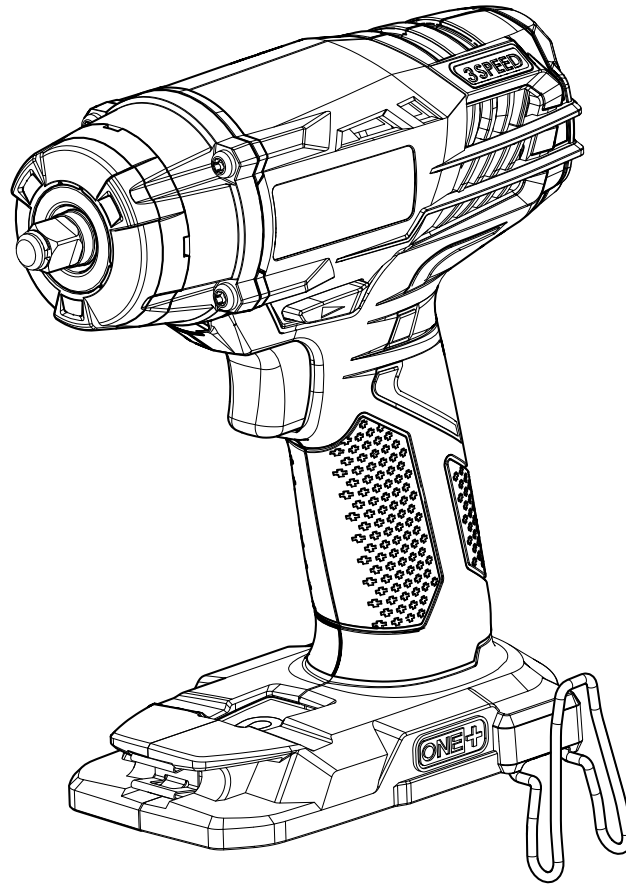
RYOBI

DESCRIPTION

18 Volt Impact Wrench

MODEL NO.

P263

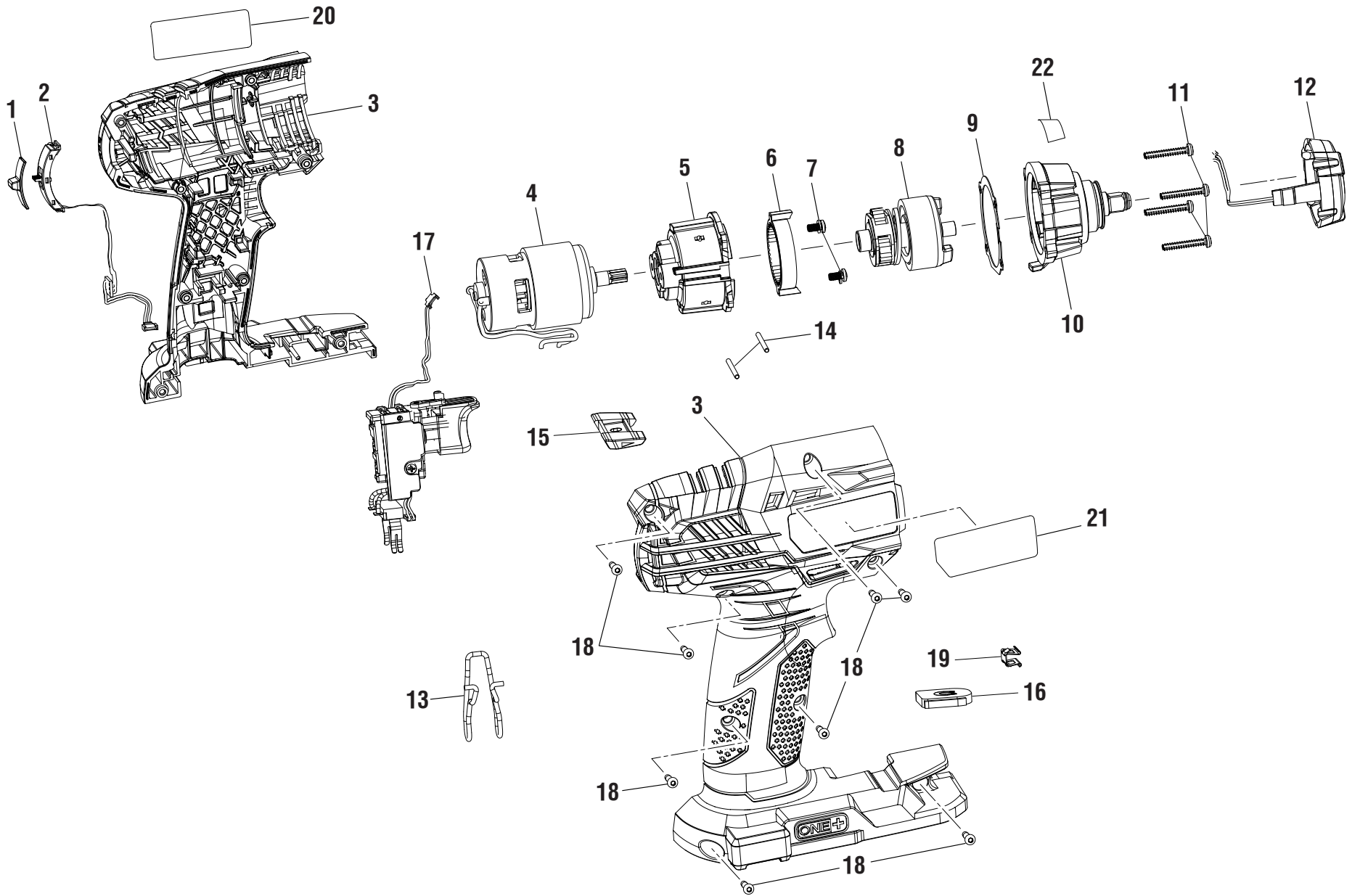


ONE WORLD TECHNOLOGIES, INC.

P.O. Box 1288, Anderson, SC 29622 ■ 1-800-525-2579 ■ www.ryobitools.com

6-2-21 (Rev:02)

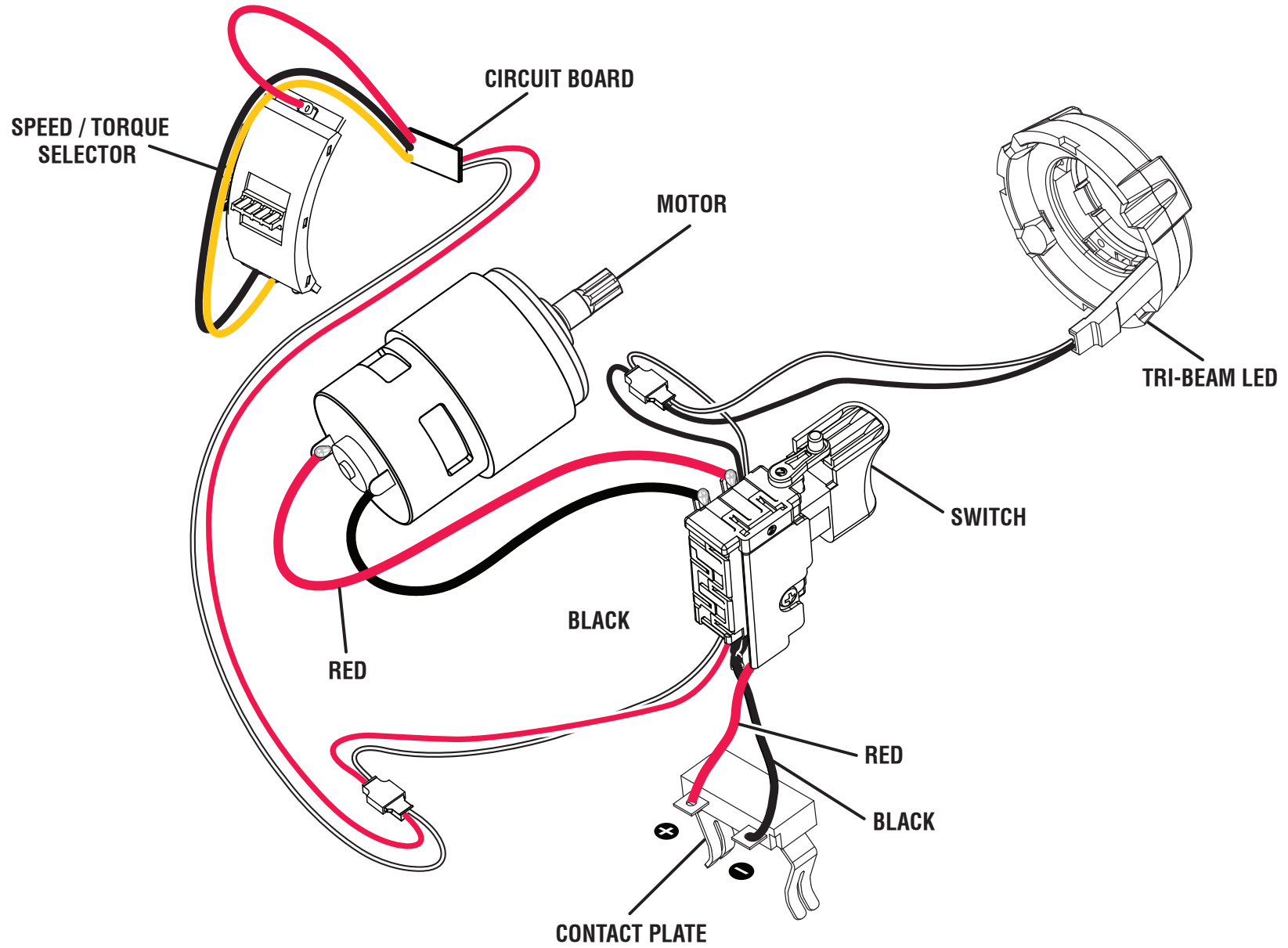
The model number and manufacturing location will be found on a label attached to the product. Always mention this information in all communications regarding this product and when ordering parts.



PARTS LIST

KEY NO.	PART NO.	DESCRIPTION	QTY.
1	529480001	3-Speed Button	1
2	760535004	3-Speed Switch	1
3-CN	203956002	Housing Assembly (Inc. Key Nos. 20-21)	1
3-VN	203956006	Housing Assembly (Inc. Key Nos. 20-21)	1
4-CN	206956003	Motor Assembly	1
4-VN	206956005	Motor Assembly	1
5-CN	202720001	Inner Gear Case w/Bushing Assembly	1
5-VN	203956008	Inner Gear Case w/Bushing Assembly	1
6	610449039	Ring Gear	1
7	662895001	Screw w/Washer (M4 x 8, T20 Torx Pan Hd.)	2
8	202654002	Cam Shaft w/Hammer Assembly	1
9	902807001	Fiber Sealing Plate	1
10-CN	203956003	Front Gear Case Assembly (Inc. Key No. 22)	1
10-VN	203956007	Front Gear Case Assembly (Inc. Key No. 22)	1
11	660436005	Screw (M4 x 25.4 mm, T20 Torx Pan Hd.)	4
12-CN	291207002	LED Assembly	1
12-VN	291207008	LED Assembly	1

KEY NO.	PART NO.	DESCRIPTION	QTY.
13	696626001	Belt Clip	1
14	680334036	Pin (Dia 2.5 x 27.5)	2
15	523179001	Forward/Reverse Button	1
16	303001052	Magnet Assembly	1
17	203736004	Main Switch Assembly	1
18	660031017	Screw (M3.5 x 16 mm, T10 Torx Pan Hd.)	8
19	630206007	Bit Clip	1
20	940114178	Logo Label	1
21-CN	941122115	Data Label	1
21-VN	941122760	Data Label	1
22	940221063	Warning Label	1
	Not Shown:		
	995000681	Operator's Manual (CN – 961152997) (VN – 961153182)	



WIRING DIAGRAM