



OPERATOR'S MANUAL

MANUEL D'UTILISATION MANUAL DEL OPERADOR

18 VOLT POLE HEDGE TRIMMER

TAILLE-HAIES DE MANCHE 18 V

PODADORA DE SETOS DE PÉRTIGA DE 18 V

P26010

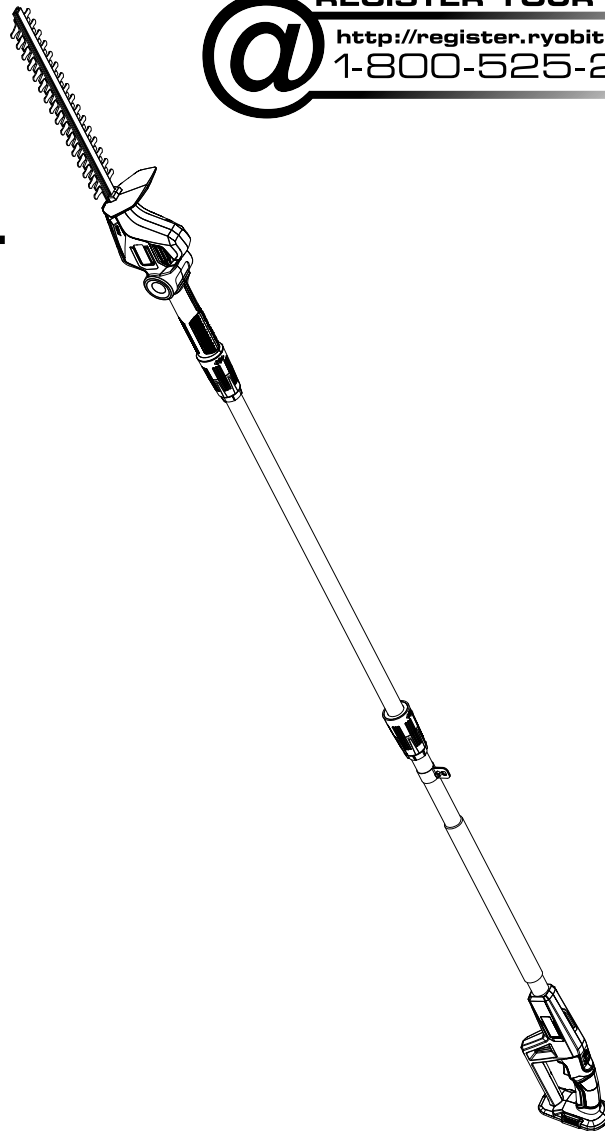


TABLE OF CONTENTS

- General Power Tool Safety Warnings..... 2-3
- Hedge Trimmer Safety Warnings 3-4
- Symbols 5-6
- Features 6
- Assembly 7-8
- Operation 8-9
- Maintenance 10-11
- Parts Ordering/Service..... Back Page

TABLE DES MATIÈRES

- Instructions de sécurité générales pour outils électriques.... 2-3
- Avertissements de sécurité pour la taille-haies..... 3-4
- Symboles 5-6
- Caractéristiques 6
- Assemblage 7-8
- Utilisation 8-9
- Entretien 10-11
- Commande de pièces/ réparation..... Page arrière

ÍNDICE DE CONTENIDO

- Advertencias de seguridad para herramientas eléctricas..... 2-3
- Advertencias de seguridad de la podadora de setos 3-4
- Símbolos 5-6
- Características 6
- Armado 7-8
- Funcionamiento 8-9
- Mantenimiento 10-11
- Pedidos de piezas/ servicio..... Pág. posterior

⚠ WARNING: To reduce the risk of injury, the user must read and understand the operator's manual before using this product.

⚠ AVERTISSEMENT : Pour réduire les risques de blessures, l'utilisateur doit lire et veiller à bien comprendre le manuel d'utilisation avant d'employer ce produit.

⚠ ADVERTENCIA: Para reducir el riesgo de lesiones, el usuario debe leer y comprender el manual del operador antes de usar este producto.

SAVE THIS MANUAL FOR FUTURE REFERENCE

CONSERVER CE MANUEL POUR FUTURE RÉFÉRENCE

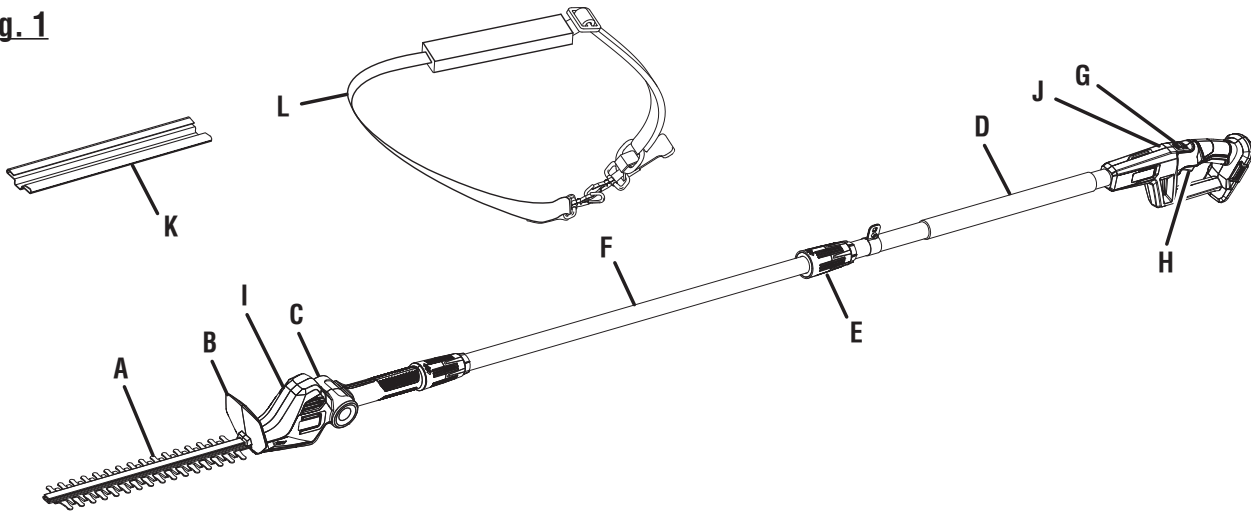
GUARDE ESTE MANUAL PARA FUTURAS CONSULTAS

See this fold-out section for all of the figures referenced in the operator's manual.

Consulter l'encart à volets afin d'examiner toutes les figures mentionnées dans le manuel d'utilisation.

Consulte esta sección desplegable para ver todas las figuras a las que se hace referencia en el manual del operador.

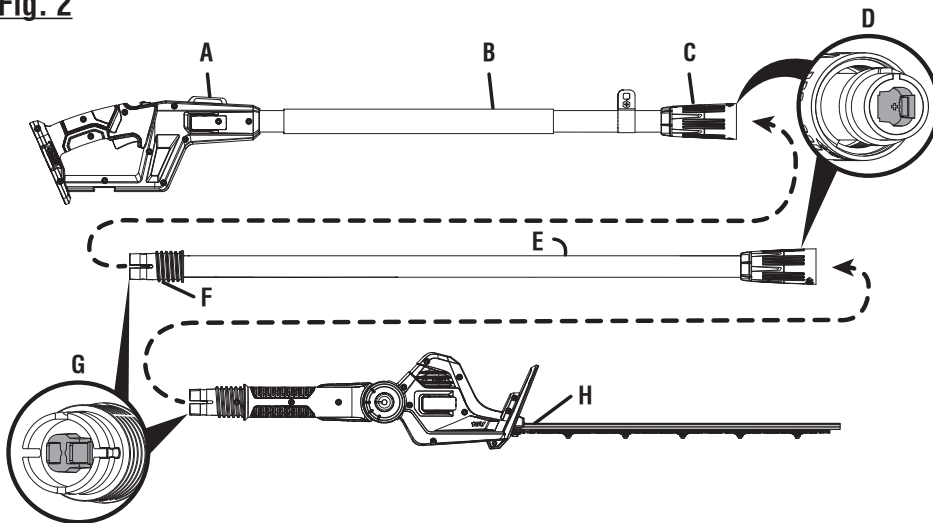
Fig. 1



- A - Blades (lames, cuchilla)
- B - Guard (garde, protección)
- C - Four-position pivoting head (tête pivotante à quatre positions, cabezal pivotante en cuatro posiciones)
- D - Front handle (poignée avant, mango delantero)
- E - Collar (collet, collar)
- F - Intermediate shaft (arbre intermédiaire, eje intermedia)

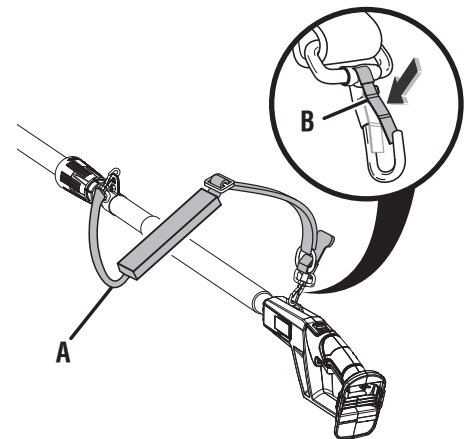
- G - Lock-out (verrouillage, seguro)
- H - Switch trigger (gâchette, gatillo del interruptor)
- I - Hedge trimmer head (tête du taille-haie, cabezal de podadora de setos)
- J - Power handle (manche électrique, mango eléctrico)
- K - Blade cover (fourreau de lame, cubierta de la hoja)
- L - Shoulder harness (bandoulière, sección del arnés para los hombros)

Fig. 2



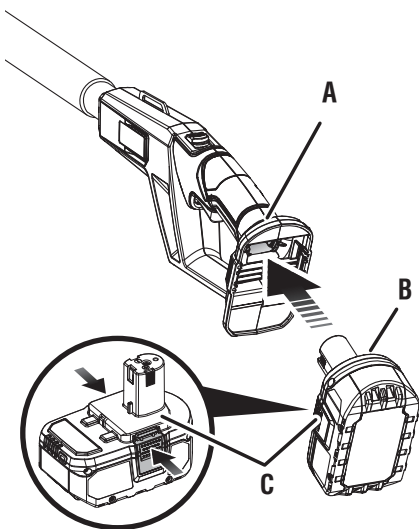
- A - Power handle (manche électrique, mango eléctrico)
- B - Front handle (poignée avant, mango delantero)
- C - Collar (collet, collar)
- D - Socket (douille, toma)
- E - Intermediate pole (tige intermédiaire, barra intermedia)
- F - Threaded Base (base filetée, base roscada)
- G - Plug (bouchon, enchufe)
- H - Hedge trimmer head (tête du taille-haie, cabezal de podadora de setos)

Fig. 3



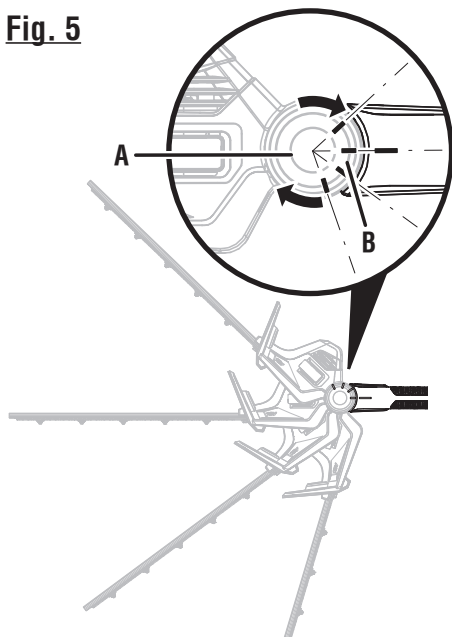
- A - Shoulder harness (bandoulière, sección del arnés para los hombros)
- B - Latch (loquet, pestillo)

Fig. 4



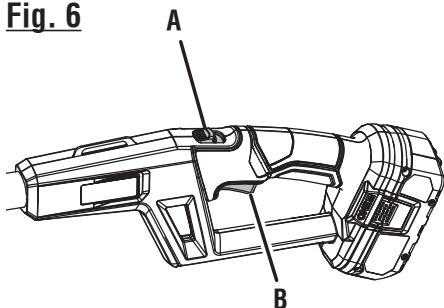
- A - Battery port (logement de batteries, receptáculo para baterías)
B - Battery pack (bloc-piles, paquete de baterías)
C - Latch (loquet, pestillo)

Fig. 5



- A - Pivot button (bouton de pivot, botón del pivote)
B - Notches (enches, muescas)

Fig. 6



- A - Lock-out (verrouillage, seguro)
B - Switch trigger (gâchette, gatillo del interruptor)

Fig. 7

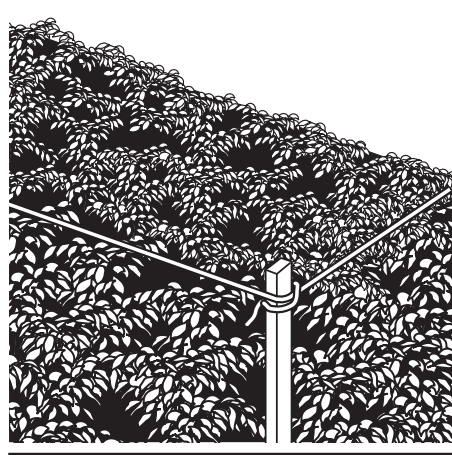


Fig. 8

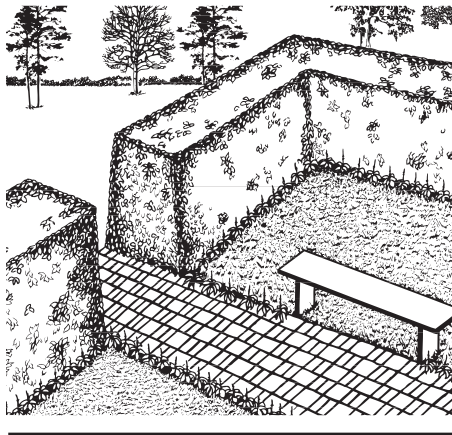


Fig. 9



Fig. 10

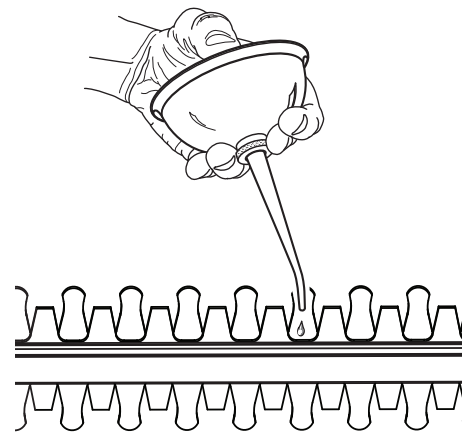
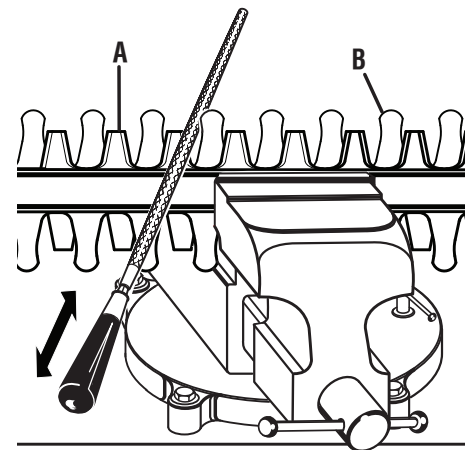
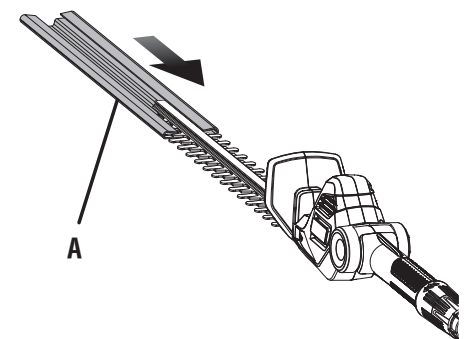


Fig. 11



- A - Cutting teeth (dents de coupe, dientes de corte)
B - Guard teeth (dents de coupe, dientes de protección)

Fig. 12



- A - Blade cover (fourreau de lame, cubierta de la hoja)

GENERAL POWER TOOL SAFETY WARNINGS



WARNING:

Read all safety warnings and all instructions. Failure to follow the warnings and instructions may result in electric shock, fire and/or serious injury.

Save all warnings and instructions for future reference. The term “power tool” in the warnings refers to your mains-operated (corded) power tool or battery-operated (cordless) power tool.

WORK AREA SAFETY

- **Keep work area clean and well lit.** Cluttered or dark areas invite accidents.
- **Do not operate power tools in explosive atmospheres, such as in the presence of flammable liquids, gases or dust.** Power tools create sparks which may ignite the dust or fumes.
- **Keep children and bystanders away while operating a power tool.** Distractions can cause you to lose control.

ELECTRICAL SAFETY

- **Power tool plugs must match the outlet. Never modify the plug in any way. Do not use any adapter plugs with earthed (grounded) power tools.** Unmodified plugs and matching outlets will reduce risk of electric shock.
- **Avoid body contact with earthed or grounded surfaces such as pipes, radiators, ranges and refrigerators.** There is an increased risk of electric shock if your body is earthed or grounded.
- **Do not expose power tools to rain or wet conditions.** Water entering a power tool will increase the risk of electric shock.
- **Do not abuse the cord. Never use the cord for carrying, pulling or unplugging the power tool. Keep cord away from heat, oil, sharp edges or moving parts.** Damaged or entangled cords increase the risk of electric shock.
- **When operating a power tool outdoors, use an extension cord suitable for outdoor use.** Use of a cord suitable for outdoor use reduces the risk of electric shock.
- **If operating a power tool in a damp location is unavoidable, use a ground fault circuit interrupter (GFCI) protected supply.** Use of a GFCI reduces the risk of electric shock.

PERSONAL SAFETY

- **Stay alert, watch what you are doing and use common sense when operating a power tool. Do not use a power tool while you are tired or under the influence of drugs, alcohol or medication.** A moment of inattention while operating power tools may result in serious personal injury.

- **Use personal protective equipment. Always wear eye protection.** Protective equipment such as dust mask, non-skid safety shoes, hard hat, or hearing protection used for appropriate conditions will reduce personal injuries.
- **Prevent unintentional starting. Ensure the switch is in the off-position before connecting to power source and/or battery pack, picking up or carrying the tool.** Carrying power tools with your finger on the switch or energising power tools that have the switch on invites accidents.
- **Remove any adjusting key or wrench before turning the power tool on.** A wrench or a key left attached to a rotating part of the power tool may result in personal injury.
- **Do not overreach. Keep proper footing and balance at all times.** This enables better control of the power tool in unexpected situations.
- **Dress properly. Do not wear loose clothing or jewellery. Keep your hair, clothing and gloves away from moving parts.** Loose clothes, jewellery or long hair can be caught in moving parts.
- **If devices are provided for the connection of dust extraction and collection facilities, ensure these are connected and properly used.** Use of dust collection can reduce dust-related hazards.
- **Do not let familiarity gained from frequent use of tools allow you to become complacent and ignore tool safety principles.** A careless action can cause severe injury within a fraction of a second.

POWER TOOL USE AND CARE

- **Do not force the power tool. Use the correct power tool for your application.** The correct power tool will do the job better and safer at the rate for which it was designed.
- **Do not use the power tool if the switch does not turn it on and off.** Any power tool that cannot be controlled with the switch is dangerous and must be repaired.
- **Disconnect the plug from the power source and/or the battery pack from the power tool before making any adjustments, changing accessories, or storing power tools.** Such preventive safety measures reduce the risk of starting the power tool accidentally.
- **Store idle power tools out of the reach of children and do not allow persons unfamiliar with the power tool or these instructions to operate the power tool.** Power tools are dangerous in the hands of untrained users.
- **Maintain power tools. Check for misalignment or binding of moving parts, breakage of parts and any other condition that may affect the power tool's operation. If damaged, have the power tool repaired before use.** Many accidents are caused by poorly maintained power tools.

GENERAL POWER TOOL SAFETY WARNINGS

- **Keep cutting tools sharp and clean.** Properly maintained cutting tools with sharp cutting edges are less likely to bind and are easier to control.
- **Use the power tool, accessories and tool bits etc., in accordance with these instructions, taking into account the working conditions and the work to be performed.** Use of the power tool for operations different from those intended could result in a hazardous situation.
- **Keep handles and grasping surfaces dry, clean and free from oil and grease.** Slippery handles and grasping surfaces do not allow for safe handling and control of the tool in unexpected situations.

BATTERY TOOL USE AND CARE

- **Recharge only with the charger specified by the manufacturer.** A charger that is suitable for one type of battery pack may create a risk of fire when used with another battery pack.
- **Use power tools only with specifically designated battery packs.** Use of any other battery packs may create a risk of injury and fire.
- **When battery pack is not in use, keep it away from other metal objects, like paper clips, coins, keys, nails, screws or other small metal objects, that can make a connection from one terminal to another.** Shorting the battery terminals together may cause burns or a fire.

- **Under abusive conditions, liquid may be ejected from the battery; avoid contact. If contact accidentally occurs, flush with water. If liquid contacts eyes, additionally seek medical help.** Liquid ejected from the battery may cause irritation or burns.
- **Do not use a battery pack or tool that is damaged or modified.** Damaged or modified batteries may exhibit unpredictable behaviour resulting in fire, explosion or risk of injury.
- **Do not expose a battery pack or tool to fire or excessive temperature.** Exposure to fire or temperature above 265°F may cause explosion.
- **Follow all charging instructions and do not charge the battery pack or tool outside the temperature range specified in the instructions.** Charging improperly or at temperatures outside the specified range may damage the battery and increase the risk of fire.

SERVICE

- **Have your power tool serviced by a qualified repair person using only identical replacement parts.** This will ensure that the safety of the power tool is maintained.
- **Never service damaged battery packs.** Service of battery packs should only be performed by the manufacturer or authorized service providers.

HEDGE TRIMMER SAFETY WARNINGS

- **Keep all parts of the body away from the cutter blade. Do not remove cut material or hold material to be cut when blades are moving. Make sure the switch is off when clearing jammed material. Blades coast after turn off.** A moment of inattention while operating the hedge trimmer may result in serious personal injury.
- **Carry the hedge trimmer by the handle with the cutter blade stopped.** Proper handling of the hedge trimmer will reduce possible personal injury from the cutter blades.
- **When transporting or storing the hedge trimmer, always fit the blade cover.** Proper handling of the hedge trimmer will decrease the risk of personal injury from the blades.
- **When clearing jammed material or servicing the unit, make sure all power switches are off and the battery pack is removed or disconnected.** Unexpected actuation of the hedge trimmer while clearing jammed material or servicing may result in serious personal injury.
- **Keep all power cords and cables away from cutting area.** Power cords or cables may be hidden in hedges or bushes and can be accidentally cut by the blade.
- **Do not use the hedge trimmer in bad weather conditions, especially when there is a risk of lightning.** This decreases the risk of being struck by lightning.
- **Hold the power tool by insulated gripping surfaces only, because the cutter blade may contact hidden wiring or its own cord.** Cutter blades contacting a “live” wire may make exposed metal parts of the power tool “live” and could give the operator an electric shock.
- **DANGER — Keep hands away from blade.** Contact with blade will result in serious personal injury.
- **WARNING — Only use with handle and guard properly assembled to hedge trimmer.** The use of the hedge trimmer without the proper guard or handle provided may result in serious personal injury.

HEDGE TRIMMER SAFETY WARNINGS

EXTENDED-REACH HEDGE TRIMMER SAFETY WARNINGS




- **To reduce the risk of electrocution, never use the extended reach hedge trimmer near any electrical power lines.** Contact with or use near power lines may cause serious injury or electric shock resulting in death.
- **Always use two hands when operating the extended-reach hedge trimmer.** Hold the extended-reach hedge trimmer with both hands to avoid loss of control.
- **Always use head protection when operating the extended reach hedge trimmer overhead.** Falling debris can result in serious personal injury.

ADDITIONAL SAFETY RULES







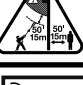



- **Do not wear loose clothing or jewelry. Contain long hair.** Loose clothes, jewelry, or long hair can be drawn into air vents.
- **Do not use on a ladder, rooftop, or unstable support.** Stable footing on a solid surface enables better control of the power tool in unexpected situations.
- **Wear heavy, long pants, long sleeves, boots, and gloves.** Do not wear loose fitting clothing, short pants, sandals, or go barefoot. Do not wear jewelry of any kind.
- **Use both hands when operating the hedge trimmer.** Using one hand could cause loss of control and result in serious personal injury.
- Before starting the hedge trimmer, make sure the blade is not in contact with any object.
- Stop the unit, remove the battery pack, and make sure the blade has stopped before setting the unit down.
- Never cut any material with a diameter larger than 5/8 in.
- **Clear the area to be cut before each use.** Remove all objects such as cords, lights, wire, or loose string which can become entangled in the cutting blade and create a risk of serious personal injury.
- Always stop the motor when cutting is delayed or when walking from one cutting location to another.
- Keep unit clean of grass clippings and other materials. They may become lodged in the cutting blades.
- If hedge trimmer is equipped with a debris remover, do not use the debris remover as a gripping surface.
- Store the unit inside in a dry place, either locked up or up high to prevent unauthorized use or damage. Keep out of the reach of children or untrained individuals.
- Replace blade cover when unit is not in use.
- Never douse or squirt the unit with water or any other liquid. Keep handles dry, clean, and free from debris. Clean after each use; see storage instructions.
- Secure the unit while transporting.
- Battery operated units do not have to be plugged into an electrical outlet; therefore, they are always in operating condition. Be aware of possible hazards even when unit is not operating.
- Remove the battery pack before making any adjustments, cleaning, storing, or removing material from the unit, or when not in use.
- **When transporting or storing the hedge trimmer always fit the cutting device cover.**
- **Keep cable away from cutting area.** During operation the cable may be hidden in shrubs and can be accidentally cut by the blade.
- Wear eye protection with side shields, which is marked to comply with ANSI Z87.1 when operating this product. Wear head protection when operating this product above shoulder level. Following this rule will reduce the risk of serious personal injury.
- Keep all bystanders, children, and pets at least 50 feet away. Bystanders should be encouraged to wear eye protection.
- In an emergency situation, use the spring clips on the quick release shoulder harness to free yourself from the harness and the hedge trimmer.
- Never use water or any liquids to clean or rinse off your product and do not expose the product to rain or wet conditions. Store indoors in a dry area. Corrosive liquids, water, and chemicals can enter the product's electronic components and/or battery compartment and damage electronic components and/or the battery pack, which can result in a short circuit, increased risk of fire, and serious personal injury. Remove any buildup of dirt and debris by wiping the product clean with a dry cloth occasionally.
- Use this product only with batteries and chargers listed in tool/appliance/battery pack/charger correlation supplement 988000-842.
- Save these instructions. Refer to them frequently and use them to instruct others who may use this tool. If you loan someone this tool, loan them these instructions also.

SYMBOLS

The following signal words and meanings are intended to explain the levels of risk associated with this product.




SYMBOL	SIGNAL	MEANING
	DANGER:	Indicates a hazardous situation, which, if not avoided, will result in death or serious injury.
	WARNING:	Indicates a hazardous situation, which, if not avoided, could result in death or serious injury.
	CAUTION:	Indicates a hazardous situation, that, if not avoided, may result in minor or moderate injury.
	NOTICE:	(Without Safety Alert Symbol) Indicates information considered important, but not related to a potential injury (e.g. messages relating to property damage).

Some of the following symbols may be used on this product. Please study them and learn their meaning. Proper interpretation of these symbols will allow you to operate the product better and safer.

SYMBOL	NAME	EXPLANATION
	Safety Alert Symbol	Indicates a potential personal injury hazard.
	Read Operator's Manual	To reduce the risk of injury, user must read and understand operator's manual before using this product.
	Wear Eye and Head Protection	Always wear eye protection with side shields marked to comply with ANSI Z87.1, along with head protection.
	Wet Conditions Alert	Do not expose battery, battery compartment, or electronic components to rain, water, or liquids. Do not charge battery or expose product to rain or damp locations.
	Gloves	Wear non-slip, heavy-duty protective gloves when handling the blades.
	Safety Footwear	Wear non-slip safety footwear when using this equipment.
	Keep Tool Away from Electrical Lines/Keep Bystanders Away	DANGER! Risk of electrocution! Keep tool 50 feet away from electrical lines. Keep all bystanders at least 50 ft. away.
	Electric Shock	Failure to use in dry conditions and to observe safe practices can result in electric shock.
	No Hands Symbol	Failure to keep your hands away from the blade will result in serious personal injury.
	Operate With Two Hands	Hold and operate the hedge trimmer properly with both hands.

SYMBOLS

Some of the following symbols may be used on this product. Please study them and learn their meaning. Proper interpretation of these symbols will allow you to operate the product better and safer.

SYMBOL	NAME	EXPLANATION
	Moving Parts	Keep hands away from moving parts.
	Recycle Symbol	This product uses lithium-ion (Li-ion) batteries. Local, state, or federal laws may prohibit disposal of batteries in ordinary trash. Consult your local waste authority for information regarding available recycling and/or disposal options.
V	Volts	Voltage
hrs	Hours	Time
	Direct Current	Type or a characteristic of current
n_0	No Load Speed	Rotational speed, at no load
.../min	Per Minute	Revolutions, strokes, surface speed, orbits etc., per minute

FEATURES

PRODUCT SPECIFICATIONS

Motor 18 V DC
 Blade Length 18 in.

Cutting Capacity 5/8 in.
 Cutting Speed 3,000 cuts/min.

KNOW YOUR HEDGE TRIMMER

See Figure 1.

The safe use of this product requires an understanding of the information on the tool and in this operator's manual as well as a knowledge of the project you are attempting. Before use of this product, familiarize yourself with all operating features and safety rules.

BLADE COVER

The blade cover keeps the operator from coming in contact with the sharp blades when the tool is not in use. It also helps keep the blades from being nicked or damaged when the tool is in storage.

GUARD

The guard helps to deflect chips or other debris away from the operator's hands.

LOCK-OUT

The lock-out prevents accidental starting.

FOUR-POSITION PIVOTING HEAD

The hedge trimmer head can be adjusted with the pivot button.

ASSEMBLY

UNPACKING

This product requires assembly.

- Carefully remove the product and any accessories from the box. Make sure that all items listed in the **Packing List** are included.

WARNING:

Do not use this product if any parts in the **Packing List** are already assembled to your product when you unpack it. Parts on this list are not assembled to the product by the manufacturer and require customer installation. Use of a product that may have been improperly assembled could result in serious personal injury.

- Inspect the product carefully to make sure no breakage or damage occurred during shipping.
- Do not discard the packing material until you have carefully inspected and satisfactorily operated the product.
- If any parts are damaged or missing, please call 1-800-525-2579 for assistance.

PACKING LIST

Hedge Trimer Head
Intermediate Shaft
Power Handle
Blade Cover
Shoulder Harness
Operator's Manual

WARNING:

If any parts are damaged or missing do not operate this product until the parts are replaced. Use of this product with damaged or missing parts could result in serious personal injury.

WARNING:

Do not attempt to modify this product or create accessories not recommended for use with this product. Any such alteration or modification is misuse and could result in a hazardous condition leading to possible serious personal injury.

WARNING:

To prevent accidental starting that could cause serious personal injury, always remove the battery pack from the product when assembling parts.

WARNING:

Hedge trimmer blades are extremely sharp. Do not remove the blade cover until the hedge trimmer is fully assembled and ready to use. Always use caution when removing the blade cover. Failure to comply could result in possible serious personal injury.

CONNECTING THE POLES

See Figure 2.

- Insert the plug on the intermediate pole into the socket on the power handle and push together until fully seated. The plug is larger on one side and will only install one way.
- Push the collar on the power handle to the threaded base on the intermediate pole and rotate clockwise to secure.
- Repeat this process to attach the intermediate pole to the hedge trimmer head. Be careful to avoid cross-threading.

NOTE: When assembled correctly, power handle and hedge trimmer head should not be able to separate from intermediate pole when pulled. Be sure the threaded collars are tightened securely.

WARNING:

Failure to securely assemble and lock all poles together as directed above could cause the poles to separate and could result in serious personal injury or death.

ATTACHING THE SHOULDER HARNESS

See Figure 3.

- Remove the battery pack if installed.
- Connect the latches on the shoulder harness to the strap hangers.
- Adjust the harness to a comfortable position.

OPERATION

WARNING:

Do not allow familiarity with products to make you careless. Remember that a careless fraction of a second is sufficient to inflict serious injury.

WARNING:

Always wear eye protection with side shields marked to comply with ANSI Z87.1, along with head protection. Failure to do so could result in objects being thrown into your eyes and other possible serious injuries.

WARNING:

Do not use any attachments or accessories not recommended by the manufacturer of this product. The use of attachments or accessories not recommended can result in serious personal injury.

NOTICE:

Before each use, inspect the entire product for damaged, missing, or loose parts such as screws, nuts, bolts, caps, etc. Tighten securely all fasteners and caps and do not operate this product until all missing or damaged parts are replaced. Please contact customer service or an authorized service center for assistance.

APPLICATIONS

You may use this product for the purpose listed below:

- Trimming and shaping hedges and shrubbery

INSTALLING/REMOVING BATTERY PACK

See Figure 4.

WARNING:

Always remove battery pack from your tool when you are assembling parts, making adjustments, cleaning, carrying, transporting or when not in use. Removing battery pack will prevent accidental starting that could cause serious personal injury.

To install:

- Insert the battery pack into the product as shown.

WARNING:

Make sure the latch on the bottom of the battery pack snaps in place and the battery pack is fully seated and secure in the hedge trimmer battery port before beginning operation. Failure to securely seat the battery pack could cause the battery pack to fall out, resulting in serious personal injury.

NOTICE:

When placing battery pack in the tool, be sure raised rib on battery pack aligns with the bottom of the tool and latches into place properly. Improper installation of the battery pack can cause damage to internal components.

To remove:

- Depress the latch on the battery pack and remove from the hedge trimmer.

WARNING:

Battery tools are always in operating condition. Remove battery pack when transporting or carrying hedge trimmer to avoid accidental starting, which may result in serious injury.

For complete charging instructions, refer to the Operator's Manuals for your RYOBI battery pack and charger models.

ADJUSTING PIVOTING HEAD

See Figure 5.

- Remove the battery pack if installed.
- Place the hedge trimmer on a sturdy flat surface.
- Push pivot button and adjust trimmer head until it snaps securely into place at one of the four positions indicated by the notches.

NOTE: The trimmer will not operate unless locked into a position.

OPERATION

WARNING:

Do not place hand between pivoting head and threaded base. Placement of your hand or fingers in this area could result in a pinch point injury.

STARTING/STOPPING THE HEDGE TRIMMER

See Figure 6.

To start the motor:

- Hold the hedge trimmer and ensure that you are well away from anything that may contact the blade.
- Press and hold the trigger lock-out.
- Depress the switch trigger.

To stop the motor:

- Release the trigger to stop the hedge trimmer. Upon release of the trigger, the trigger lock will automatically reset to the locked position.

CUTTING TIPS

See Figures 7 - 9.

DANGER:

Never cut near power lines, electric cords, or other electric sources. If blade jams on any electrical cord or line, **DO NOT TOUCH THE BLADE! IT CAN BECOME ELECTRICALLY LIVE AND VERY DANGEROUS.** Continue to hold the hedge trimmer by the insulated rear handle or lay it down and away from you in a safe manner. Disconnect the electrical service to the damaged line or cord before attempting to free the blade from the line or cord. Contact with the blade, other conductive parts of the hedge trimmer, or live electric cords or lines will result in death by electrocution or serious injury.

WARNING:

Clear the area to be cut before each use. Remove all objects such as cords, lights, wire, or loose string which can become entangled in the cutting blade and create a risk of serious personal injury.

- Never use the hedge trimmer near power lines, fencing, posts, buildings, or other immovable objects.
- Inspect and clear the area of any hidden objects.
- Never use a blade after hitting a hard object without first inspecting it for damage. Do not use if any damage is detected.
- To protect yourself from electrocution, do not operate within 50 feet of overhead electrical lines.
- Stand so that you are stable and balanced on both feet.
- Wear gloves when trimming thorny or prickly growth.
- Before starting the hedge trimmer, hold the unit with both hands with the cutting blades directed away from you. Always use the hedge trimmer properly.
- Always hold hedge trimmer with both hands when operating. Use a firm grip on the front handle/shaft and rear handle. The unit is used for cutting in either direction in a slow, sweeping action from side to side.
- If desired, you can use a string to help cut your hedge level. Decide how high you want the hedge. Then, stretch a piece of string along the hedge at this height. Trim the hedge just above this guide line of string. Trim the side of a hedge so that it will be slightly narrower at the top. More of the hedge will be exposed when shaped this way, and it will be more uniform.
- When trimming new growth, use a wide sweeping action, so that the stems are fed directly into the cutting blade. Older growth will have thicker stems and will be trimmed easiest by using a sawing movement.
- Do not force the hedge trimmer through heavy shrubbery. This can cause the blades to bind and slow down. If the blades slow down, reduce the pace.
- Do not try to cut stems or twigs that are larger than 5/8 in. thick, or those obviously too large to feed into the cutting blade. Use a non-powered hand saw or pruning saw to trim large stems.
- If blades do become jammed, stop the motor, allow the blades to stop and remove the battery pack before attempting to remove the obstruction.

MAINTENANCE

WARNING:

To avoid serious personal injury, always remove the battery pack from the product when cleaning or performing any maintenance.

WARNING:

Always wear eye protection with side shields marked to comply with ANSI Z87.1, along with head protection. Failure to do so could result in objects being thrown into your eyes and other possible serious injuries.

WARNING:

When servicing, use only identical replacement parts. Use of any other parts may create a hazard or cause product damage.

WARNING:

Never use water or any liquids to clean or rinse off your product and do not expose the product to rain or wet conditions. Store indoors in a dry area. Corrosive liquids, water, and chemicals can enter the product's electronic components and/or battery compartment and damage electronic components and/or the battery pack, which can result in a short circuit, increased risk of fire, and serious personal injury. Remove any buildup of dirt and debris by wiping the product clean with a dry cloth occasionally.

NOTICE:

Periodically inspect the entire product for damaged, missing, or loose parts such as screws, nuts, bolts, caps, etc. Tighten securely all fasteners and caps and do not operate this product until all missing or damaged parts are replaced. Please contact customer service or an authorized service center for assistance.

GENERAL MAINTENANCE

Avoid using solvents when cleaning plastic parts. Most plastics are susceptible to damage from various types of commercial solvents and may be damaged by their use. Use clean cloths to remove dirt, dust, oil, grease, etc.

WARNING:

Do not at any time let brake fluids, gasoline, petroleum-based products, penetrating oils, etc., come in contact with plastic parts. Chemicals can damage, weaken, or destroy plastic, which could result in serious personal injury.

TRANSPORTING AND STORING

- Always place the blade cover on the blade before storing or transporting the hedge trimmer. Use caution to avoid the sharp teeth of the blade.
- Clean the hedge trimmer thoroughly before storing. Store the hedge trimmer indoors, in a dry place that is inaccessible to children. Keep away from corrosive agents such as garden chemicals and de-icing salts.

LUBRICATING THE BLADES

See Figure 10.

WARNING:

Always allow the blades of the hedge trimmer to come to a stop and remove the battery pack before lubricating. Failure to do so could result in accidental starting causing possible serious personal injury.

For easier operation and longer blade life, lubricate the hedge trimmer blade before and after each use.

- Remove the battery pack from the hedge trimmer.
- Lay the hedge trimmer on a flat surface. Apply light weight machine oil along the edge of the top blade.

NOTE: If you will be using the hedge trimmer for an extended time, it is advisable to oil the blade periodically.

- Stop the hedge trimmer.
- Remove the battery pack.
- Lubricate the hedge trimmer as described above.
- Reinstall the battery pack and resume use.

MAINTENANCE

SHARPENING THE BLADE

See Figure 11.

- Allow the blades of the hedge trimmer to come to a stop in the position shown. This will allow clearance for the file between the cutter teeth and the guard teeth.
- Remove the battery pack from the hedge trimmer.
- Clamp the blade assembly in a vise and file the exposed cutting surface of each blade tooth with an 8 in. smooth round file, 1/4 in. or 7/32 in. in diameter. Be sure to retain the original angle of the tooth when filing.
- Remove the hedge trimmer from the vise, replace the battery pack, and restart the hedge trimmer. Allow the blades of the hedge trimmer to come to a stop so that the unsharpened edges on the other side of the cutter blade teeth are exposed.
- Remove battery pack from hedge trimmer and repeat the sharpening procedure as described above.

CLEANING THE HEDGE TRIMMER

- Remove the battery pack.
- Slide the blade cover over the blade.
- Clean dirt and debris from the body of the hedge trimmer, using a damp cloth with a mild detergent.
NOTE: Do not use any strong detergents on the plastic housing or the handle. They can be damaged by certain aromatic oils such as pine and lemon, and by solvents such as kerosene.
- Moisture can cause a shock hazard. Wipe off any moisture with a soft dry cloth.
- Use a small brush or the air discharge of a small vacuum cleaner brush to clear dust or debris from the air vents on the motor housing.

STORING THE HEDGE TRIMMER

See Figure 12.

- Clean the hedge trimmer thoroughly before storing. Store the hedge trimmer in a dry, well-ventilated place that is inaccessible to children. Keep away from corrosive agents such as garden chemicals and de-icing salts.
- Always place the blade cover on the cutting blades before storing.



CALL US FIRST

For any questions about operating or maintaining your product, call the RYOBI Help Line!

Your product has been fully tested prior to shipment to ensure your complete satisfaction.

This product has a Five-year Limited Warranty for personal, family, or household use (90 days for business or commercial use). For warranty details, visit www.ryobitools.com or call (toll free) 1-800-525-2579.

INSTRUCTIONS DE SÉCURITÉ GÉNÉRALES POUR OUTILS ÉLECTRIQUES



AVERTISSEMENT :

Lire tous les avertissements et toutes les instructions. Ne pas suivre l'ensemble des avertissements et des instructions peut entraîner une électrocution, un incendie ou des blessures graves.

Conserver les avertissements et les instructions à des fins de référence ultérieure. Le terme « outil motorisé », utilisé dans tous les avertissements ci-dessous désigne tout outil fonctionnant sur secteur (câblé) ou sur piles (sans fil).

SÉCURITÉ DU LIEU DE TRAVAIL

- **Garder le lieu de travail propre et bien éclairé.** Les endroits encombrés ou sombres sont propices aux accidents.
- **Ne pas utiliser d'outils électriques dans des atmosphères explosives, par exemple en présence de liquides, gaz ou poussières inflammables.** Les outils électriques produisent des étincelles risquant d'enflammer les poussières ou vapeurs.
- **Garder les enfants et badauds à l'écart pendant l'utilisation d'un outil électrique.** Les distractions peuvent causer une perte de contrôle.

SÉCURITÉ ÉLECTRIQUE

- **Les fiches des outils électriques doivent correspondre à la prise secteur utilisée. Ne jamais modifier la fiche, de quelque façon que ce soit. Ne jamais utiliser d'adaptateurs de fiche avec des outils mis à la terre.** Les fiches et prises non modifiées réduisent le risque de choc électrique.
- **Éviter tout contact du corps avec des surfaces mises à la terre, telles que tuyaux, radiateurs, cuisinières et réfrigérateurs.** Le risque de choc électrique est accru lorsque le corps est mis à la terre.
- **Ne pas exposer les outils électriques à l'eau ou l'humidité.** La pénétration d'eau dans ces outils accroît le risque de choc électrique.
- **Ne pas maltraiter le cordon d'alimentation. Ne jamais utiliser le cordon d'alimentation pour transporter l'outil et ne jamais débrancher ce dernier en tirant sur le cordon. Garder le cordon à l'écart de la chaleur, de l'huile, des objets tranchants et des pièces en mouvement.** Un cordon endommagé ou emmêlé accroît le risque de choc électrique.
- **Pour les travaux à l'extérieur, utiliser un cordon spécialement conçu à cet effet.** Utiliser un cordon conçu pour l'usage extérieur pour réduire les risques de choc électrique.
- **S'il est nécessaire d'utiliser l'outil électrique dans un endroit humide, employer un dispositif interrupteur de défaut à la terre (GFCI).** L'utilisation d'un GFCI réduit le risque de décharge électrique.

SÉCURITÉ PERSONNELLE

- **Rester attentif, prêter attention au travail et faire preuve de bon sens lors de l'utilisation de tout outil électrique. Ne pas utiliser cet outil en état de fatigue ou sous l'influence de l'alcool, de drogues ou de médicaments.** Un moment d'inattention pendant l'utilisation d'un outil électrique peut entraîner des blessures graves.
- **Utiliser l'équipement de sécurité. Toujours porter une protection oculaire.** L'équipement de sécurité, tel qu'un masque filtrant, de chaussures de sécurité, d'un casque ou d'une protection auditive, utilisé dans des conditions appropriées réduira le risque de blessures.
- **Éviter les démarrages accidentels. S'assurer que le commutateur est en position d'arrêt avant de brancher l'outil.** Porter un outil avec le doigt sur son commutateur ou brancher un outil dont le commutateur est en position de marche peut causer un accident.
- **Retirer les clés de réglage avant de mettre l'outil en marche.** Une clé laissée sur une pièce rotative de l'outil peut causer des blessures.
- **Ne pas travailler hors de portée. Toujours se tenir bien campé et en équilibre.** Ceci permettra de mieux contrôler l'outil en cas de situation imprévue.
- **Porter une tenue appropriée. Ne porter ni vêtements amples, ni bijoux. Garder les cheveux, les vêtements et les gants à l'écart des pièces en mouvement.** Les vêtements amples, bijoux et cheveux longs peuvent se prendre dans les pièces en mouvement.
- **Si les outils sont équipés de dispositifs de dépoussiérage, s'assurer qu'ils sont connectés et correctement utilisés.** L'usage de ces dispositifs de dépoussiérage peut réduire les dangers présentés par la poussière.
- **Malgré votre expérience acquise par l'utilisation fréquente des outils, soyez toujours vigilant et respectez les principes de sécurité relatifs aux outils.** Un geste irréfléchi peut causer de graves blessures en une fraction de seconde.

UTILISATION ET ENTRETIEN DES OUTILS ÉLECTRIQUES

- **Ne pas forcer l'outil. Utiliser l'outil approprié pour l'application.** Un outil approprié exécutera le travail mieux et de façon moins dangereuse s'il est utilisé dans les limites prévues.
- **Ne pas utiliser l'outil si le commutateur ne permet pas de le mettre en marche ou de l'arrêter.** Tout outil qui ne peut pas être contrôlé par son commutateur est dangereux et doit être réparé.
- **Débrancher l'outil et/ou retirer le bloc-piles avant d'effectuer des réglages, de changer d'accessoire ou de remiser l'outil.** Ces mesures de sécurité préventives réduisent les risques de démarrage accidentel de l'outil.
- **Ranger les outils motorisés hors de la portée des enfants et ne laisser personne n'étant pas familiarisé avec l'outil**

INSTRUCTIONS DE SÉCURITÉ GÉNÉRALES POUR OUTILS ÉLECTRIQUES

ou ces instructions utiliser l'outil. Dans les mains de personnes n'ayant pas reçu des instructions adéquates, les outils sont dangereux.

- **Entretien des outils motorisés. Vérifier qu'aucune pièce mobile n'est mal alignée ou bloquée, qu'aucune pièce n'est brisée et s'assurer qu'aucun autre problème ne risque d'affecter le bon fonctionnement de l'outil. En cas de dommages faire réparer l'outil avant de l'utiliser de nouveau.** Beaucoup d'accidents sont causés par des outils mal entretenus.
- **Garder les outils bien affûtés et propres.** Des outils correctement entretenus et dont les tranchants sont bien affûtés risquent moins de se bloquer et sont plus faciles à contrôler.
- **Utiliser l'outil, les accessoires et embouts, etc., conformément à ces instructions pour les applications pour lesquelles ils sont conçus, en tenant compte des conditions et du type de travail à exécuter.** L'usage d'un outil motorisé pour des applications pour lesquelles il n'est pas conçu peut être dangereux.
- **S'assurer que les poignées et les surfaces de prise sont sèches, propres et exemptes d'huile et de graisse.** Des poignées et des surfaces de prise glissantes empêchent la manipulation et le contrôle sécuritaires de l'outil dans des circonstances imprévues.

UTILISATION ET ENTRETIEN DE LA PILE

- **Ne recharger qu'avec l'appareil spécifié par le fabricant.** Un chargeur approprié pour un type de pile peut créer un risque d'incendie s'il est utilisé avec un autre type de pile.
- **Utiliser exclusivement le bloc-pile spécifiquement indiqué pour l'outil.** L'usage de tout autre bloc peut créer un risque de blessures et d'incendie.

- **Lorsque le bloc-piles n'est pas en usage, le garder à l'écart d'articles tels qu'attaches trombones, pièces de monnaie, clous, vis ou autres petits objets métalliques risquant d'établir le contact entre les deux bornes.** La mise en court-circuit des bornes de piles peut causer des étincelles, des brûlures ou un incendie.
- **En cas d'usage abusif, du liquide peut s'échapper des piles. Éviter tout contact avec ce liquide. En cas de contact accidentel, rincer immédiatement les parties atteintes avec de l'eau. En cas d'éclaboussure dans les yeux consulter un médecin.** Le liquide s'échappant des piles peut causer des irritations ou des brûlures.
- **Ne pas utiliser un bloc-piles ou un outil endommagé ou modifié.** Le bris ou la modification du bloc-piles peut causer un comportement imprévisible et causer un incendie, une explosion ou des blessures.
- **Ne pas exposer le bloc-piles ou l'outil au feu ou à des températures excessives.** Une exposition au feu ou à une température supérieure à 130 °C (265 °F) peut provoquer une explosion.
- **Suivre toutes les instructions afférentes à la recharge et ne pas recharger le bloc-piles ou l'appareil hors des températures spécifiées dans les instructions.** Une recharge incorrecte ou hors des températures spécifiées peut endommager la pile et augmenter les risques de feu.

DÉPANNAGE

- **Les réparations doivent être confiées à un technicien qualifié, utilisant exclusivement des pièces identiques à celles d'origine.** Ceci assurera le maintien de la sécurité de l'outil.
- **Ne jamais essayer d'effectuer l'entretien ou la réparation des blocs-batteries endommagés.** Seuls le fabricant et les fournisseurs de service autorisés doivent effectuer la réparation ou l'entretien des blocs-batteries.

AVERTISSEMENTS DE SÉCURITÉ POUR LA TAILLE-HAIES

- **Éloigner toute partie du corps des lames. Ne retirer les matériaux coincés ou suspendus ou de les tenir lorsque les lames sont en mouvement. S'assurer que l'interrupteur est à la position OFF (éteint) lorsque l'on déloge les débris de matériaux. La lame termine son mouvement une fois l'outil éteint.** Un moment d'inattention pendant l'utilisation du taille-haie peut occasionner une blessure grave.
- **Transporter le taille-haie par la poignée et s'assurer que la lame est immobile.** Une manipulation adéquate du taille-haie réduira les risques de blessures dues aux lames.
- **Lors du transport ou de l'entreposage du taille-haie, toujours utiliser le protège-lame.** En manipulant le taille-haie de façon appropriée, on réduit le risque de blessures corporelles causées par les lames.
- **Lorsqu'on dégage les matières qui se sont accumulées ou qu'on effectue l'entretien ou la réparation de l'unité, s'assurer de couper l'alimentation des interrupteurs et de retirer ou de débrancher le bloc-batterie.** La mise en marche inattendue du taille-haie lorsqu'on dégage les matières qui se sont accumulées ou qu'on effectue son entretien ou sa réparation peut causer des blessures corporelles graves.
- **Garder les cordons d'alimentation et les câbles à l'écart de la zone de coupe.** Les cordons d'alimentation et les câbles peuvent être cachés dans les haies ou les buissons et la lame pourrait les couper par accident.
- **Ne pas utiliser le taille-haie lorsque la température est mauvaise, tout particulièrement lorsqu'il y a un risque d'éclairs.** Ceci diminuera le risque d'être frappé par la foudre.

AVERTISSEMENTS DE SÉCURITÉ POUR LA TAILLE-HAIES

- **Soutenir l'outil électrique par les prises isolées seulement, car les lames peuvent toucher un fil camouflé ou son propre cordon d'alimentation.** Le contact des lames avec un fil sous tension « électrifié » les pièces métalliques exposées de l'outil et peut électrocuter l'utilisateur.
- **DANGER — Éloigner les mains des lames.** Le contact avec les lames peut provoquer des blessures graves.
- **AVERTISSEMENT** — Seulement l'usage avec la poignée et le garde est assemblé se couvrir convenablement la taille-haies. L'usage de la taille-haies sans le garde ou la poignée correcte fournie peut avoir pour résultat sérieuse personnelle la blessure.

AVERTISSEMENTS DE SÉCURITÉ POUR LE TAILLE-HAIE À PORTÉE ÉTENDUE

- **Pour réduire le risque d'électrocution, ne jamais utiliser le taille-haie à portée étendue à proximité des câbles électriques.** Si l'outil est utilisé près de câbles électriques ou s'il les touche, cela peut provoquer des blessures graves ou une décharge électrique entraînant la mort.
- **Toujours se servir de ses deux mains lorsqu'on utilise le taille-haie à portée étendue.** Tenir le taille-haie à portée étendue avec ses deux mains pour ne pas perdre le contrôle.
- **Toujours porter un dispositif de protection de la tête lorsqu'on utilise le taille-haie à portée étendue au-dessus de sa tête.** Les débris qui tombent peuvent entraîner des blessures graves.




RÈGLES DE SÉCURITÉ SUPPLÉMENTAIRES

- **Ne porter ni vêtements amples, ni bijoux. Attacher ou couvrir les cheveux longs.** Les vêtements amples, bijoux et cheveux longs peuvent se prendre dans les ouïes d'aération.
- **Ne pas utiliser l'outil sur une échelle, toits ou un support instable.** Une bonne tenue et un bon équilibre permettent de mieux contrôler l'outil en cas de situation imprévue.
- **Porter des pantalons longs, manches longues, des chaussures de travail et des gants épais.** Ne pas porter de vêtements amples, bijoux, shorts, sandales et ne pas travailler pieds nus. Ne porter aucun bijou.
- **L'utilisation du taille-haie doit se faire avec les deux mains.** Le travail effectué avec une seule main peut provoquer la perte de contrôle de l'outil et provoquer des blessures graves.
- Avant de lancer le moteur, s'assurer que la lame n'est en contact avec aucun objet.
- Arrêter le moteur, retirer le bloc-piles et s'assurer que la lame est immobilisée avant de poser l'outil.
- Ne jamais couper de tiges de plus de 15,9 mm (5/8 po) de diamètre.
- **Nettoyer la zone à couper avant chaque utilisation.** Retirer tous les objets comme les cordons, lumières, fils ou cordes lâches pouvant s'entremêler dans la lame de coupe pour éviter les risques de blessures graves.
- Arrêter le moteur quand l'outil n'est pas en train de tailler ou lorsqu'il est transporté d'un endroit à un autre.







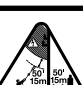



- Garder l'outil propre. Les débris d'herbe et autres peuvent se prendre dans les lames.
- Si le taille-haies est équipé d'un éjecteur de débris, ne pas se servir d'éjecteur comme d'une surface de préhension.
- Remiser l'outil dans un endroit sec, sous clé ou en hauteur, pour éviter des dommages ou utilisations non autorisées. Le garder hors de portée des enfants et des personnes n'étant pas familières avec son utilisation.
- Remettre le fourreau de lame en place lorsque l'outil n'est pas en usage.
- Ne jamais arroser ou asperger l'outil avec de l'eau ou tout autre liquide. Garder les poignées sèches, propres et exemptes de débris. Nettoyer après chaque utilisation. Voir les instructions de remisage.
- Arrimer le produit avant de le transporter.
- Les outils fonctionnant sur piles n'ayant pas besoin d'être branchés sur une prise secteur, ils sont toujours en état de fonctionnement. Rester conscient des dangers lorsque l'outil n'est pas en usage.
- Retirer le bloc-piles avant tout réglage, nettoyage, remisage ou déblocage et lorsque l'outil n'est pas en usage.
- **Toujours installer le dispositif de protection des lames lors du transport ou du remisage du taille-haie.**
- **Garder le câble à l'écart des lames.** Pendant le fonctionnement que le câble pourrait être caché dans les arbrisseaux et peut être coupé accidentel par la lame.
- Toujours porter une protection oculaire avec écrans latéraux certifiée conforme à la norme ANSI Z87.1 lors de l'utilisation de produit. Porter la protection de tête en fonctionnant cet produit au-dessus du niveau d'épaule. Le respect de cette règle réduira les risques de blessures graves.
- Garder tous les passants, les enfants, et caresse au moins 50 pieds loin. Les passants devraient être encouragés à porter la protection oculaire.
- En cas d'urgence, utiliser les agrafe à ressort sur le bandoulière à relâchement rapide pour se libérer du bandoulière et de la taille-haies.
- Ne jamais utiliser de l'eau ou une autre liquide pour nettoyer ou rincer le produit et n'exposez pas à la pluie ou conditions l'humidité. La remise à l'intérieur dans un endroit sec. Les liquides corrosifs, l'eau et les produits chimiques peuvent s'infiltrer dans le composants électroniques et/ou le compartiment de la pile et endommager les composants électroniques et/ou le bloc-pile, ce qui peut entraîner un court-circuit, augmenter le risque d'incendie ou des blessures corporelles graves. Enlever toute accumulation de la saleté et les débris sur la produit de temps en temps avec un linge sec.
- Utiliser ce produit seulement avec la piles et le chargeurs indiqués dans le supplément de raccordement pour chargeur/outils/piles/appareil n° 988000-842.
- Conserver ces instructions. Les consulter fréquemment et les utiliser pour instruire les autres utilisateurs éventuels. Si cet produit est prêté, il doit être accompagné de ces instructions.

SYMBOLES

Les termes de mise en garde suivants et leur signification ont pour but d'expliquer le degré de risques associé à l'utilisation de ce produit.



SYMBOLE	SIGNAL	SIGNIFICATION
	DANGER:	Indique une situation dangereuse qui, si elle n'est pas évitée, aura pour conséquences des blessures graves ou mortelles.
	AVERTISSEMENT :	Indique une situation dangereuse qui, si elle n'est pas évitée, pourrait entraîner des blessures graves ou mortelles.
	ATTENTION :	Indique une situation dangereuse qui, si elle n'est pas évitée, pourrait entraîner des blessures légères ou de gravité modérée.
	AVIS :	(Sans symbole d'alerte de sécurité) Indique les informations jugées importantes sans toutefois représenter un risque de blessure (ex. : messages concernant les dommages matériels).

Certains des symboles ci-dessous peuvent être utilisés sur ce produit. Veiller à les étudier et à apprendre leur signification. Une interprétation correcte de ces symboles permettra d'utiliser l'outil plus efficacement et de réduire les risques.

SYMBOLE	NOM	DÉSIGNATION / EXPLICATION
	Alerte de sécurité	Indique un risque de blessure potentiel.
	Lire le manuel d'utilisation	Pour réduire les risques de blessures, l'utilisateur doit lire et veiller à bien comprendre le manuel d'utilisation avant d'utiliser ce produit.
	Porter une protection oculaire et protection casque	Toujours porter une protection oculaire avec écrans latéraux certifiée conforme à la norme ANSI Z87.1, ainsi qu'une protection casque.
	Avertissement concernant l'humidité	Ne pas exposer la pile, le compartiment de la pile, ou les composants électroniques à la pluie, l'eau ou d'autres liquides. Ne pas charger la pile ou exposer la produit à la pluie ou des endroits humides.
	Gants	Porter des gants épais antidérapants lors de la manipulation de l'arbre et de la lame.
	Chaussures de sécurité	Porter des chaussures de travail à semelle antidérapante lors de l'utilisation de l'outil.
	La tenir à l'écart de lignes électriques et ne laisser personne s'approcher	DANGER ! Risque d'électrocution ! Ne pas travailler à moins de 15m (50 pi) de lignes électriques. Ne jamais laisser quiconque se tenir à moins de 15 m (50 pi) de l'outil.
	Choc électrique	L'utilisation dans des conditions humides et le non respect des instructions de sécurité peuvent résulter en un choc électrique.
	Symbole Mains à l'écart	Le non-respect de cette mise en garde peut entraîner des blessures graves.
	Tenir la scie à deux mains	Tenir la taille-haies à deux mains et l'utiliser correctement.

SYMBOLES

Certains des symboles ci-dessous peuvent être utilisés sur ce produit. Veiller à les étudier et à apprendre leur signification. Une interprétation correcte de ces symboles permettra d'utiliser l'outil plus efficacement et de réduire les risques.

SYMBOLE	NOM	DÉSIGNATION / EXPLICATION
	Pièces en mouvement	Garder les mains à l'écart des pièces en mouvement.
	Symbole de recyclage	Ce produit utilise les piles de lithium-ion (Li-ion). Les réglementations locales ou gouvernementales peuvent interdire de jeter les piles dans les ordures ménagères. Consulter les autorités locales compétentes pour les options de recyclage et/ou l'élimination.
V	Volts	Tension
hrs	Hours	Time
—	Courant continu	Type ou caractéristique du courant
n_0	Vitesse à vide	Vitesse de rotation à vide
.../min	Par minute	Tours, coups, vitesse périphérique, orbites, etc., par minute

CARACTÉRISTIQUES

FICHE TECHNIQUE

Moteur 18 V c.c.
Longueur de la lame..... 457,2 mm (18 po)

Capacité de coupe hasta 15,9 mm (5/8 po)
Vitesse de coupe..... 3,000 coupes par minute

APPRENDRE À CONNAÎTRE PRODUIT

Voir la figure 1.

L'utilisation sûre de ce produit exige une compréhension des renseignements figurant sur l'produit et contenus dans le manuel d'utilisation, ainsi qu'une bonne connaissance du projet entrepris. Avant d'utiliser ce produit, se familiariser avec toutes ses caractéristiques et règles de sécurité.

FOURREAU DE LAME

Le fourreau de lame empêche que l'opérateur entre en contact avec les lames tranchantes lorsque l'outil n'est pas en usage. Il évite également que les lames soient ébréchées ou endommagées pendant le remisage.

GARDE

La garde aide à protéger les mains de l'opérateur des débris projetés.

BOUTON DE VERROUILLAGE

Le bouton de verrouillage prévient les démarrages accidentels.

TÊTE PIVOTANTE À QUATRE POSITIONS

La taille-haies plus mince peut être ajustée avec le bouton de pivot.

ASSEMBLAGE

DÉBALLAGE

Ce produit doit être assemblé.

- Avec précaution, sortir le produit et les accessoires de la boîte. S'assurer que toutes les pièces figurant sur la **Liste de contrôle d'expédition** sont incluses.

AVERTISSEMENT :

Ne pas utiliser le produit si, en le déballant, vous constatez que des éléments figurant dans la **Liste de contrôle d'expédition** sont déjà assemblés. Certaines pièces figurant sur cette liste n'ont pas été assemblées par le fabricant et exigent une installation. Le fait d'utiliser un produit qui a été assemblé de façon inadéquate peut entraîner des blessures.

- Examiner soigneusement l'produit pour s'assurer que rien n'a été brisé ou endommagé en cours de transport.
- Ne pas jeter les matériaux d'emballage avant d'avoir soigneusement examiné l'produit et avoir vérifié qu'il fonctionne correctement.
- Si des pièces manquent ou sont endommagées, appeler le 1-800-525-2579.

LISTE DE CONTRÔLE

Tête du taille-haie

Arbre intermédiaire

Manche électrique

Fourreau de lame

Bandoulière

Manuel d'utilisation

AVERTISSEMENT :

Si des pièces manquent ou sont endommagées, ne pas utiliser ce produit avant qu'elles aient été remplacées. Le fait d'utiliser ce produit même s'il contient des pièces endommagées ou s'il lui manque des pièces peut entraîner des blessures graves.

AVERTISSEMENT :

Ne pas essayer de modifier ce produit ou de créer des accessoires non recommandés pour ce produit. De telles altérations ou modifications sont considérées comme un usage abusif et peuvent créer des conditions dangereuses, risquant d'entraîner des blessures graves.

AVERTISSEMENT :

Pour empêcher un démarrage accidentel pouvant entraîner des blessures graves, toujours déconnecter le fil de bougie de moteur de la bougie d'allumage avant d'assembler des pièces.

AVERTISSEMENT :

Les lames de taille-haies sont extrêmement tranchantes. Ne pas enlever le fourreau avant que le taille-haies ne soit complètement assemblé et prêt à l'emploi. Toujours faire preuve de prudence lors du retrait du fourreau. Le non-respect de ces mises en garde pourrait entraîner des blessures graves.

CONNEXION DU LE POIGNÉE

Voir la figure 2.

- Insérer le bouchon de la tige intermédiaire dans la douille du manche électrique et les pousser ensemble jusqu'à ce qu'ils soient complètement insérés. Le bouchon est plus large d'un côté et peut être installé d'une seule façon.
- Pousser le collet du manche électrique vers la base fileté de la tige intermédiaire et le faire tourner dans le sens des aiguilles d'une montre pour fixer solidement le tout.
- Répéter le processus pour fixer la tige intermédiaire à la tête du taille-haie. Éviter d'endommager les filetages.

NOTE : Lorsqu'ils sont assemblés correctement, le manche électrique et la tête du taille-haie ne devraient pas être séparés de la tige intermédiaire lorsqu'on tire dessus. S'assurer que les collets filetés sont serrés fermement.

AVERTISSEMENT :

Le fait de ne pas bien assembler et verrouiller toutes les tiges ensemble comme indiqué ci-dessus pourrait faire en sorte que les tiges se séparent et causer des blessures corporelles graves ou la mort.

INSTALLATION DE LA BANDOULIÈRE

Voir la figure 3.

- Si est installé, retirer le bloc-piles.
- Fixer les loquets de la bandoulière aux crochets de la courroie.
- Régler la longueur de la sangle de manière à obtenir une position confortable.

UTILISATION

AVERTISSEMENT :

Ne pas laisser la familiarité avec le produit faire oublier la prudence. Ne pas oublier qu'une fraction de seconde d'inattention peut entraîner des blessures graves.

AVERTISSEMENT :

Toujours porter une protection oculaire avec écrans latéraux certifiée conforme à la norme ANSI Z87.1, ainsi qu'une protection casque. Si cette précaution n'est pas prise, des objets peuvent être projetés dans les yeux et d'autres lésions graves.

AVERTISSEMENT :

Ne pas utiliser produits ou accessoires non recommandés par le fabricant de ce produit. L'utilisation de pièces et accessoires non recommandés peut entraîner des blessures graves.

AVIS :

Avant chaque utilisation, inspecter au complet le produit afin de s'assurer qu'aucune pièce (vis, écrous, boulons, chapeaux, etc.) n'est endommagée, manquante ou desserrée. Serrer solidement toutes les pièces de fixation et les chapeaux et ne pas utiliser le produit tant que toutes les pièces manquantes ou endommagées n'ont pas été remplacées. Pour obtenir de l'aide, veuillez communiquer avec le service à la clientèle ou un centre de réparations qualifié.

APPLICATIONS

Ce produit peut être utilisé pour les application ci-dessous :

- Tailler et former les haies et buissons

INSTALLATION / RETRAIT DU BLOC-PILES

Voir la figura 4.

AVERTISSEMENT :

Toujours retirer la pile de l'outil au moment d'assembler des pièces, d'effectuer des réglages et de procéder au nettoyage, ou lorsque l'outil n'est pas utilisé. Le fait de retirer la pile permet d'empêcher un démarrage accidentel pouvant entraîner des blessures graves.

Installation :

- Insérer le bloc-piles dans le produit comme il est indiqué.

AVERTISSEMENT :

S'assurer que le loquet au bas du bloc-piles s'enclenche et que le bloc-piles est installé et fixé correctement au taille-haie avant de commencer le travail. Ne pas installer et fixer correctement le bloc-piles peut provoquer la chute de ce dernier et occasionner des blessures graves.

AVIS :

Lors de l'installation du bloc-piles, veiller à ce que sa nervure s'aligne sur le fond de l'outil et se verrouille en place. Une insertion incorrecte du bloc-piles peut causer des dommages aux composants internes.

Retrait :

- Appuyer sur le loquet se trouvant du bloc-piles pour le séparer du taille-haies.

AVERTISSEMENT :

Les outils à piles sont toujours en état de fonctionnement. Retirer la pile au moment de transporter le taille-haies afin d'éviter un démarrage accidentel qui pourrait entraîner des blessures graves.

UTILISATION

Pour prendre connaissance des consignes de chargement, consulter les manuels d'utilisation des batteries de RYOBI et des chargeurs connexes.

RÉGLAGE DE LA TÊTE PIVOTANTE

Voir la figure 5.

- Si est installé, retirer le bloc-piles.
- Déposer le taille-haies sur une surface plane et solide.
- Appuyer sur le bouton de pivot et régler la tête du taille-haies de manière à ce qu'elle s'enclenche solidement dans l'une des quatre positions indiquées par les encoches.

NOTE: Le taille-haie ne fonctionnera pas s'il n'est pas verrouillé dans une position.

AVERTISSEMENT :

Ne pas mettre la main entre la tête pivotante et la base filetée. Le positionnement de la main ou des doigts à cet endroit peut causer une blessure par pincement.

MISE EN MARCHÉ ET ARRÊT DE LA TAILLE-HAIES

Voir la figure 6.

Pour démarrer :

- Tenir la taille-haies et s'assurer qu'aucun obstacle ne risque d'entrer en contact avec la lame.
- Maintenir le verrouillage de gâchette enfoncé.
- Appuyer sur la gâchette.

Pour arrêter le moteur :

- Pour arrêter la taille-haies relâcher la gâchette. Lorsque la gâchette est relâchée, le verrouillage se remet automatiquement en position verrouillée.

CONSEILS DE COUPE

Voir les figures 7 à 9.

DANGER :

Ne jamais effectuer de coupes près de cerca de lignes, lignes cordon de électriques ou de sources de courant. Si la lame se prend dans un cordon ou une ligne électrique, **NE PAS LA TOUCHER! ELLE PEUT ÊTRE SOUS TENSION ET DONC, EXTRÊMEMENT DANGEREUSE.** Continuer de tenir le taille-haies par la poignée arrière isolée ou le poser à l'écart en prenant les précautions nécessaires. Mettre le circuit électrique de la ligne électrique hors tension ou débrancher le cordon endommagé avant d'essayer de débloquent la lame. Le contact avec la lame, d'autres parties conductrices du taille-haies, ou des cordons ou des fils électriques sous tension entraînerait une électrocution ou des blessures graves, ce qui pourrait s'avérer mortel.

AVERTISSEMENT :

Déblayer la zone de travail avant chaque utilisation. Retirer tous les objets tels que les cordons, lumières, fil, ou câbles ont détaché qui peuvent s'emmêler dans la lame tranchante et créer un risque de blessure grave.

- Ne jamais utiliser le taille-haies à côté de lignes électriques, palissades, poteaux, bâtiments, ou autres objets fixes.
- Inspecter et débarrasser l'endroit de tout objet caché.
- Ne jamais continuer d'utiliser une lame après avoir heurté un objet dur, sans vérifier qu'elle n'a pas été endommagée. Ne pas utiliser l'outil s'il est endommagé.
- Pour éviter les risques d'électrocution, ne pas travailler à moins de 15 mètres (50 pi) de lignes électriques.
- Se tenir debout de manière à être bien campé et en équilibre sur les deux pieds.
- Porter des gants lors de la taille de buissons épineux.
- Avant de mettre le taille-haies en marche, le tenir par les deux poignées, la lame dirigée vers l'avant. Toujours utiliser le taille-haies correctement.
- Pendant le travail, toujours tenir le taille-haies des deux mains. Agripper fermement la poignée avant/arbre et la poignée arrière. L'outil peut être utilisé dans les deux directions avec un large mouvement de balayage latéral.
- Si désiré, vous pouvez utiliser une ficelle pour vous aider à couper la haie à niveau constant. Choisir la hauteur de haie souhaitée. Tendre un morceau de ficelle le long de la haie à la hauteur désirée. Tailler la haie juste au-dessus de la ficelle. Tailler le côté d'une haie pour qu'elle soit légèrement plus étroite en haut. Une plus grande partie de la haie sera exposée si elle est taillée de cette manière, et elle sera plus uniforme.
- Lors de la taille des nouvelles pousses, tailler avec un large mouvement de balayage, pour que les tiges s'engagent directement dans la denture de la lame. Les anciennes pousses présentent des tiges plus épaisses et seront plus facilement taillées par un mouvement de scie.
- Ne pas forcer le taille-haies au travers de buissons épais et denses. Ceci peut causer un coincement des lames et un ralentissement. Si les lames ralentissent, réduire la vitesse de travail.
- Ne pas essayer de couper les tiges ou branchettes de plus de 15,9 mm (5/8 po) d'épaisseur ou celles de toute évidence trop grosses pour la denture de la lame. Utiliser une scie à main sans moteur ou une scie d'élagage pour la coupe de grosses tiges.
- Si les lames se bloquent, arrêter le moteur, laisser les lames s'arrêter et retirer le bloc-piles avant d'essayer de débloquent les lames.

ENTRETIEN

AVERTISSEMENT :

Pour empêcher un démarrage accidentel pouvant entraîner des blessures graves, toujours retirer le bloc de pile de le produit avant tout nettoyage ou entretien.

AVERTISSEMENT :

Toujours porter une protection oculaire avec écrans latéraux certifiée conforme à la norme ANSI Z87.1, ainsi qu'une protection casque. Si cette précaution n'est pas prise, des objets peuvent être projetés dans les yeux et d'autres lésions graves.

AVERTISSEMENT :

Pour empêcher un démarrage accidentel pouvant entraîner des blessures graves, toujours retirer le piles de l'produit avant tout nettoyage ou entretien.

AVERTISSEMENT :

Ne jamais utiliser de l'eau ou une autre liquide pour nettoyer ou rincer la produit et n'exposez pas à la pluie ou conditions l'humidité. La remiser à l'intérieur dans un endroit sec. Les liquides corrosifs, l'eau et les produits chimiques peuvent s'infiltrer dans le composants électroniques et/ou le compartiment de la pile et endommager les composants électroniques et/ou le bloc-pile, ce qui peut entraîner un court-circuit, augmenter le risque d'incendie ou des blessures corporelles graves. Enlever toute accumulation de la saleté et les débris sur la produit de temps en temps avec un linge sec.

AVIS :

Inspecter périodiquement au complet le produit afin de s'assurer qu'aucune pièce (vis, écrous, boulons, chapeaux, etc.) n'est endommagée, manquante ou desserrée. Serrer solidement toutes les pièces de fixation et les chapeaux et ne pas utiliser le produit tant que toutes les pièces manquantes ou endommagées n'ont pas été remplacées. Pour obtenir de l'aide, veuillez communiquer avec le Service à la clientèle ou un centre de réparations qualifié.

ENTRETIEN GÉNÉRAL

Éviter d'utiliser des solvants pour le nettoyage des pièces en plastique. La plupart des matières plastiques peuvent être endommagées par divers types de solvants du commerce. Utiliser un chiffon propre pour éliminer la saleté, la poussière, l'huile, la graisse, etc.

AVERTISSEMENT :

Ne jamais laisser de liquides tels que le fluide de freins, l'essence, les produits à base de pétrole, les huiles pénétrantes, etc., entrer en contact avec les pièces en plastique. Les produits chimiques peuvent endommager, affaiblir ou détruire le plastique, ce qui peut entraîner des blessures graves.

TRANSPORT ET REMISAGE

- Toujours placer le fourreau de lame sur la lame lors du transport ou du remisage du taille-haies. Veiller à ne pas se couper sur les dents de la lame.
- Nettoyer soigneusement le taille-haies avant de le remiser. Remiser le taille-haies dans un endroit sec, inaccessible aux enfants. Le tenir à l'écart de produits corrosifs, tels que les produits chimiques de jardinage et le sel de dégivrage.

LUBRIFICATION DES LAMES

Voir la figure 10.

AVERTISSEMENT :

Laisser les lames du taille-haies s'arrêter et retirer le bloc-piles avant lubrification l'outil ou l'aiguisage de la lame. Le non respect de cet avertissement peut causer un démarrage accidentel, entraînant des blessures graves.

Pour faciliter l'utilisation et prolonger la vie utile des lames, le lubrifier avant et après chaque utilisation.

- Retirer le bloc-piles du taille-haies.
- Poser le taille-haies sur une surface plane. Appliquer de l'huile de machine légère le long du bord de la lame supérieure.

NOTE : Si le taille-haies doit être utilisé pendant une période prolongée, il est conseillé de lubrifier la lame pendant cette période.

ENTRETIEN

- Arrêter le taille-haies.
- Retirer le bloc-piles.
- Lubrifier le taille-haies comme décrit ci-dessus.
- Réinstaller le bloc-piles et reprendre le travail.

AFFÛTAGE DE LA LAME

Voir la figure 11.

- Laisser les lames du taille-haies s'arrêter dans la position illustrée. Ceci laisse un passage pour la lime entre les dents de coupe et les dents de protection.
- Retirer le bloc-piles du taille-haies.
- Serrer l'ensemble de lames dans un étau et limer la surface de coupe exposée de chaque dent de lame avec une lime ronde fine de 203 mm (8 po) et de 6 ou 5 mm (1/4 ou 7/32 po), de diamètre. S'assurer de conserver l'angle d'origine des dents pendant le limage.
- Retirer le taille-haies de l'étau, remettre le bloc-piles en place et remettre l'outil en marche. Laisser les lames du taille-haies s'arrêter de manière à ce que les tranchants non affûtés des dents soient exposés.
- Retirer le bloc-piles du taille-haies et reprendre les procédures d'affûtage ci-dessus.

NETTOYAGE DU TAILLE-HAIES

- Retirer le bloc-piles.
- Glisser le fourreau de lame.
- Nettoyer la saleté et les débris du corps du taille-haies à l'aide d'un chiffon humide et d'un détergent doux.

NOTE : Ne pas utiliser de détergents puissants sur le boîtier en plastique ou la poignée. Ces pièces peuvent être endommagées par certaines huiles aromatiques telles que les huiles de pin et de citron et les solvants tels que le kérosène.

- L'humidité peut créer un risque de choc électrique. Essuyer toute humidité sur l'outil avec un chiffon doux sec.
- Utiliser une petite brosse ou la sortie d'air d'un petit aspirateur pour chasser la saleté.

REMISAGE DU TAILLE-HAIES

Voir la figure 12.

- Nettoyer soigneusement le taille-haies avant de le remiser. Ranger le taille-haies dans un endroit sec, bien aéré et inaccessible aux enfants. Le tenir à l'écart de produits corrosifs, tels que les produits chimiques de jardinage et le sel de dégivrage.
- Toujours placer le fourreau de lame lors du transport ou du remisage.



NOUS APPELER D'ABORD

Pour toute question concernant l'utilisation ou l'entretien utiliser ce produit, appeler le service d'assistance téléphonique RYOBI !

Le taille-bordures a été entièrement testé avant expédition pour assurer la complète satisfaction de l'utilisateur.

Ce produit est accompagné d'une garantie limitée de cinq (5) ans pour utilisation personnel, familiales ou domestiques (90 jours pour utilisation affaires ou commerciaux). Pour obtenir les détails de la garantie, visiter le site www.ryobitools.com ou appeler (sans frais) au 1-800-525-2579.

ADVERTENCIAS DE SEGURIDAD PARA HERRAMIENTAS ELÉCTRICAS



ADVERTENCIA:

Lea todas las advertencias de seguridad y todas las instrucciones. El incumplimiento de las advertencias e instrucciones puede ocasionar descarga eléctrica, fuego o lesiones graves.

Guarde todas las advertencias e instrucciones para futuras consultas. El término “herramienta eléctrica” empleado en todos los avisos de advertencia enumerados abajo se refiere a las herramientas eléctricas de cordón (alámbricas) y de baterías (inalámbricas).

SEGURIDAD EN EL ÁREA DE TRABAJO

- **Mantenga limpia y bien iluminada el área de trabajo.** Un área de trabajo mal despejada o mal iluminada propicia accidentes.
- **No utilice herramientas motorizadas en atmósferas explosivas, como las existentes alrededor de líquidos, gases y polvos inflamables.** Las herramientas eléctricas generan chispas que pueden encender el polvo y los vapores inflamables.
- **Mantenga alejados a los niños y circunstantes al maniobrar una herramienta eléctrica.** Toda distracción puede causar pérdida del control de la herramienta.

SEGURIDAD ELÉCTRICA

- **Las clavijas de las herramientas eléctricas deben corresponder a las tomas de corriente donde se conectan. Nunca modifique la clavija de ninguna forma. No utilice ninguna clavija adaptadora con herramientas eléctricas dotadas de contacto a tierra.** Conectando las clavijas originales en las tomas de corriente donde corresponden se disminuye el riesgo de una descarga eléctrica.
- **Evite el contacto del cuerpo con las superficies de objetos que estén haciendo tierra o estén conectados a ésta, como tuberías, radiadores, estufas y refrigeradores.** Existe un mayor riesgo de descargas eléctricas si el cuerpo está haciendo tierra.
- **No exponga las herramientas eléctricas a la lluvia ni a condiciones de humedad.** La introducción de agua en una herramienta eléctrica aumenta el riesgo de descargas eléctricas.
- **No maltrate el cordón eléctrico. Nunca utilice el cordón para trasladar, desconectar o tirar de la herramienta eléctrica. Mantenga el cordón alejado del calor, del aceite, de bordes afilados y de piezas móviles.** Los cordones eléctricos dañados o enredados aumentan el riesgo de descargas eléctricas.
- **Al utilizar una herramienta eléctrica a la intemperie, use un cordón de extensión apropiado para el exterior.** Usando un cordón adecuado para el exterior se disminuye el riesgo de descargas eléctricas.
- **Si debe operar una herramienta en lugares húmedos, use un suministro protegido por un interruptor de circuito con pérdida a tierra (GFCI).** El uso de un GFCI reduce el riesgo de descargas eléctricas.

SEGURIDAD PERSONAL

- **Permanezca alerta, preste atención a lo que esté haciendo y aplique el sentido común al utilizar herramientas eléctricas. No utilice la herramienta eléctrica si está cansado o se encuentra bajo los efectos de alguna droga, alcohol o medicamento.** Un momento de inatención al utilizar una herramienta eléctrica puede causar lesiones corporales serias.
- **Use equipo de seguridad. Siempre póngase protección ocular.** El uso de equipo de seguridad como mascarilla para el polvo, calzado de seguridad, casco y protección para los oídos en las circunstancias donde corresponda disminuye el riesgo de lesiones.
- **Evite un arranque accidental de la unidad. Asegúrese de que el interruptor esté en la posición de apagado antes de conectar la herramienta.** Portar las herramientas eléctricas con el dedo en el interruptor, o conectarlas con el interruptor puesto, propicia accidentes.
- **Retire toda llave o herramienta de ajuste antes de encender la herramienta eléctrica.** Toda llave o herramienta de ajuste dejada en una pieza giratoria de la herramienta eléctrica puede causar lesiones.
- **No estire el cuerpo para alcanzar mayor distancia. Mantenga una postura firme y buen equilibrio en todo momento.** De esta manera se logra un mejor control de la herramienta eléctrica en situaciones inesperadas.
- **Vístase adecuadamente. No vista ropas holgadas ni joyas. Mantenga el cabello, la ropa y los guantes alejados de las piezas móviles.** Las ropas holgadas, las joyas y el cabello largo pueden engancharse en las piezas móviles.
- **Si se suministran dispositivos para conectar mangueras de extracción y captación de polvo, asegúrese de que éstas estén bien conectadas y se usen correctamente.** La utilización de captador de polvo puede disminuir los peligros relacionados con el polvo.
- **No permita que la familiaridad obtenida por el uso frecuente de las herramientas lo vuelva complaciente e ignore los principios de seguridad de las herramientas.** Una acción sin cuidado adecuado puede causar lesiones graves en una fracción de segundo.

EMPLEO Y CUIDADO DE LA HERRAMIENTA ELÉCTRICA

- **No fuerce la herramienta eléctrica. Utilice la herramienta eléctrica adecuada para cada trabajo.** La herramienta eléctrica adecuada efectúa mejor y de manera más segura el trabajo, si además se maneja a la velocidad para la que está diseñada.
- **No utilice la herramienta si el interruptor no enciende o no apaga.** Cualquier herramienta eléctrica que no pueda controlarse con el interruptor es peligrosa y debe repararse.
- **Desconecte la clavija del suministro de corriente o retire el paquete de baterías de la herramienta eléctrica, según sea el caso, antes de efectuarle cualquier ajuste, cambiarle accesorios o guardarla.** Tales medidas preventivas de seguridad reducen el riesgo de poner en marcha accidentalmente la herramienta.

ADVERTENCIAS DE SEGURIDAD PARA HERRAMIENTAS ELÉCTRICAS

- **Guarde las herramientas eléctricas desocupadas fuera del alcance de los niños y no permita que las utilicen personas no familiarizadas con las mismas o con estas instrucciones.** Las herramientas eléctricas son peligrosas en manos de personas no capacitadas en el uso de las mismas.
- **Preste servicio a las herramientas eléctricas. Revise para ver si hay desalineación o atoramiento de piezas móviles, ruptura de piezas o cualquier otra condición que pueda afectar el funcionamiento de la herramienta. Si está dañada la herramienta eléctrica, permita que la reparen antes de usarla.** Numerosos accidentes son causados por herramientas eléctricas mal cuidadas.
- **Mantenga las herramientas de corte afiladas y limpias.** Las herramientas de corte bien cuidadas y con bordes bien afilados, tienen menos probabilidad de atascarse en la pieza de trabajo y son más fáciles de controlar.
- **Utilice la herramienta eléctrica, los accesorios y brocas, hojas y cuchillas de corte, ruedas de esmeril, etc. de conformidad con estas instrucciones, tomando en cuenta las condiciones de trabajo y la tarea por realizar.** Si se utiliza la herramienta eléctrica para operaciones diferentes de las indicadas podría originar una situación peligrosa.
- **Mantenga los mangos y superficies de agarre secos, limpios y libres de aceite y grasa.** Los mangos y superficies de agarre resbaladizos no permiten una manipulación y control seguros de la herramienta en situaciones inesperadas..
- **Utilice las herramientas eléctricas sólo con los paquetes de baterías específicamente indicados.** El empleo de paquetes de baterías diferentes puede presentar un riesgo de incendio.
- **Cuando no esté utilizándose el paquete de baterías, manténgalo lejos de otros objetos metálicos, como clips, monedas, llaves, clavos, tornillos o otros objetos metálicos, pequeños que puedan establecer conexión entre ambas terminales.** Establecer una conexión directa entre las dos terminales de las baterías puede causar quemaduras o incendios.
- **Si se maltratan las baterías, puede derramarse líquido de las mismas; evite todo contacto con éste. En caso de contacto, lávese con agua. Si el líquido llega a tocar los ojos, además busque atención médica.** El líquido de las baterías puede causar irritación y quemaduras.
- **No utilice una batería o herramienta dañada o modificada.** Las baterías dañadas o modificadas pueden tener un funcionamiento impredecible que provoque incendios, explosiones o riesgo de lesiones.
- **No exponga la batería o herramienta al fuego o a temperaturas excesivas.** La exposición al fuego o a una temperatura superior a los 130 °C (265 °F) puede provocar explosiones.
- **Siga todas las instrucciones de carga y no cargue el paquete de baterías ni el aparato fuera del rango de temperaturas especificado en las instrucciones.** Si realiza la carga en forma incorrecta o fuera de la temperatura del rango especificado, puede dañar la batería y aumentar el riesgo de incendios.

EMPLEO Y CUIDADO DE LA HERRAMIENTA DE BATERÍAS

- **Sólo cargue el paquete de baterías con el cargador especificado por el fabricante.** Un cargador adecuado para un tipo paquete de baterías puede significar un riesgo de incendio si se emplea con un paquete de baterías diferente.

SERVICIO

- **Permita que un técnico de reparación calificado preste servicio a la herramienta eléctrica, y sólo con piezas de repuesto idénticas.** De esta manera se mantiene la seguridad de la herramienta eléctrica.
- **No realice nunca tareas de mantenimiento en baterías dañadas.** La reparación de baterías solo puede ser realizada por el fabricante o proveedores de servicio autorizados.

ADVERTENCIAS DE SEGURIDAD DE LA PODADORA DE SETOS

- **Mantenga todas las partes del cuerpo alejadas de la hoja de corte. No retire material cortado ni sujete material por cortar mientras estén moviéndose las hojas. Asegúrese de apagar la máquina cuando retire el material atascado. La hoja de corte continúa girando por inercia después de apagarse la unidad.** Un momento de inatención al utilizar una podadora de setos puede causar lesiones corporales serias.
- **Transporte la podadora de setos del mango con la hoja de corte apagada.** Un manejo apropiado de la podadora de setos reduce la posibilidad de que haya lesiones producidas por las hojas de corte.
- **Al transportar o almacenar la podadora de setos, coloque siempre la cubierta de la hoja.** La manipulación adecuada de la podadora de setos reducirá el riesgo de lesiones personales causadas por las hojas.
- **Al retirar material atascado o realizar tareas de mantenimiento en la unidad, asegúrese de que todos los interruptores de alimentación estén apagados y de haber retirado o desconectado la batería.** La activación inesperada de la podadora de setos mientras quita material atascado o realiza tareas de mantenimiento podría ocasionar lesiones personales graves.
- **Mantenga todos los cables de alimentación alejados del área de corte.** Los cables de alimentación podrían estar ocultos en setos o arbustos, y la cuchilla podría cortarlos accidentalmente.
- **No use la podadora de setos en condiciones climáticas adversas, especialmente cuando exista riesgo de rayos.** Esto disminuirá el riesgo de que lo alcance un rayo.

ADVERTENCIAS DE SEGURIDAD DE LA PODADORA DE SETOS

- **Coloque la máquina encendida en superficies firmes y aisladas únicamente, porque la hoja de corte puede entrar en contacto con cables ocultos o con el cable propio.** Las hojas de corte que entren en contacto con un cable “con carga” puede hacer que la electricidad se transmita a las piezas metálicas expuestas de la herramienta eléctrica y puede provocar una descarga eléctrica en el operador.
- **PELIGRO — Mantenga las manos alejadas de la hoja.** Entrar en contacto con la hoja puede provocar lesiones corporales serias.
- **ADVERTENCIA —** Sólo uso con mango y protección ensamblado apropiadamente podadora de setos. El uso del podadora de setos sin el protección o el mango apropiados proporcionados puede tener como resultado herida personal grave.

ADVERTENCIAS DE SEGURIDAD DE LA PODADORA DE SETOS DE ALCANCE EXTENDIDO

- **Para reducir el riesgo de electrocución, nunca use la podadora de setos de alcance extendido cerca de cables eléctricos.** El contacto con cables de alimentación eléctricos o el uso cerca de ellos podría causar lesiones graves o descargas eléctricas que pueden ocasionar la muerte.
- **Utilice siempre las dos manos cuando opere la podadora de setos de alcance extendido.** Sostenga la podadora de setos de alcance extendido con ambas manos para evitar la pérdida de control.
- **Utilice siempre protección para la cabeza cuando opere la podadora de setos de alcance extendido por encima de la cabeza.** La suciedad arrojada puede causar lesiones personales graves.




REGLAS DE SEGURIDAD ADICIONALES

- **No vista ropas holgadas ni joyas. Recójase el cabello si está largo.** Las ropas holgadas y las joyas, así como el cabello largo, pueden resultar atraídas hacia el interior de las aberturas de ventilación.
- **No utilice la unidad al estar en una escalera, techos o en un soporte inestable.** Una postura estable sobre una superficie sólida permite un mejor control de la herramienta eléctrica en situaciones inesperadas.
- **Póngase pantalones, mangas largas, botas y guantes gruesos.** No se ponga ropa holgada o pantalones cortos, sandalias ni ande descalzo. No se ponga joyas de ninguna clase.
- **Utilice ambas manos para trabajar con la podadora de setos.** Si utiliza una sola mano puede perder el control y terminar en lesiones corporales serias.
- Antes de encender la podadora de setos, asegúrese de que la hoja no esté en contacto con ningún objeto.
- Apague la unidad, retire el paquete de baterías y asegúrese de que se haya detenido la hoja antes de poner en reposo la unidad.
- Nunca corte ningún material de un diámetro superior a 15,9 mm (5/8 pulg.).
- **Despeje el área de corte antes de utilizar.** Quite todos los objetos tales como cables, luces, alambres o cuerdas sueltas que puedan enredarse con la hoja de corte y crear el riesgo de lesiones personales graves.











- Siempre detenga el motor al retardar un corte o al caminar de un lugar donde esté cortando a otro.
- Mantenga la unidad libre de recortes de césped y otros materiales. Pueden alojarse en las hojas de corte.
- Si la podadora de setos está equipada con un eliminador de desechos, no lo utilice como superficie de sujeción.
- Guarde la unidad dentro de un lugar seco, ya sea bajo llave o en lo alto para evitar el uso no autorizado y daños a la misma. Mantenga la unidad fuera del alcance de los niños y de personas sin capacitación.
- Coloque de nuevo la cubierta de la hoja cuando no tenga en uso la unidad.
- Nunca moje ni rocíe con agua ni con ningún otro líquido la unidad. Mantenga secos, limpios y sin basura los mangos. Limpie la unidad después de usarla; vea el apartado Instrucciones para guardar la unidad.
- Mantenga asegurada la unidad mientras la transporta.
- Las herramientas de baterías no necesitan conectarse a una toma de corriente; por lo tanto, siempre están en condiciones de funcionamiento. Esté consciente de los posibles peligros incluso si no está encendida la unidad.
- Retire el paquete de baterías antes de ajustar, limpiar, guardar o quitar material de la unidad, o cuando no la tenga en uso.
- **Cuando transporta o almacena la podadora de setos siempre coloque la cubierta sobre la hoja de la máquina.**
- **Mantenga la cable alejadas de las hojas.** Durante el funcionamiento el cable puede ser ocultado en arbustos y puede ser cortado accidentalmente por la hoja.
- Siempre póngase protección ocular con protección lateral con la marca de cumplimiento de la norma ANSI Z87.1 junto con protección para los oídos. Póngase la protección de cabeza al utilizar esta producto encima del nivel de hombro. Con el cumplimiento de esta rela se reduce el riesgo de posibles lesiones oculares.
- Mantenga a todos los espectadores, los niños, y acaricie por lo menos 50 pies lejos. Los espectadores deben ser favorecidos a llevar la protección de ojo.
- En una situación de emergencia, utilice los clips de resorte en la correa para el hombro de liberación rápida para liberarse de correa y la podadora de setos.
- Nunca use agua ni otros líquidos para limpiar o enjuagar la product y no esponga la unidad a la lluvia ni de condiciones húmedas. Almacene la unidad en el interior en un lugar seco. Los líquidos corrosivos, el agua, y los productos químicos pueden ingresar los componentes eléctricos del producto y/o al compartimiento de la batería y dañar los componentes eléctricos o el paquete de la batería, lo que podría resultar en un corto circuito, mayor riesgo de incendio y lesiones personales graves. Retire la acumulación de suciedad y los residuos limpiando el producto con un trapo seco de manera ocasional.
- Usar este producto únicamente con la baterías y el cargadors indicados en el folleto de la herramienta/aparato/paquete de baterías/cargador complementario 988000-842.
- Guarde estas instrucciones. Consúltelas con frecuencia y empléelas para instruir a otras personas que puedan utilizar esta herramienta. Si presta a alguien esta herramienta, facilítele también las instrucciones.

SÍMBOLOS

Las siguientes palabras de señalización y sus significados tienen el objeto de explicar los niveles de riesgo relacionados con este producto.



SÍMBOLO	SEÑAL	SIGNIFICADO
	PELIGRO:	Indica una situación peligrosa, la cual, si no se evita, causará la muerte o lesiones serias.
	ADVERTENCIA:	Indica una situación peligrosa, la cual, si no se evita, podría causar la muerte o lesiones serias.
	PRECAUCIÓN:	Indica una situación peligrosa, la cual, si no se evita, podría causar lesiones menores o leves.
	AVISO:	(Sin el símbolo de alerta de seguridad) Indica la información que se considera importante, pero no relacionada con lesiones potenciales (por ej. en relación a daños a la propiedad).

Es posible que se empleen en esta producto algunos de los siguientes símbolos. Le suplicamos estudiarlos y aprender su significado para mayor seguridad al manejar este producto.

SÍMBOLO	NOMBRE	DENOMINACIÓN / EXPLICACIÓN
	Alerta de seguridad	Indica un peligro posible de lesiones personales.
	Lea el manual del operador	Para reducir el riesgo de lesiones, el usuario debe leer y comprender el manual del operador antes de usar este producto.
	Póngase protección para los ojos y la cabeza	Siempre póngase protección ocular con protección lateral con la marca de cumplimiento de la norma ANSI Z87.1, así como protección para la cabeza.
	Alerta de condiciones húmedas	No exponga la batería, el compartimento de la batería o componentes electrónicos a la lluvia, el agua o líquidos. No exponga la producto a la lluvia o a lugares húmedos, ni cargue la batería en esas condiciones.
	Guantes	Cuando maneje la sierra y la hoja de corte, póngase guantes protectores no deslizantes para uso pesado.
	Calzado de seguridad	Cuando utilice este equipo póngase calzado de seguridad antideslizante.
	Evite las cables eléctricos / Mantenga alejadas a las personas presentes	¡PELIGRO! ¡Riesgo de electrocución! No trabaje a menos de 15 m (50 pies) de cables eléctricos. Mantenga a los circunstantes a una distancia mínima de 15 m (50 pies)
	Descarga eléctrica	Si no se usa la unidad en condiciones secas y no se observan prácticas seguras de trabajo, puede producirse una descarga eléctrica.
	Símbolo de no acercar las manos	Si no mantiene las manos alejadas de la hoja de corte, se causará serias lesiones corporales.
	Use las dos manos	Sujete y opere la podadora de setos con ambas manos.

SÍMBOLOS

Es posible que se empleen en esta producto algunos de los siguientes símbolos. Le suplicamos estudiarlos y aprender su significado para mayor seguridad al manejar este producto.

SÍMBOLO	NOMBRE	denominación/EXPLICACIÓN
	Piezas móviles	Mantenga las manos lejos de piezas en movimiento.
	Símbolo de reciclado	Este producto utiliza baterías de iones de litio (Li-ion). Es posible que algunas leyes municipales, estatales o federales prohíban desechar las baterías en la basura normal. Consulte a las autoridades reguladoras de desechos para obtener información en relación con las alternativas de reciclado y desecho disponibles.
V	Voltios	Voltaje
hrs	Horas	Tiempo
==	Corriente continua	Tipo o característica de corriente
n_0	Velocidad en vacío	Velocidad de rotación, en vacío
.../min	Por minuto	Revoluciones, carreras, velocidad superficial, órbitas, etc., por minuto

CARACTERÍSTICAS

ESPECIFICACIONES DEL PRODUCTO

Motor..... 18 V, corr. cont.
 Longitud de la hoja..... 457,2 mm (18 pulg.)

Capacidad de corte..... jusqu'à 15,9 mm (5/8 pulg.)
 Velocidad de corte3 000 cortes por minuto

FAMILIARÍCESE CON EL PRODUCTO

Vea la figura 1.

El uso seguro que este producto requiere la comprensión de la información impresa en la producto y en el manual del operador así como ciertos conocimientos sobre el proyecto a realizar. Antes de usar este producto, familiarícese con todas las características de funcionamiento y normas de seguridad.

CUBIERTA DE LA HOJA

Cubierta de la hoja impide que el operador toque las afiladas hojas cuando no tenga en uso la herramienta. También ayuda a impedir que las las hojas resulten melladas o dañadas cuando está guardada la herramienta.

PROTECCIÓN

La protección ayuda a desviar virutas u otros desechos de la dirección donde están las manos del operador.

SEGURO

Seguro evita los arranques accidentales.

CABEZA PIVOTANTE DE TRES POSICIONES

La cabeza de la podadora de setos puede ajustarse con el botón del pivote.

ARMADO

DESEMPAQUETADO

Este producto requiere armarse.

- Extraiga cuidadosamente de la caja el producto y los accesorios. Asegúrese de que estén presentes todos los artículos enumerados en la **Lista de empaquetado**.

ADVERTENCIA:

No utilice este producto si alguna pieza incluida en la **Lista de empaquetado** ya está ensamblada al producto cuando lo desempaqueta. El fabricante no ensambla las piezas de esta lista en el producto. Éstas deben ser instaladas por el usuario. El uso de un producto que puede haber sido ensamblado de forma inadecuada podría causar lesiones personales graves.

- Inspeccione cuidadosamente el producto para asegurarse de que no haya sufrido ninguna rotura o daño durante el transporte.
- No deseche el material de empaquetado hasta que haya inspeccionado cuidadosamente el producto y la haya utilizado satisfactoriamente.
- Si hay piezas dañadas o faltantes, le suplicamos llamar al 1-800-525-2579, donde le brindaremos asistencia.

LISTA DE EMPAQUETADO

Cabezal de podadora de setos

Eje intermedia

Mango eléctrico

Cubierta de la hoja

Arnés para hombros

Manual del operador

ADVERTENCIA:

Si falta o está dañada alguna pieza, no utilice este producto sin haber reemplazado la pieza. Usar este producto con partes dañadas o faltantes puede causar lesiones serias al operador.

ADVERTENCIA:

No intente modificar este producto ni hacer accesorios no recomendados para la misma. Cualquier alteración o modificación constituye maltrato el cual puede causar una condición peligrosa, y como consecuencia posibles lesiones corporales serias.

ADVERTENCIA:

Para evitar un arranque accidental que podría causar lesiones corporales serias, siempre desmonte de la producto el paquete de baterías al montar piezas a aquélla.

ADVERTENCIA:

Las hojas de la podadora de setos están sumamente afiladas. No retire la cubierta de la hoja sino hasta que la podadora de setos esté completamente armada y lista para usarse. Siempre tenga precaución al retirar la cubierta de la hoja. De lo contrario puede ocurrir un riesgo de lesiones graves.

CÓMO ACOPLAR EL MANGO

Vea la figura 2.

- Inserte el enchufe de la barra intermedia en la toma del mango eléctrico y empuje hasta que las piezas en-ganchen por completo. El enchufe es más grande en un lado y solo podrá colocarse de una manera.
- Empuje el collar del mango eléctrico en la base roscada de la barra intermedia y gírelo hacia la derecha para asegurarlo.
- Repita el proceso para conectar la barra intermedia al cabezal de la podadora de setos. Tenga cuidado de no romper la rosca.

NOTA: Si están ensamblados correctamente, el mango eléctrico y el cabezal de la podadora de setos no deben poder separarse de la barra intermedia al tirar. Asegúrese de que los collares roscados estén bien ajustados.

ADVERTENCIA:

Si no ensambla y bloquea firmemente todas las barras como se indica arriba, podrían separarse y ocasionar lesiones personales graves o la muerte.

MONTAJE DEL SECCIÓN DEL ARNÉS PARA LOS HOMBROS

Vea la figura 3.

- Si está instalado, retire el paquete de baterías.
- Conecte los pestillos del arnés para hombros a los ganchos de las correas.
- Ajuste la correa para dejarla en una posición cómoda.

FUNCIONAMIENTO

ADVERTENCIA:

No permita que su familiarización con este producto lo vuelva descuidado. Tenga presente que un descuido de un instante es suficiente para causar una lesión grave.

ADVERTENCIA:

Siempre póngase protección ocular con protección lateral con la marca de cumplimiento de la norma ANSI Z87.1, así como protección para la cabeza. Si no cumple esta advertencia, los objetos que salen despedidos pueden producirle lesiones serias en los ojos.

ADVERTENCIA:

No utilice ningún aditamento o accesorio no recomendado por el fabricante de este producto. El empleo de aditamentos o accesorios no recomendados podría causar lesiones serias.

AVISO:

Antes de cada uso, inspeccione todo el producto para detectar algún daño, partes faltantes o sueltas, como tornillos, tuercas, pernos, tapas, etc. Ajuste firmemente todos los sujetadores y las tapas y no active este producto hasta que todas las partes faltantes o dañadas sean reemplazadas. Póngase en contacto con el servicio al cliente o con un centro de servicio calificado para obtener ayuda.

USOS

Este producto puede emplearse para los fines enumerados abajo:

- Recortar y dar forma a setos y arbustos

INSTALAR/RETIRAR DEL PAQUETE DE BATERÍAS

Vea la figura 4.

ADVERTENCIA:

Retire siempre el paquete de baterías de la herramienta antes de instalar las piezas, realizar ajustes, limpiarla, llevar, transportar, o cuando no la utilice. Retirar el paquete de baterías evitará que la unidad se accione accidentalmente y provoque lesiones graves.

Para instalar:

- Instalar de la herramienta el paquete de batería como se muestra.

ADVERTENCIA:

Asegúrese de que el pestillo en la parte inferior del paquete de baterías entre adecuadamente en su lugar y que el paquete de baterías esté bien colocado y asegurado en el puerto de batería de la podadora de setos antes de que encenderla. Una falla en colocar el paquete de baterías de forma segura puede causar que el paquete de baterías se desprenda y termine provocando lesiones corporales serias.

AVISO:

Al colocar el paquete de baterías en la herramienta, asegúrese que la costilla realzada del mismo quede alineada con la parte inferior de la herramienta y de que los pestillos entren adecuadamente en su lugar. Si no se instala debidamente el paquete de baterías pueden dañarse los componentes internos.

Para retirar:

- Presione el pestillo del paquete de baterías para liberar éste de la podadora de setos.

ADVERTENCIA:

Las herramientas que funcionan a baterías siempre están en condiciones de funcionamiento. Por lo tanto, el interruptor de bloqueo debe estar asegurado y las manos deben estar alejados del botón de bloqueo cuando la unidad no esté en uso. Retire el paquete de baterías al transportar o trasladar la podadora de setos a fin de evitar arranques accidentales que podría causar lesiones serias.

Para ver las instrucciones de carga completas, consulte los manuales del operador del paquete de baterías RYOBI y los modelos de cargador.

AJUSTE DE LA CABEZA PIVOTANTE

Vea la figura 5.

- Si está instalado, retire el paquete de baterías.
- Coloque la podadora de setos sobre una superficie plana y resistente.
- Empuje el botón pivotante y ajuste el cabezal de la recortadora hasta que quede fijo en su lugar con un chasquido, en una de las tres posiciones indicadas por las muescas.

NOTA: La podadora de setos no funcionará, a menos que esté bloqueada en una posición.

FUNCIONAMIENTO

ADVERTENCIA:

No coloque la mano entre el cabezal pivotante y la base a rosca. Si coloca la mano o los dedos en esta área, podría agarrárselos y sufrir una lesión.

ENCENDIDO Y APAGADO DE LA PODAR SETOS

Vea la figura 6.

Para arrancar el motor:

- Sujete la podar setos y asegúrese de estar alejado de cualquier cosa que pueda tocar la hoja de corte.
- Oprima y no suelte el seguro del gatillo.
- Oprima el gatillo del interruptor.

Para detener el motor:

- Suelte el gatillo cuando desee apagar la podar setos. Al soltar el gatillo, el seguro del gatillo regresa automáticamente a la posición de aseguramiento.

SUGERENCIAS PARA CORTAR

Vea las figuras 7 a 9.

DANGER:

Nunca realice cortes cerca de cordones o líneas eléctricas. Si la hoja se atora en un cordón o línea eléctrica, ¡NO LA TOQUE! PUEDE CARGARSE DE ELECTRICIDAD Y SER MUY PELIGROSA. Continúe sujetando la podadora de setos por el mango trasero, el cual está aislado, o déjela reposar lejos de usted, de alguna forma segura. Desconecte el servicio de corriente eléctrica conectado a la línea o cordón dañado antes de intentar liberar de éste(a) la hoja. El contacto con la hoja, con otras piezas conductoras de la podadora de setos o con cordones o líneas de corriente eléctrica puede producir la muerte por electrocución o lesiones serias.

ADVERTENCIA:

Siempre despeje el área de trabajo antes de poner a funcionar la herramienta. Retire todos los objetos como cordones, luces, alambre, o cordones aflojadas, los cuales pueden enredarse en la hoja de corte y presentar un riesgo de lesiones graves.

- Nunca utilice la podadora de setos cerca de líneas de alto voltaje, cercas, postes, edificaciones, ni de ningún objeto inamovible.
- Inspeccione y despeje del área todo objeto oculto.
- Nunca utilice ninguna hoja de corte después de haber tocado con ella un objeto duro sin inspeccionarla después para ver si sufrió daños. No utilice la unidad si detecta cualquier tipo de daño.
- Para protegerse de una posible electrocución, no trabaje a menos de 15 metros (50 pies) de cables eléctricos aéreos.
- Párese de manera que esté estable y equilibrado en ambos pies.
- Póngase guantes cuando corte ramas espinosas.
- Antes de encender la podadora de setos, sujete la unidad con ambas manos, con las hojas de corte apuntando en la dirección opuesta a usted. Siempre use correctamente la podadora de setos.
- Al utilizar la podadora de setos siempre sujétela con ambas manos. Sostenga firmemente el mango/vara delantero y el mango trasero. La unidad se utiliza para cortar en cualquier dirección con un movimiento lento de barrido de lado a lado.
- Si lo desea, puede utilizar un cordón para ayudarse a cortar el seto a nivel. Decida qué tan alto desea el seto. Después estire el cordón a lo largo del seto, a esta altura. Póde el seto justo arriba de esta línea de guía del cordón. Póde el costado del seto de manera que quede levemente más angosto en la parte superior. Cuando se le da forma de esta manera al seto, más área del mismo queda expuesta, y quedará más uniforme.
- Al podar el renuevo de los setos, aplique un movimiento de barrido, de manera que las hojas de corte lleguen directamente a los tallos. El renuevo viejo tiene tallos más gruesos y se poda mejor aplicando un movimiento de aserrado.
- No fuerce la podadora de setos al estar recortando arbustos espesos. Tal acción podría causar un atascamiento y una disminución en la velocidad de las hojas. Si se disminuye la velocidad de las hojas, aminore el paso.
- No intente cortar tallos o ramas más gruesas de 15,9 mm (5/8 pulg.), ni aquéllas demasiado gruesas para entrar en los entredientes de las hojas de corte. Para podar tallos gruesos utilice una sierra de podar manual o de motor.
- Si se atascan las hojas, apague el motor, permita que se detengan las hojas y retire el paquete de baterías antes de intentar quitar la obstrucción.

MANTENIMIENTO

ADVERTENCIA:

Para evitar lesiones corporales serias, siempre retire el paquete de baterías de la herramienta al limpiarla o darle mantenimiento.

ADVERTENCIA:

Siempre póngase protección ocular con protección lateral con la marca de cumplimiento de la norma ANSI Z87.1, así como protección para la cabeza. La inobservancia de esta advertencia puede permitir que los objetos lanzados hacia los ojos puedan provocarle lesiones graves.

ADVERTENCIA:

Al dar servicio a la unidad, sólo utilice piezas de repuesto idénticas. El empleo de piezas diferentes podría causar un peligro o dañar el producto.

ADVERTENCIA:

Nunca use agua ni otros líquidos para limpiar o enjuagar la product y no exponga la unidad a la lluvia ni de condiciones húmedas. Almacene la unidad en el interior en un lugar seco. Los líquidos corrosivos, el agua, y los productos químicos pueden ingresar los componentes eléctricos del producto y/o al compartimiento de la batería y dañar los componentes eléctricos o el paquete de la batería, lo que podría resultar en un corto circuito, mayor riesgo de incendio y lesiones personales graves. Retire la acumulación de suciedad y los residuos limpiando el producto con un trapo seco de manera ocasional.

AVISO:

Inspeccione periódicamente todo el producto para detectar partes dañadas, faltantes o sueltas, como tornillos, tuercas, pernos, tapas, etc. Apriete firmemente todos los sujetadores y las tapas y no accione este producto hasta que todas las partes faltantes o dañadas sean reemplazadas. Póngase en contacto con el servicio al cliente o con un centro de servicio autorizado para obtener ayuda.

MANTENIMIENTO GENERAL

Evite el empleo de solventes al limpiar piezas de plástico. La mayoría de los plásticos son susceptibles a diferentes tipos de solventes comerciales y pueden resultar dañados. Utilice paños limpios para eliminar la suciedad, el polvo, el aceite, la grasa, etc.

ADVERTENCIA:

No permita en ningún momento que fluidos para frenos, gasolina, productos a base de petróleo, aceites penetrantes, etc., lleguen a tocar las piezas de plástico. Las sustancias químicas pueden dañar, debilitar o destruir el plástico, lo cual a su vez puede producir lesiones corporales serias.

TRANSPORTE Y ALMACENAMIENTO

- Siempre coloque la cubierta de la hoja en ésta antes de guardar o de transportar la podadora de setos. Tenga precaución y evite tocar los afilados dientes de la hoja de corte.
- Limpie la podadora de setos completamente antes de guardarla. Guarde la podadora de setos en el interior, en un lugar seco inaccesible a los niños. Evite que la unidad entre en contacto con agentes corrosivos como las sustancias químicas para el jardín y las sales para derretir el hielo.

LUBRICACIÓN DE LA HOJA DE CORTE

Vea la figura 10.

ADVERTENCIA:

Permita que se detengan las hojas de la podadora de setos y retire el paquete de baterías antes de lubricación o el afilado de la hoja. De lo contrario la unidad puede ponerse en marcha accidentalmente, con el consiguiente riesgo de lesiones corporales serias.

Para facilitar el manejo de la unidad y prolongar la vida de servicio de la hoja, siempre lubrique ésta antes y después de utilizar la podadora de setos.

- Retire el paquete de baterías de la podadora de setos.
- Deposite la podadora de setos en una superficie horizontal. Aplique aceite de baja viscosidad para máquina a lo largo del filo de la hoja superior.

NOTA: Si va a estar utilizando la podadora de setos durante un período de tiempo prolongado, se recomienda aceitar la hoja periódicamente.

- Apague la podadora de setos.
- Retire el paquete de baterías.
- Lubrique la podadora de setos como se explica arriba.
- Vuelva a instalar el paquete de baterías y reanude el trabajo.

MANTENIMIENTO

AFILADO DE LA HOJA DE CORTE

Vea la figura 11.

- Permita que se detengan las hojas de la podadora de setos en la posición mostrada. De esta manera se da espacio libre para la lima, entre los dientes de corte y los de protección.
- Retire el paquete de baterías de la podadora de setos.
- Sujete el conjunto de las hojas en una prensa de banco y lime la superficie expuesta de cada diente con una lima redonda de 203 mm (8 pulg.) de largo y 6,4 mm (1/4 pulg.) o 5,6 mm (7/32 pulg.) de diámetro. Asegúrese de conservar el ángulo original de los dientes al limarlos.
- Retire de la prensa de banco la podadora de setos, coloque de nuevo el paquete de baterías y encienda de nuevo la unidad. Permita que se detengan las hojas de la podadora de setos en la posición mostrada, para dejar expuestos los filos sin afilar de los dientes de la hoja.
- Retire el paquete de baterías de la podadora de setos y repita el procedimiento de afilado como se explica arriba.

LIMPIEZA DE LA PODADORA DE SETOS

- Retire el paquete de baterías.
- Con un movimiento de deslizamiento coloque la cubierta de la hoja sobre ésta.

- Limpie toda la tierra y la basura del cuerpo de la podadora de setos con un paño humedecido con un detergente suave.

NOTA: No aplique ningún detergente fuerte al alojamiento de plástico ni al mango. Pueden resultar dañados por ciertos aceites aromáticos como los de pino y limón, así como por solventes como el queroseno.

- La humedad puede causar un riesgo de descarga eléctrica. Limpie toda humedad depositada con un paño suave seco.
- Con un cepillo pequeño o con el aire de una aspiradora pequeña limpie el polvo y la basura de las aberturas de aire del alojamiento del motor.

GUARDAR LA PODADORA DE SETOS

Vea la figura 12.

- Limpie completamente la podadora de setos antes de guardarla. Guarde la podadora de setos en un espacio bien ventilado inaccesible a los niños. Evite que la unidad entre en contacto con agentes corrosivos como las sustancias químicas para el jardín y las sales para derretir el hielo.
- Siempre coloque la cubierta de la hoja en éstas antes de guardar la podadora de setos.

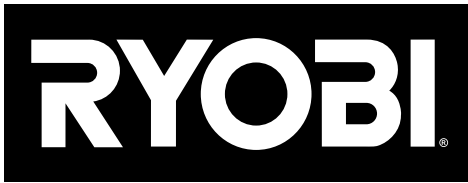


LLÁMENOS PRIMERO

Si tiene preguntas sobre el funcionamiento o el mantenimiento este producto, llame al teléfono de atención al consumidor de RYOBI!

La recortadora ha sido probada enteramente antes de embarcarse para asegurar la satisfacción del consumidor.

Este producto tiene una garantía limitada de cinco años para fines personales, familiares o domésticos (90 días para usos trabajo o comercial). Para obtener detalles sobre la garantía, diríjase a www.ryobitools.com o llame sin cargo al 1-800-525-2579.



OPERATOR'S MANUAL
MANUEL D'UTILISATION / MANUAL DEL OPERADOR
18 VOLT POLE HEDGE TRIMMER
TAILLE-HAIES DE MANCHE 18 V /
PODADORA DE SETOS DE PÉRTIGA DE 18 V
P26010

- **PARTS AND SERVICE:** Prior to requesting service or purchasing replacement parts, please obtain your item, manufacturing, and serial numbers from the product data plate.

ITEM NO.* _____ **MANUFACTURING NO.** _____
SERIAL NO. _____

** Model/item number on product may have additional letters at the end. These letters designate manufacturing information and should be provided when calling for service.*

HOW TO OBTAIN REPLACEMENT PARTS: Replacement parts can be purchased online at www.ryobitools.com or by calling 1-800-525-2579. Replacement parts can also be obtained at one of our service centers.

HOW TO LOCATE A SERVICE CENTER: Service centers can be located online at www.ryobitools.com or by calling 1-800-525-2579.

HOW TO OBTAIN CUSTOMER OR TECHNICAL SUPPORT: To obtain customer or technical support please contact us at 1-800-525-2579.

RYOBI is a trademark of Ryobi Limited and is used pursuant to a license granted by Ryobi Limited.

- **PIÈCES ET SERVICE :** Avant de faire la demande de service ou l'achat de pièces de remplacement, veuillez obtenir le numéro d'article, le numéro de fabrication et le numéro de série à partir de la plaque de données du produit.

NUMÉRO D'ARTICLE* _____ **NUMÉRO DE FABRICATION** _____
NUMÉRO DE SÉRIE _____

** Le numéro de modèle/article sur le produit peut contenir des lettres supplémentaires à la fin. Ces lettres désignent les informations du fabricant et doivent être fournies lors d'un appel de demande de service.*

COMMENT OBTENIR LES PIÈCES DE REMPLACEMENT : Les pièces de remplacement peuvent être achetées en ligne sur le site www.ryobitools.com ou par téléphone au 1-800-525-2579. Les pièces de remplacement peuvent être obtenues à un de nos centres de service.

COMMENT TROUVER UN CENTRE DE SERVICE : Les centres de service peuvent être localisés en ligne au www.ryobitools.com ou en téléphonant au 1-800-525-2579.

COMMENT OBTENIR DE L'AIDE EN CONTACTANT LE SERVICE À LA CLIENTÈLE : Pour contacter le service à la clientèle pour une question technique ou pour tout autre renseignement, veuillez nous téléphoner au 1-800-525-2579.

RYOBI est une marque de Ryobi Limited et est utilisée en vertu d'une licence accordée par Ryobi Limited.

- **PIEZAS DE REPUESTO Y SERVICIO:** Antes de solicitar servicio técnico o comprar piezas de repuesto, obtenga su número de artículo, el número de fabricación y el número de serie de la placa de datos del producto.

NÚMERO DE ARTÍCULO* _____ **NÚMERO DE FABRICACIÓN** _____
NÚMERO DE SERIE _____

** El número de modelo/artículo que figura en el producto podría tener letras adicionales al final. Estas designan información de fabricación y deben suministrarse cuando llame para obtener asistencia o servicio.*

CÓMO OBTENER PIEZAS DE REPUESTO: Las piezas de repuesto se pueden comprar en nuestro sitio en la red mundial, en la dirección www.ryobitools.com o llamando al 1-800-525-2579. Las piezas de repuesto también se pueden obtener en uno de nuestros centros de servicio.

CÓMO LOCALIZAR UN CENTRO DE SERVICIO: Puede encontrar los centros de servicio visitando nuestro sitio en la red mundial, en la dirección www.ryobitools.com or by calling 1-800-525-2579.

CÓMO OBTENER SERVICIO O ASISTENCIA TÉCNICA AL CONSUMIDOR: Para obtener servicio o asistencia técnica al consumidor, sírvase comunicarse con nosotros llamando al 1-800-525-2579.

RYOBI es una marca de Ryobi Limited y se utiliza conforme a una licencia otorgada por Ryobi Limited.

TECHTRONIC INDUSTRIES POWER EQUIPMENT