



OPERATOR'S MANUAL

MANUEL D'UTILISATION MANUAL DEL OPERADOR

18 VOLT POLE SAW

SCIE DE MANCHE 18 V

SIERRA DE PÉRTIGA DE 18 V

P2501

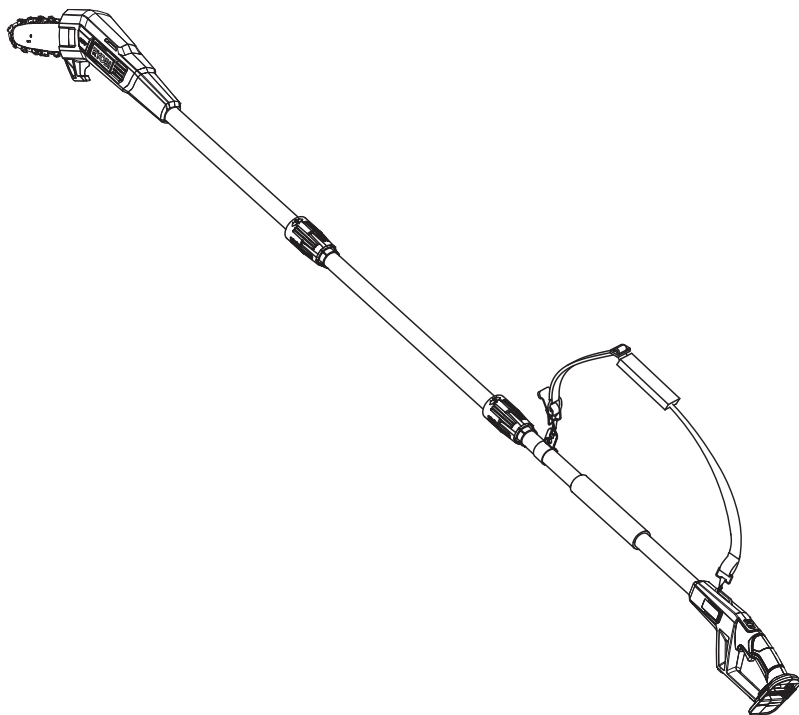


TABLE OF CONTENTS

- Important Safety Instructions..... 2-3
- Specific Safety Rules 3-5
- Symbols 5-6
- Features 7-8
- Assembly 8-10
- Operation 10-13
- Maintenance 14-19
- Troubleshooting 19
- Parts Ordering/Service..... Back Page

TABLE DES MATIÈRES

- Instructions importantes concernant la sécurité..... 2-3
- Règles de sécurité particulières..... 3-5
- Symboles 5-6
- Caractéristiques..... 7-8
- Assemblage 8-10
- Utilisation 10-13
- Entretien..... 14-19
- Dépannage..... 19
- Commande de pièces/ réparation..... Page arrière

ÍNDICE DE CONTENIDO

- Instrucciones de seguridad importantes 2-3
- Reglas de seguridad específicas 3-5
- Símbolos 5-6
- Características 7-8
- Armado 8-10
- Funcionamiento 10-13
- Mantenimiento 14-19
- Solución de problemas 19
- Pedidos de piezas/ servicio..... Pág. posterior

⚠ WARNING: To reduce the risk of injury, the user must read and understand the operator's manual before using this product.

⚠ AVERTISSEMENT : Pour réduire les risques de blessures, l'utilisateur doit lire et veiller à bien comprendre le manuel d'utilisation avant d'employer ce produit.

⚠ ADVERTENCIA: Para reducir el riesgo de lesiones, el usuario debe leer y comprender el manual del operador antes de usar este producto.

SAVE THIS MANUAL FOR FUTURE REFERENCE

CONSERVER CE MANUEL POUR FUTURE RÉFÉRENCE

GUARDE ESTE MANUAL PARA FUTURAS CONSULTAS

IMPORTANT SAFETY INSTRUCTIONS

WARNING:

Read and understand all instructions. Failure to follow all instructions listed below may result in electric shock, fire, and/or serious personal injury.

READ ALL INSTRUCTIONS

- For safe operation, read and understand all instructions before using this product. Be familiar with all controls and proper use of the machine. Follow all safety instructions. Failure to follow all safety instructions listed below, can result in serious personal injury.
- Do not allow children or untrained individuals to use this unit.
- Thoroughly inspect the area where the equipment is to be used and remove all foreign objects.
- Wear eye protection with side shields, which is marked to comply with ANSI Z87.1, along with head protection when operating this equipment.
- Dress Properly — Wear heavy long pants, long sleeves, boots, and gloves. Do not wear loose fitting clothing, short pants, sandals, or go bare-foot. Do not wear jewelry of any kind.
- Secure long hair above shoulder level to prevent entanglement in moving parts.
- Keep Children Away — Keep all bystanders, children, and pets at least 50 ft. away.
- Stay Alert — Watch what you are doing; use common sense. Do not operate this unit when you are tired, ill, upset, or under the influence of alcohol, drugs, or medication.
- Do not operate in poor lighting.
- Use Safety Glasses — Always use face or dust mask if operation is dusty.
- Disconnect Appliance — Remove battery from appliance when not in use, before servicing, when changing accessories such as bar chain.
- Don't Overreach — Keep proper footing and balance at all times. Overreaching can result in loss of balance or exposure to hot surfaces.
- Keep all parts of your body away from any moving part.
- Inspect the unit before each use for loose fasteners, etc. Replace any damaged parts before use.
- When not in use, product should be stored indoors in a dry, locked up place — out of the reach of children.
- Use only original manufacturer's replacement parts. Failure to do so may cause poor performance, possible injury, and will void your warranty.
- Do not, under any circumstance, use any attachment or accessory on this product which was not provided with the product or identified as appropriate for use with this product in the operator's manual.
- Avoid Dangerous Environments — Do not use the product in damp or wet locations. Do not use in rain.
- Stop the motor, wait until all moving parts come to a complete stop, and remove the battery pack before cleaning or performing any maintenance.
- Never use water or any liquids to clean or rinse off your product and do not expose the product to rain or wet conditions. Store indoors in a dry area. Corrosive liquids, water, and chemicals can enter the product's electronic components and/or battery compartment and damage electronic components and/or the battery pack, which can result in a short circuit, increased risk of fire, and serious personal injury. Remove any buildup of dirt and debris by wiping the product clean with a dry cloth occasionally.
- Use the Right Appliance — Do not use the product for any job except that for which it is intended.
- Do not operate from steps, a ladder, rooftop, tree, or unstable support. Stable footing on a solid surface enables better control of the product in unexpected situations.
- Do not force the product. It will do the job better and with less likelihood of a risk of injury at the rate for which it was designed.
- **DANGER** — Keep hands away from cutting area. Keep both hands on handles when power is on.

IMPORTANT SAFETY INSTRUCTIONS

- **CAUTION** — Blade coasts after being turned off.
- Do not grasp the exposed cutting blades or cutting edges when picking up or holding the product.
- Check Damaged Parts — Before further use of the product, a guard or other part that is damaged should be carefully checked to determine

that it will operate properly and perform its intended function. Check for alignment of moving parts, binding of moving parts, breakage of parts, mounting, and any other condition that may affect its operation. A guard or other part that is damaged should be properly repaired or replaced by an authorized service center unless indicated elsewhere in this manual.

SPECIFIC SAFETY RULES

- Kickback is a dangerous reaction that can lead to serious injury. Kickback may occur when the moving chain contacts an object at the upper portion of the tip of the guide bar or when the wood closes in and pinches the chain in the cut. Contact at the upper portion of the tip of the guide bar can cause the chain to dig into the object and stop the chain for an instant. The result is a lightning-fast, reverse reaction which kicks the guide bar up and back toward the operator. If the chain is pinched along the top of the guide bar, the guide bar can be driven rapidly back toward the operator, which can cause loss of control and may result in serious injury. Do not rely exclusively upon the safety devices built into the product.

With a basic understanding of kickback, you can reduce or eliminate the element of surprise. Sudden surprise contributes to accidents.

- Use pole saw for cutting wood only. Do not use for cutting non-wood items.
- Make sure that the area in which you are cutting is free from obstructions. Do not let the nose of the guide bar contact a log, branch, fence, or any other obstruction while you are operating the unit. Have a planned retreat path.
- Cut only when visibility and light are adequate for you to see clearly.
- To protect yourself from electrocution, do not operate within 50 feet of overhead electrical lines.

- In an emergency situation, use the spring clips on the quick release shoulder harness to free yourself from the harness and the pole saw.
- **WARNING** — Do not operate near electrical power lines. The unit has not been designed to provide protection from electric shock in the event of contact with overhead electric lines. Consult local regulations for safe distances from overhead electric power lines and ensure that the operating position is safe and secure before operating the saw chain pole pruner.
- Before starting the motor, make sure the chain is not contacting any object.
- To protect yourself from falling branches, do not stand directly under the branch or limb being cut. This unit should not be held at an angle over 60° from ground level.
- Turn off the motor and make sure cutting attachment has stopped before setting unit down.
- Follow the sharpening and maintenance instructions for the saw chain.
- Use only the replacement guide bars and low kickback chains specified for the unit.
- Do not operate the saw with one hand! Serious injury to the operator, helpers, bystanders, or any combination of these persons may result from one hand operation. This saw is intended for two-handed use.
- Use extreme caution when cutting small-sized brush and saplings because slender material may catch the saw chain and be whipped toward you or pull you off balance.

SPECIFIC SAFETY RULES

- When cutting a limb that is under tension, be alert for spring back so that you will not be struck when the tension in the wood fibers is released.
- To avoid accidental starting, never carry the unit with the battery installed or with your finger on the switch trigger.
- **Maintain Product With Care** — Keep cutting edge sharp and clean for best performance and to reduce the risk of injury. Follow instructions for lubricating and changing accessories. Inspect the battery charger cord periodically, and if damaged, have it replaced or repaired by an authorized service dealer.
- Keep handles dry, clean, and free from oil and grease.
- Keep all parts of the body away from the saw chain. Do not remove cut material or hold material to be cut when blades are moving. Make sure the switch is off when clearing jammed material. Saw chain continues to move after the switch is turned off. A moment of inattention while operating the pole saw may result in serious personal injury.
- Carry the pole saw by the handle with the saw chain stopped. When transporting or storing the pole saw, always place the scabbard on the saw bar. Proper handling of the pole saw will reduce possible personal injury from the saw chain.
- Hold the pole saw by insulated gripping surfaces only, because the saw chain may contact hidden wiring. A saw chain contacting a “live” wire may make exposed metal parts of the pole saw “live” and could give the operator an electric shock.
- Do not use the pole saw in bad weather conditions, especially when there is a risk of lightning. This decreases the risk of being struck by lightning.
- To reduce the risk of electrocution, never use near any electrical power lines. Contact with or use near power lines may cause serious injury or electric shock resulting in death.
- Always use two hands when operating the pole saw. Hold the pole saw with both hands to avoid loss of control.
- Always use head protection when operating the pole saw overhead. Falling debris can result in serious personal injury.
- Service on the product must be performed by qualified repair personnel only. Service or maintenance performed by unqualified personnel could result in injury to the user or damage to the product.
- Battery operated units do not have to be plugged into an electrical outlet; therefore, they are always in operating condition. Be aware of possible hazards even when unit is not operating.
- Remove the battery pack from the pole saw before cleaning, servicing, storing, removing material from the unit, changing accessories such as the bar and chain, or when not in use.
- A battery pack must be recharged only with the specified charger for the battery pack. A charger that may be suitable for one type of battery pack may create a risk of fire when used with another battery pack. Use battery pack only with charger listed.
- Use this product only with batteries and chargers listed in tool/appliance/battery pack/charger correlation supplement 987000-432.
- To reduce the risk of explosion and possible injury, do not place battery units or their batteries near fire or heat.
- Do not open or mutilate the battery pack. Released electrolyte is corrosive and may cause damage to the eyes or skin. It may be toxic if swallowed.




SPECIFIC SAFETY RULES

- Do not charge appliance in rain, or in wet locations.
- Do not charge unit in a damp or wet location. Following this rule will reduce the risk of electric shock.
- Do not dispose of batteries in a fire. The cell may explode. Batteries should be recycled, consult your local waste authority for information regarding available recycling and/or disposal options.
- Exercise care in handling batteries in order not to short terminals. When battery pack is not in use, keep it away from other metal objects like: paper clips, coins, keys, nails, screws, or other small metal objects that can make a connection from one terminal to another. Shorting the battery pack terminals together may cause sparks, burns, or a fire.
- Save these instructions. Refer to them frequently and use them to instruct others who may use this product. If you loan someone this product, loan them these instructions also to prevent misuse of the product and possible injury.

SAVE THESE INSTRUCTIONS











SYMBOLS

The following signal words and meanings are intended to explain the levels of risk associated with this product.

SYMBOL	SIGNAL	MEANING
	DANGER:	Indicates a hazardous situation, which, if not avoided, will result in death or serious injury.
	WARNING:	Indicates a hazardous situation, which, if not avoided, could result in death or serious injury.
	CAUTION:	Indicates a hazardous situation, that, if not avoided, may result in minor or moderate injury.
	NOTICE:	(Without Safety Alert Symbol) Indicates information considered important, but not related to a potential injury (e.g. messages relating to property damage).

SYMBOLS

Some of the following symbols may be used on this product. Please study them and learn their meaning. Proper interpretation of these symbols will allow you to operate the product better and safer.

SYMBOL	NAME	EXPLANATION
	Safety Alert Symbol	Indicates a potential personal injury hazard.
	Read Operator's Manual	To reduce the risk of injury, user must read and understand operator's manual before using this product.
	Wear Eye and Head Protection	Always wear eye protection with side shields marked to comply with ANSI Z87.1, along with head protection.
	Wet Conditions Alert	Do not expose battery, battery compartment, or electronic components to rain, water, or liquids. Do not charge battery or expose product to rain or damp locations.
	Gloves	Wear non-slip, heavy-duty protective gloves when handling the pole saw and the blade.
	Safety Footwear	Wear non-slip safety footwear when using this equipment.
	Keep Tool Away from Electrical Lines/Keep Bystanders Away	DANGER! Risk of electrocution! Keep tool 50 feet away from electrical lines. Keep all bystanders at least 50 ft. away.
	Electric Shock	Failure to use in dry conditions and to observe safe practices can result in electric shock.
	No Hands Symbol	Failure to keep your hands away from the blade will result in serious personal injury.
	Recycle Symbol	This product uses lithium-ion batteries. Local, state or federal laws may prohibit disposal of batteries in ordinary trash. Consult your local waste authority for information regarding available recycling and/or disposal options.
V	Volts	Voltage
≡	Direct Current	Type or a characteristic of current

FEATURES

PRODUCT SPECIFICATIONS

Motor.....	18 Volt DC
Bar Length.....	8 in.
Cutting Capacity.....	6 in.
Chain Pitch.....	3/8 in.
Chain Type.....	Standard

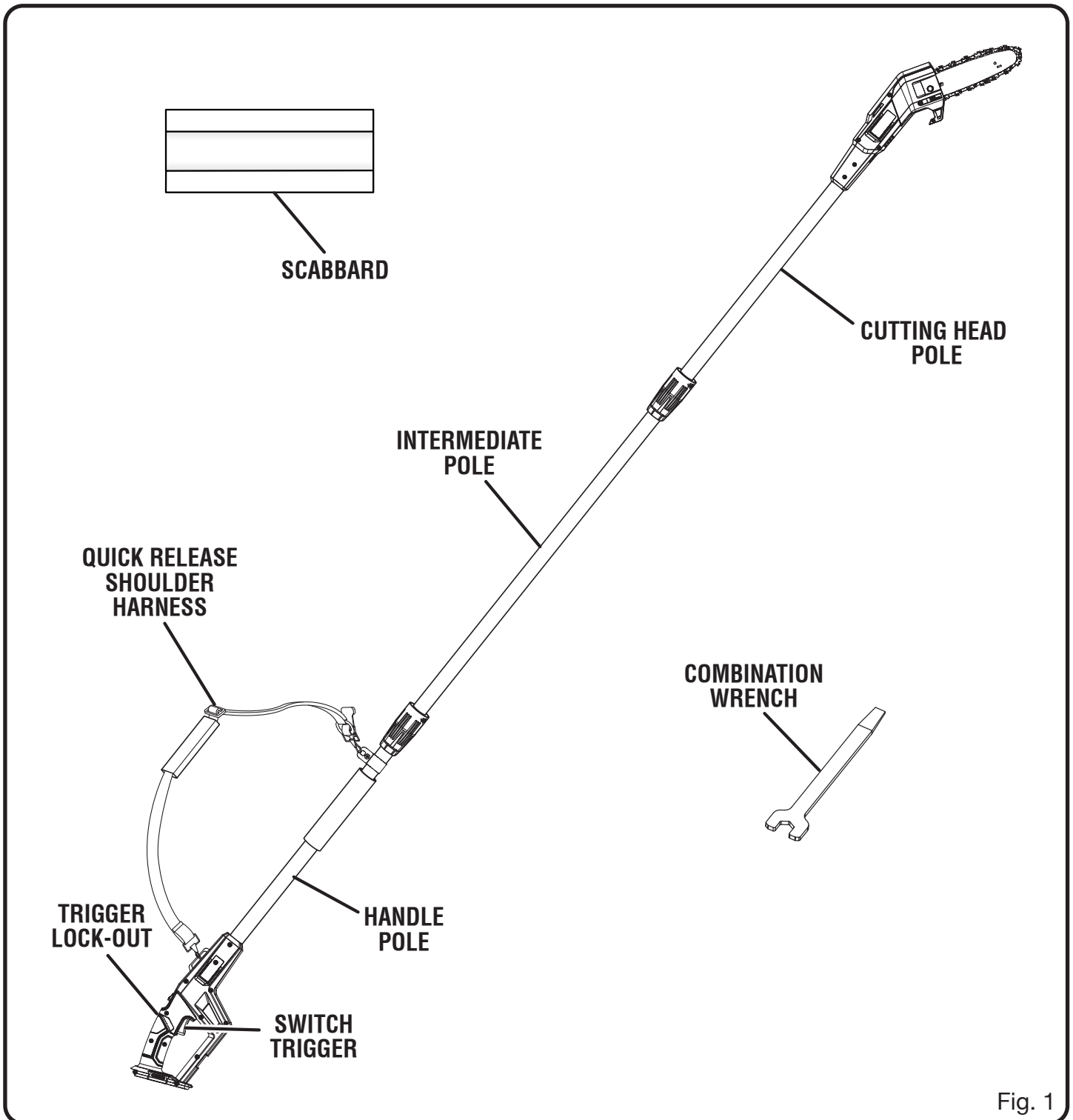


Fig. 1

FEATURES

KNOW YOUR POLE SAW

See Figure 1.

The safe use of this product requires an understanding of the information on the product and in this operator's manual as well as a knowledge of the project you are attempting. Before use of this product, familiarize yourself with all operating features and safety rules.

SCABBARD

The scabbard keeps the operator from coming in contact with the sharp blades when the tool is not in use. It also helps keep the blades from being nicked or damaged when the tool is in storage.

TRIGGER LOCK-OUT

The trigger lock-out prevents unintentional starting of the pole saw.

ASSEMBLY

UNPACKING

This product requires assembly.

- Carefully remove the product and any accessories from the box. Make sure that all items listed in the **Packing List** are included.

WARNING:

Do not use this product if any parts on the **Packing List** are already assembled to your product when you unpack it. Parts on this list are not assembled to the product by the manufacturer and require customer installation. Use of a product that may have been improperly assembled could result in serious personal injury.

- Inspect the product carefully to make sure no breakage or damage occurred during shipping.
- Do not discard the packing material until you have carefully inspected and satisfactorily operated the product.
- If any parts are damaged or missing, please call 1-800-860-4050 for assistance.

PACKING LIST

Cutting Head Pole
Intermediate Pole
Handle Pole
Scabbard
Combination Wrench
Quick Release Shoulder Harness
Operator's Manual

WARNING:

If any parts are damaged or missing, do not operate this product until the parts are replaced. Use of this product with damaged or missing parts could result in serious personal injury.

WARNING:

Do not attempt to modify this product or create accessories not recommended for use with this product. Any such alteration or modification is misuse and could result in a hazardous condition leading to possible serious personal injury.

ASSEMBLY

⚠ WARNING:

To prevent accidental starting that could cause serious personal injury, always remove the battery pack from the product when assembling parts.

CONNECTING THE POLES

See Figure 2.

- Insert the plug on the intermediate pole into the socket on the handle pole and push together until fully seated. The plug is larger on one side and will only install one way.

- Lower the collar on the handle pole to the threaded base on the intermediate pole and rotate clockwise to secure.
- Repeat this process to attach the intermediate pole to the cutting head pole.

NOTE: When assembled correctly, handle pole and cutting head pole should not be able to separate from intermediate pole when pulled. Repeat above steps if poles can be separated from intermediate pole.

⚠ WARNING:

Failure to securely assembly and lock all poles together as directed above could cause the poles to separate and could result in serious personal injury or death.

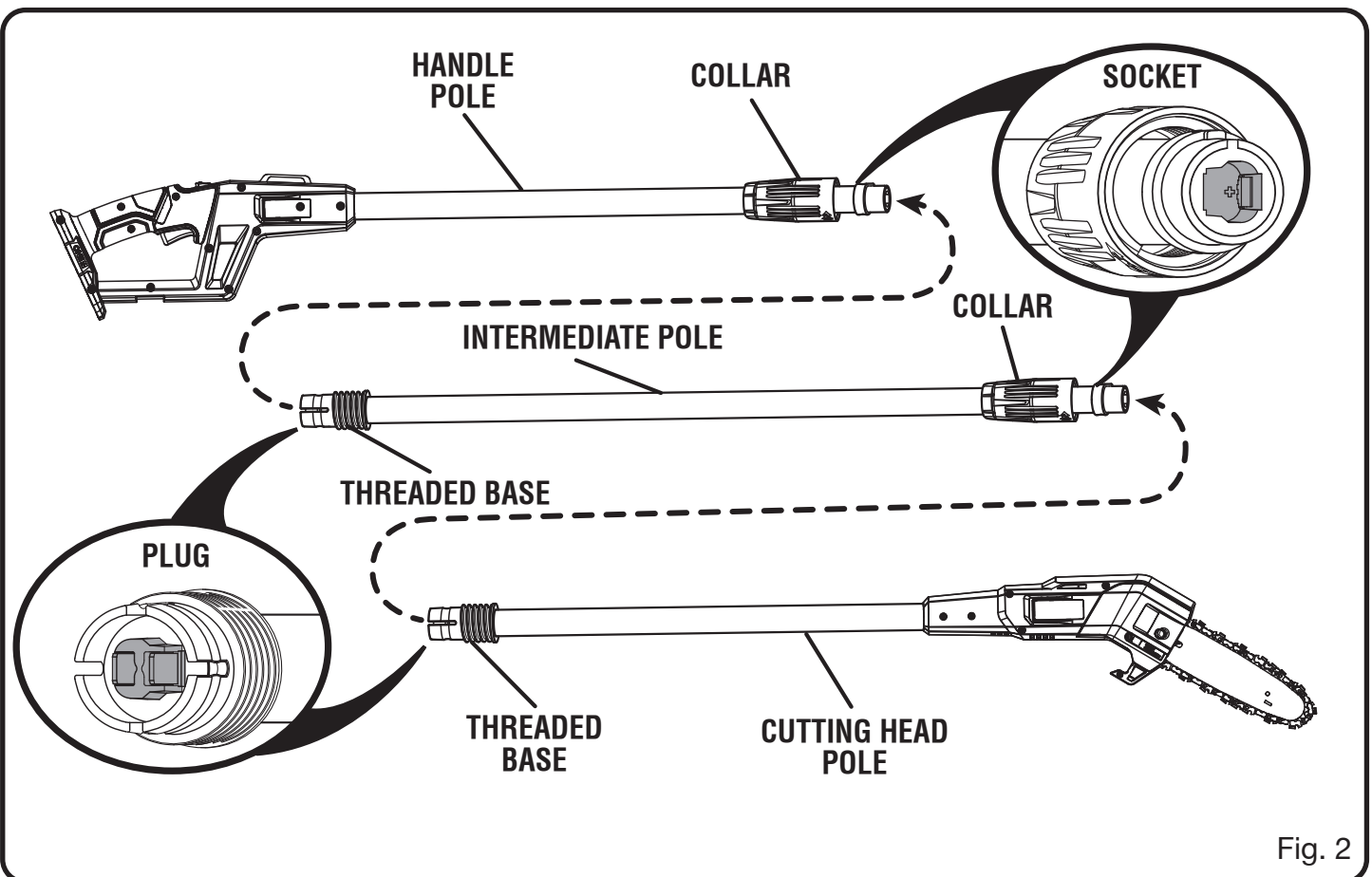


Fig. 2

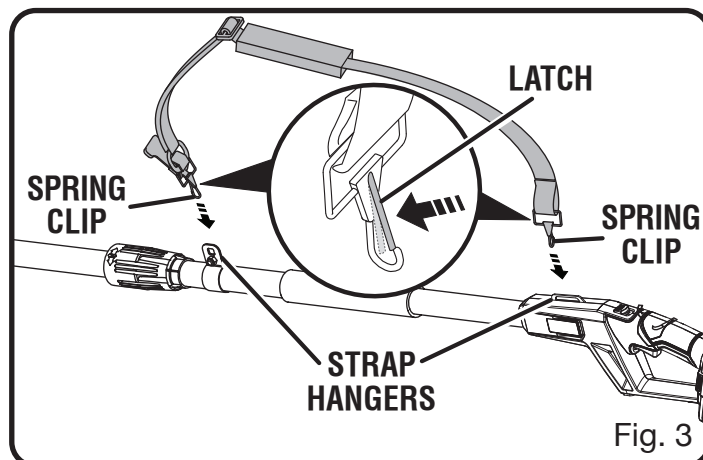
ASSEMBLY

ATTACHING THE QUICK RELEASE SHOULDER HARNESS

See Figure 3.

To prevent back and shoulder fatigue, always use the quick release shoulder harness when operating this tool. If your back or shoulders become sore, take a break and then adjust the position of the harness.

- Squeeze and hold the latch on the spring clip.
- Place the spring clip onto the strap hanger and release the latch.
- Repeat to secure second spring clip.
- Place the strap around your shoulder and adjust it to a comfortable position.



OPERATION

⚠ DANGER:

Never cut near power lines, electric cords, or other electric sources. If bar and chain jams on any electrical cord or line, **DO NOT TOUCH THE BAR OR CHAIN! THEY CAN BECOME ELECTRICALLY LIVE AND VERY DANGEROUS.** Continue to hold the pole saw by the insulated rear handle or lay it down and away from you in a safe manner. Disconnect the electrical service to the damaged line or cord before attempting to free the bar and chain from the line or cord. Contact with the bar, chain, other conductive parts of the pole saw, or live electric cords or lines will result in death by electrocution or serious injury.

⚠ WARNING:

Do not allow familiarity with this product to make you careless. Remember that a careless fraction of a second is sufficient to inflict serious injury.

⚠ WARNING:

Always wear eye protection with side shields marked to comply with ANSI Z87.1, along with head protection. Failure to do so could result in objects being thrown into your eyes and other possible serious injuries.

⚠ WARNING:

Do not use any attachments or accessories not recommended by the manufacturer of this product. The use of attachments or accessories not recommended can result in serious personal injury.

NOTICE:

Before each use, inspect the entire product for damaged, missing, or loose parts such as screws, nuts, bolts, caps, etc. Tighten securely all fasteners and caps and do not operate this product until all missing or damaged parts are replaced. Please contact customer service or an authorized service center for assistance.

APPLICATIONS

You may use this product for the purposes listed below:

- Limbing
- Pruning

OPERATION

TO INSTALL/REMOVE BATTERY PACK

See Figure 4.

⚠ WARNING:

Always remove battery pack from your tool when you are assembling parts, making adjustments, cleaning, carrying, transporting or when not in use. Removing battery pack will prevent accidental starting that could cause serious personal injury.

To install:

- Insert the battery pack into the product as shown.

⚠ WARNING:

Make sure the latches on the battery pack snap in place and the battery pack is fully seated and secure in the battery port before beginning operation. Failure to securely seat the battery pack could cause the battery pack to fall out, resulting in serious personal injury.

To remove:

Locate latches on side of battery pack and depress both sides to release the battery pack from the pole saw.

⚠ WARNING:

To avoid serious personal injury, always remove the battery pack and keep hands clear of the lock-out button when carrying or transporting the tool.

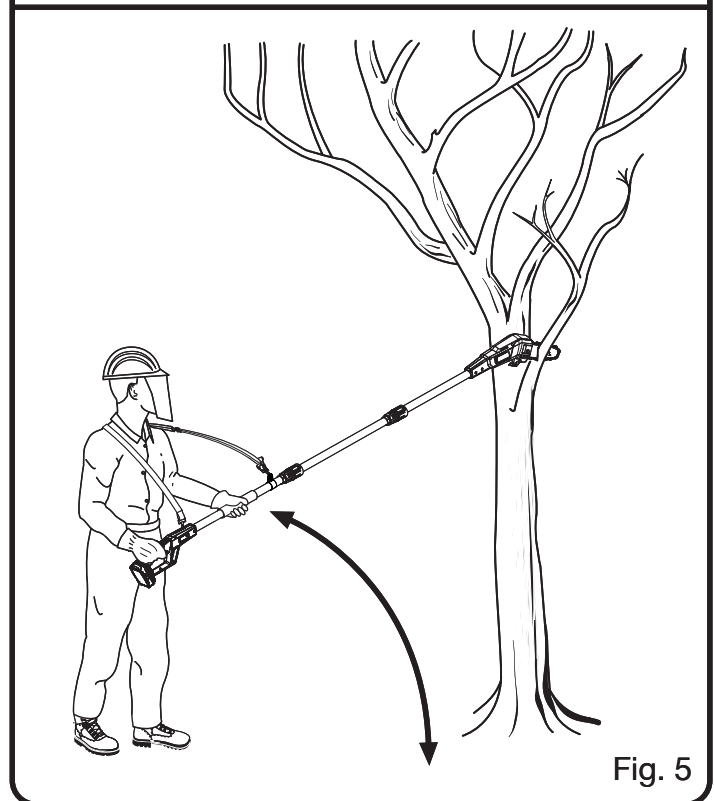
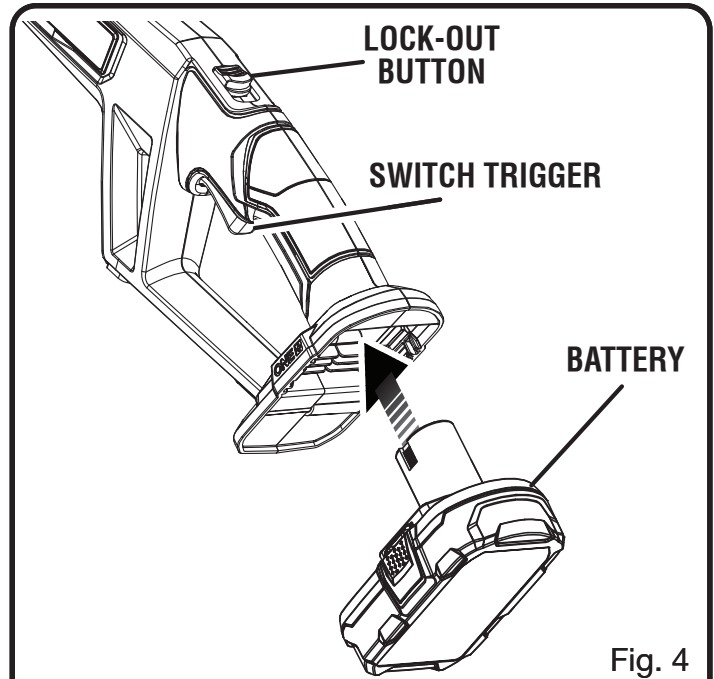
For complete charging instructions, see the operator's manuals for your battery pack and charger.

STARTING AND STOPPING

See Figures 4 - 5.

To start the motor:

- Hold the pole saw as shown and ensure that you are well away from anything that may contact the blade.
- Press and hold the trigger lock-out.
- Depress the switch trigger.



To stop the motor:

- Release the trigger to stop the pole saw. Upon release of the trigger, the trigger lock will automatically reset to the locked position.

OPERATION

PREPARATION FOR CUTTING

See Figures 6 - 7.

- Wear non-slip gloves for maximum grip and protection.
- Check chain tension and adjust if necessary. Refer to **Adjusting the Chain Tension** in the *Maintenance* section.
- Maintain a proper grip on the unit whenever the motor is running. Use your right hand to firmly grip the rear handle while your left hand has a firm grip on the pole shaft.
- Hold unit firmly with both hands. Always keep your left hand on the pole shaft and your right hand on the rear handle, so your body is to the left of the chain line. Never use a left-handed (cross-handed) grip, or any stance that places your body or arm across the chain line.
- Never stand directly under the limb you are cutting.
- Be certain the collars are fully tightened before operating equipment; check them periodically for tightness during use to avoid serious injury.

BASIC CUTTING PROCEDURE

Follow the steps below to prevent damage to tree or shrub bark. Do not use a back-and-forth sawing motion.

- Make a shallow first cut (1/4 of limb diameter) on the underside of the limb close to the main limb or trunk.
- Make a second cut from the top side of the limb outboard from the first cut. Continue the cut through the limb until the limb separates from the tree. Be prepared to balance the weight of the tool when the limb falls.
- Make a final cut close to trunk.

NOTE: For second and final cuts (from top of limb or branch), hold front cutting guide against the limb being cut. This will help steady the limb and

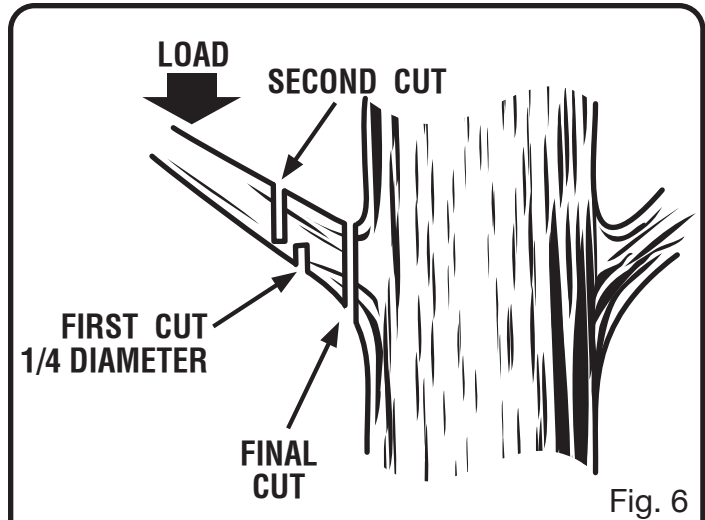


Fig. 6

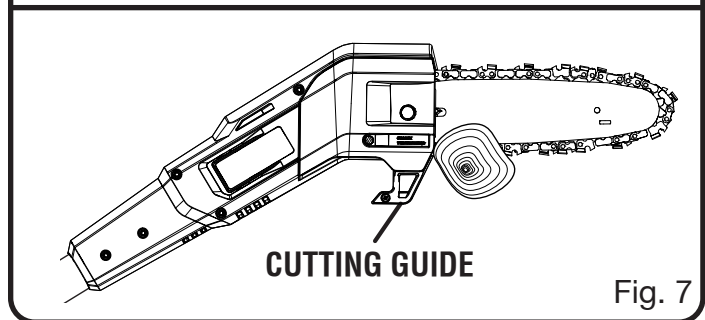


Fig. 7

make it easier to cut. Allow chain to cut for you; exert only light downward pressure. If you force the cut, damage to the bar, chain, or motor can result.

- Release the trigger as soon as the cut is completed.

Failure to follow proper cutting procedures will result in the bar and chain binding and becoming pinched or trapped in the limb. If this should happen:

- Stop the motor and remove the battery pack.
- If the limb can be reached from the ground, lift the limb while holding the saw. This should release the “pinch” and free the saw.
- If the saw is still trapped, call a professional for assistance.

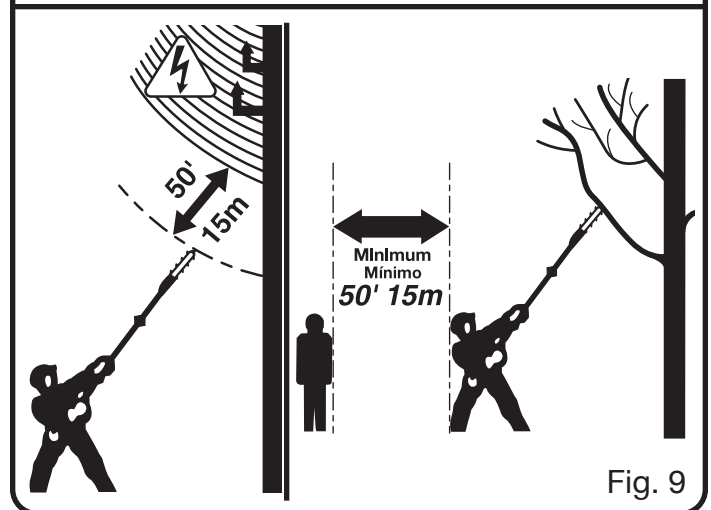
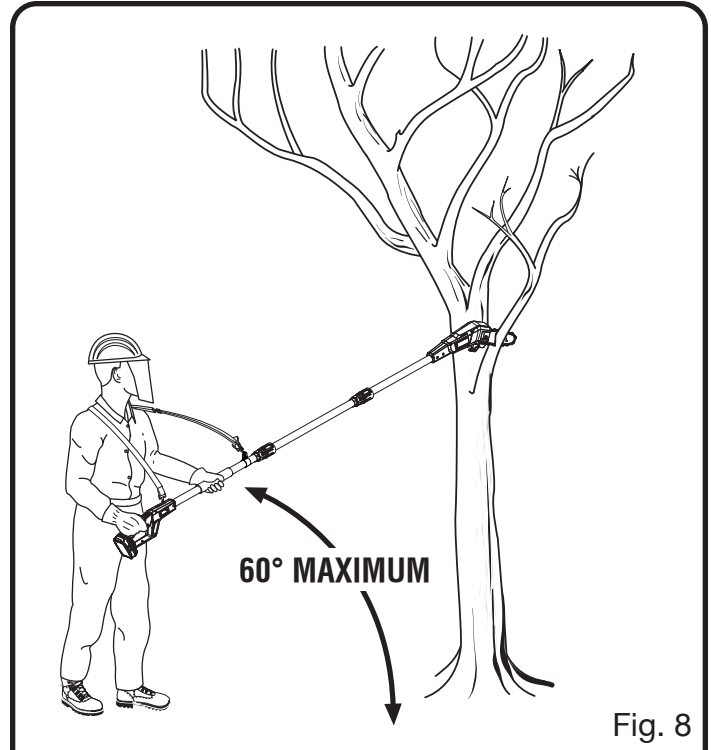
OPERATION

LIMBING AND PRUNING

See Figures 8 - 9.

This unit is designed for trimming small branches and limbs up to 6 in. in diameter. For best results, observe the following precautions.

- Plan the cut carefully. Be aware of the direction in which the branch will fall.
- Branches may fall in unexpected directions. Do not stand directly under the branch being cut.
- The most typical cutting application is to position the unit at an angle of 60° or less, depending on the specific situation, as shown. As the angle of the pole saw shaft to ground increases, the difficulty of making the first cut (from the underside of limb) increases.
- Remove long branches in several stages.
- Cut lower branches first to allow the top branches more room to fall.
- Work slowly, keeping both hands on the saw with a firm grip. Maintain secure footing and balance.
- Keep the tree between you and the chain while limbing. Cut from side of tree opposite branch you are cutting.
- Do not cut from a ladder; this is extremely dangerous. Leave this operation for professionals.
- Do not make the flush cut next to the main limb or trunk until you have cut off the limb further out to reduce the weight. Following proper cutting procedures will prevent stripping the bark from the main member.
- Do not use the pole saw for felling or bucking.
- To prevent electrocution, do not operate within 50 ft. of overhead electrical lines.
- Keep bystanders at least 50 ft. away.



MAINTENANCE

WARNING:

Before inspecting, cleaning, or servicing the unit, stop the motor, wait for all moving parts to stop, and remove the battery pack. Failure to follow these instructions can result in serious personal injury or property damage.

WARNING:

Always wear eye protection with side shields marked to comply with ANSI Z87.1, along with head protection. Failure to do so could result in objects being thrown into your eyes and other possible serious injuries.

WARNING:

Never use water or any liquids to clean or rinse off your product and do not expose the product to rain or wet conditions. Store indoors in a dry area. Corrosive liquids, water, and chemicals can enter the product's electronic components and/or battery compartment and damage electronic components and/or the battery pack, which can result in a short circuit, increased risk of fire, and serious personal injury. Remove any buildup of dirt and debris by wiping the product clean with a dry cloth occasionally.

WARNING:

When servicing, use only identical replacement parts. Use of any other parts could create a hazard or cause product damage.

NOTICE:

Periodically inspect the entire product for damaged, missing, or loose parts such as screws, nuts, bolts, caps, etc. Tighten securely all fasteners and caps and do not operate this product until all missing or damaged parts are replaced. Please contact customer service or an authorized service center for assistance.

GENERAL MAINTENANCE

Avoid using solvents when cleaning plastic parts. Most plastics are susceptible to damage from various types of commercial solvents and may be damaged by their use. Use clean cloths to remove dirt, dust, oil, grease, etc.

WARNING:

Do not at any time let brake fluids, gasoline, petroleum-based products, penetrating oils, etc., come in contact with plastic parts. Chemicals can damage, weaken, or destroy plastic, which could result in serious personal injury.

All pole saw service, other than the items listed in these maintenance instructions, should be performed by competent pole saw service personnel. (For example, if improper tool is used to hold the flywheel in order to remove the clutch, structural damage to the flywheel could occur and subsequently could cause the flywheel to burst).

ADJUSTING THE CHAIN TENSION

See Figures 10 - 13.

WARNING:

Stop the motor, wait for all moving parts to stop, and remove the battery pack. Never touch or adjust the chain while the motor is running. The saw chain is very sharp. Always wear protective gloves when performing maintenance to the chain. Failure to follow these instructions can result in serious personal injury.

Proper chain tension is critical to the performance of your pole saw. Always check chain tension before using the saw and periodically until the work is complete. The chain must be retensioned whenever the flats on the drive links hang out of the bar groove.

A cold chain is correctly tensioned when there is no slack on the underside of the guide bar. The chain should be snug, but still able to be turned by hand without binding.

MAINTENANCE

A warm chain is correctly tensioned when the flats on the tie straps hang approximately .050 inches out of the bar groove.

If adjustment is needed:

- Remove the combination wrench from the storage area.
- Loosen the chain cover screw to finger tight.
- Raise the tip of the guide bar and continue to hold up until the end of this procedure.
- Turn the chain tensioning screw clockwise until the flats on the tie straps of the chain contact the bar, making sure the drive links are seated inside the bar groove.
- Retighten the chain cover screw securely.
- Release the tip of the guide bar and verify the chain is now correctly tensioned using the guidelines above.

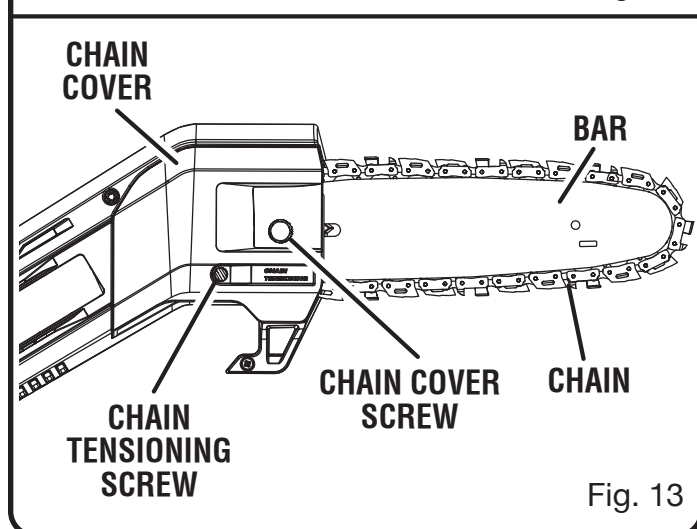
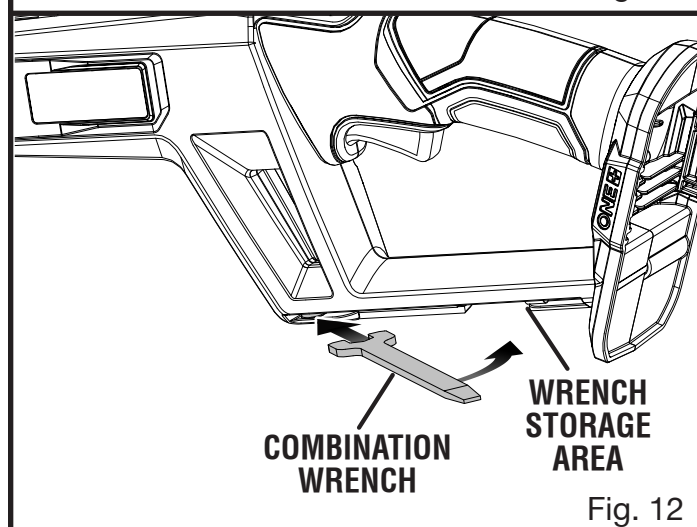
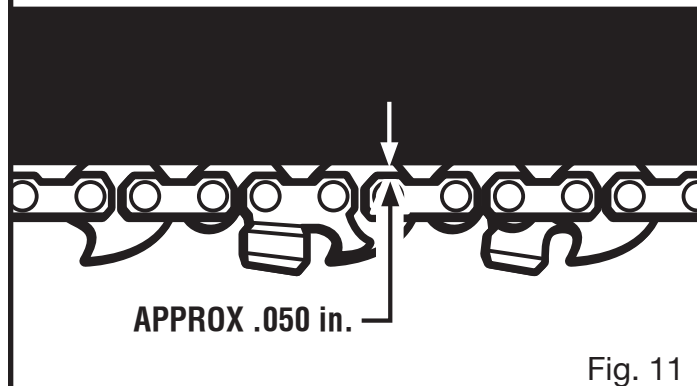
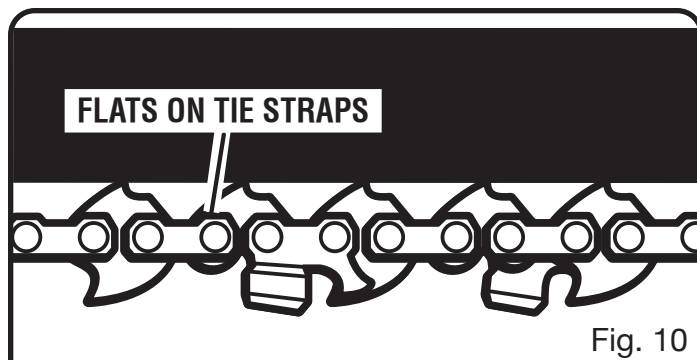
NOTE: If the chain is too tight and will not rotate, loosen the chain cover screw slightly, then turn the chain tensioning screw 1/4 turn counterclockwise. Lift up the tip of the guide bar, retighten the chain cover screw securely, then verify the chain will now rotate without binding.

NOTE: New chains tend to stretch; check the chain tension frequently and adjust as needed.

- Return the combination wrench to the storage area.

NOTICE:

A chain tensioned while warm may be too tight upon cooling. Check the “cold tension” before next use.



MAINTENANCE

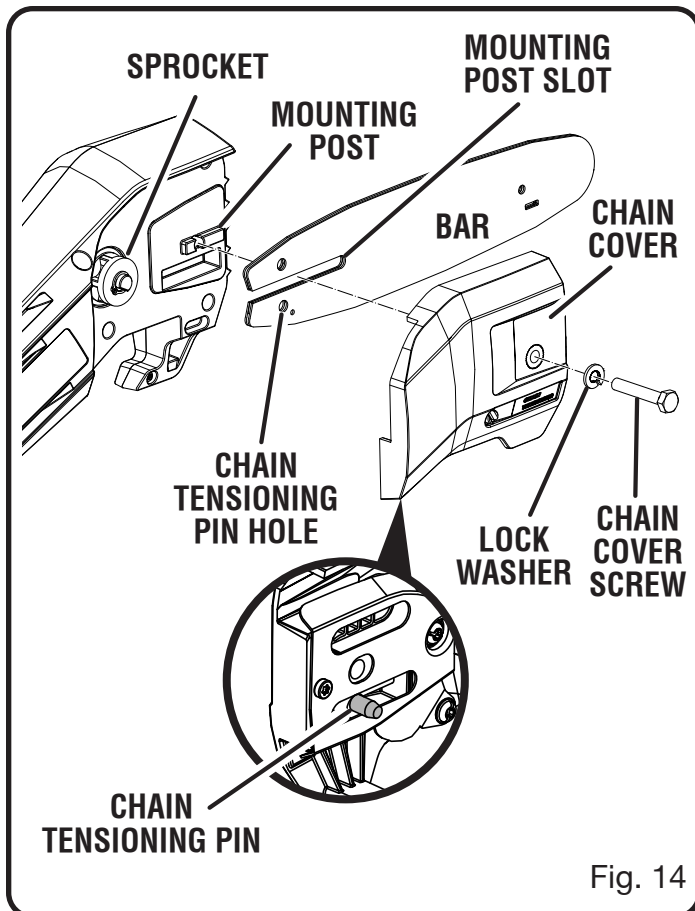
REPLACING THE BAR AND CHAIN

See Figures 14 - 16.

WARNING:

To avoid possible serious injury, stop the motor and remove the battery pack before replacing the bar, chain, or performing any maintenance operation.

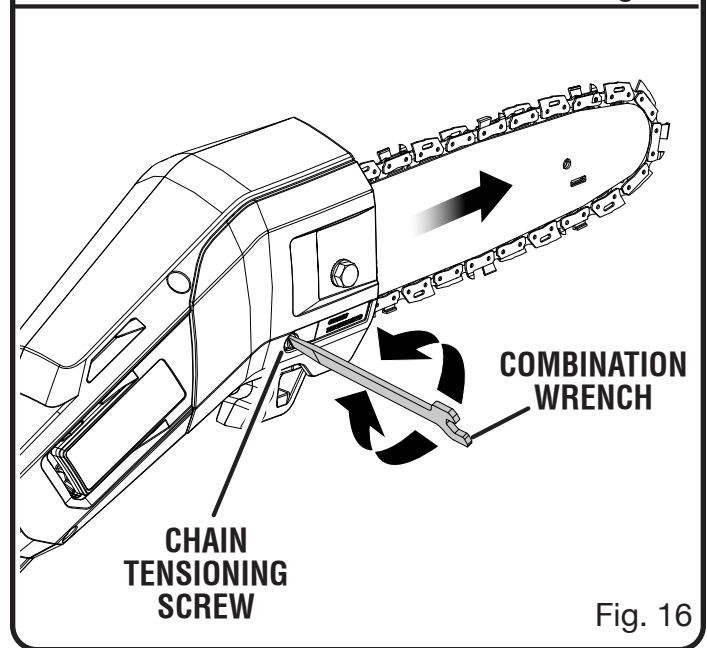
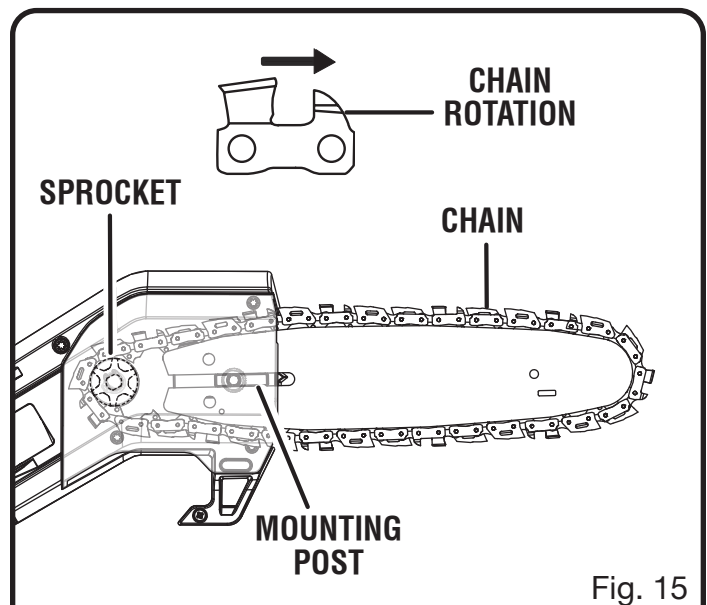
- Remove the combination wrench from the storage area.
- With the combination wrench, remove the chain cover screw, washer, and chain cover.
- The bar contains a slot that fits over the mounting post. The bar also contains a chain tensioning pin hole which fits over the chain tensioning pin inside the chain cover.
- Place the bar onto the mounting post.
- Fit the chain over the sprocket and into the bar groove. The cutters on the top of the bar should face toward the bar tip, in the direction of the chain rotation.



- Replace the chain cover ensuring that the chain tensioning pin in the cover is in the chain tensioning pin hole in the bar.

NOTE: If necessary, rotate the chain tensioning screw counterclockwise until the pin and hole can be aligned.

- Reinstall the washer and screw. Tighten the screw finger tight only. The bar must be free to move for tension adjustment.
- Remove all slack from chain by turning the chain tensioning screw clockwise, assuring that the chain seats into the bar groove during tensioning.
- Tighten the chain cover screw securely.



MAINTENANCE

- Return the combination wrench to the storage area.

NOTE: Chain is correctly tensioned when there is no slack on the underside of the bar, the chain is snug, but it can be turned by hand without binding. If chain is too tight, it will not rotate. Loosen the chain cover screw slightly and turn chain tensioning screw 1/4 turn counterclockwise. Retighten chain cover screw securely.

CHAIN MAINTENANCE

See Figure 17.

⚠ WARNING:

Remove the battery pack and make sure the chain has stopped before you do any work on the saw to avoid accidental starting and possible serious personal injury.

For smooth and fast cutting, the chain needs to be maintained properly. The following conditions indicate that the chain requires sharpening:

- Wood chips are small and powdery
- Chain must be forced through the wood during cutting
- Chain cuts to one side

During maintenance of the chain, consider the following:

- Improper filing angle of the side plate can increase the risk of a severe kickback.
- Depth gauge (or raker clearance) setting determines the height the cutter enters the wood and the size of the wood chip that is removed. Too much clearance increases the potential for kickback. Too little clearance decreases the size of the wood chip thus decreasing the chain's cutting ability.
- If cutter teeth have hit hard objects such as nails and stones, or have been abraded by mud or sand on the wood, have service dealer sharpen chain.

HOW TO SHARPEN THE CUTTERS

See Figures 18 - 21.

Be careful to file all cutters to the specified angles and to the same length, as fast cutting can be obtained only when all cutters are uniform.

RAKER (DEPTH GAUGE) CLEARANCE



Fig. 17

PARTS OF A CUTTER

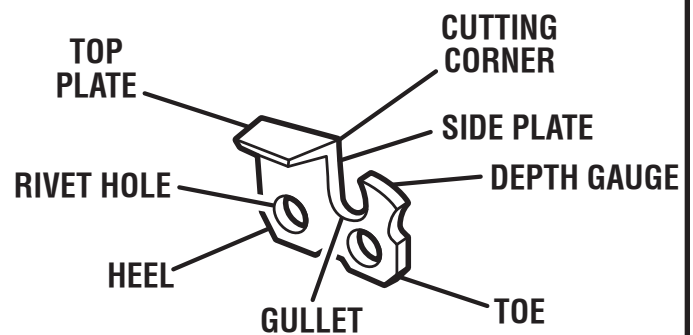


Fig. 18

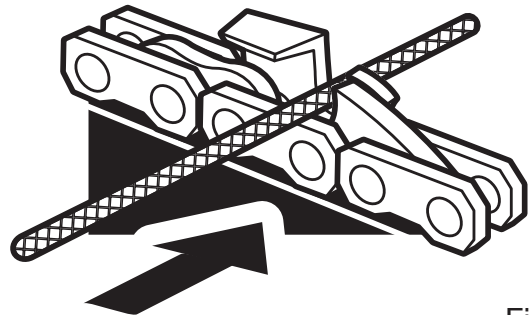


Fig. 19

⚠ WARNING:

The saw chain is very sharp, always wear protective gloves when performing maintenance to the chain to prevent serious personal injury.

- Properly tension the chain prior to sharpening. Refer to **Adjusting the Chain Tension** earlier in this manual. Do all of your filing at the mid-point of the bar.
- Use a 5/32 in. diameter round file and holder.
- Keep the file level with the top plate of the tooth. Do not let the file dip or rock.

MAINTENANCE

- Using light but firm pressure, stroke towards the front corner of the tooth. Lift file away from the steel on each return stroke.
- Put a few firm strokes on every tooth. File all left hand cutters in one direction. Then move to the other side and file the right hand cutters in the opposite direction. Occasionally remove filings from the file with a wire brush.

! WARNING:

Improper chain sharpening increases the potential of kickback, which can result in serious personal injury.

! WARNING:

Failure to replace or repair damaged chain can cause serious injury.

NOTICE:

A dull or improperly sharpened chain can cause excessive engine speed during cutting, which may result in severe engine damage.

STORING THE PRODUCT

See Figure 22.

! WARNING:

Always remove the battery pack before transporting or storing pole saw. Place battery pack indoors in a dry, secure location out of the reach of children when storing. Failure to follow these instructions may lead to accidental starting or unauthorized use and result in serious personal injury.

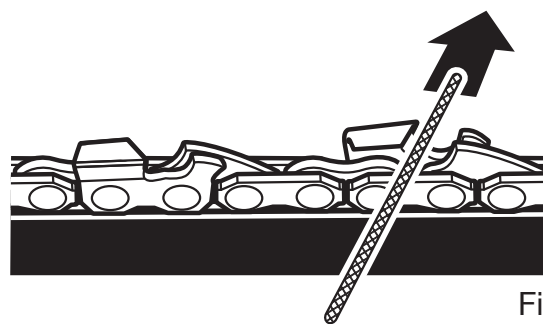


Fig. 20

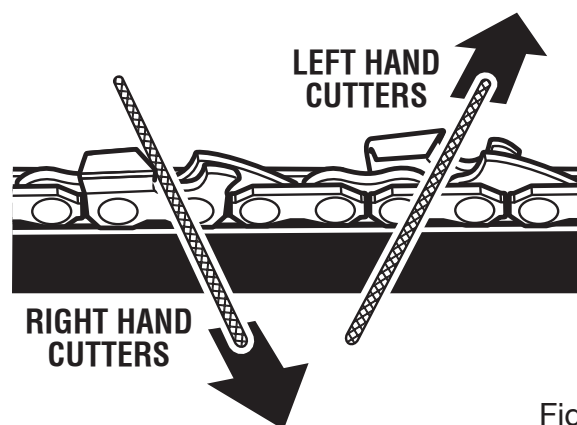


Fig. 21

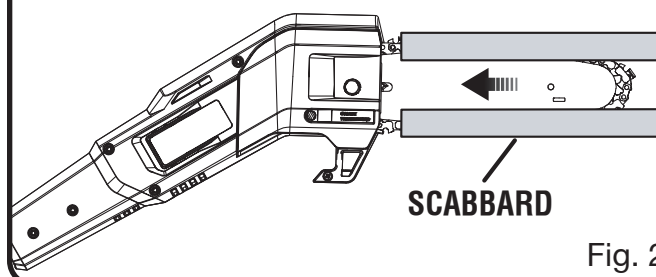


Fig. 22

MAINTENANCE

- Clean all foreign material from the product. Store idle unit indoors in a dry, well-ventilated area that is inaccessible to children. Keep away from corrosive agents such as garden chemicals and de-icing salts.
- Always place the scabbard on the saw bar when transporting or storing the pole saw. The scabbard is a snug fit and must be attached

very carefully due to the sharp teeth on the saw chain. This is best done by grasping the scabbard at one end, in the center portion of the scabbard, and carefully sliding it over the chain as shown. Use caution to avoid the sharp teeth of the chain.

NOTE: The saw chain is very sharp. Always wear protective gloves when handling the chain.

TROUBLESHOOTING

PROBLEM	CAUSE	SOLUTION
Bar and chain running hot and smoking.	Check chain tension for overtightened condition	Tension chain. Refer to Adjusting the Chain Tension earlier in this manual.
Motor runs, but chain is not rotating.	Chain tension too tight. Check guide bar and chain assembly. Check guide bar and chain for damage.	Retention chain. Refer to Adjusting the Chain Tension earlier in this manual. Refer to Replacing the Bar and Chain earlier in this manual. Inspect guide bar and chain for damage.

This product has a Three-year Limited Warranty for personal, family, or household use (90 days for business or commercial use). For warranty details, visit www.ryobitools.com or call (toll free) 1-800-860-4050.

INSTRUCTIONS IMPORTANTES CONCERNANT LA SÉCURITÉ

AVERTISSEMENT :

Lire et veiller à bien comprendre toutes les instructions. Le non-respect des instructions ci-dessous peut entraîner une électrocution, un incendie et des blessures graves.

LIRE TOUTES LES INSTRUCTIONS

- Pour travailler en toute sécurité, lire et veiller à bien comprendre toutes les instructions avant d'utiliser ce produit. Familiarisez-vous avec toutes les commandes et l'utilisation correcte de l'outil. Respecter toutes les instructions de sécurité. Le non respect des instructions de sécurité ci-dessous peut entraîner des blessures graves.
- Ne pas laisser des enfants ou personnes n'ayant pas reçu une formation adéquate utiliser cet outil.
- Inspecter soigneusement la zone de travail et retirer tout corps étranger.
- Porter une protection oculaire avec écrans latéraux certifiée conforme à la norme ANSI Z87.1, ainsi qu'une protection casque lors de l'utilisation de cet outil.
- Porter une tenue appropriée — Porter des pantalons longs, des manches longs, des chaussures et des gants épais. Ne pas porter de vêtements amples, bijoux, shorts, sandales et ne pas travailler pieds nus. Ne porter aucun bijou.
- Attacher les cheveux longs pour les maintenir au-dessus des épaules, afin qu'ils ne se prennent pas dans les pièces en mouvement.
- Tenir à l'écart des enfants — Garder les badauds, enfants et animaux à une distance de 15 m (50 pi) minimum.
- Rester attentif — Prêter attention au travail et faire preuve de bon sens. Ne pas utiliser ce taille-bordures en état de fatigue, si l'on est souffrant, contrarié ou sous l'influence de l'alcool, de drogues ou de médicaments.
- Ne pas travailler sous un éclairage insuffisant.
- Porter des lunettes de sécurité — Toujours porter un masque facial ou un masque anti-poussière si le travail produit de la poussière.
- Débrancher l'appareil — Retirer la batterie de appareils lorsque l'outil n'est pas en usage, avant son entretien ou lors du remplacement d'accessoires tels que le guide chaîne.
- Ne pas travailler hors de portée — Toujours se tenir bien campé et en équilibre. Le travail hors de portée risque de faire perdre l'équilibre ou de causer un contact avec les pièces brûlantes.
- Garder toutes les parties du corps à l'écart des pièces en mouvement.
- Inspecter l'outil avant chaque utilisation pour s'assurer qu'il n'y a pas de pièces desserrées, etc. Remplacer les pièces endommagées avant utilisation.
- Quand la produit n'est pas utilisée, elle devrait être entreposée à l'intérieur, dans un endroit sec et sécuritaire - loin de la portée des enfants.
- Utiliser exclusivement des pièces de rechange d'origine. Toute dérogation peut entraîner un mauvais fonctionnement, des blessures graves et l'annulation de la garantie.
- N'utiliser en aucun cas un accessoire non fourni avec le produit, ou indiqué comme pouvant être utilisé sur l'outil dans le manuel d'utilisation.
- Éviter les environnements dangereux — Ne pas utiliser l'accessoire dans des endroits humides ou mouillés. Ne pas utiliser sous la pluie.
- Arrêter le moteur, attendre que toutes les pièces en mouvement cessent de bouger et retirer le bloc-piles avant tout nettoyage ou entretien.
- Ne jamais utiliser de l'eau ou une autre liquide pour nettoyer ou rincer la produit et n'exposez pas à la pluie ou conditions l'humidité. La remiser à l'intérieur dans un endroit sec. Les liquides corrosifs, l'eau et les produits chimiques peuvent s'infiltrer dans les composants électroniques et/ou le compartiment de la pile et endommager les composants électroniques et/ou le bloc-pile, ce qui peut entraîner un court-circuit, augmenter le risque d'incendie ou des blessures corporelles graves. Enlever toute accumulation de la saleté et les débris sur la produit de temps en temps avec un linge sec.
- Utilisez l'outil approprié — N'utilisez pas le produit pour aucune tâche sauf celle pour laquelle elle est conçue.
- Ne pas fonctionner l'outil sur des étapes, une échelle, un toit, un arbre, ou un support instable. Une position stable sur une surface ferme permet

INSTRUCTIONS IMPORTANTES CONCERNANT LA SÉCURITÉ

de mieux contrôler l'outil en cas de situation imprévue.

- Ne pas forcer le produit. Il sera plus efficace et présentera moins de risques de blessures s'il est utilisé dans les limites de ses spécifications.
- **DANGER** — Garder les mains à l'écart de la zone de coupe. Garder les deux mains sur les poignées lors de l'utilisation de l'appareil.
- **ATTENTION** — Les lames continuent de tourner en roue libre une fois que la scie est éteinte.
- Ne pas tenir l'outil par les lames de coupe ou les tranchants de coupe exposés.

- Vérifier si les pièces sont endommagées — Avant de réutiliser le produit, vérifier attentivement que le dispositif de protection ou toute autre pièce n'est pas endommagé afin de s'assurer que l'outil fonctionnera comme prévu. Vérifier l'alignement et la fixation des pièces mobiles, l'état des pièces, l'assemblage et toute autre condition qui peut avoir une incidence sur le fonctionnement du produit. Un dispositif de protection ou toute autre pièce qui est endommagé devrait être réparé ou remplacé dans un centre de service autorisé, à moins d'une indication contraire dans le présent manuel.

RÈGLES DE SÉCURITÉ PARTICULIÈRES

- Le rebond est une réaction dangereuse pouvant entraîner des blessures graves. Le rebond se produit lorsque la chaîne en rotation heurte un objet dans la partie supérieure de l'extrémité du guide ou lorsque l'entaille se referme et pince la chaîne dans le bois. Le contact de la partie supérieure de l'extrémité du guide peut faire plonger la chaîne dans le bois et la bloquer pendant un instant. Il en résulte une réaction fulgurante, projetant le guide vers le haut et l'arrière, en direction de l'utilisateur. Le pincement de la chaîne sur le haut du guide peut causer une projection violente de la lame en arrière, en direction de l'utilisateur, ce qui peut entraîner une perte de contrôle et des blessures graves. Ne pas compter exclusivement sur les dispositifs de sécurité intégrés au produit.

Une compréhension élémentaire du rebond peut réduire ou éliminer l'élément de surprise. Les surprises sont favorables aux accidents.

- La scie de manche ne doit être utilisée que pour couper du bois. Ne pas l'utiliser pour couper des matériaux autres que le bois.
- S'assurer que l'endroit où la scie est utilisée est dépourvu de tout obstacle. Ne pas laisser l'extrémité du guide entrer en contact avec une bille, une branche, une palissade ou tout autre obstacle risquant d'être heurté pendant le travail. Avoir un chemin planifié de retraite.

- Ne couper que lorsque la visibilité et la lumière permettent de voir clairement.
- Pour éviter les risques d'électrocution, ne pas travailler à moins de 15 mètres (50 pi) de lignes électriques.
- En cas d'urgence, utiliser les agrafe à ressort sur le bandoulière à relâchement rapide pour se libérer du bandoulière et de la scie de manche.
- **AVERTISSEMENT** — N'utilisez pas l'outil près des lignes à haute tension. Cet outil n'a pas été conçu pour offrir une protection contre les décharges électriques en cas de contact avec les lignes électriques élevées. Consulter les règlements locaux pour connaître la distance sécuritaire des lignes électriques élevées et s'assurer que la position d'utilisation est sûre et sécuritaire avant d'utiliser l'outil.
- Avant de lancer le moteur, s'assurer que la chaîne n'est en contact avec aucun objet.
- Pour éviter les risques de blessures, ne pas se tenir directement au-dessous des branches en train d'être coupées. Cet outil ne doit pas être tenu à un angle de plus de 60° par rapport au niveau du sol.
- Arrêter le moteur s'assurer que l'accessoire de coupe est immobilisé avant de poser l'outil.
- Suivre les instructions d'affûtage et d'entretien fournies par le fabricant de la scie à chaîne.
- Utiliser exclusivement les guides et chaînes à faible risque de rebond spécifiées pour l'outil.

RÈGLES DE SÉCURITÉ PARTICULIÈRES

- Ne pas fonctionner la scie avec une main ! La blessure sérieuse à l'opérateur, les aides, les passants, ou n'importe quelle combinaison de ces personnes peut des résultats d'une opération de main. Cette scie a projeté pour l'usage deux-transmis.
- Faire preuve de la plus extrême prudence lors de la coupe de petits buissons et de jeunes arbres, car les branchettes fines peuvent se prendre dans la chaîne et fouetter l'utilisateur ou le déséquilibrer.
- Lors de la coupe d'une branche sous tension, toujours rester vigilant, car la branche risque de fouetter l'utilisateur lorsque la tension dans les fibres de bois est relâchée.
- Pour éviter un démarrage accidentale, ne jamais transporter l'outil avec le bloc-piles installé ou avec le doigt sur la commutateur.
- Manipuler le produit avec prudence — S'assurer que les lames demeurent coupantes et propres pour un meilleur rendement et pour réduire les risques de blessure. Suivre les directives pour la lubrification et pour changer les accessoires. Inspecter périodiquement le cordon du produit et le faire réparer dans un centre de service autorisé s'il est endommagé. Inspecter régulièrement le cordon du chargeur de pile. S'il est endommagé, le faire réparer ou remplacer au centre de réparations agréé le plus proche.
- Gardez les poignées sèches, propres et libres d'huile et de graisse.
- Tenir toutes les parties du corps loin de la scie à chaîne. Ne retirer les matériaux coincés ou suspendus ou de les tenir lorsque les lames sont en mouvement. S'assurer que l'interrupteur est à la position OFF (éteint) lorsque l'on déloge les débris de matériaux. La scie à chaîne continue de bouger après que l'interrupteur est éteint. Un moment d'inattention pendant l'utilisation de la scie à perche peut occasionner des blessures graves.
- Transporter la scie à perche par la poignée avec la chaîne de scie arrêtée. Au moment de transporter ou de ranger la scie à perche, toujours mettre le fourreau sur la barre de scie. Une bonne manipulation de la scie à perche réduit les risques de blessures graves pouvant être causées par la chaîne de scie.
- Tenir la scie à perche uniquement au niveau des surfaces isolées des poignées, puisqu'elle peut toucher des câbles dissimulés. Le contact de la chaîne de scie avec un fil sous tension peut expos-er les pièces métalliques de la scie à perche sous tension et électrocuter l'utilisateur.
- Ne pas utiliser la scie à perche dans de mauvaises conditions météorologiques, surtout lorsqu'il y a un risque de foudre. Ceci évitera le risque d'être frappé par la foudre.
- Pour réduire tout risque d'électrocution, ne jamais utiliser près de câbles électriques. Si l'outil est utilisé près de câbles électriques ou s'il les touche, cela peut provoquer des blessures graves ou un choc électrique entraînant la mort.
- Toujours utiliser les deux mains lors de l'utilisation de la scie à perche. Tenir la scie à perche à deux mains pour éviter toute perte de contrôle.
- Toujours utiliser une protection pour la tête lors de l'utilisation de la scie à perche en hauteur. Les débris qui tombent peuvent entraîner des blessures graves.
- Le produit doit être réparé par un personnel qualifié seulement. Des réparations ou l'entretien effectués par un personnel non qualifié pourrait résulter en des blessures pour l'utilisateur ou endommager le produit.
- Les outils fonctionnant sur piles n'ayant pas besoin d'être branchés sur une prise secteur, ils sont toujours en état de fonctionnement. Rester conscient des dangers lorsque l'outil n'est pas en usage.
- Retirer le bloc-piles avant tout réglage, nettoyage, remisage ou déblocage, lors du remplacement d'accessoires tels que le guide et la chaîne et lorsque l'outil n'est pas en usage.
- Les piles ne doivent être rechargées qu'avec l'appareil spécifié. Un chargeur approprié pour un type de pile peut créer un risque d'incendie peut créer un risque d'incendie s'il est utilisé avec un autre type de pile. Ne recharger les piles qu'avec l'appareil indiqué.
- Utiliser ce produit seulement avec la piles et le chargeurs indiqués dans le supplément de raccordement pour chargeur/outils/piles/appareil n° 987000-432.




RÈGLES DE SÉCURITÉ PARTICULIÈRES

- Pour éviter les risques d'explosion et de blessures, ne pas placer les blocs de piles ou piles à proximité de flammes ou d'une source de chaleur.
- Ne pas ouvrir ou altérer le bloc-piles. L'électrolyte est un produit corrosif pouvant causer des lésions cutanées ou oculaires. Il peut être toxique en cas d'ingestion.
- Ne pas charger l'appareil sous la pluie ou dans un endroit mouillé.
- Ne pas recharger l'outil dans un endroit humide ou mouillé. Le respect de cette règle réduira les risques de choc électrique.
- Ne pas mettre le bloc-piles au feu. Les piles peuvent exploser. Consulter les autorités locales compétentes pour les options de recyclage et/ou l'élimination des piles.
- Manipuler les batteries avec soin pour éviter des courts-circuits. Lorsque le bloc-piles n'est pas en usage, le tenir à l'écart d'articles métalliques tels que : les attaches trombones, pièces de monnaie, clous, vis et autres petits objets métalliques risquant d'établir le contact entre les deux bornes. La mise en court-circuit de bornes de piles peut causer des étincelles, des brûlures ou un incendie.
- Conserver ces instructions. Les consulter fréquemment et les utiliser pour instruire les autres utilisateurs éventuels. Si ce produit est prêté, il doit être accompagné de ces instructions, afin d'éviter un usage incorrect et d'éventuelles blessures.

CONSERVER CES INSTRUCTIONS











SYMBOLES

Les termes de mise en garde suivants et leur signification ont pour but d'expliquer le degré de risques associé à l'utilisation de ce produit.

SYMBOLE	SIGNAL	SIGNIFICATION
	DANGER :	Indique une situation dangereuse qui, si elle n'est pas évitée, aura pour conséquences des blessures graves ou mortelles.
	AVERTISSEMENT :	Indique une situation dangereuse qui, si elle n'est pas évitée, pourrait entraîner des blessures graves ou mortelles.
	ATTENTION :	Indique une situation dangereuse qui, si elle n'est pas évitée, pourrait entraîner des blessures légères ou de gravité modérée.
	AVIS :	(Sans symbole d'alerte de sécurité) Indique les informations jugées importantes sans toutefois représenter un risque de blessure (ex. : messages concernant les dommages matériels).

SYMBOLES

Certains des symboles ci-dessous peuvent être utilisés sur le produit. Veiller à les étudier et apprendre leur signification pour assurer la sécurité d'utilisation.

SYMBOLE	NOM	EXPLICATION
	Symbole d'alerte de sécurité	Indique un risque de blessure potentiel.
	Lire le manuel d'utilisation	Pour réduire les risques de blessures, l'utilisateur doit lire et veiller à bien comprendre le manuel d'utilisation avant d'utiliser ce produit.
	Porter une protection oculaire et protection casque	Toujours porter une protection oculaire avec écrans latéraux certifiée conforme à la norme ANSI Z87.1, ainsi qu'une protection casque.
	Avertissement concernant l'humidité	Ne pas exposer la pile, le compartiment de la pile, ou les composants électroniques à la pluie, l'eau ou d'autres liquides. Ne pas charger la pile ou exposer la produit à la pluie ou des endroits humides.
	Gants	Porter des gants épais antidérapants lors de la manipulation de l'scie et de la lame.
	Chaussures de sécurité	Porter des chaussures de travail à semelle antidérapante lors de l'utilisation de l'outil.
	La tenir à l'écart de lignes électriques et ne laisser personne s'approcher	DANGER! Risque d'électrocution! Ne pas travailler à moins de 15m (50 pi) de lignes électriques. Ne jamais laisser quiconque se tenir à moins de 15 m (50 pi) de l'outil.
	Choc électrique	L'utilisation dans des conditions humides et le non respect des instructions de sécurité peuvent résulter en un choc électrique.
	Symbole Mains à l'écart	Le non-respect de cette mise en garde peut entraîner des blessures graves.
	Symbole de recyclage	Ce produit utilise les piles de lithium-ion (Li-ion). Les réglementations locales ou gouvernementales peuvent interdire de jeter les piles dans les ordures ménagères. Consulter les autorités locales compétentes pour les options de recyclage et/ou l'élimination.
V	Volts	Voltage
==	Courant continu	Type ou caractéristique du courant

CARACTÉRISTIQUES

FICHE TECHNIQUE

Moteur	18 V c.c.
Longueur du guide	203 mm (8 po)
Capacité de coupe	152 mm (6 po)
Pas de la chaîne	9,5 mm (3/8 po)
Type de chaîne	Standard

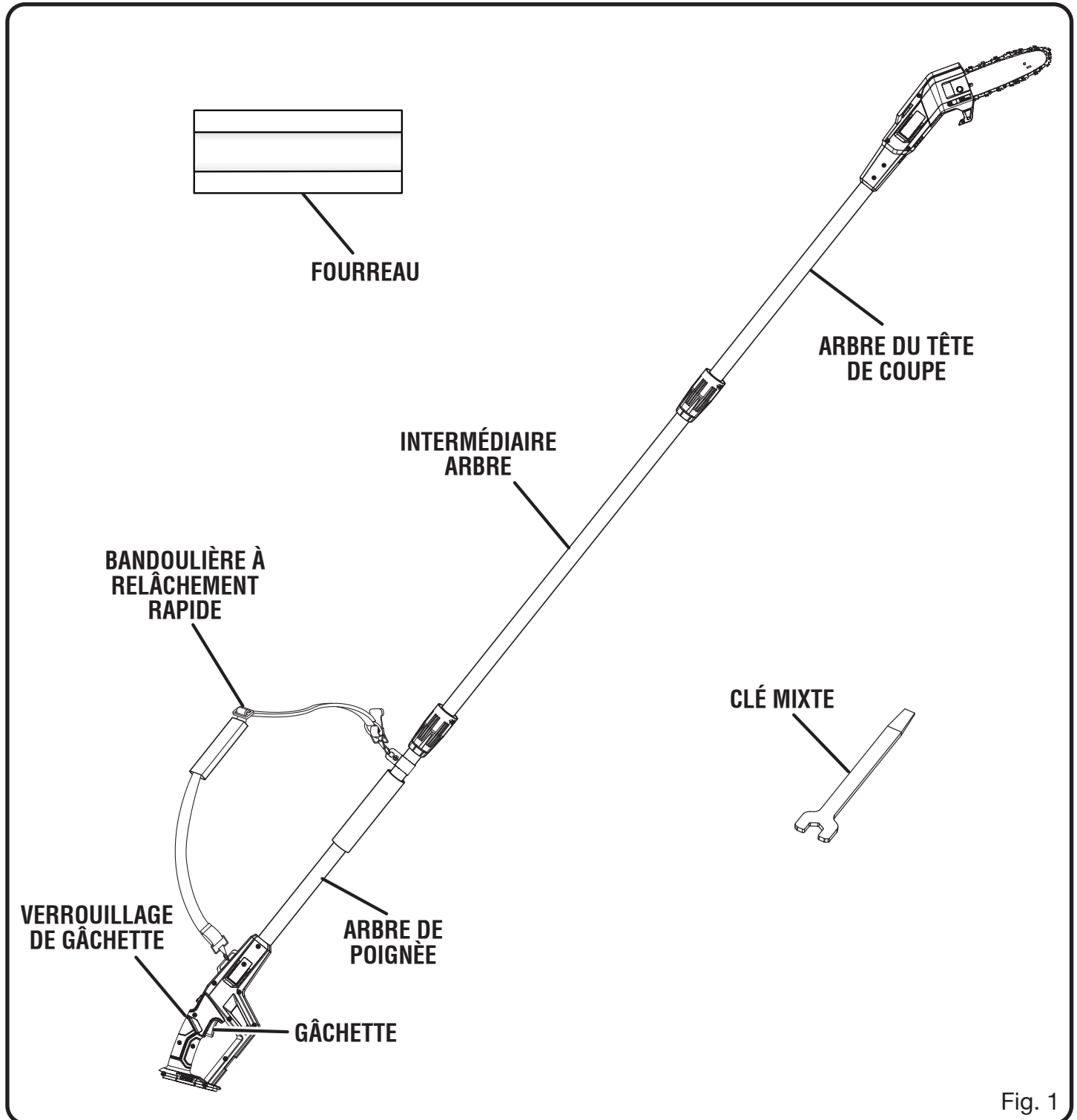


Fig. 1

CARACTÉRISTIQUES

APPRENDRE À CONNAÎTRE LE SCIE DE MANCHE

Voir la figure 1.

L'utilisation sûre de ce produit exige une compréhension des renseignements figurant sur le produit et contenus dans le manuel d'utilisation, ainsi qu'une bonne connaissance du projet entrepris. Avant d'utiliser ce produit, se familiariser avec toutes ses caractéristiques et règles de sécurité.

FOURREAU

Le fourreau empêche que l'opérateur entre en contact avec les lames tranchantes lorsque l'outil n'est pas en usage. Il évite également que les lames soient ébréchées ou endommagées pendant le remisage.

VERROUILLAGE DE GÂCHETTE

Le verrouillage de gâchette empêche les démarrages accidentels de l'outil.

ASSEMBLAGE

DÉBALLAGE

Ce produit doit être assemblé.

- Avec précaution, sortir le produit et les accessoires de la boîte. S'assurer que toutes les pièces figurant sur la **Liste de contrôle d'expédition** sont incluses.



AVERTISSEMENT :

Ne pas utiliser le produit si, en le déballant, vous constatez que des éléments figurant dans la **Liste de contrôle d'expédition** sont déjà assemblés. Certaines pièces figurant sur cette liste n'ont pas été assemblées par le fabricant et exigent une installation. Le fait d'utiliser un produit qui a été assemblé de façon inadéquate peut entraîner des blessures.

- Examiner soigneusement le produit pour s'assurer que rien n'a été brisé ou endommagé en cours de transport.
- Ne pas jeter les matériaux d'emballage avant d'avoir soigneusement examiné le produit et avoir vérifié qu'il fonctionne correctement.
- Si des pièces sont manquantes ou endommagées, appeler le 1-800-860-4050.

LISTE DE CONTRÔLE D'EXPÉDITION

Arbre du tête de coupe

Intermédiaire arbre

Arbre de poignée

Fourreau

Clé mixte

Bandoulière à relâchement rapide

Manuel d'utilisation



AVERTISSEMENT :

Si des pièces manquent ou sont endommagées, ne pas utiliser ce produit avant qu'elles aient été remplacées. Le fait d'utiliser ce produit même s'il contient des pièces endommagées ou s'il lui manque des pièces peut entraîner des blessures graves.



AVERTISSEMENT :

Ne pas essayer de modifier ce produit ou de créer des accessoires non recommandés pour ce produit. De telles altérations ou modifications sont considérées comme un usage abusif et peuvent créer des conditions dangereuses, risquant d'entraîner des blessures graves.

ASSEMBLAGE

⚠ AVERTISSEMENT :

Pour empêcher un démarrage accidentel pouvant entraîner des blessures graves, toujours déconnecter le fil de bougie de moteur de la bougie d'allumage avant d'assembler des pièces.

CONNEXION DU LE POIGNÉE

Voir la figure 2.

- Insérer le bouchon de l'arbre intermédiaire dans la douille de l'arbre de poignée et pousser l'un contre l'autre jusqu'à ce qu'il soit fixé solidement. Le bouchon est plus gros sur un côté et son sens d'installation est unique.

- Abaisser le collier de l'arbre à poignée sur la base filetée de l'arbre intermédiaire et le tourner dans le sens horaire afin de le serrer solidement.
- Répéter l'opération afin de fixer l'arbre intermédiaire à l'arbre du tête de coupe.

NOTE : Une fois assemblés correctement, l'arbre à poignée et l'arbre du tête de coupe ne devraient pas se détacher de l'arbre intermédiaire une fois tirés. Si c'est le cas, répéter les étapes ci-dessus.

⚠ AVERTISSEMENT :

Si tous les arbres ne sont pas installés correctement ensemble comme décrit ci-dessus, les arbres se sépareront et causeront des blessures graves ou mortelles.

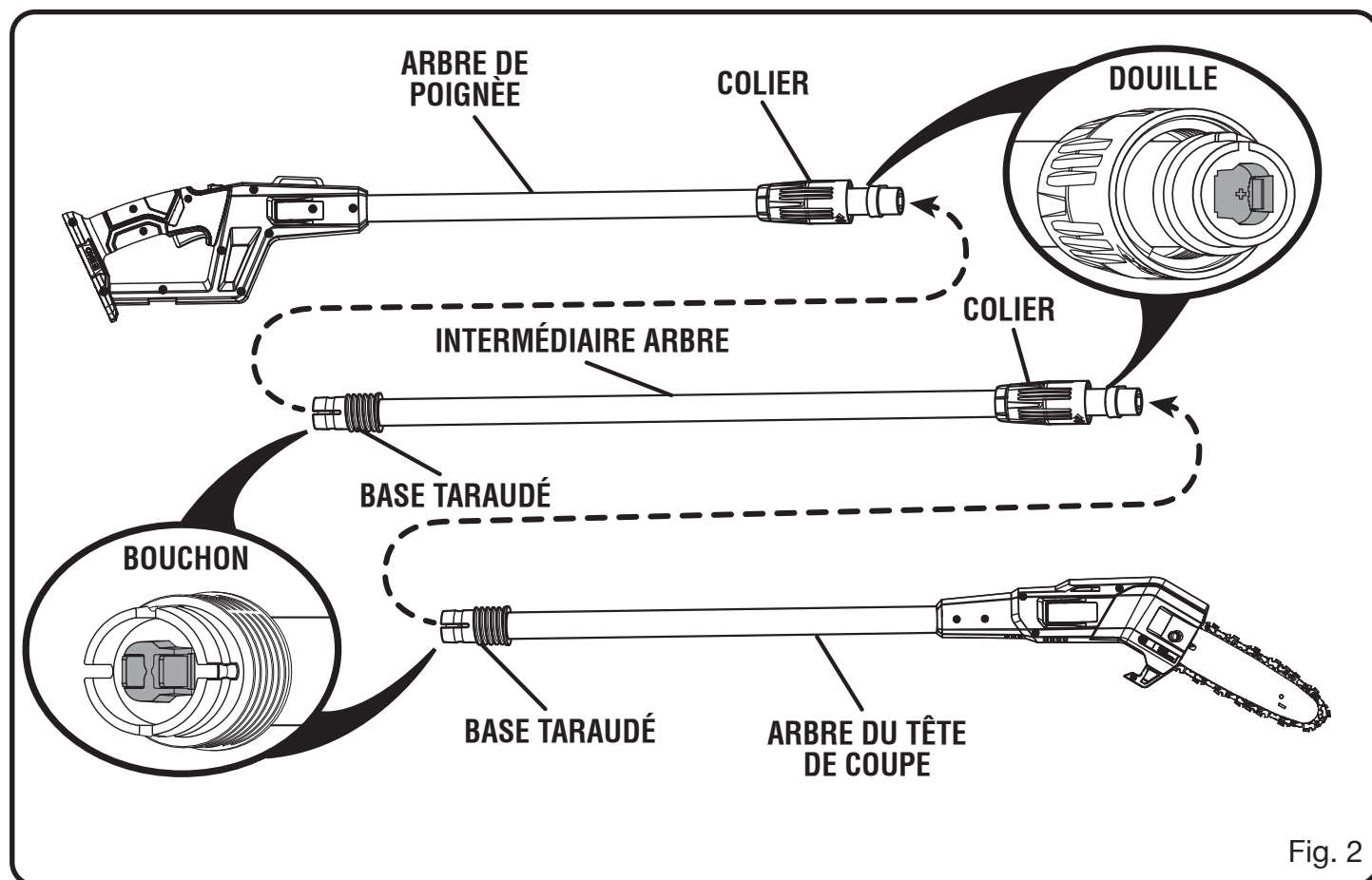


Fig. 2

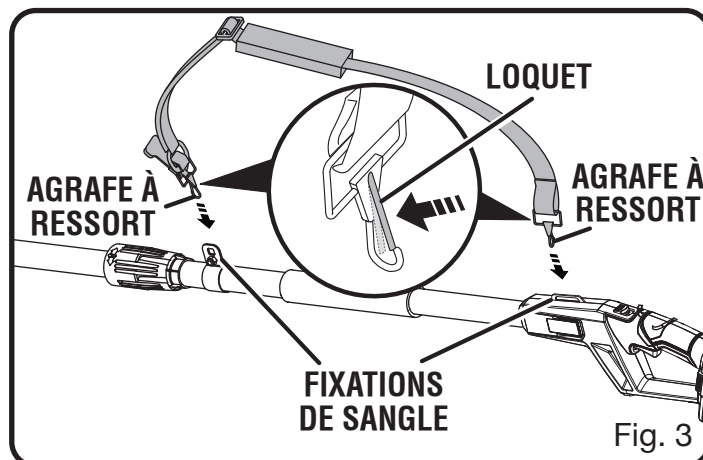
ASSEMBLAGE

INSTALLATION DE LA BANDOULIÈRE À RELÂCHEMENT RAPIDE

Voir la figure 3.

Pour empêcher la fatigue du dos et de l'épaule, Toujours utiliser la bandoulière à relâchement rapide lors de l'utilisation de l'outil. Si votre dos ou vos épaules deviennent douloureux, faites une pause et ajustez la position du bandoulière.

- Appuyer sur la loquet de agrafe à ressort et la maintenir enfoncée.
- Placer le agrafe sur le fixations de sangle et relâcher le loquet.
- Répéter ces étapes pour le autre agrafe à ressort.
- Placer la bandoulière sur l'épaule et régler la bandoulière à obtenir une position confortable.



UTILISATION

⚠ DANGER :

Ne jamais effectuer de coupes près de cerca de lignes, lignes cordon de électriques ou de sources de courant. Si les embouteillages de barre et chaîne sur la cordon électrique ou línea, NE PAS MANIPULER LA GUIDE OU LA CHAÎNE! ELLE PEUT ÊTRE SOUS TENSION ET DONC, EXTRÊMEMENT DANGEREUSE. Continuer de tenir le électrique de manche par la poignée arrière isolée ou le poser à l'écart en prenant les précautions nécessaires. Mettre le circuit électrique de la ligne électrique hors tension ou débrancher le cordon endommagé avant d'essayer de débloquent la lame. Le contact avec la barre et chaîne, d'autres parties conductrices du électrique de manche, ou des cordons ou des fils électriques sous tension entraînerait des blessures graves ou mortelles.

⚠ AVERTISSEMENT :

Ne pas laisser la familiarité avec le produit faire oublier la prudence. Ne pas oublier qu'une fraction de seconde d'inattention peut entraîner des blessures graves.

⚠ AVERTISSEMENT :

Toujours porter une protection oculaire avec écrans latéraux certifiée conforme à la norme ANSI Z87.1, ainsi qu'une protection un casque. Si cette précaution n'est pas prise, des objets peuvent être projetés dans les yeux et d'autres lésions graves.

⚠ AVERTISSEMENT :

Ne pas utiliser produits ou accessoires non recommandés par le fabricant de ce produit. L'utilisation de pièces et accessoires non recommandés peut entraîner des blessures graves.

AVIS :

Avant chaque utilisation, inspecter au complet le produit afin de s'assurer qu'aucune pièce (vis, écrous, boulons, chapeaux, etc.) n'est endommagée, manquante ou desserrée. Serrer solidement toutes les pièces de fixation et les chapeaux et ne pas utiliser le produit tant que toutes les pièces manquantes ou endommagées n'ont pas été remplacées. Pour obtenir de l'aide, veuillez communiquer avec le service à la clientèle ou un centre de réparations agréé.

UTILISATION

APPLICATIONS

Ce produit peut être utilisé pour les applications ci-dessous :

- Ébranchage
- Émondage

INSTALLATION/ RETRAIT DU BLOC-PILES

Voir la figure 4.

⚠ AVERTISSEMENT :

Toujours retirer la pile de l'outil au moment d'assembler des pièces, d'effectuer des réglages et de procéder au nettoyage, ou lorsque l'outil n'est pas utilisé. Le fait de retirer la pile permet d'empêcher un démarrage accidentel pouvant entraîner des blessures graves.

Installation :

- Insérer la pile dans l'outil comme illustré.

⚠ AVERTISSEMENT :

Asegúrese de que los pestillos del paquete de baterías entre adecuadamente en su lugar y que el paquete de baterías esté bien colocado y asegurado en el puerto de batería antes de que encenderla. No asentar el paquete de baterías correctamente podría provocar que el paquete de baterías se caiga y cause lesiones personales graves.

Retrait :

Appuyer sur les deux loquets se trouvant sur les côtés du bloc-piles pour le séparer de la scie de manche.

⚠ AVERTISSEMENT :

Pour éviter des blessures graves, toujours retirer le bloc-piles et tenir à distance de mains le levier de verrouillage en portant l'outil.

Pour prendre connaissance des consignes de chargement, consulter le manuel d'utilisation des piles et des chargeurs.

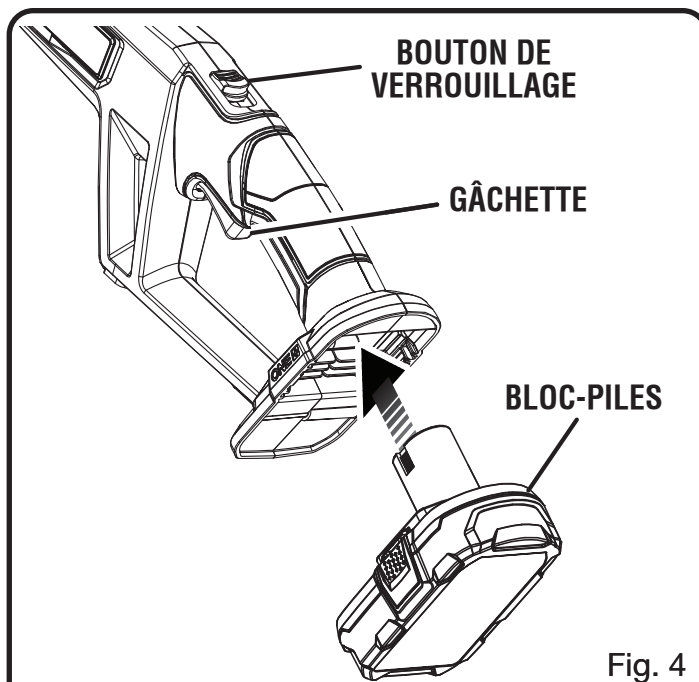


Fig. 4

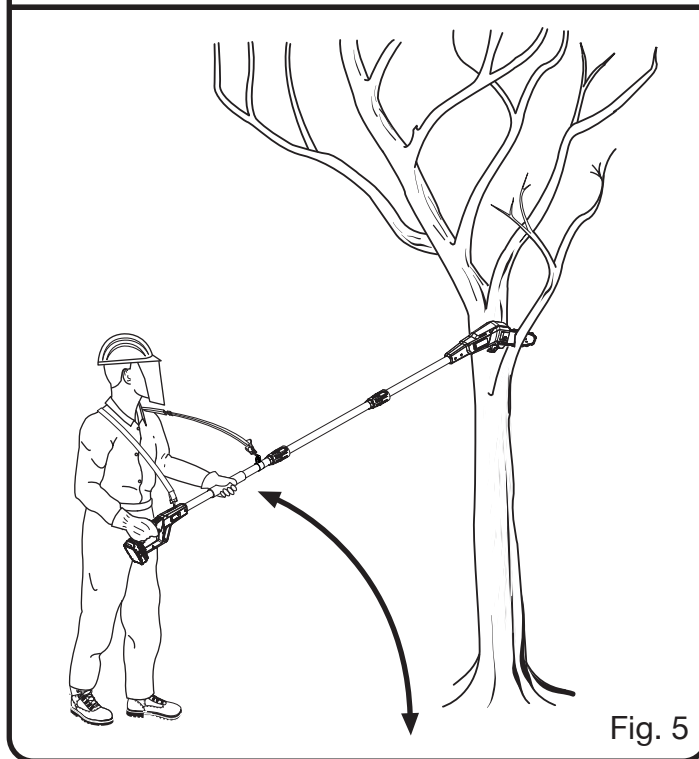


Fig. 5

DÉMARRAGE ET ARRÊT

Voir les figures 4 et 5.

Pour faire démarrer le moteur :

- Tenir l'élagueuse comme illustré et s'assurer qu'aucun obstacle ne risque d'entrer en contact avec la lame.
- Maintenir le verrouillage de gâchette enfoncé.
- Appuyer sur la gâchette.

UTILISATION

Arrêter le moteur :

- Pour arrêter l'élagueuse, relâcher la gâchette. Lorsque la gâchette est relâchée, le verrouillage se remet automatiquement en position verrouillée.

PRÉPARATION POUR LA COUPE

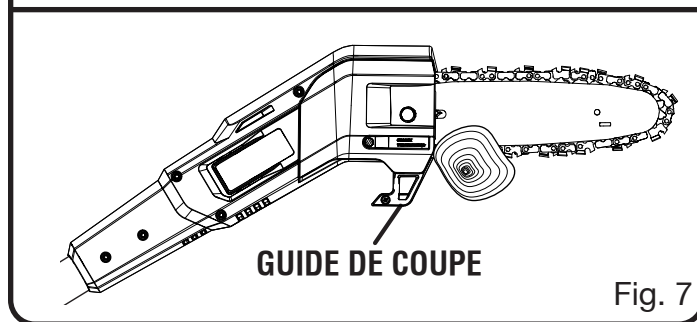
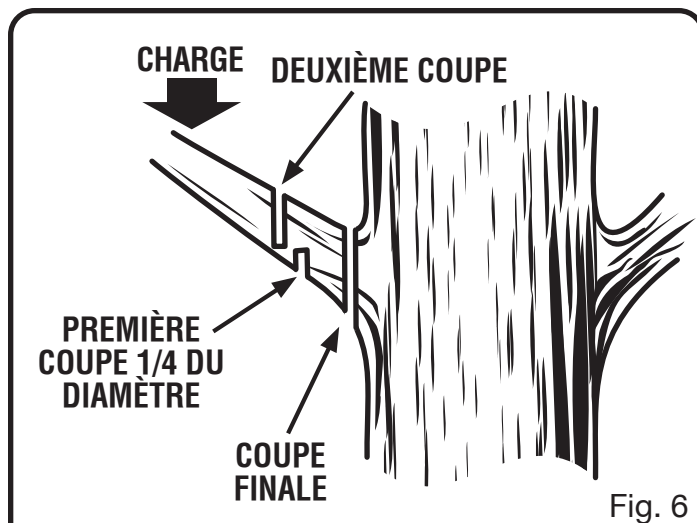
Voir les figures 6 et 7.

- Porter des gants antidérapants pour assurer une prise et une protection maximum.
- Vérifier la tension de la chaîne et réglage selon le besoin. Consulter la partie **Réglage de la tension de chaîne** de la section *Entretien*.
- Toujours maintenir une bonne prise lorsque le moteur tourne. Saisir fermement la poignée arrière avec la main droite et la poignée avant avec la main gauche.
- Tenir l'outil fermement, à deux mains. Toujours garder la main gauche sur la poignée avant et la main droite sur la poignée arrière, de façon à ce que le corps se trouve à gauche de la ligne de chaîne. Ne jamais utiliser une prise gauchère (mains inversées) ou une position qui place le bras ou le corps en travers de la ligne de chaîne.
- Ne jamais se tenir directement en dessous d'une branche en train d'être coupée.
- S'assurer que les colliers sont bien serrés avant d'utiliser l'outil, et les vérifier de temps à autre pour éviter le risque de blessures graves.

MÉTHODE DE COUPE ÉLÉMENTAIRE

Suivre la procédure ci-dessous pour éviter d'endommager l'écorce de l'arbre ou du buisson. Ne pas utiliser un mouvement de sciage d'avant en arrière.

- Effectuer une première entaille peu profonde (1/4 du diamètre de la branche) et pratiquée par le dessous de la branche, près de la branche maîtresse ou du tronc.
- Effectuer une deuxième entaille par le dessus de la branche, à l'extérieur de la première. Continuer à couper la branche jusqu'à ce qu'elle se détache de l'arbre. Se préparer à compenser le poids de l'outil lorsque la branche tombe.
- La coupe finale doit être pratiquée près du tronc.



NOTE : Pour la seconde et la dernière coupe (pratiquées par le dessus de la branche), tenir le guide avant contre la branche. Ceci stabilise la branche et facilite la coupe. Laisser la scie effectuer le travail, ne la pousser que légèrement vers le bas. Une force excessive pourrait endommager la chaîne, le guide ou le moteur.

- Relâcher la gâchette dès que la coupe a été effectuée.

Si la bonne procédure de coupe n'est pas respectée, la chaîne et le guide seront pincés ou bloqués dans l'entaille. Dans cette éventualité :

- Arrêtez le moteur et retirez le bloc-pile.
- Si la branche peut être atteinte en se tenant au sol, la soulever tout en tenant la scie. Ceci devrait « ouvrir » l'entaille et libérer l'outil.
- Si l'outil reste bloqué, consulter un professionnel.

UTILISATION

ÉBRANCHAGE ET ÉMONDAGE

Voir les figures 8 et 9.

Cet outil est conçu pour couper de petites branches, d'un diamètre maximum de 152 mm (6 po). Pour un résultat optimal, prendre les précautions suivantes :

- Planifier soigneusement la coupe. Prévoir la direction dans laquelle la branche tombera.
- Les branches peuvent tomber dans une direction imprévue. Ne jamais se tenir directement au-dessous d'une branche en train d'être coupée.
- L'angle de coupe le plus courant est de 60°. Cet angle peut être réduit en fonction de la situation, comme illustré. Plus l'angle de l'arbre de l'élagueuse par rapport au sol est prononcé, plus la première entaille (effectuée par le dessous de la branche) est difficile à réaliser.
- Couper les branches longues en plusieurs fois.
- Couper les branches basses pour laisser aux branches hautes davantage d'espace pour tomber.
- Travailler lentement et tenir l'outil fermement à deux mains. Se tenir bien campé et en équilibre.
- Garder le tronc entre le corps et la chaîne pendant l'ébranchage. Couper en se tenant du côté du tronc opposé à la branche à couper.
- Ne pas travailler en se tenant sur une échelle, ce qui est extrêmement dangereux. Ce type de travail doit être confié à des professionnels.
- Ne pas couper au ras d'une branche maîtresse ou du tronc avant d'avoir coupé la branche à distance pour en réduire le poids. Suivre la bonne méthode de coupe évite d'endommager l'écorce.
- Ne pas utiliser l'élagueuse pour abattre ou tronçonner des arbres.
- Pour éviter les risques d'électrocution, ne pas travailler à moins de 15 m (50 pi) de lignes électriques.
- Garder les badauds à une distance de 15 m (50 pi) minimum.

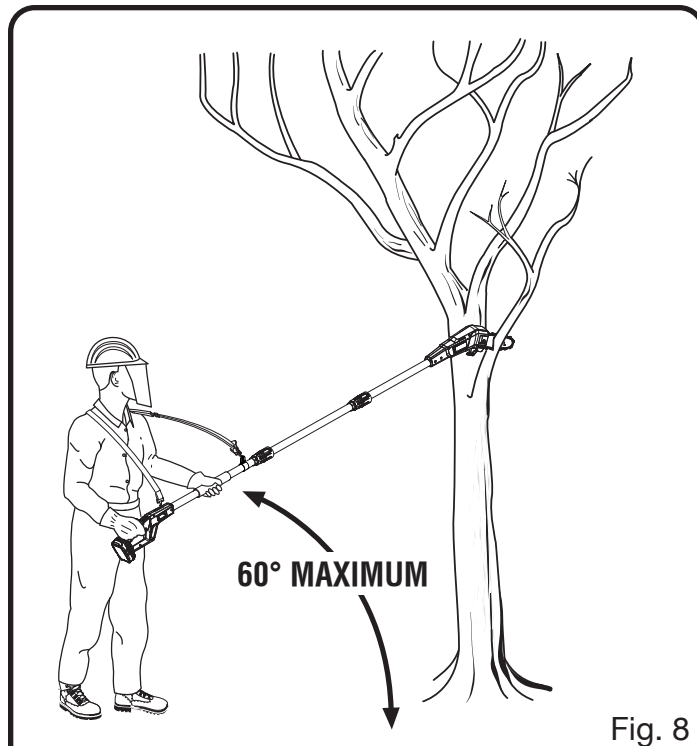


Fig. 8

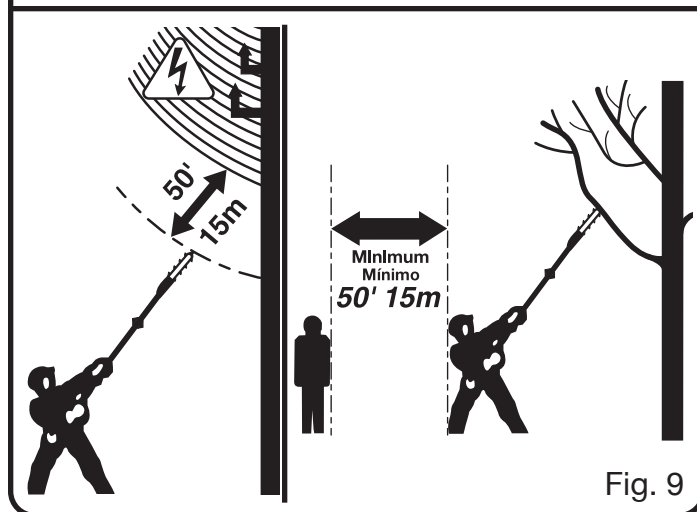


Fig. 9

ENTRETIEN

AVERTISSEMENT :

Avant d'inspecter, nettoyer ou entretenir l'équipement, arrêtez le moteur, attendez que toutes les pièces en mouvement s'arrêtent et retirez le bloc-pile. Le non-respect de ces instructions peut entraîner des blessures graves ou des dégâts matériels.

AVERTISSEMENT :

Toujours porter une protection oculaire avec écrans latéraux certifiée conforme à la norme ANSI Z87.1, ainsi qu'une protection un casque. Si cette précaution n'est pas prise, des objets peuvent être projetés dans les yeux et d'autres lésions graves.

AVERTISSEMENT :

Ne jamais utiliser de l'eau ou une autre liquide pour nettoyer ou rincer le produit et n'exposez pas à la pluie ou conditions l'humidité. La remise à l'intérieur dans un endroit sec. Les liquides corrosifs, l'eau et les produits chimiques peuvent s'infiltrer dans les composants électroniques et/ou le compartiment de la pile et endommager les composants électroniques et/ou le bloc-pile, ce qui peut entraîner un court-circuit, augmenter le risque d'incendie ou des blessures corporelles graves. Enlever toute accumulation de la saleté et les débris sur le produit de temps en temps avec un linge sec.

AVERTISSEMENT :

Utiliser exclusivement des pièces d'origine pour les réparations. L'usage de toute autre pièce pourrait créer une situation dangereuse ou endommager l'outil.

AVIS :

Inspecter périodiquement au complet le produit afin de s'assurer qu'aucune pièce (vis, écrous, boulons, chapeaux, etc.) n'est endommagée, manquante ou desserrée. Serrer solidement toutes les pièces de fixation et les chapeaux et ne pas utiliser le produit tant que toutes les pièces manquantes ou endommagées n'ont pas été remplacées. Pour obtenir de l'aide, veuillez communiquer avec le Service à la clientèle ou un centre de réparations agréé.

ENTRETIEN GÉNÉRAL

Éviter d'utiliser des solvants pour le nettoyage des pièces en plastique. La plupart des matières plastiques peuvent être endommagées par divers types de solvants du commerce. Utiliser un chiffon propre pour éliminer la saleté, la poussière, l'huile, la graisse, etc.

AVERTISSEMENT :

Ne jamais laisse de liquides tels que le fluide de freins, l'essence, les produits à base de pétrole, les huiles pénétrantes, etc., entrer en contact avec les pièces en plastique. Les produits chimiques peuvent endommager, affaiblir ou détruire le plastique, ce qui peut entraîner des blessures graves.

Tous les travaux d'entretien de la scie de manche, à l'exception de ceux qui sont mentionnés dans les directives d'entretien du guide d'utilisation, doivent être réalisés par des spécialistes de l'entretien de scie de manche compétents (par exemple, l'utilisation d'outils inappropriés pour immobiliser le volant afin de retirer l'embrayage peut endommager la structure du volant, par suite de quoi celui-ci pourrait éclater).

RÉGLAGE DE LA TENSION DE LA CHAÎNE

Voir les figures 10 à 13.

⚠ AVERTISSEMENT :

Arrêter le moteur, attendre l'arrêt complet de toutes les pièces en mouvement et retirer le bloc-pile avant de régler la tension de la chaîne. Ne jamais toucher ou régler la chaîne lorsque le moteur tourne. La chaîne est extrêmement tranchante. Toujours porter des gants lors de l'entretien de la chaîne. Ne pas respecter ces instructions représente un risque de blessures graves.

Une tension correcte de la chaîne est essentielle à la performance de votre scie de manche. Toujours vérifier la tension de la chaîne avant d'utiliser la scie et périodiquement jusqu'à ce que vous terminez votre travail. La chaîne doit être retendue chaque fois que les parties plates des maillons d'entraînement pendent au-dessous de la rainure du guide.

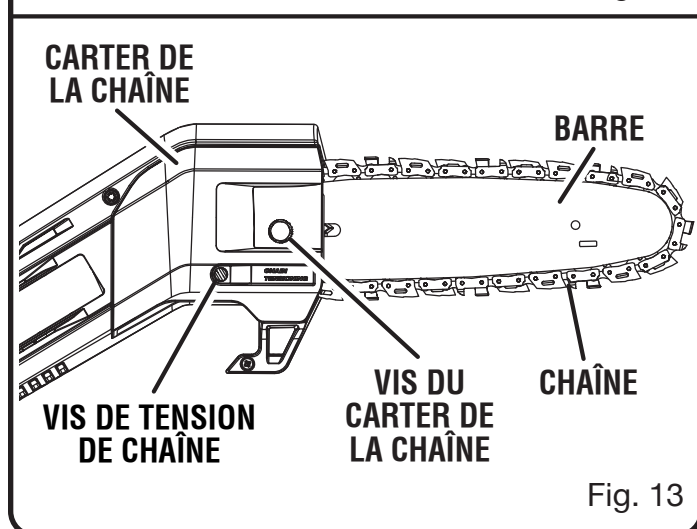
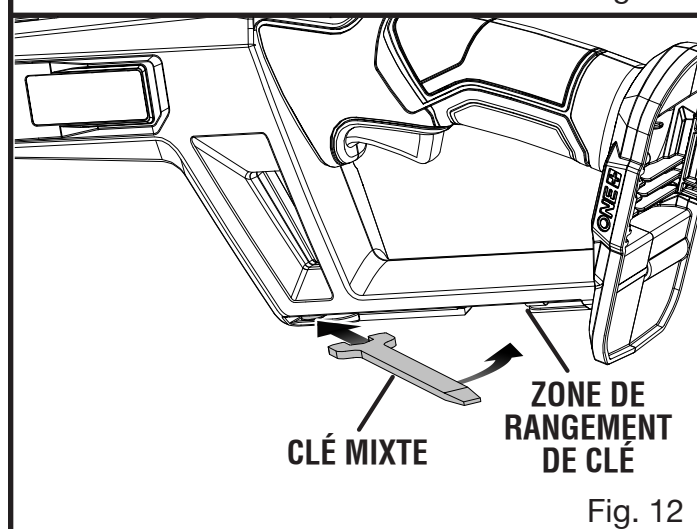
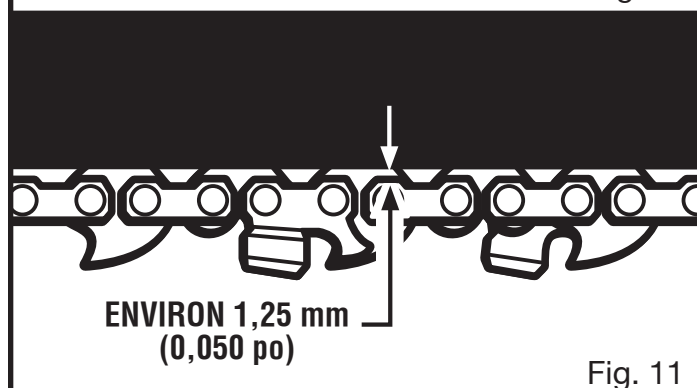
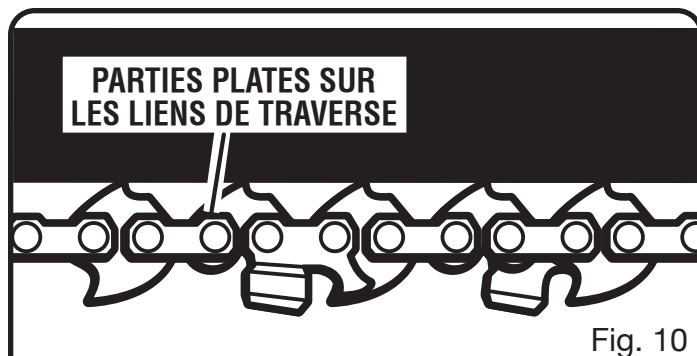
Une chaîne froide est correctement tendue lorsqu'il n'y a aucun mou sous le rail de guidage. La chaîne doit être bien serrée mais doit toujours pouvoir être tournée à la main sans se coincer.

La tension d'une chaîne chaude est correcte lorsqu'il y a environ 1,27 mm (0,05 po) entre les parties plates sur les liens de traverse et les rainures de la lame.

Si un réglage est nécessaire :

- Enlever la clé mixte de l'espace de rangement.
- Desserrer très légèrement la vis du carter de la chaîne.
- Soulever le bout de la lame-guide et le tenir jusqu'à la fin de ce processus.
- Tourner la vis de tensionnement de la chaîne dans le sens horaire jusqu'à ce que les parties plates sur les liens de traverse entrent en contact avec la lame, en s'assurant que les liens d'entraînement sont bien insérés dans les rainures de la lame.
- Reserrer fermement la vis du carter de la chaîne.
- Relâcher le bout de la lame-guide et vérifier si la chaîne possède maintenant la tension correcte à l'aide des lignes directrices ci-haut.

NOTE : Si la chaîne est trop tendue et ne peut pas tourner, desserrer légèrement la vis du carter de la chaîne et tourner la vis de tension de 1/4 de tour vers la gauche. Relever l'extrémité du guide et serrer fermement la vis du carter de la chaîne,



ENTRETIEN

puis vérifier que la chaîne peut tourner sans se gripper.

NOTE : Les chaînes neuves ont tendance à s'étirer. Il convient donc de vérifier fréquemment leur tension et de la corriger le cas échéant.

- Remettre la clé mixte dans l'espace de rangement.

AVIS :

Une chaîne réglée à chaud peut présenter une tension excessive une fois refroidie. Vérifier la « tension à froid » avant l'utilisation suivante.

REEMPLACEMENT DE LA GUIDE ET CHAÎNE

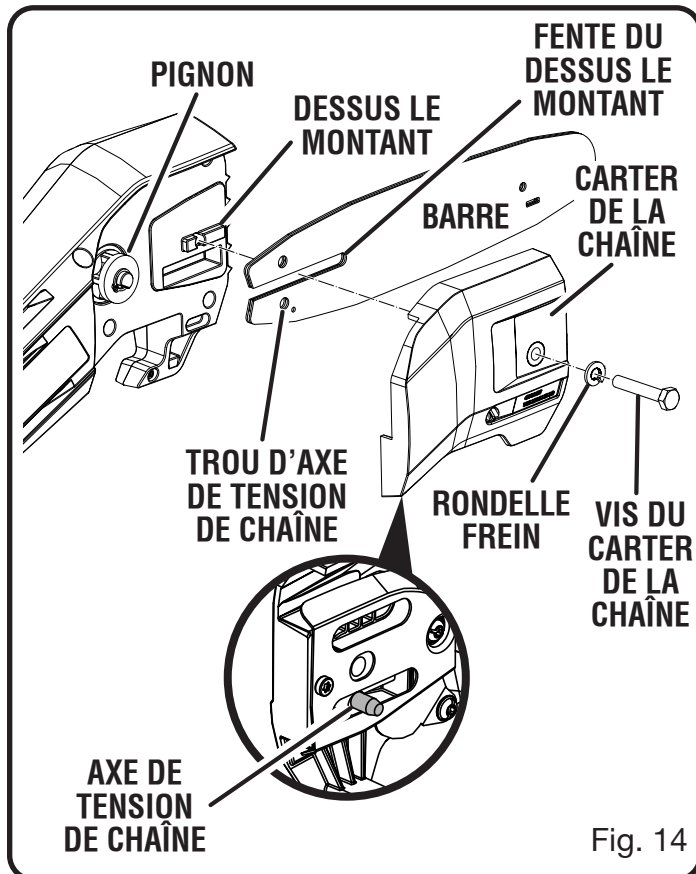
Voir les figures 14 à 16.



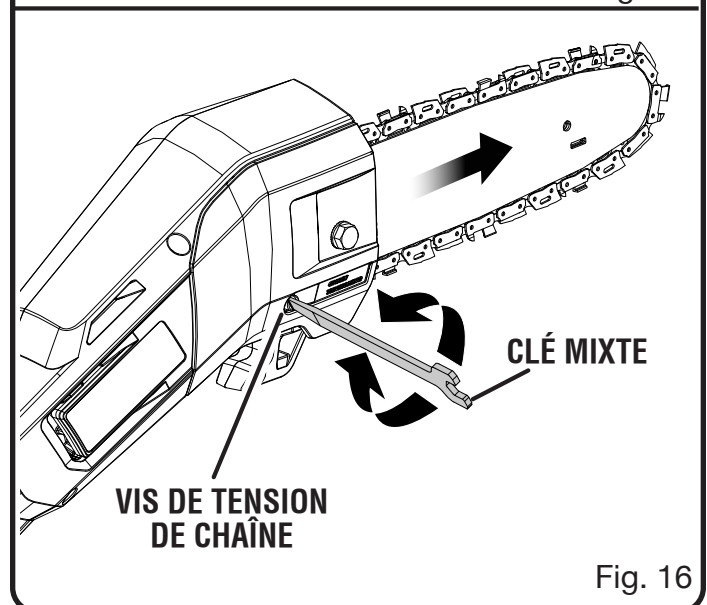
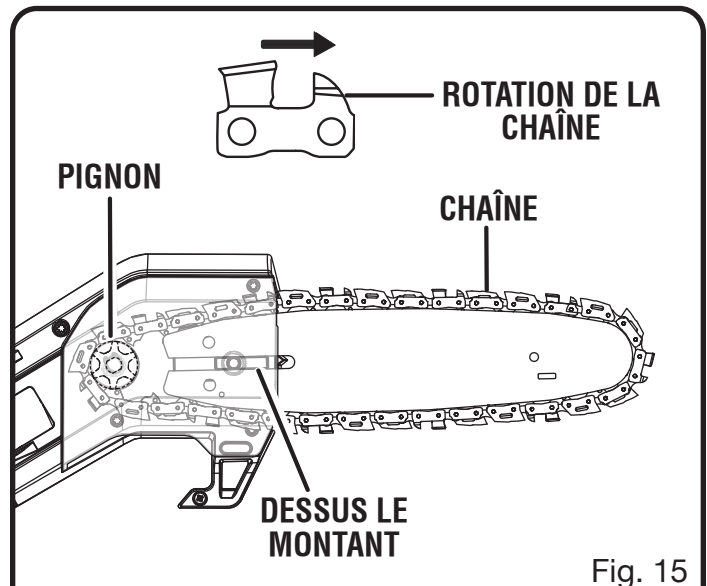
AVERTISSEMENT :

Pour éviter des risques de blessures, arrêtez le moteur et retirez le bloc-pile avant de remplacer le guide, la chaîne ou d'effectuer un entretien.

- Enlever la clé mixte de l'espace de rangement.



- Avec le clé mixte fournie, retirer la vis du carter de chaîne et la rondelle et retirer le carter.
- La barre comporte une fente qui se fixe par dessus le montant. La barre comporte également un trou qui s'engage sur l'axe de tension de la chaîne trouvant à l'intérieur du couvercle.
- Placer la barre sur le dessus le montant.
- Engager la chaîne sur le pignon et dans la rainure du guide. Les dents du haut du guide doivent être orientées vers l'avant, dans le sens de rotation de la chaîne.
- Réinstaller le carter de chaîne, de façon à ce que l'axe de tension de la chaîne soit inséré dans la trou d'axe de tension de chaîne sur la barre.



ENTRETIEN

NOTE : Si nécessaire, tourner la vis de tension de chaîne vers la gauche jusqu'à ce que l'axe et le trou soient alignés.

- Réinstaller la rondelle et la vis. Serrer la vis à la main seulement. Le mouvement du guide est nécessaire pour le réglage de la tension.
- Éliminer complètement le mou de la chaîne en tournant la vis de réglage de tension vers la droite jusqu'à ce que la chaîne soit bien ajustée dans la rainure du guide.
- Serrer fermement la vis du carter de la chaîne de montage.
- Remettre la clé mixte dans l'espace de rangement.

NOTE : La chaîne est correctement tendue lorsqu'elle ne présente pas de mou en dessous du guide et qu'elle est bien serrée mais peut cependant être tournée à la main sans se gripper.

Si la chaîne est trop tendue, elle ne peut pas tourner. Desserrer légèrement la vis du carter de la chaîne du guide et tourner la vis de tension de 1/4 de tour vers la gauche. Resserrer fermement la vis du carter de la chaîne.

ENTRETIEN DE LA CHAÎNE

Voir la figure 17.

AVERTISSEMENT :

Retirer le bloc-pile et s'assurer que la chaîne s'est immobilisée avant d'entreprendre tout travail sur la scie pour éviter un démarrage accidentel et des blessures graves.

Pour couper rapidement et nettement, la chaîne doit être correctement entretenue. Les conditions suivantes indiquent que la chaîne a besoin d'être affûtée :

- Les copeaux sont petits et poudreux
- La chaîne doit être forcée au travers du bois pour couper
- La chaîne ne coupe que d'un côté

Lors de l'entretien de la chaîne, tenir compte des points suivants :

- Un angle d'affûtage incorrect de la plaque latérale peut accroître les risques de rebond puissant.

JEU DU LIMITEUR DE PROFONDEUR



Fig. 17

PIÈCES D'UNE DENT

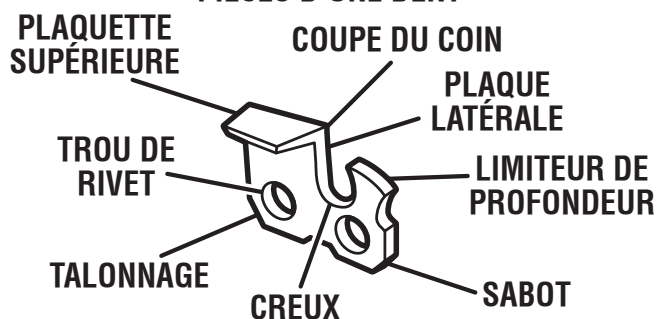


Fig. 18

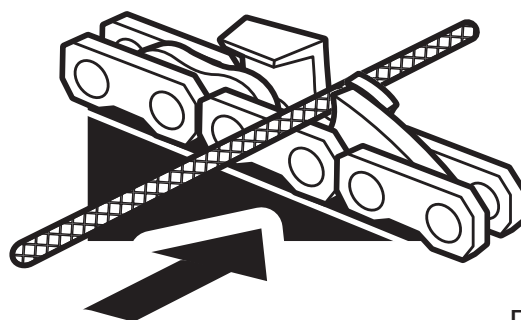


Fig. 19

- Le réglage de la profondeur de coupe détermine la pénétration des dents dans le bois et la taille des copeaux produits. Un réglage trop profond accroît le risque de rebond. Une profondeur insuffisante réduit la taille des copeaux, donc l'efficacité de coupe de la chaîne.
- Si les dents de la chaîne ont heurté des objets durs tels que des clous ou des pierres, ou ont été abrasées par du sable ou de la boue se trouvant sur le bois, la faire affûter dans un centre de réparations agréé.

COMMENT AFFÛTER LES DENTS

Voir les figures 18 à 21.

Veiller à limer toutes les dents aux angles spécifiés et à la même longueur, car une coupe rapide ne peut être obtenue qu'avec des dents uniformes.

ENTRETIEN

⚠ AVERTISSEMENT :

La chaîne de la scie est extrêmement tranchante. Toujours porter des gants lors de son entretien pour éviter des blessures graves.

- Tendre la chaîne correctement avant de l'affûter. Voir la section **Réglage de la tension de la chaîne** plus haut dans ce manuel. Tout le limage doit être effectué au point central du guide.
- Utiliser une lime ronde de 5/32 po, et un porte-lime.
- Garder la lime de niveau avec la plaque supérieure de la dent. Ne pas incliner la lime ou utiliser un mouvement de bascule.
- Exercer une pression légère mais ferme et limer en direction du coin avant de la dent. Soulever la lime du métal à chaque retour.
- Effectuer quelques passes fermes sur chaque dent. Limer toutes les gouges de gauche dans un sens. Ensuite, passer à l'autre côté et limer toutes les gouges de droite dans l'autre sens. De temps à autre, éliminer la limaille de la lime au moyen d'une brosse métallique.

⚠ AVERTISSEMENT :

Un affûtage incorrect de la chaîne accroît le risque de rebond, ce qui peut causer des blessures graves.

⚠ AVERTISSEMENT :

L'utilisation d'une chaîne endommagée peut causer de blessures graves.

AVIS :

Une chaîne émoussée ou incorrectement affûtée peut causer un régime excessif du moteur pendant la coupe et l'endommager gravement.

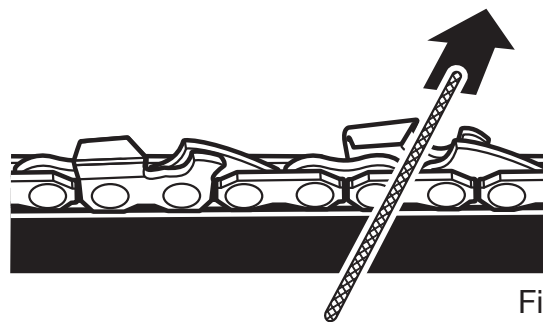


Fig. 20

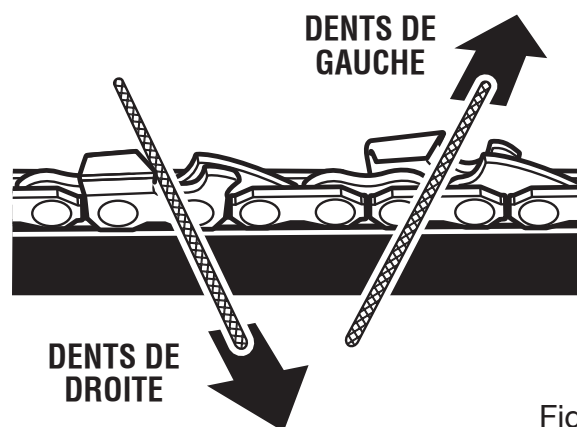


Fig. 21

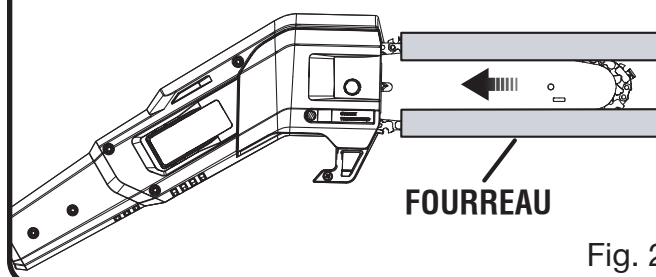


Fig. 22

REMISAGE LE PRODUIT

Voir la figure 22.

⚠ AVERTISSEMENT :

Toujours enlever le bloc-piles avant de transporter ou de ranger la scie à chaîne. Ranger le bloc-piles à l'intérieur dans un endroit sec, sécuritaire et hors de la portée des enfants. Le défaut de suivre ces instructions pourrait entraîner un démarrage accidentel ou une utilisation non autorisée et causer des blessures personnelles graves.

ENTRETIEN

- Nettoyer soigneusement le produit. Le remiser dans un endroit bien aéré, inaccessible aux enfants. La tenir à l'écart de produits corrosifs, tels que les produits chimiques de jardinage et le sel de dégivrage.
- Toujours placer le fourreau sur le guide lors du transport ou du remisage de la scie. Le fourreau est très ajusté et il doit être installé avec la plus

grande prudence, car les dents de la chaîne sont tranchantes. Pour ce faire, saisir le fourreau à une extrémité en son milieu et l'enfiler avec prudence sur la chaîne comme illustré. Veiller à ne pas se couper sur les dents de la chaîne.

NOTE : La chaîne de la scie est extrêmement tranchante. Toujours porter des gants lors de sa manipulation.

DÉPANNAGE

PROBLÈME	CAUSE	SOLUTION
Le guide et la chaîne chauffent et fument.	Regarder si la chaîne est trop tendue	Tendre la chaîne. Voir Réglage de la tension de la chaîne plus haut dans ce manuel.
Le moteur tourne, mais la chaîne ne se met pas en rotation.	Tension de la chaîne excessive. Vérifier l'ensemble guide et chaîne. S'assurer que l'ensemble guide et chaîne n'est pas endommagé.	Retendre la chaîne. Voir Réglage de la tension de la chaîne plus haut dans ce manuel. Voir Remplacement du guide et de la chaîne plus haut dans ce manuel. S'assurer que l'ensemble guide et chaîne n'est pas endommagé.

Ce produit est accompagné d'une garantie limitée de trois (3) ans pour utilisation personnel, familiales ou domestiques (90 jours pour utilisation affaires ou commerciaux). Pour obtenir les détails de la garantie, visiter le site www.ryobitools.com ou appeler (sans frais) au 1-800-860-4050.

INSTRUCCIONES DE SEGURIDAD IMPORTANTES



ADVERTENCIA:

Lea y comprenda todas las instrucciones. El incumplimiento de las instrucciones señaladas abajo puede causar descargas eléctricas, incendios y lesiones corporales serias.

LEA TODAS LAS INSTRUCCIONES

- Para la operación segura, lea y entienda todas las instrucciones antes de usar este producto. Familiarícese con todos los controles y la forma correcta de utilizar la máquina. Siga todas las instrucciones de seguridad. La inobservancia de todas las instrucciones de seguridad señaladas abajo puede causar lesiones corporales graves.
- No permita que utilicen esta unidad niños ni personas carentes de la debida instrucción para su manejo.
- Inspeccione a fondo el área donde piense utilizar el equipo y elimine todos los objetos extraños.
- Al utilizar esta herramienta, póngase protección para los ojos con protección lateral con la marca de cumplimiento de la norma ANSI Z87.1, así como protección para la cabeza.
- Vístase adecuadamente — Póngase pantalones largos de tela gruesa, mangas largas, botas y guantes. No se ponga ropa holgada o pantalones cortos o sandalias, ni ande descalzo. No se ponga joyas de ninguna clase.
- Recójase el cabello largo arriba del nivel de los hombros para evitar que se enrede en las piezas móviles.
- Mantenga alejados a los niños — Mantenga alejados a todos los circunstantes, niños y animales a una distancia mínima de 15 m (50 pies).
- Permanezca alerta — Preste atención a lo que esté haciendo y aplique el sentido común. No use esta unidad cuando se encuentre fatigado, enfermo, molesto o bajo los efectos del alcohol, drogas o medicamentos.
- No utilice la unidad en condiciones deficientes de iluminación.
- Utilice gafas de seguridad — Siempre use una careta o mascarilla contra el polvo si la operación genera mucho polvo.
- Desconecte aparatos — Quite la batería de aparato cuando no la tenga en uso, antes de dar servicio, o cambiar accesorios como la barra cadena.
- No estire el cuerpo para alcanzar más lejos — Mantenga los pies bien asentados y conserve el equilibrio en todo momento. Al tratar de hacerlo puede perder el equilibrio o exponerse al contacto con superficies calientes.
- Mantenga todas las partes del cuerpo alejadas de toda pieza en movimiento.
- Inspeccione cada vez la unidad antes de usarla para ver si tiene tornillos flojos, etc. Reemplace toda pieza dañada antes de utilizar la unidad.
- Cuando no está en uso, la sierra debe guardarse en el interior, en un lugar seco y cerrado con llave, lejos del alcance de los niños.
- Sólo utilice piezas de repuesto del fabricante original. De lo contrario puede originarse un mal desempeño de la herramienta y lesiones corporales, además de anularse la garantía.
- En ninguna circunstancia, use aditamento o accesorio alguno en este producto, que no se haya suministrado con el producto mismo, o que no esté identificado como apropiado para el uso con este producto en el manual del operador.
- Evite los entornos peligrosos de trabajo — No use el accesorio en lugares húmedos o mojados. No lo use en la lluvia.
- Apague el motor, espere hasta que todas las piezas se detengan y retire la paquete de baterías antes al limpiarla o darle mantenimiento.
- Nunca use agua ni otros líquidos para limpiar o enjuagar la product y no exponga la unidad a la lluvia ni de condiciones húmedas. Almacene la unidad en el interior en un lugar seco. Los líquidos corrosivos, el agua, y los productos químicos pueden ingresar los componentes eléctricos del porducto y/o al compartimiento de la batería y dañar los componentes eléctricos o el paquete de la batería, lo que podría resultar en un corto circuito, mayor riesgo de incendio y lesiones personales graves. Retire la acumulación de suciedad y los residuos limpiando el producto con un trapo seco de manera ocasional.
- Utilice el aparato adecuado para la tarea — No utilice la producto para ninguna función diferente de las especificadas.
- No utilice la unidad al estar en las escaleras, una andamios, una tejado, un árbol o en un soporte inestable. Una postura estable sobre una superficie sólida permite un mejor control de la herramienta en situaciones inesperadas.

INSTRUCCIONES DE SEGURIDAD IMPORTANTES

- No fuerce la producto. Es más eficaz y presenta menos riesgo de lesiones a la velocidad de trabajo para la que fue diseñada.
- **PELIGRO** — Mantenga las manos alejadas del área de corte. Mantenga ambas manos en los mangos al utilizar la unidad.
- **PRECAUCIÓN** — La hoja de corte continúa girando por inercia después de apagar la unidad.
- Mantenga los mangos secos, limpios y sin aceite ni grasa.
- Revise para ver si hay piezas dañadas — Antes de seguir utilizando la producto, es necesario

inspeccionar cuidadosamente toda protección o pieza dañada para determinar si funcionará correctamente y desempeñará la función a la que está destinada. Verifique la alineación de las partes móviles, que no haya atoramiento de partes móviles, que no haya piezas rotas, el montaje de las piezas y cualquier otra condición que pudiera afectar su funcionamiento. Cualquier protección o pieza que esté dañada debe ser reparada apropiadamente o reemplazada en un centro de servicio autorizado, a menos que se indique otra cosa en este manual.

REGLAS DE SEGURIDAD ESPECÍFICAS

- El contragolpe es una reacción peligrosa de la herramienta que puede ocasionar lesiones serias. El contragolpe ocurre cuando la cadena en movimiento hace contacto con un objeto en la parte superior de la punta de la barra, o cuando la madera se cierra y pellizca la cadena en el punto de corte. El contacto de la parte superior de la punta de la barra con la madera puede causar que la cadena se clave en el material y se detenga instantáneamente. El resultado es una reacción súbita en dirección inversa, la cual lanza la barra guía hacia arriba y hacia atrás, en la dirección donde se encuentra el operador. Si resulta pellizcada la cadena en la parte superior de la barra guía, ésta puede impulsarse rápidamente hacia atrás, hacia el operador, lo cual puede causar una pérdida de control y posibles lesiones graves. No dependa exclusivamente de los dispositivos de seguridad incorporados en el producto.

Con un conocimiento básico del contragolpe de la sierra, puede reducir o incluso eliminar el elemento sorpresa. La sorpresa súbita contribuye a los accidentes.

- La sierra de pértiga sólo debe emplearse para cortar madera. Nunca utilice para cortar de materiales de construcción que no sean madera.
- Asegúrese de que no haya obstrucciones en el área donde esté cortando. No permita que la punta de la barra guía entre en contacto con ningún tronco, rama, cerca, o cualquier otra obstrucción al estar operando la sierra. Tenga un sendero planeado de la retirada.

- Corte solamente cuando al visibilidad y la luz sean adecuadas para ver claramente.
- Para protegerse de una posible electrocución, no trabaje a menos de 15 metros (50 pies) de cables eléctricos aéreos.
- En una situación de emergencia, utilice los clips de resorte en la correa para el hombro de liberación rápida para liberarse de correa y la sierra de pértiga.
- **ADVERTENCIA** — No opere cerca de las líneas de alimentación eléctrica superiores. La unidad no fue diseñada para ofrecer protección contra descargas eléctricas en el caso de entrar en contacto con líneas eléctricas superiores. Consulte las reglamentaciones locales para ver las distancias seguras desde las líneas de alimentación eléctrica superiores y asegurarse de que la posición de funcionamiento sea segura y esté protegida antes de hacer funcionar la herramienta.
- Antes de arrancar el motor, asegúrese de que no esté tocando ningún objeto la cadena.
- Para protegerse contra ramas que caen, no se pare directamente debajo de la rama que se esté cortando. Esta unidad no debe sostenerse a un ángulo superior a 60° sobre el nivel del suelo.
- Apague el motor y asegúrese de que el aditamento de corte se haya detenido antes de dejar la unidad en reposo.
- Siga las instrucciones de afilado y mantenimiento correspondientes a la cadena de la sierra.

REGLAS DE SEGURIDAD ESPECÍFICAS

- Sólo use las barras guía y las cadenas de contragolpe moderado de repuesto especificadas para la unidad.
- ¡No opere el vio con una mano! La herida grave al operario, a los ayudantes, a los espectadores, o a cualquier combinación de estas personas puede los resultados de una operación de mano. Esto vio destinado para el uso a dos manos.
- Tenga extrema precaución al cortar broza pequeña y árboles jóvenes, ya que el material delgado puede atraparse en la cadena de la sierra y puede latigear hacia usted o desequilibrarlo.
- Al cortar una rama que esté bajo tensión, esté alerta al impulso de regreso de la misma, de manera que no le pegue cuando se libere la tensión presente en las fibras de la madera.
- Para evitar un arranque accidental; nunca traslade la unidad con la paquete de baterías instalado o el dedo en el gatillo del interruptor.
- Dé mantenimiento con cuidado a le producto — Mantenga afilado el filo de corte y límpielo para lograr un desempeño óptimo de la unidad y para reducir el riesgo de lesiones. Siga las instrucciones correspondientes al cambio y lubricación de accesorios. Inspeccione periódicamente el cable del cargador de la batería, y si está dañado, permita que lo cambien o lo reparen en un establecimiento de servicio autorizado.
- Mantenga los mangos secos, limpios y sin aceite ni grasa.
- Mantenga todas las partes del cuerpo alejadas de la cadena de la sierra. No retire material cortado ni sujete material por cortar mientras estén moviéndose las hojas. Asegúrese de apagar la máquina cuando retire el material atascado. La cadena de la sierra sigue moviéndose después de desactivar el interruptor. Un momento de desatención mientras opera la sierra de pértiga podría provocar lesiones personales graves.
- Transporte la sierra de pértiga usando el mango con la cadena de la sierra detenida. Cuando transporte o almacene la sierra de pértiga, coloque siempre la vaina en la barra de la sierra. El manejo apropiado de la sierra de pértiga reducirá las posibles lesiones personales con la cadena de la sierra.
- Sujete la sierra de pértiga solo desde las superficies de agarre aisladas, ya que la cadena de la sierra podría entrar en contacto con cableado oculto. Si la cadena de la sierra toca un cable elec-trificado, las piezas metálicas expuestas de la herramienta podrían electrificarse y producirle una descarga eléctrica al operador.
- No use la sierra de pértiga en condiciones de clima adverso, especialmente cuando haya riesgo de relámpagos. Esto disminuye el riesgo de que lo alcance un relámpago.
- Para reducir el riesgo de electrocución, nunca use la herramienta cerca de cables de alimentación eléctrica. El contacto con cables de alimentación eléctrica o el uso cerca de ellos puede causar lesiones graves o descargas eléctricas que pueden ocasionar la muerte.
- Use siempre dos manos al utilizar la sierra de pértiga. Sostenga la sierra de pértiga con ambas manos para no perder el control.
- Siempre use protección para la cabeza al operar la sierra de pértiga sobre la cabeza. La suciedad arrojada puede causar lesiones personales graves.
- Sólo personal de reparación calificado debe dar servicio al producto. Todo servicio o mantenimiento efectuado por personal no calificado puede significar un riesgo de lesiones al usuario, y de daños físicos al producto.
- Las herramientas de baterías no necesitan conectarse a una toma de corriente; por lo tanto, siempre están en condiciones de funcionamiento. Esté consciente de los posibles peligros incluso si no está encendida la unidad.
- Retire el paquete de baterías de la sierra de pértiga antes de limpiar, dar servicio, guardar, quitar material, cambiar accesorios (como la barra y la cadena) a la unidad, o cuando no la tenga en uso.
- Sólo debe cargarse el paquete de baterías con el cargador especificado para el mismo. Un cargador que puede ser adecuado para un tipo paquete de baterías puede significar un riesgo de incendio si se emplea con otro paquete de baterías. Cargue el paquete de baterías solamente con el cargador indicado.




REGLAS DE SEGURIDAD ESPECÍFICAS

- Usar este producto únicamente con la baterías y el cargador indicados en el folleto de la herramienta/aparato/paquete de baterías/cargador complementario 987000-432.
- Con el fin de reducir el riesgo de explosiones y lesiones, no coloque las unidades de baterías ni las baterías mismas cerca del fuego o del calor.
- No abra ni dañe el paquete de baterías. El electrolito emitido es corrosivo y puede causar daños en los ojos y en la piel. Puede ser tóxico si se ingiere.
- No cargue la aparato en en la lluvia o en lugares húmedos.
- No cargue la unidad en lugares mojados o húmedos. Con el cumplimiento de esta regla se reduce el riesgo de una descarga eléctrica.
- No deseché las baterías en el fuego. Pueden estallar las baterías. Las baterías deben reciclarse; consulte a las autoridades locales reguladoras de los desechos para obtener información en relación con las alternativas de reciclado y desecho disponibles.
- Tenga cuidado cuando maneje baterías a fin de no realizar un cortocircuito. Cuando no esté usando el paquete de baterías, manténgalo alejado de todo objeto metálico como: clips, monedas, llaves, clavos, tornillos y otros objetos metálicos pequeños que puedan establecer conexión entre ambas terminales. Establecer una conexión directa entre las dos terminales del paquete de baterías puede causar chispas, quemaduras o incendios.
- Guarde estas instrucciones. Consúltelas con frecuencia y empléelas para instruir a otras personas que puedan utilizar este producto. Si presta a alguien este producto, facilítele también las instrucciones con el fin de evitar un uso indebido del producto y posibles lesiones.

GUARDE ESTAS INSTRUCCIONES











SÍMBOLOS

Las siguientes palabras de señalización y sus significados tienen el objeto de explicar los niveles de riesgo relacionados con este producto.

SÍMBOLO	SEÑAL	SIGNIFICADO
	PELIGRO:	Indica una situación peligrosa, la cual, si no se evita, causará la muerte o lesiones serias.
	ADVERTENCIA:	Indica una situación peligrosa, la cual, si no se evita, podría causar la muerte o lesiones serias.
	PRECAUCIÓN:	Indica una situación peligrosa la cual, si no se evita, puede causar lesiones leves o moderadas.
	AVISO:	(Sin el símbolo de alerta de seguridad) Indica la información que se considera importante, pero no relacionada con lesiones potenciales (por ej. en relación a daños a la propiedad).

SÍMBOLOS

Es posible que se empleen en este producto algunos de los siguientes símbolos. Le suplicamos estudiarlos y aprender su significado para mayor seguridad al manejar este producto.

SÍMBOLO	NOMBRE	EXPLICACIÓN
	Símbolo de alerta de seguridad	Indica un peligro posible de lesiones personales.
	Lea el manual del operador	Para reducir el riesgo de lesiones, el usuario debe leer y comprender el manual del operador antes de usar este producto.
	Póngase protección para los ojos y la cabeza	Siempre póngase protección ocular con protección lateral con la marca de cumplimiento de la norma ANSI Z87.1, así como protección para la cabeza.
	Alerta de condiciones húmedas	No exponga la batería, el compartimento de la batería o componentes electrónicos a la lluvia, el agua o líquidos. No exponga la producto a la lluvia o a lugares húmedos, ni cargue la batería en esas condiciones.
	Guantes	Cuando maneje la sierra y la hoja de corte, póngase guantes protectores no deslizantes para uso pesado.
	Calzado de seguridad	Cuando utilice este equipo póngase calzado de seguridad antideslizante.
	Evite las cables eléctricos/ Mantenga alejadas a las personas presentes	¡PELIGRO! ¡Riesgo de electrocución! No trabaje a menos de 15 m (50 pies) de cables eléctricos. Mantenga a los circunstantes a una distancia mínima de 15 m (50 pies)
	Descarga eléctrica	Si no se usa la unidad en condiciones secas y no se observan prácticas seguras de trabajo, puede producirse una descarga eléctrica.
	Símbolo de no acercar las manos	Si no mantiene las manos alejadas de la hoja de corte, se causará serias lesiones corporales.
	Símbolos de reciclado	Este producto utiliza baterías de iones de litio (Li-ion). Es posible que algunas leyes municipales, estatales o federales prohíban desechar las baterías en la basura normal. Consulte a las autoridades reguladoras de desechos para obtener información en relación con las alternativas de reciclado y desecho disponibles.
V	Voltios	Voltaje
==	Corriente continua	Tipo o característica de corriente

CARACTERÍSTICAS

ESPECIFICACIONES DEL PRODUCTO

Motor	18 voltios C.C.
Longitud de la barra	203 mm (8 pulg.)
Capacidad de corte.....	152 mm (6 pulg.)
Paso de la cadena.....	9,5 mm (3/8 pulg.)
Tipo de cadena.....	Estándar

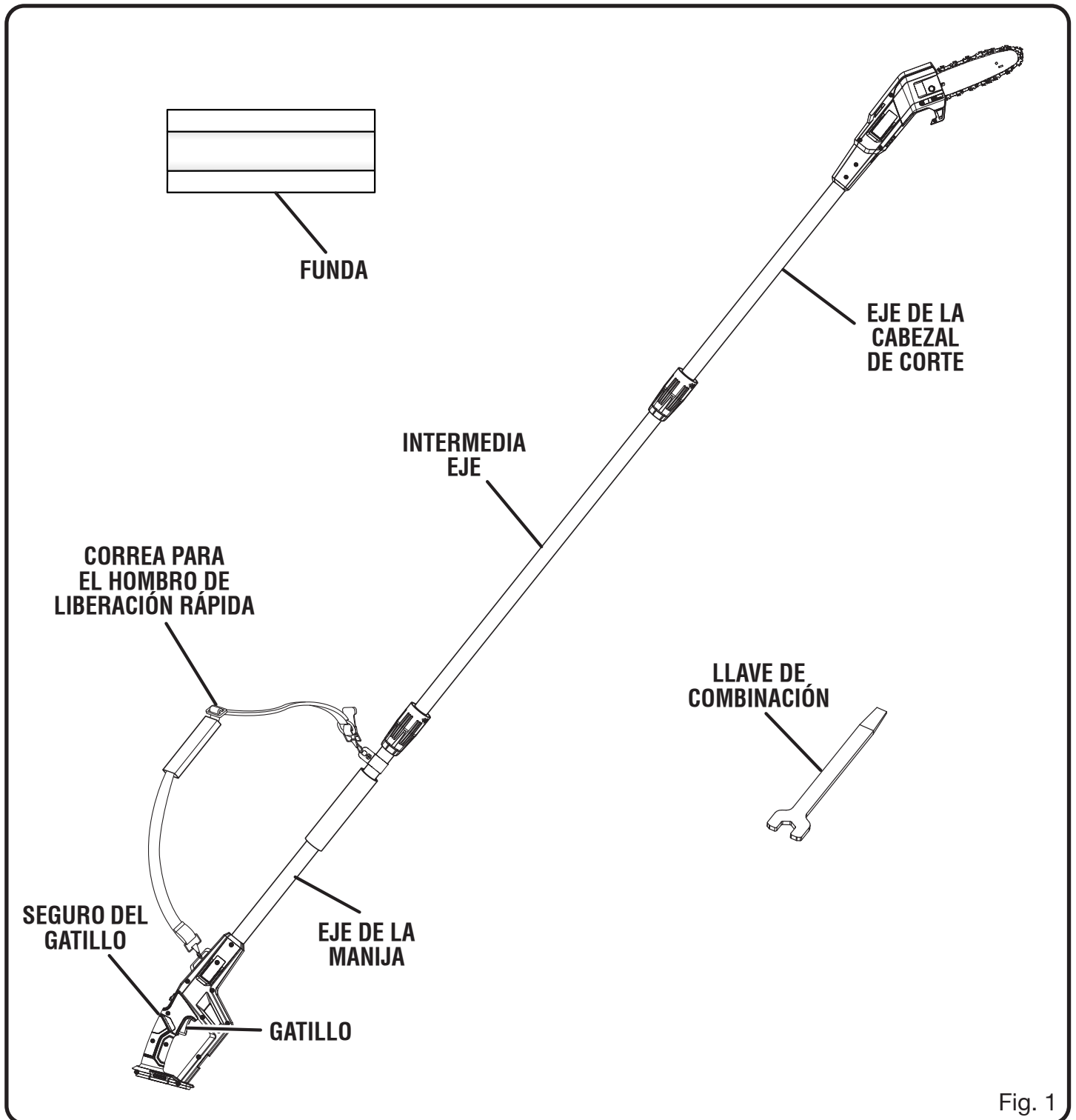


Fig. 1

CARACTERÍSTICAS

FAMILIARÍCESE CON SU SIERRA DE PÉRTIGA

Vea la figura 1.

Para usar este producto con la debida seguridad se debe comprender la información indicada en la producto misma y en este manual, y se debe comprender también el trabajo que intenta realizar. Antes de usar este producto, familiarícese con todas las características de funcionamiento y normas de seguridad del mismo.

FUNDA

La funda impide que el operador toque las afiladas hojas cuando no tenga en uso la herramienta. También ayuda a impedir que las las hojas resulten melladas o dañadas cuando está guardada la herramienta.

SEGURO DEL GATILLO

El seguro del gatillo impide un arranque accidental de la herramienta.

ARMADO

DESEMPAQUETADO

Este producto requiere armarse.

- Extraiga cuidadosamente de la caja el producto y los accesorios. Asegúrese de que estén presentes todos los artículos enumerados en la **Lista de empaquetado**.

ADVERTENCIA:

No utilice este producto si alguna pieza incluida en la **Lista de empaquetado** ya está ensamblada al producto cuando lo desempaqueta. El fabricante no ensambla las piezas de esta lista en el producto. Éstas deben ser instaladas por el usuario. El uso de un producto que puede haber sido ensamblado de forma inadecuada podría causar lesiones personales graves.

- Inspeccione cuidadosamente el producto para asegurarse de que no haya sufrido ninguna rotura o daño durante el transporte.
- No deseche el material de empaquetado hasta que haya inspeccionado cuidadosamente el producto y la haya utilizado satisfactoriamente.

- Si hay piezas dañadas o faltantes, le suplicamos llamar al 1-800-860-4050, donde le brindaremos asistencia.

LISTA DE EMPAQUETADO

Eje de la cabezal de corte

Intermedia eje

Eje de la manija

Funda

Llave de combinación

Correa para el hombro de liberación rápida

Manual del operador

ADVERTENCIA:

Si falta o está dañada alguna pieza, no utilice este producto sin haber reemplazado la pieza. Usar este producto con partes dañadas o faltantes puede causar lesiones serias al operador.

ARMADO

⚠ ADVERTENCIA:

No intente modificar este producto ni hacer accesorios no recomendados para la misma. Cualquier alteración o modificación constituye maltrato el cual puede causar una condición peligrosa, y como consecuencia posibles lesiones corporales serias.

⚠ ADVERTENCIA:

Para evitar un arranque accidental que podría causar lesiones corporales graves, siempre desconecte el cable de la bujía del motor de la bujía misma al ensamblar las piezas.

CÓMO ACOPLAR EL MANGO

Vea la figura 2.

- Inserte el enchufe de la barra intermedia en el tomacorriente de la barra mango y presiónelos el uno contra el otro hasta que encajen por completo. El enchufe es más grande de un lado y únicamente puede instalarse en una dirección.

- Baje el casquillo de la pértiga del mango hasta la base roscada de la pértiga intermedia y gírelo a la derecha para asegurarlo.

- Repita este procedimiento para conectar la pértiga intermedia al eje de la cabezal de corte.

NOTA: Una vez que se han ensamblado correctamente la barra del mango y al eje de la cabezal de corte, no deberán separarse de la barra intermedia cuando está tirado. Repita los pasos encima si las barras se separan de la barra intermedia.

⚠ ADVERTENCIA:

No montar y trabar todas las barras como se indicó anteriormente puede hacer que las barras se separen y causar lesiones personales graves o la muerte.

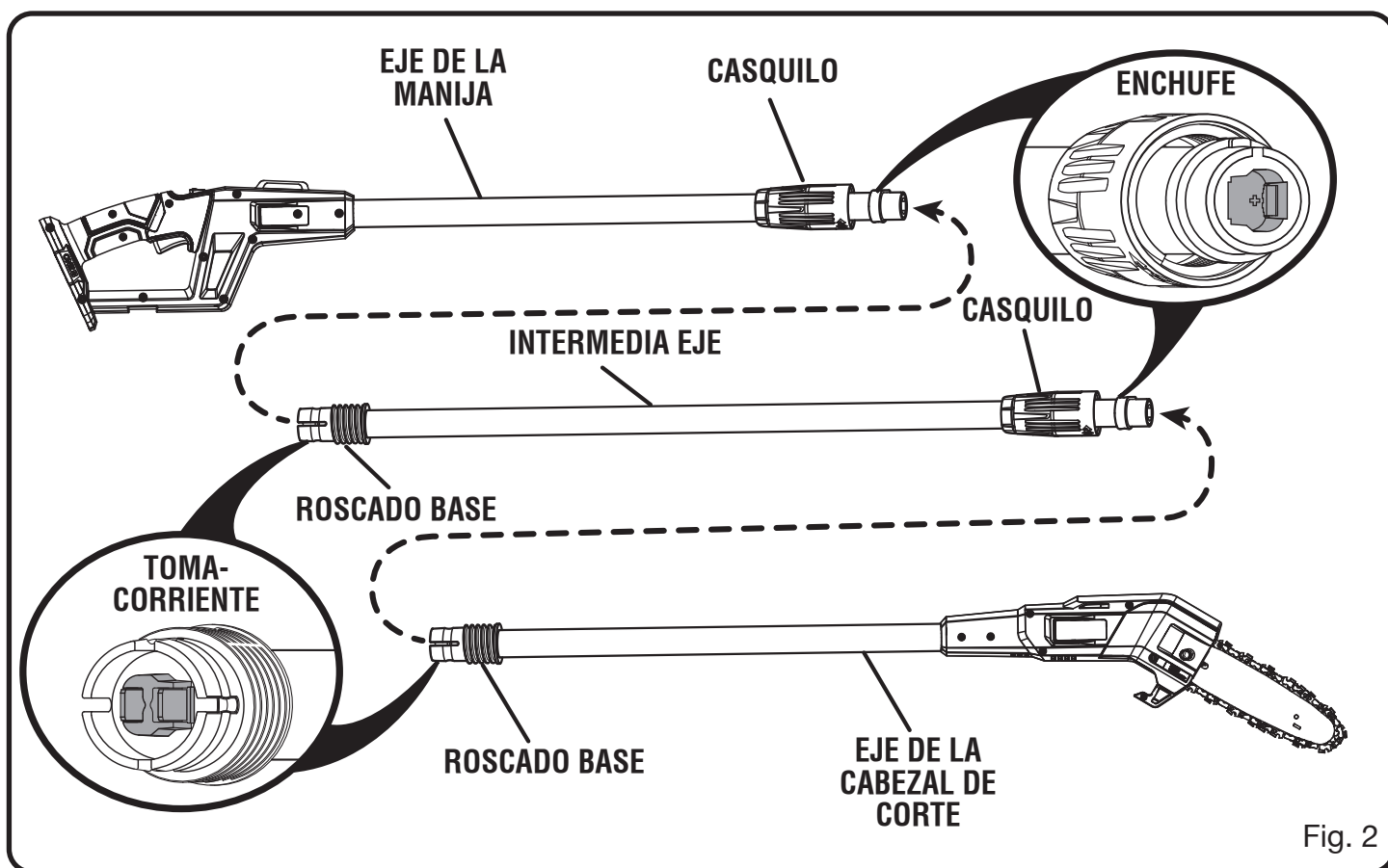


Fig. 2

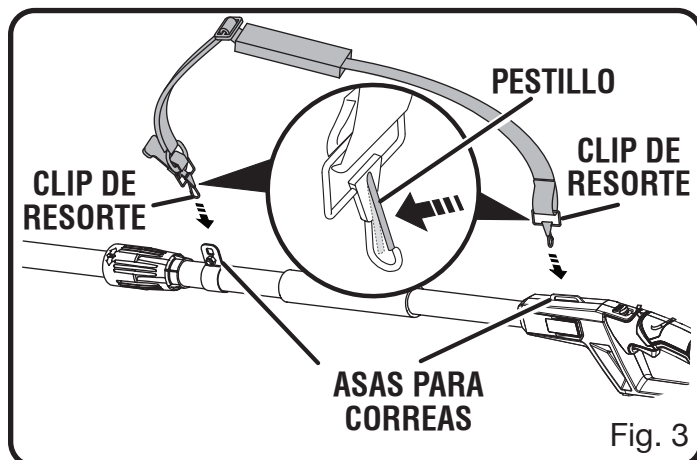
ARMADO

MONTAJE DE LA CORREA PARA EL HOMBRO DE LIBERACIÓN RÁPIDA

Vea la figura 3.

Para evitar la fatiga de espalda y hombros, use siempre la correa para el hombro de liberación rápida al operar esta herramienta. Si su espalda o hombros se adoloran, tome un descanso y luego ajuste la posición del correa.

- Mantenga oprimido el pestillo en el clip de resorte.
- Coloque el clip de resorte sobre la asa para correa y suelte el pestillo.
- Repita lo mismo con el clip de resorte restante.
- Coloque la correa para el hombro de liberación rápida sobre su hombro y ajuste para dejarla en una posición cómoda.



FUNCIONAMIENTO

⚠ PELIGRO:

Nunca couper cerca de líneas de corriente, cordón eléctrico o de otras fuentes eléctricas. Si mermeladas de barra y cadena en alguna cordón del eléctrica o líneas, ¡NO TOQUE LA BARRA NI LA CADENA! PUEDE CARGARSE DE ELECTRICIDAD Y SER MUY PELIGROSA. Continúe sujetando la eléctrica sierra de pértiga por el mango trasero, el cual está aislado, o déjela reposar lejos de usted, de alguna forma segura. Desconecte el servicio de corriente eléctrica conectado a la línea o cordón dañado antes de intentar liberar de éste(a) la hoja. Contacte con la barra, la cadena, otras partes conductivas de la eléctrica sierra de pértiga, o viven cordón eléctrico o líneas eléctricas puede producir la muerte por electrocución o lesiones serias.

⚠ ADVERTENCIA:

No permita que su familiarización con este producto le vuelva descuidado. Tenga presente que un descuido de un instante es suficiente para infligir una lesión grave.

⚠ ADVERTENCIA:

Siempre póngase protección ocular con protección lateral con la marca de cumplimiento de la norma ANSI Z87.1, así como protección para los oídos y la cabeza. La inobservancia de esta advertencia puede permitir que los objetos lanzados hacia los ojos y otros provocar lesiones graves.

⚠ ADVERTENCIA:

No utilice ningún aditamento o accesorio no recomendado por el fabricante de este producto. El empleo de aditamentos o accesorios no recomendados podría causar lesiones serias.

AVISO:

Antes de cada uso, inspeccione todo el producto para detectar partes dañadas, faltantes o sueltas, como tornillos, tuercas, pernos, tapas, etc. Apriete firmemente todos los sujetadores y las tapas y no accione este producto hasta que todas las partes faltantes o dañadas sean reemplazadas. Póngase en contacto con el servicio al cliente o con un centro de servicio autorizado para obtener ayuda.

FUNCIONAMIENTO

APLICACIONES

Este producto puede emplearse para los fines enumerado abajo:

- Desramado
- Poda

PARA DESMONTAR Y MONTAR EL PAQUETE DE BATERÍAS

Vea la figura 4.

⚠ ADVERTENCIA:

Retire siempre el paquete de baterías de la herramienta antes de instalar las piezas, realizar ajustes. Limpiarla o cuando no la utilice. Retirar el paquete de baterías evitará que la unidad se accione accidentalmente y provoque lesiones graves.

Para conectar:

- Coloque el paquete de baterías en el producto como se muestra.

⚠ ADVERTENCIA:

S'assurer que les loquets du bloc-piles son bien enclenchés et que le bloc-piles est installé et fixé correctement avant de commencer le travail. Ne pas installer et fixer correctement le bloc-piles peut provoquer la chute de ce dernier et occasionner des blessures graves.

Para el desmontaje:

Oprima los pestillos situados en ambos lados del paquete de baterías para soltar éste de la sierra de pértiga.

⚠ ADVERTENCIA:

Para evitar lesiones corporales serias, siempre desmonte de la herramienta el paquete de baterías y mantenga manos vacías del botón del seguro al llevar herramienta.

Para obtener instrucciones específicas de carga, lea el manual del operador que se incluye con el cargador y la batería.

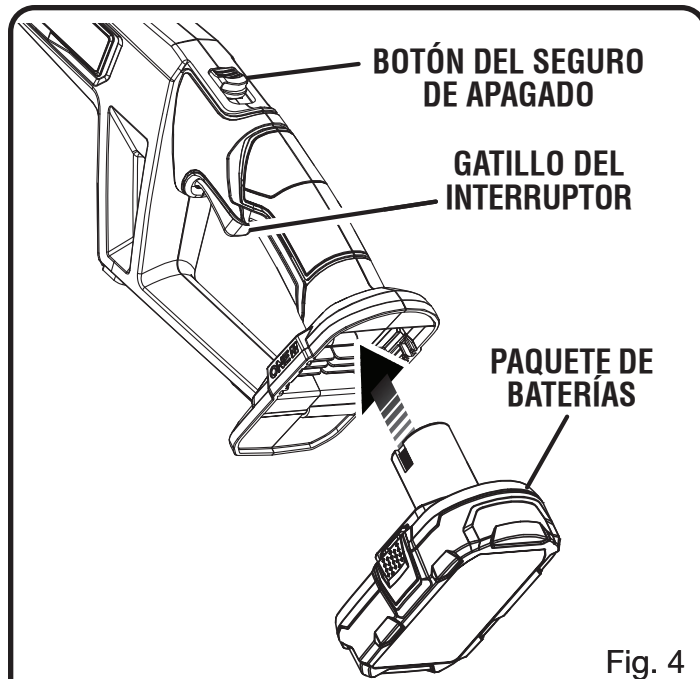


Fig. 4

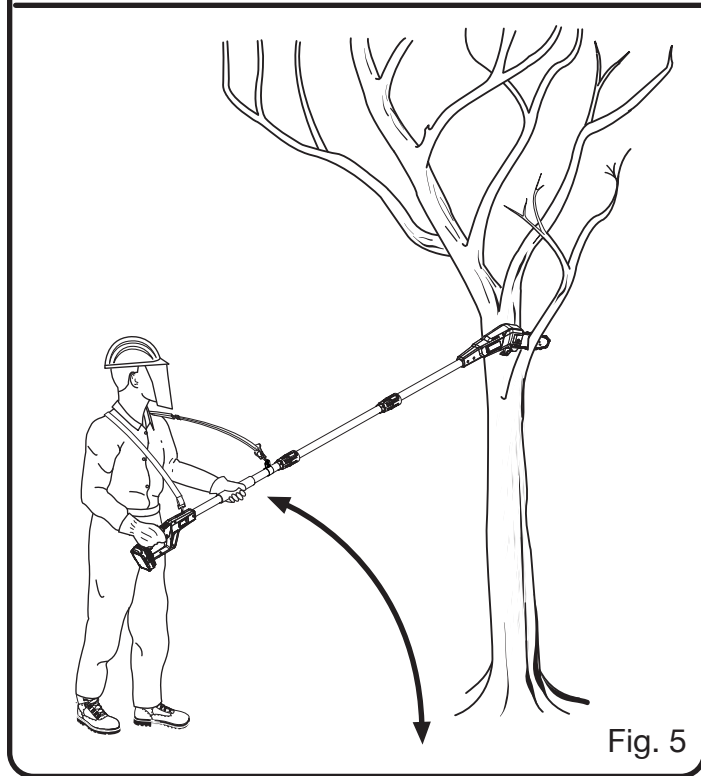


Fig. 5

ARRANQUE Y APAGADO

Vea las figuras 4 y 5.

Para arrancar el motor:

- Sujete la sierra de pértiga como se muestra y asegúrese de estar alejado de cualquier cosa que pueda tocar la hoja de corte.
- Oprima y no suelte el seguro del gatillo.
- Oprima el gatillo del interruptor.

FUNCIONAMIENTO

Apagar el motor:

- Suelte el gatillo cuando desee apagar la sierra de pértiga. Al soltar el gatillo, el seguro del gatillo regresa automáticamente a la posición de aseguramiento.

PREPARACIÓN PARA EL CORTE

Vea las figuras 6 y 7.

- Póngase guantes antideslizantes para lograr la máxima capacidad de sujeción y protección.
- Compruebe la tensión de la cadena y ajústala si es necesario. Consulte **Ajuste de la tensión de la cadena** en la sección de *Mantenimiento* de este manual.
- Mantenga una sujeción adecuada de la sierra siempre que esté funcionando el motor. Con la mano derecha sujete firmemente el mango posterior mientras sujeta firmemente el mango delantero con la izquierda.
- Sujete la sierra firmemente con ambas manos. Siempre mantenga la mano izquierda en el mango del frente y la mano derecha en el mango posterior, de manera que su cuerpo quede a la izquierda del plano de la cadena. Nunca use sujeción a zurdas (con la posición de las manos intercambiada), ni con el cuerpo en ninguna postura que pueda colocar el mismo o el brazo a través del plano de la cadena.
- Nunca se pare directamente abajo de la rama que va a cortar.
- Asegúrese de que esté bien apretada la casquilla antes de utilizar el equipo; verifique periódicamente el apriete de los mismos durante el uso para evitar lesiones graves.

PROCEDIMIENTO BÁSICO DE CORTE

Siga los pasos descritos abajo para evitar dañar la corteza del árbol o arbusto. No realice un movimiento de vaivén como en el aserrado.

- Primero efectúe un corte superficial (1/4 del diámetro de la rama) en el lado inferior de la rama, cerca de la rama progenitora o del tronco.
- Realice el segundo corte en el lado superior de la rama, por el lado exterior del primer corte con respecto al tronco. Continúe el corte a través de la rama, hasta que se separe del árbol.

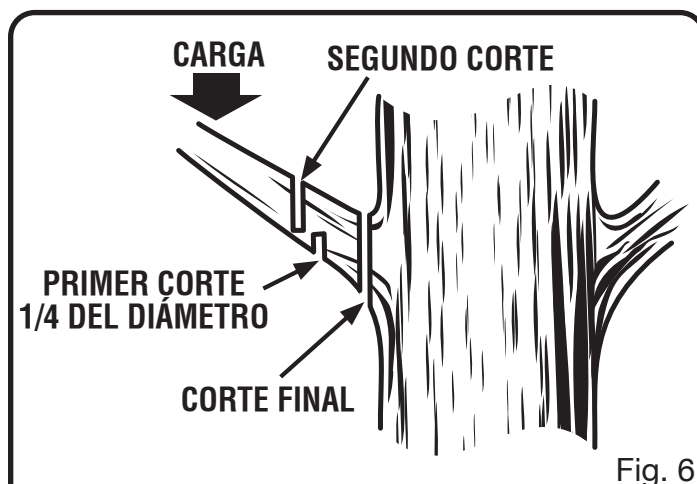


Fig. 6

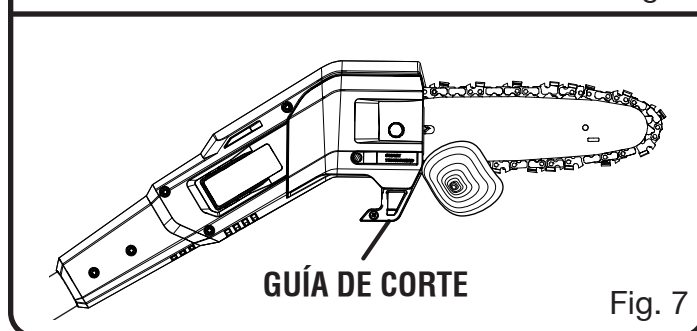


Fig. 7

Esté preparado para equilibrar el peso de la herramienta cuando se caiga la rama.

- Efectúe el corte final cerca del tronco.

NOTA: Para los cortes segundo y final (por la parte superior de la rama), sostenga la guía de corte del frente contra la rama que se está cortando. Esto ayuda a evitar que se mueva la rama y facilita el corte. Permita que la cadena efectúe el corte; sólo aplique una leve presión hacia abajo. Si fuerza el corte, puede dañarse la barra, la cadena o el motor.

- Suelte el gatillo tan pronto como se termine el corte.

Si no se sigue el procedimiento correcto de corte, la barra y la cadena se atorán y quedan pellizcadas o atrapadas en la rama. Si sucede esto:

- Apague el motor y retire el paquete de baterías.
- Si la rama se puede alcanzar desde el suelo, levante la rama mientras se sostiene la sierra. De esta manera se afloja el "pellizcamiento" y se libera la sierra.
- Si la sierra aún sigue atorada, solicite la ayuda de un profesional.

FUNCIONAMIENTO

DESRAMADO Y PODA

Veá las figuras 8 y 9.

Esta unidad se diseñó para podar pequeñas ramas hasta de 152 mm (6 pulg.) de diámetro. Para obtener mejores resultados, observe las siguientes precauciones.

- Planifique cuidadosamente el corte. Tenga en cuenta la dirección en que caerá la rama.
- Las ramas pueden caer en direcciones inesperadas. No se pare directamente bajo la rama que esté cortando.
- El corte más común es colocando la unidad a un ángulo de 60° o menos, según cada situación en particular, como se demuestra. Conforme aumenta el ángulo del brazo de la sierra con respecto al suelo, aumenta la dificultad para efectuar el primer corte (por la parte inferior de la rama).
- Corte en varias etapas las ramas largas.
- Corte primero las ramas inferiores para dar más espacio para la caída de las ramas superiores.
- Trabaje lentamente, manteniendo ambas manos en la sierra y sujetándola firmemente. Mantenga bien apoyados los pies y bien equilibrado el cuerpo.
- Mantenga el árbol entre usted y la cadena mientras realice el desramado. Corte la rama desde el lado opuesto del árbol.
- No realice tareas de corte subido en una escalera, ya que es extremadamente peligroso. Deje tal operación a los profesionales.
- No realice el corte de una rama junto a la rama o tronco de donde sale, sino hasta que haya recortado la primera para reducir el peso de la misma. Si se siguen los procedimientos de corte correctos se evita desprender la corteza del miembro progenitor.
- No utilice la sierra para tala ni para tronzar.
- Para protegerse de una posible electrocución, no trabaje a menos de 15 m (50 pies) de cables eléctricos aéreos.
- Mantenga a los circunstantes a una distancia mínima de 15 m (50 pies).

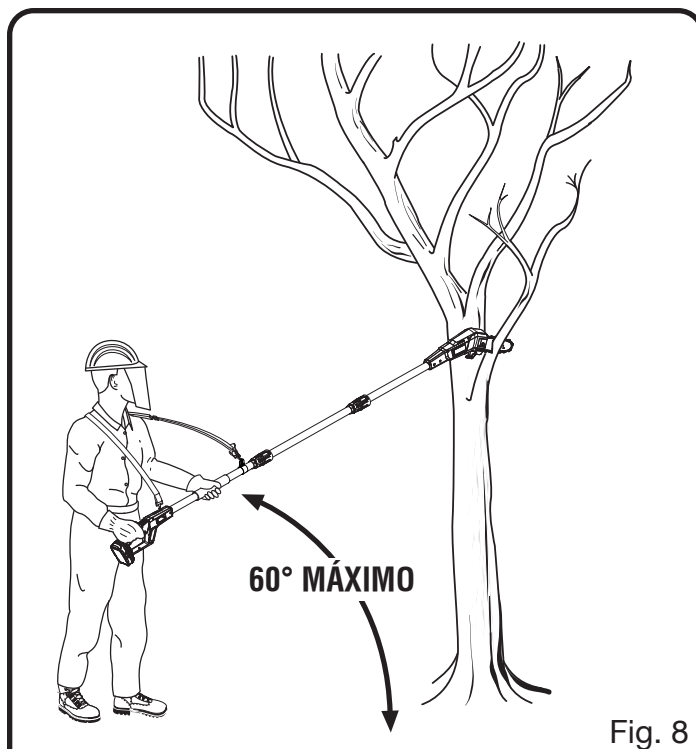


Fig. 8

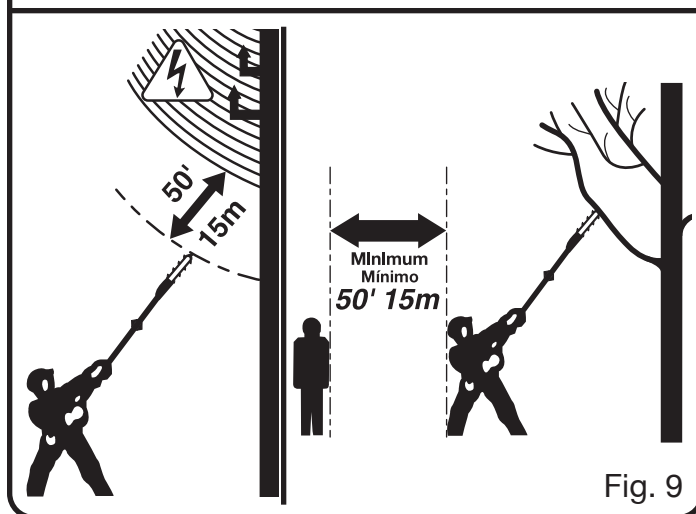


Fig. 9

MANTENIMIENTO

ADVERTENCIA:

Antes de inspeccionar, limpiar o dar servicio a la unidad, apague el motor, espere a que se detengan todas las piezas en movimiento, y retire el paquete de baterías. El incumplimiento de cualquiera de estas instrucciones puede causar lesiones serias.

ADVERTENCIA:

Siempre póngase protección ocular con protección lateral con la marca de cumplimiento de la norma ANSI Z87.1, así como protección para los oídos y la cabeza. La inobservancia de esta advertencia puede permitir que los objetos lanzados hacia los ojos y otros provocar lesiones graves.

ADVERTENCIA:

Nunca use agua ni otros líquidos para limpiar o enjuagar la product y no exponga la unidad a la lluvia ni de condiciones húmedas. Almacene la unidad en el interior en un lugar seco. Los líquidos corrosivos, el agua, y los productos químicos pueden ingresar los componentes eléctricos del producto y/o al compartimiento de la batería y dañar los componentes eléctricos o el paquete de la batería, lo que podría resultar en un corto circuito, mayor riesgo de incendio y lesiones personales graves. Retire la acumulación de suciedad y los residuos limpiando el producto con un trapo seco de manera ocasional.

ADVERTENCIA:

Al dar servicio a la unidad, sólo utilice piezas de repuesto idénticas. El empleo de piezas diferentes puede causar un peligro o dañar el producto.

AVISO:

Inspeccione periódicamente todo el producto para detectar partes dañadas, faltantes o sueltas, como tornillos, tuercas, pernos, tapas, etc. Apriete firmemente todos los sujetadores y las tapas y no accione este producto hasta que todas las partes faltantes o dañadas sean reemplazadas. Póngase en contacto con el servicio al cliente o con un centro de servicio autorizado para obtener ayuda.

MANTENIMIENTO GENERAL

Evite el empleo de solventes al limpiar piezas de plástico. La mayoría de los plásticos son susceptibles a diferentes tipos de solventes comerciales y pueden resultar dañados. Utilice paños limpios para eliminar la suciedad, el polvo, el aceite, la grasa, etc.

ADVERTENCIA:

No permita en ningún momento que fluidos para frenos, gasolina, productos a base de petróleo, aceites penetrantes, etc., lleguen a tocar las piezas de plástico. Las sustancias químicas pueden dañar, debilitar o destruir el plástico, lo cual a su vez puede producir lesiones corporales serias.

Todas las tareas de servicio de la sierra de pértiga, aparte de los puntos indicados en las instrucciones de mantenimiento del manual de instrucciones, deben ser efectuadas por técnicos de servicio de sierra de pértiga competentes. (Por ejemplo, si se utiliza la herramienta inadecuada para sostener el volante a fin de retirar el embrague, pueden causarse daños estructurales al volante, lo cual a su vez puede originar el estallido del mismo).

MANTENIMIENTO

AJUSTE DE LA TENSIÓN DE LA CADENA

Vea las figuras 10 a 13.

⚠ ADVERTENCIA:

Apague el motor, espere a que se detengan todas las piezas en movimiento, y retire el paquete de baterías. Nunca toque ni ajuste la cadena mientras está funcionando el motor. La cadena de la sierra está sumamente afilada. Siempre lleve puestos guantes protectores al efectuar labores de mantenimiento de la cadena. El incumplimiento de estas instrucciones podría causar lesiones personales de gravedad.

La tensión apropiada de la cadena es esencial para que la sierra de pértiga funcione de manera adecuada. Verifique siempre la tensión de la cadena antes de usar la sierra y periódicamente hasta completar el trabajo. La cadena debe volver a tensarse cada vez que las partes planas de los eslabones de impulsión sobresalen suspendidos de la ranura de la barra.

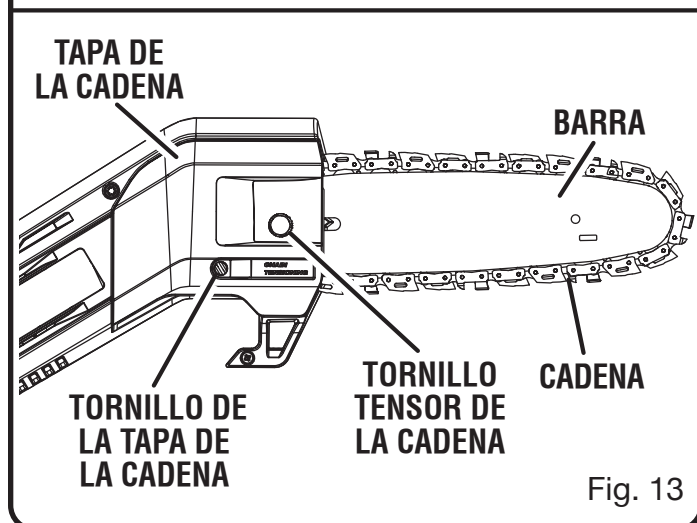
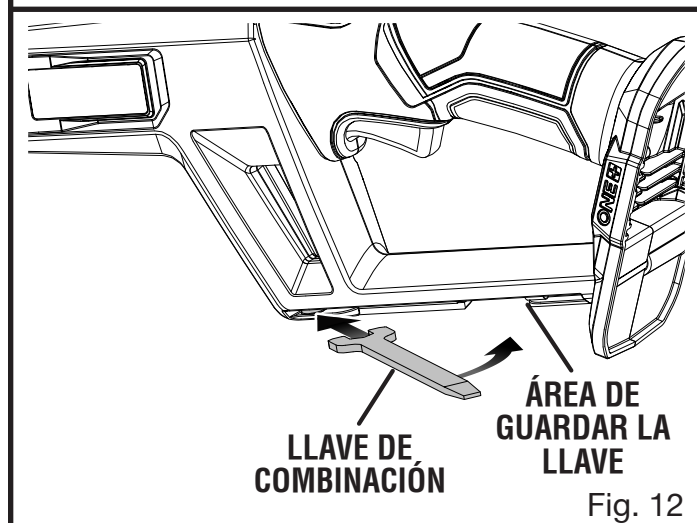
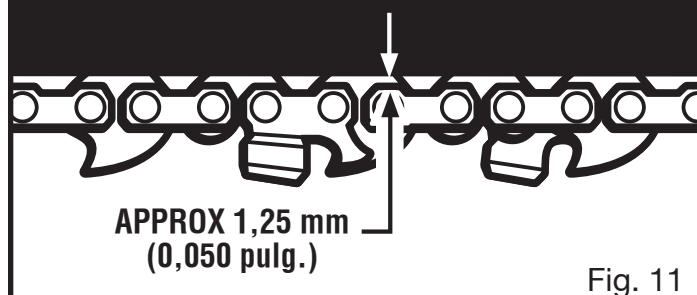
Una cadena fría está tensionada correctamente cuando no está floja en la parte inferior de la barra guía. La cadena debe estar ajustada, pero aún así puede girarse con la mano sin amarrar.

Una cadena caliente está correctamente tensionada cuando las partes planas de los amarres cuelgan a aproximadamente 1,27 mm (0,05 pulg.) de la ranura de la barra.

Si es necesario un ajuste:

- Retire la llave combinada del área de almacenamiento.
- Aflojar el tornillo de tensado de la cadena estén al punto de apriete con los dedos.
- Levante la punta de la barra guía y siga sujetando hasta el fin del procedimiento.
- Gire el tornillo de tensión de la cadena en sentido horario hasta que las partes planas de los amarres de la cadena hagan contacto con la barra, asegurándose de que los eslabones impulsores estén bien ubicados en la ranura de la barra.
- Apriete firmemente el tornillo de tensado de la cadena.
- Suelte la punta de la barra guía y verifique que la cadena ahora esté correctamente tensionada con la directrices anteriores.

NOTA: Si queda demasiado ajustada la cadena, no podrá desplazarse. Afloje levemente el tornillo de tensado de la cadena y gire 1/4 de vuelta hacia la izquierda el tornillo de ajuste de la tensión.



MANTENIMIENTO

Levante la punta de la barra guía y vuelva a apretar firmemente el tornillo de tensado de la cadena de dicha barra. Asegúrese de que la cadena se desplace sin atorarse.

NOTA: Las cadenas nuevas tienden a estirarse; revise frecuentemente la tensión de la cadena y tense ésta según se requiera.

- Vuelva a colocar la llave combinada en el área de almacenamiento.

AVISO:

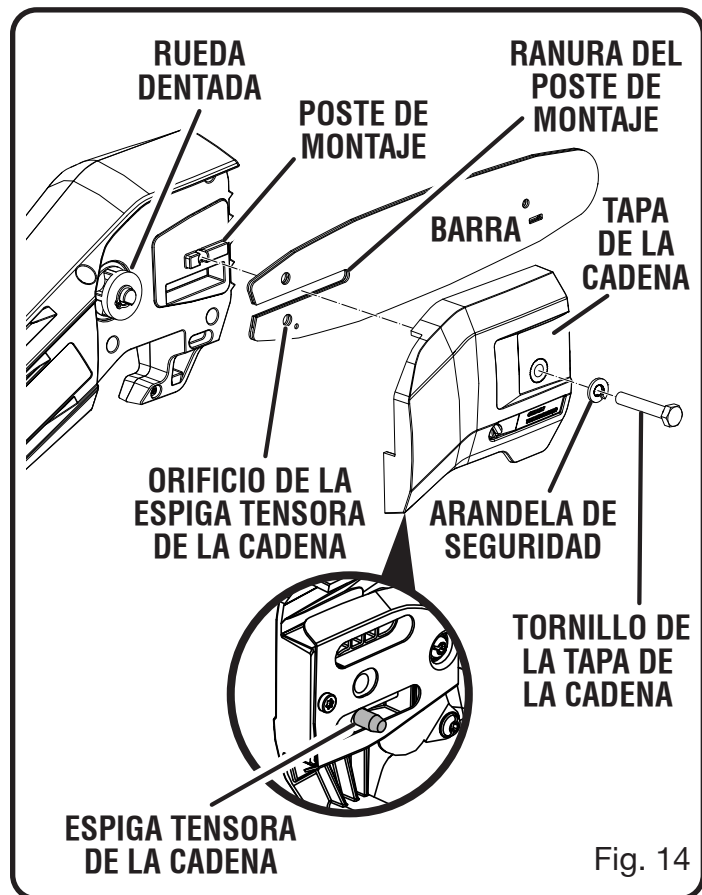
Si se tensa la cadena estando ésta caliente, puede quedar demasiado apretada al enfriarse. Revise la “tensión en frío” de la cadena, antes de usar la sierra.

REEMPLAZO LA BARRA Y CADENA

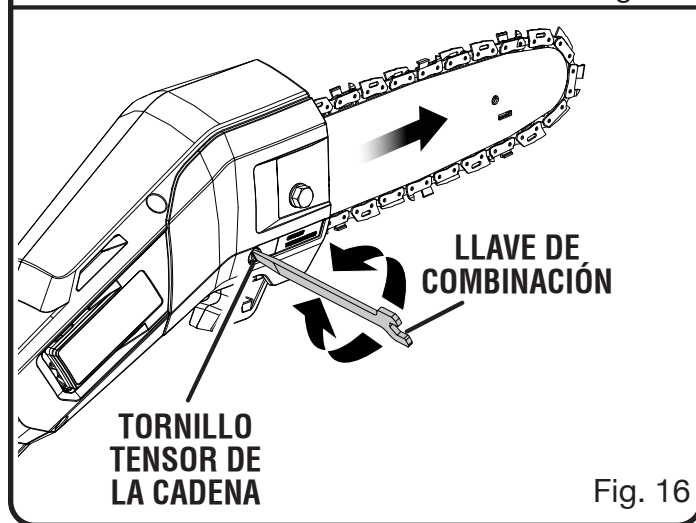
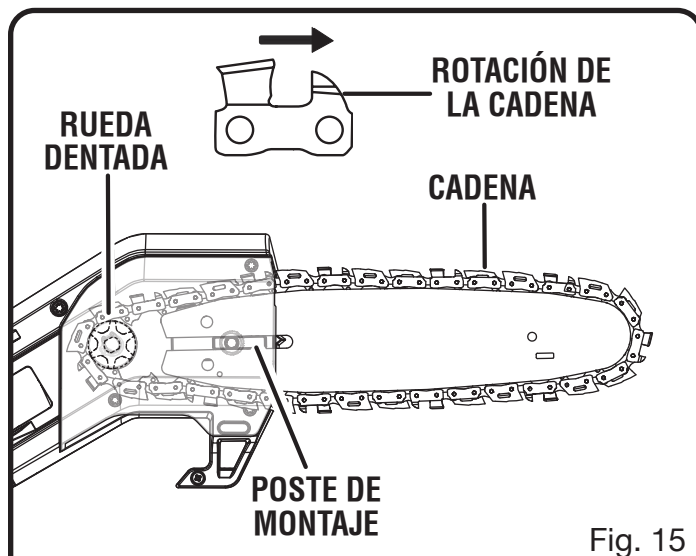
Vea las figuras 14 a 16.

⚠ ADVERTENCIA:

Para evitar posibles lesiones graves, apague el motor y retire el paquete de baterías antes cambiar la barra, la cadena o realizar cualquier operación de mantenimiento.



- Retire la llave combinada del área de almacenamiento.
- Con la llave de combinación suministrada, retire el tornillo de la tapa de la cadena y la arandela, así como dicha tapa.
- La barra contiene una ranura que encaja en el poste de montaje. La barra también tiene un orificio de la espiga tensora de la cadena que queda sobre la espiga tensora de la cadena dentro del tapa.
- Coloque la barra sobre el poste de montaje.
- Acomode la cadena sobre la rueda dentada y dentro de la ranura de la barra. Los dientes de corte situados en la parte superior de la barra deben estar orientados hacia la punta de la barra, en la dirección de rotación de la cadena.
- Vuelva a colocar la cubierta de la cadena de modo que la espiga tensora de la cadena quede dentro del orificio de la espiga tensora de la cadena en la barra.



MANTENIMIENTO

NOTA: Si es necesario, rote el tornillo de tensión de la cadena en sentido antihorario hasta que se puedan alinear el pasador y el orificio.

- Vuelva a instalar la arandela y el tornillo. Apriete sólo con la mano la tornillo. La barra debe quedar libre para moverse para el ajuste de la tensión.
- Elimine toda la holgura de la cadena girando el tornillo tensor en el sentido de las manecillas del reloj, asegurándose que la cadena asienta dentro de la ranura de la barra durante el tensionado.
- Apriete firmemente el tornillo de la tapa de la cadena.
- Vuelva a colocar la llave combinada en el área de almacenamiento

NOTA: La cadena está tensada correctamente cuando no hay holgura de la misma en la parte inferior de la barra, la cadena se siente bien ajustada en la barra, y puede avanzarse con la mano sin ningún atoramiento de aquélla.

Si queda demasiado ajustada la cadena, no podrá desplazarse. Afloje levemente la tornillo de la tapa de la cadena y gire 1/4 de vuelta hacia la izquierda el tornillo de ajuste de la tensión. Apretar firmemente la tornillo de la tapa de la cadena.

MANTENIMIENTO DE LA CADENA

Vea la figura 17.

⚠ ADVERTENCIA:

Retire el paquete de baterías y asegúrese de que se haya detenido la cadena antes de realizar cualquier labor de mantenimiento de la sierra para evitar el arranque accidental y posibles lesiones personales graves.

Para poder dar un corte liso y rápido, la cadena necesita recibir un mantenimiento adecuado. Las siguientes circunstancias indican que la cadena necesita afilarse:

- Las virutas de madera son pequeñas y polvorientas
- La cadena debe forzarse por la madera durante el corte
- La cadena corta hacia un lado

Durante el mantenimiento de la sierra considere lo siguiente:

- Un ángulo incorrecto de limadura de la placa lateral puede aumentar el riesgo de un contragolpe violento.

ESPACIO LIBRE DE LOS DIENTES LIMPIADORES (CALIBRES DE PROFUNDIDAD)



0,6 mm
(0,025 pulg.)

Fig. 17

PARTES DE UN DIENTE DE CORTE

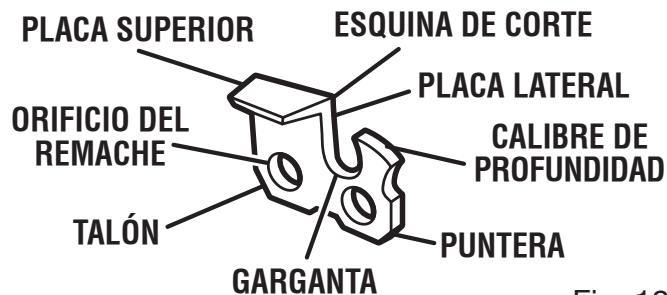


Fig. 18

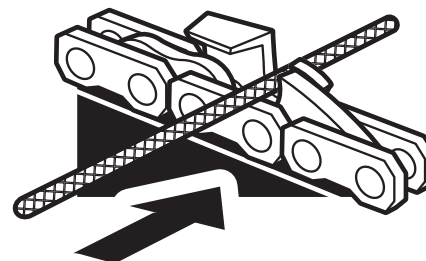


Fig. 19

- El ajuste de la profundidad determina la profundidad a la que el diente de corte entra en la madera y el tamaño de la viruta de madera que se quita. Demasiado claro aumenta el peligro de contragolpe. Muy poco claro disminuye el tamaño de los pedazos de madera, disminuyendo la habilidad de corte de la cadena.
- Si los dientes de corte han tocado objetos duros como clavos y piedras, o han sido desgastados por el lodo o la arena presentes en la madera, permita que afilen la cadena en un establecimiento de servicio apropiado para la tarea.

FORMA DE AFILAR LOS DIENTES DE CORTE

Vea las figuras 18 a 21.

Tenga cuidado de afilar todos los dientes de corte a los ángulos especificados y a la misma longitud, ya que sólo puede lograrse un corte rápido cuando están uniformes todos los dientes de corte.

MANTENIMIENTO

⚠ ADVERTENCIA:

La cadena de la sierra está sumamente afilada; siempre póngase guantes protectores al efectuar labores de mantenimiento de la cadena para evitar lesiones personales graves.

- Tense adecuadamente la cadena antes de afilarla. Consulte el apartado **Ajuste de la tensión de la cadena**, más arriba en este manual. Efectúe toda la limadura en el punto medio de la barra.
- Use una lima redonda de 5/32 pulg. de diámetro con mango.
- Mantenga la lima al nivel de la placa superior de los dientes de corte. No permita que la lima se incline ni se balancee.
- Con presión leve pero firme, pase la lima por el diente, hacia la esquina delantera del mismo. Levante la lima para separarla del acero en cada movimiento de regreso.
- Dé unas pocas pasadas firmes a cada diente de corte. Lime todos los dientes de corte izquierdos en una dirección. Después lleve la lima al otro lado y lime los dientes de corte derechos en la dirección opuesta. Ocasionalmente, con un cepillo de alambre limpie las limaduras producidas por la lima.

⚠ ADVERTENCIA:

Un afilado inadecuado de la cadena aumenta el peligro de contragolpe, lo que podría resultar en lesiones personales graves.

⚠ ADVERTENCIA:

Si no se cambia o se repara la cadena cuando está dañada, puede causar lesiones serias.

AVISO:

Si la cadena está desafilada o mal afilada, durante el corte puede causar una velocidad excesiva del motor, lo cual puede dañarlo.

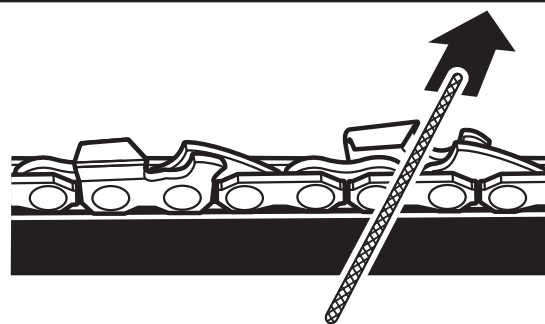


Fig. 20

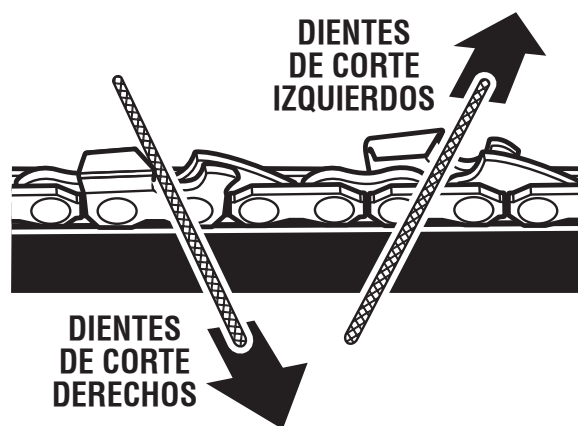


Fig. 21

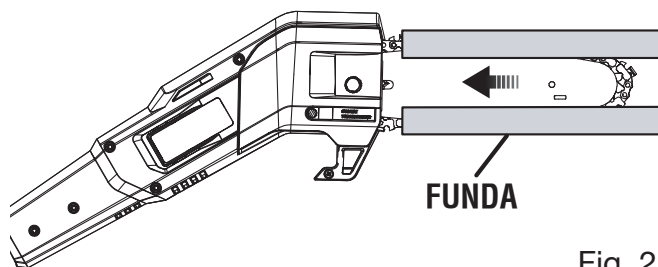


Fig. 22

ALMACENAMIENTO DE LA PRODUCTO

Vea la figura 22.

⚠ ADVERTENCIA:

Retire siempre el paquete de baterías antes de transportar o guardar la motosierra. Coloque el paquete de baterías en interiores, en un lugar seco y seguro, fuera del alcance de niños cuando lo guarde. Si no sigue estas instrucciones, la unidad podría encenderse accidentalmente o podrían usarla sin autorización, lo que podría ocasionar lesiones personales graves.

MANTENIMIENTO

- Limpie todo material extraño de la producto. Almacene la unidad en un espacio bien ventilado inaccesible a los niños. Evite que la unidad entre en contacto con agentes corrosivos como las sustancias químicas para el jardín y las sales para derretir el hielo.
- Siempre coloque la funda en la barra cuando transporte o guarde la sierra. La funda queda apretada y se debe colocar cuidadosamente debido a los dientes filosos de la cadena de

la sierra. Esto se hace mejor sujetando la funda de un extremo y de su parte central, y colocarla cuidadosamente con un movimiento de deslizamiento en la cadena, como se demuestra. Tenga precaución y evite tocar los afilados dientes de la cadena.

NOTA: La cadena de la sierra está sumamente afilada. Siempre póngase guantes protectores al manejar de la cadena.

SOLUCIÓN DE PROBLEMAS

PROBLEMA	CAUSA	SOLUCIÓN
La barra y la cadena están muy calientes y despiden humo.	Revise la tensión de la cadena para ver si es excesiva.	Tensión de la cadena. Consulte el apartado Ajuste de la tensión de la cadena , más arriba en este manual.
El motor funciona pero la cadena no avanza.	Demasiada tensión en la cadena. Revise el conjunto de la barra guía y la cadena. Revise la barra guía y la cadena para ver si están dañadas.	Vuelva a tensar la cadena. Consulte el apartado Ajuste de la tensión de la cadena , más arriba en este manual. Consulte la sección Reemplazo la barra y cadena más arriba en este manual. Inspeccione la barra guía y la cadena para ver si están dañados.

Este producto tiene una garantía limitada de tres años para fines personales, familiares o domésticos (90 días para usos trabajo o comercial). Para obtener detalles sobre la garantía, diríjase a www.ryobitools.com o llame sin cargo al 1-800-860-4050.



OPERATOR'S MANUAL
MANUEL D'UTILISATION / MANUAL DEL OPERADOR
18 VOLT POLE SAW
SCIE DE MANCHE 18 V
SIERRA DE PÉRTIGA DE 18 V
P2501

• **PARTS AND SERVICE:** Prior to requesting service or purchasing replacement parts, please obtain your item, manufacturing, and serial numbers from the product data plate.

ITEM NO.* _____ **MANUFACTURING NO.** _____
SERIAL NO. _____

** Model/item number on product may have additional letters at the end. These letters designate manufacturing information and should be provided when calling for service.*

HOW TO OBTAIN REPLACEMENT PARTS: Replacement parts can be purchased online at www.ryobitools.com or by calling 1-800-860-4050. Replacement parts can also be obtained at one of our service centers.

HOW TO LOCATE A SERVICE CENTER: Service centers can be located online at www.ryobitools.com or by calling 1-800-860-4050.

HOW TO OBTAIN CUSTOMER OR TECHNICAL SUPPORT: To obtain customer or technical support please contact us at 1-800-860-4050.

RYOBI is a registered trademark of Ryobi Limited and is used pursuant to a license granted by Ryobi Limited.

• **PIÈCES ET SERVICE :** Avant de faire la demande de service ou l'achat de pièces de remplacement, veuillez obtenir le numéro d'article, le numéro de fabrication et le numéro de série à partir de la plaque de données du produit.

NUMÉRO D'ARTICLE* _____ **NUMÉRO DE FABRICATION** _____
NUMÉRO DE SÉRIE _____

** Le numéro de modèle/article sur le produit peut contenir des lettres supplémentaires à la fin. Ces lettres désignent les informations du fabricant et doivent être fournies lors d'un appel de demande de service.*

COMMENT OBTENIR LES PIÈCES DE REMPLACEMENT : Les pièces de remplacement peuvent être achetées en ligne sur le site www.ryobitools.com ou par téléphone au 1-800-860-4050. Les pièces de remplacement peuvent être obtenues à un de nos centres de service.

COMMENT TROUVER UN CENTRE DE SERVICE : Les centres de service peuvent être localisés en ligne au www.ryobitools.com ou en téléphonant au 1-800-860-4050.

COMMENT OBTENIR DE L'AIDE EN CONTACTANT LE SERVICE À LA CLIENTÈLE : Pour contacter le service à la clientèle pour une question technique ou pour tout autre renseignement, veuillez nous téléphoner au 1-800-860-4050.

RYOBI est une marque déposée de Ryobi Limited et est utilisée en vertu d'une licence accordée par Ryobi Limited.

• **PIEZAS DE REPUESTO Y SERVICIO:** Antes de solicitar servicio técnico o comprar piezas de repuesto, obtenga su número de artículo, el número de fabricación y el número de serie de la placa de datos del producto.

NÚMERO DE ARTÍCULO* _____ **NÚMERO DE FABRICACIÓN** _____
NÚMERO DE SERIE _____

** El número de modelo/artículo que figura en el producto podría tener letras adicionales al final. Estas designan información de fabricación y deben suministrarse cuando llame para obtener asistencia o servicio.*

CÓMO OBTENER PIEZAS DE REPUESTO: Las piezas de repuesto se pueden comprar en nuestro sitio en la red mundial, en la dirección www.ryobitools.com o llamando al 1-800-860-4050. Las piezas de repuesto también se pueden obtener en uno de nuestros centros de servicio.

CÓMO LOCALIZAR UN CENTRO DE SERVICIO: Puede encontrar los centros de servicio visitando nuestro sitio en la red mundial, en la dirección www.ryobitools.com or by calling 1-800-860-4050.

CÓMO OBTENER SERVICIO O ASISTENCIA TÉCNICA AL CONSUMIDOR: Para obtener servicio o asistencia técnica al consumidor, sírvase comunicarse con nosotros llamando al 1-800-860-4050.

RYOBI es una marca registrada de Ryobi Limited y se utiliza conforme a una licencia otorgada por Ryobi Limited.

TECHTRONIC INDUSTRIES POWER EQUIPMENT

P.O. Box 1288, Anderson, SC 29622 USA
1-800-860-4050 • www.ryobitools.com

998000281
6-26-20 (REV:01)