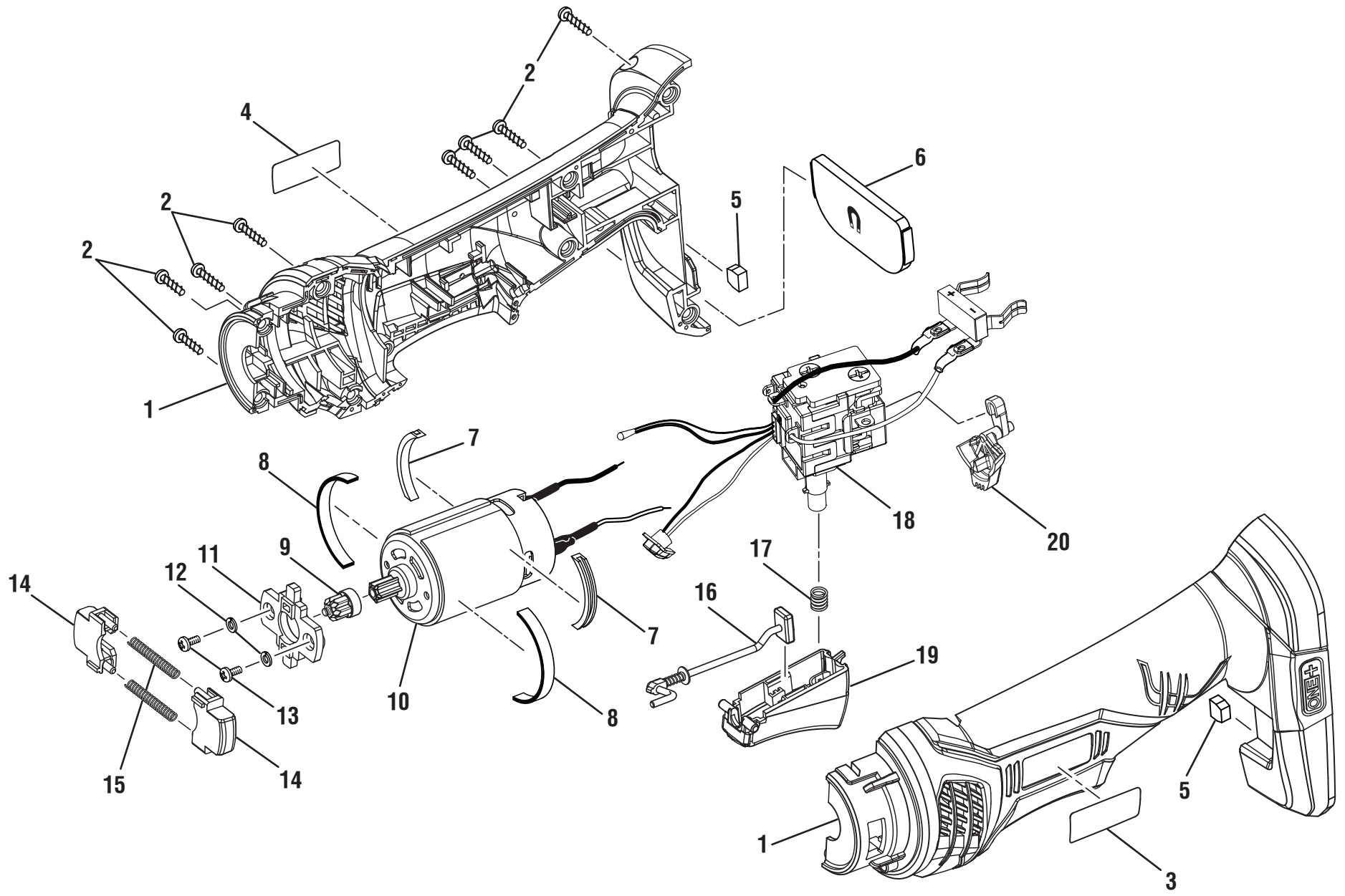


**RYOBI  
P246 18 VOLT  
JOBPLUS™ POWER HANDLE  
REPAIR SHEET**

RYOBI 18 VOLT POWER HANDLE- MODEL NUMBER P246



**RYOBI 18 VOLT POWER HANDLE- MODEL NUMBER P246**

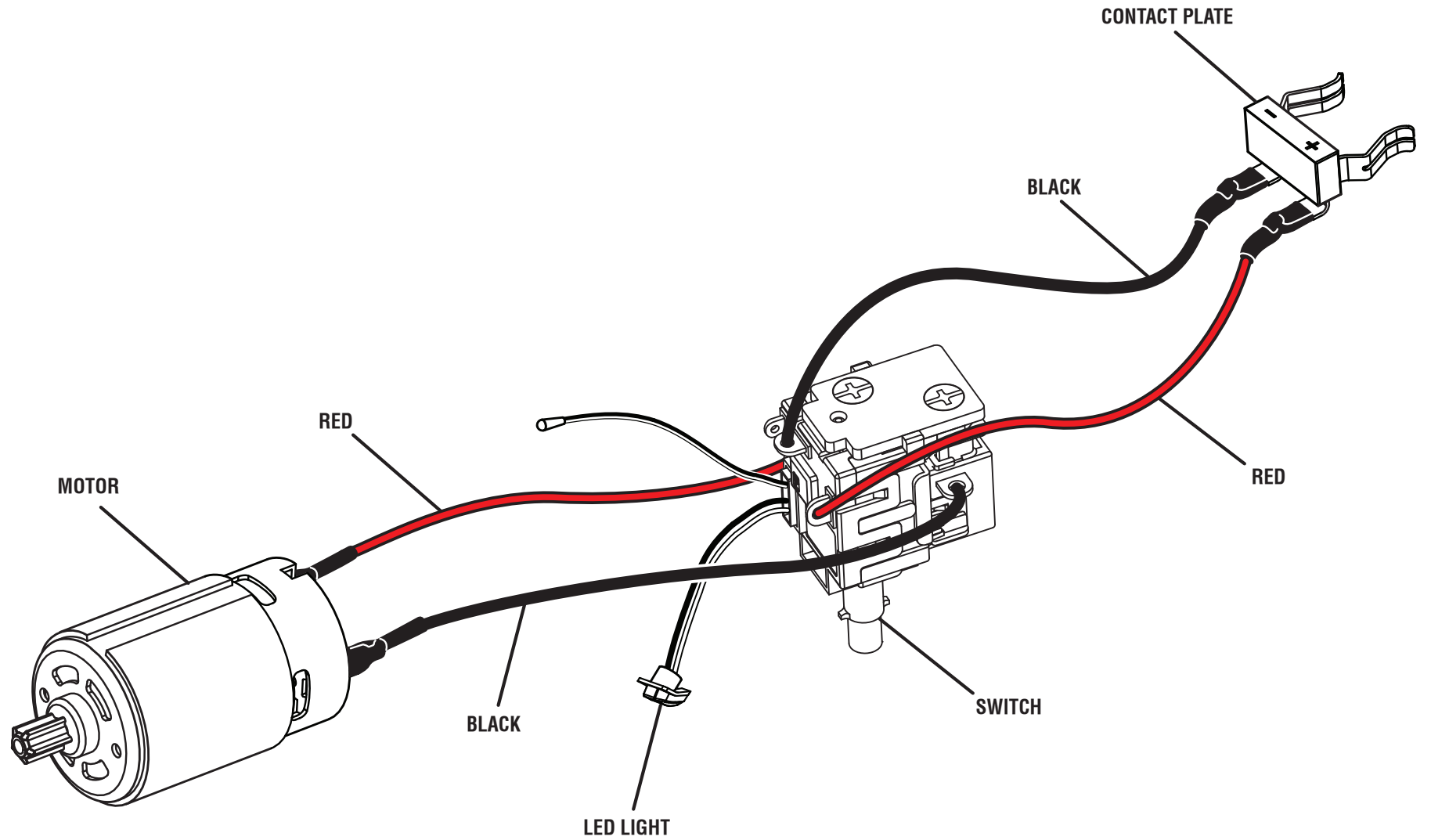
The model number will be found on a label attached to the motor housing. Always mention the model number in all correspondence regarding your **POWER HANDLE** or when ordering repair parts.

**PARTS LIST**

| <b>Key No.</b> | <b>Part Number</b> | <b>Description</b>                         | <b>Qty</b> | <b>Key No.</b>    | <b>Part Number</b> | <b>Description</b>                             | <b>Qty</b> |
|----------------|--------------------|--|------------|-------------------|--------------------|--|------------|
| 1              | 201469020          | Handle Housing Assembly (See Note A) ..... | 1          | 13                | 660211006          | Screw (M3 x 6 mm, Pan Hd.).....                | 2          |
| 2              | 660815002          | Screw (M3.5 x 13.5 mm, T10 Torx).....      | 8          | 14                | 520483001          | Release Button .....                           | 2          |
| 3              | 940114191          | Logo Label.....                            | 1          | 15                | 692526001          | Compression Spring.....                        | 2          |
| 4              | 940488315          | Data Label.....                            | 1          | 16                | 304676001          | Switch Trigger Stop Assembly .....             | 1          |
| 5              | 562801001          | Rubber Plug.....                           | 2          | 17                | 692450001          | Compression Spring.....                        | 1          |
| 6              | 303001045          | Magnet Assembly .....                      | 1          | 18                | 270015319          | Switch w/Circuit Board Assembly (See Note A) . | 1          |
| 7              | 562822001          | Motor Cushion (B).....                     | 2          | 19                | 523631001          | Switch Trigger.....                            | 1          |
| 8              | 562821002          | Motor Cushion (A).....                     | 2          | 20                | 523630001          | Forward/Reverse Button.....                    | 1          |
| 9              | 562408002          | Gear Cap .....                             | 1          | <b>Not Shown:</b> |                    |  |            |
| 10             | 230381001          | Motor Assembly.....                        | 1          | 941001047         | Attachment Label   |  |            |
| 11             | 520485001          | Motor Mount.....                           | 1          | 988000580         | Operator's Manual  |  |            |
| 12             | 670028003          | Spring Washer (OD5.7 x ID3.1 x .8t).....   | 2          | 8-30-16           |                    |  |            |
|                |                    |  |            | (Rev:04)          |                    |  |            |

**Note A:** When ordering either Key 1 or Key 18, both items must be ordered together.

RYOBI 18 VOLT POWER HANDLE- MODEL NUMBER P246



WIRING DIAGRAM