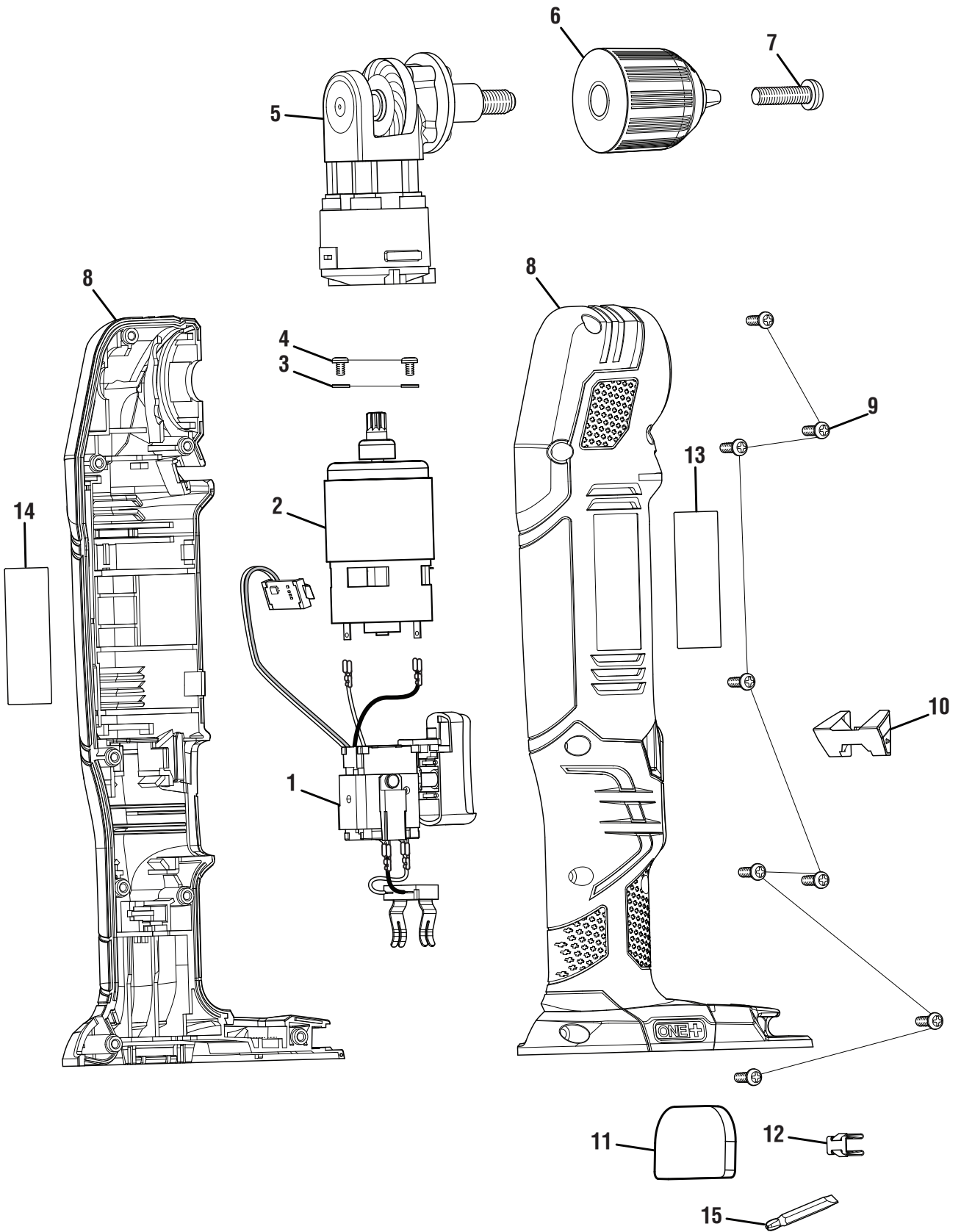


RYOBI
18 VOLT RIGHT ANGLE DRILL
MODEL NO. P241
REPAIR SHEET

RYOBI 18V RIGHT ANGLE DRILL - MODEL NUMBER P241



RYOBI 18V RIGHT ANGLE DRILL – MODEL NUMBER P241

The model number will be found on a label attached to the motor housing. Always mention the model number in all correspondence regarding your **RIGHT ANGLE DRILL** or when ordering repair parts.

PARTS LIST

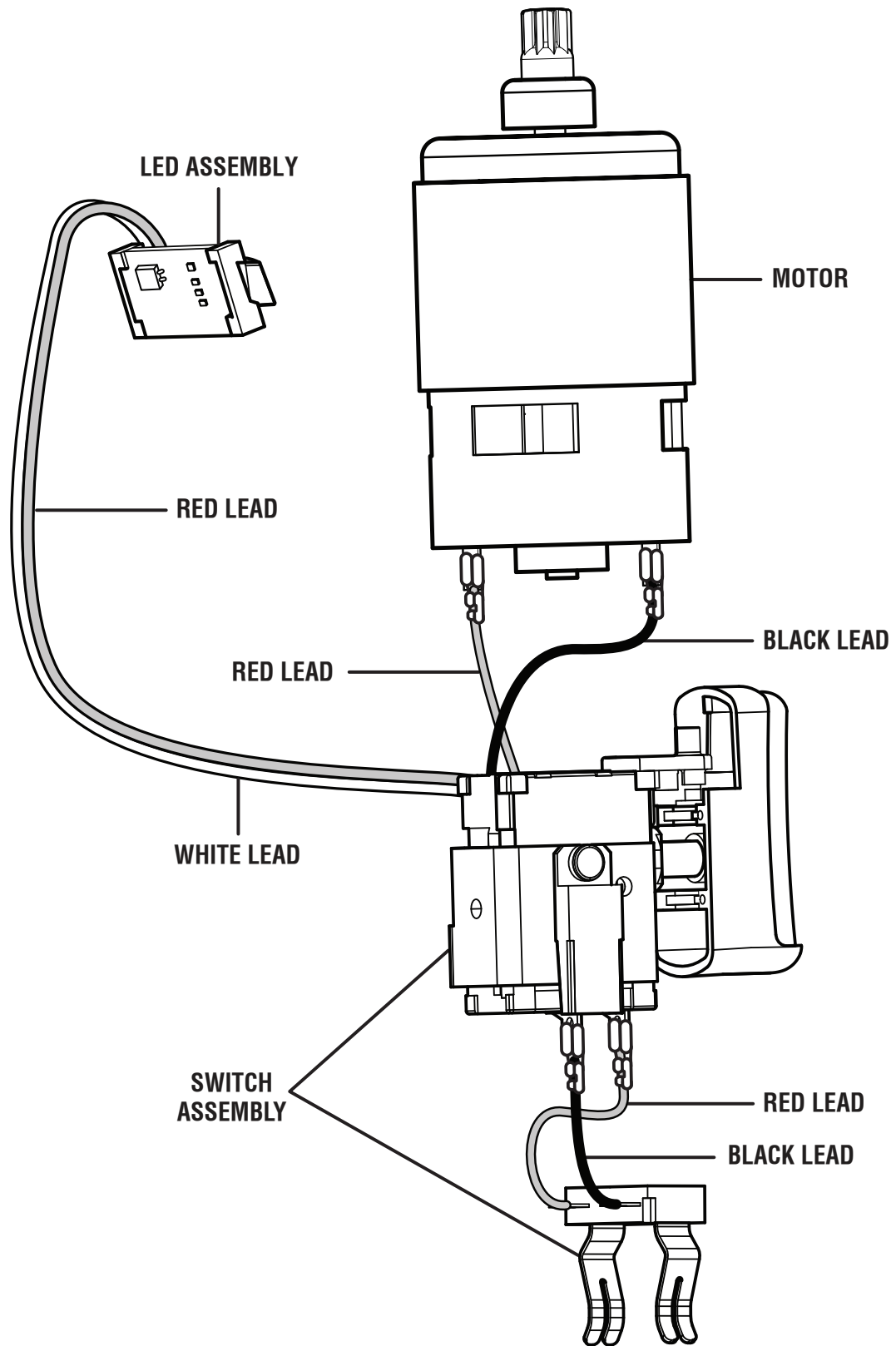
| KEY NO. | PART NUMBER | DESCRIPTION | QTY. |
|------------|----------------|---|------|
| 1 | 270016164 | Switch Assembly | 1 |
| 2 | 230385001 | Motor Assembly..... | 1 |
| 3 | 670030004 | Spring Washer (OD7.2 x ID4.1 x 1t)..... | 2 |
| 4 | 6621202 | Screw (M4 x 10 mm)..... | 2 |
| 5 | 220170001 | Gear Box Assembly | 1 |
| 6 | 670756002 | Keyless Chuck | 1 |
| 7 | 6612003 | Screw (M5 x 18.5 mm)..... | 1 |
| 8 | 200202554 | Housing Assembly | 1 |
| 9 | 660024049 | Screw (M4 x 16 mm)..... | 8 |
| 10 | 523323001 | Direction of Rotation Selector..... | 1 |
| 11 | 303001015 | Magnet Assembly | 1 |
| 12 | 6320601 | Bit Clip | 1 |
| 13 | 940488347 | Data Label..... | 1 |
| 14 | 940304497 | Logo Label | 1 |
| 15 | 6782045 | Double Ended Bit..... | 1 |

Not Shown:

988000685 Operator's Manual (961067751)

8-9-11
(Rev:01)

RYOBI 18V RIGHT ANGLE DRILL - MODEL NUMBER P241



WIRING DIAGRAM