

# REPAIR SHEET

BRAND

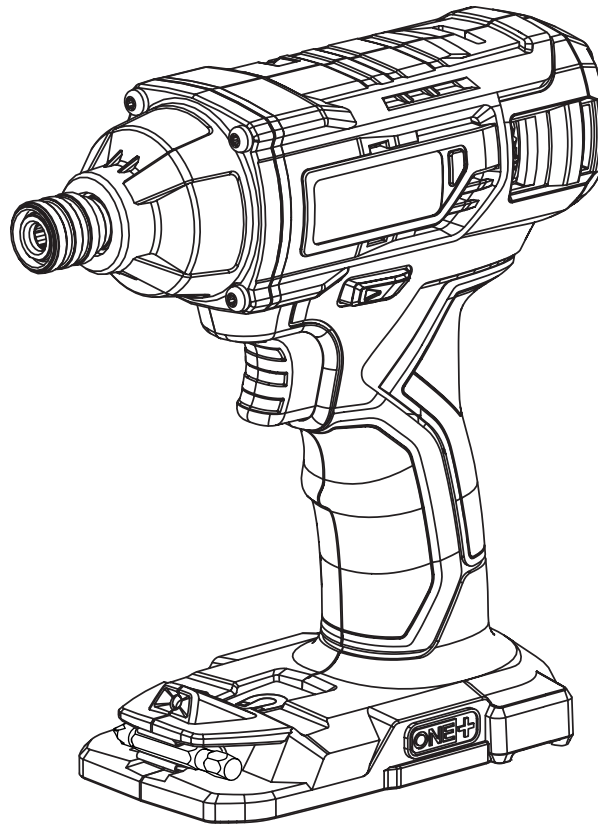
**RYOBI**

DESCRIPTION

**18 Volt Impact Driver**

MODEL NO.

**P235A**

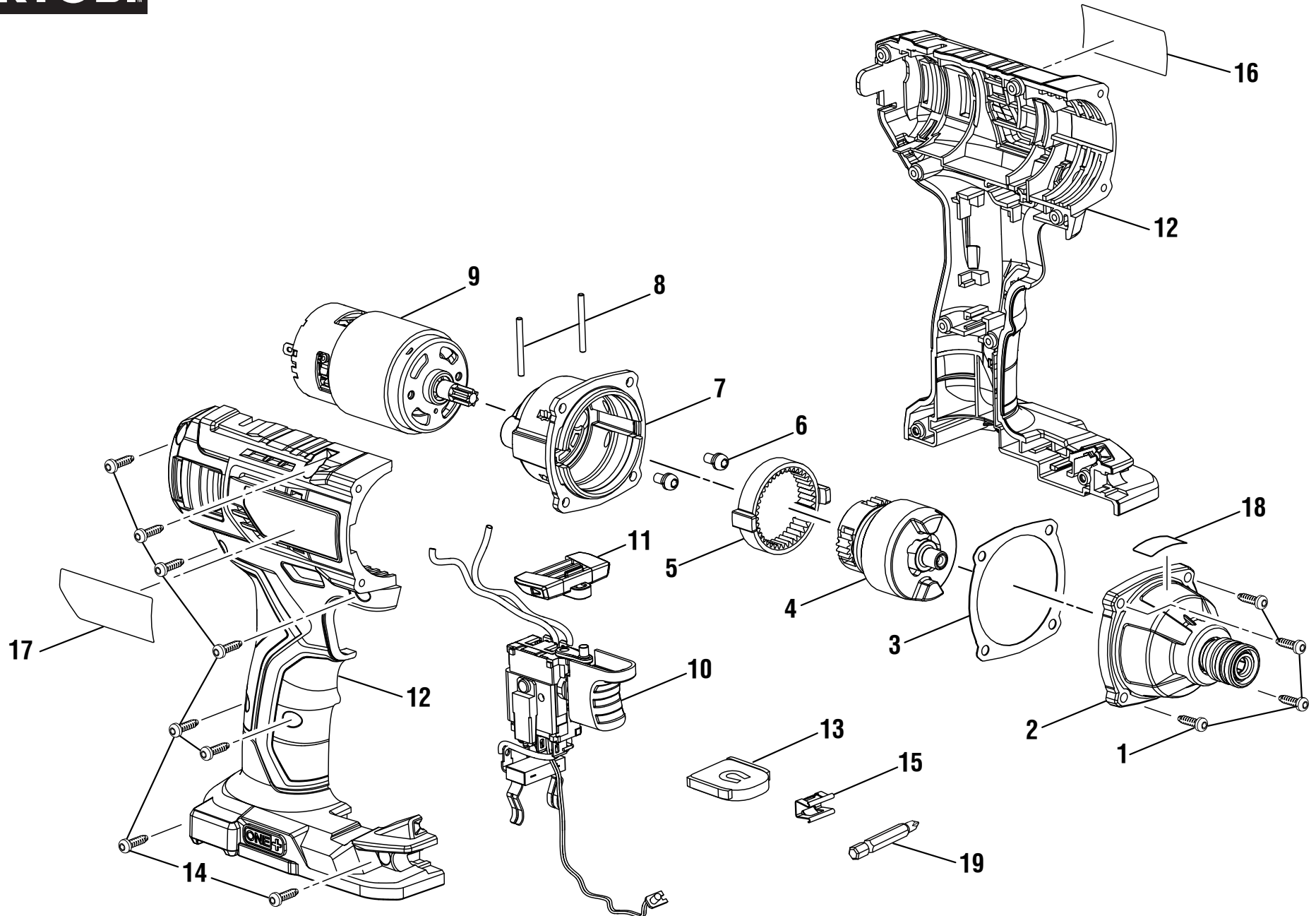


**ONE WORLD TECHNOLOGIES, INC.**

P.O. Box 1288, Anderson, SC 29622 ■ 1-800-525-2579 ■ [www.ryobitools.com](http://www.ryobitools.com)

6-17-21 (Rev:02)

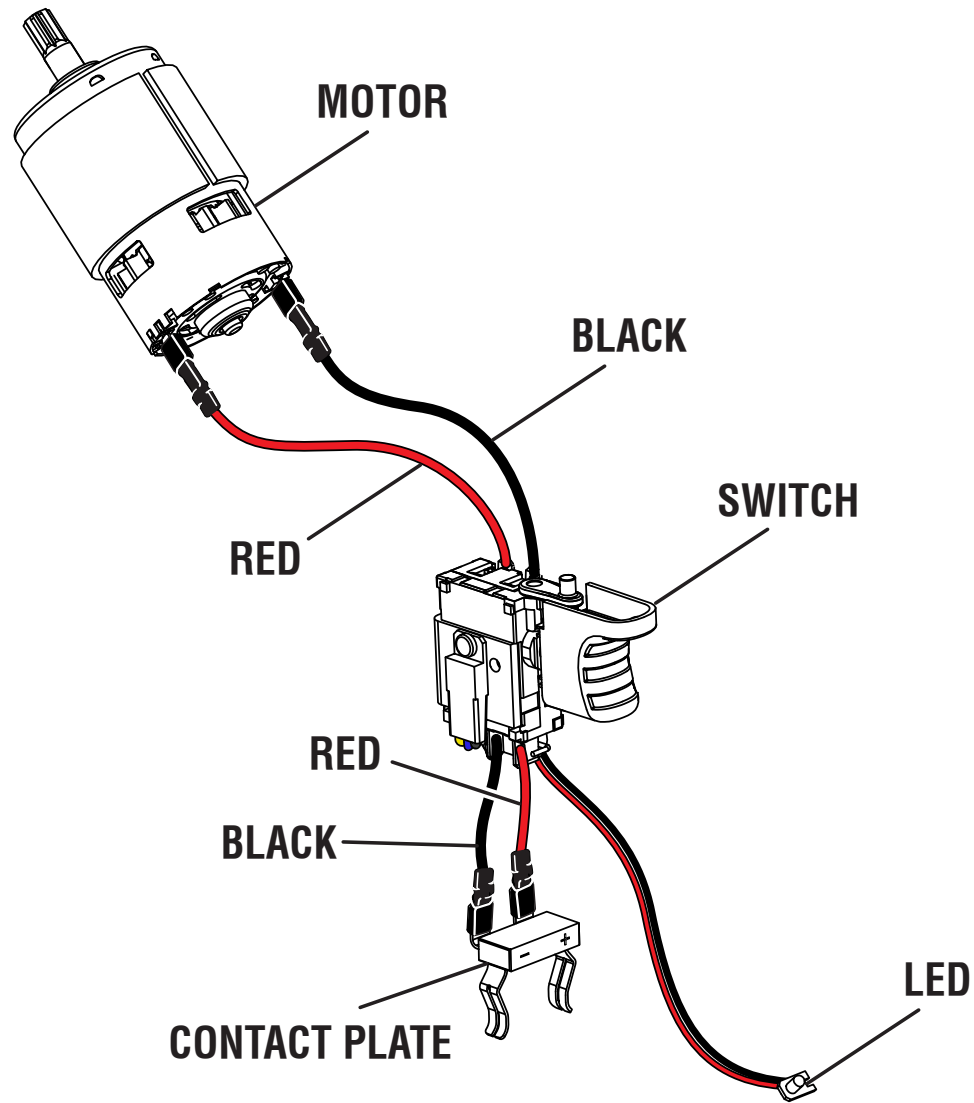
*The model number and manufacturing location will be found on a label attached to the product. Always mention this information in all communications regarding this product and when ordering parts.*



**PARTS LIST**

KEY NO.	PART NO.	DESCRIPTION	QTY.
1	660436005	Screw (M4 x 25.4 mm, T-20 Torx, Pan Hd.)	4
2-CN	203032005	Gear Case and Sleeve Bearing Assembly (Inc. Key No. 18)	1
2-VN	203032014	Gear Case and Sleeve Bearing Assembly (Inc. Key No. 18)	1
3	903748001	Gasket	1
4	203032003	Cam Shaft and Hammer Assembly	1
5	610449039	Ring Gear	1
6	662895001	Screw w/Spring Washer (M4 x 7 mm, T20 Torx Pan Hd.)	2
7	306997002	Inner Case Assembly	1
8	680334036	Pin	2
9-CN	206032002	Motor w/Pinion Assembly	1
9-VN	206032004	Motor w/Pinion Assembly	1
10	203032004	Contact Plate and Switch Assembly	1
11	538409001	Forward/Reverse Selector	1

KEY NO.	PART NO.	DESCRIPTION	QTY.
12-CN	203032002	Housing Assembly (Inc. Key Nos. 16-17)	1
12-VN	203032013	Housing Assembly (Inc. Key Nos. 16-17)	1
13	303001052	Magnet and Foam Rubber Assembly	1
14	660031017	Screw (M3.5 x 16 mm, T10 Torx Pan Hd.)	8
15	630206007	Bit Clip	1
16	941655039	Logo Label	1
17-CN	941122259	Data Label	1
17-VN	941122657	Data Label	1
18	941120374	Hot Surface Warning Label	1
19	670802034	Bit	1
	<b>Not Shown:</b>		
	995000841	Operator's Manual (CN – 961153041) (VN – 961153122)	



**WIRING DIAGRAM**