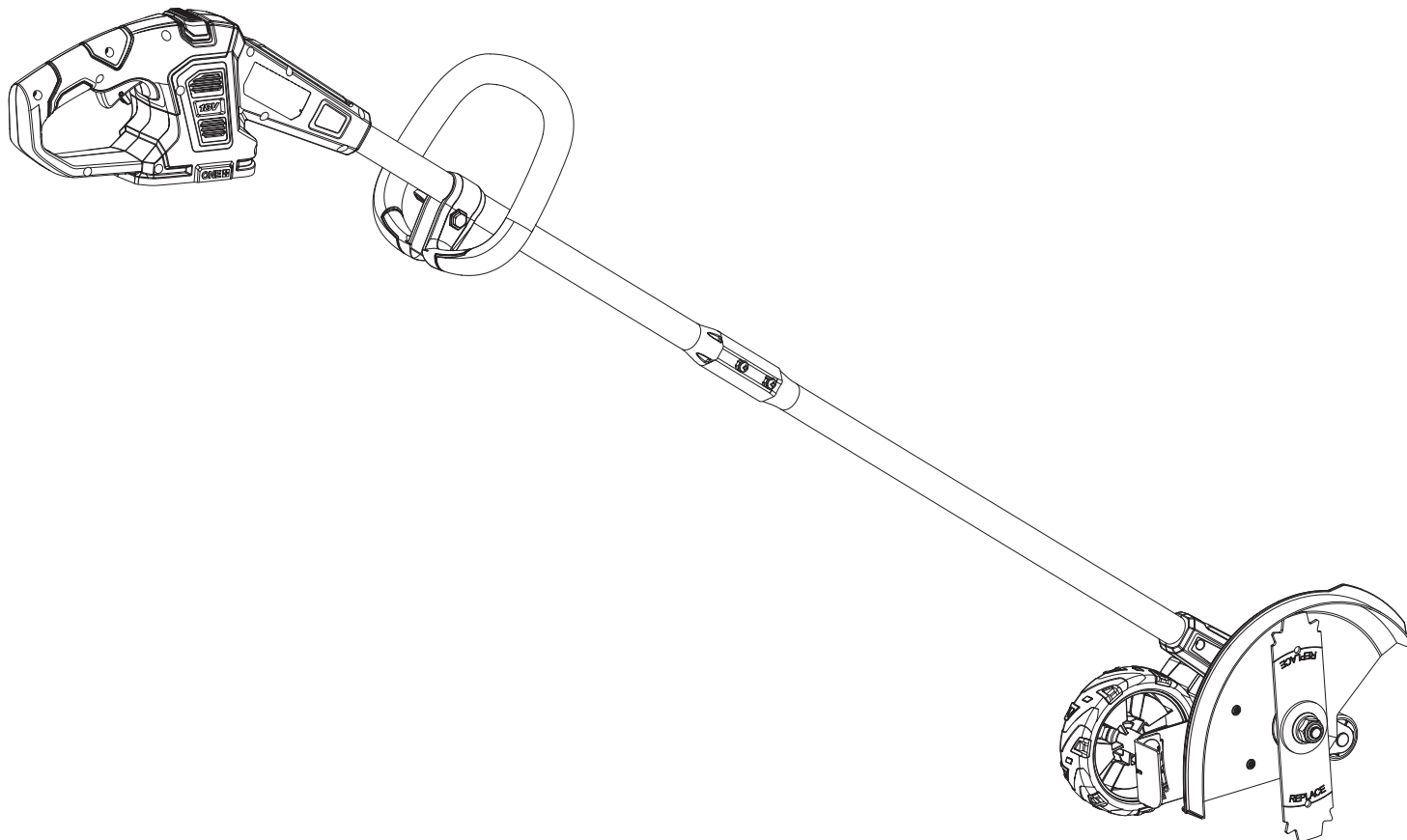


# REPAIR SHEET

BRAND <b>RYOBI</b>		DESCRIPTION <b>18 Volt Brushless Stick Edger</b>
MODEL NO. <b>P2302VNM</b>	MFG. NO. <b>106753001</b>	

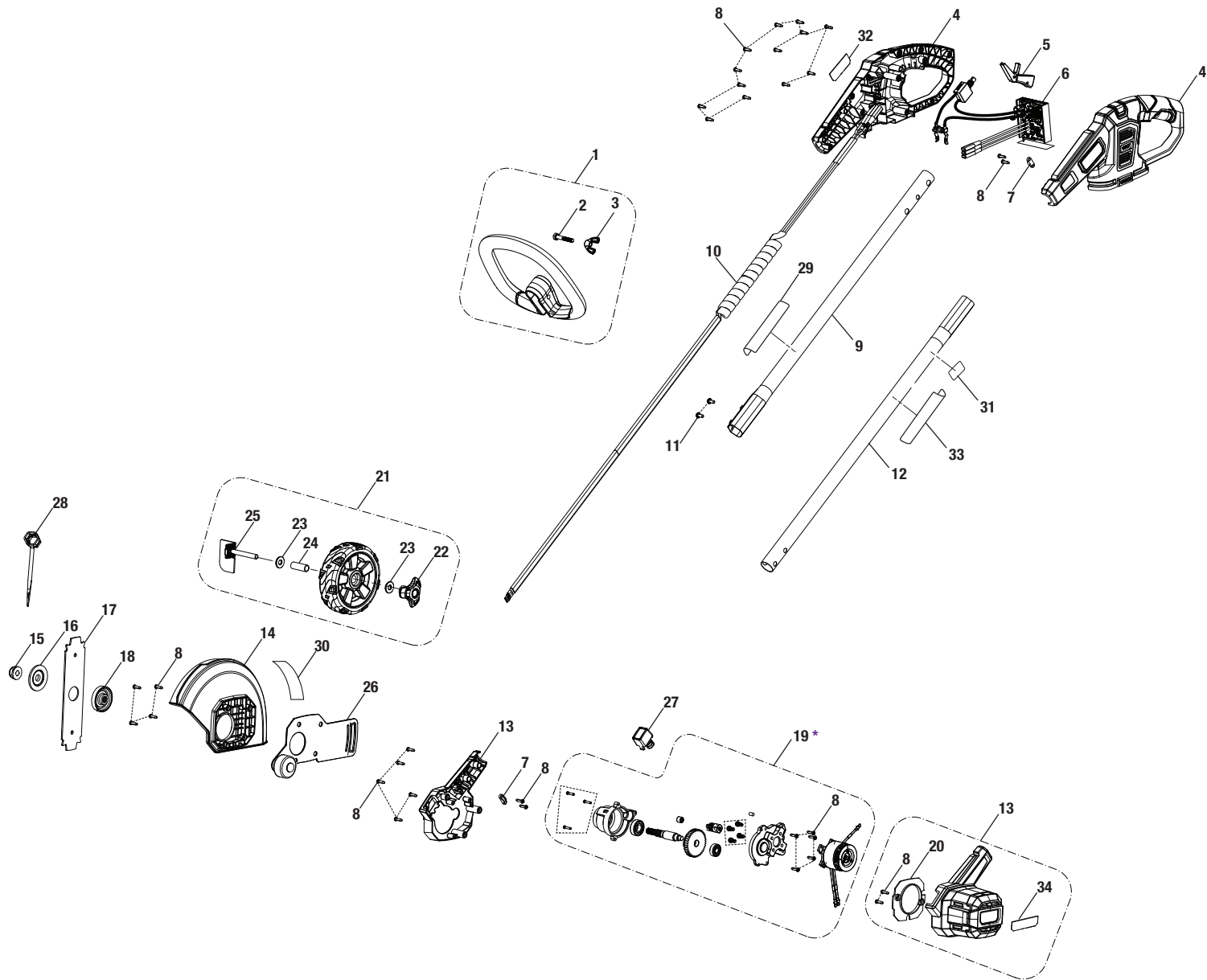


## TECHTRONIC INDUSTRIES POWER EQUIPMENT

P.O. Box 1288, Anderson, SC 29622 ■ 1-800-525-2579 ■ [www.ryobitools.com](http://www.ryobitools.com)

5-30-24 (Rev:01)

*The model number and manufacturing location will be found on a label attached to the product. Always mention this information in all communications regarding this product and when ordering parts.*



\* Part comes as a complete assembly. Individual components of an assembly will not be offered separately, unless listed in the Parts List.



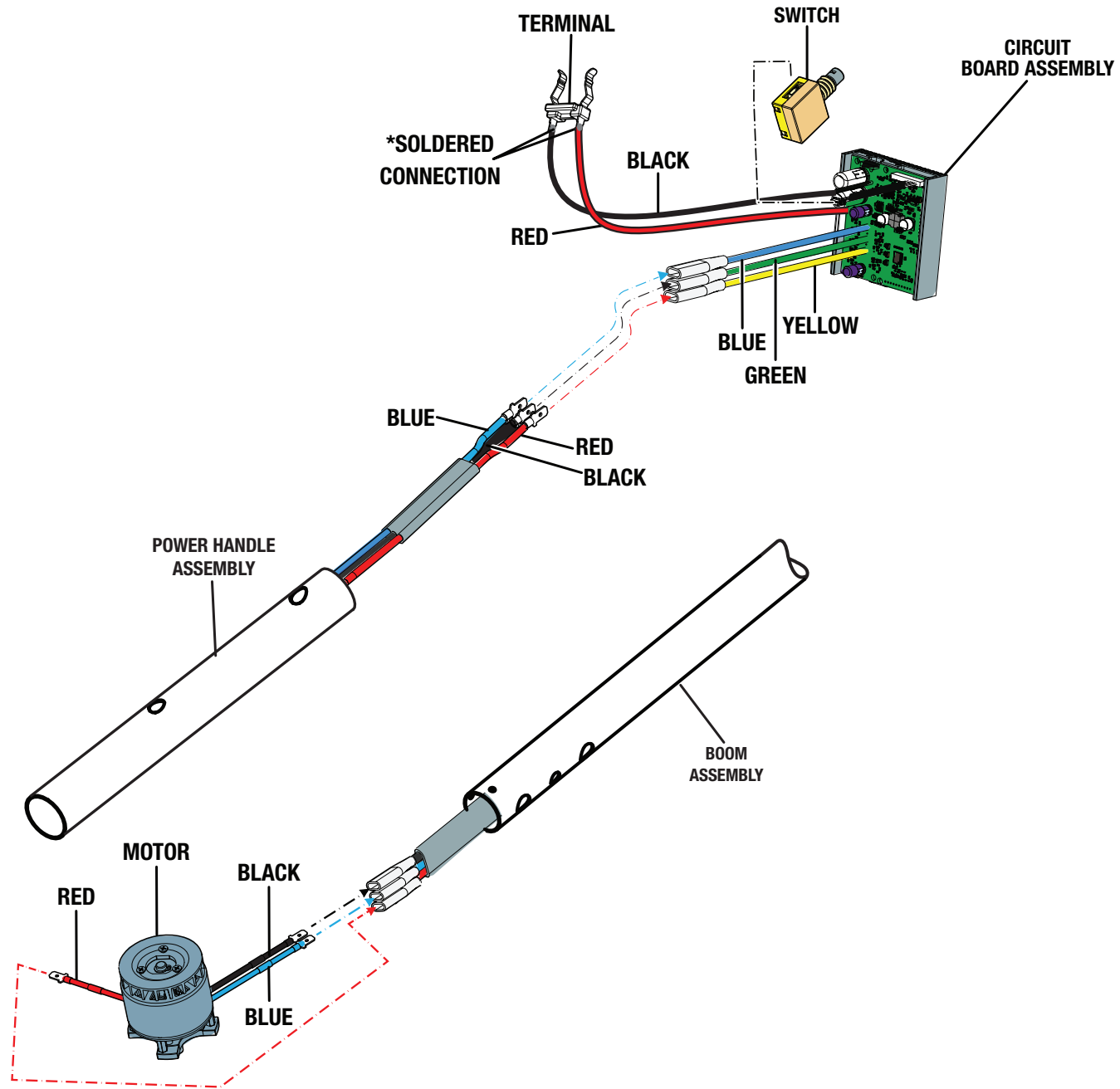
P2302VNM

PARTS LIST

KEY NO.	PART NO.	DESCRIPTION	QTY.
1	308991003	Auxiliary Handle Assembly (Inc. Key Nos. 2-3)	1
2	660643008	Screw (1/4"-20UNC x 1.606 mm)	1
3	518949001	Wing Nut (1/4-20)	1
4	205763002	Rear Handle Assembly (Inc. Key No. 32)	1
5	205747002	Trigger Assembly	1
6	205700003	Controller, Switch & Contact Plate Assembly	1
7	523001003	Cord Clip	2
8	661817001	Screw (M4 x 14 mm, T15 Torx Pan Hd.)	33
9	205733002	Upper Boom Assembly (Inc. Key No. 29)	1
10	770514001	Wiring Harness	1
11	660502002	Screw (M5 x11.1 mm, Pan Hd.)	2
12	205734002	Lower Boom Assembly (Inc. Key Nos. 31& 33)	1
13	205761002	Motor Housing Assembly (Inc. Key No. 8, 20 & 34)	1
14	205664002	Guard Assembly (Inc. Key Nos. 30)	1
15	674439001	Flange Nut (M10 x 11.4 mm)	1
16	613072001	Washer	1
17	638006013	Blade	1
18	678011001	Flange Washer	1

KEY NO.	PART NO.	DESCRIPTION	QTY.
19*	220364004	Motor and Gear Box Assembly (Inc. Key No. 8)	1
20	549438001	Baffle	1
21	205986003	Wheel Assembly (Inc. Key Nos. 22-25)	1
22	541821007	Wing Nut (M8)	1
23	636233001	Washer (OD 8.5 x ID 20.5 x 2t)	2
24	695528002	Spacer	1
25	319619001	Foot Block	1
26	205135007	Bracket Assembly	1
27	205924002	Blade Lock Button Assembly	1
28	308369001	Combination Wrench	1
29	941263311	Icon Warning Label	1
30	941263312	Guard Icon Label	1
31	941263314	QR Label	1
32	941263315	Data Label	1
33	941056027	Warning Label (FR / SP)	1
34	940705562	Brushless Label	1
	<b>Not shown:</b>		
	999000165	Operator's Manual	

\* Part comes as a complete assembly. Individual components of an assembly will not be offered separately, unless listed in the Parts List.



**WIRING DIAGRAM**