

RYOBI
18 VOLT DRYWALL SCREWDRIVER
MODEL NUMBER P225
REPAIR SHEET

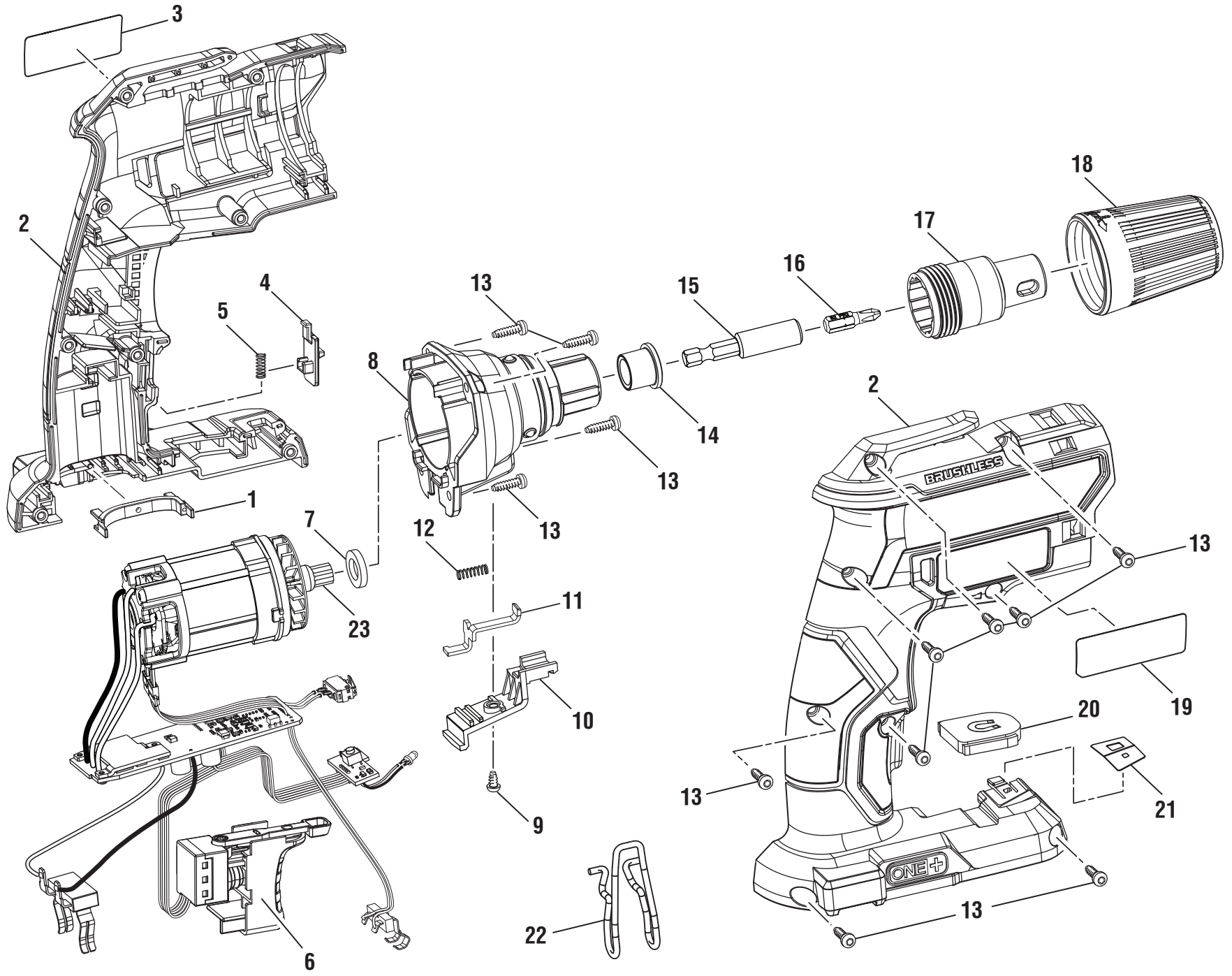
ONE WORLD TECHNOLOGIES, INC.

1428 Pearman Dairy Road, Anderson, SC 29625

Phone 1-800-525-2579

www.ryobitools.com

RYOBI 18 VOLT DRYWALL SCREWDRIVER - MODEL NUMBER P225



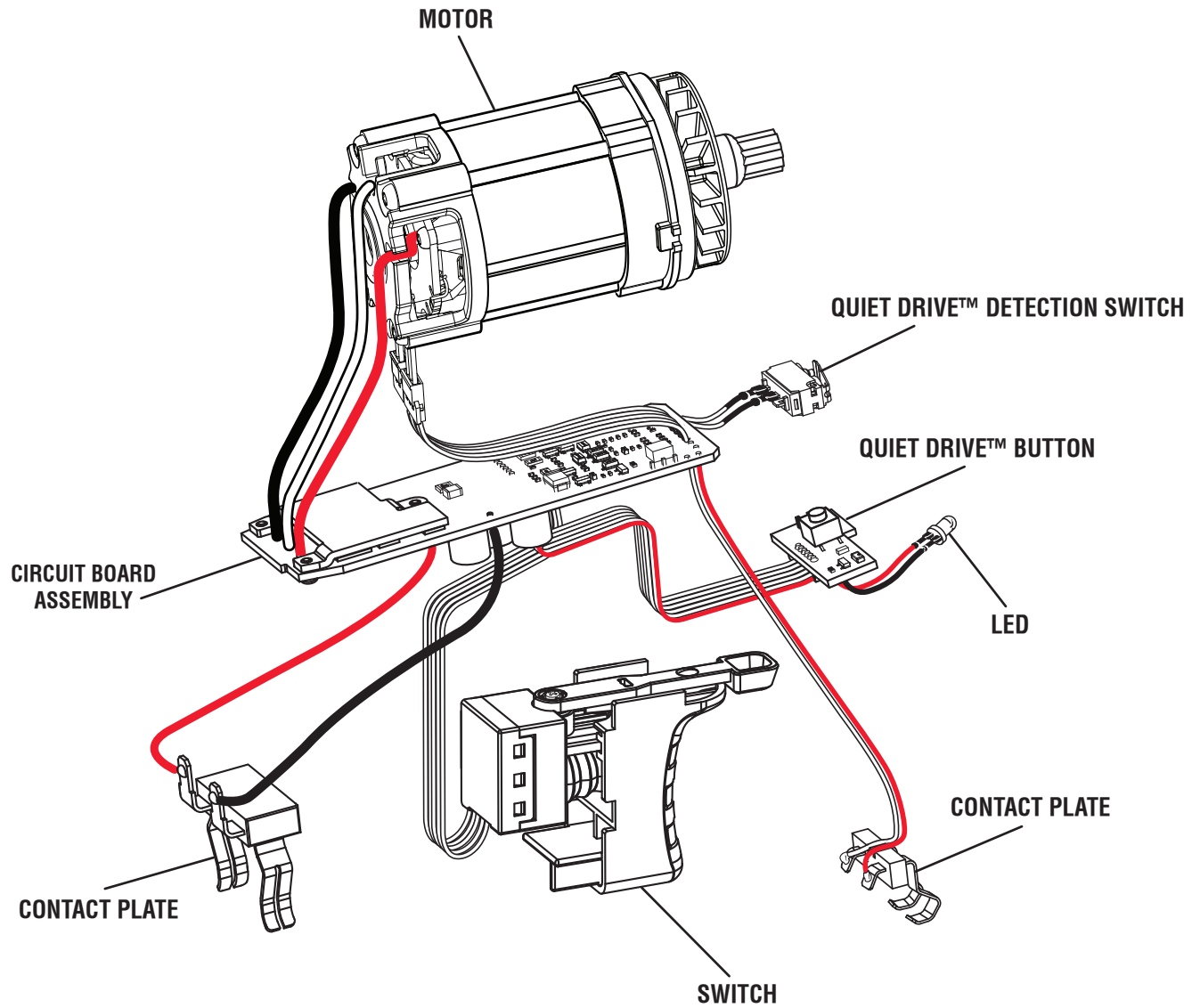
RYOBI 18 VOLT DRYWALL SCREWDRIVER – MODEL NUMBER P225

The model number will be found on a label attached to the motor housing. Always mention the model number in all correspondence regarding your **DRYWALL SCREWDRIVER** or when ordering repair parts.

PARTS LIST

KEY NO.	PART NUMBER	DESCRIPTION	QTY	KEY NO.	PART NUMBER	DESCRIPTION	QTY
1	534471001	D-Tech Wire Cover	1	14	532575002	Bit Release Button.....	1
2	204988001	Housing Assembly (Inc. Key Nos. 3 and 19)	1	15	696764001	Bit Holder	1
3	941655026	Logo Label.....	1	16	696836001	Bit (PR2 x 25 mm)	1
4	534370001	Lock-on Button	1	17	340215002	Adjustment Sleeve Assembly.....	1
5	695350001	Compression Spring.....	1	18	340214002	Locking Sleeve	1
6	204989001	Switch, Contact Plate, and Circuit Board Assembly.....	1	19	941121953	Data Label	1
7	903387001	Felt Seal.....	1	20	303001052	Magnet	1
8	204990001	Gear w/Gear Cover Assembly.....	1	21	941001648	LED Indicator Label.....	1
9	T662385001	Screw (M3 x 5 mm, T10 Torx Pan Hd.).....	1	22	696626001	Belt Hook.....	1
10	534372001	Gear Box Cover.....	1	23	206738001	Motor w/Pinion.....	1
11	635536001	Push To Drive Lever.....	1	NOT SHOWN:			
12	696074001	Compression Spring.....	1	995000372	Operator's Manual (961151068)		
13	660031017	Screw (M3.5 x 16 mm, T10 Torx Pan Hd.).....	12	12-18-19			
				(Rev:03)			

RYOBI 18 VOLT DRYWALL SCREWDRIVER – MODEL NUMBER P225



WIRING DIAGRAM