

# REPAIR SHEET

BRAND

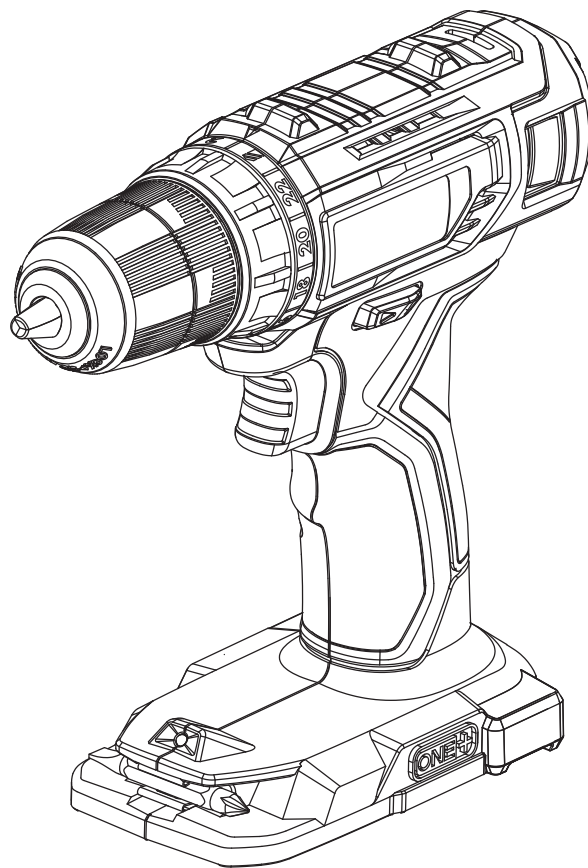
**RYOBI**

DESCRIPTION

**18 Volt 3/8 in. Drill-Driver**

MODEL NO.

**P209D**

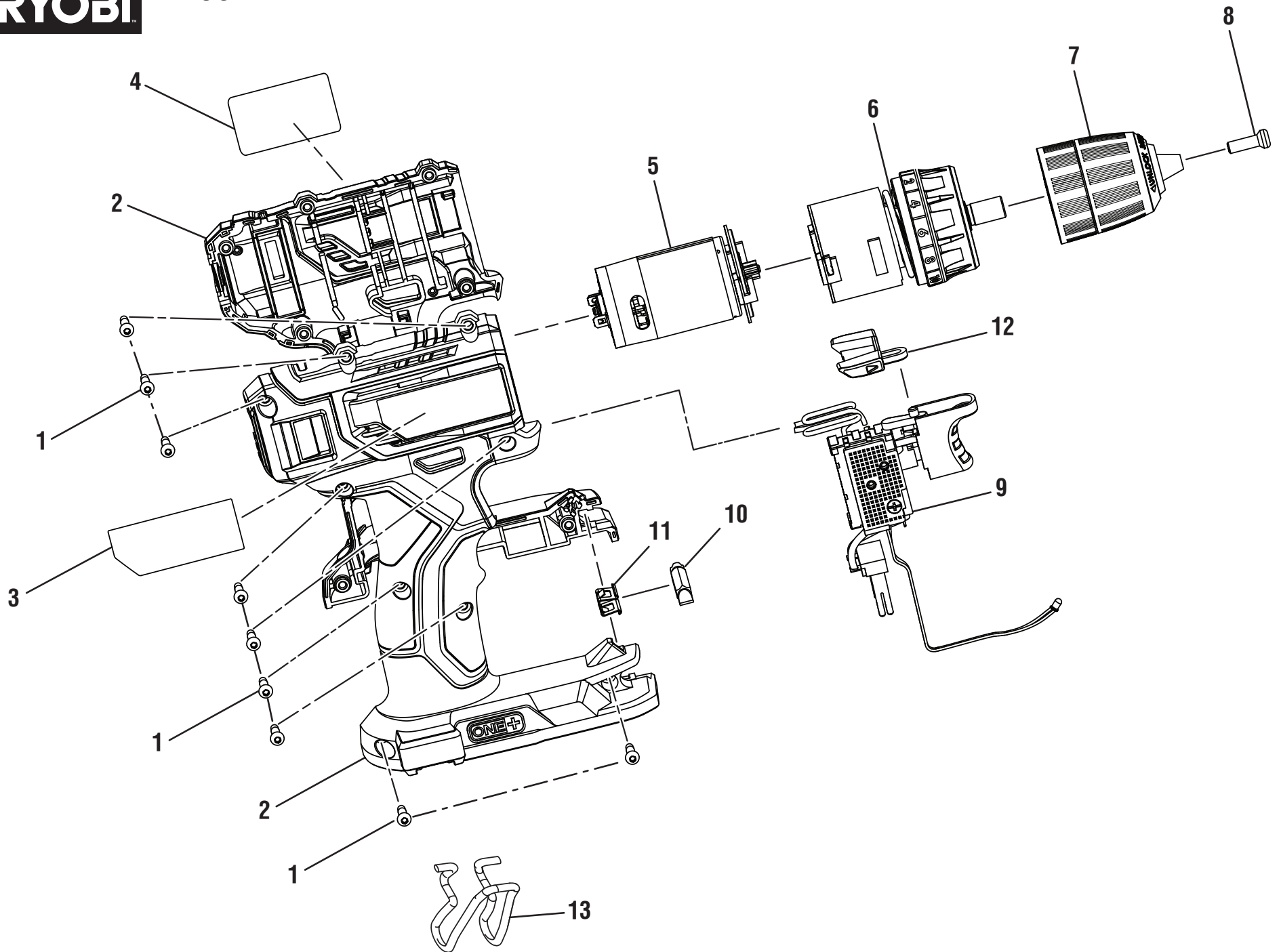


**TTI CONSUMER POWER TOOLS, INC.**

P.O. Box 1288, Anderson, SC 29622 ■ 1-800-525-2579 ■ [www.ryobitools.com](http://www.ryobitools.com)

4-18-22 (Rev:03)

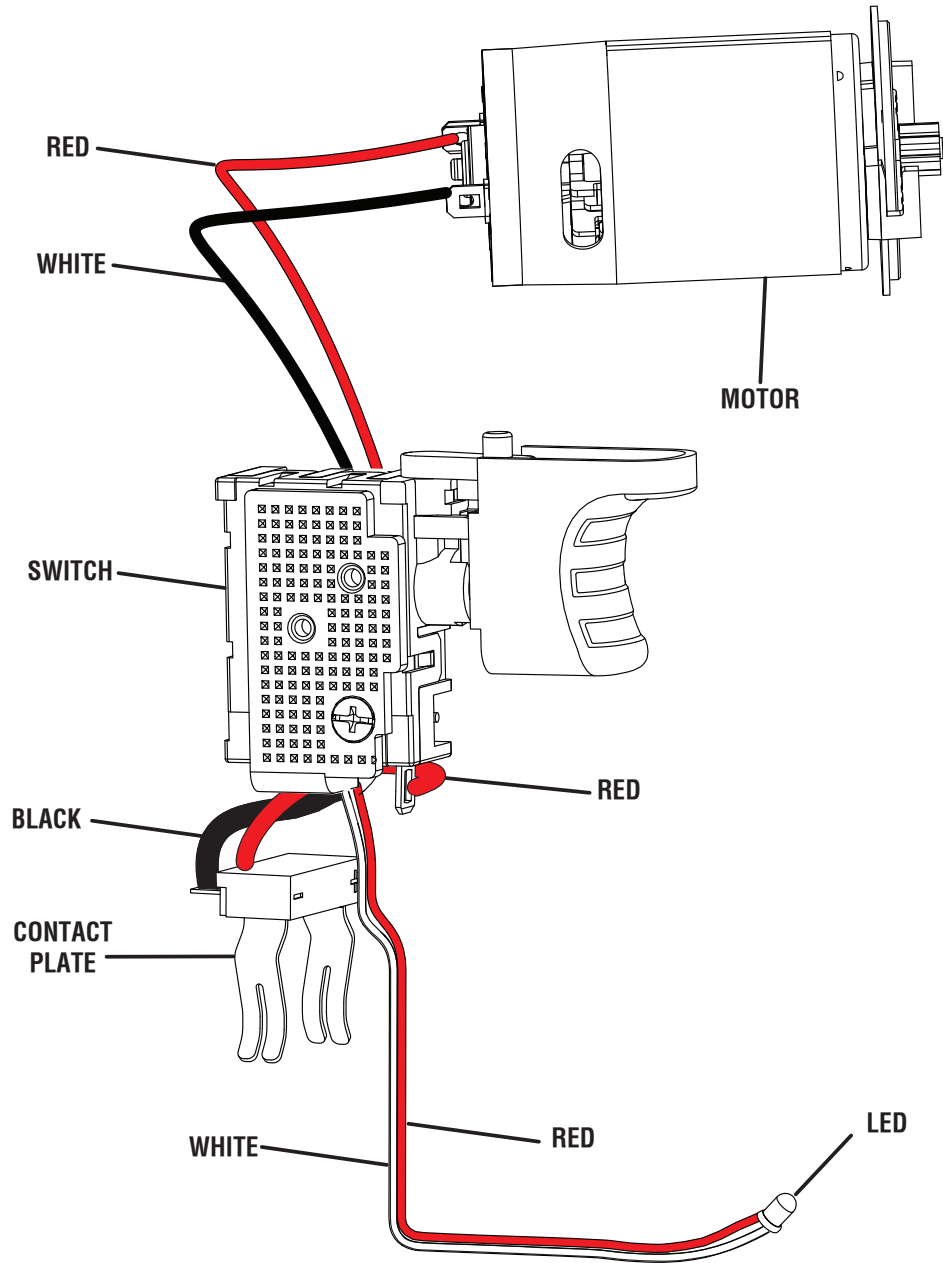
*The model number and manufacturing location will be found on a label attached to the product. Always mention this information in all communications regarding this product and when ordering parts.*



### PARTS LIST

KEY NO.	PART NO.	DESCRIPTION	QTY.
1	660031018	Screw (M3 x 14 mm, T10 Torx PH)	9
2-CN	204101009	Housing Assembly (Inc. Key Nos. 3-4)	1
2-VN	204101008	Housing Assembly (Inc. Key Nos. 3-4)	1
3-CN	941122926	Data Label	1
3-VN	941122520	Data Label	1
4	941655039	Logo Label	1
5-CN	206101003	Motor & Pinion Assembly	1
5-VN	206101005	Motor & Pinion Assembly	1
6-CN	206101004	Gear Box & Clutch Cap Assembly	1
6-VN	206101006	Gear Box & Clutch Cap Assembly	1

KEY NO.	PART NO.	DESCRIPTION	QTY.
7	670743004	Chuck	1
8	660120002	Screw (M5 x 21 mm)	1
9	270016231	Switch & Terminal Block Assembly	1
10	670820045	Double Bit	1
11	630206007	Bit Clip	1
12	539618001	Forward/Reverse Button	1
13	696626001	Belt Clip (Not Included)	1
	<b>Not Shown:</b>		
	998000021	Operator's Manual (961153242)	



**WIRING DIAGRAM**