

REPAIR SHEET

BRAND

RYOBI

DESCRIPTION

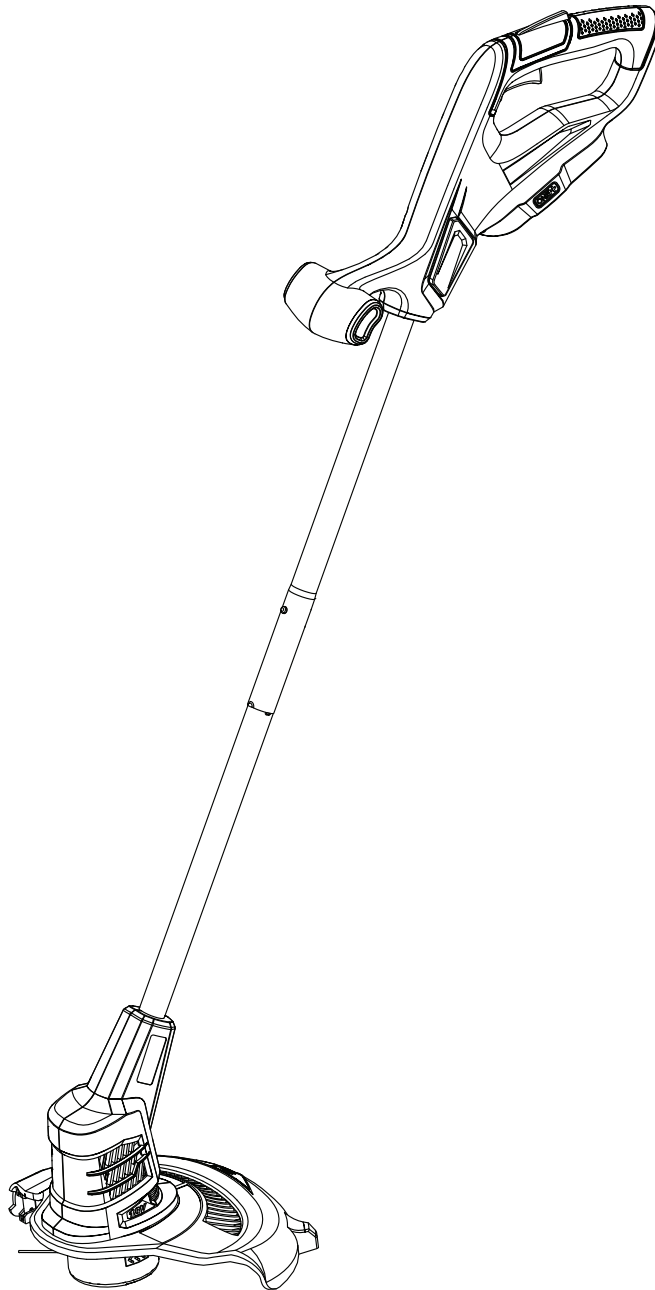
MODEL NO.

P20103
P20103VNM

MFG. NO.

107890024
107890101

18 Volt
String Trimmer/Edger

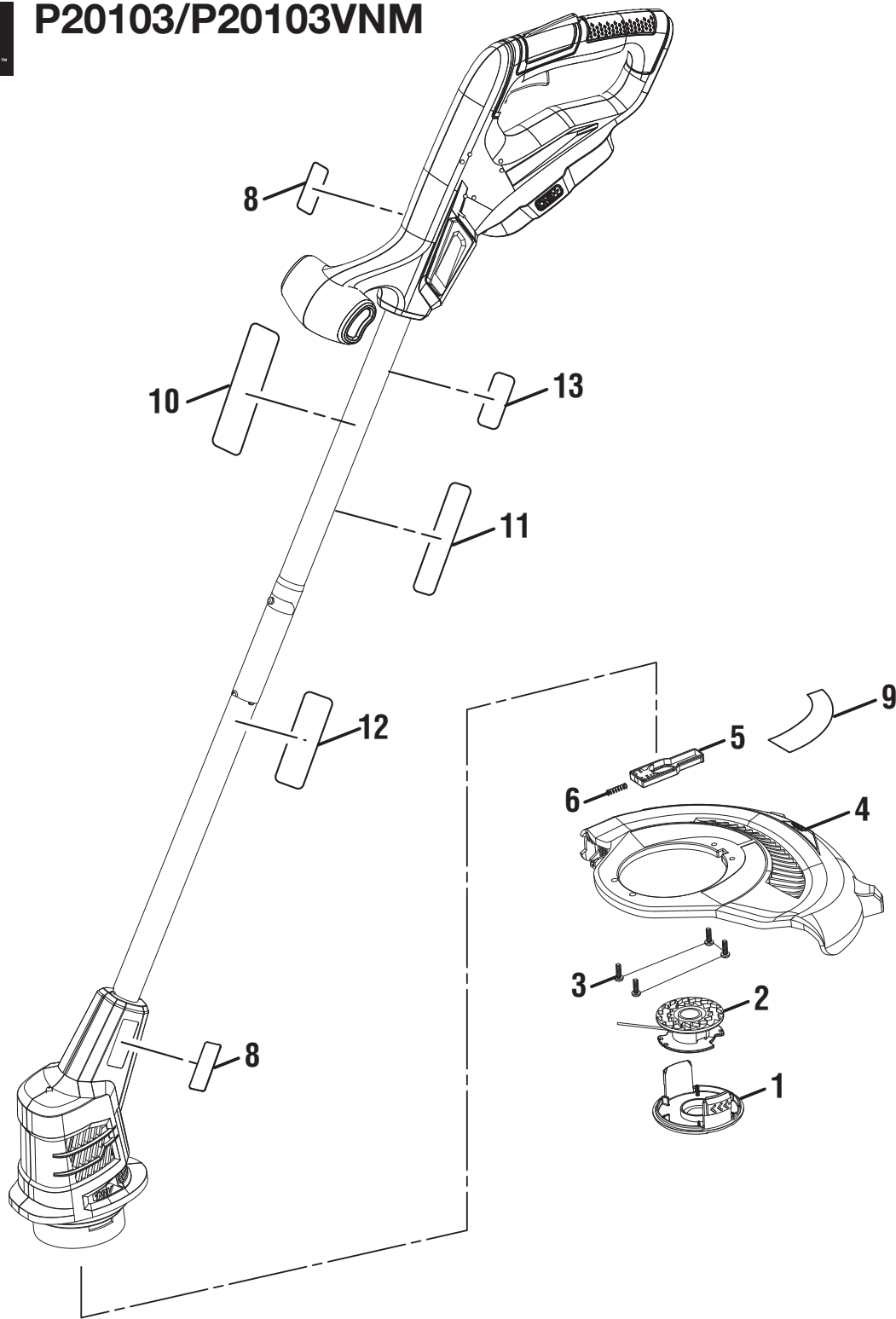


TECHTRONIC INDUSTRIES POWER EQUIPMENT

P.O. Box 1288, Anderson, SC 29622 ■ 1-800-525-2579 ■ www.ryobitools.com

10-7-21 (Rev:06)

The model number and manufacturing location will be found on a label attached to the product. Always mention this information in all communications regarding this product and when ordering parts.



PARTS LIST

KEY NO.	PART NO.	DESCRIPTION	QTY.
1	522994006	Spool Cap (AC14HC)	1
2	310917009	Spool w/Line	1
3	660208055	Screw (M4 x 12 mm, Pan Hd.)	4
4	313564002	Guard w/Blade Assembly (Inc. Key Nos. 3 & 9)	1
5	310920001	Slider Assembly	1
6	679034001	Compression Spring	1
8	940114179	Logo Label	2

KEY NO.	PART NO.	DESCRIPTION	QTY.
9	941588460	Autofeed No Bump Guard Label	1
10	941013004	Warning Icons Label	1
11	941013005	Warning Label (French/Spanish)	1
12	941588459	Data Label (P20103)	1
	941097014	Data Label (P20103VNM)	1
13	941097015	QR Label	1
	Not Shown:		
	995000977	Operator's Manual	